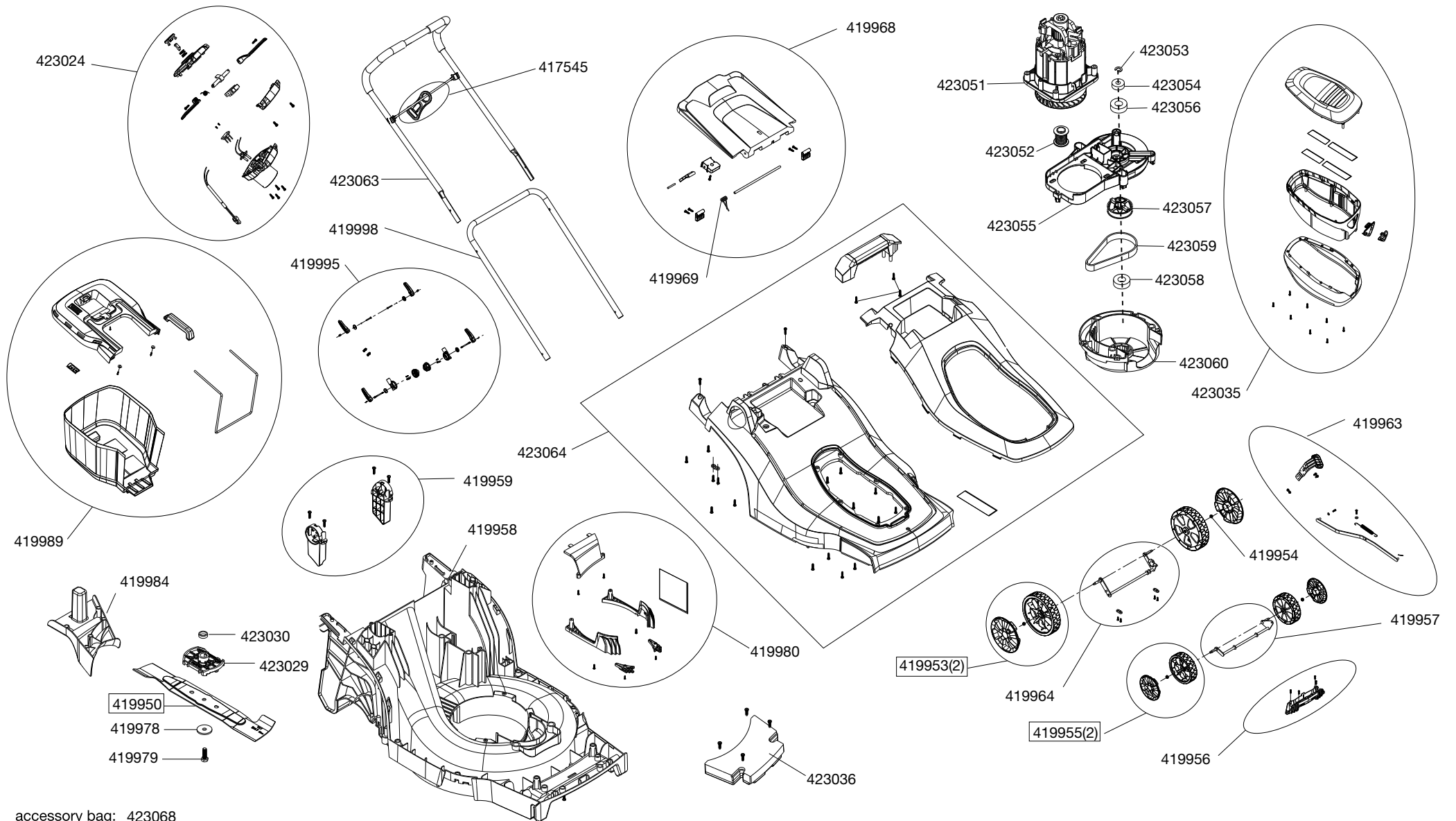


# Elektro-Rasenmäher 38.2 E Comfort

Art. Nr. 113 852

# AL-KO



accessory bag: 423068

a	b	c	d	e	f
---	---	---	---	---	---