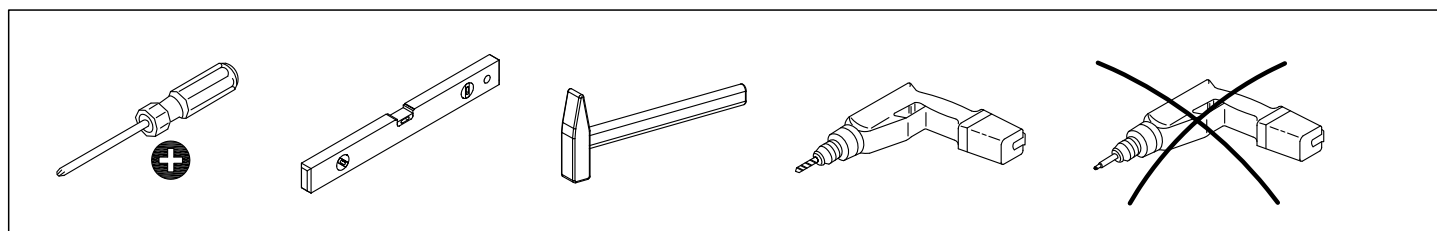
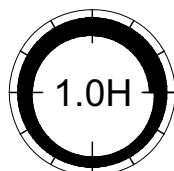
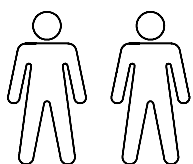
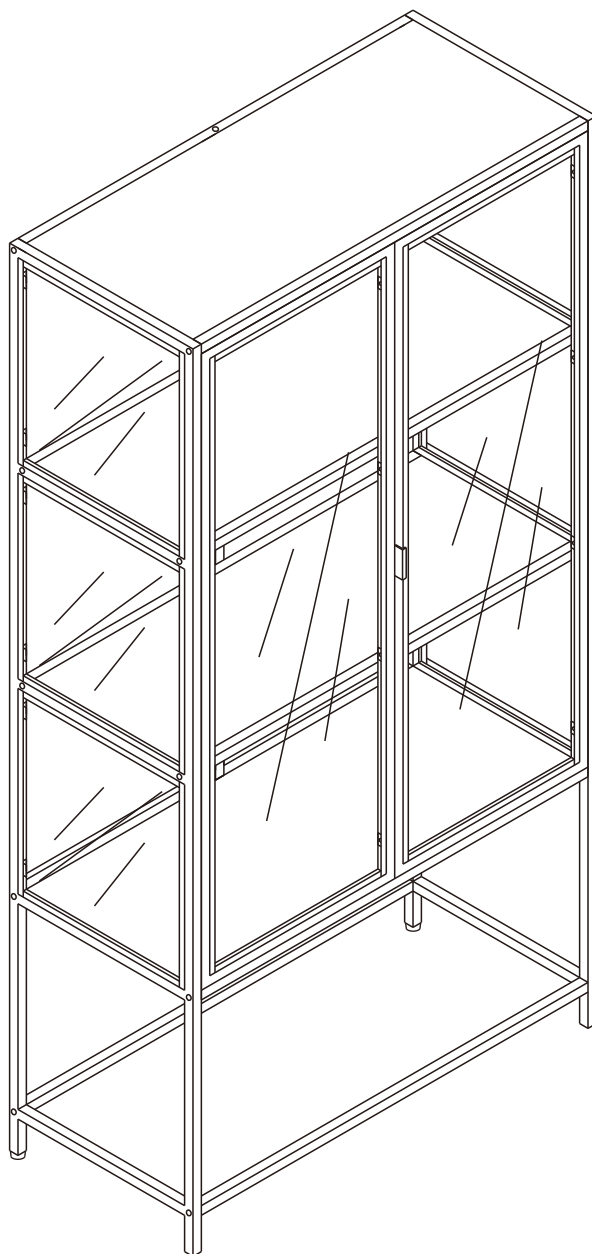
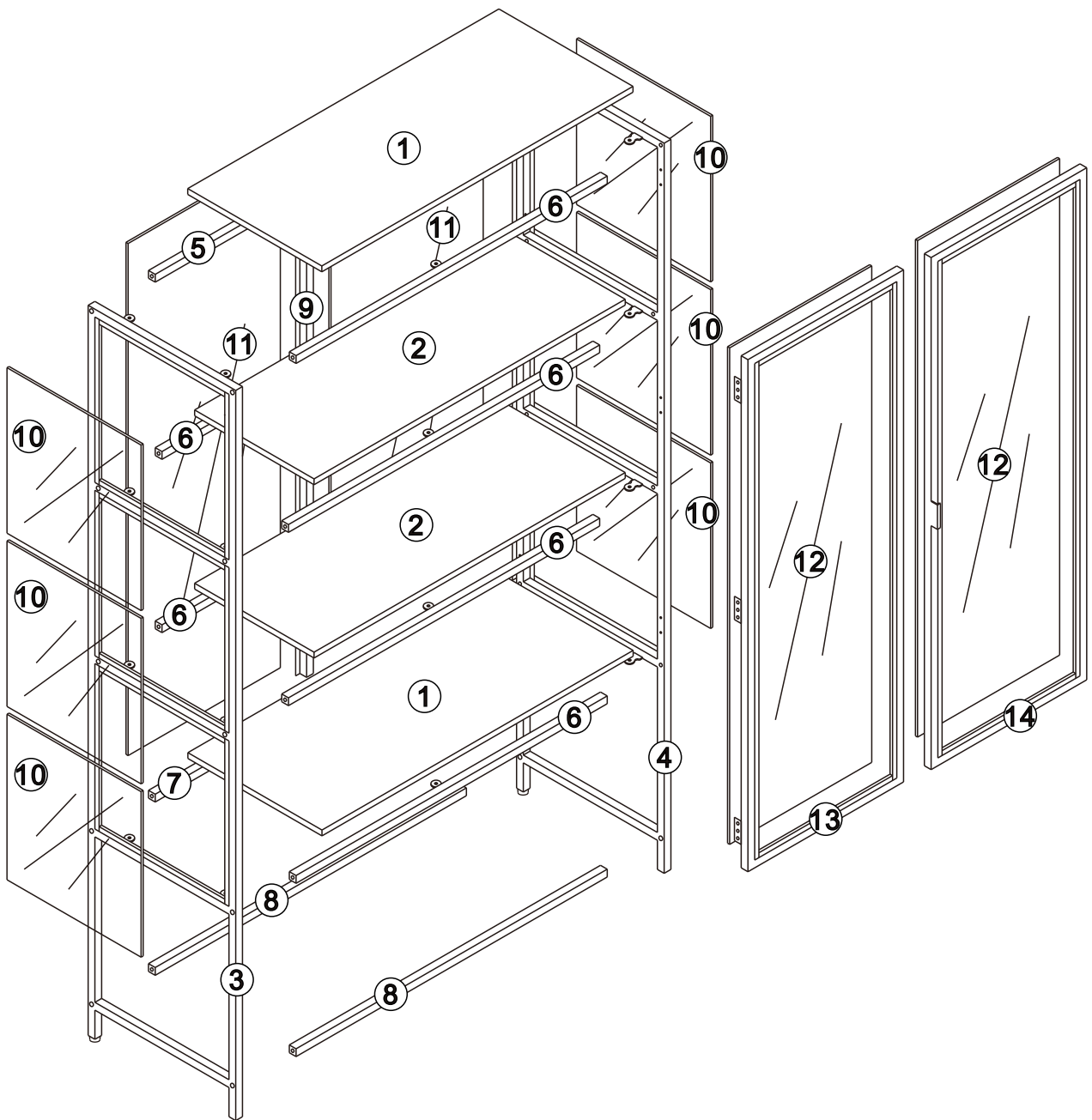


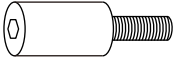
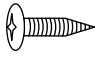
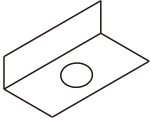




# SEAFORD




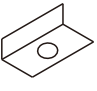
			✓
①	2	735x315x12mm	
②	2	735x282x12mm	
③	1	1500x350x42mm	
④	1	1500x350x42mm	
⑤	1	738x42x26mm	
⑥	6	738x42x16mm	
⑦	1	738x42x16mm	

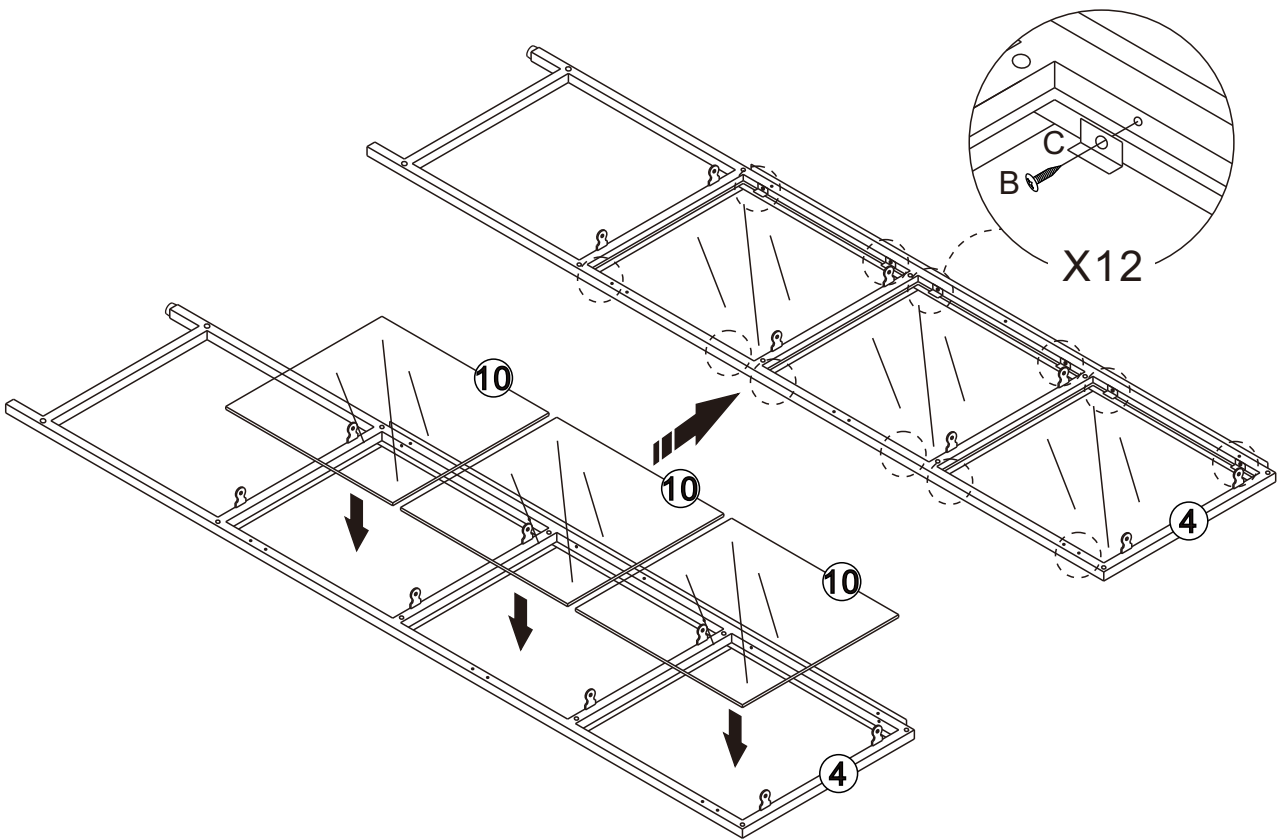
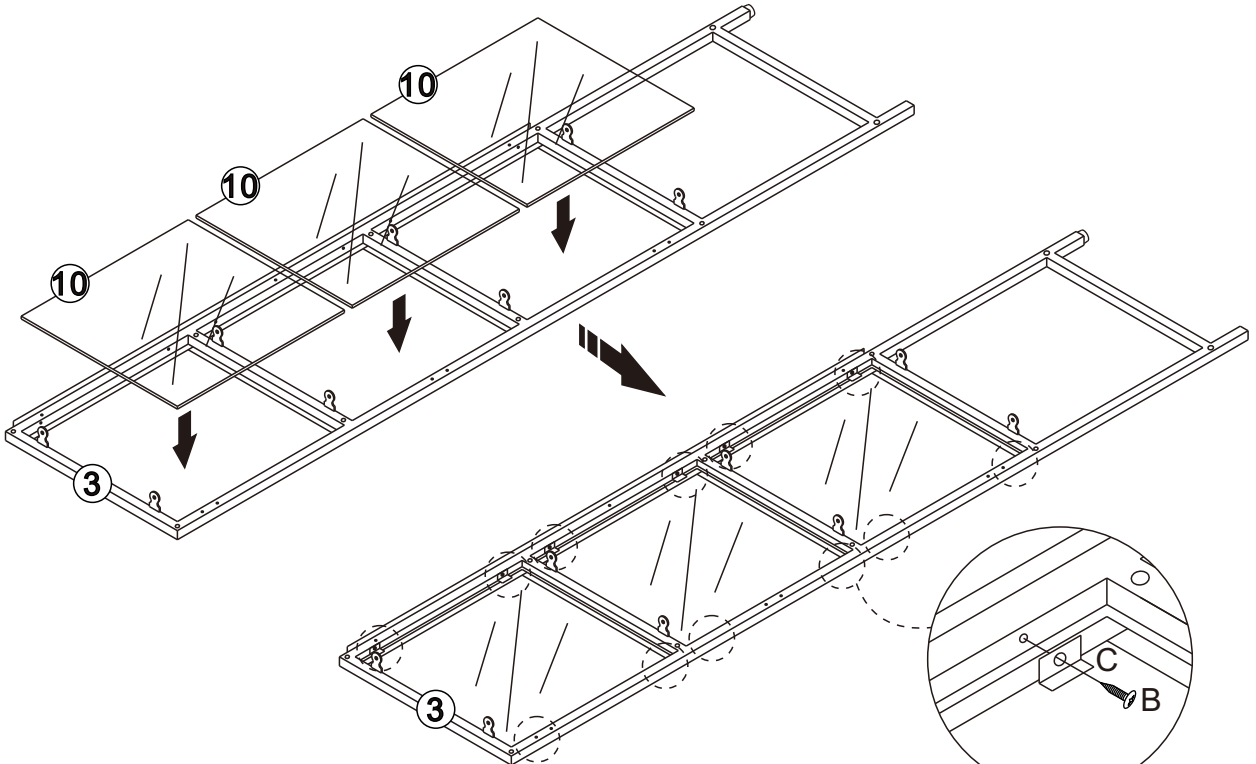
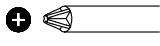
			✓
⑧	2	738x16x16mm	
⑨	1	1052x36x16mm	
⑩	6	337x314x5mm	
⑪	2	1050x355x5mm	
⑫	2	1015x328x5mm	
⑬	1	1047x363x16mm	
⑭	1	1047x363x16mm	





<p>A x 22</p>  <p>M6x15 mm</p>	<p>B x 88</p>  <p>M4x12 mm</p>	<p>C x 52</p>  <p>20x10x6 mm</p>	<p>D x 2</p>  <p>M3.5x12 mm</p>	<p>E x 2</p>  <p>Ø15</p>
<p>F x 2</p>  <p>Ø15</p>	<p>G x 1</p>  <p>M4</p>			

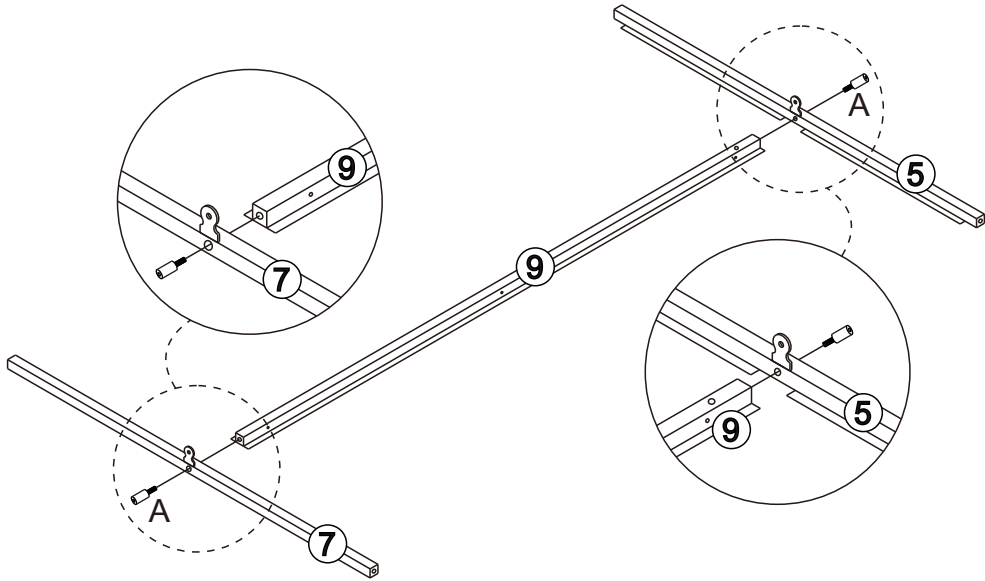
# 1

B x 24	C x 24
	
M4x12 mm	20x10x6 mm





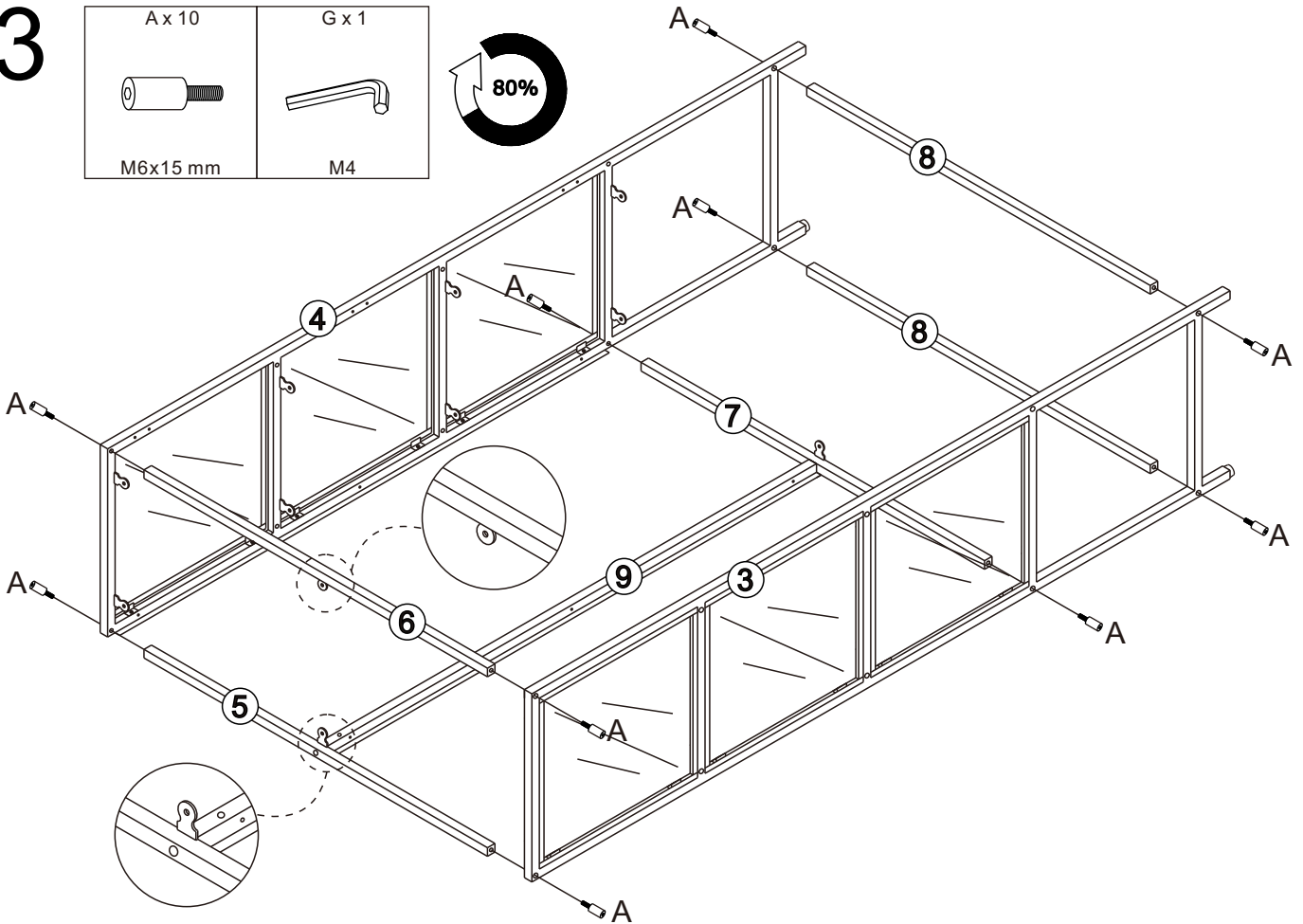
# 2

A x 2	G x 1
	
M6x15 mm	M4





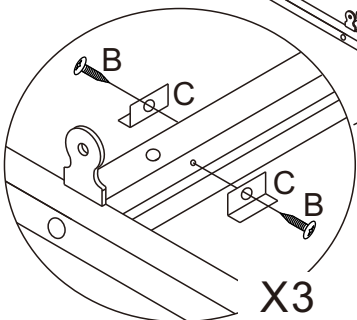
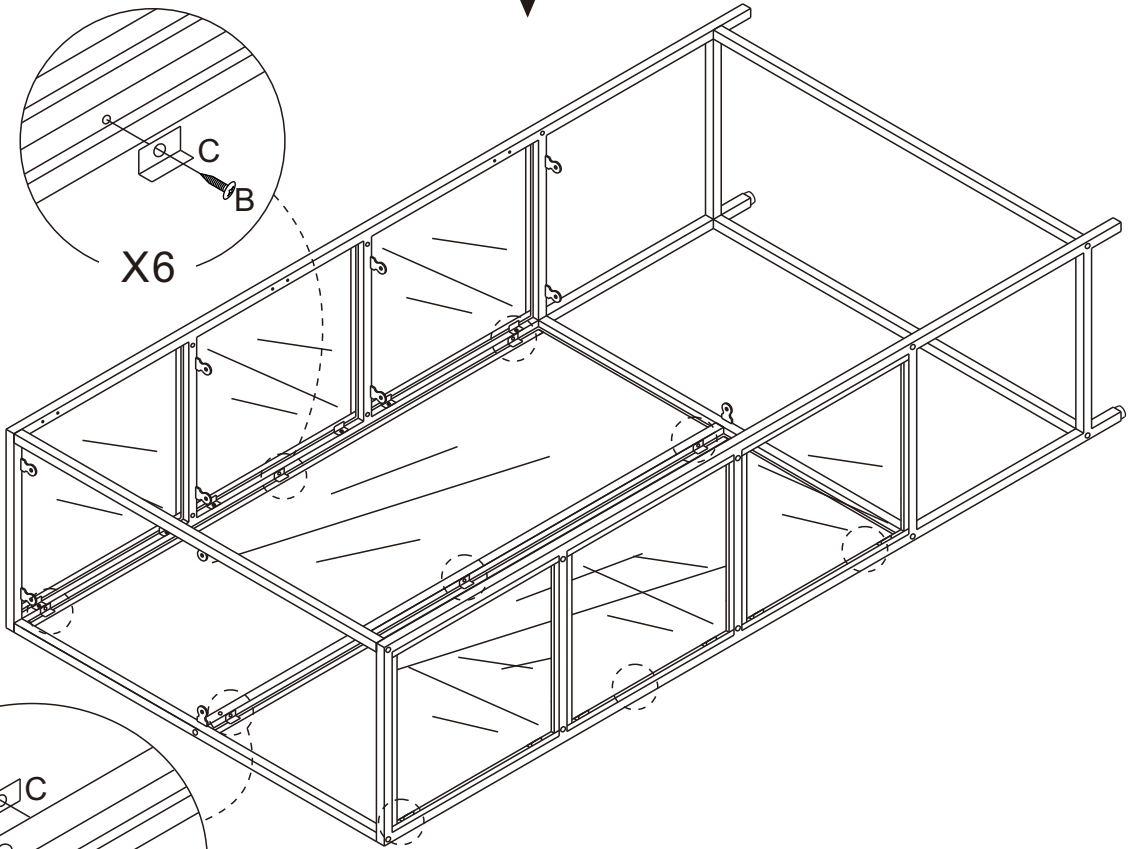
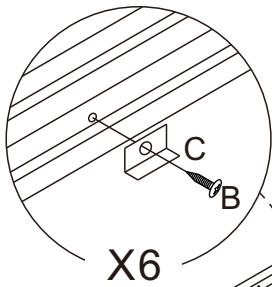
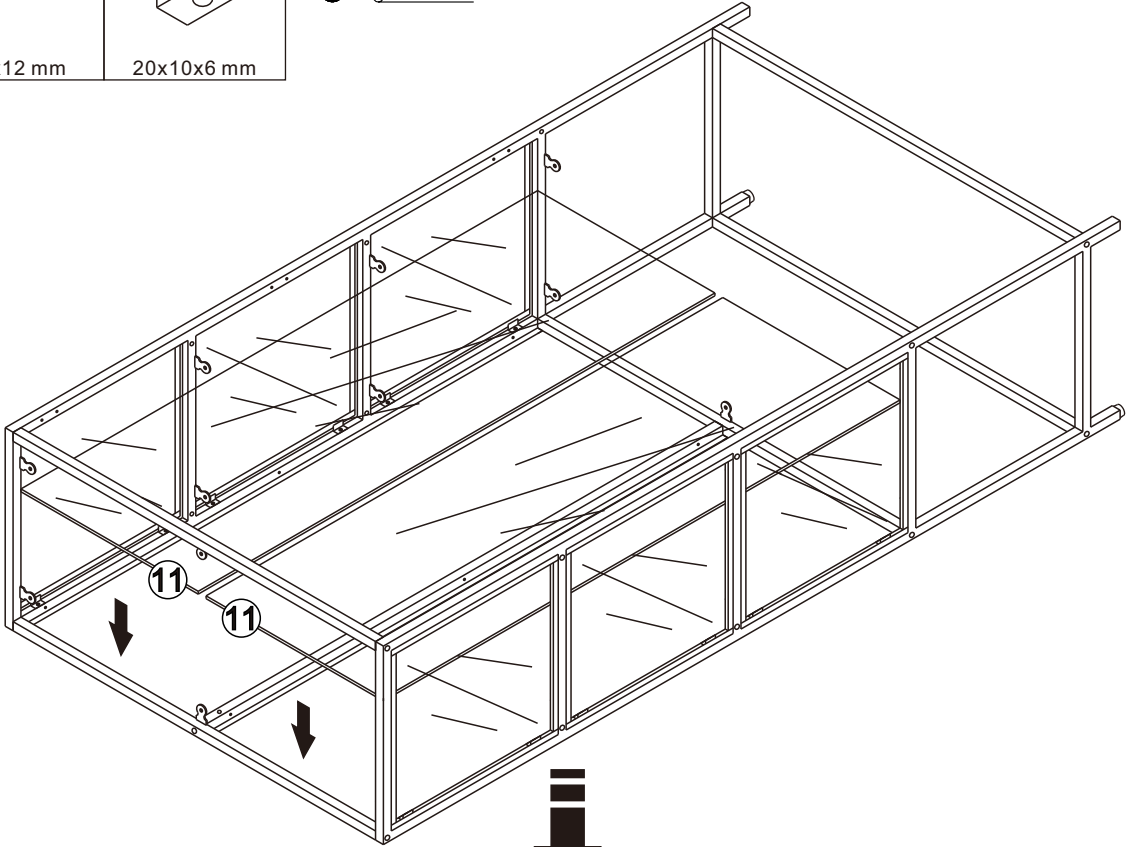
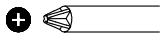
# 3

A x 10	G x 1
	
M6x15 mm	M4





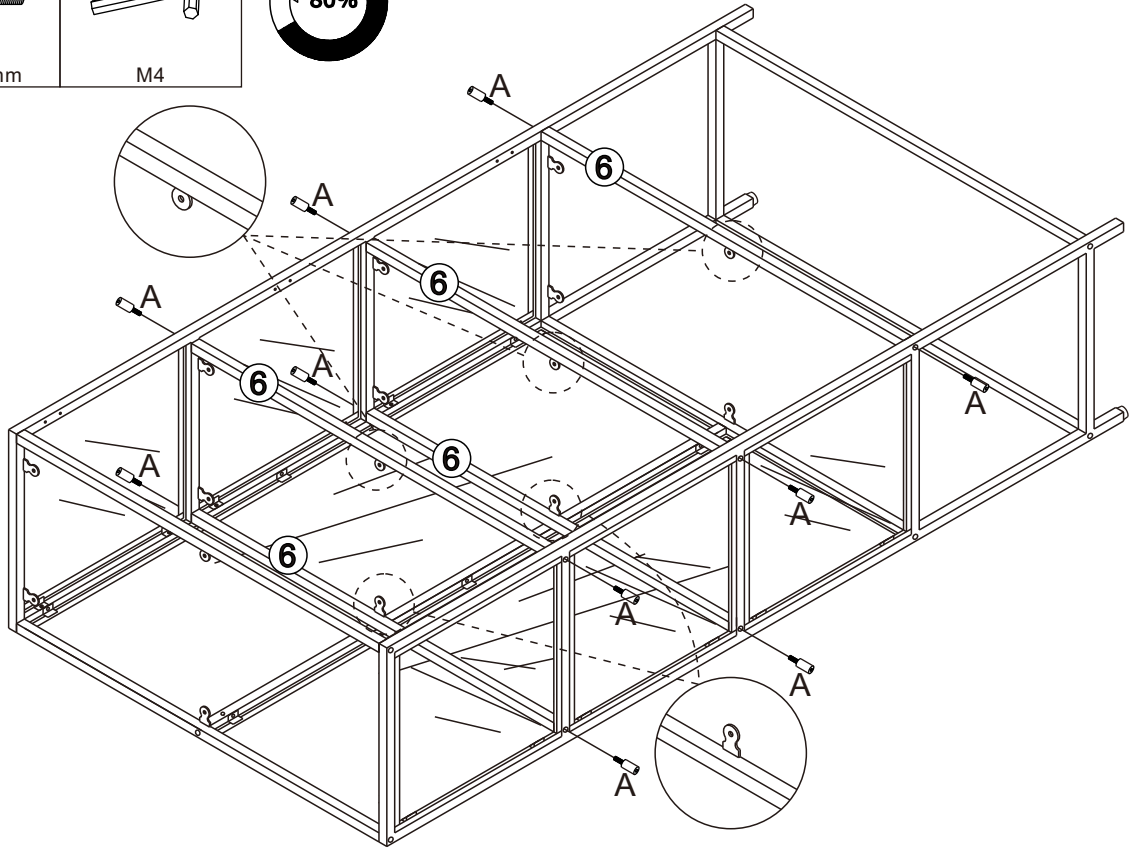
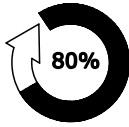
4

B x 12	C x 12
	
M4x12 mm	20x10x6 mm





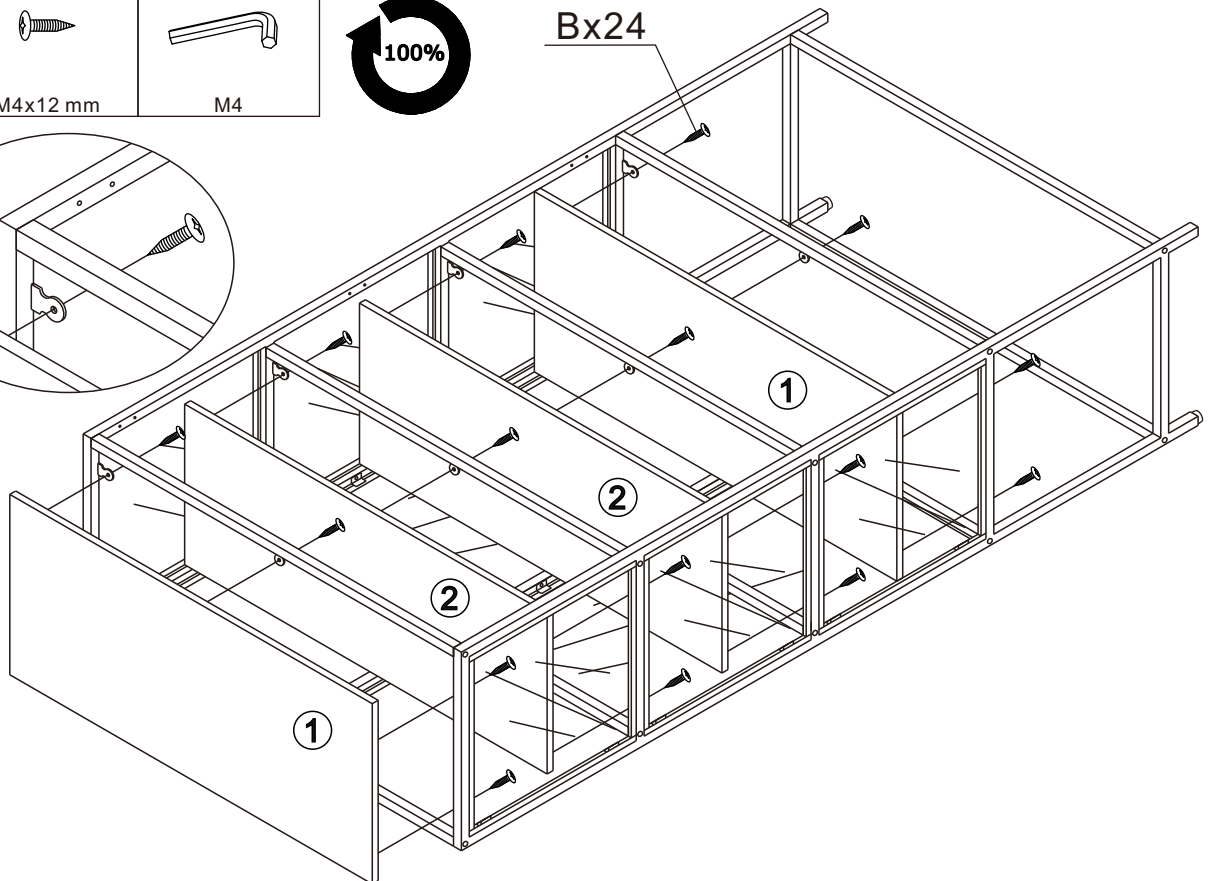
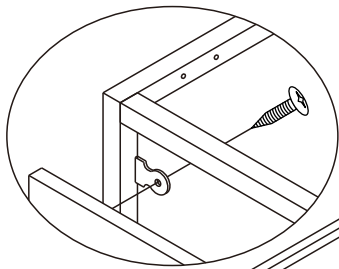
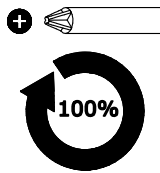
# 5

A x 10	G x 1
	
M6x15 mm	M4








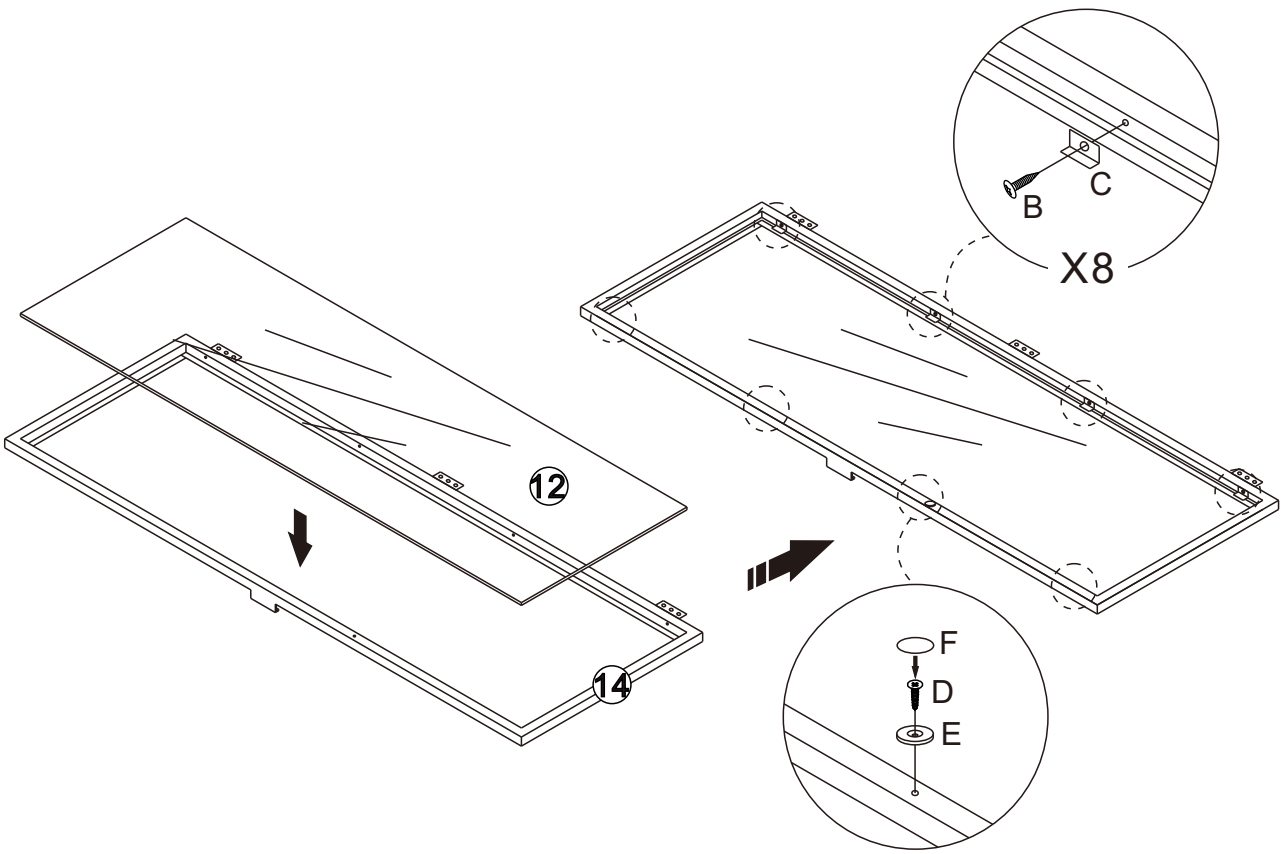
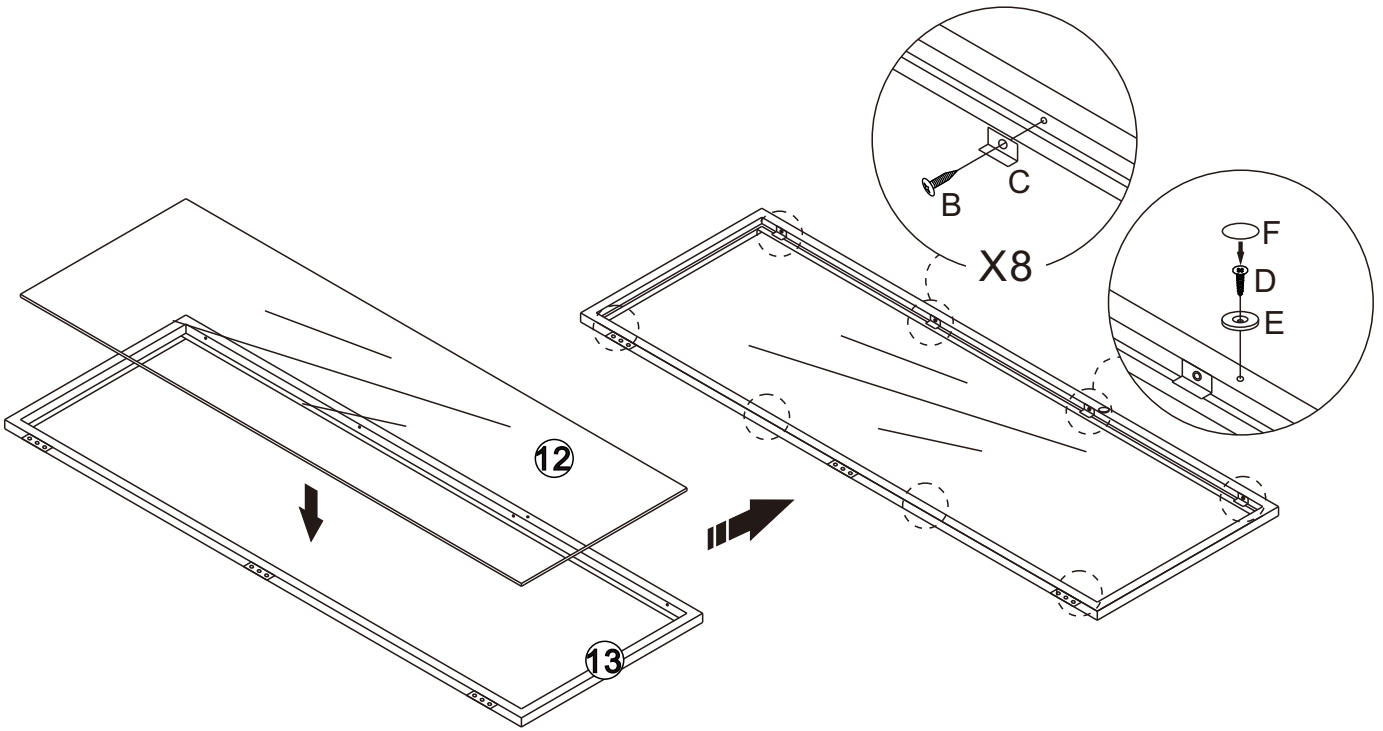
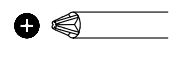
# 6

B x 24	G x 1
	
M4x12 mm	M4



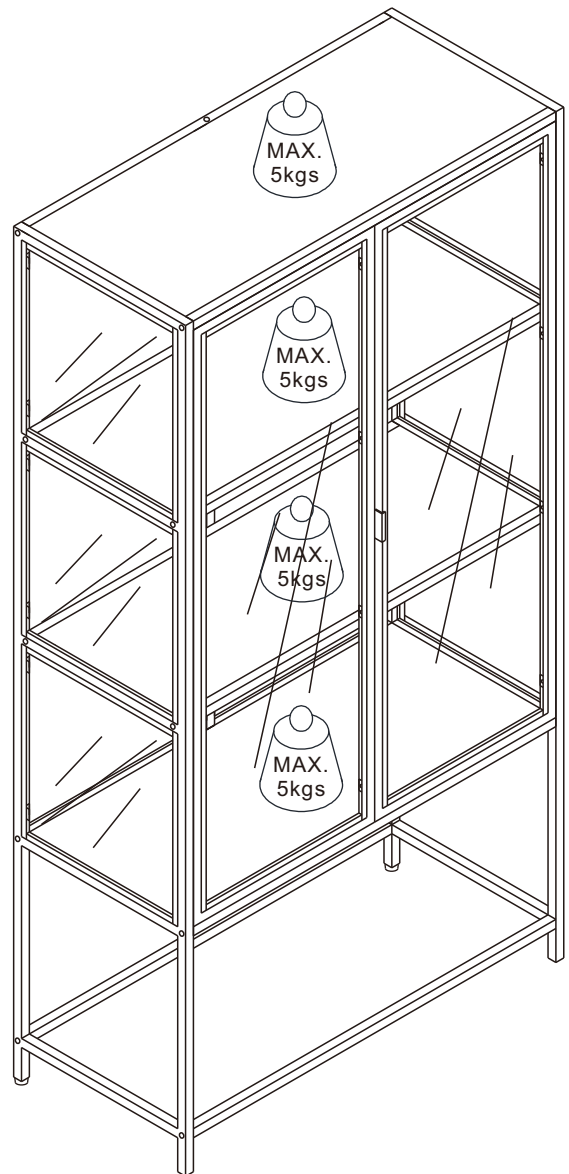
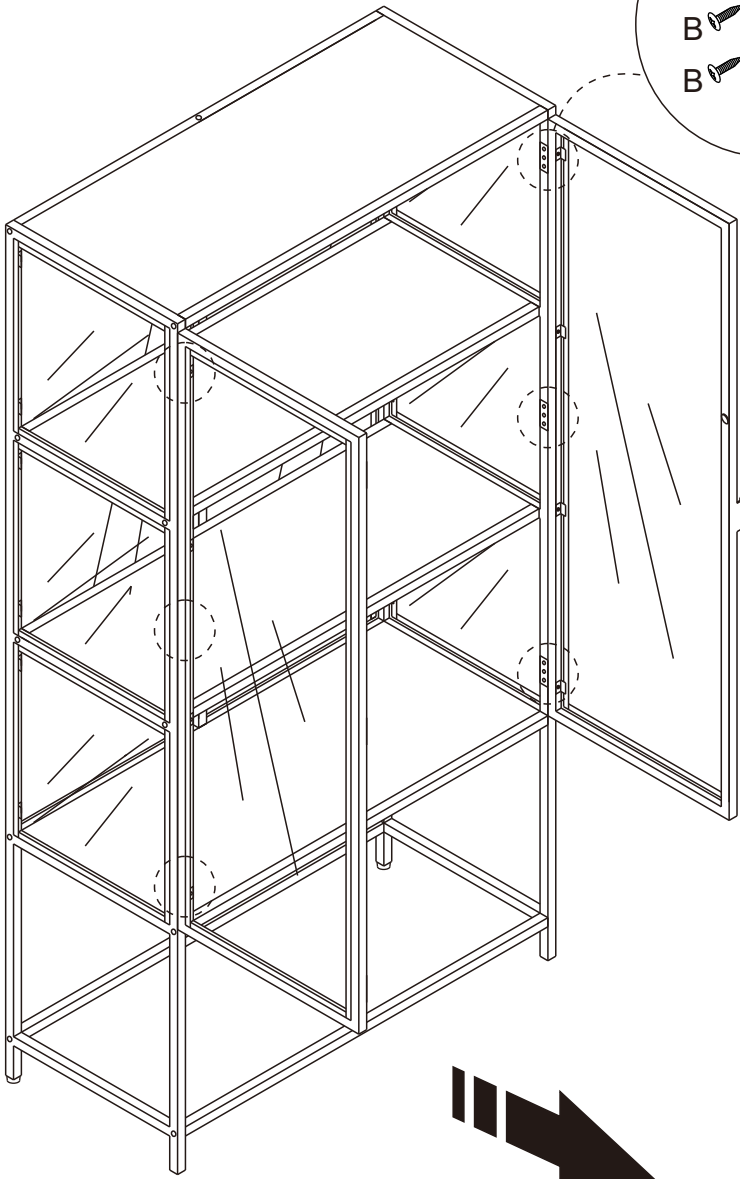
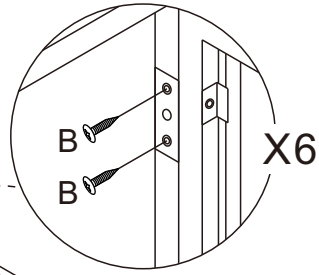
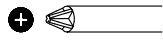
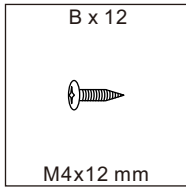
# 7

B x 16  M4x12 mm	C x 16  20x10x6 mm	D x 2  M3.5x12 mm	E x 2  Ø15	F x 2  Ø15
---	---	--	---	--





8



9

