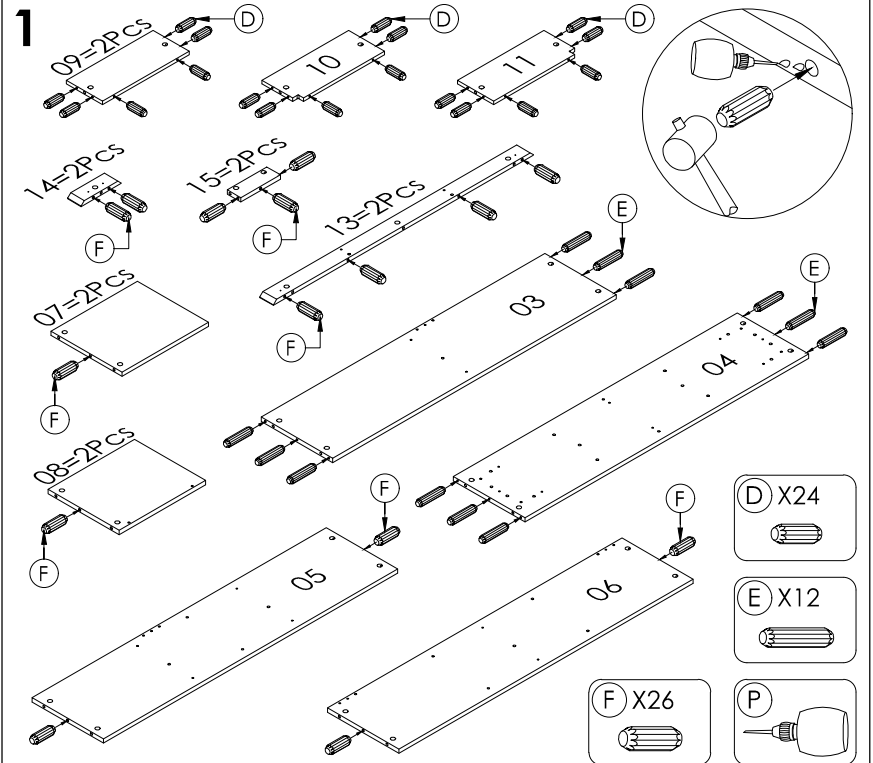
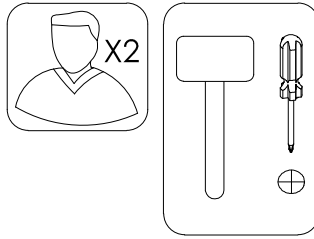
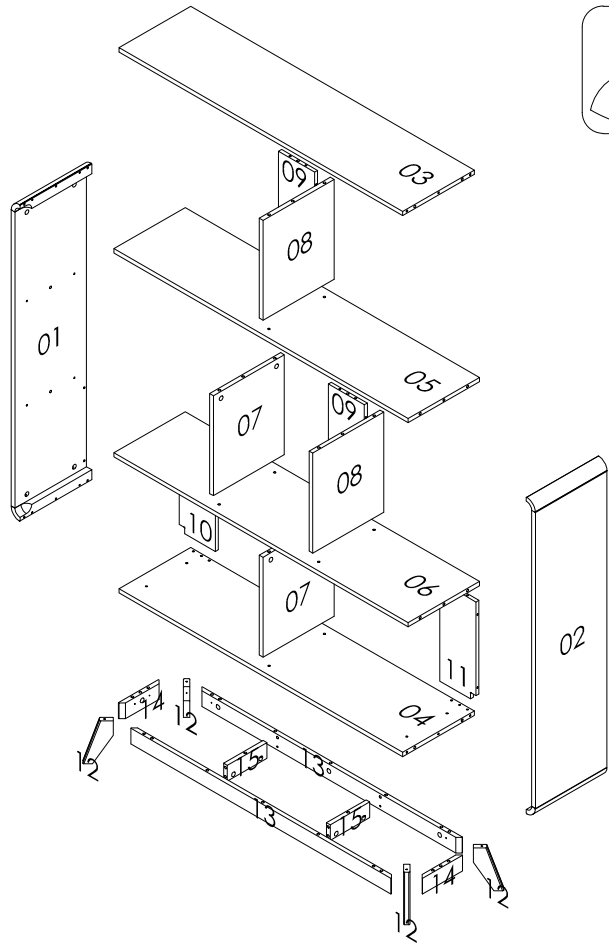


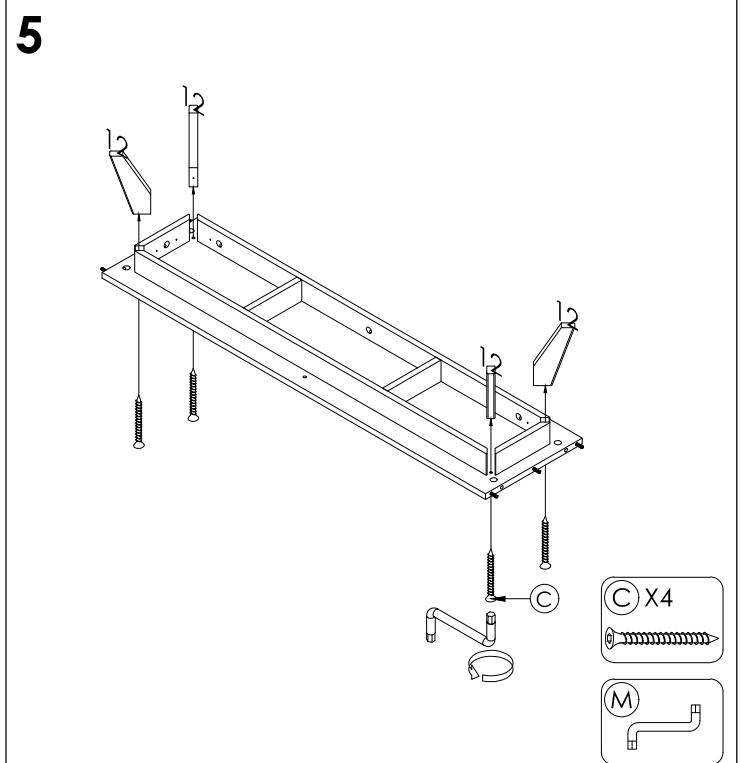
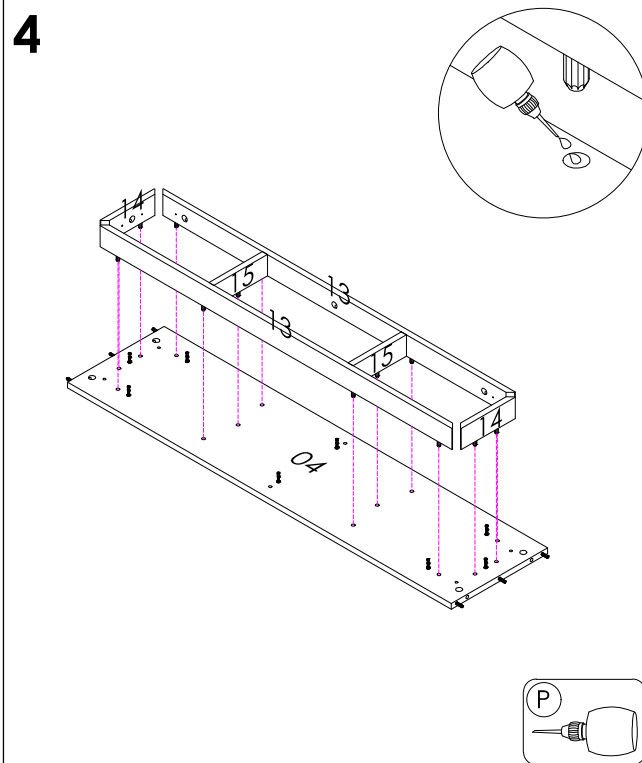
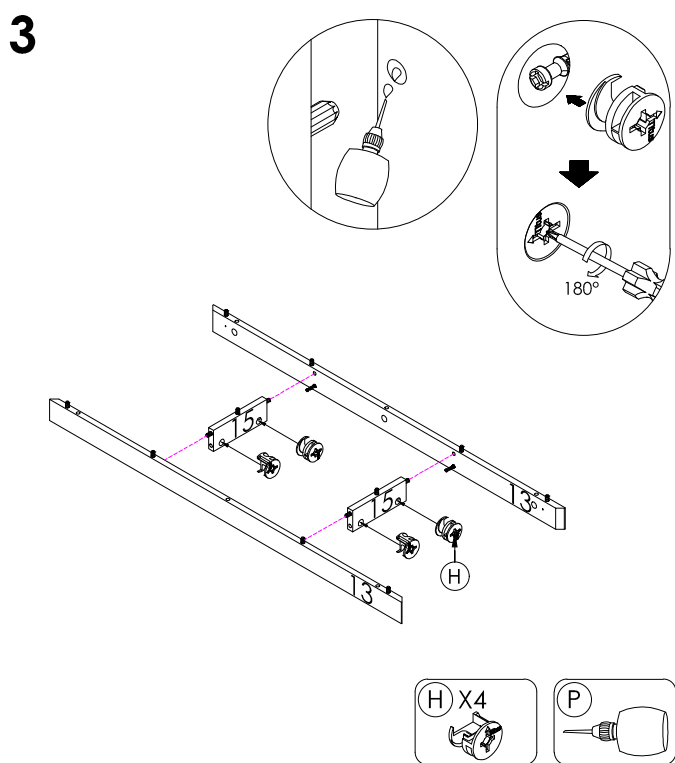
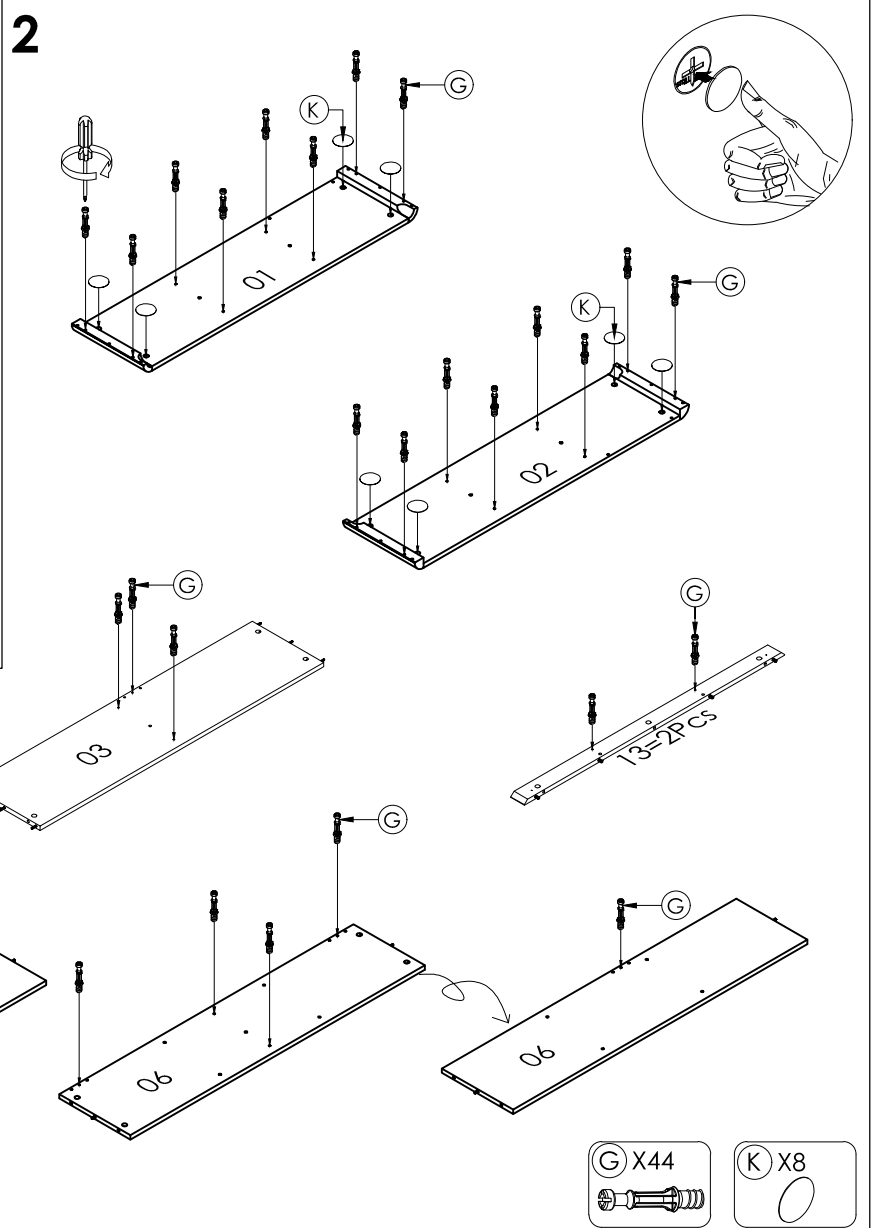
ASSEMBLING GUIDE MODEL 3311-9-01

WARNING! NOT SUITABLE FOR CHILDREN UNDER 3 YEARS. CONTAINS SMALL PARTS.

CAUTION
MATERIAL USED - LAMINATED MEDIUM DENSITY FIBERBOARD AND PARTICLEBOARD FRAME * TO CLEAN USING SOFT, DRY, CLOTH * DO NOT USE DETERGENT OR CHEMICALS * AVOID CONTACT WITH WATER AND DIRECT SUNLIGHT * TO BE ASSEMBLED ON A SOFT, DRY, CLEAN AND SMOOTH SURFACE * DO NOT USE POWER DRILLS TO ASSEMBLE AS THIS MAY CAUSE DAMAGE TO THE PRODUCT IF OVER-TIGHTENED



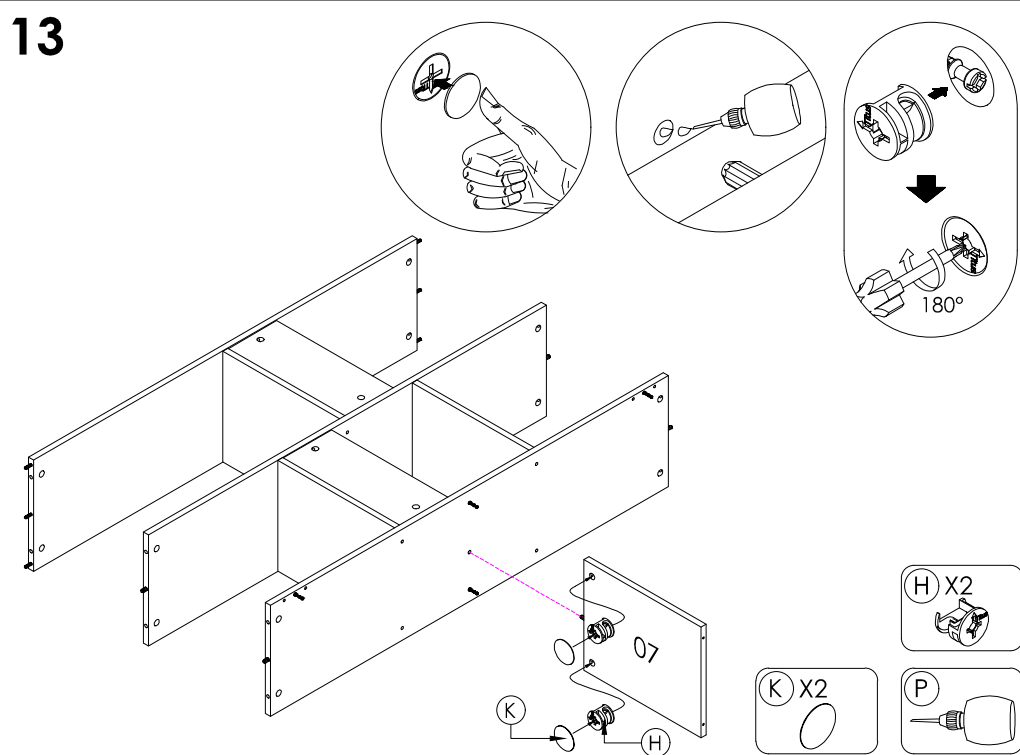
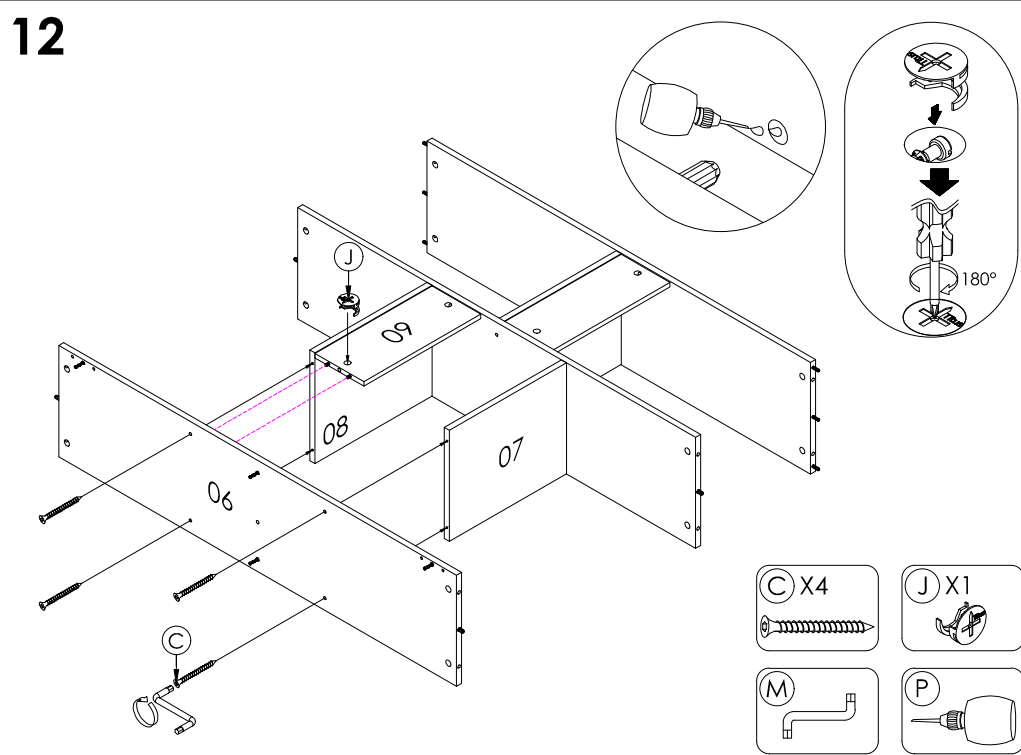
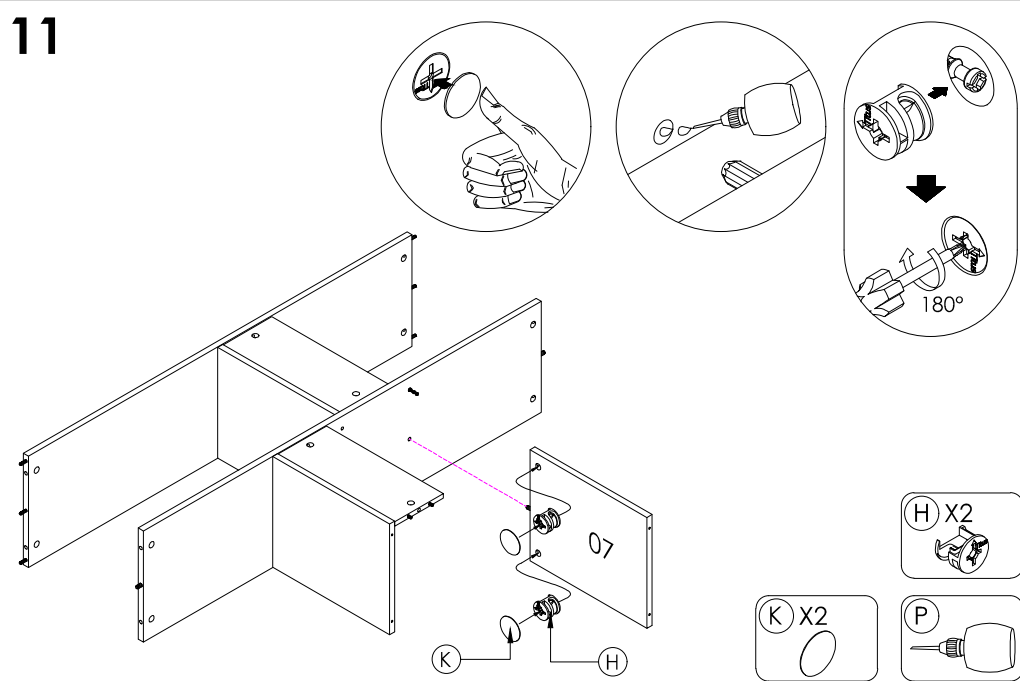
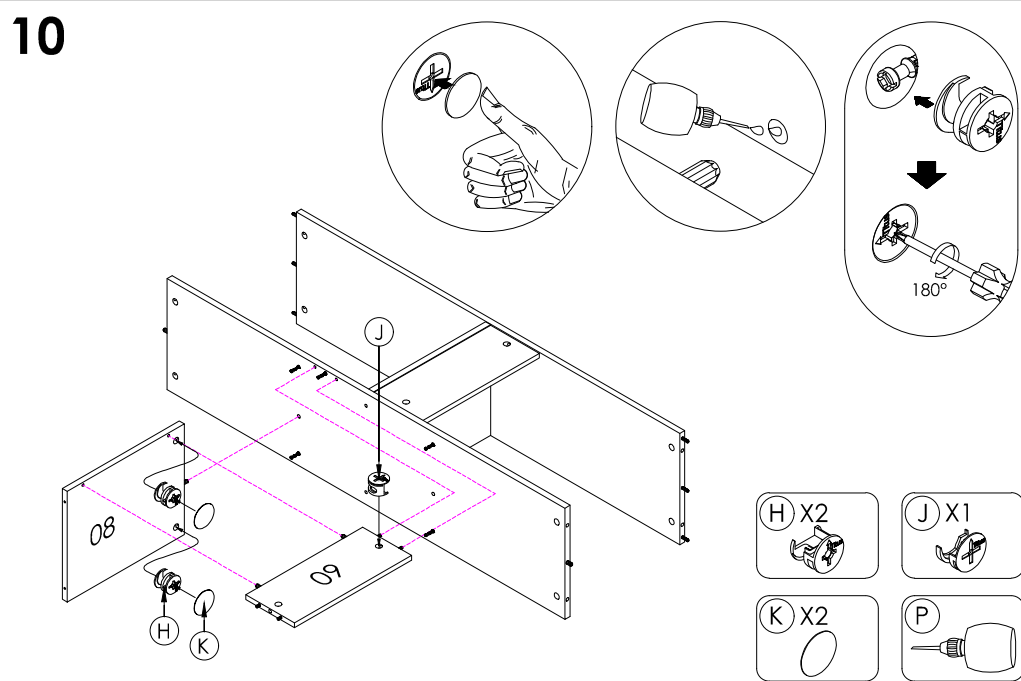
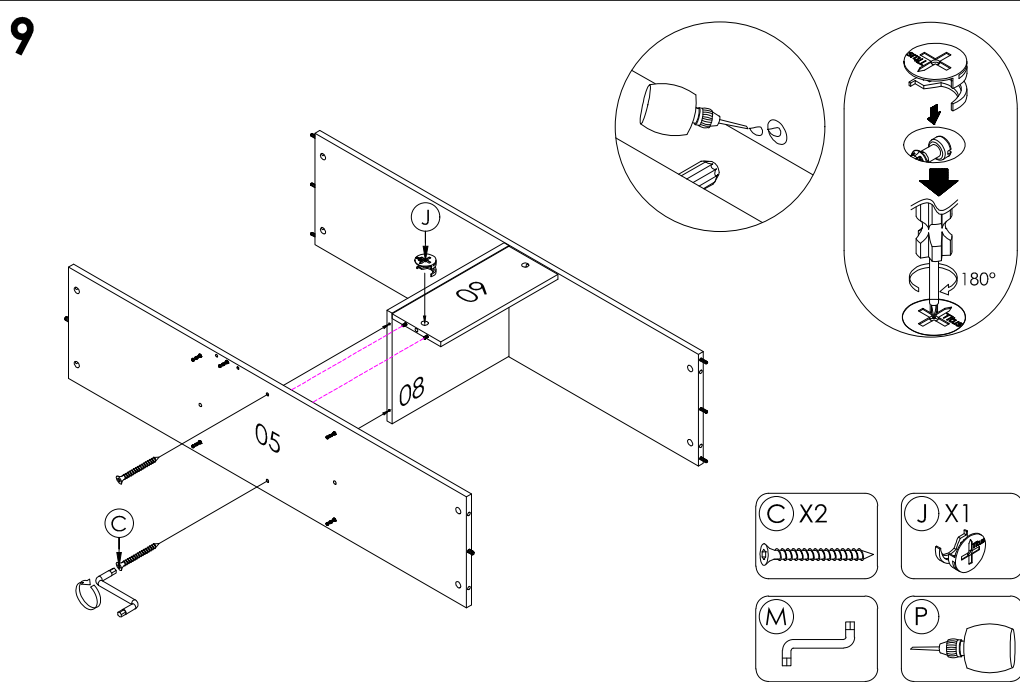
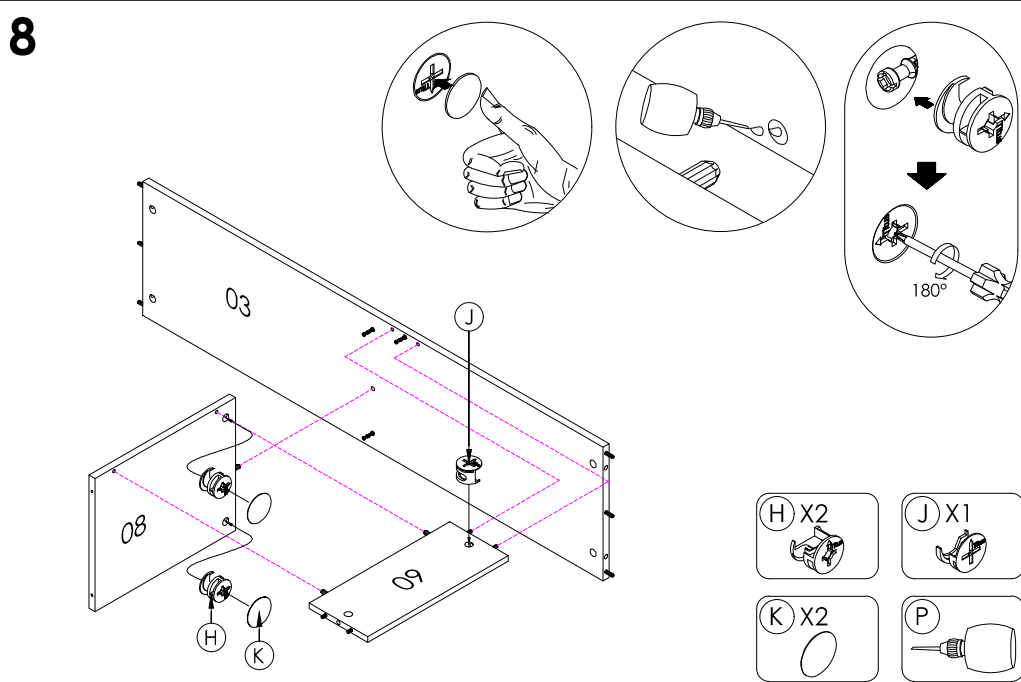
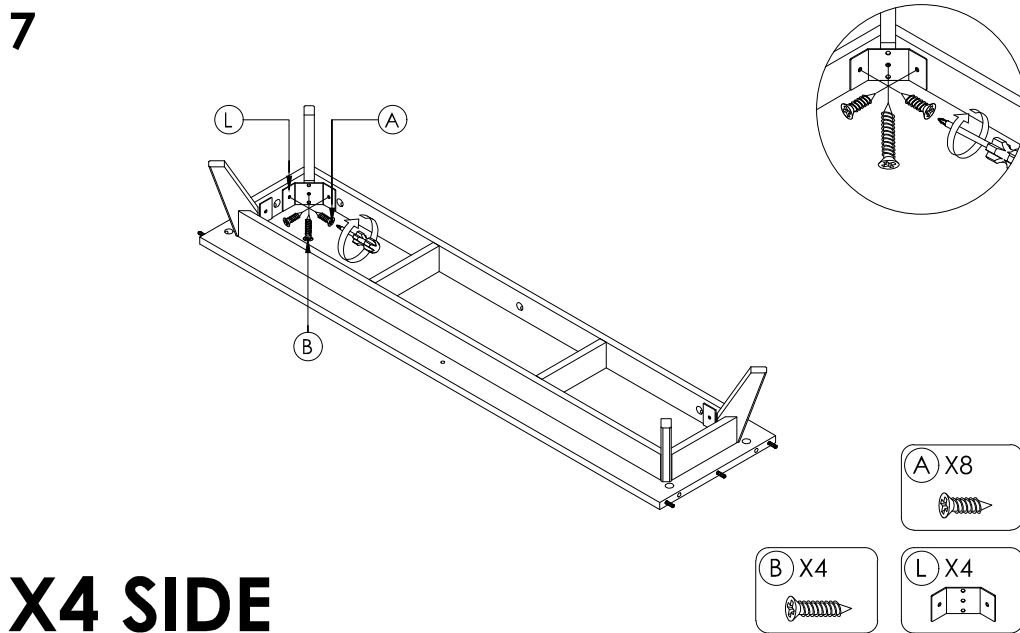
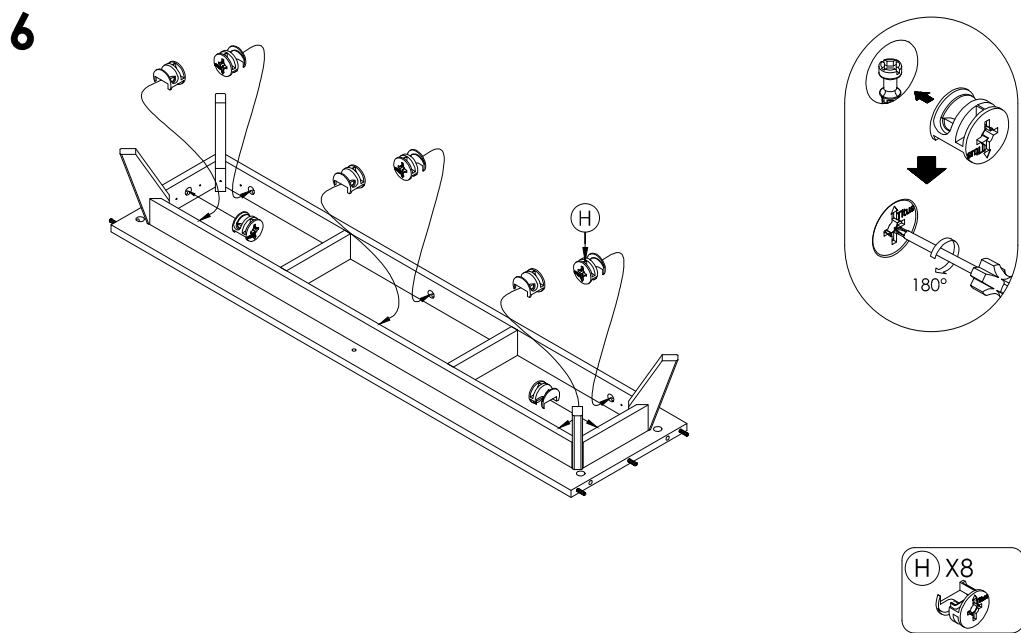
A		CSK SCREW M3.5 X 15MM	9	H		CAM-9499 CAM 3000 15 X 12	36
B		CSK SCREW M4 X 25MM	4	J		CAM-9642 CAM 3000 12/13MM	8
C		JCBC(W) SCREW M6 X 40MM	12	K		ROUND STICKER (Ø18MM)	20
D		WOOD DOWEL (Ø6 X 20MM)	24	L		TABLE CORNER BRACKET (5HOLES) (1.5 X 30 X 30 X 50 X 45MM)	4
E		WOOD DOWEL (Ø6 X 35MM)	12	M		ALLEN KEY M4	1
F		WOOD DOWEL (Ø8 X 25MM)	26	N		WEBBING TAPE (1.2 X 12 X 145 MM)	1
G		BOLT-9607 PARALEL NECK DOWEL 24 X 8.5	44	P		GLUE	6



ASSEMBLING GUIDE MODEL 3311-9-01

WARNING! NOT SUITABLE FOR CHILDREN
UNDER 3 YEARS. CONTAINS SMALL PARTS.

CAUTION
MATERIAL USED - LAMINATED MEDIUM DENSITY FIBERBOARD AND PARTICLEBOARD FRAME * TO CLEAN
USING SOFT, DRY, CLOTH * DO NOT USE DETERGENT OR CHEMICALS * AVOID CONTACT WITH WATER AND
DIRECT SUNLIGHT * TO BE ASSEMBLED ON A SOFT, DRY, CLEAN AND SMOOTH SURFACE * DO NOT USE
POWER DRILLS TO ASSEMBLE AS THIS MAY CAUSE DAMAGE TO THE PRODUCT IF OVER-TIGHTENED

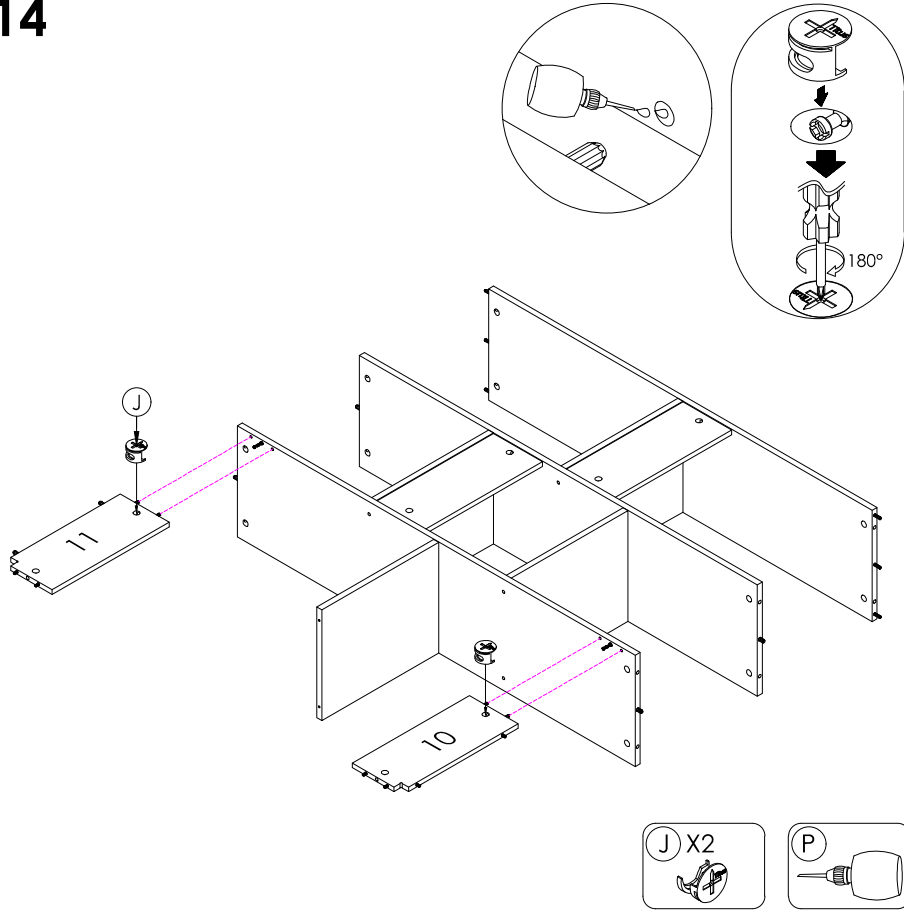


ASSEMBLING GUIDE MODEL 3311-9-01

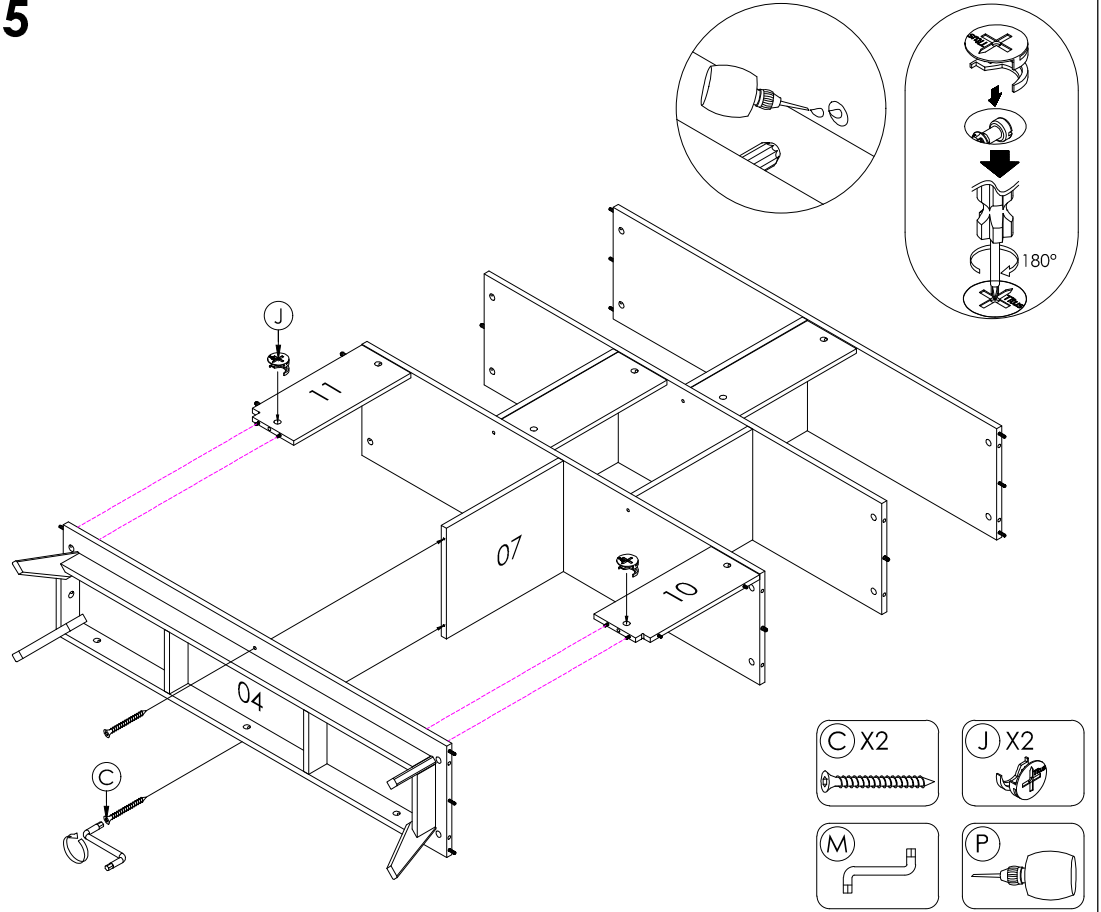
WARNING! NOT SUITABLE FOR CHILDREN UNDER 3 YEARS. CONTAINS SMALL PARTS.

CAUTION
MATERIAL USED - LAMINATED MEDIUM DENSITY FIBERBOARD AND PARTICLEBOARD FRAME * TO CLEAN USING SOFT, DRY, CLOTH * DO NOT USE DETERGENT OR CHEMICALS * AVOID CONTACT WITH WATER AND DIRECT SUNLIGHT * TO BE ASSEMBLED ON A SOFT, DRY, CLEAN AND SMOOTH SURFACE * DO NOT USE POWER DRILLS TO ASSEMBLE AS THIS MAY CAUSE DAMAGE TO THE PRODUCT IF OVER-TIGHTENED

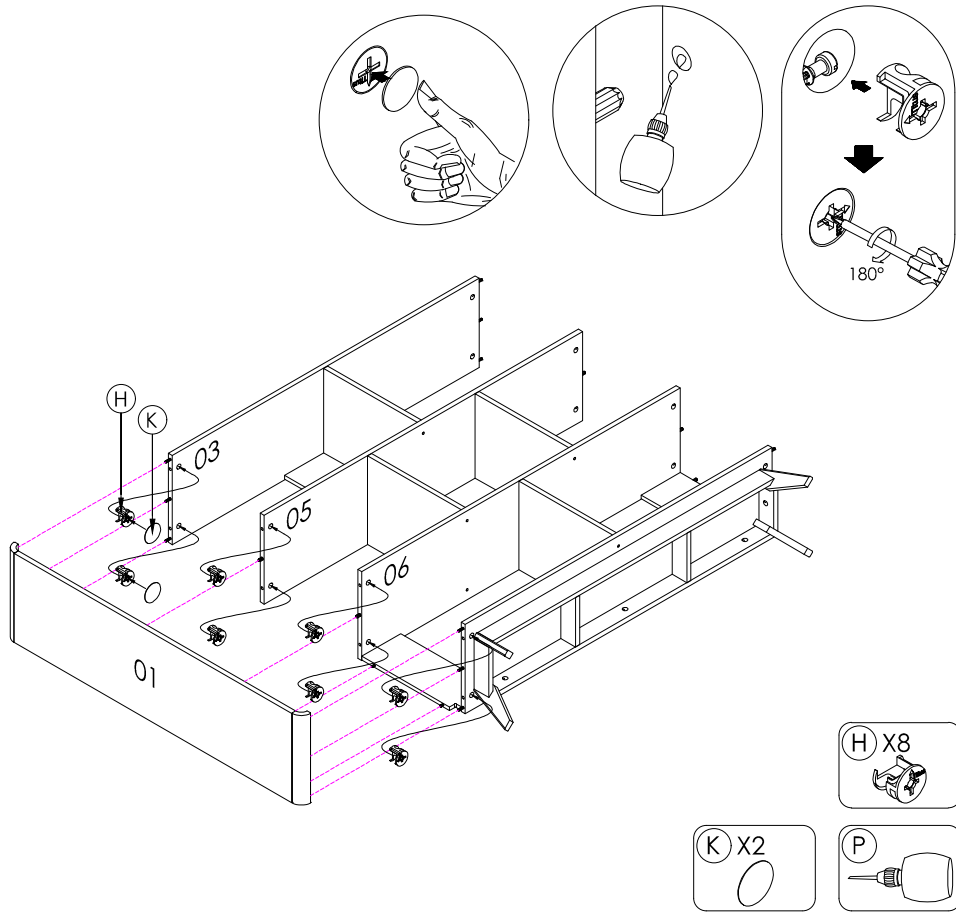
14



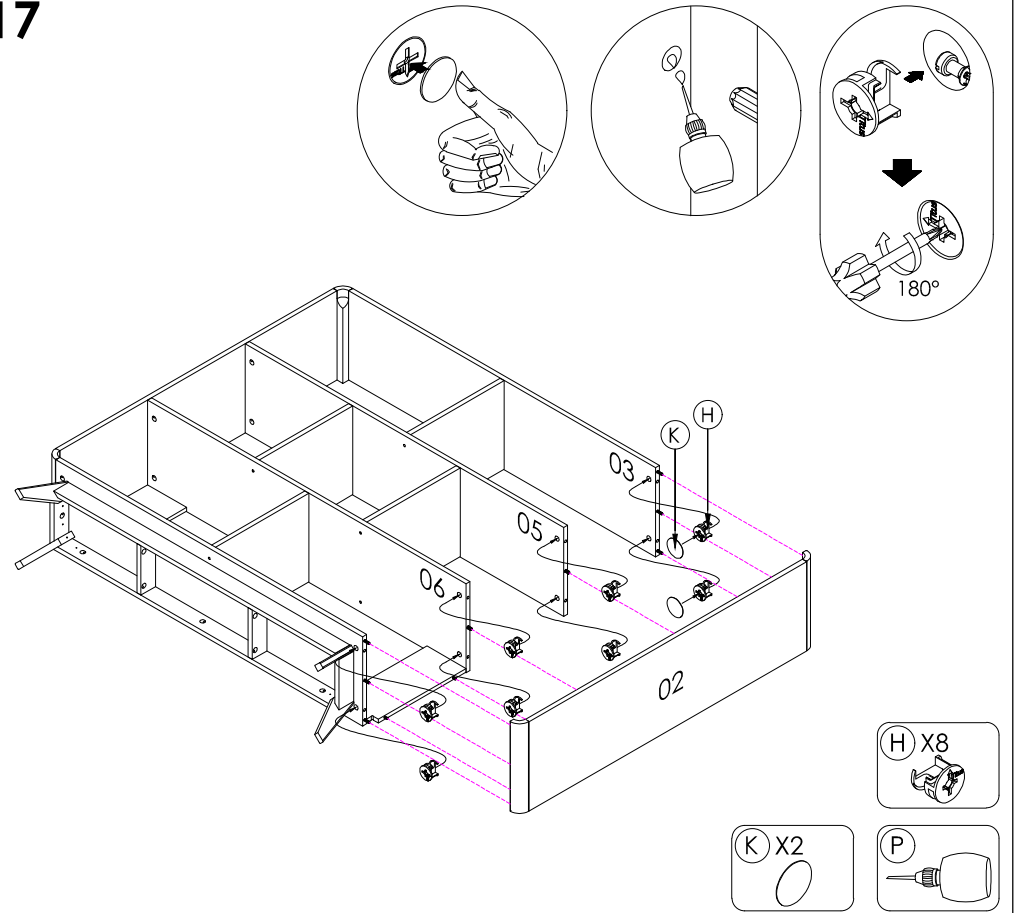
15



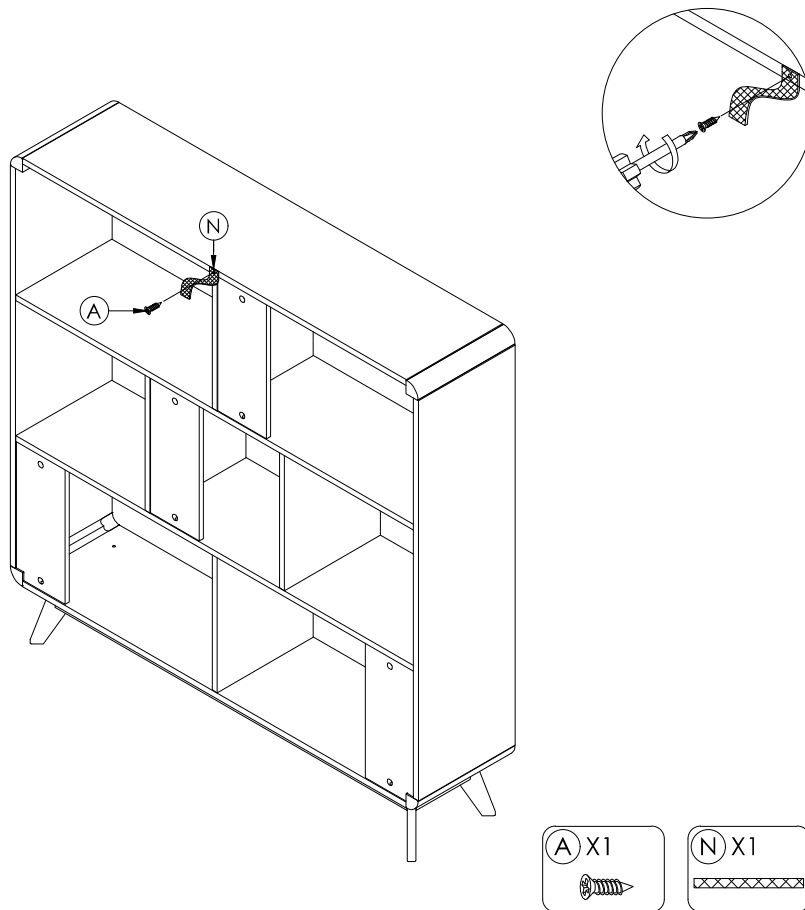
16



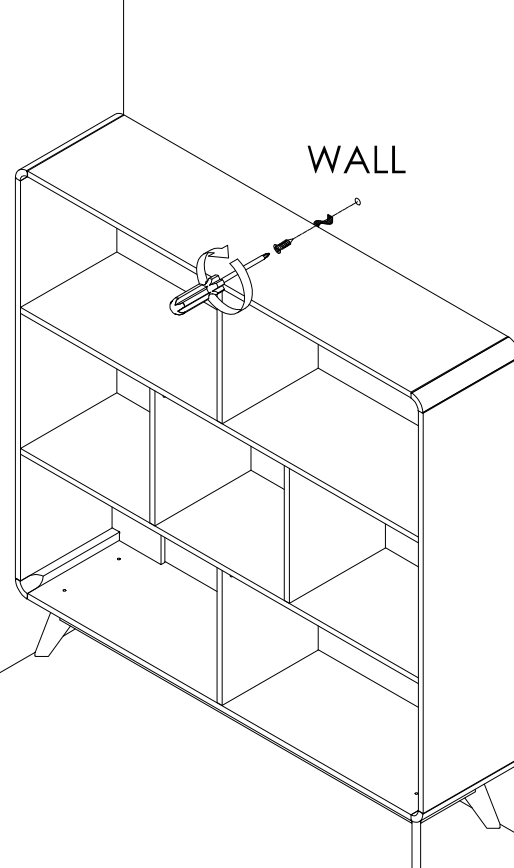
17



18



19



NOTE:
WALL PLUG & SCREW ARE NOT SUPPLIED WITH THIS PRODUCT AS DIFFERENT WALL MATERIALS REQUIRE DIFFERENT TYPES OF FIXING HARDWARE & YOU MUST USE SUITABLE FIXING HARDWARE FOR TYPE OF WALL YOU INTEND TO MOUNT THIS PRODUCT TO WALL.

