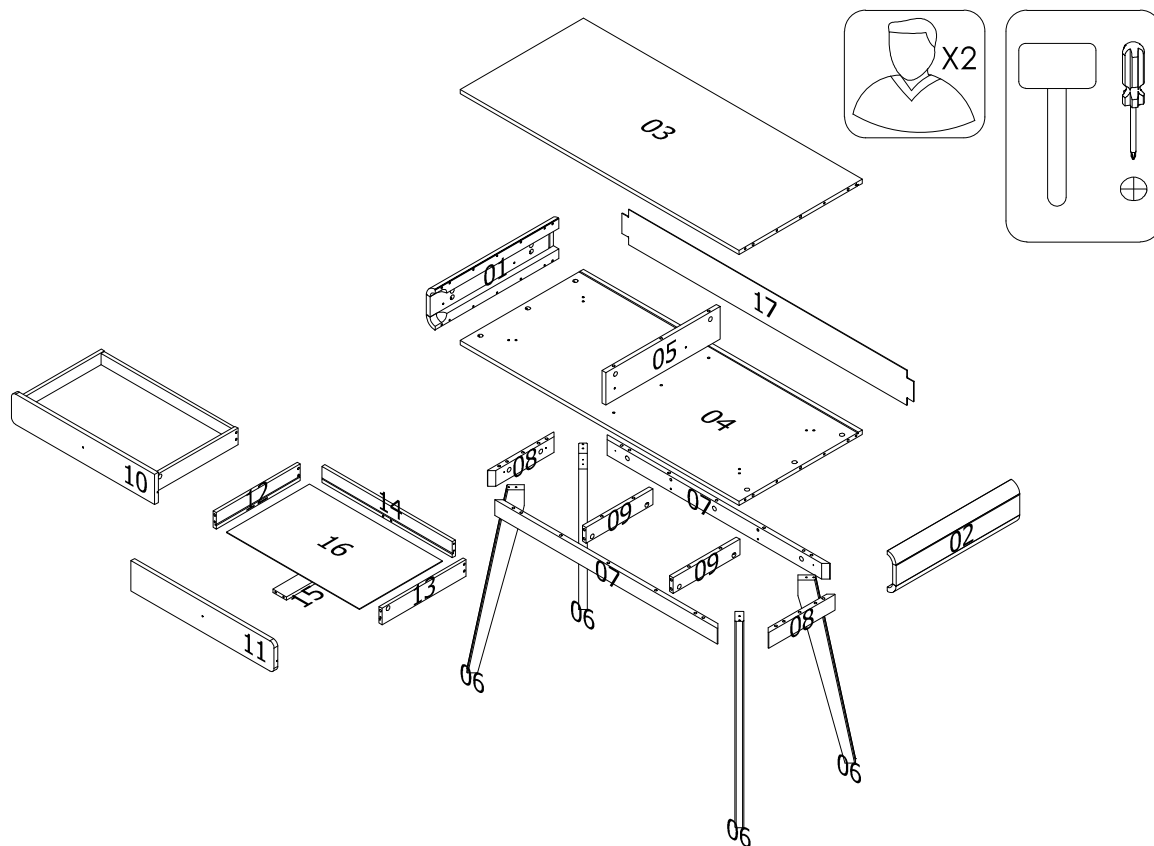


# ASSEMBLING GUIDE MODEL 2396-9-01

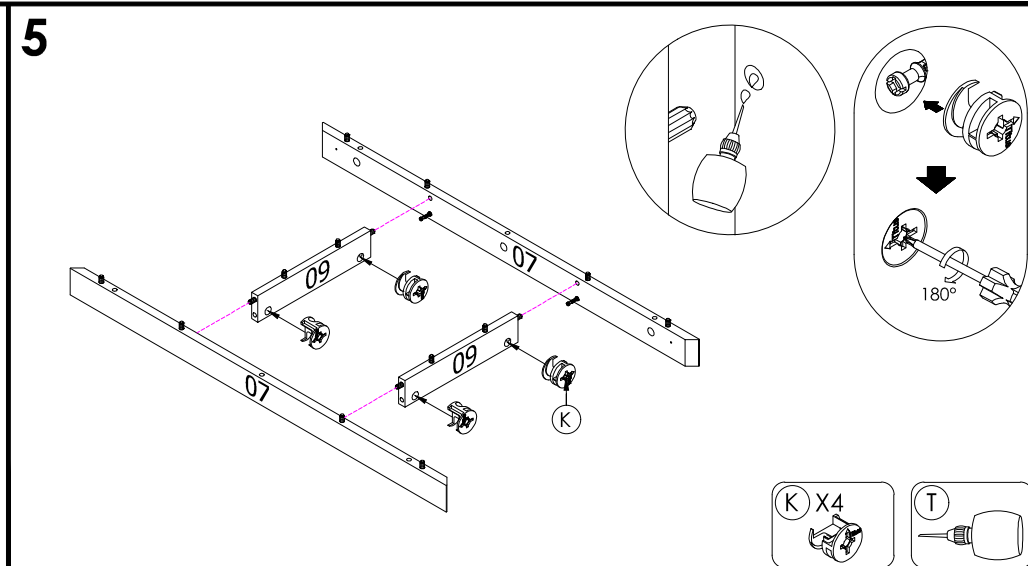
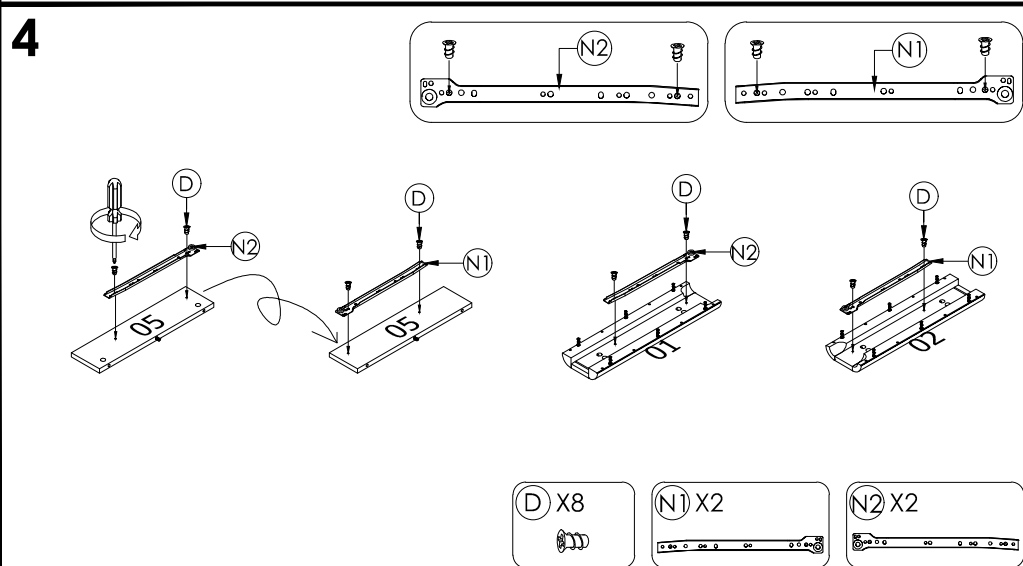
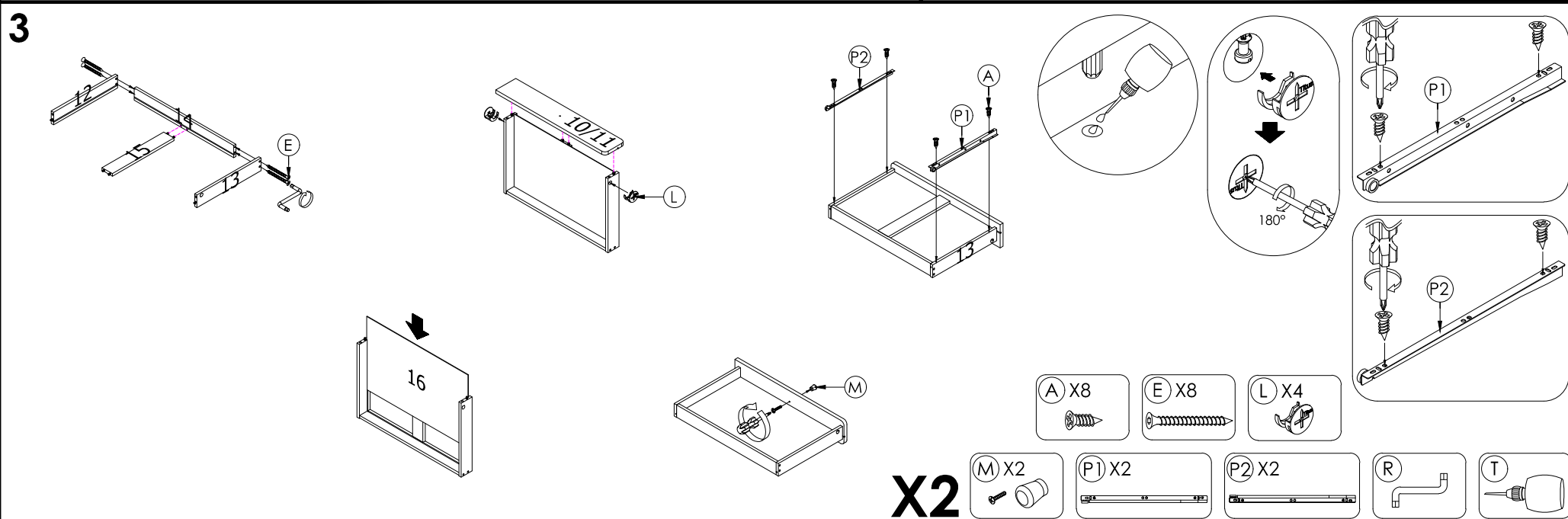
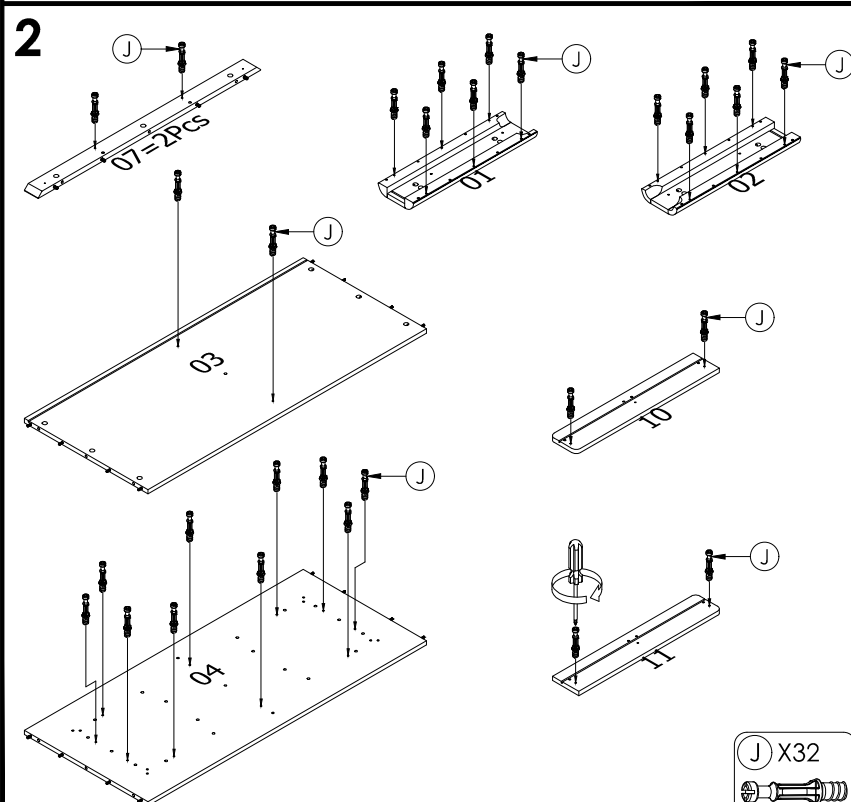
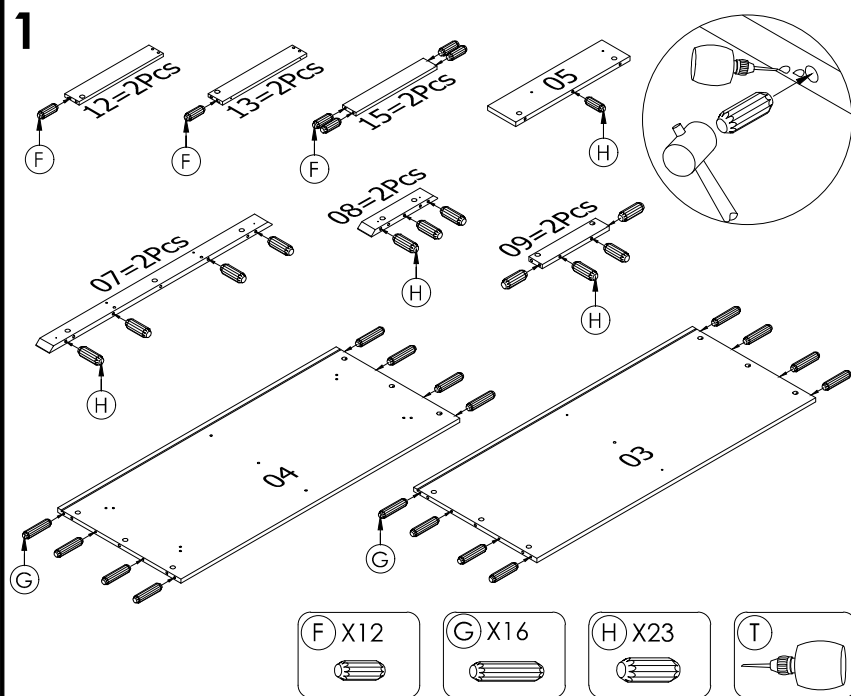
**WARNING! NOT SUITABLE FOR CHILDREN  
UNDER 3 YEARS. CONTAINS SMALL PARTS.**

**CAUTION**  
MATERIAL USED - LAMINATED MEDIUM DENSITY FIBERBOARD AND PARTICLEBOARD FRAME \* TO CLEAN  
USING SOFT, DRY, CLOTH \* DO NOT USE DETERGENT OR CHEMICALS \* AVOID CONTACT WITH WATER AND  
DIRECT SUNLIGHT \* TO BE ASSEMBLED ON A SOFT, DRY, CLEAN AND SMOOTH SURFACE \* DO NOT USE  
POWER DRILLS TO ASSEMBLE AS THIS MAY CAUSE DAMAGE TO THE PRODUCT IF OVER-TIGHTENED



A		CSK SCREW M3.5 X 12MM	8
B		CSK SCREW M3.5 X 15MM	20
C		CSK SCREW M4 X 25MM	8
D		EURO SCREW M6 X 9MM	8
E		JCBC(W) SCREW M6 X 40MM	19
F		WOOD DOWEL (Ø6 X 20MM)	12
G		WOOD DOWEL (Ø6 X 35MM)	16
H		WOOD DOWEL (Ø8 X 25MM)	23
J		BOLT-9607 PARALEL NECK DOWEL 24 X 8.5	32
K		CAM-9499 CAM 3000 15 X 12	28

L		CAM-9642 CAM 3000 12/13MM	4
M		9933 WOODEN HDL KNOB (D20, H22) NATURAL= (1PC) WITH SCREW (MC4 X 22MM)= (1PC)	2 SETS
N1		DRAWER SLIDE CR (350MM)	2
N2		DRAWER SLIDE CL (350MM)	2
P1		DRAWER SLIDE DR (350MM)	2
P2		DRAWER SLIDE DL (350MM)	2
Q		TABLE CORNER BRACKET (5HOLES) (1.5 X 30 X 30 X 50 X 45MM)	4
R		ALLEN KEY M4	1
S		BACKPLY STOPPER	12
T		GLUE	5

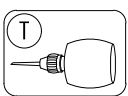
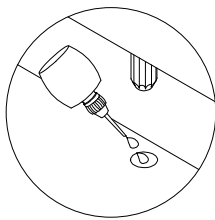
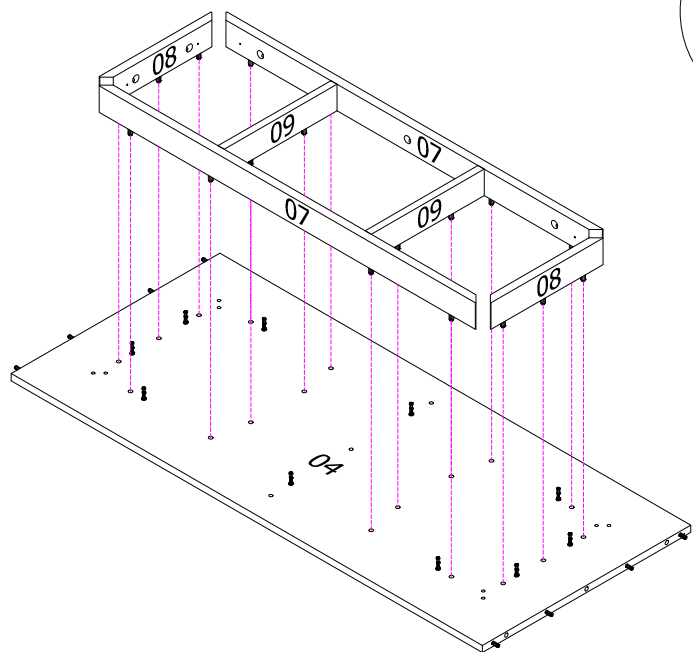


# ASSEMBLING GUIDE MODEL 2396-9-01

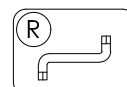
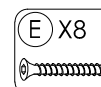
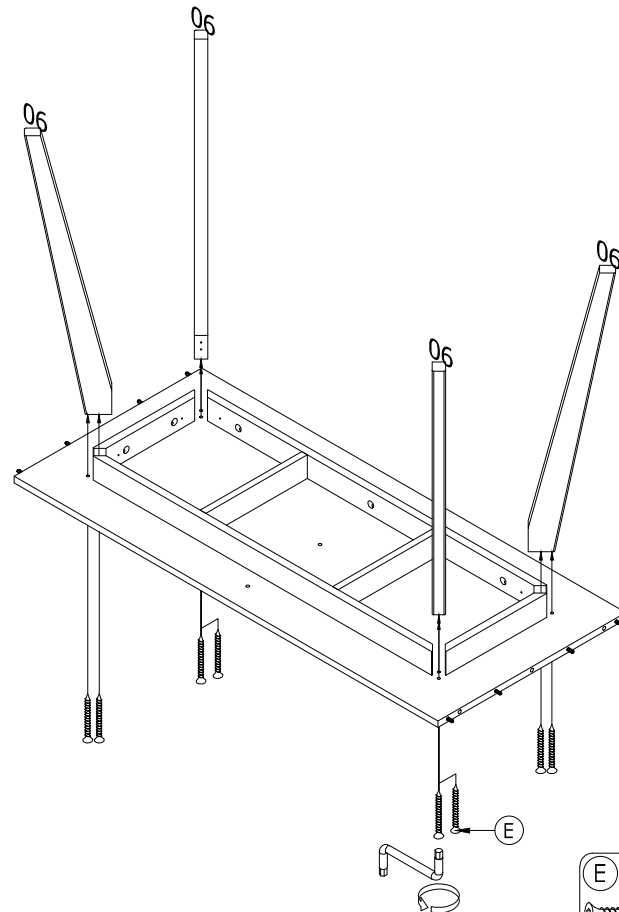
**WARNING! NOT SUITABLE FOR CHILDREN  
UNDER 3 YEARS. CONTAINS SMALL PARTS.**

**CAUTION**  
MATERIAL USED - LAMINATED MEDIUM DENSITY FIBERBOARD AND PARTICLEBOARD FRAME \* TO CLEAN  
USING SOFT, DRY, CLOTH \* DO NOT USE DETERGENT OR CHEMICALS \* AVOID CONTACT WITH WATER AND  
DIRECT SUNLIGHT \* TO BE ASSEMBLED ON A SOFT, DRY, CLEAN AND SMOOTH SURFACE \* DO NOT USE  
POWER DRILLS TO ASSEMBLE AS THIS MAY CAUSE DAMAGE TO THE PRODUCT IF OVER-TIGHTENED

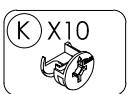
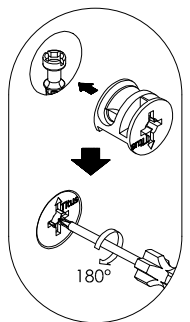
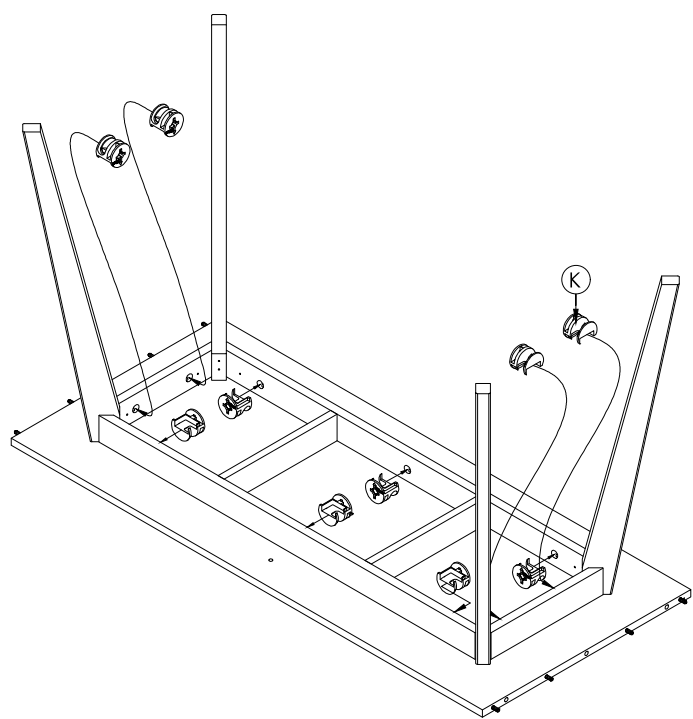
6



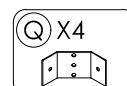
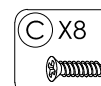
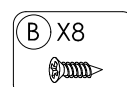
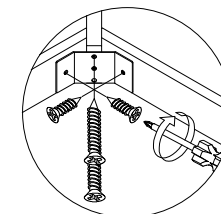
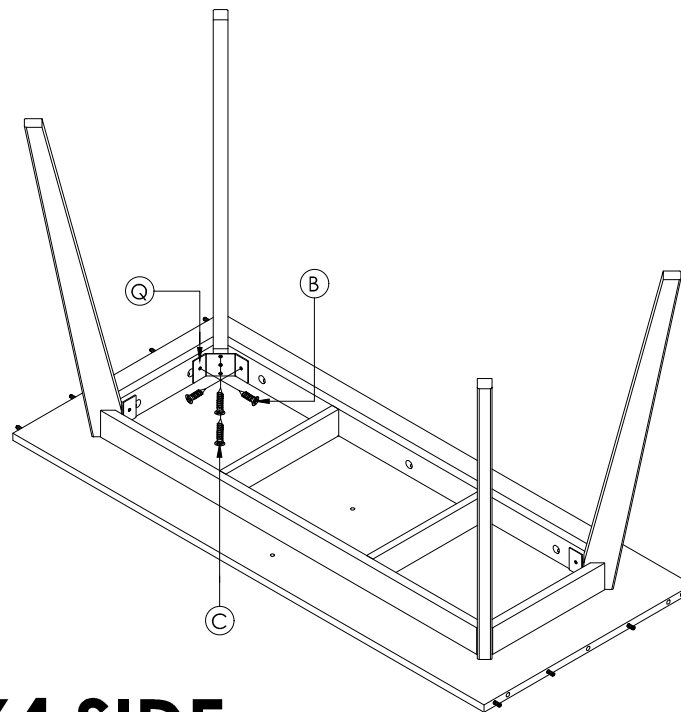
7



8

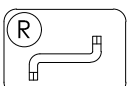
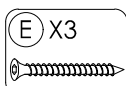
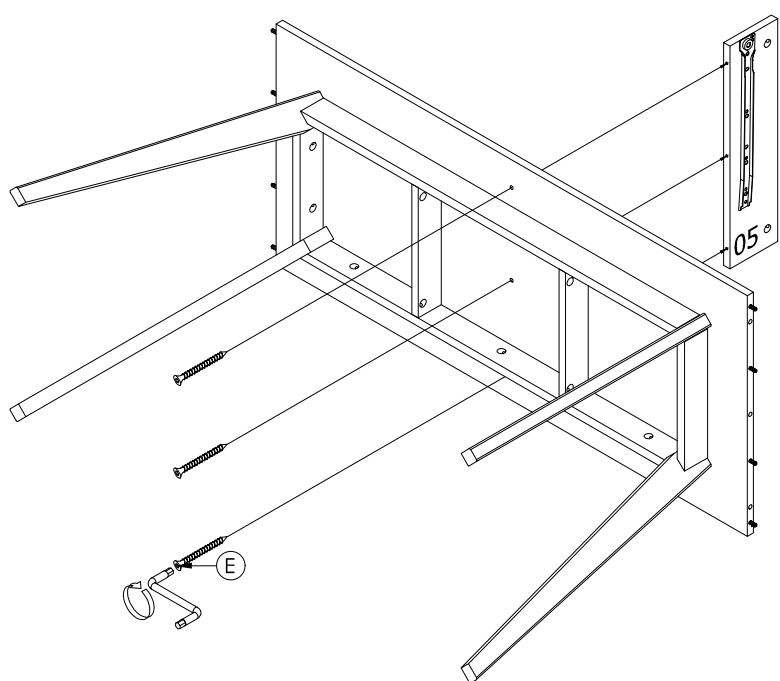


9

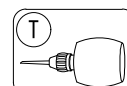
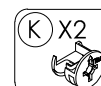
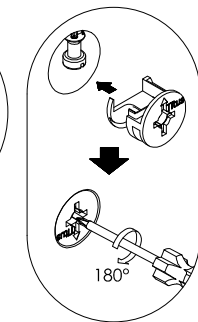
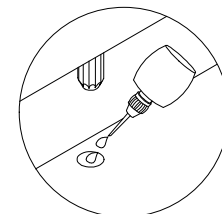
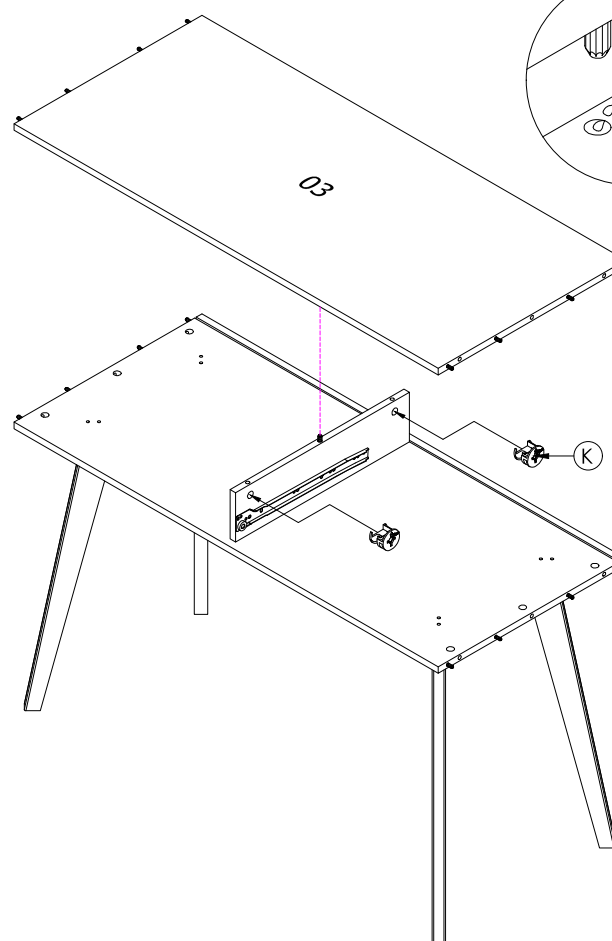


**X4 SIDE**

10



11

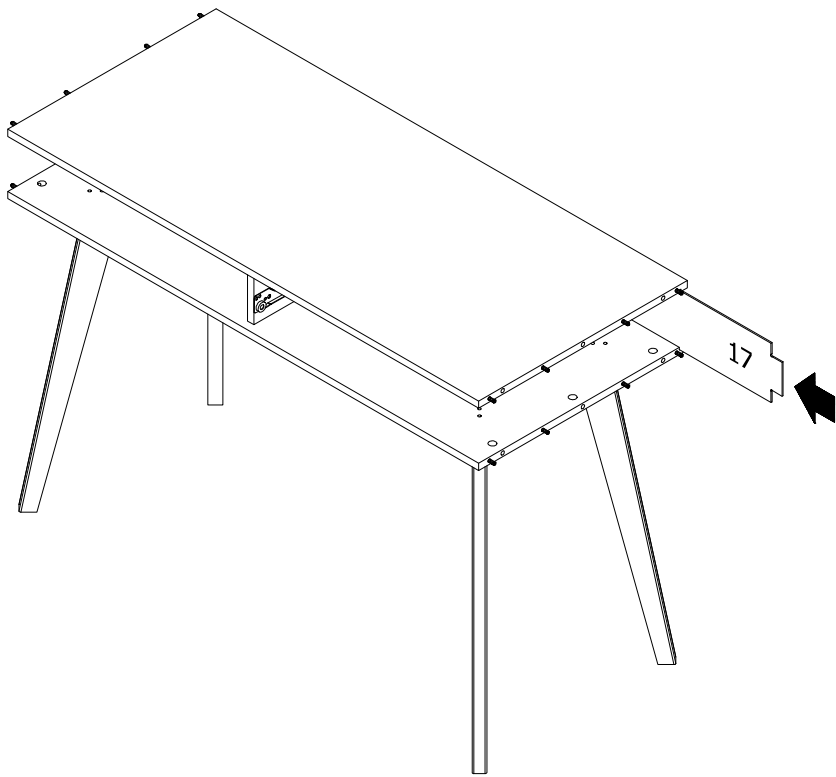


# ASSEMBLING GUIDE MODEL 2396-9-01

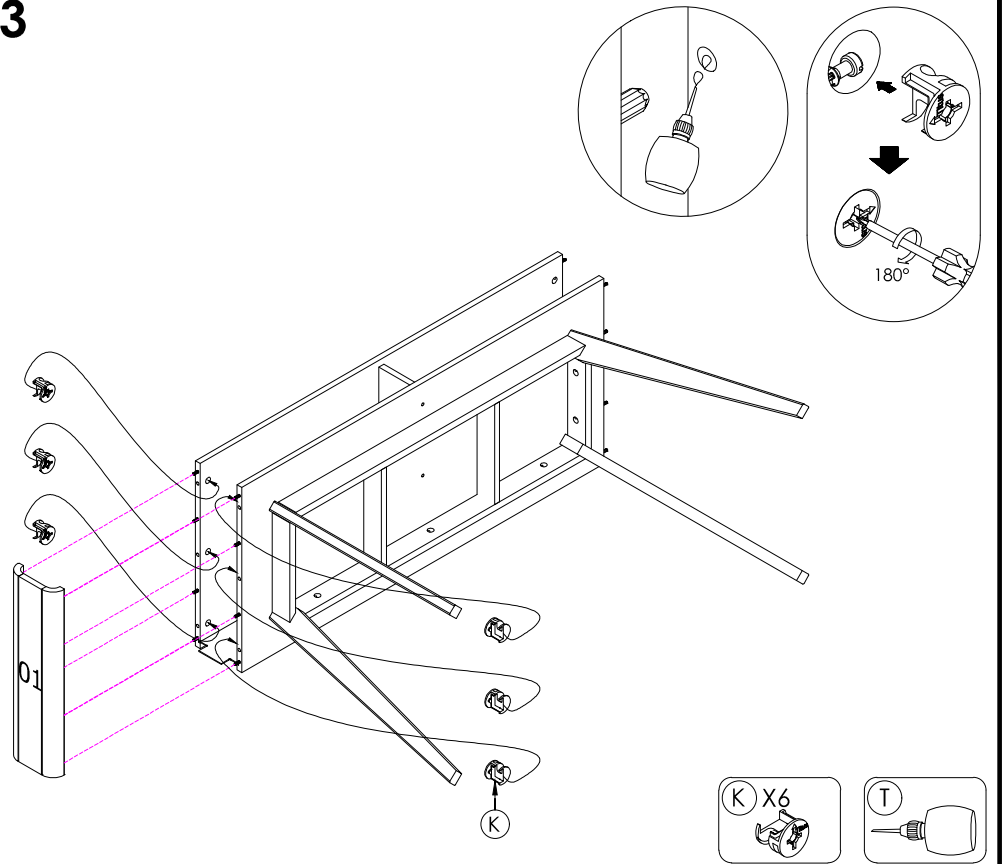
**WARNING! NOT SUITABLE FOR CHILDREN  
UNDER 3 YEARS. CONTAINS SMALL PARTS.**

**CAUTION**  
MATERIAL USED - LAMINATED MEDIUM DENSITY FIBERBOARD AND PARTICLEBOARD FRAME \* TO CLEAN  
USING SOFT, DRY, CLOTH \* DO NOT USE DETERGENT OR CHEMICALS \* AVOID CONTACT WITH WATER AND  
DIRECT SUNLIGHT \* TO BE ASSEMBLED ON A SOFT, DRY, CLEAN AND SMOOTH SURFACE \* DO NOT USE  
POWER DRILLS TO ASSEMBLE AS THIS MAY CAUSE DAMAGE TO THE PRODUCT IF OVER-TIGHTENED

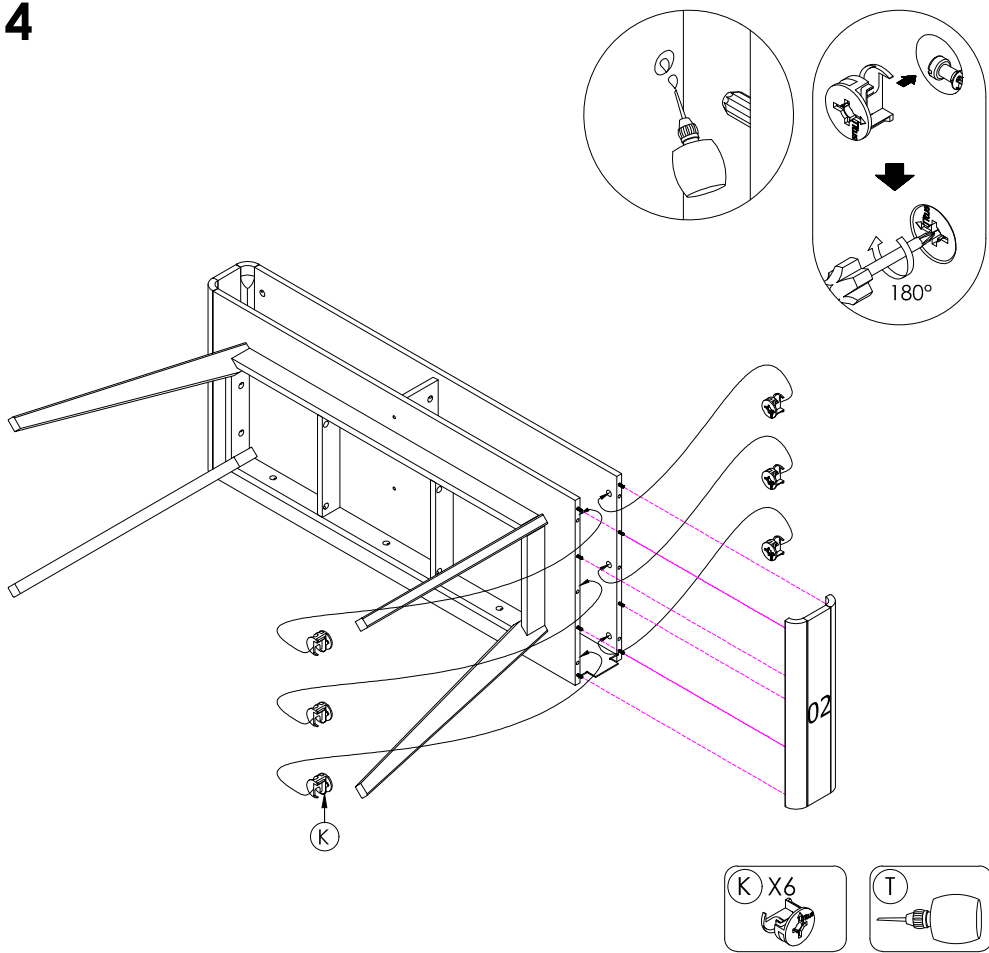
12



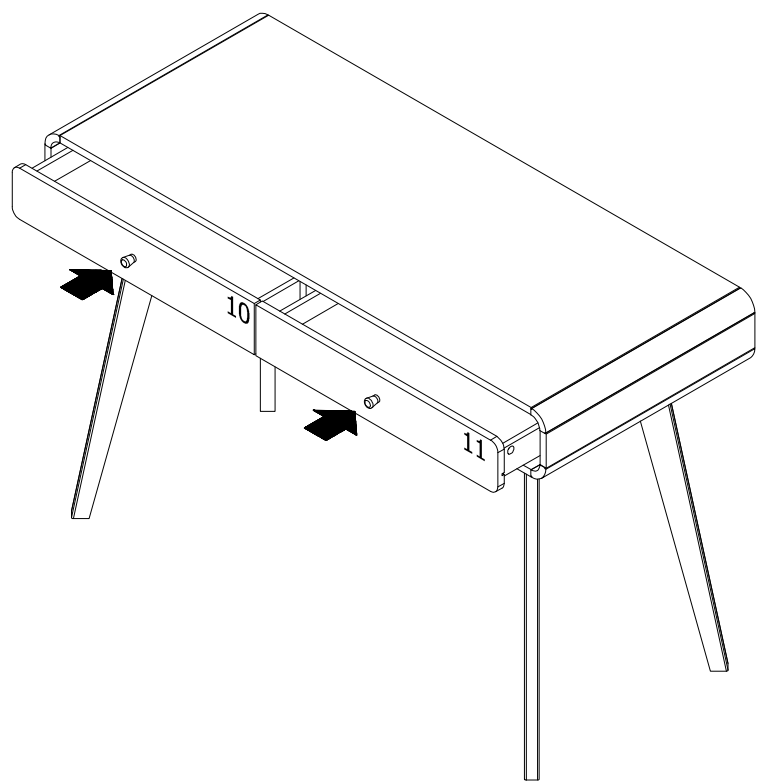
13



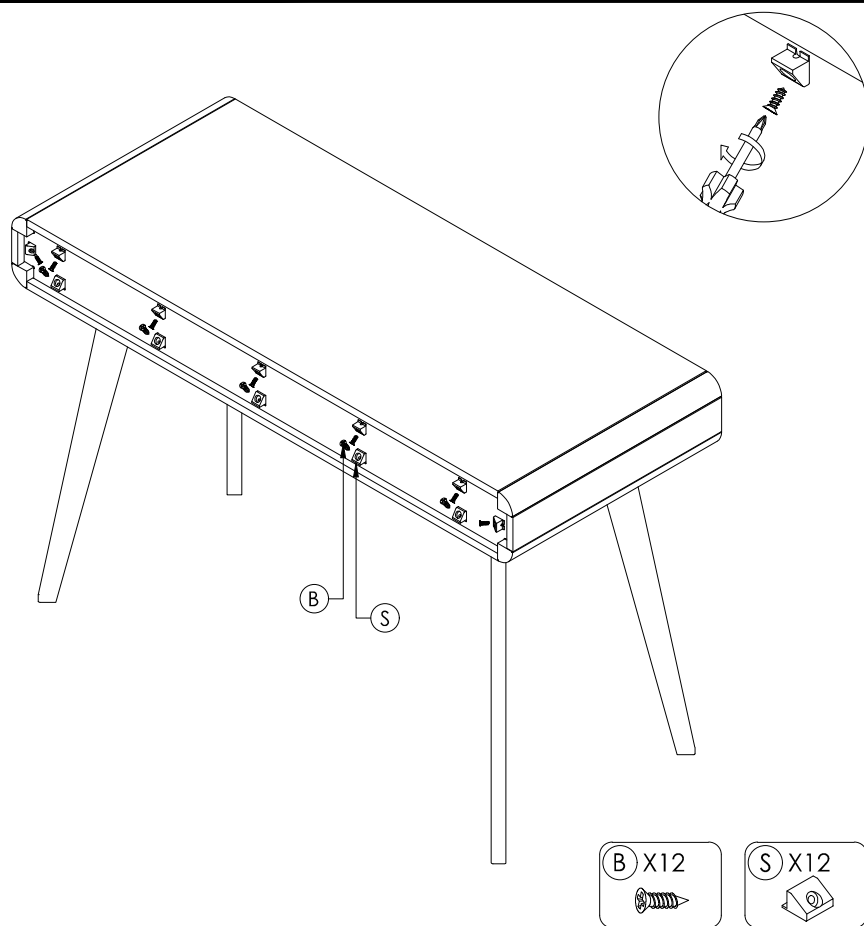
14



15



16



17

