

# HISTORICAL COLLECTION

## WORLD WAR II



### HMS BELFAST

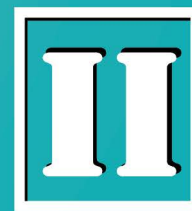
PLACE OF ORIGIN - UNITED KINGDOM  
 IN SERVICE - 1939 - 1963  
 TYPE - TOWN-CLASS LIGHT CRUISER  
 MOTTO - PRO TANTO QUID RETRIBUAMAS  
 (LATIN: FOR SO MUCH, HOW SHALL WE REPAY?)  
 LAUNCHED - 17 MARCH 1938  
 COMMISSIONED - 5 AUGUST 1939  
 DECOMMISSIONED - 24 AUGUST 1963  
 FATE - MUSEUM SHIP SINCE 21 OCTOBER 1971  
 DISPLACEMENT - 11553t (25,470,007LB)  
 LENGTH - 186,99m (613' 6") OVERALL  
 BEAM: 21m (69')  
 DRAUGHT - 6,02m (19' 9")  
 PROPULSION - FOUR ADMIRALTY OIL-FIRED 3-DRUM  
 BOILERS FOUR PARSONS SINGLE REDUCTION  
 GEARED STEAM TURBINES DRIVING FOUR SHAFTS  
 AT 80,000<sub>SHIP</sub> (65621 KW)  
 SPEED - 32KNOTS (59KM/H, 36.6MPH)  
 ARMAMENT (1959) - TWELVE (4x3) 6-INCH MK XXIII  
 EIGHT (4x2) QF 4-INCH (101,6MM) MK XVI HA/LA  
 TWELVE (6x2) QF 40MM BOFORS AA  
 ARMOUR - 4.5" (114 MM) DECK 3" (76MM)  
 COMPLEMENT - 750 - 850 (AS FLAGSHIP)



4844

Printed in EU

**PAD PRINTED**  
NO STICKERS



**WARNING: CHOKING HAZARD-**  
Toy contains small parts.  
Not for children under 3 years.

1517

**HMS BELFAST**

SCALE **1:300**



+



+



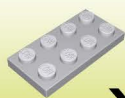
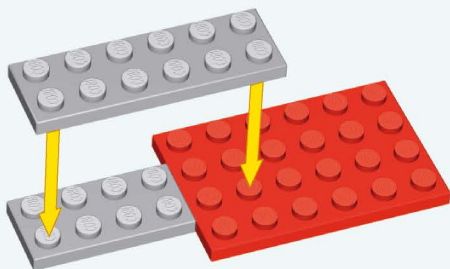
BE CAREFUL: NOTICE THE DIFFERENCE



UWAGA: RÓŻNE KLOCKI



107



x1

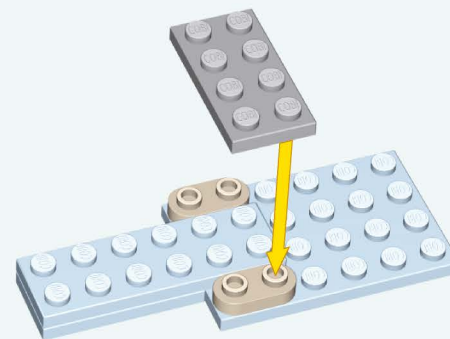


x1



x1

108



x2



x1

109

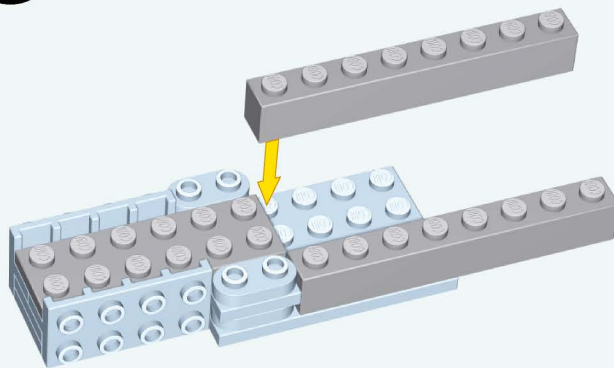


x2

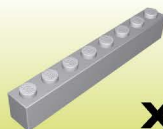


x2

110

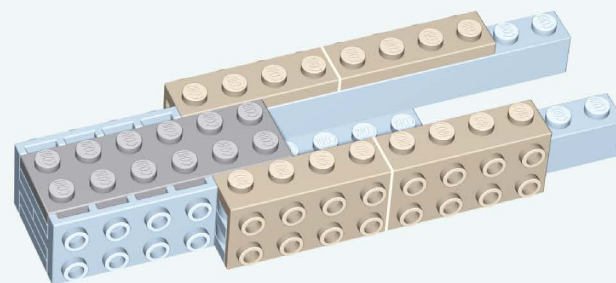


x1



x2

111

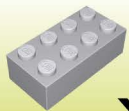
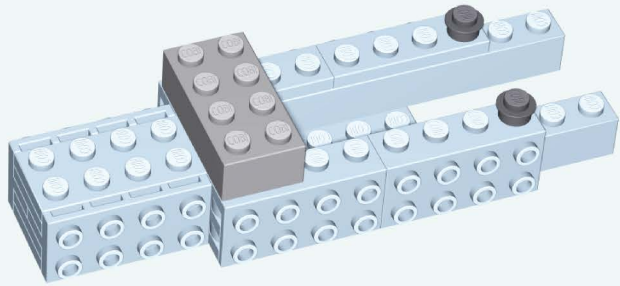


x1



x4

112

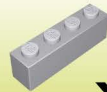
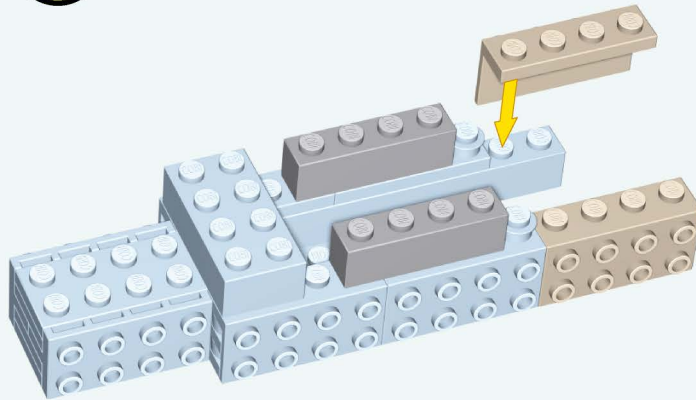


x1



x2

113

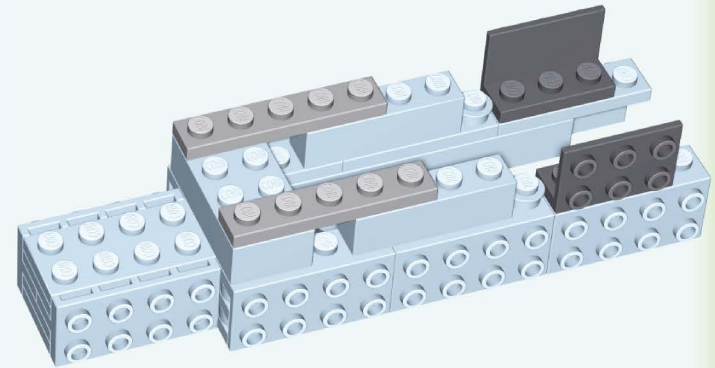


x2

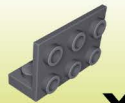


x2

114

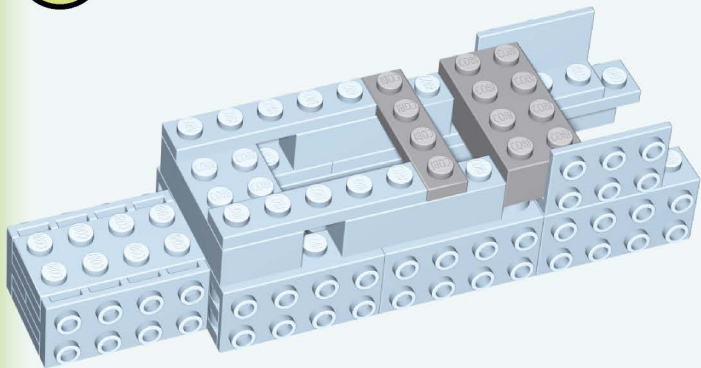


x2

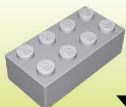


x2

115

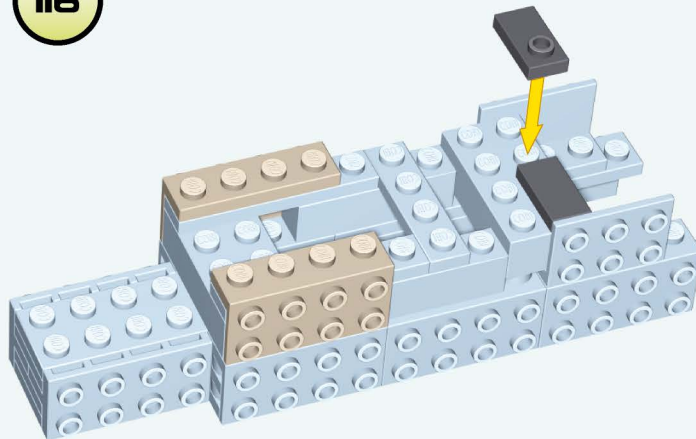


x1



x1

116



x2

1:1

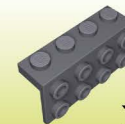
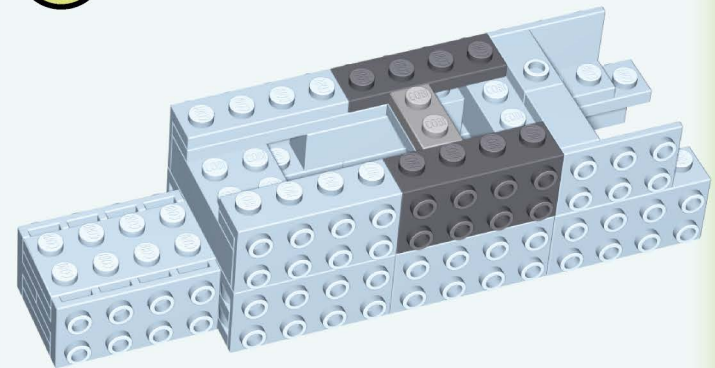


x1



x1

117

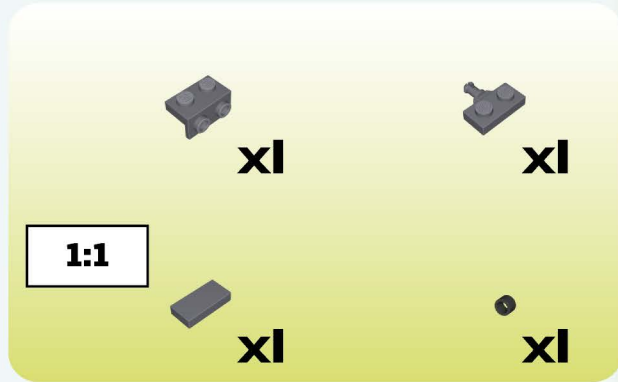
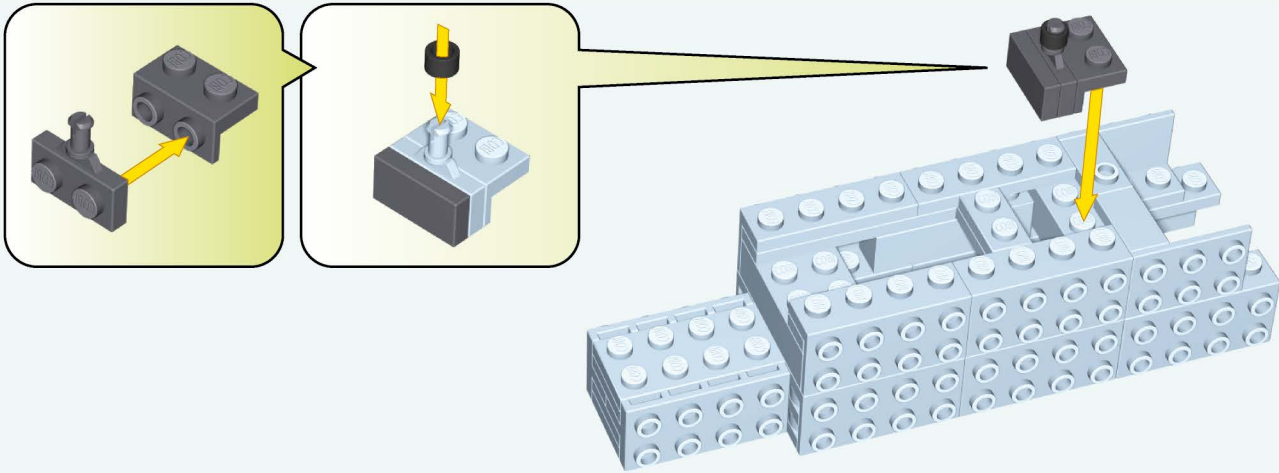


x2

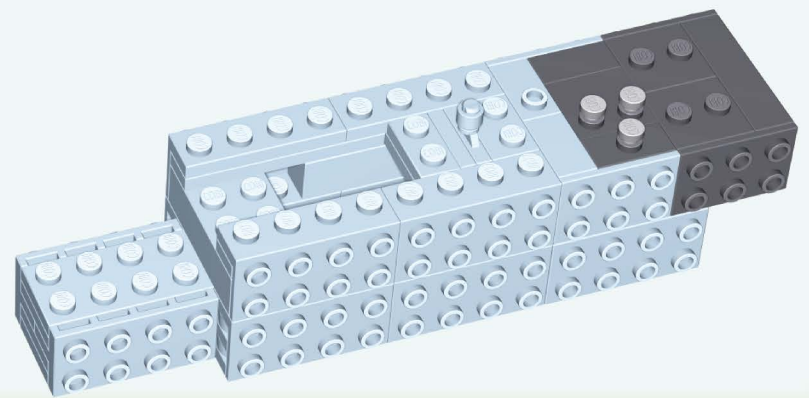
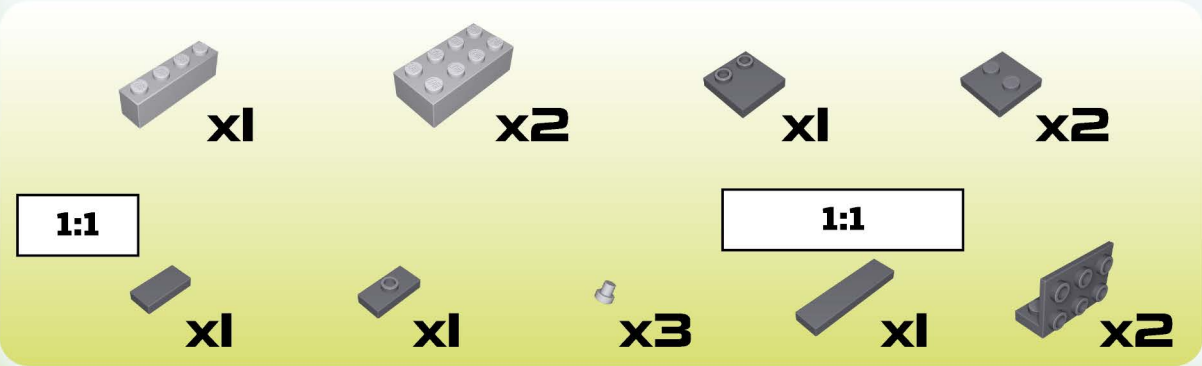
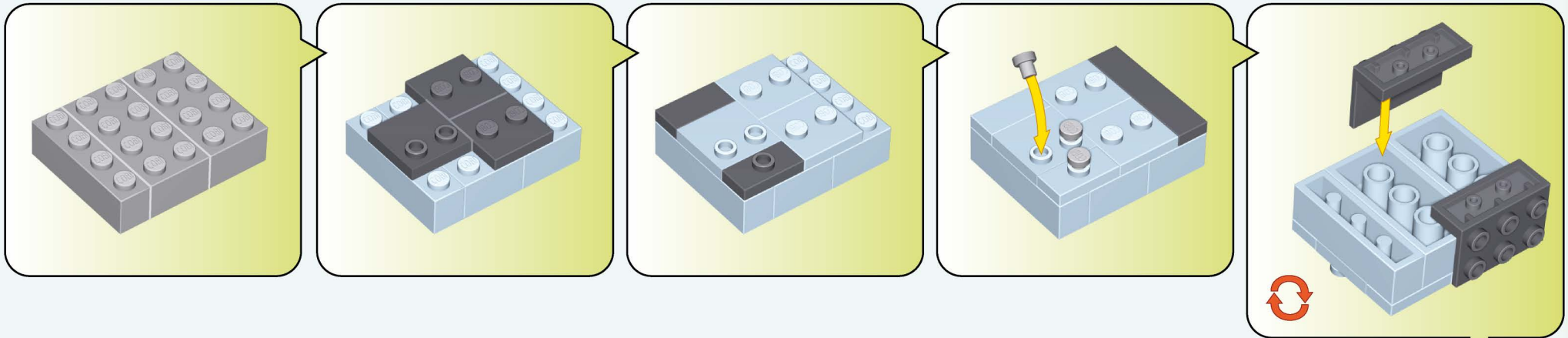


x1

118



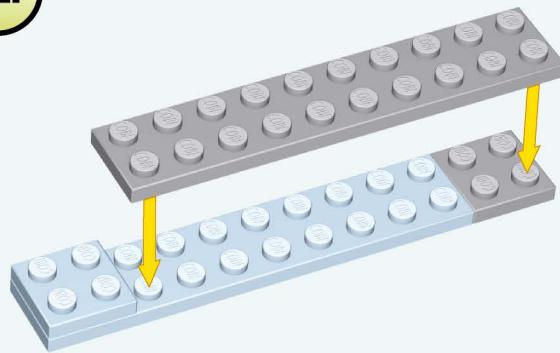
119



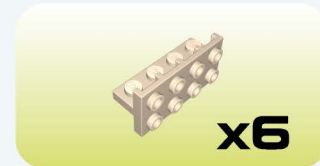
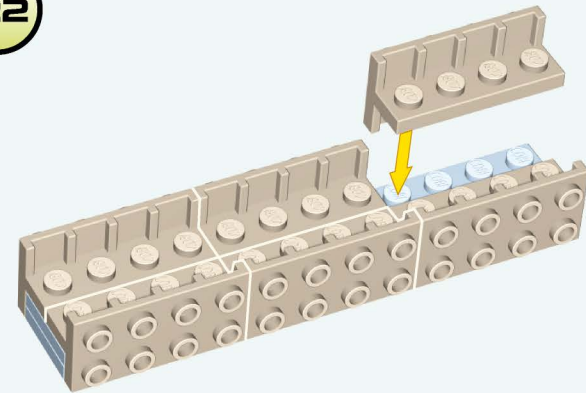
120



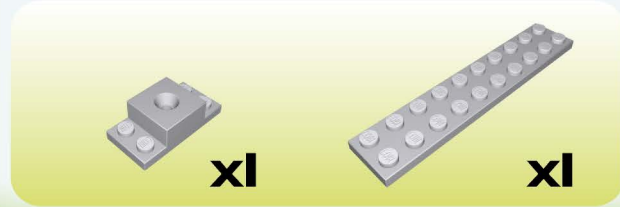
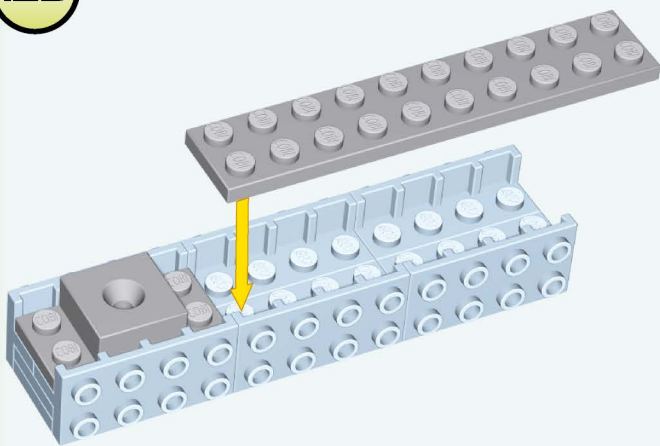
121



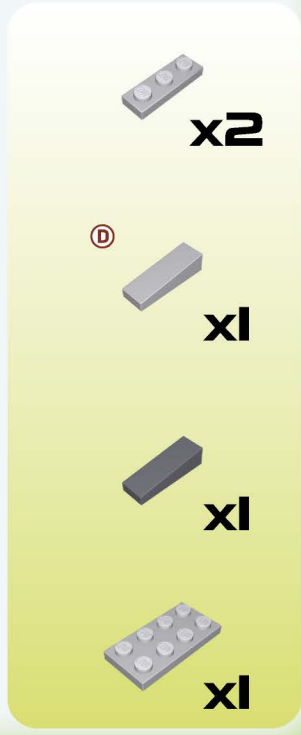
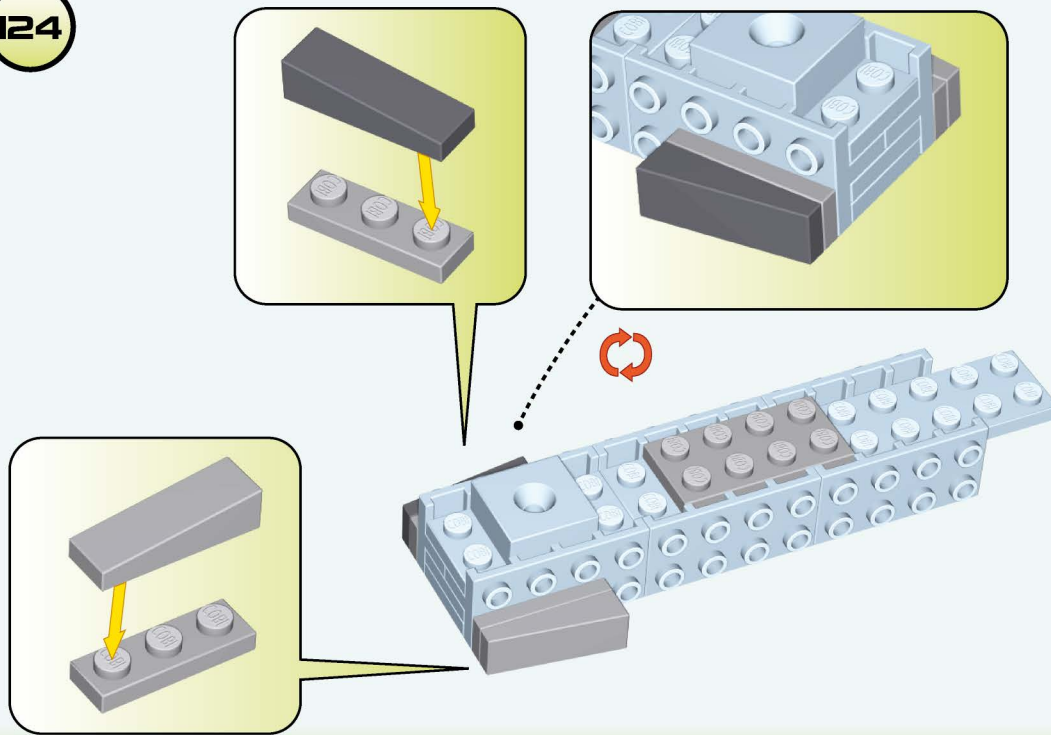
122



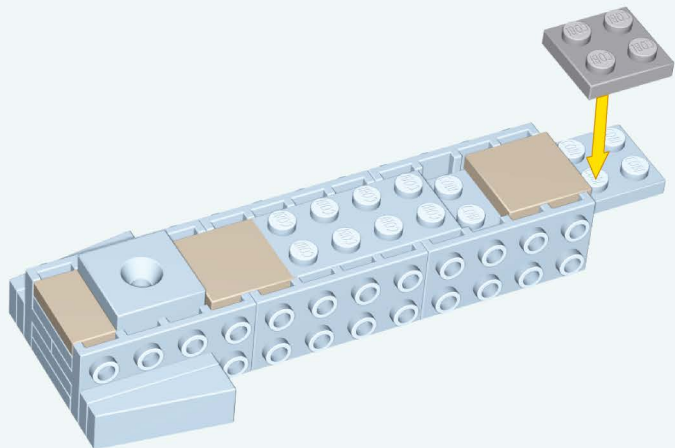
123



124



125



1:1



x1

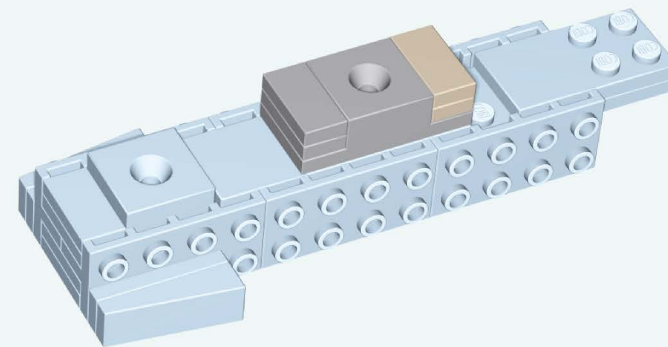
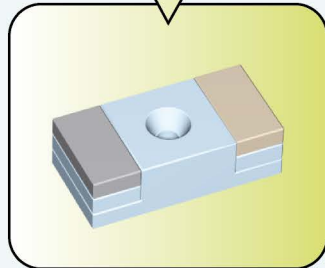
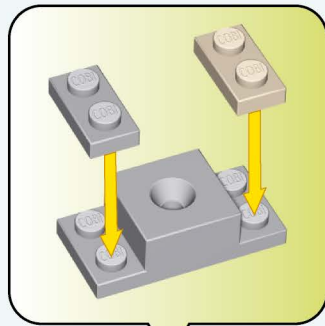


x2



x1

126



1:1



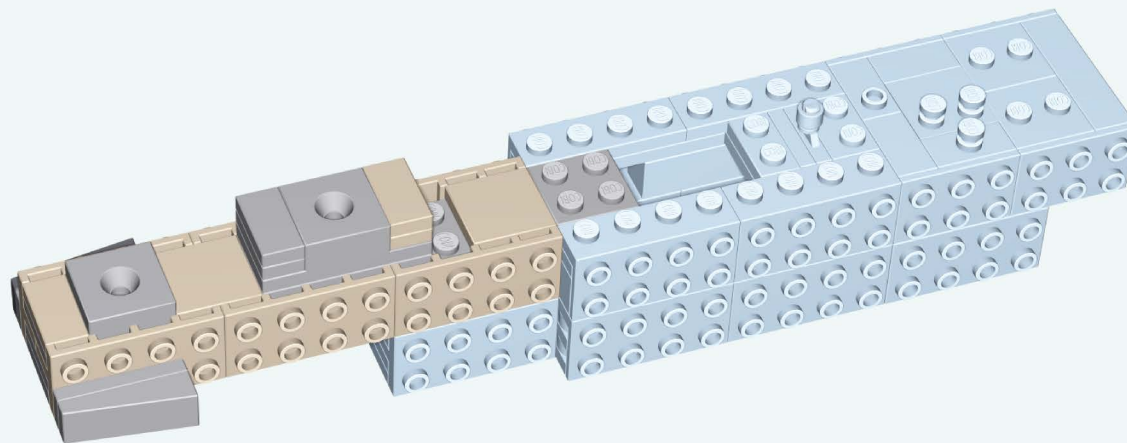
x1

1:1

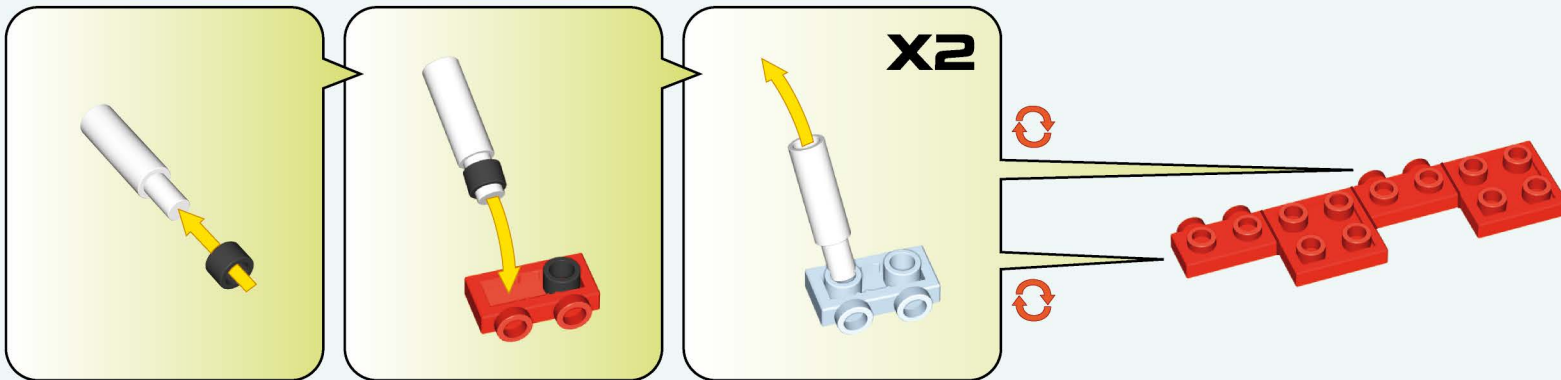


x1

127



128

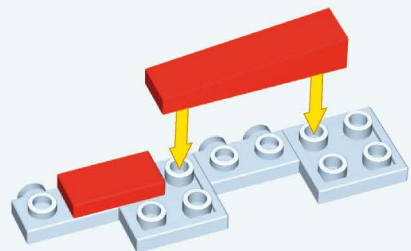


 x2

 x4

 x2

129

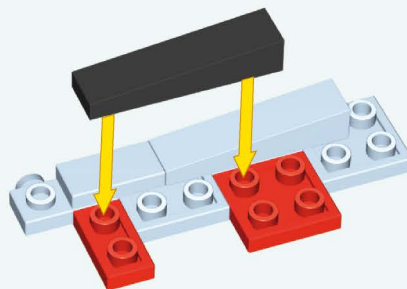


1:1


 x1


 x1

130

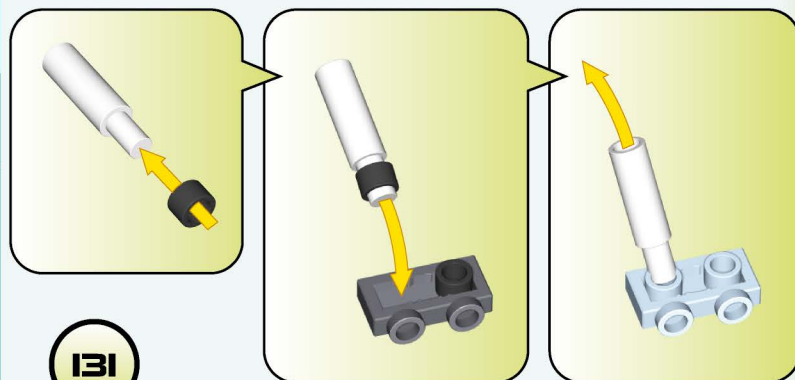


 x1

 x1

 x1

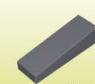
131



 x1

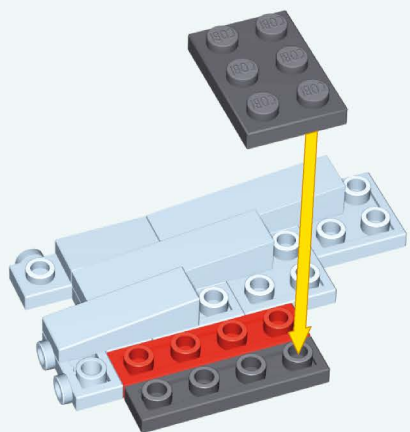
 x2

 x1

 x1



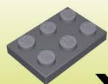
132



x1

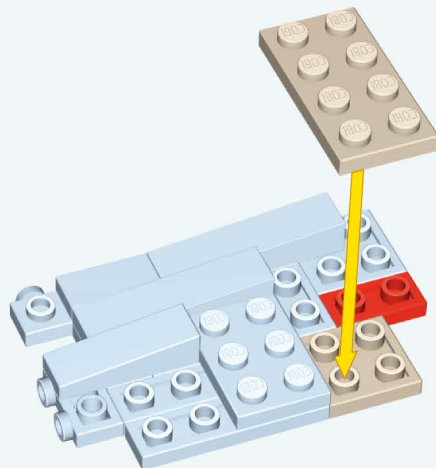


x1



x1

133



x1

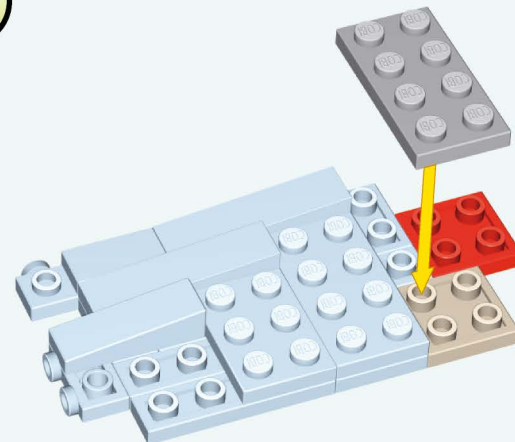


x1



x1

134



x1



x1



x1

135



x1



x1

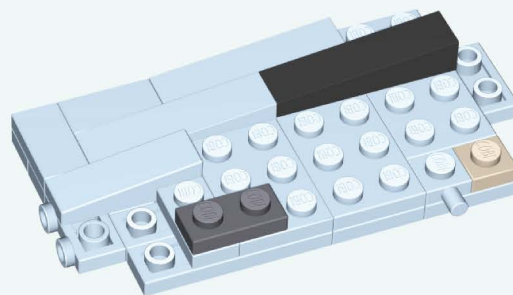


x1



x1

136



x1

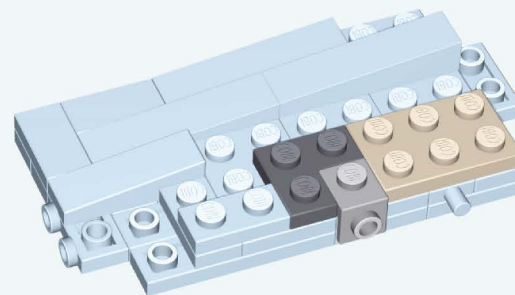


x1



x1

137



x1

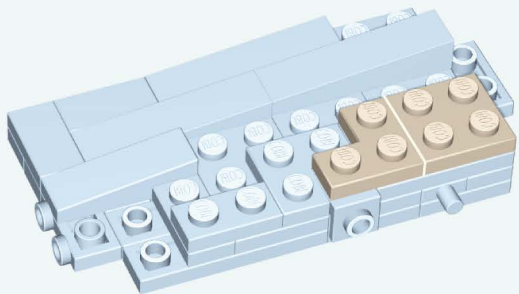


x1



x1

138

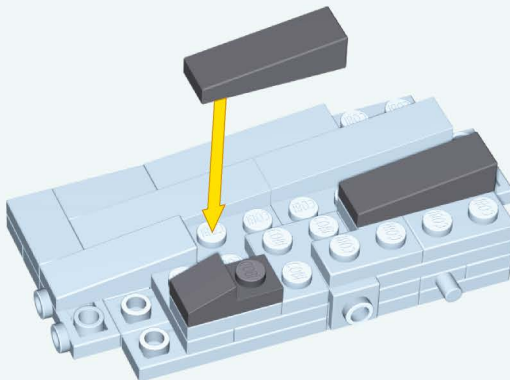


x1



x1

139

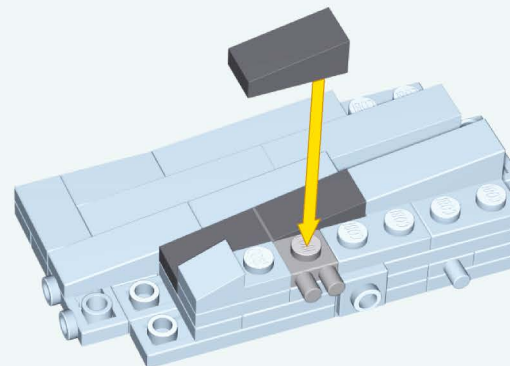


x1



x2

140

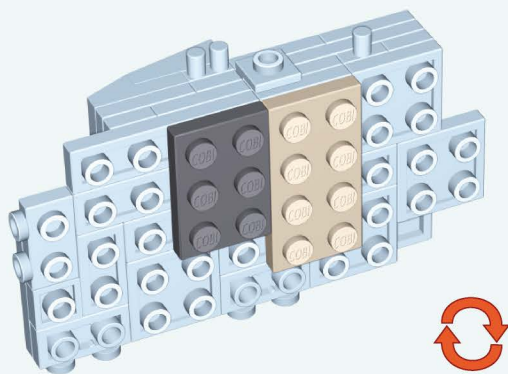


x3



x1

141

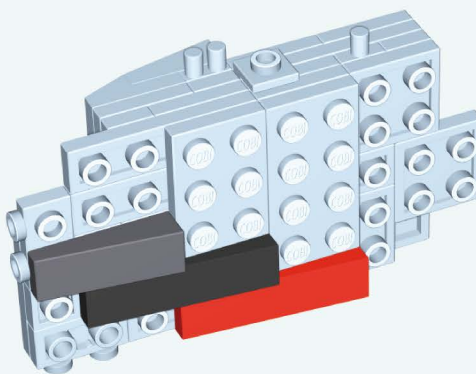


x1



x1

142



x1

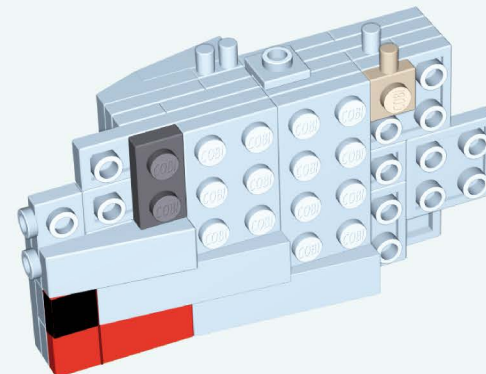


x1



x1

143



1:1



x1



x1

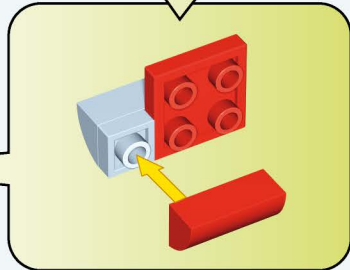
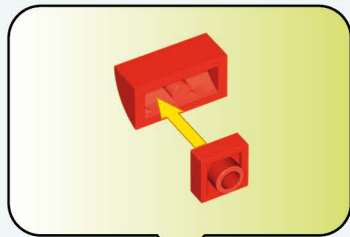
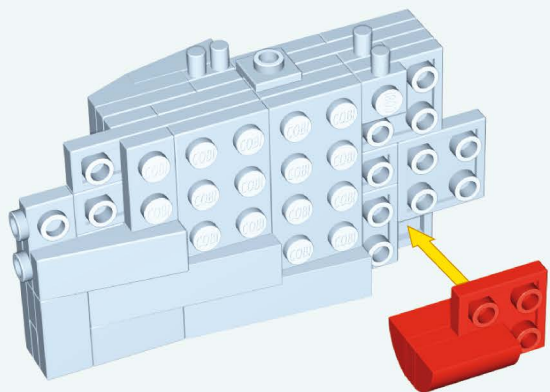


x1



x1

144



x2

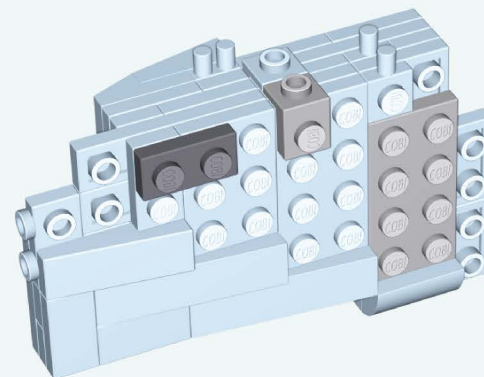


x1



x1

145



x1

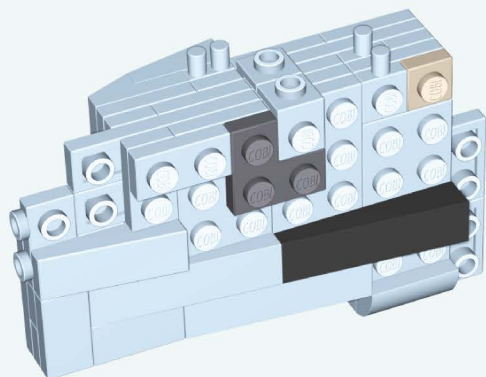


x1



x1

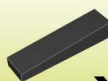
146



x1

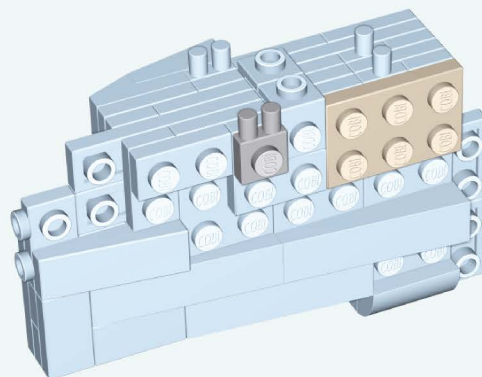


x1



x1

147

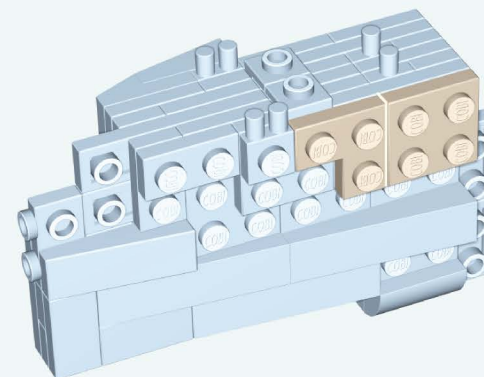


x1



x1

148

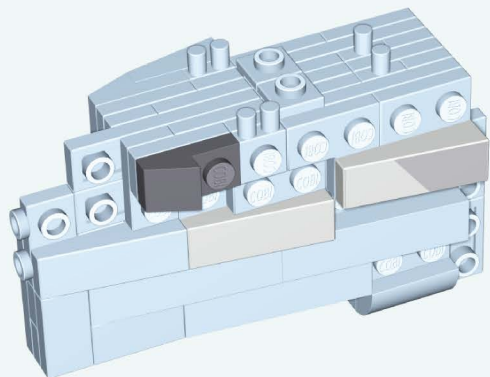


x1



x1

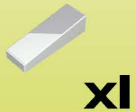
149



x1

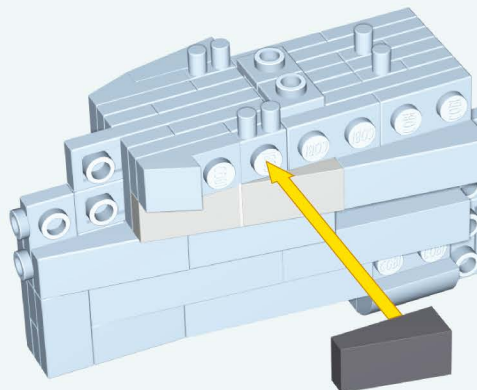


x1



x1

150

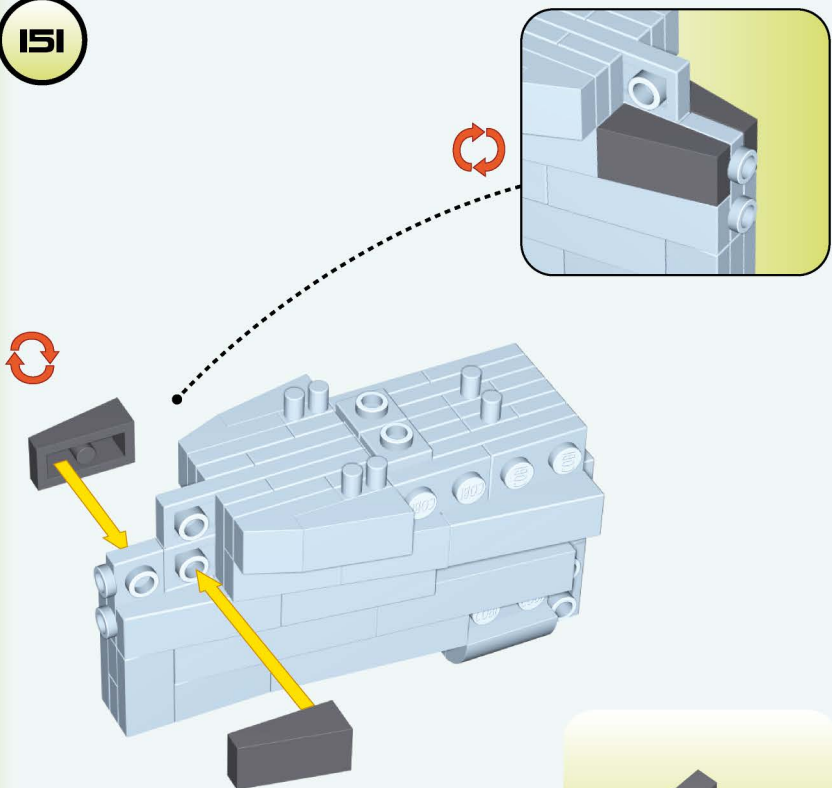


x2



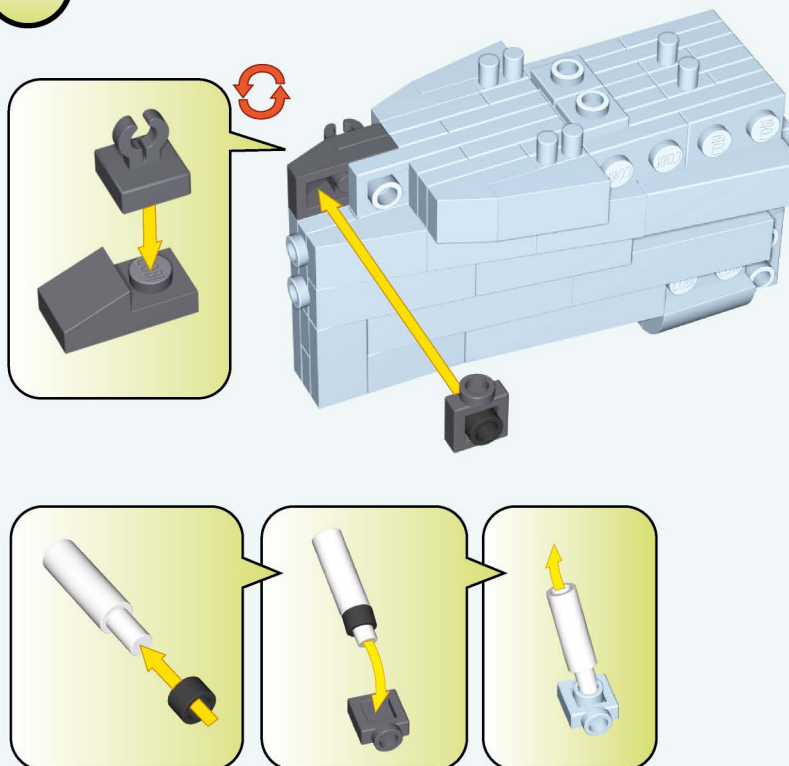
x1

151



x2

152



x1



x1

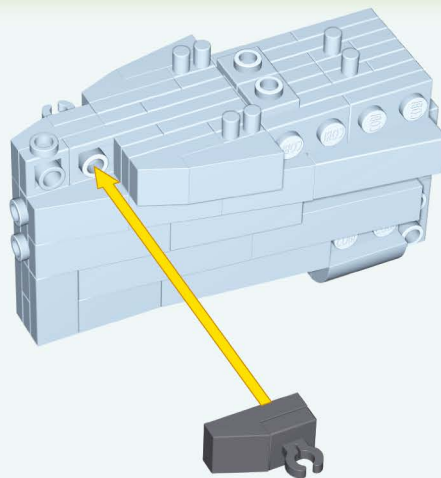
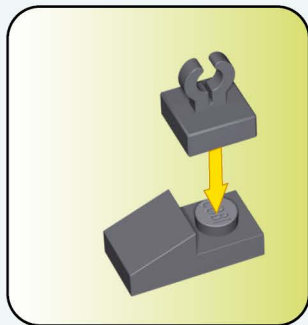


x1



x1

153

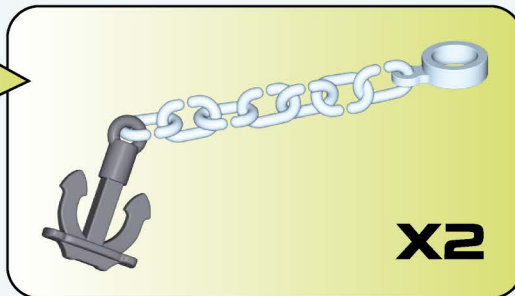
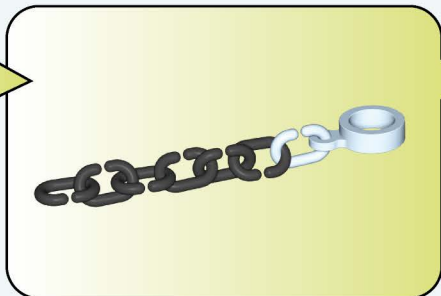


x1

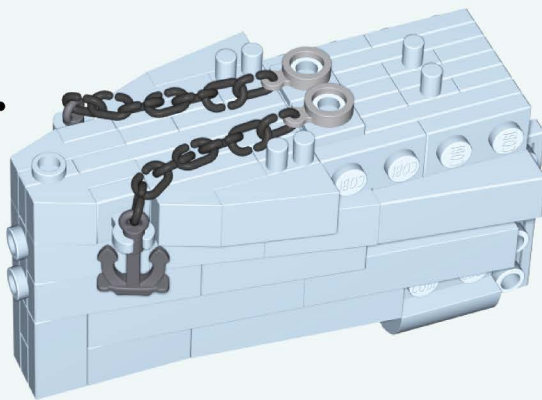


x1

154



x2



x2

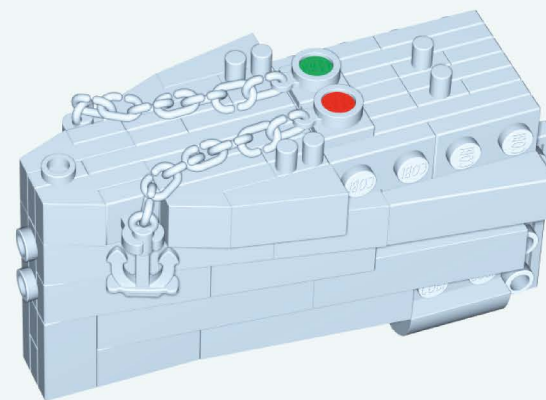


x14



x2

155

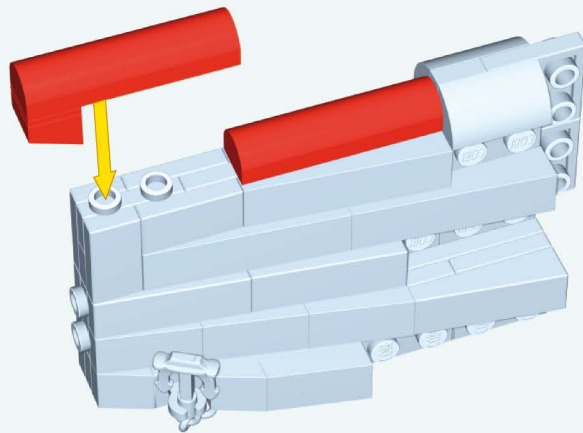
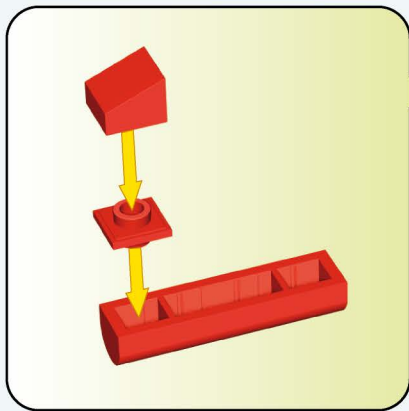


x1



x1

156



x2

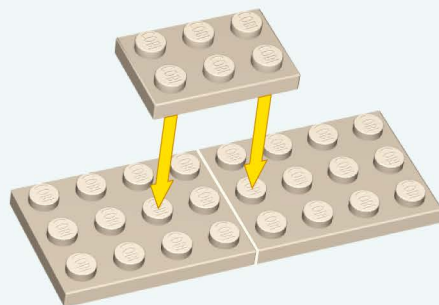
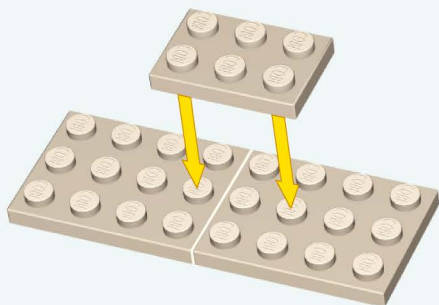


x1



x1

157



x4



x2

158



x2



x2



x2

159



x2



x2



x2



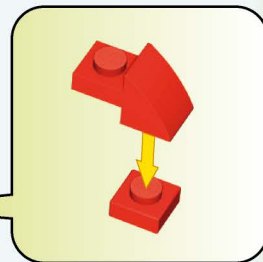
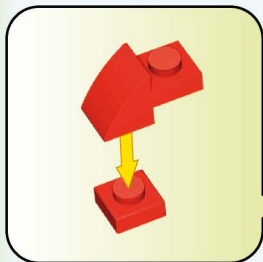
160



x6



x2



161



x2

B



x2



x2



x1

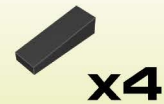
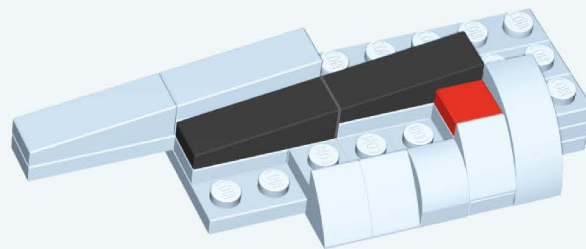
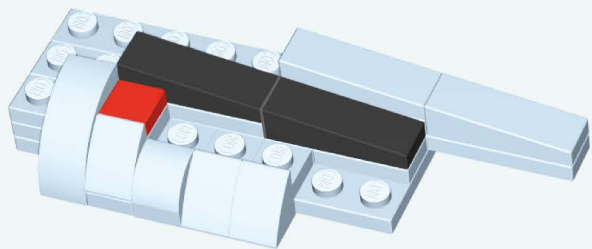
D



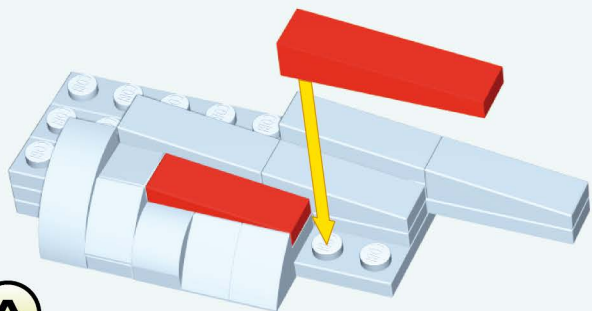
x1



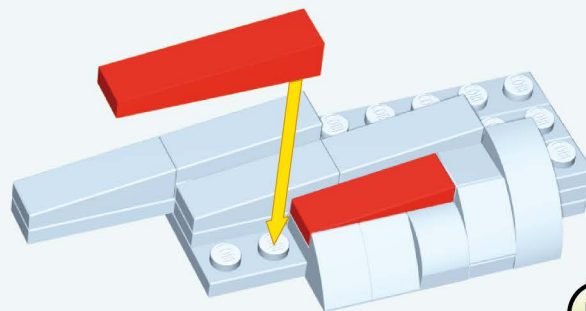
162



163



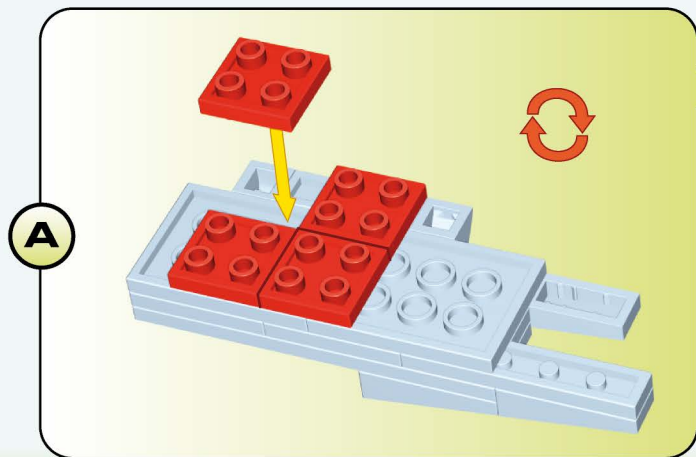
A



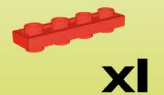
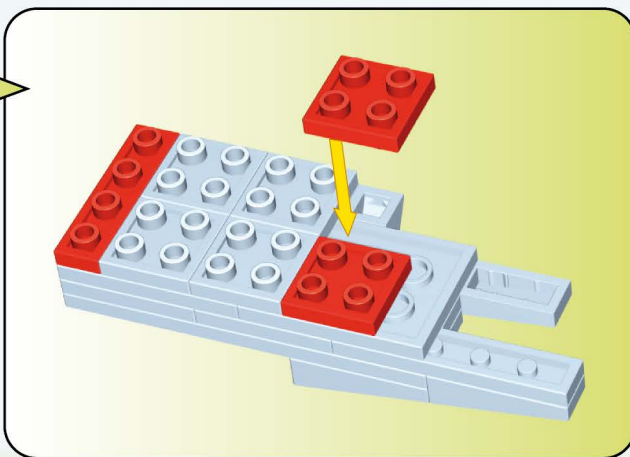
B



164

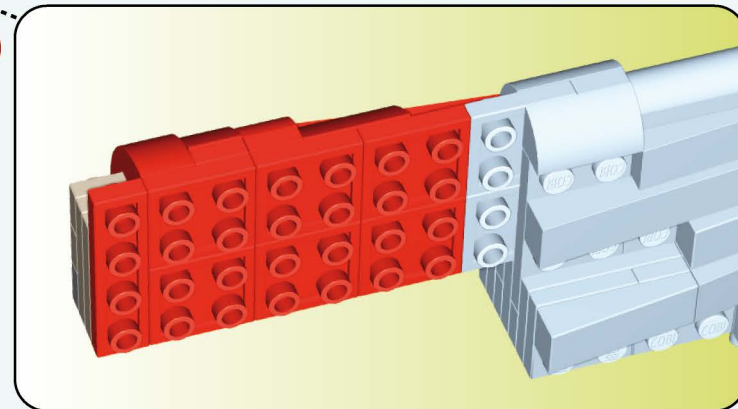
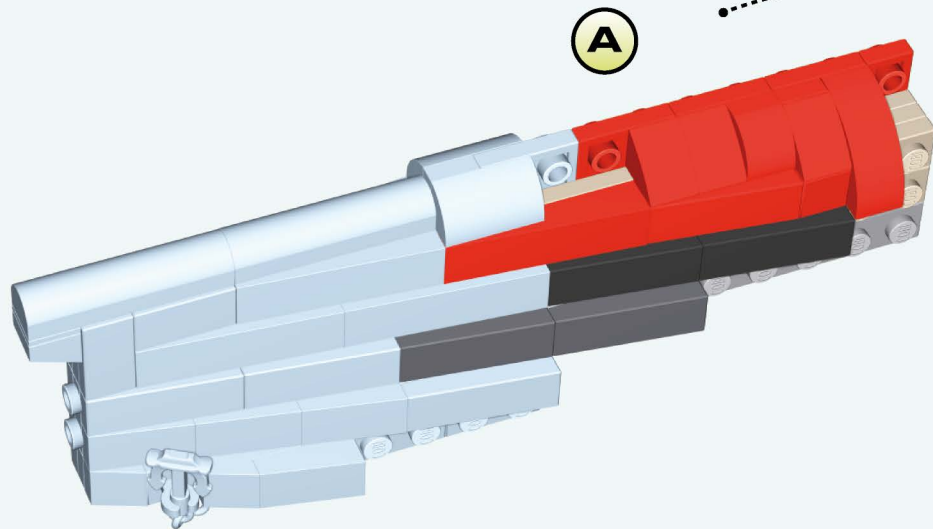


A

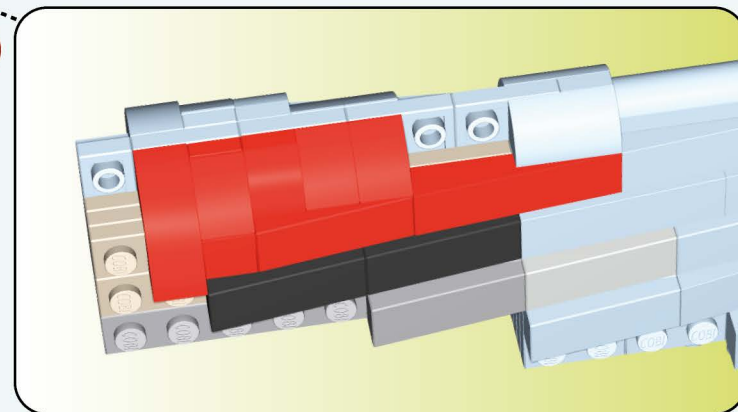
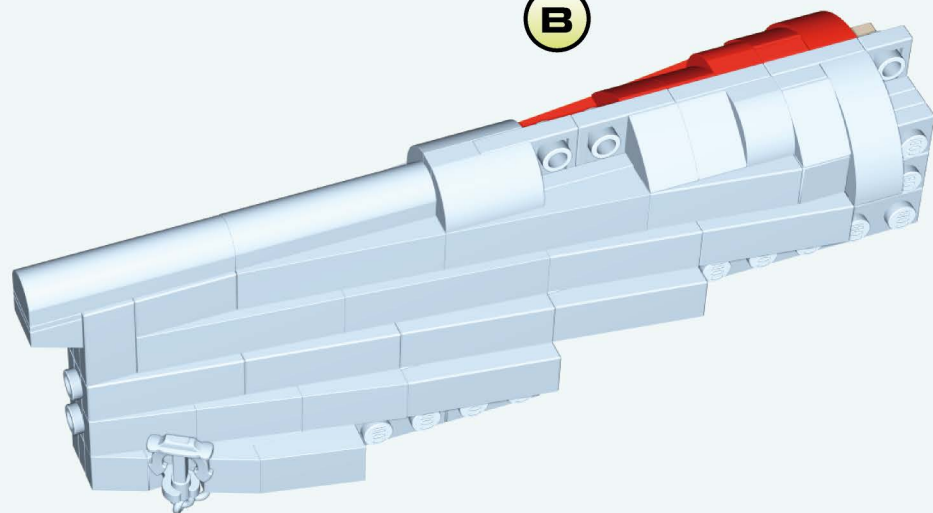




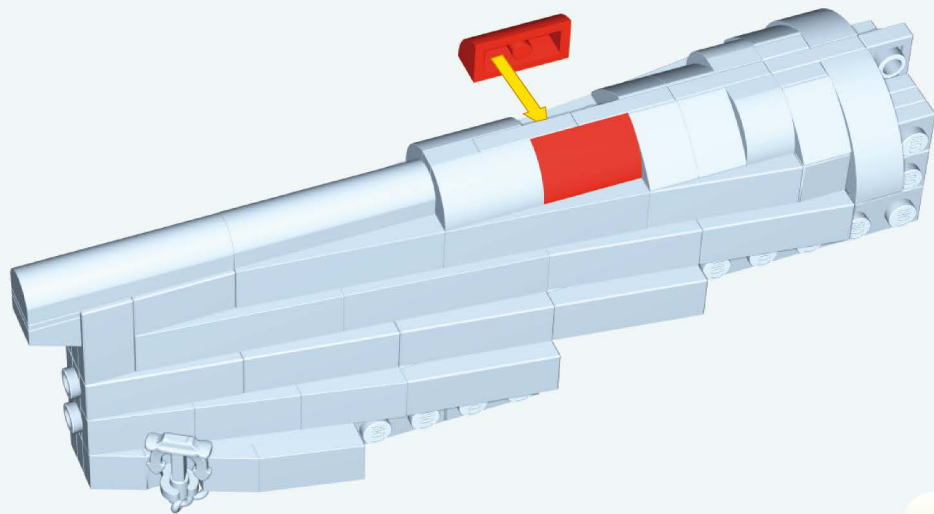
165



166

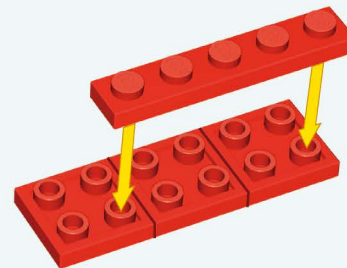


167



x2

168

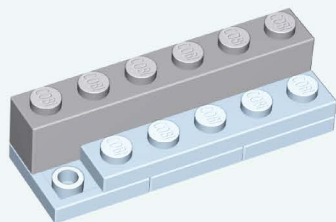


x3



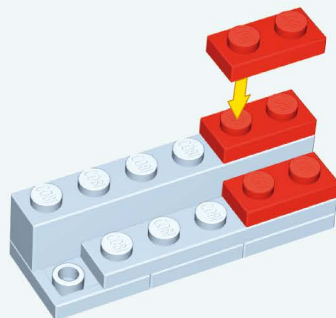
x1

169



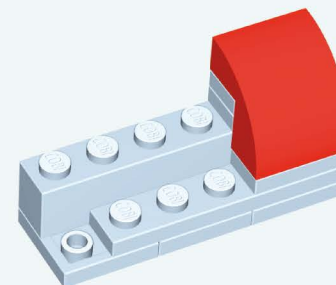
x1

170



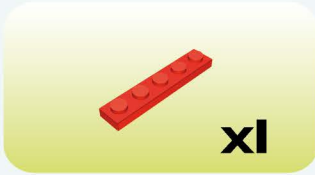
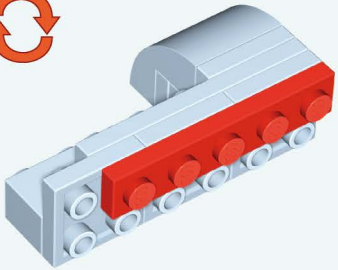
x3

171

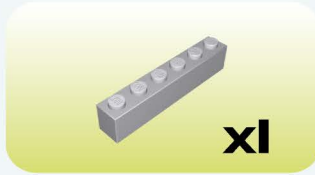
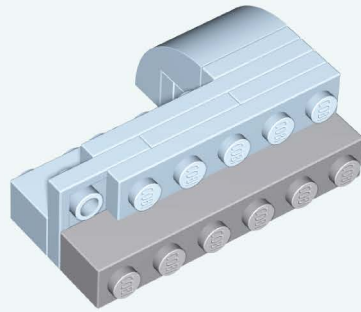


x1

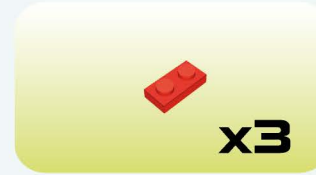
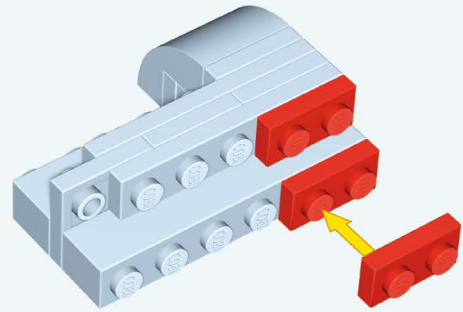
172



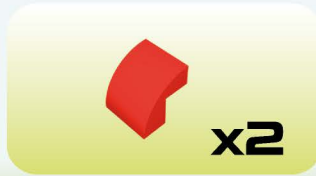
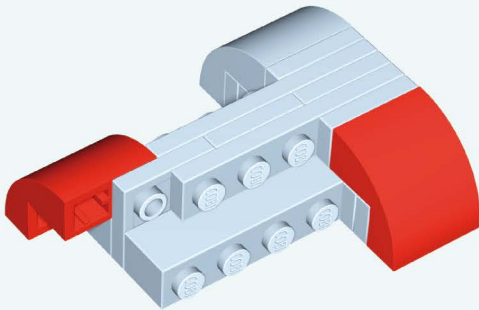
173



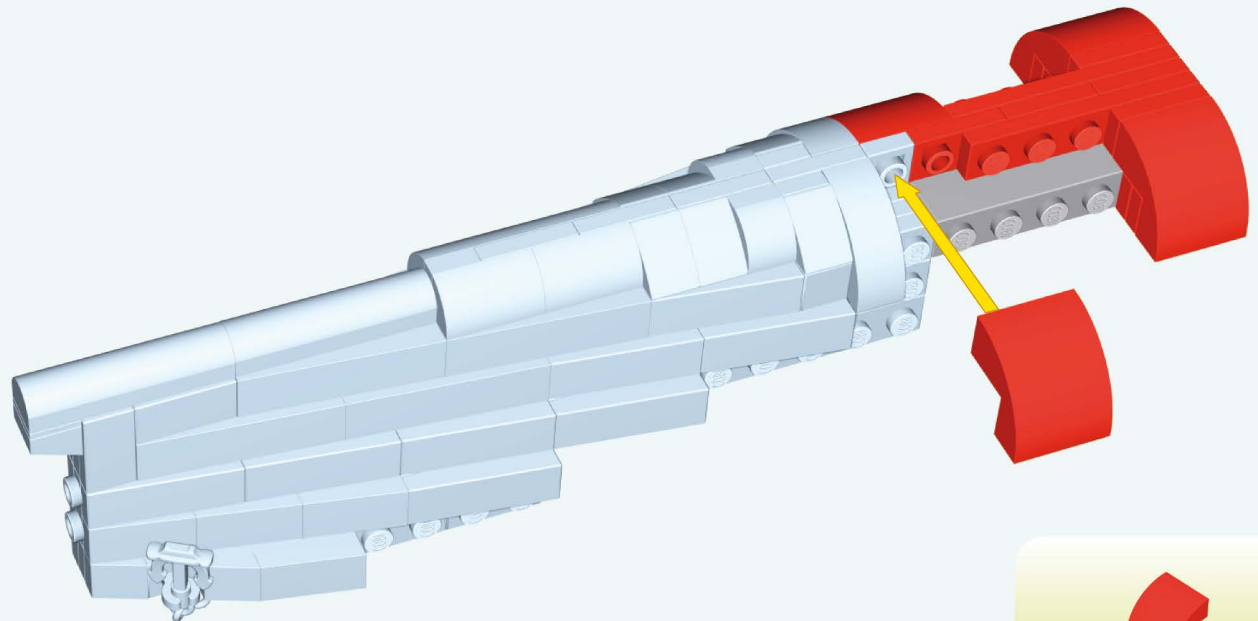
174



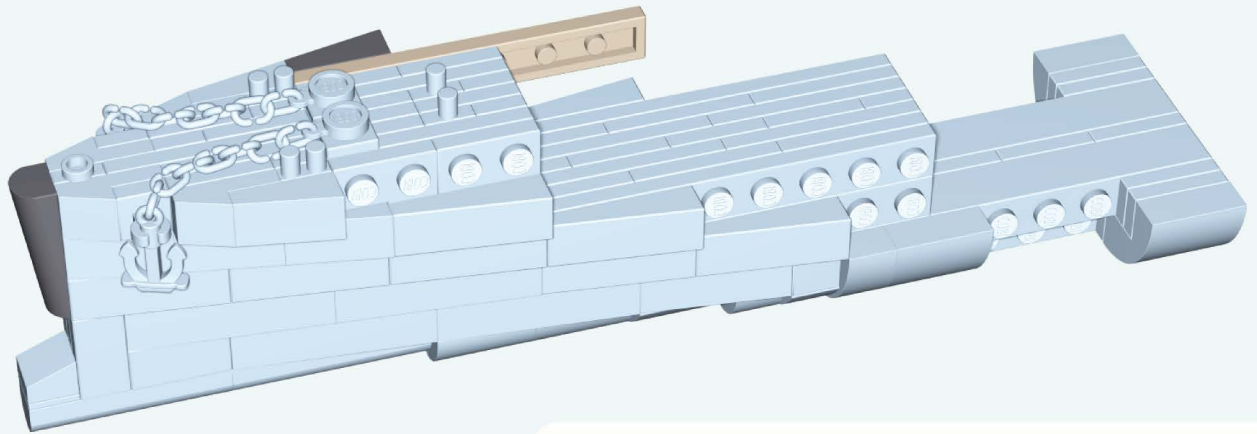
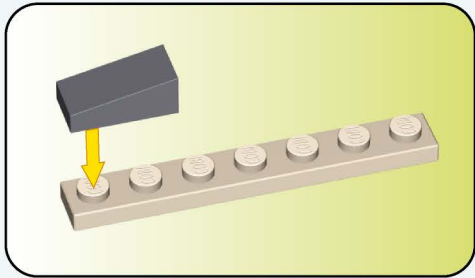
175



176



177



x1

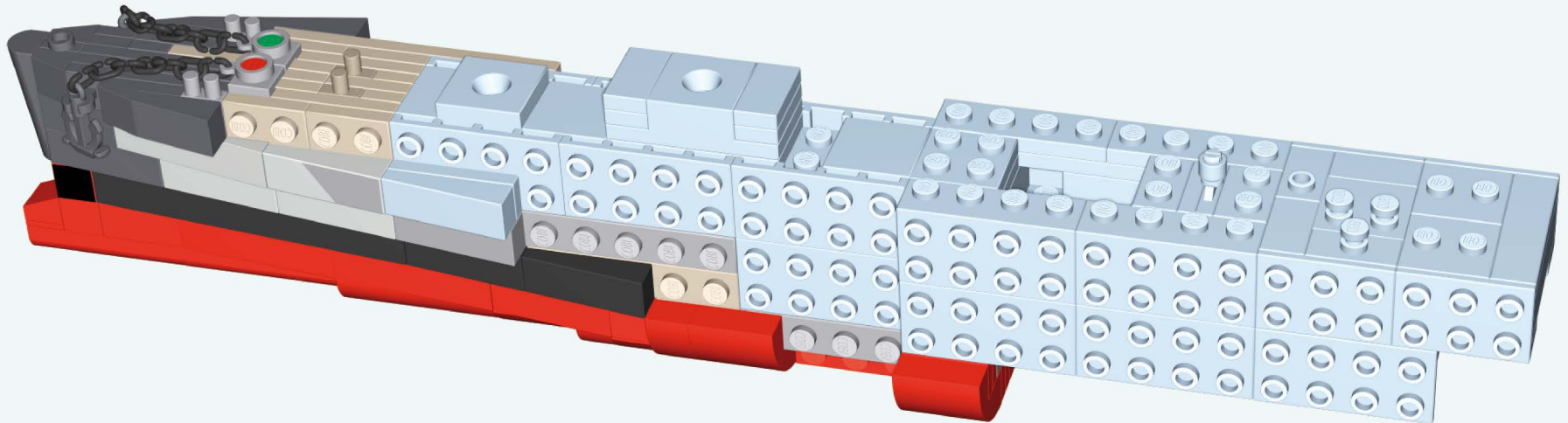


x1

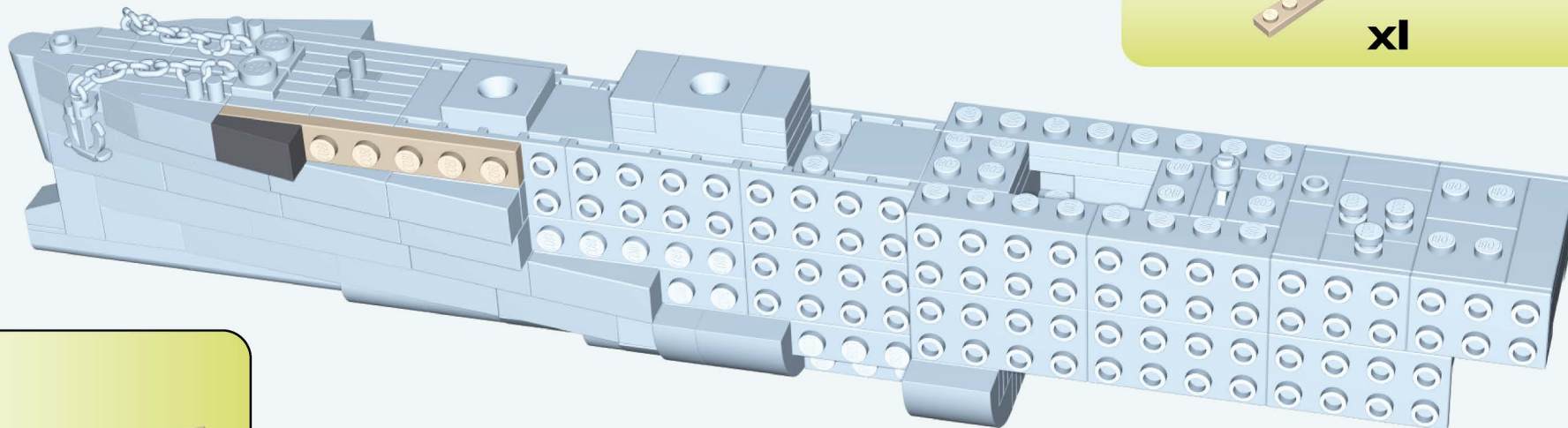


x1

178



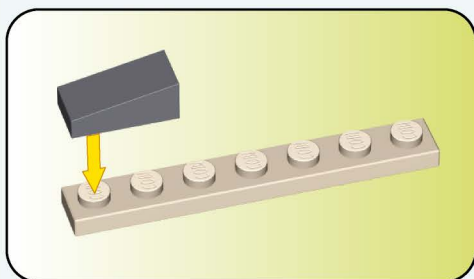
179



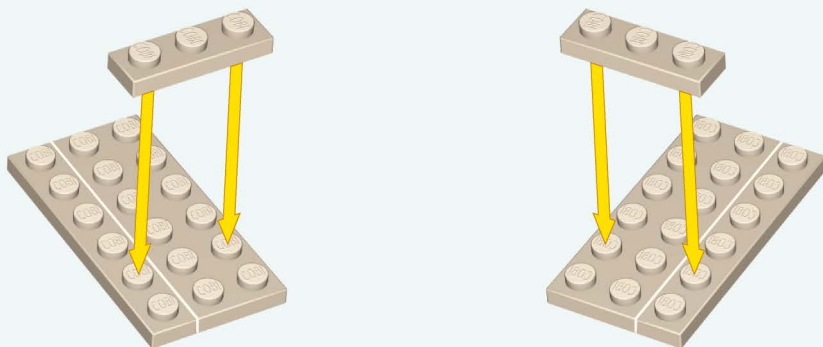
x1



x1



180



x2

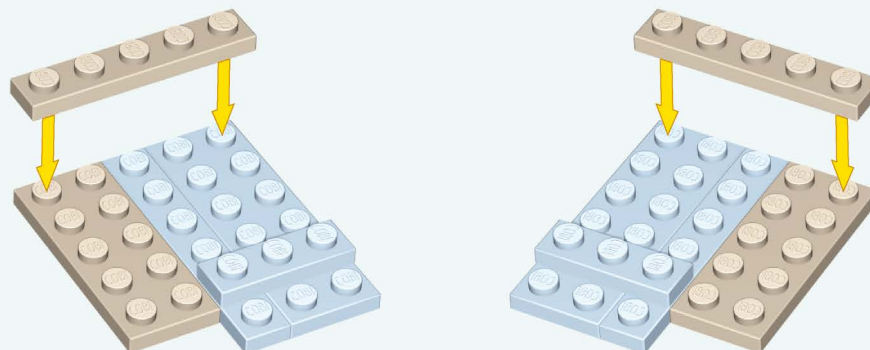


x2



x2

181

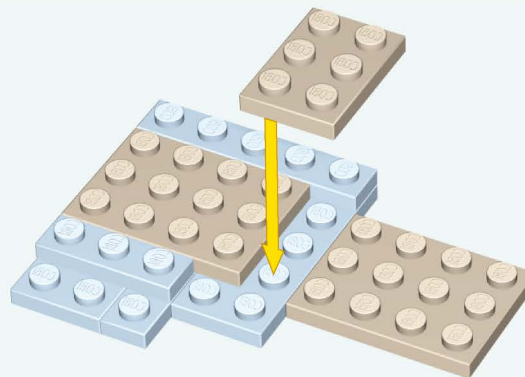
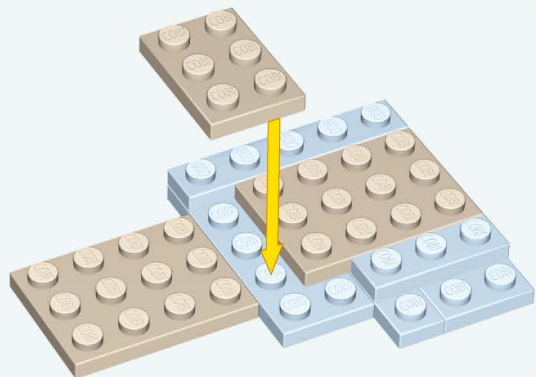


x2



x2

182

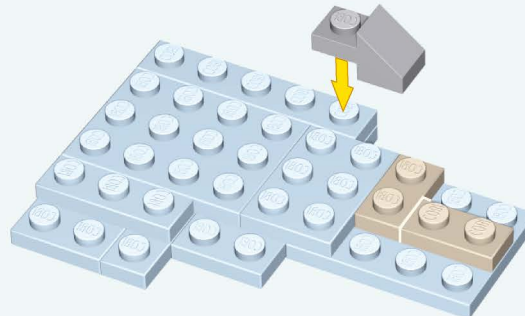
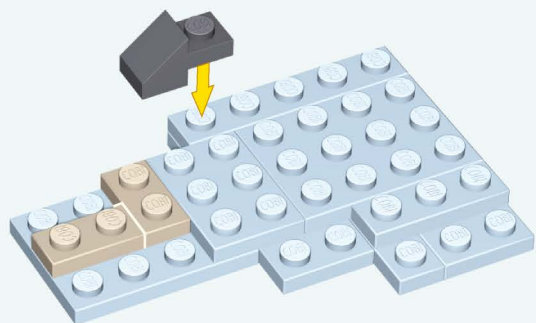


x4



x2

183



x4

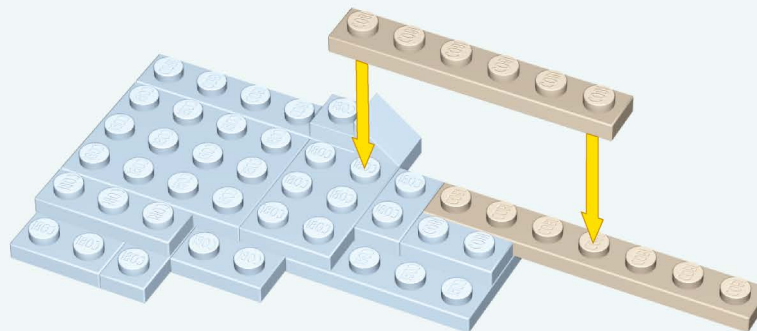
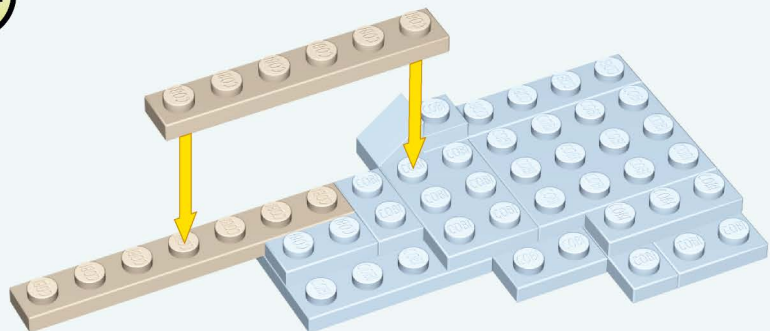


x1



x1

184

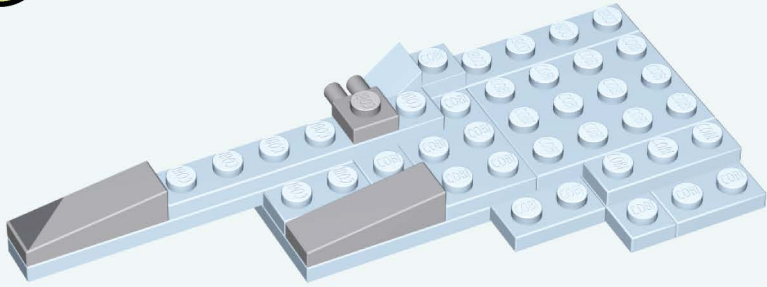






x2



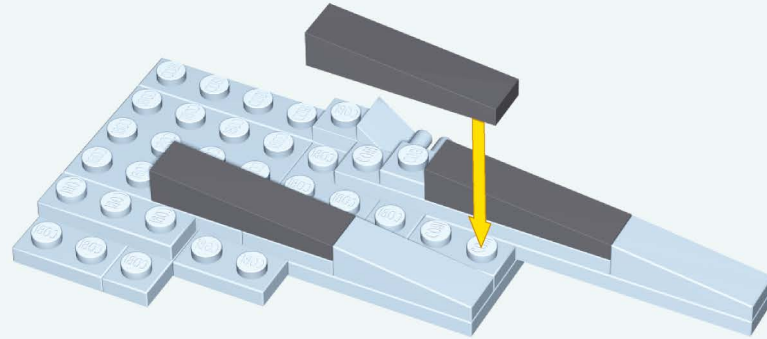
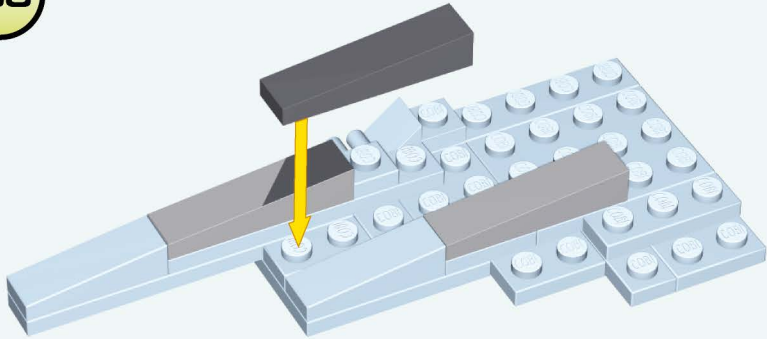
x2



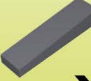
185



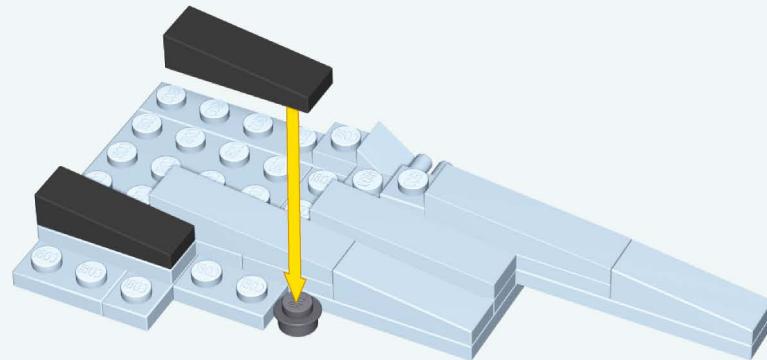
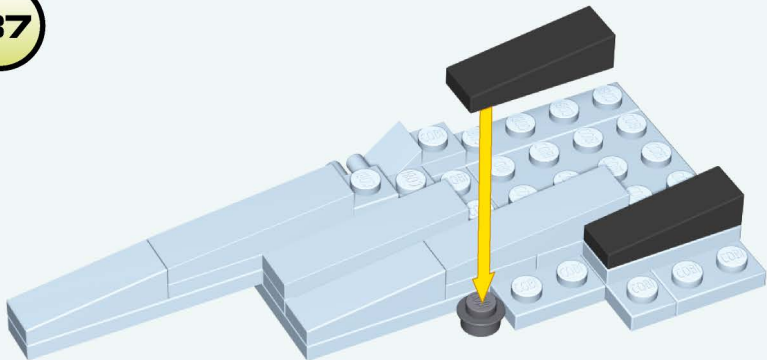
-  x1
-  x1
-  x2
-  x2

186



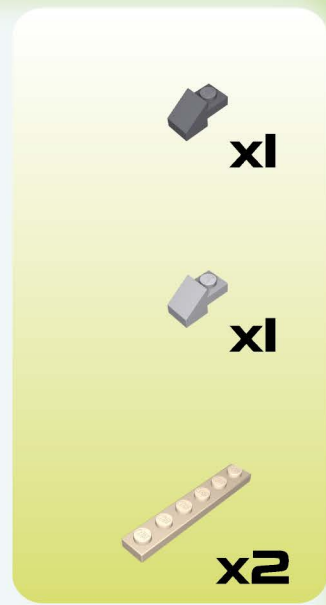
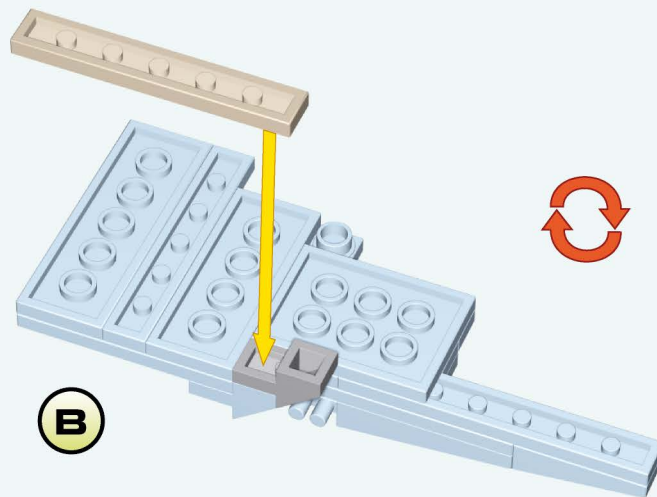
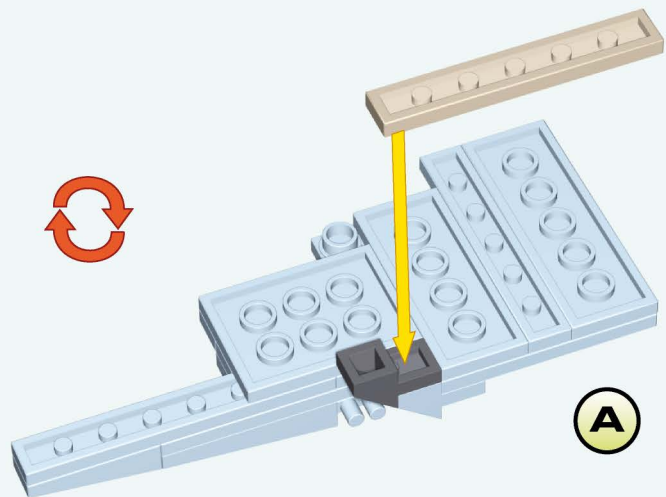
-  x1
-  x1
-  x4

187

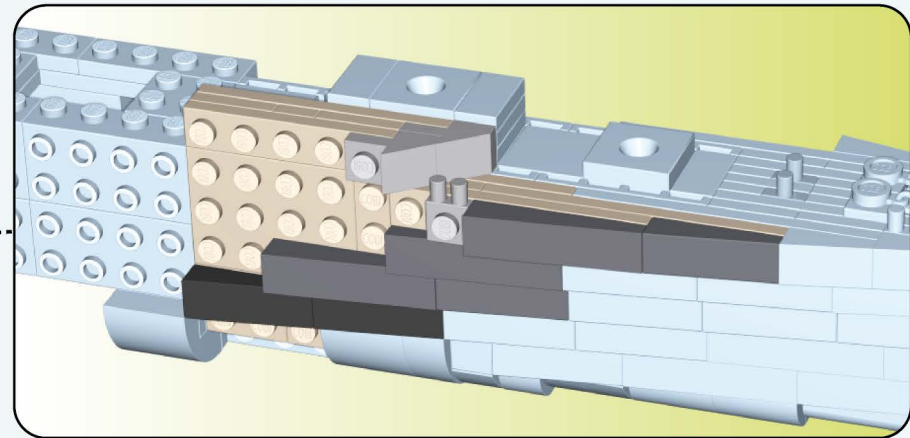
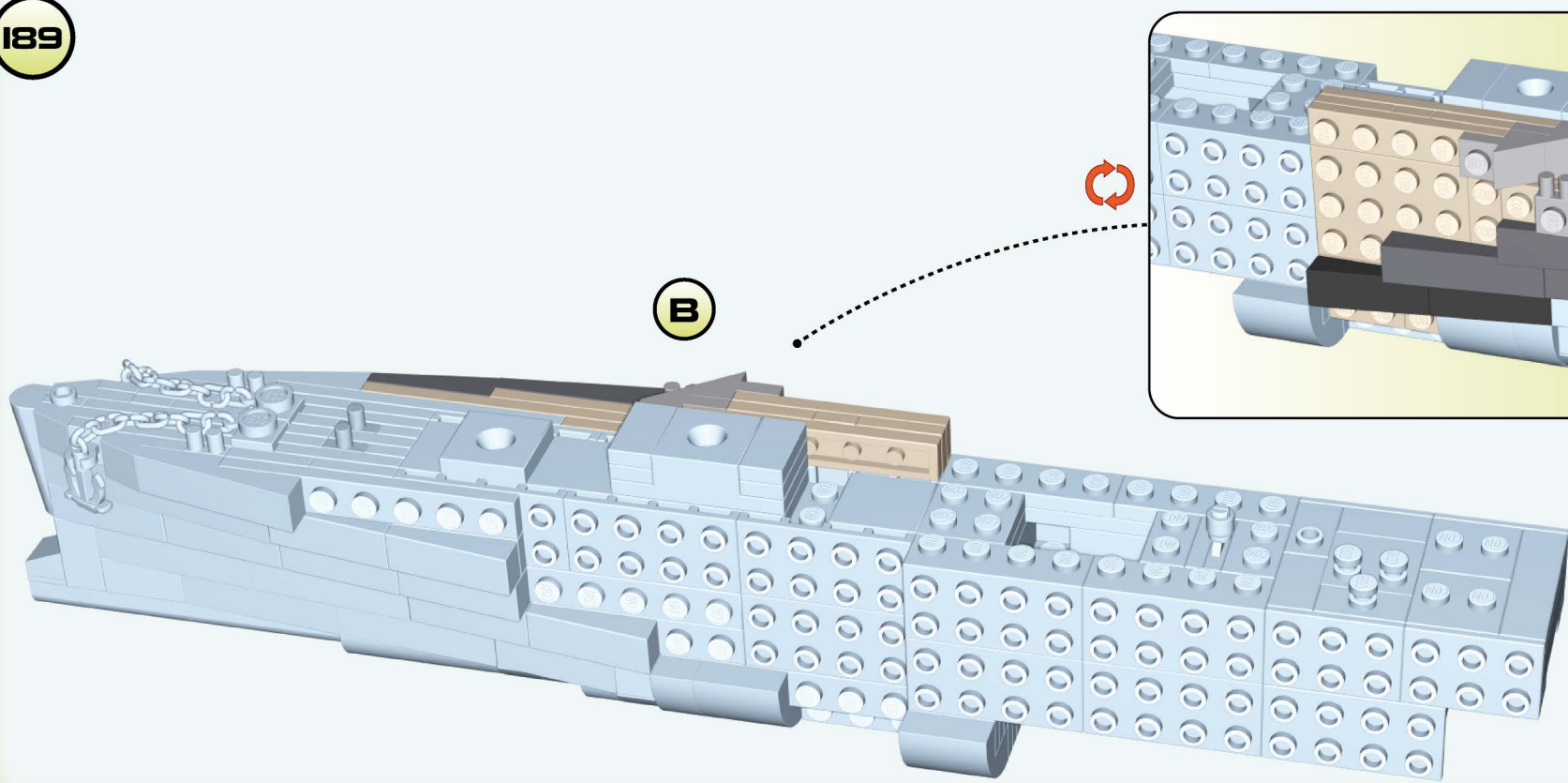


-  x2
-  x4

188

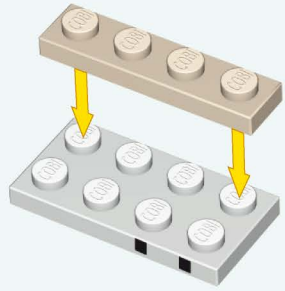


189





190

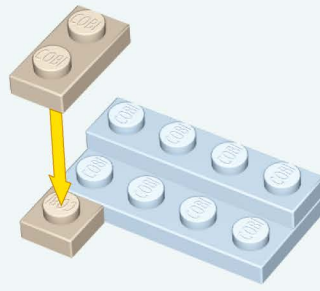


x1



x1

191

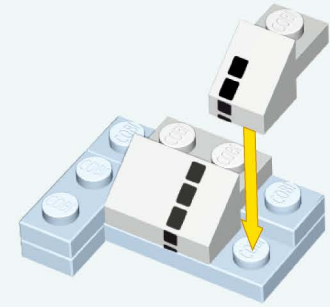


x1



x1

192

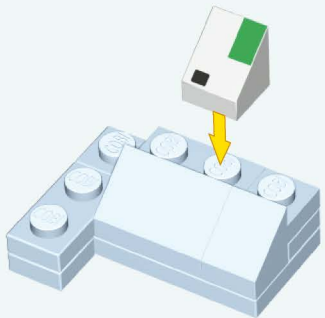


x1



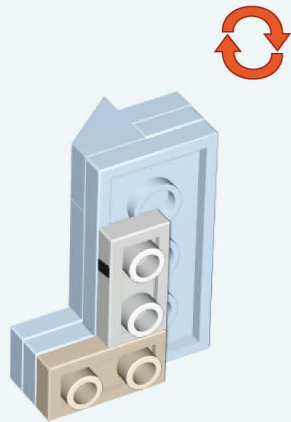
x1

193



x1

194

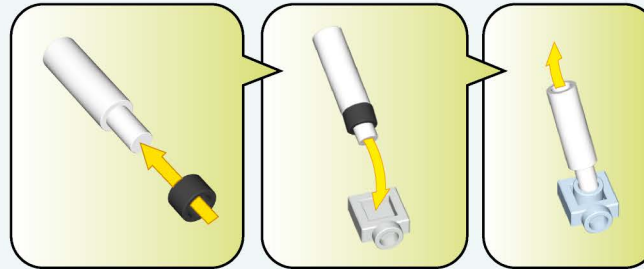


x1



x1

195



x1

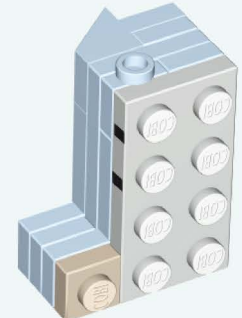


x1



x1

196

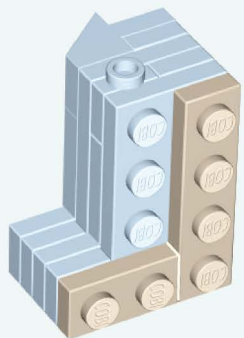


x1

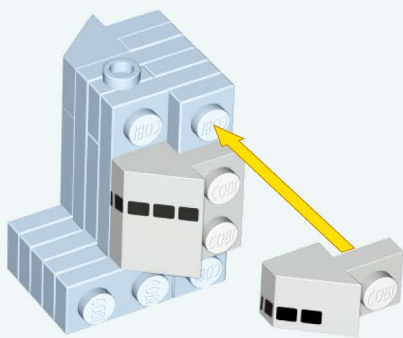


x1

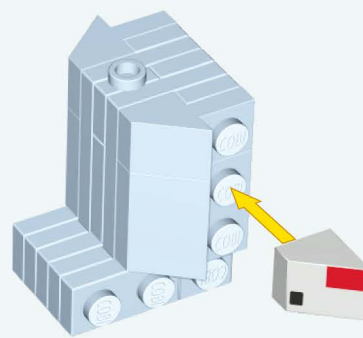
197



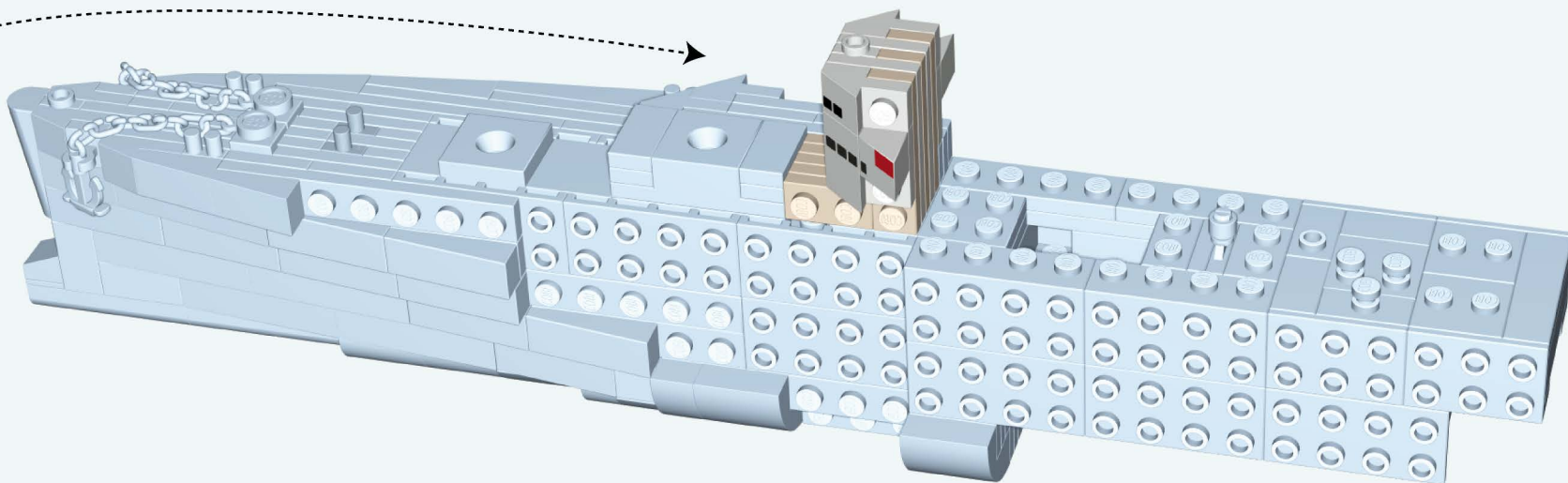
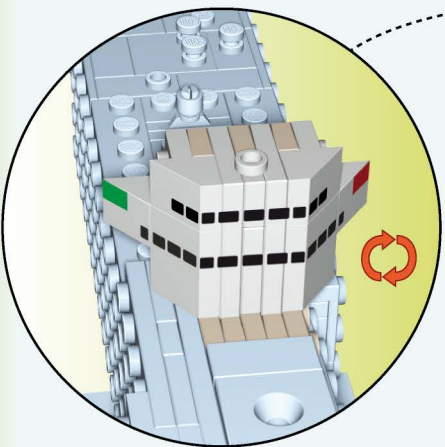
198



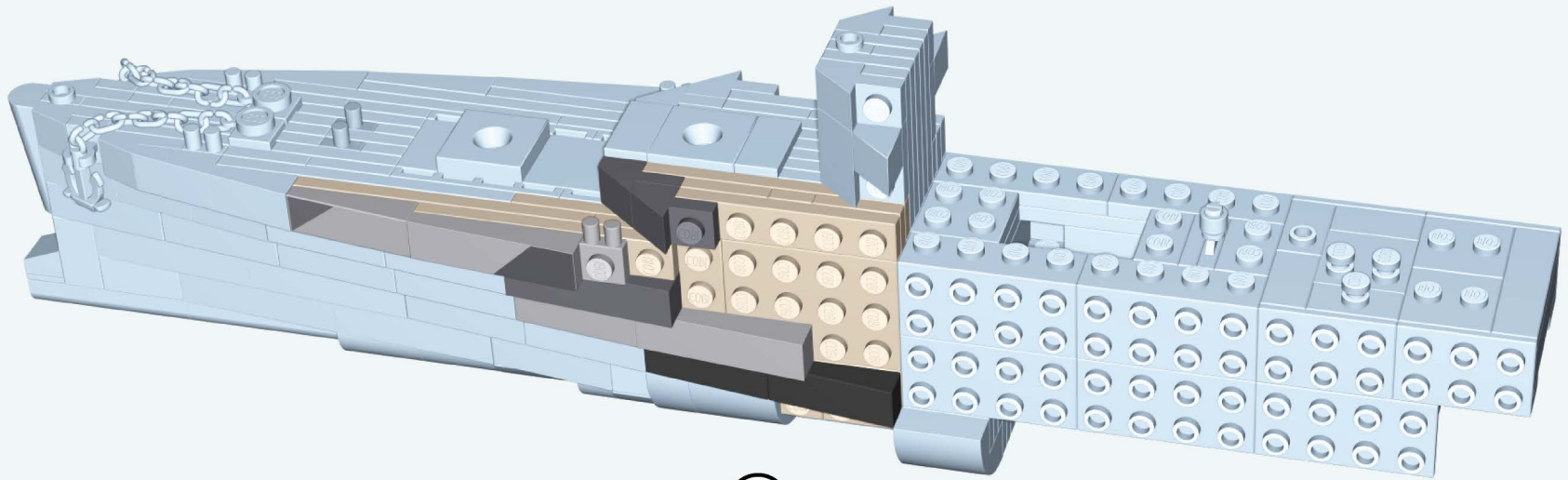
199



200

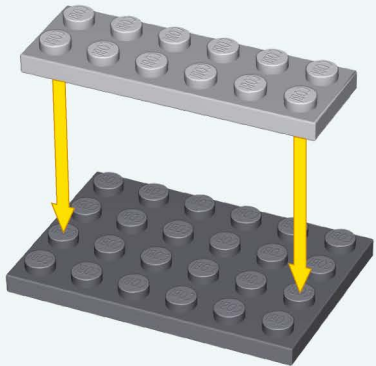


201



A

202



x1



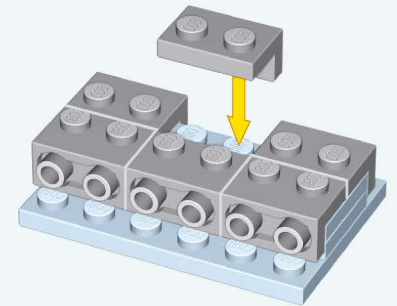
x1

203



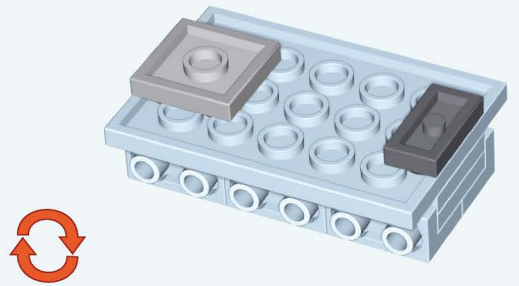
x1

204

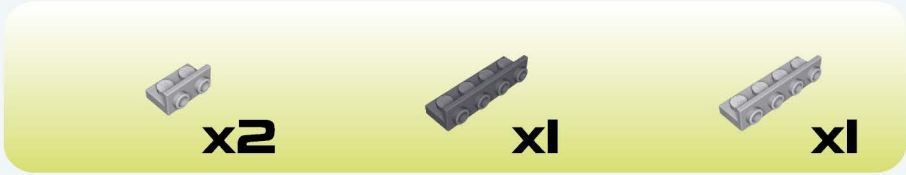
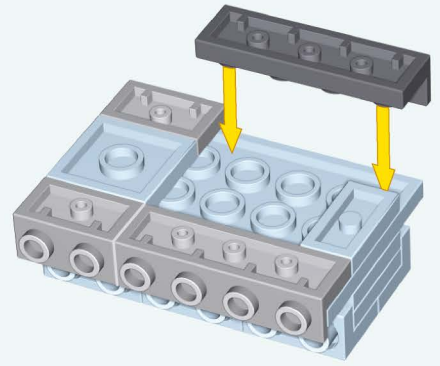


x6

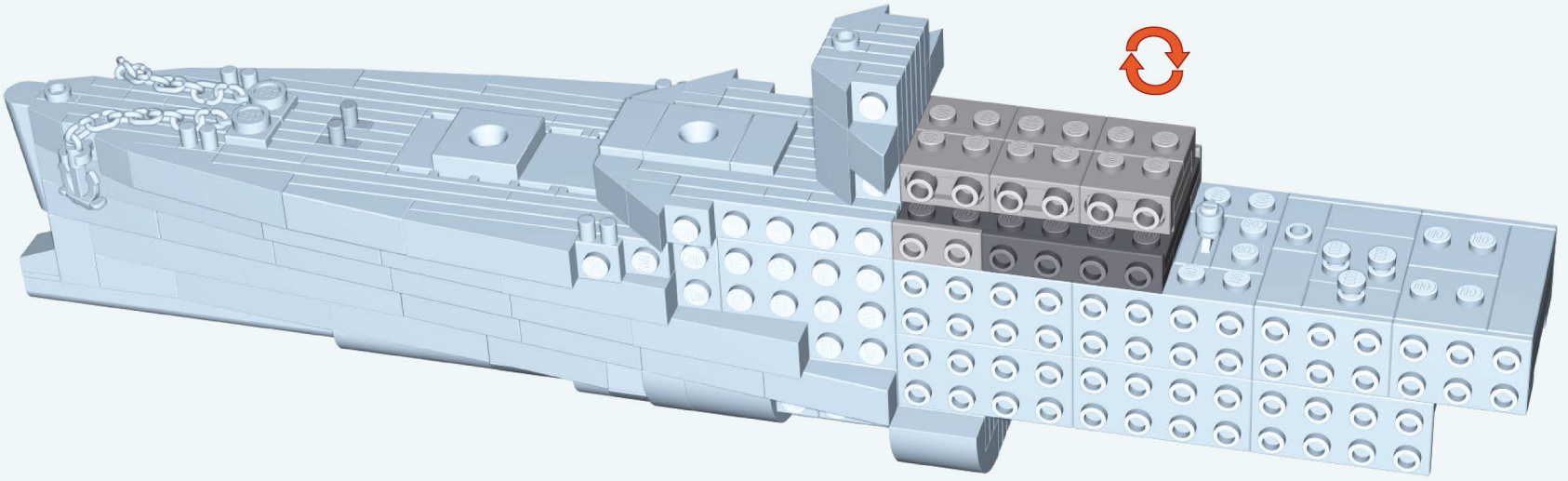
205

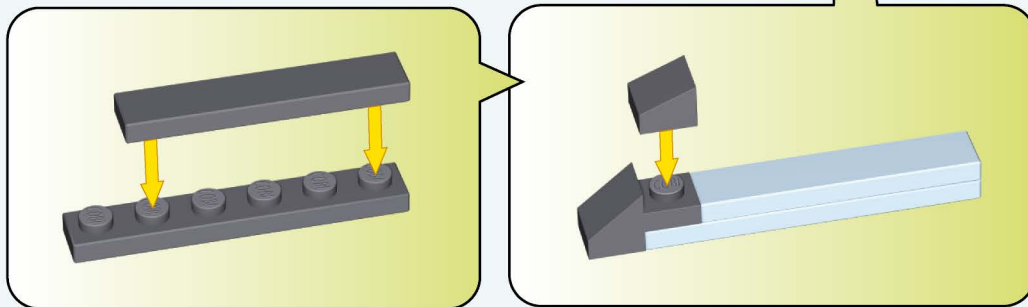
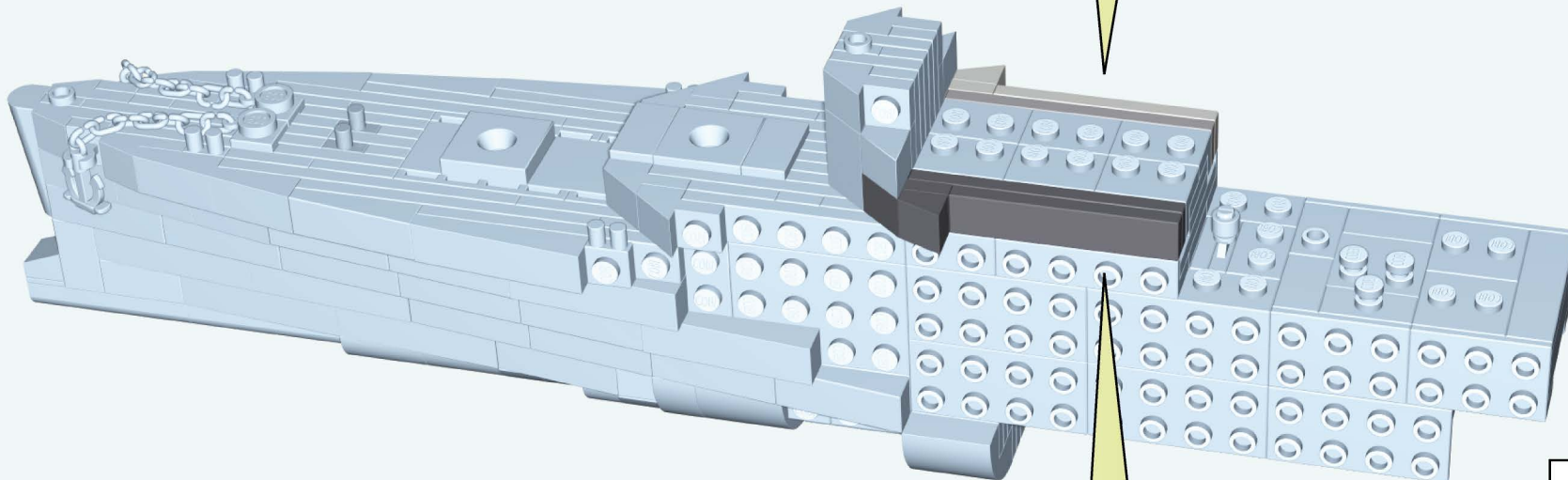
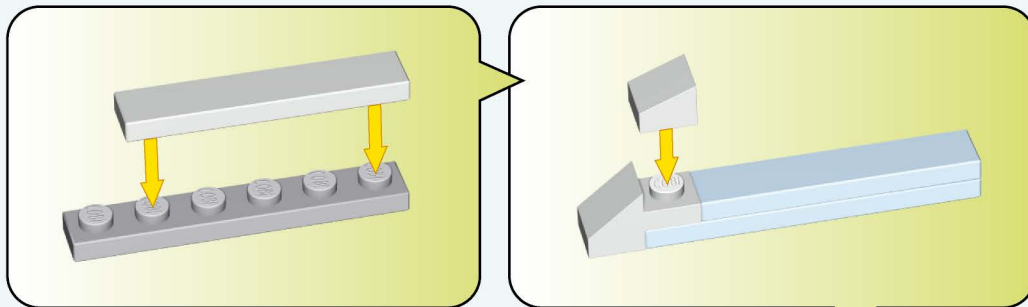


206



207





1:1



x1



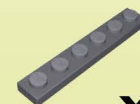
x1



x1

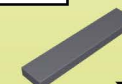


x1



x1

1:1



x1

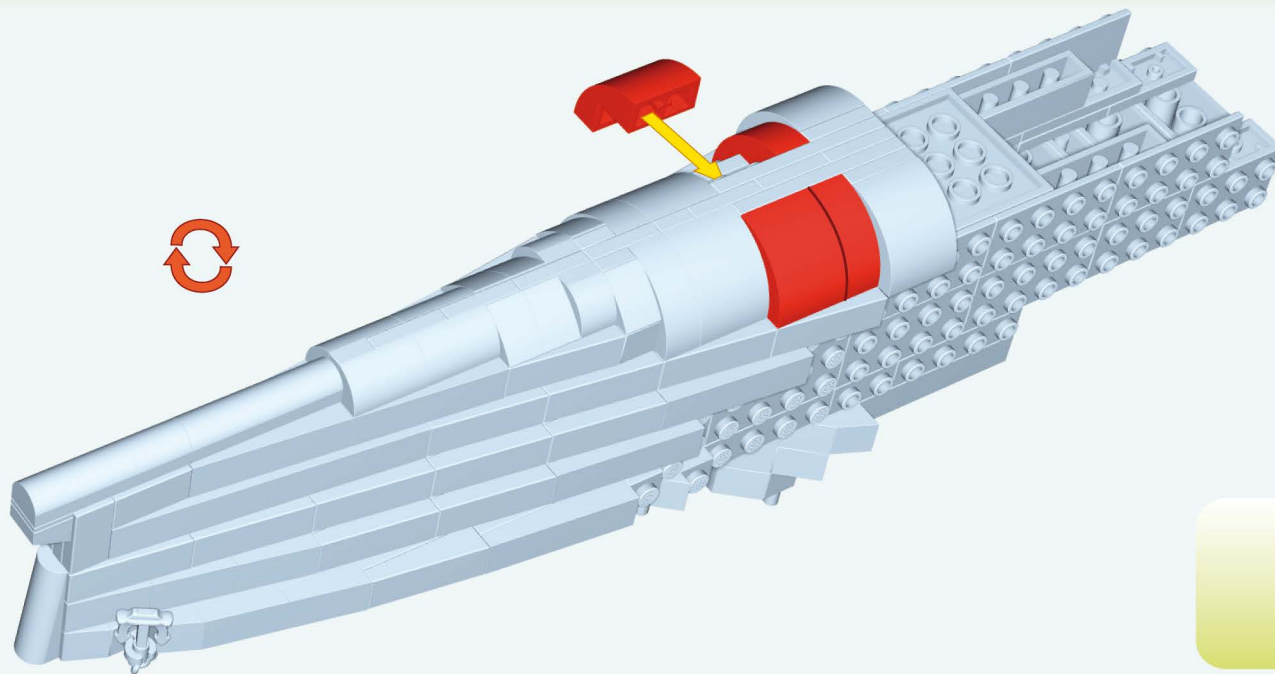


x1



x1

209

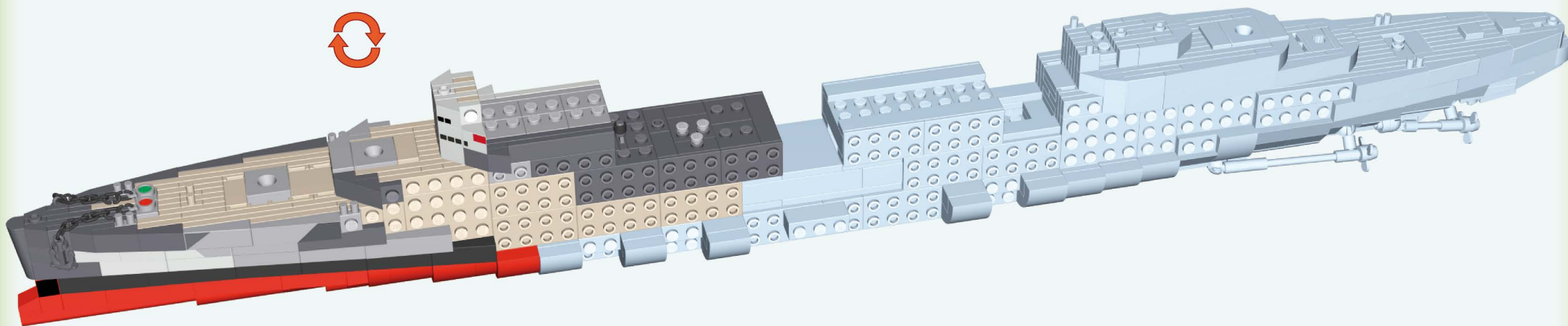


x2



x2

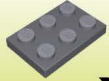
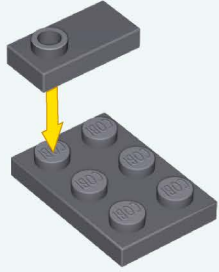
210





4

211

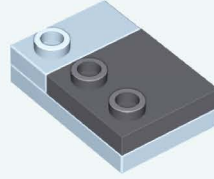


x1



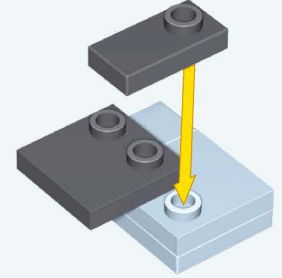
x1

212



x1

213

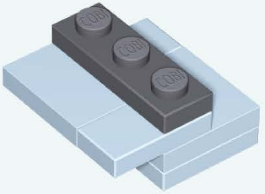


x1



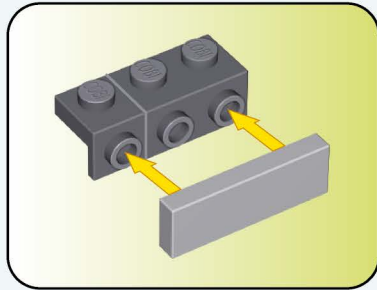
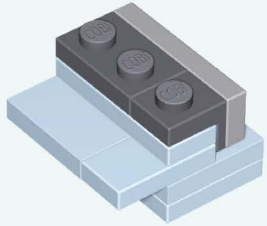
x1

214



x1

215



1:1



x1

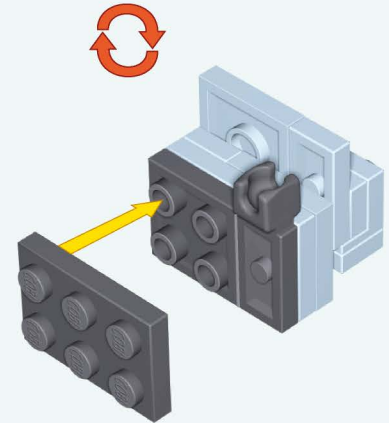


x1



x1

216



x1

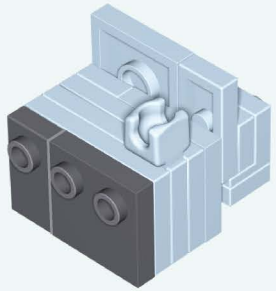


x1



x1

217

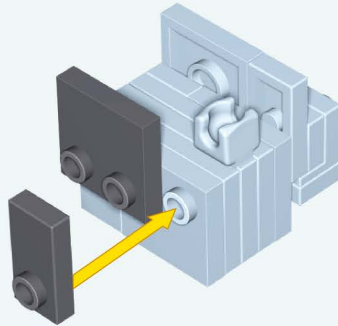


x1



x1

218

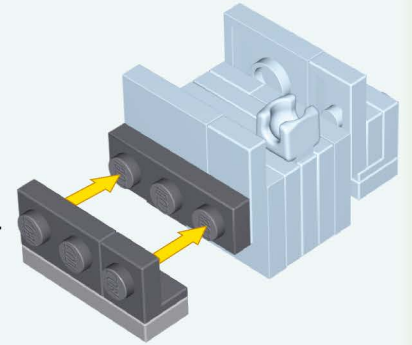
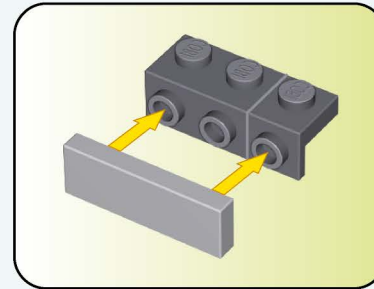


x1



x1

219



1:1



x1



x1

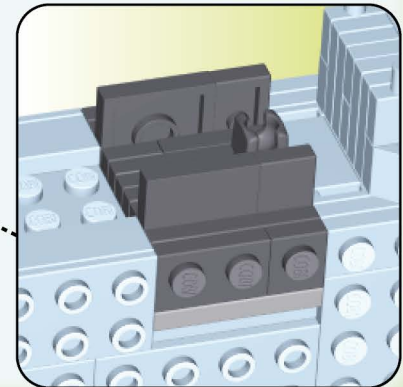
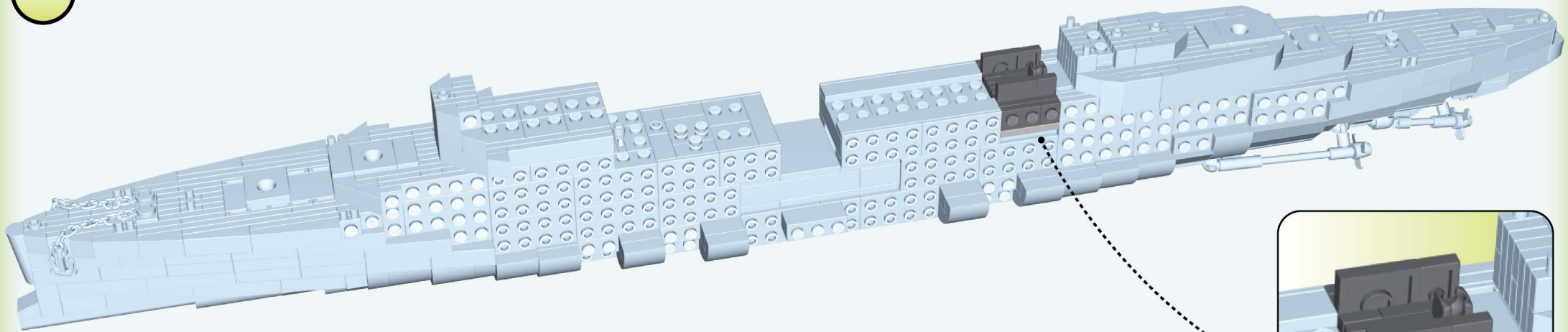


x1



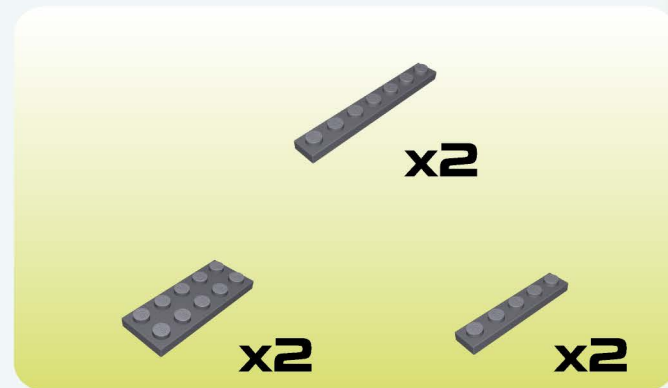
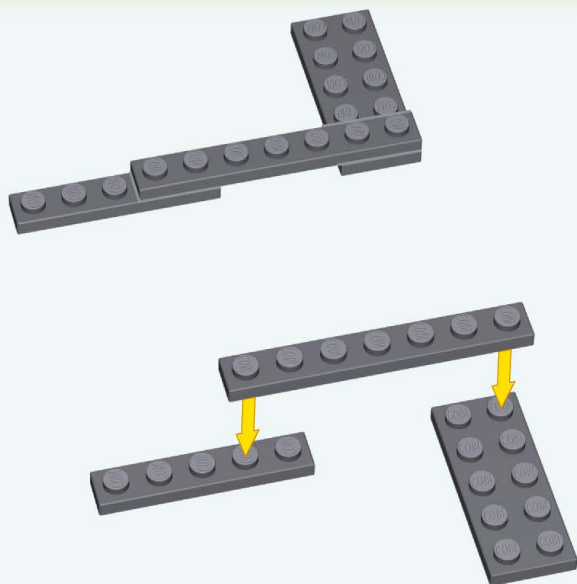
x1

220

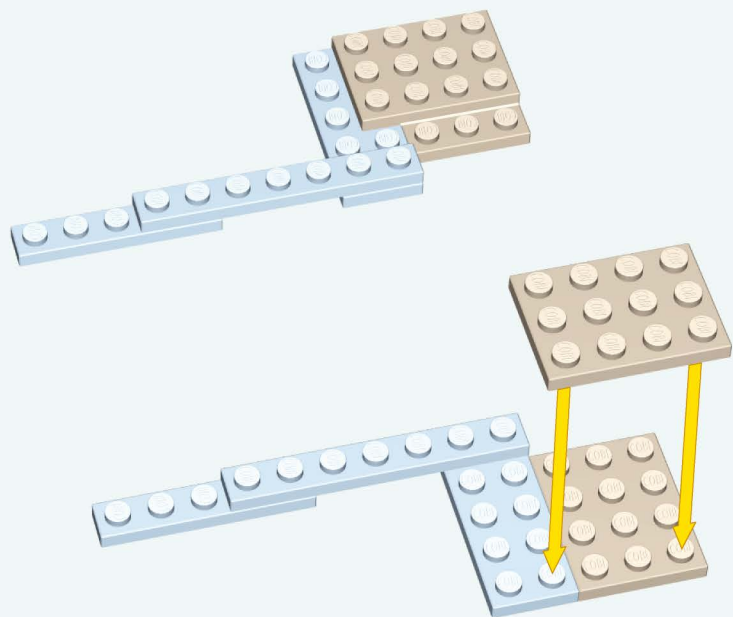




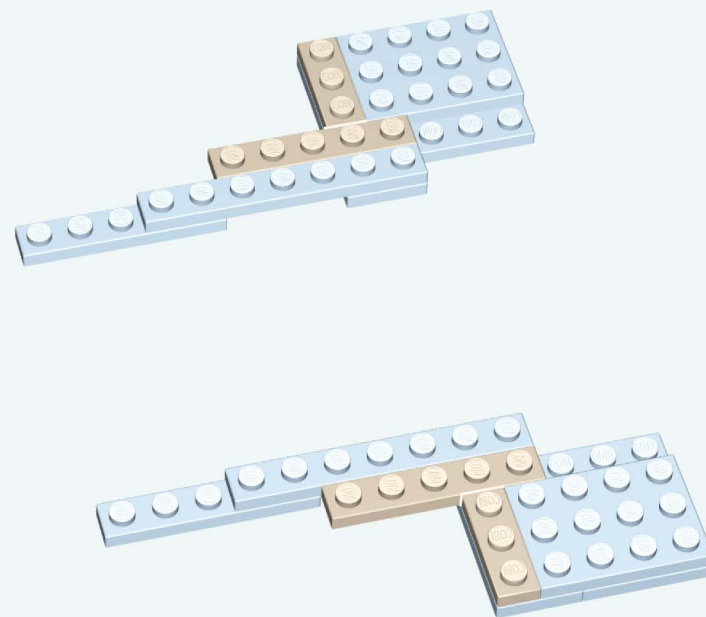
221



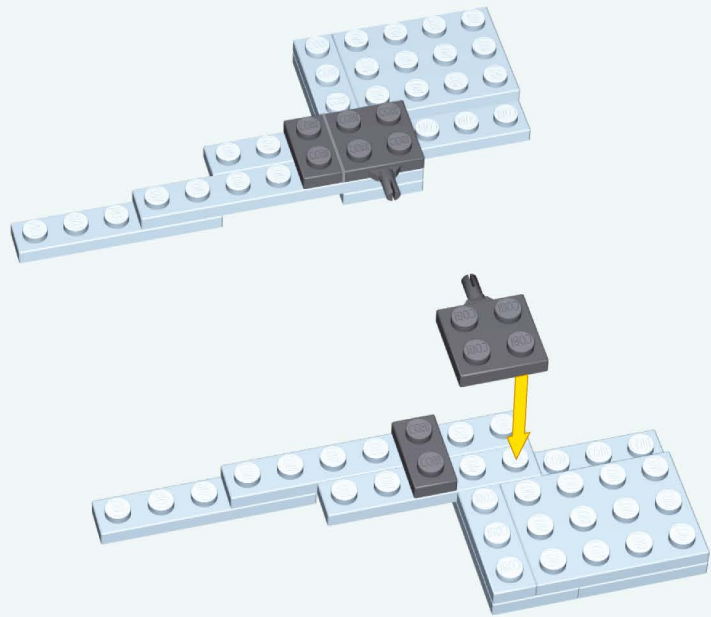
222



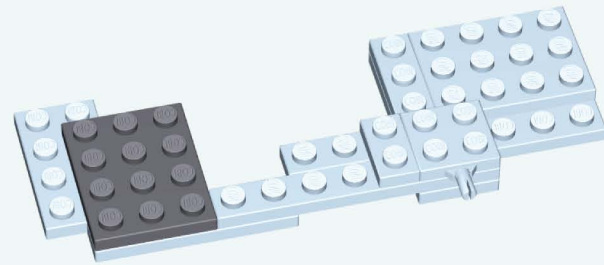
223



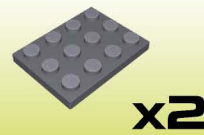
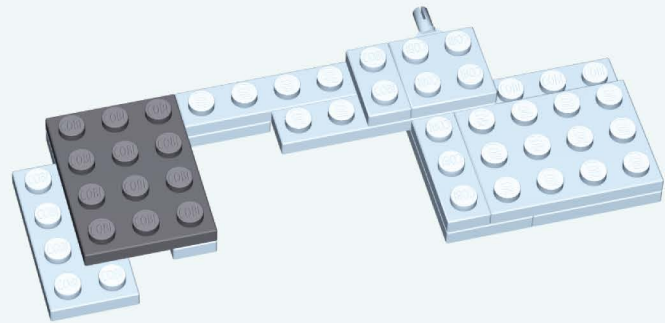
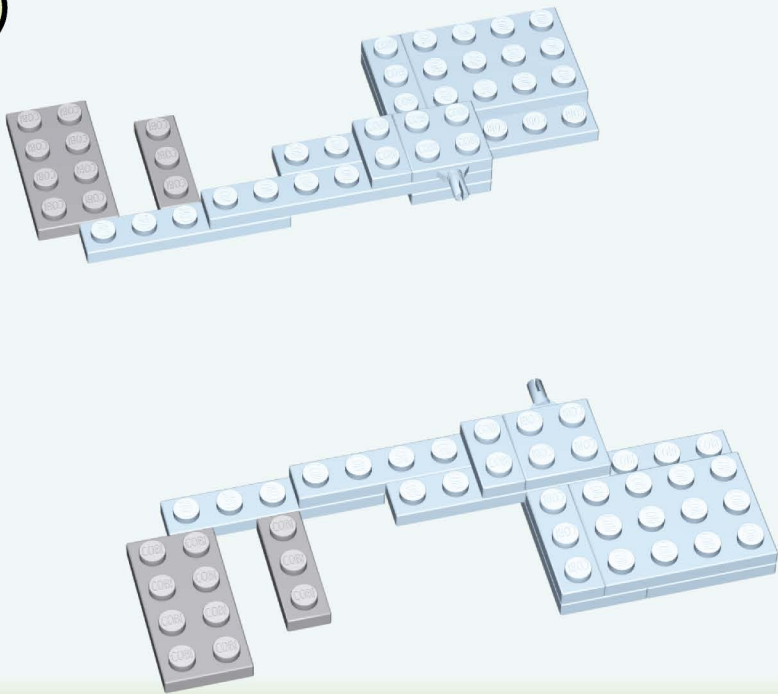
224



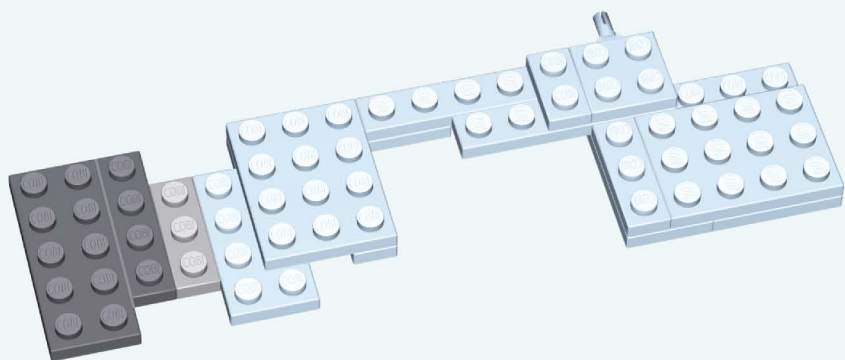
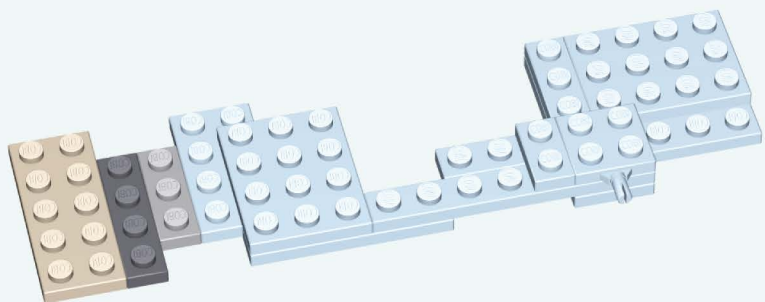
226



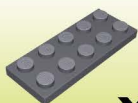
225



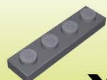
227



x1



x1

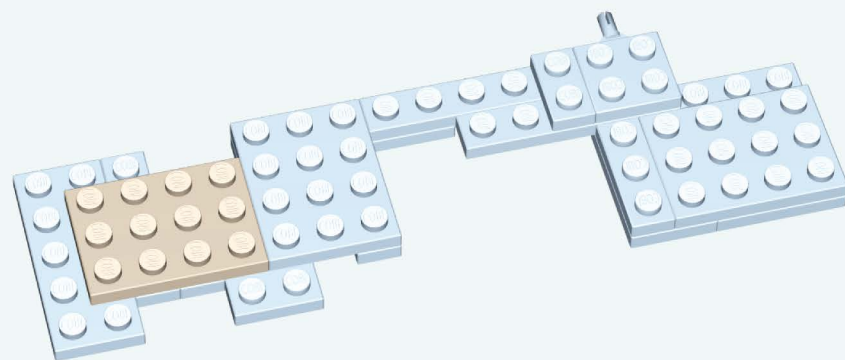


x2



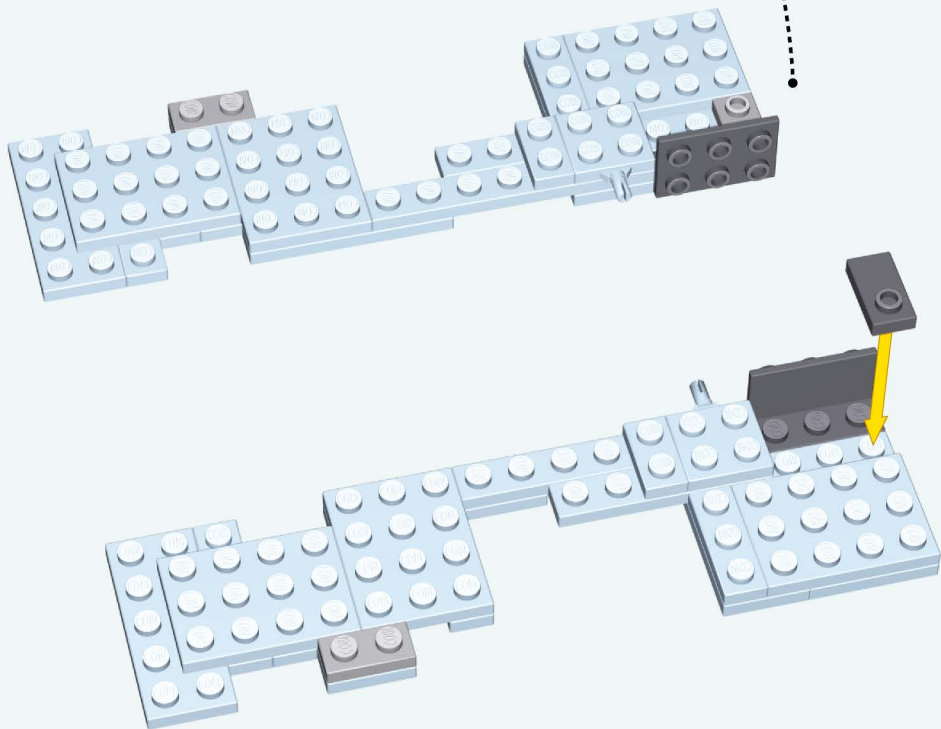
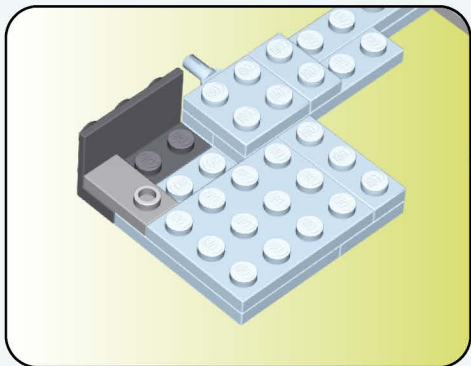
x2

228

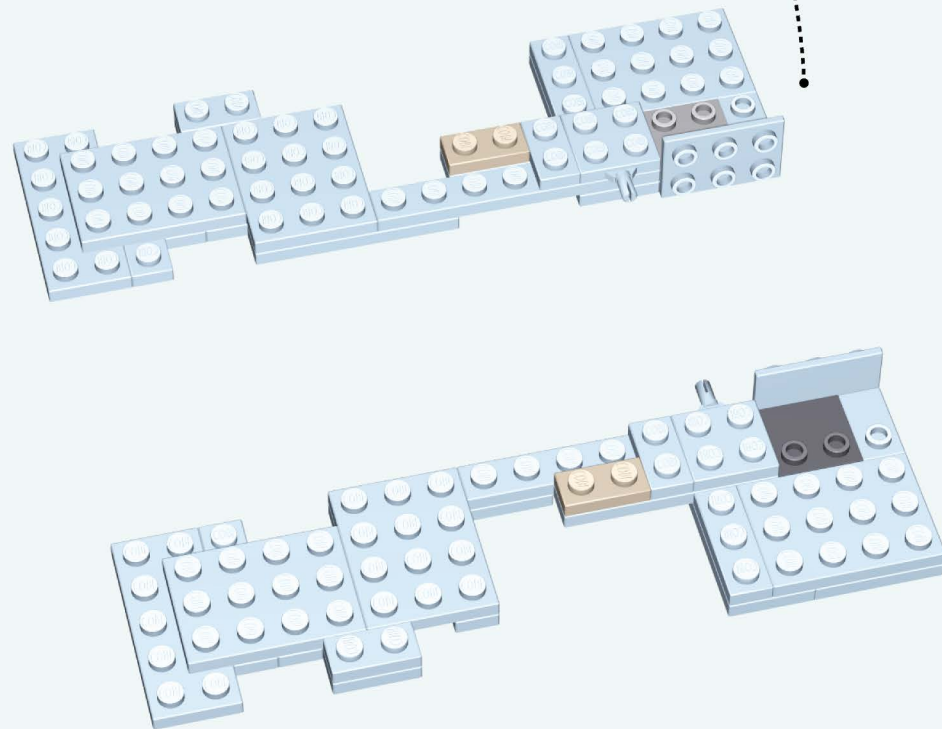
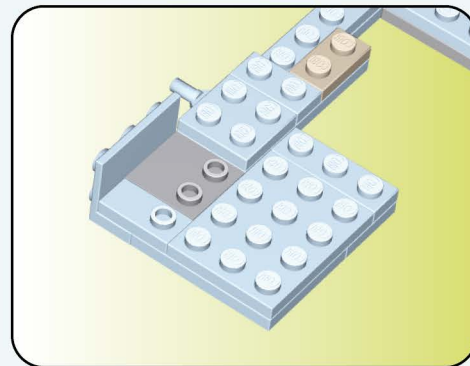


x2

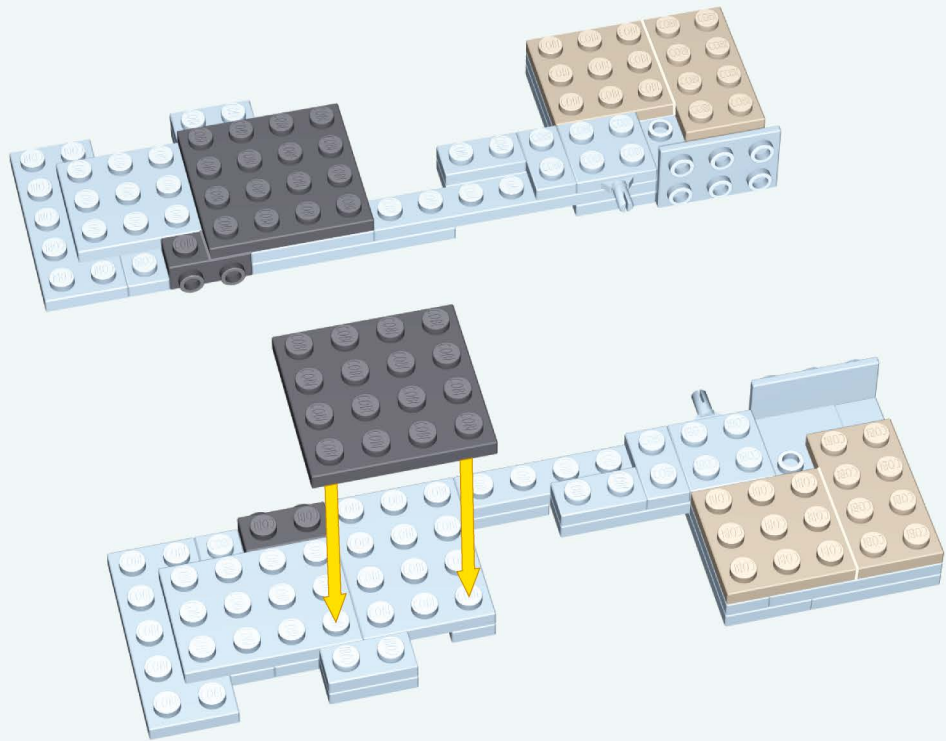
229



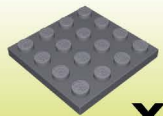
230



231



x2



x2

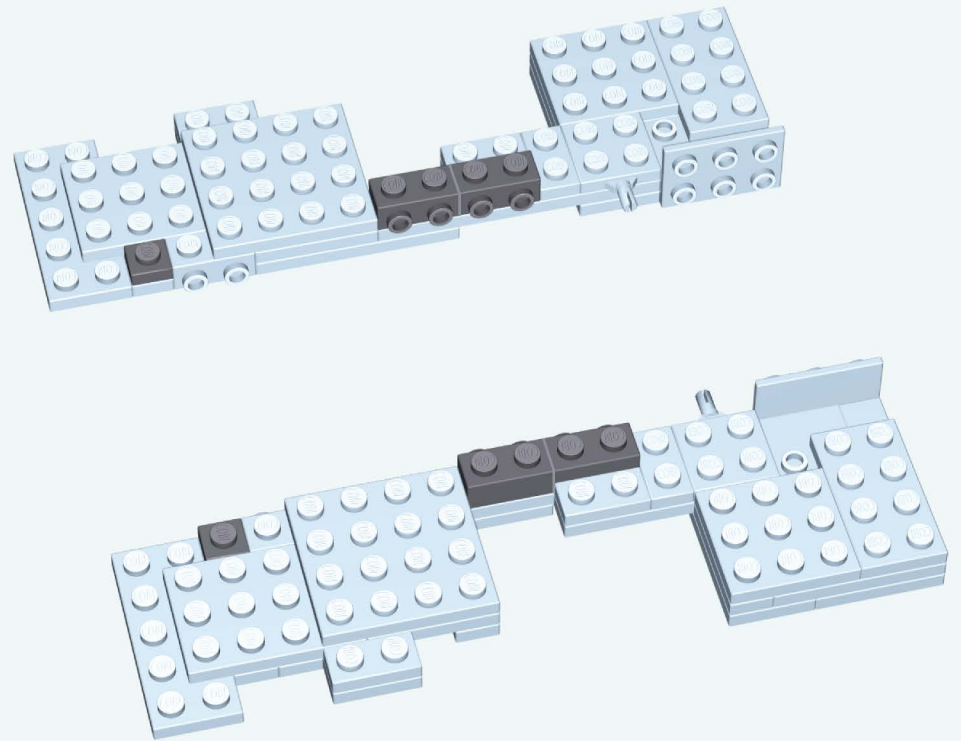


x2



x2

232

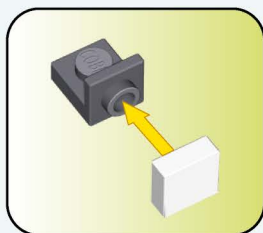
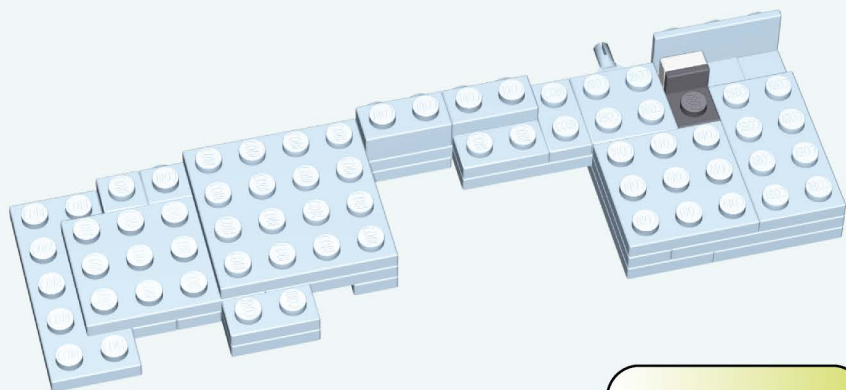
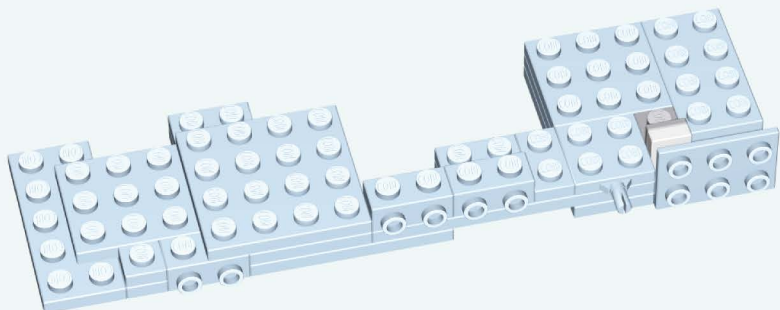
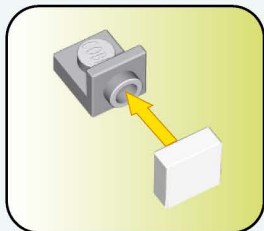


x2



x4

233



x1

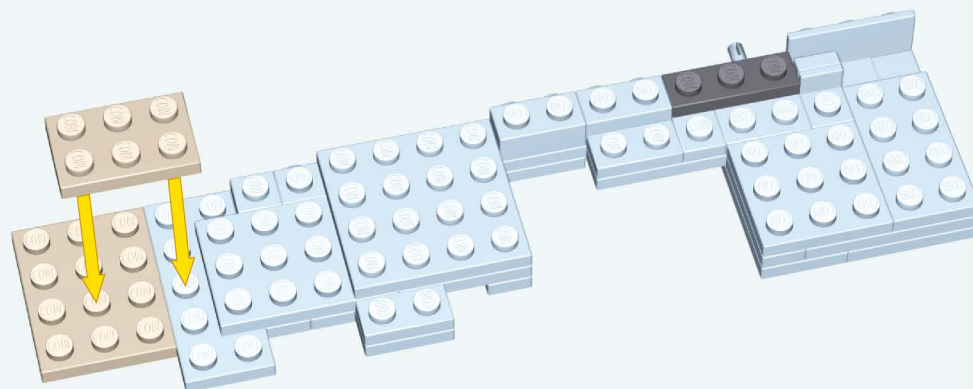
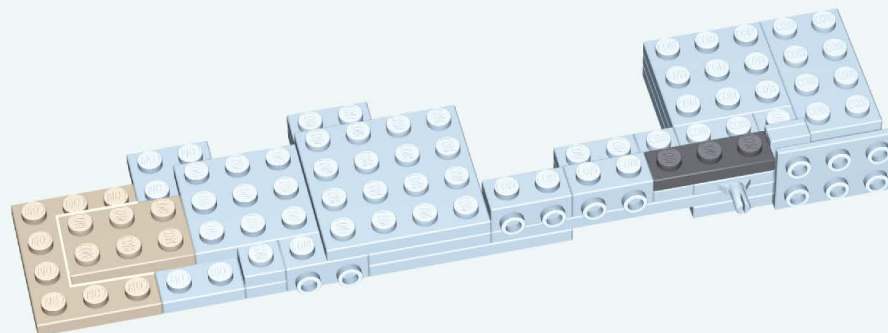


x1



x2

234



x2

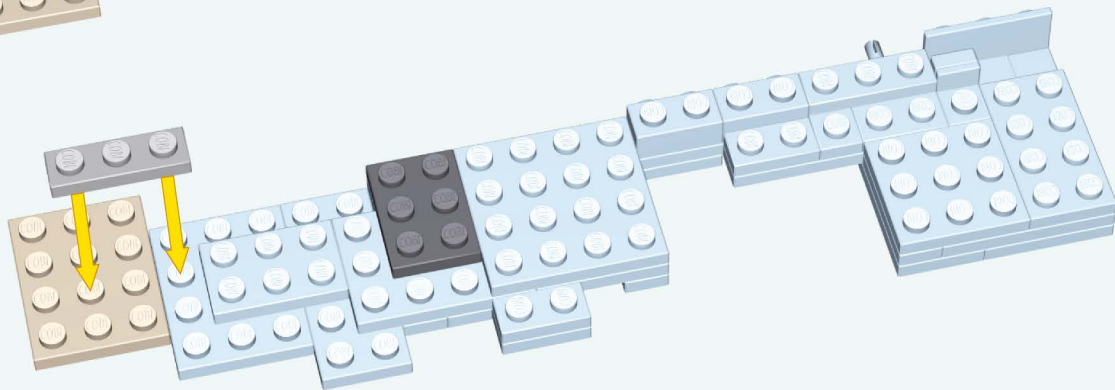
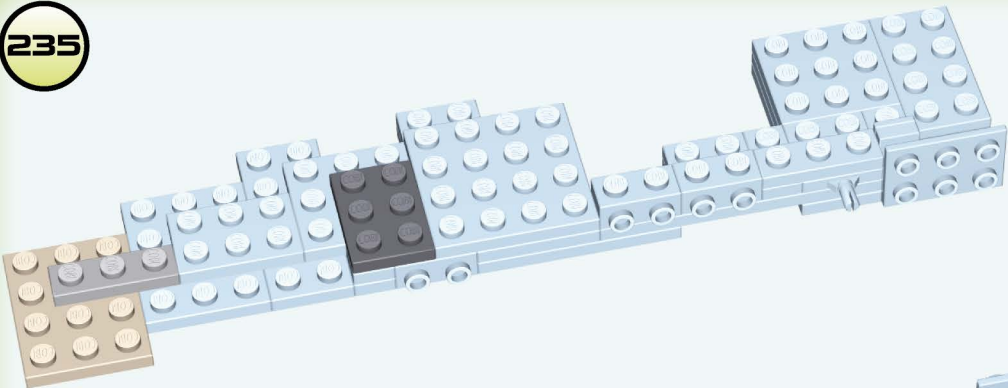


x2



x2

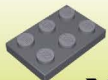
235



x2

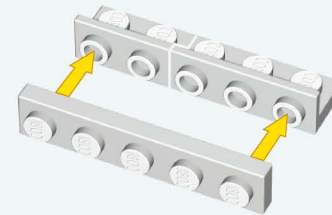
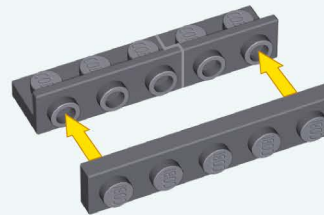


x2



x2

236



x1



x1



x1



x1

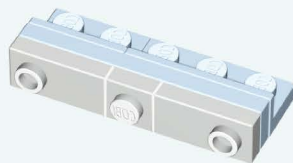
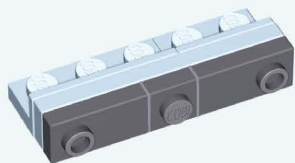


x1



x1

237



x2



x1

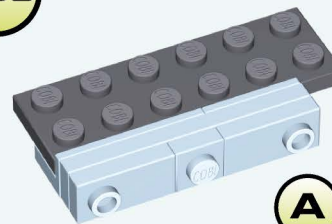


x2

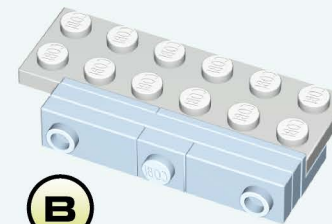


x1

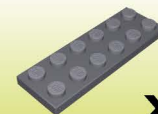
238



A



B

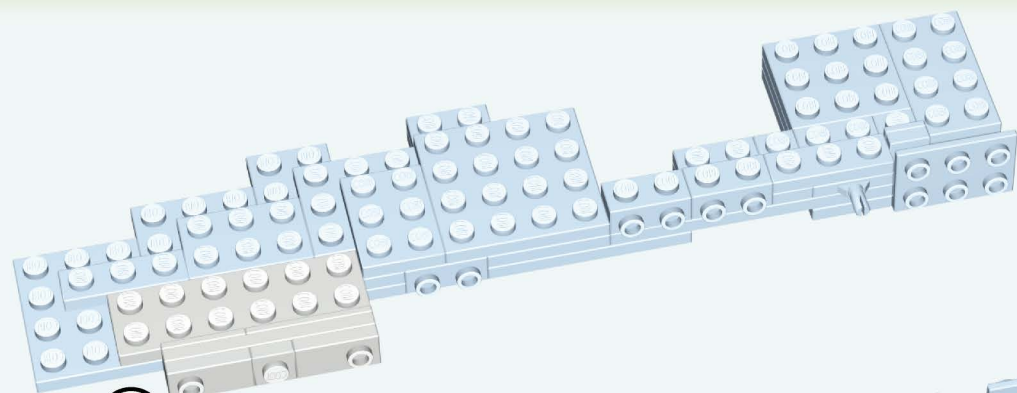


x1



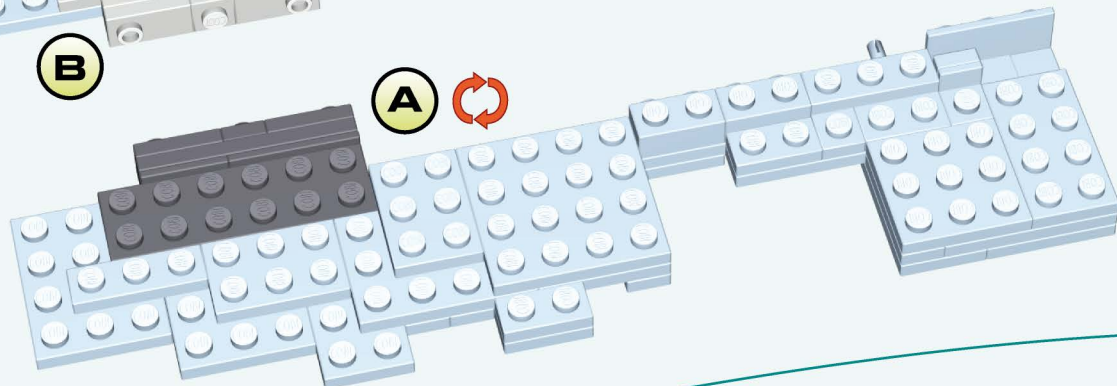
x1

239

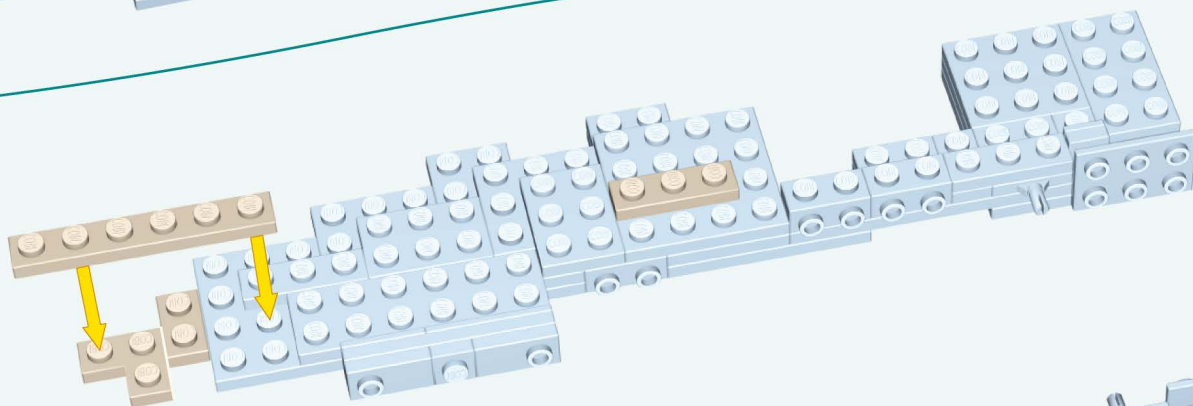


B

A



240



x2



x2



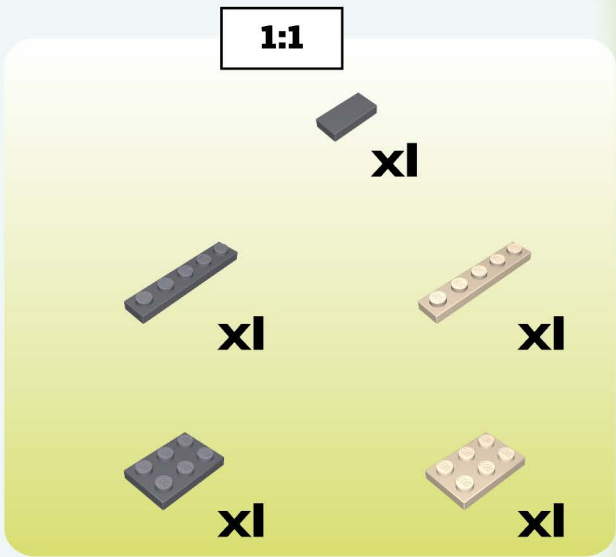
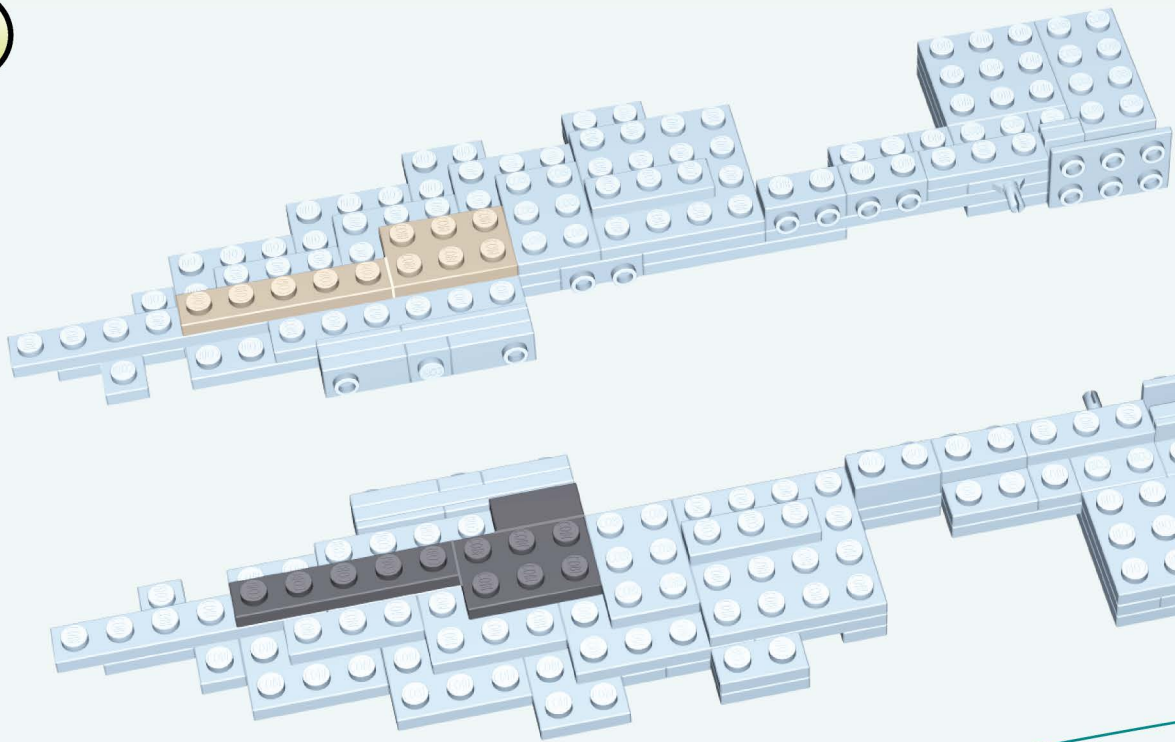
x2



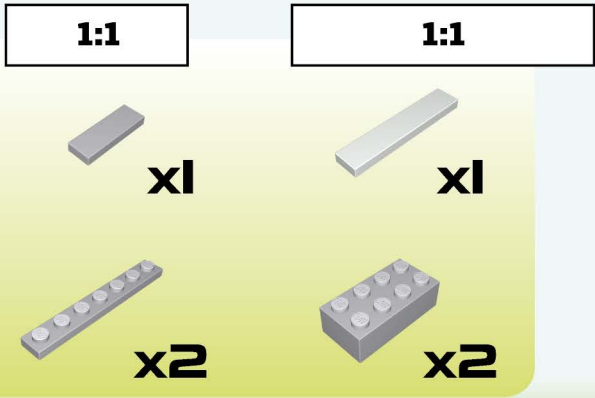
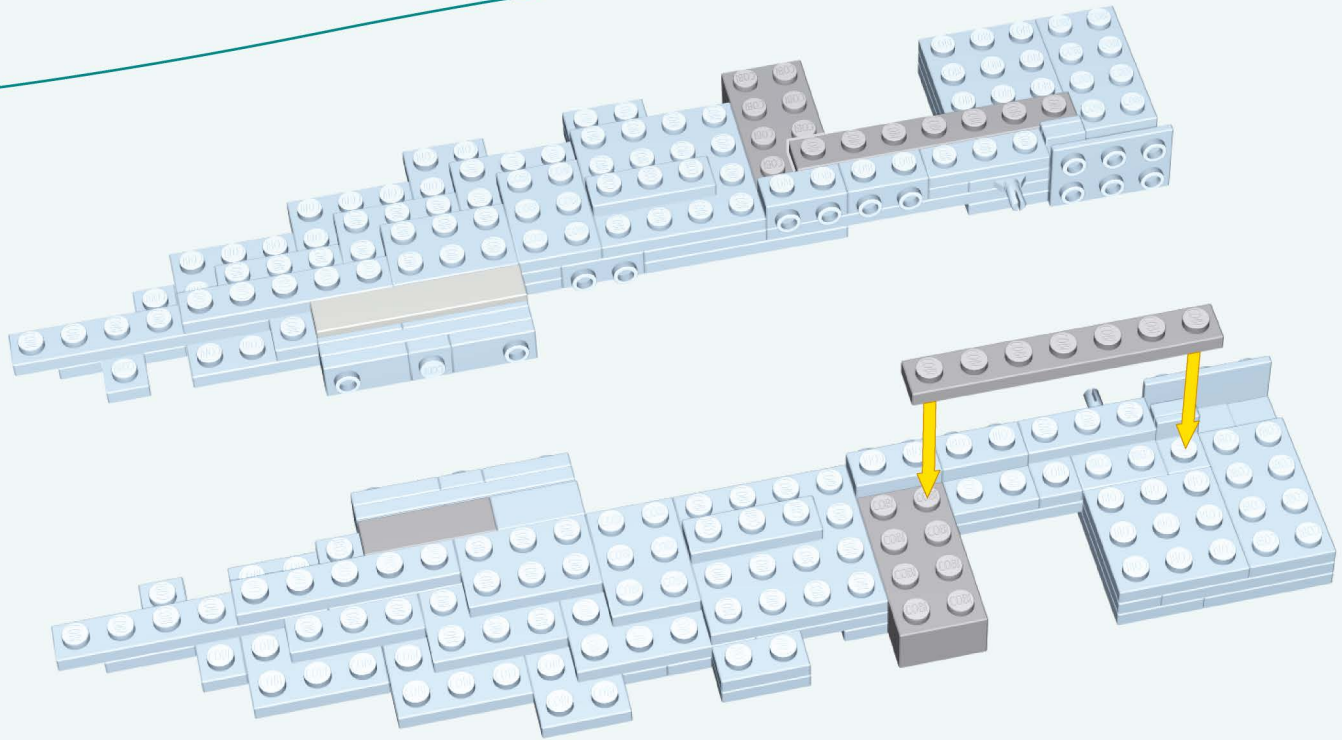
x2



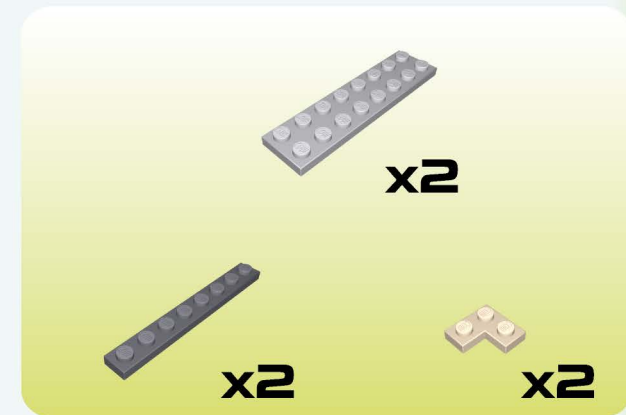
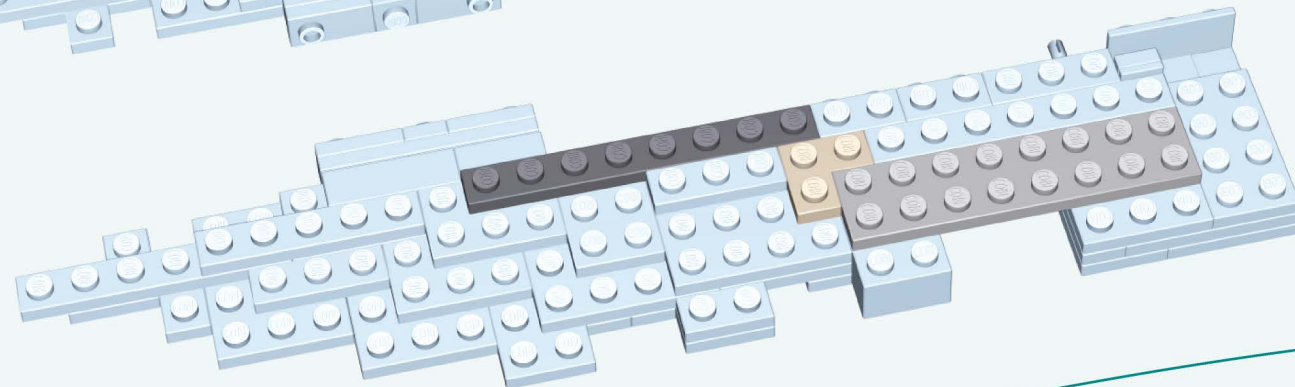
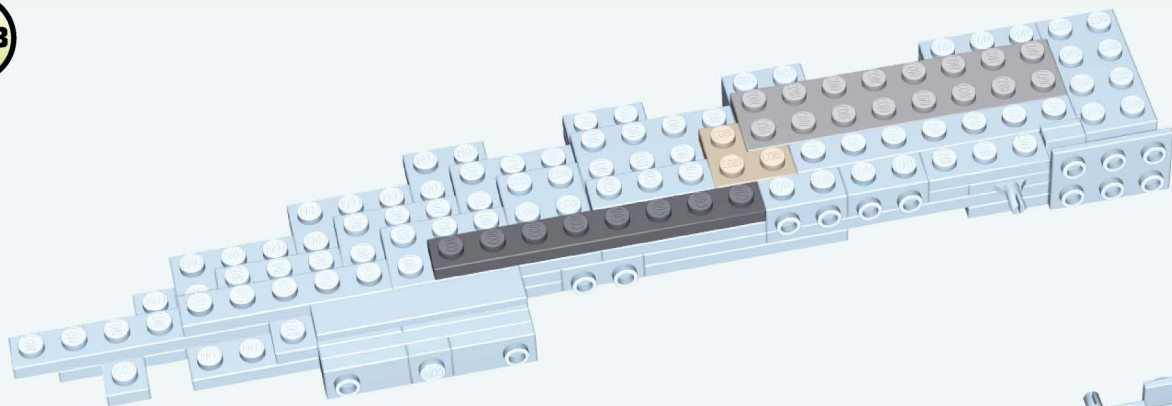
241



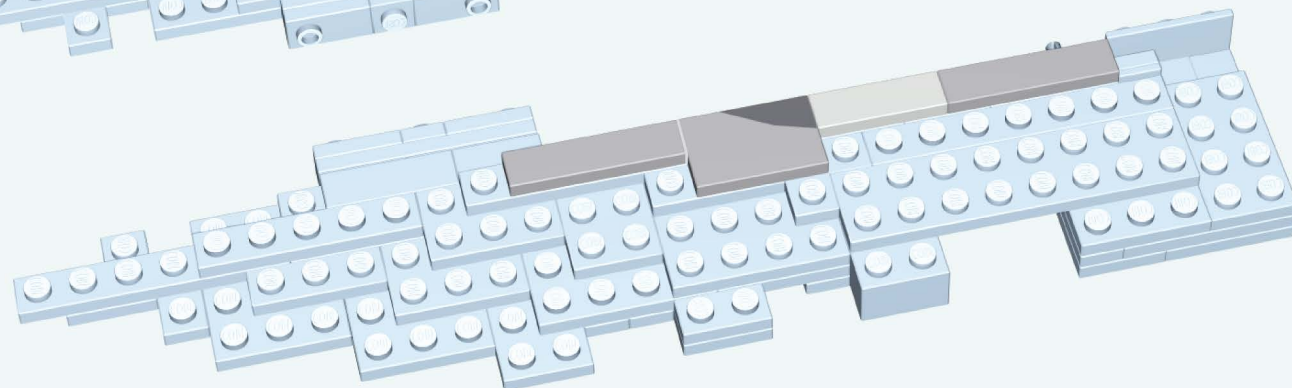
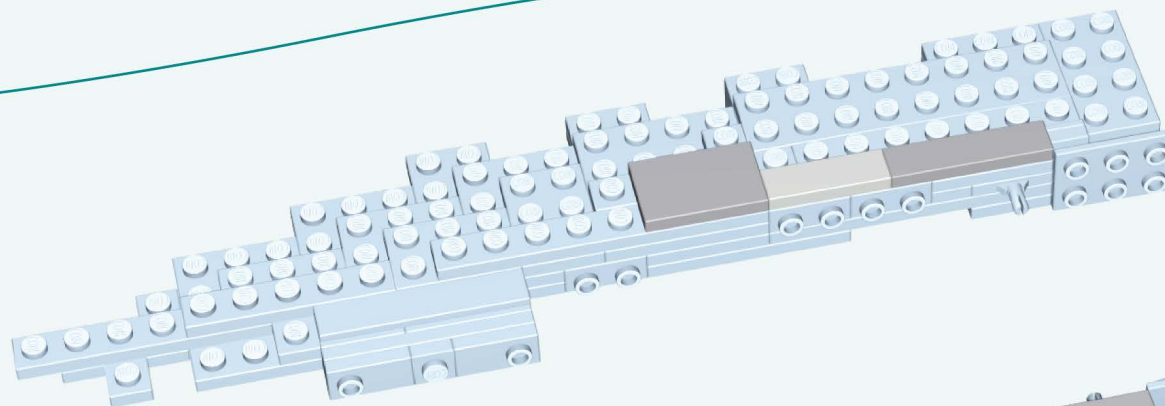
242



243



244



1:1

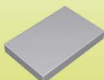
1:1



x2



x3

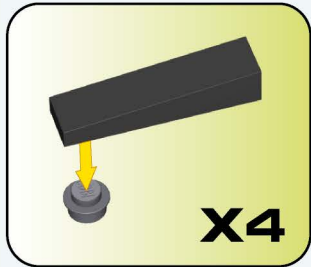
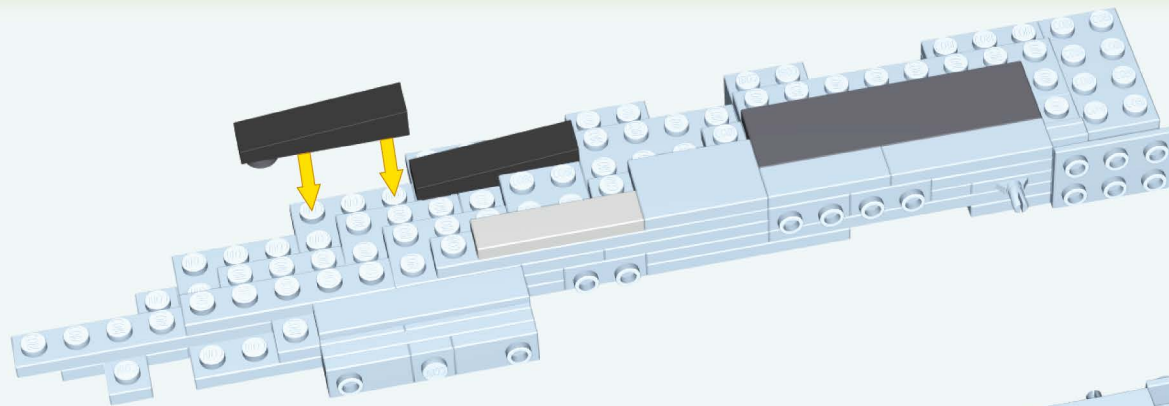


x1

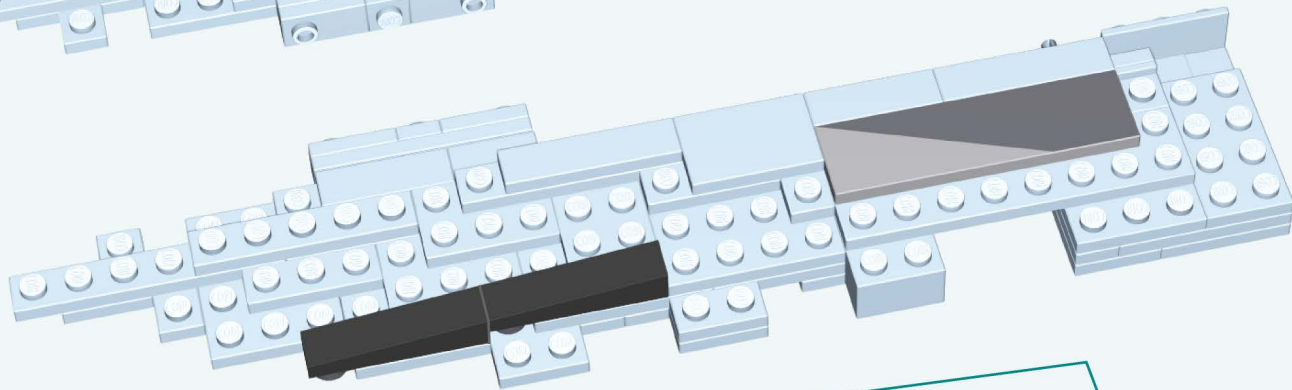


x1

245



X4



x4

x4

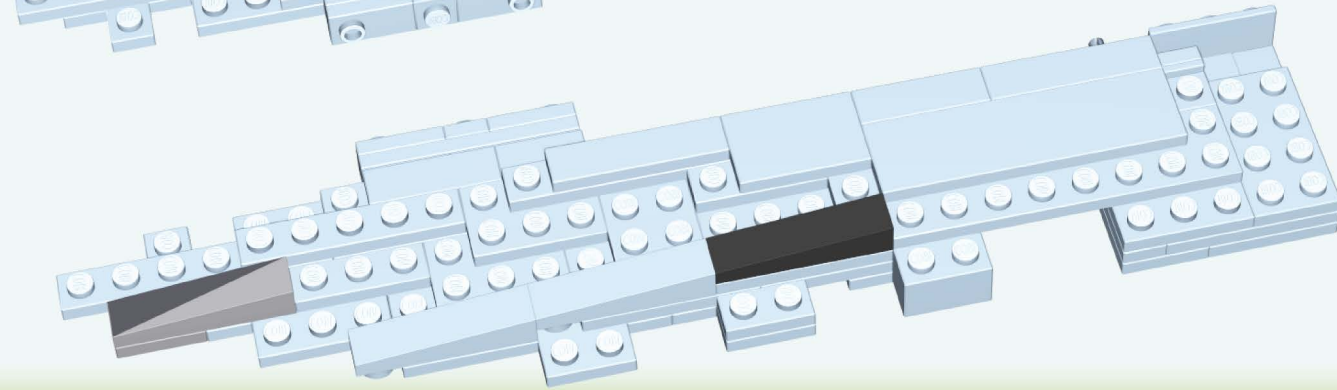
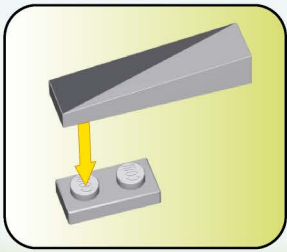
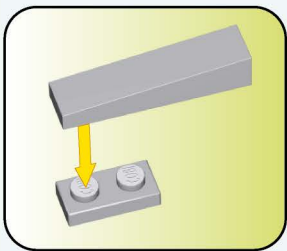
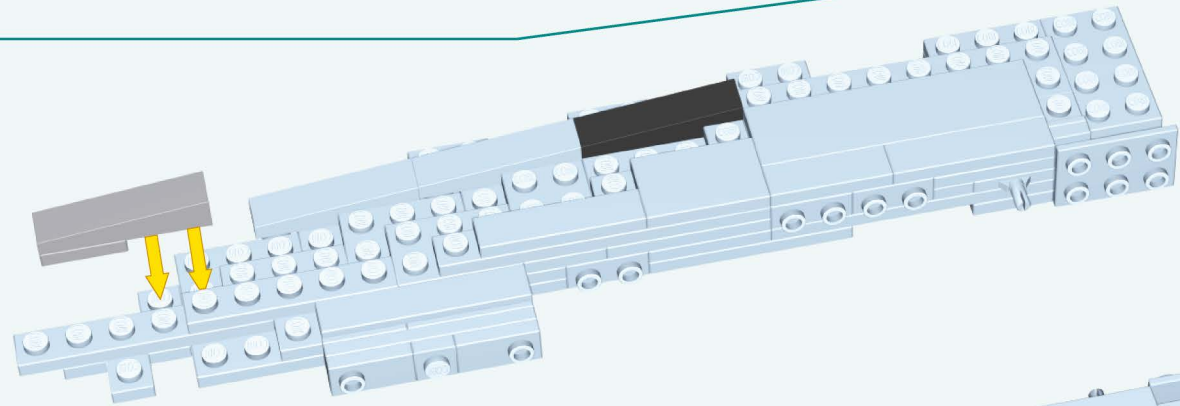
1:1

x1

x1

x1

246



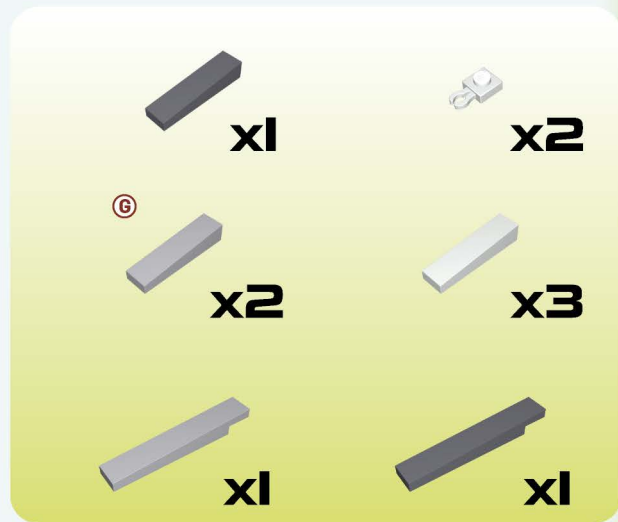
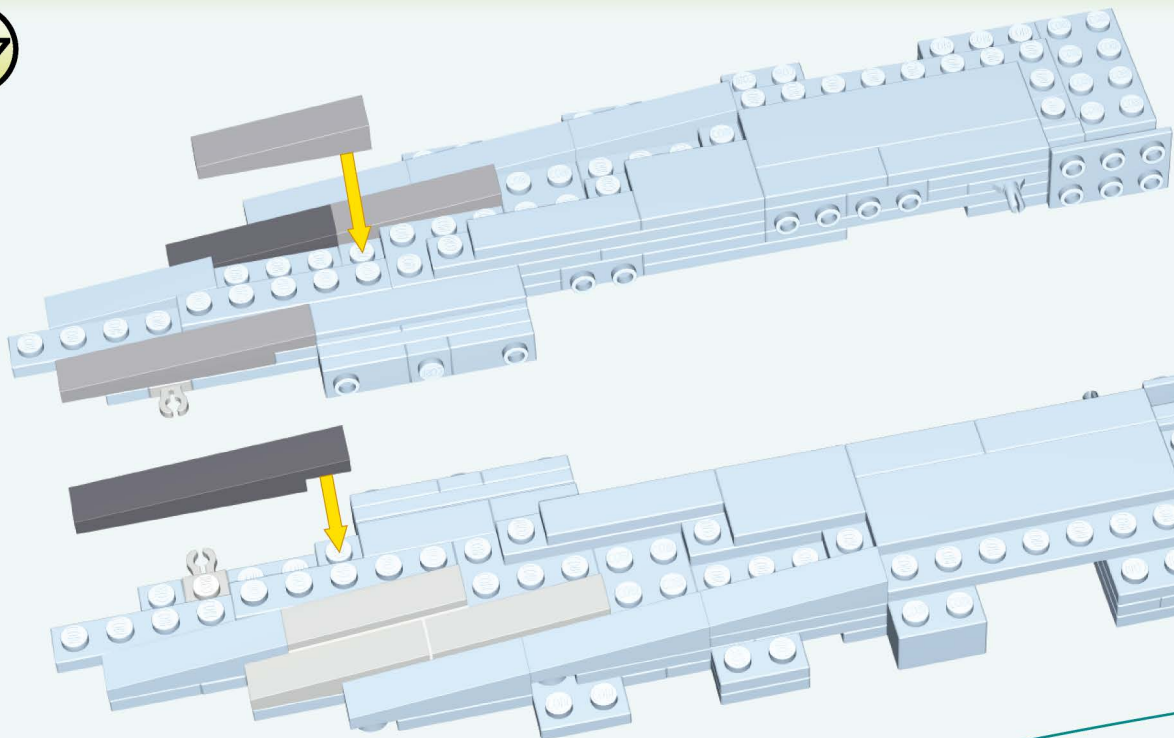
x2

x1

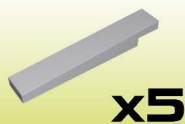
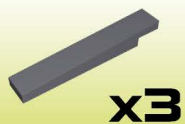
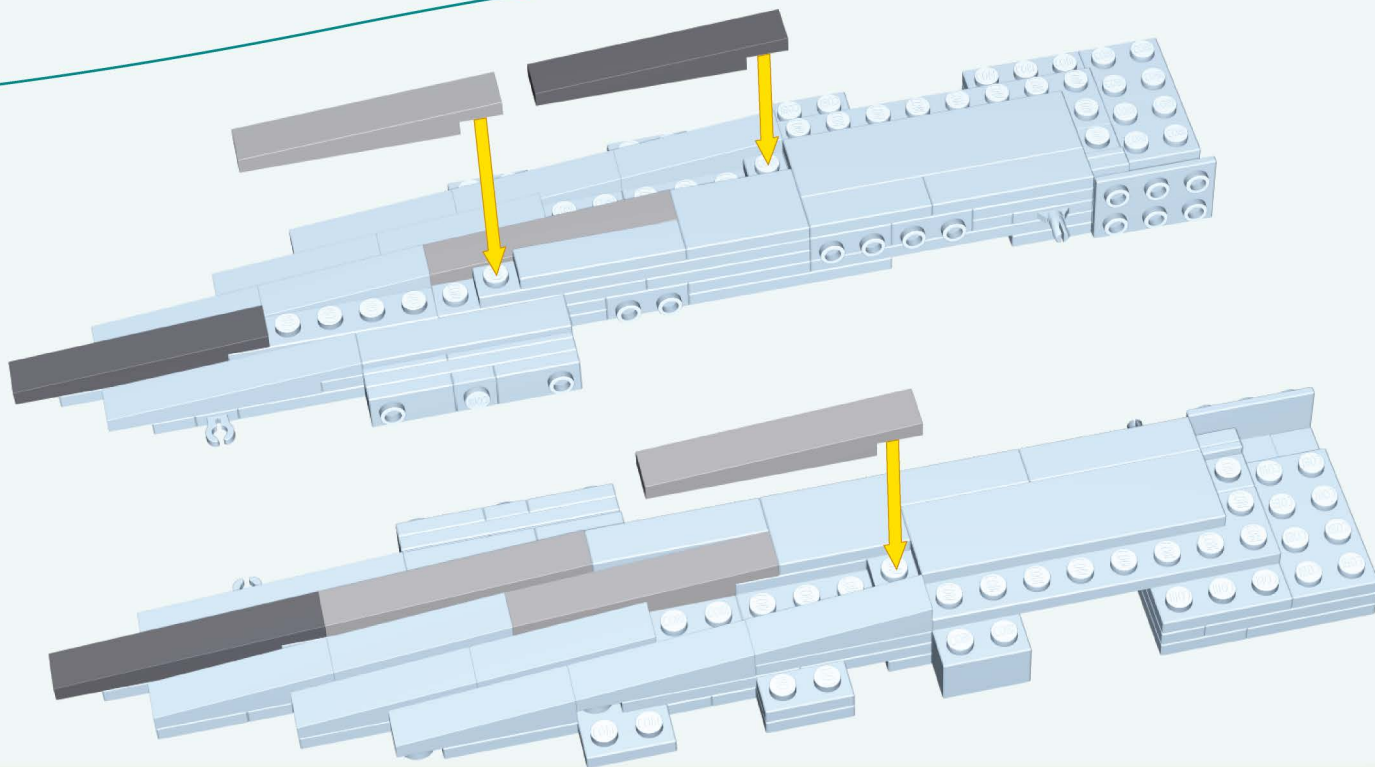
x1

x2

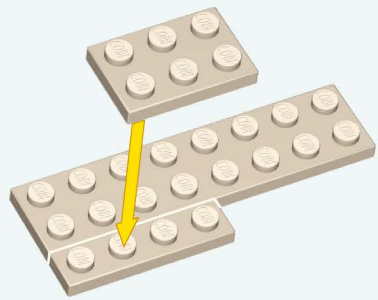
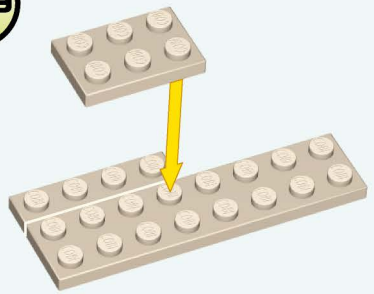
247






248

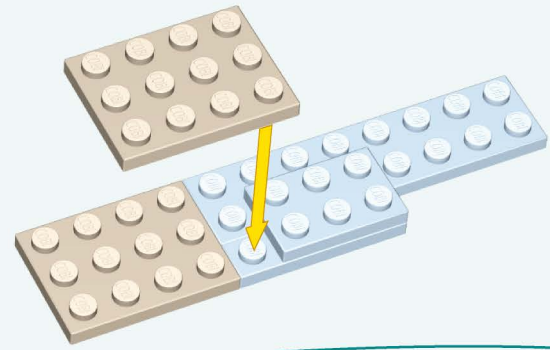
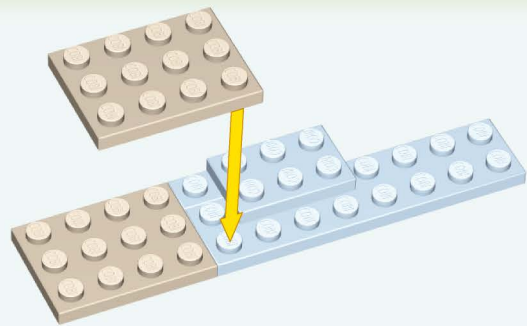


249



-  x2
-  x2
-  x2




250



-  x4


251



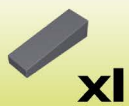
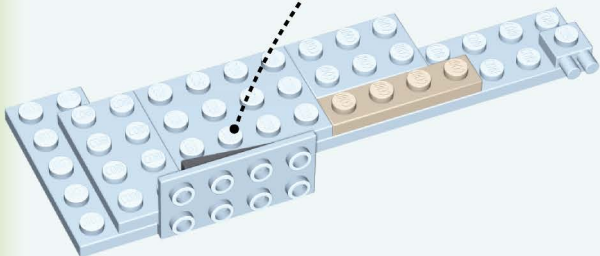
-  x2
-  x1
-  x1

252

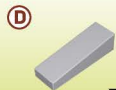


-  x2
-  x2

253



x1



x1



x2

254



x2



x1

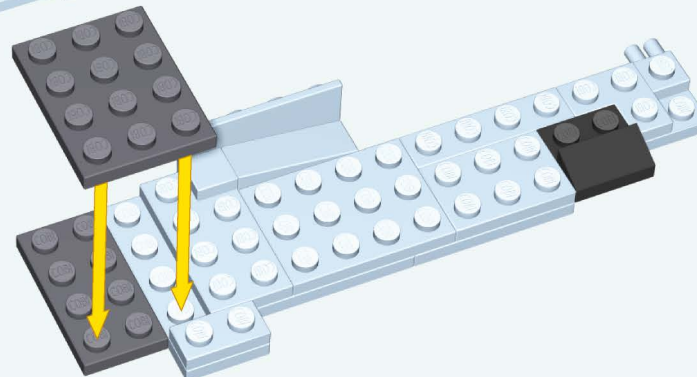
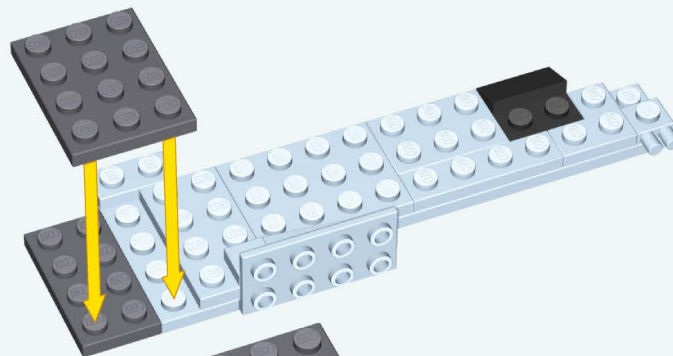


x1

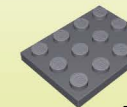


x2

255



x2

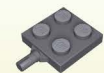
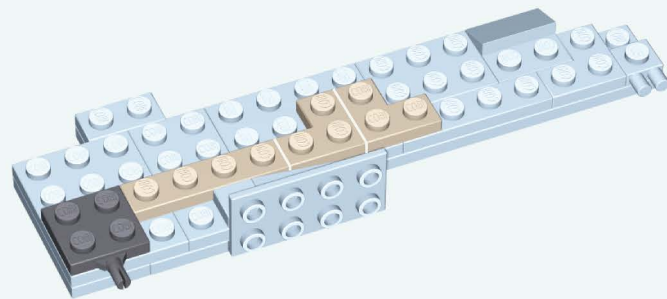


x2



x2

256



x2



x2



x4

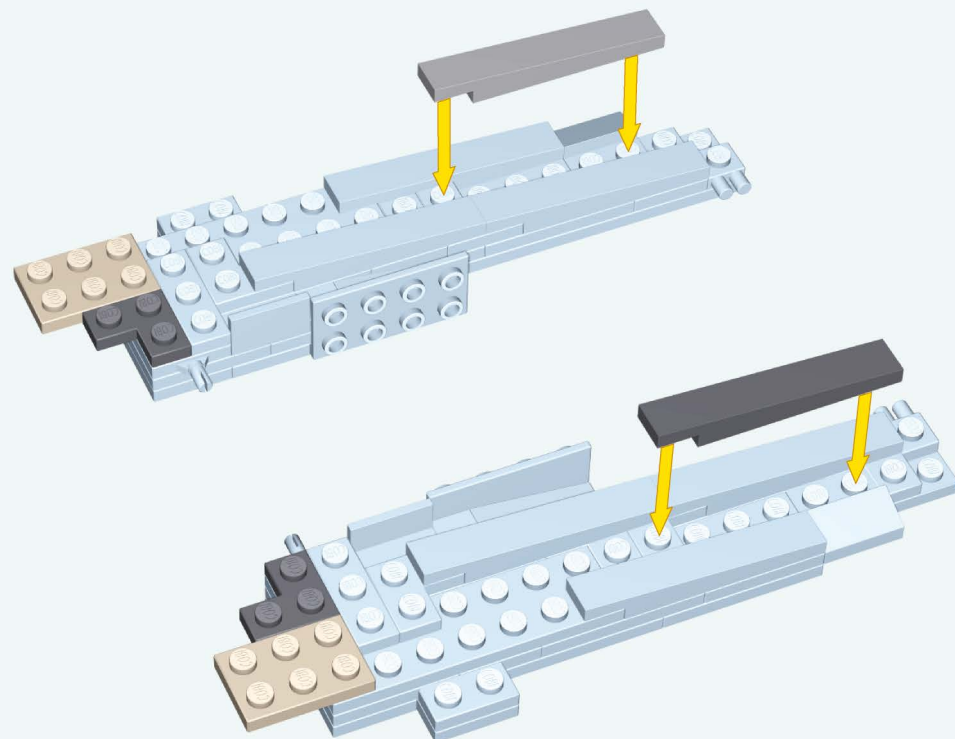
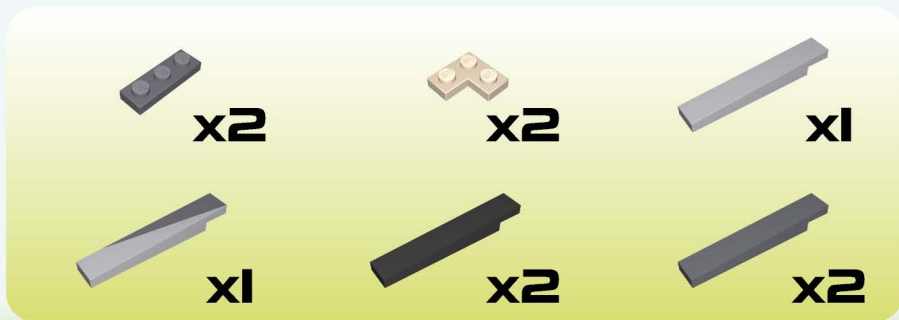
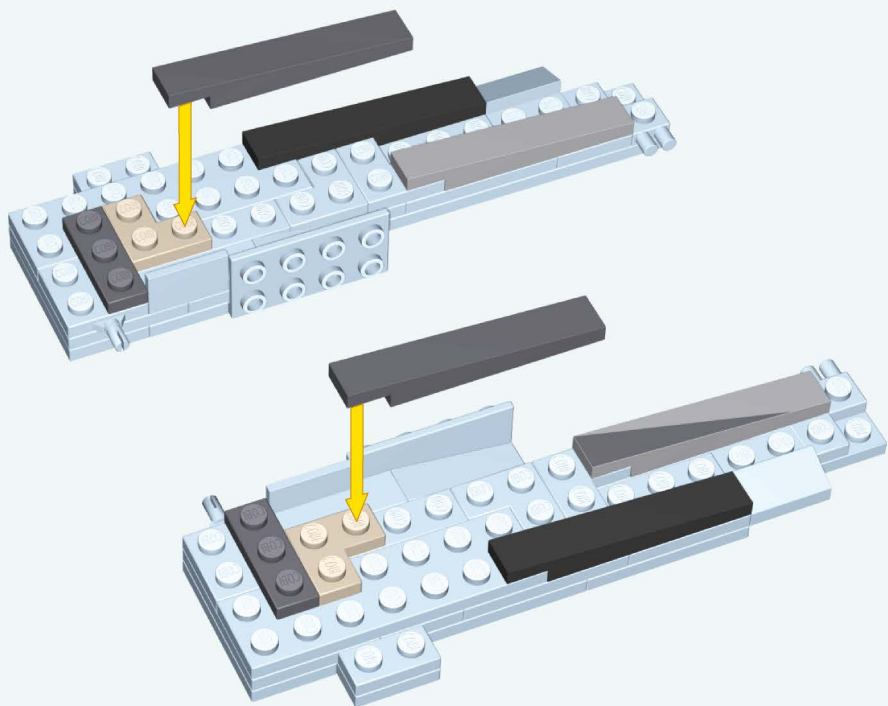
257



x2

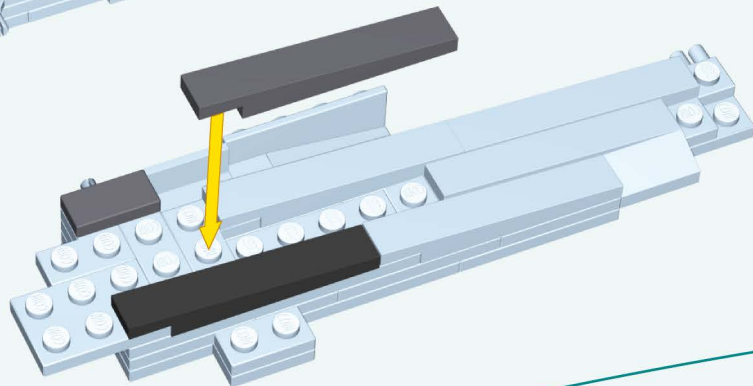
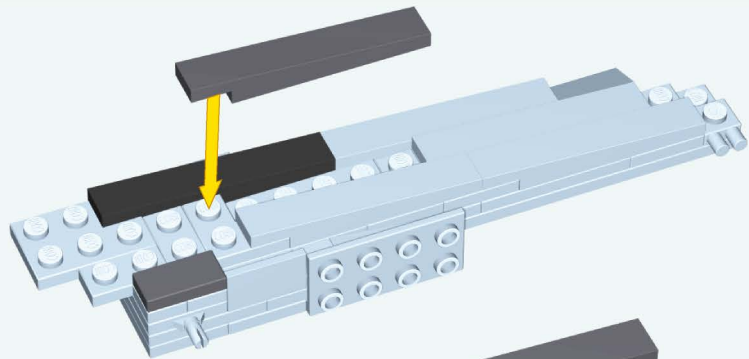


x2





260



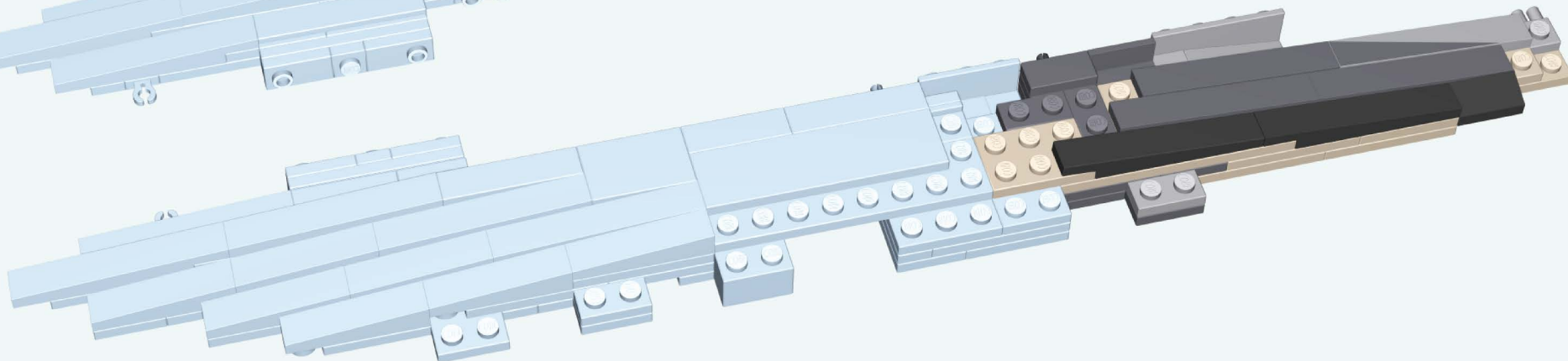
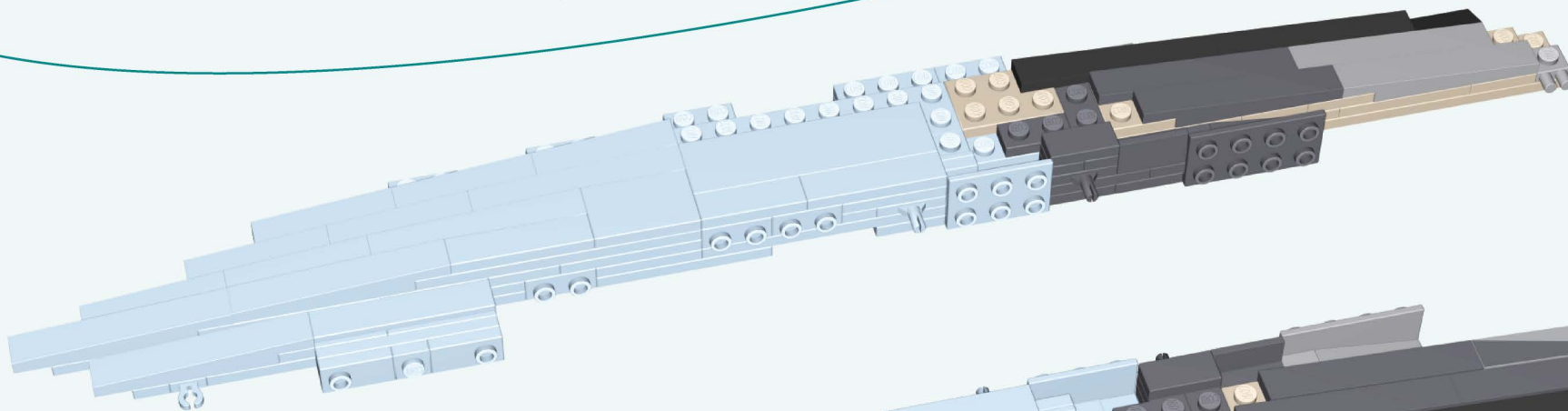
1:1

x2

x2

x2

261



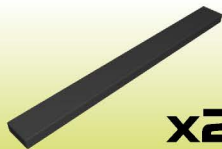
262



x1

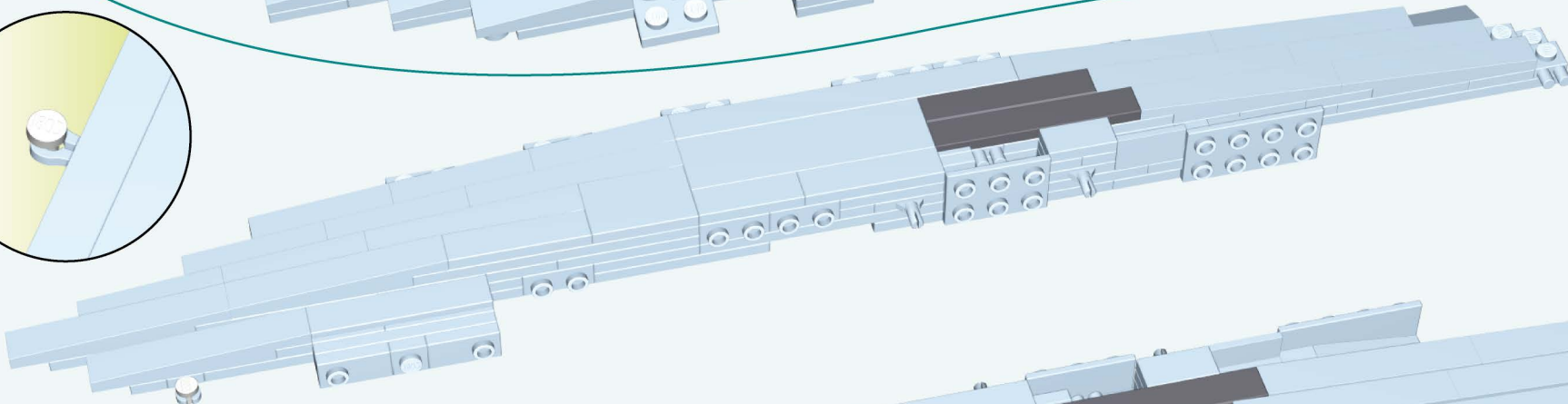
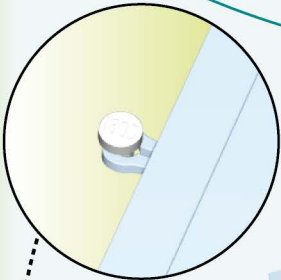
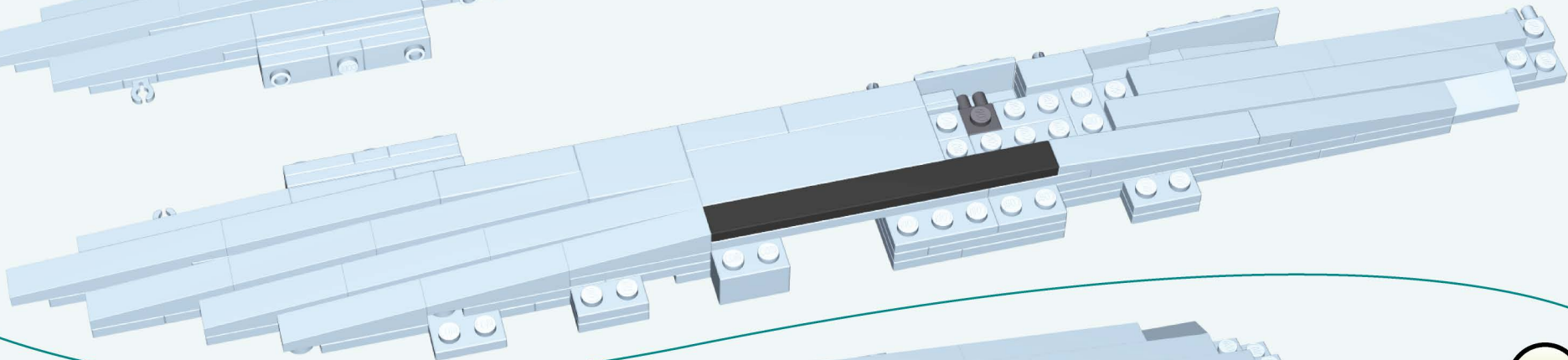
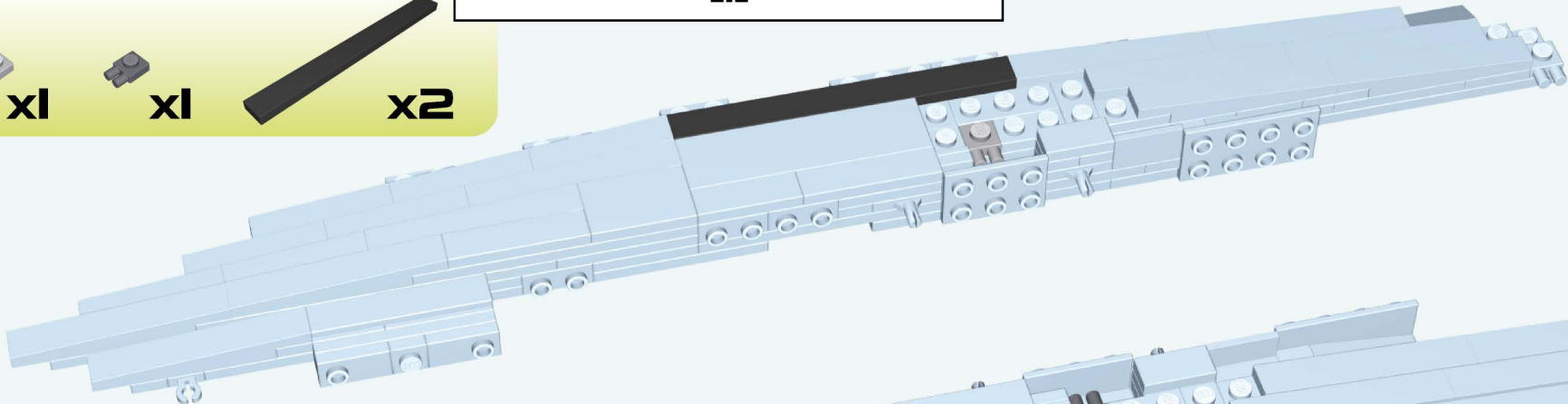


x1



x2

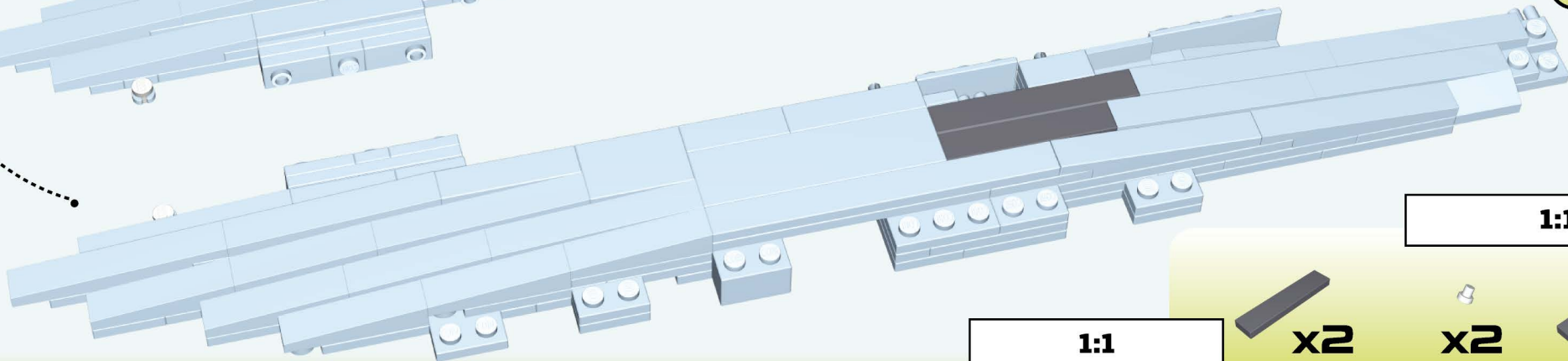
1:1



A

263

B



1:1

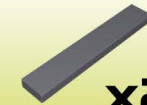
1:1



x2

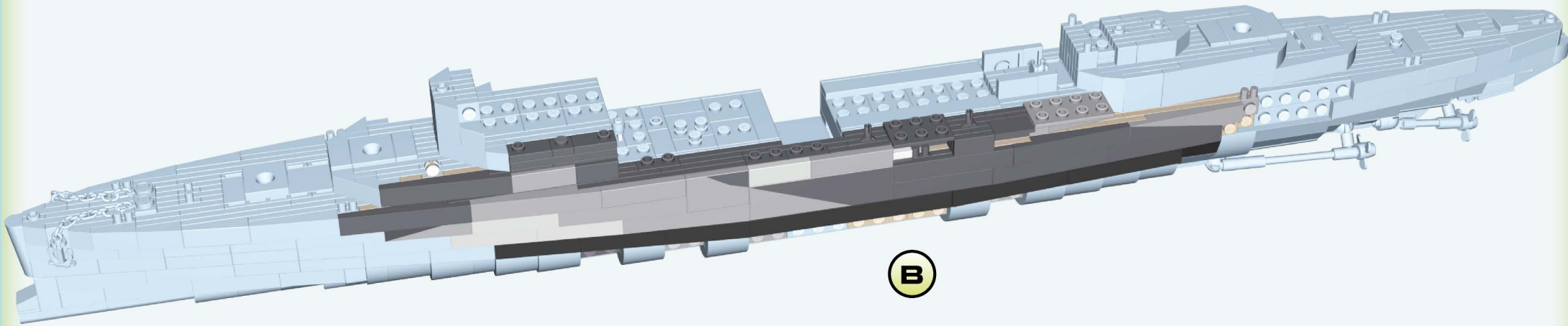


x2



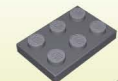
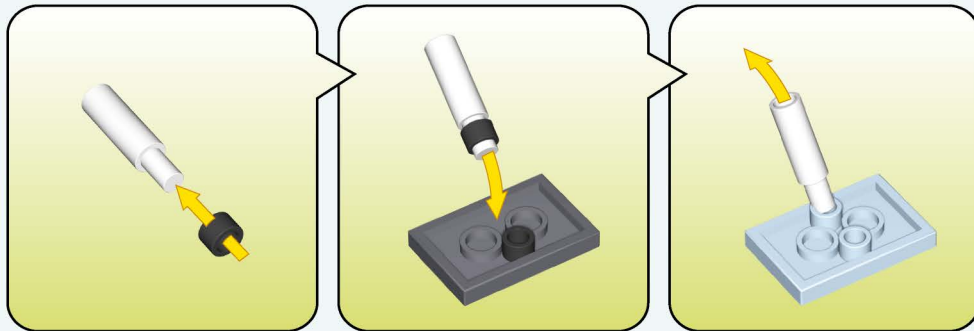
x2

264



B

265



x1



x2

266

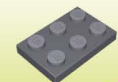


x2



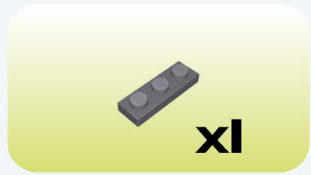
x1

267

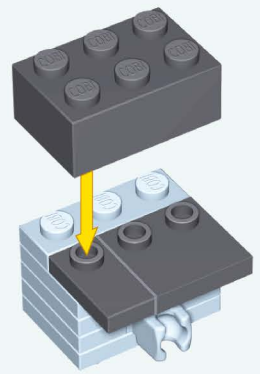


x2

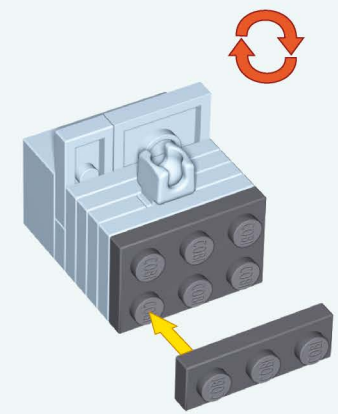
268



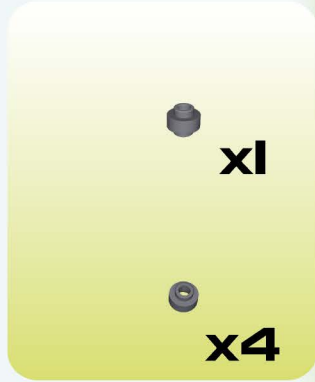
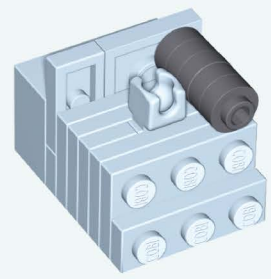
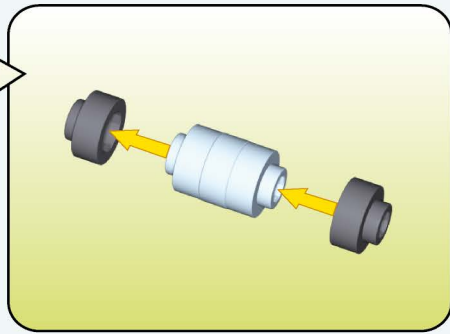
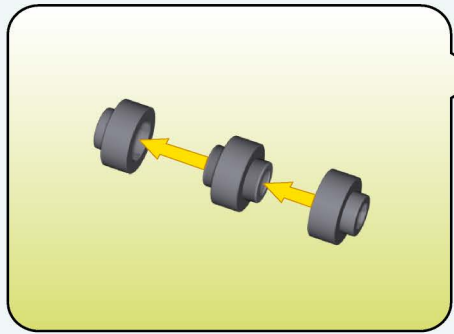
269



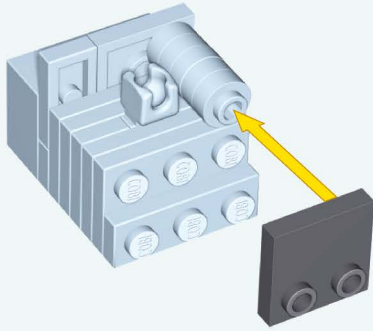
270



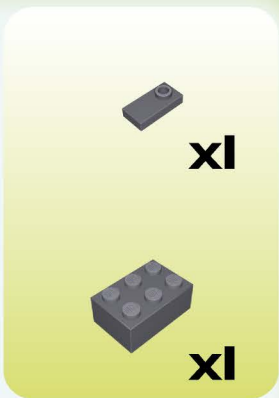
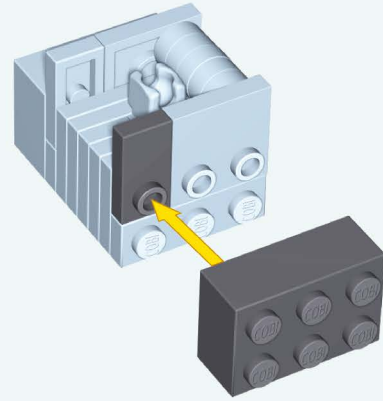
271



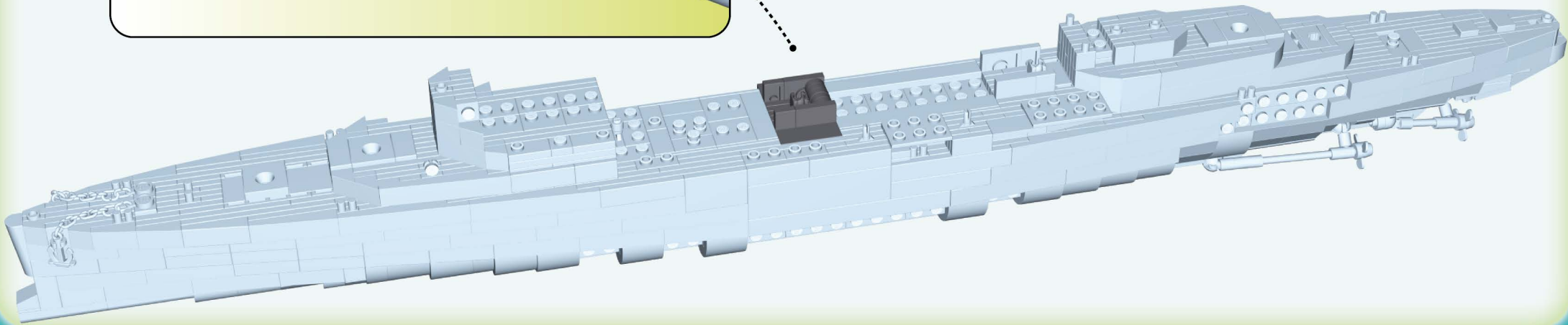
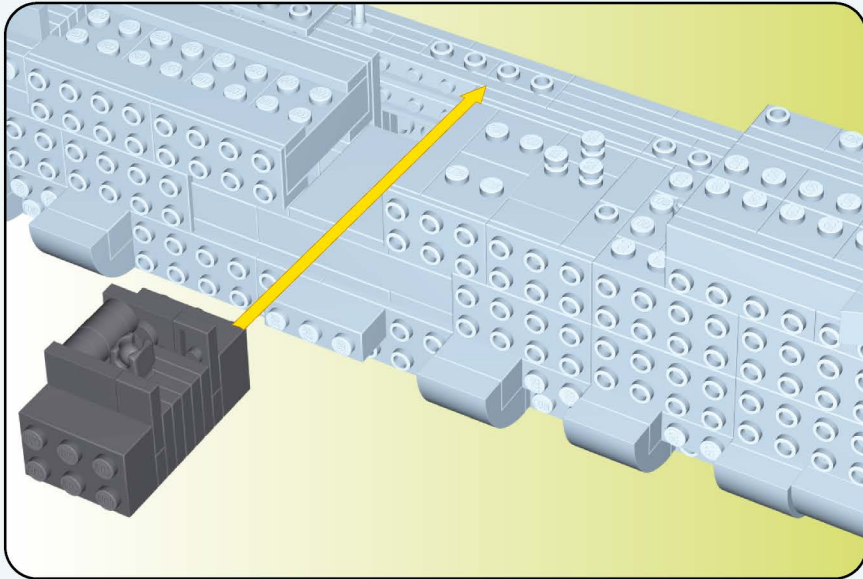
272

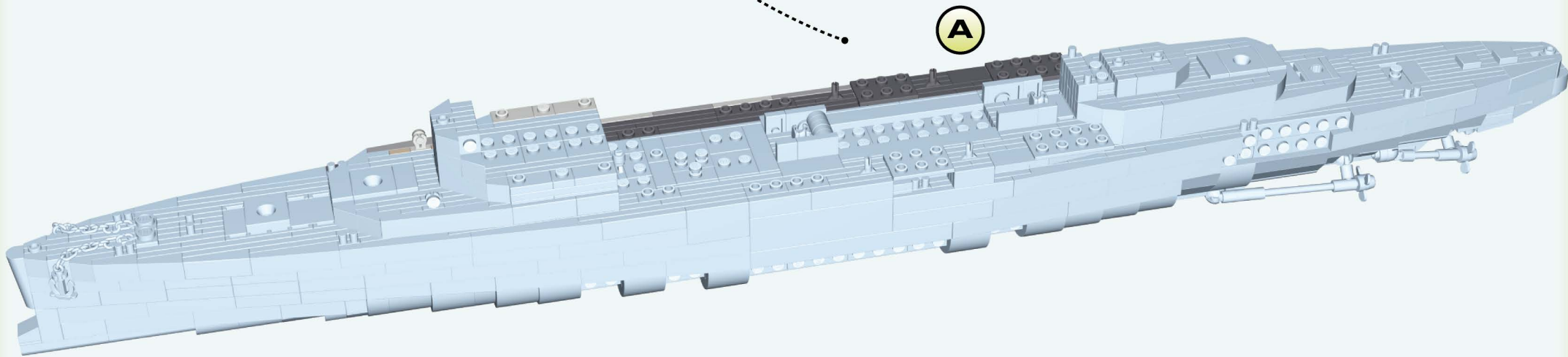
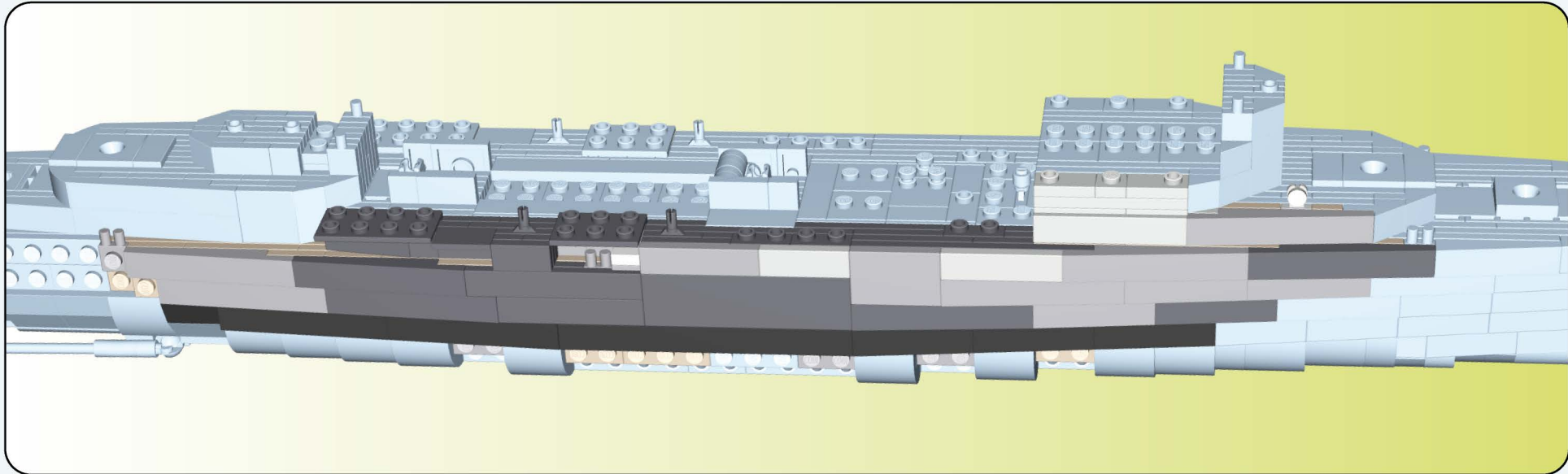


273



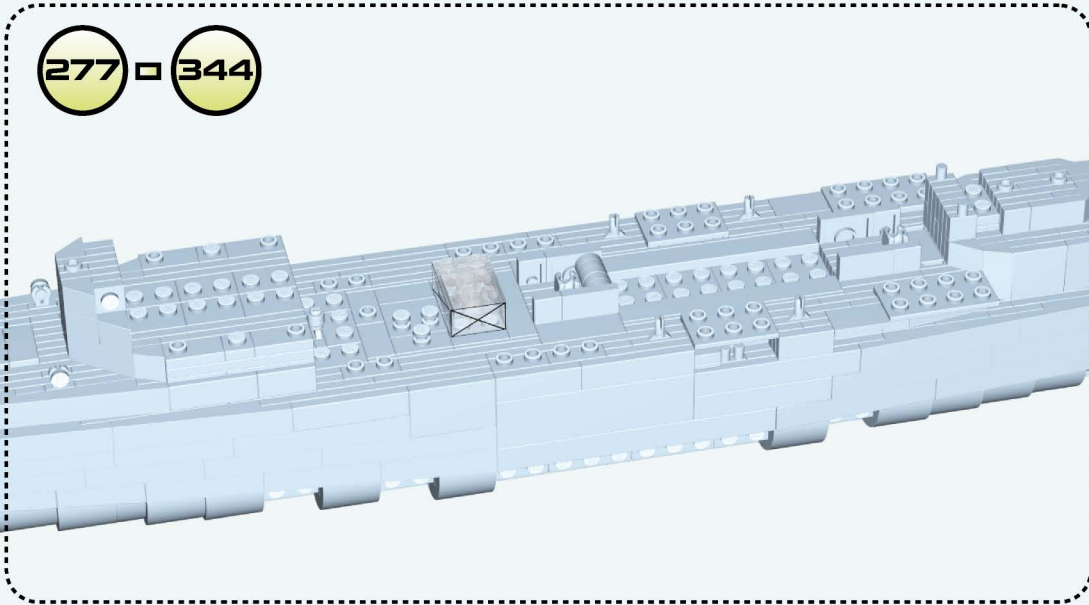
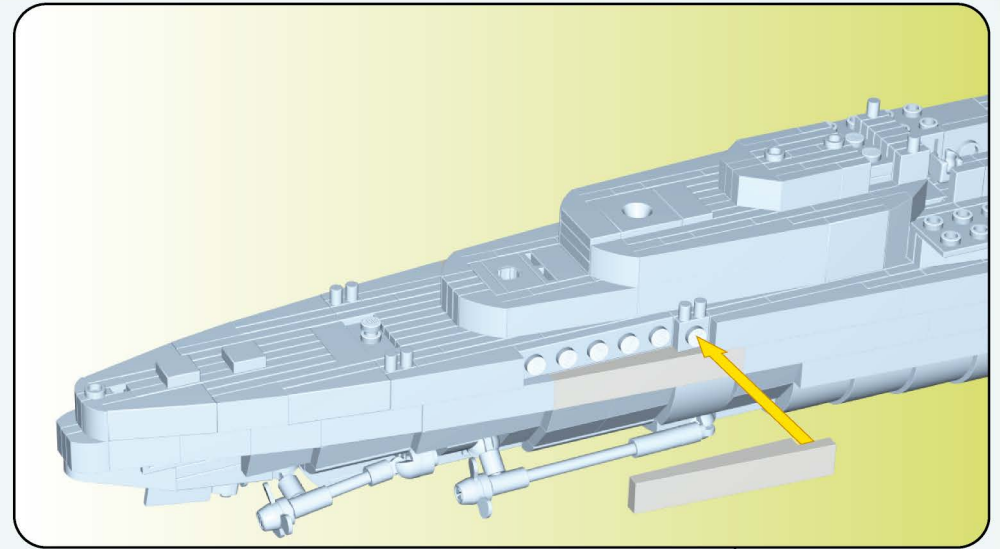
274



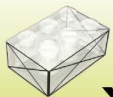




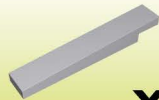
276



277 □ 344



x1

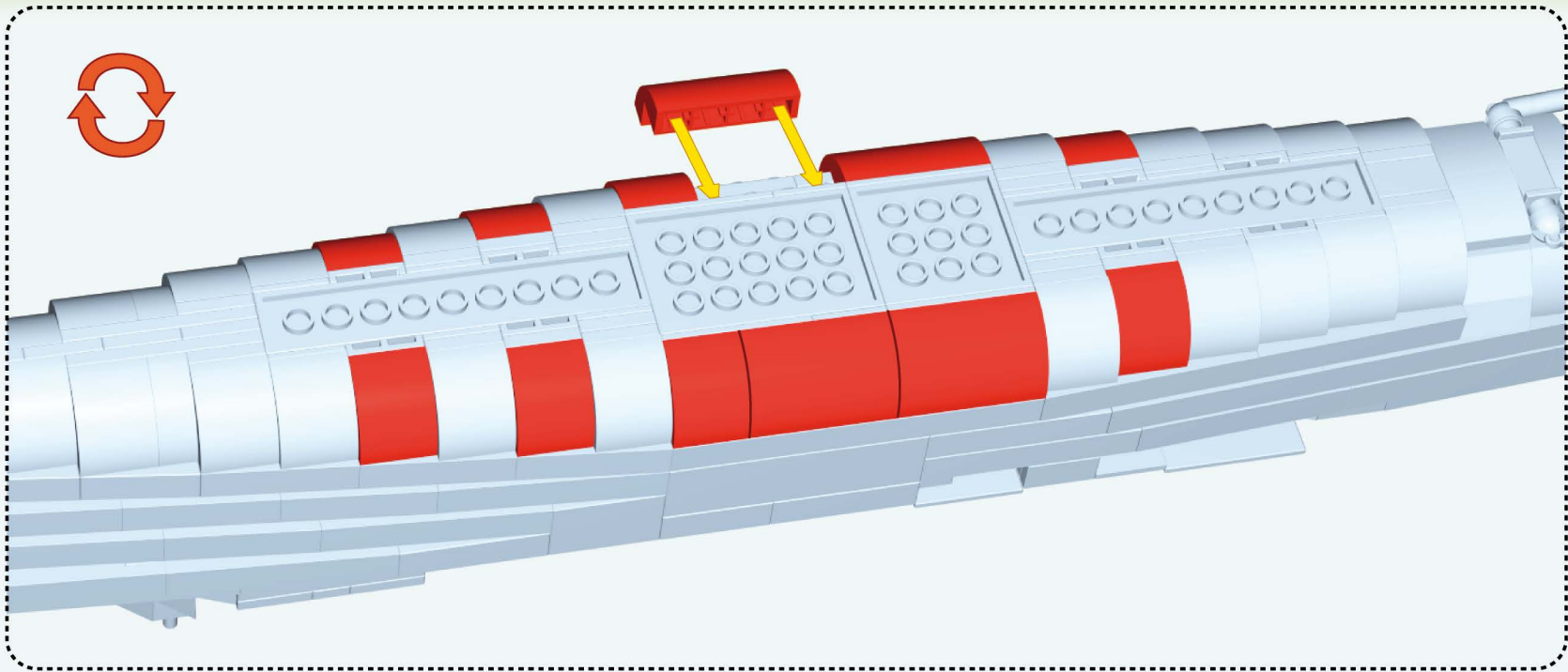


x1



x3

277

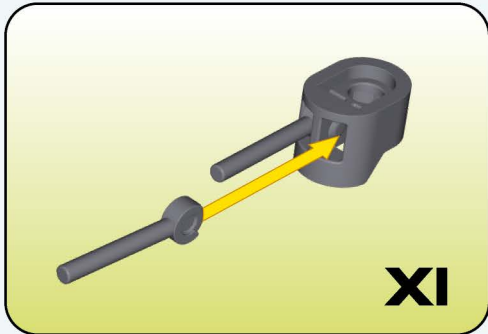


x8

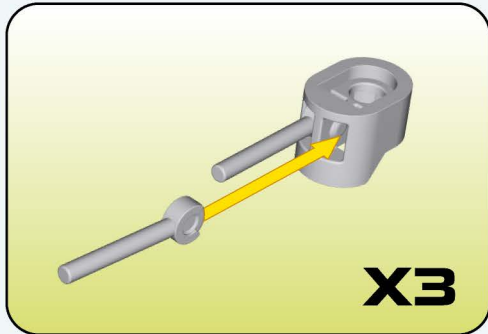


x4

278



x11



x3



x1



x2

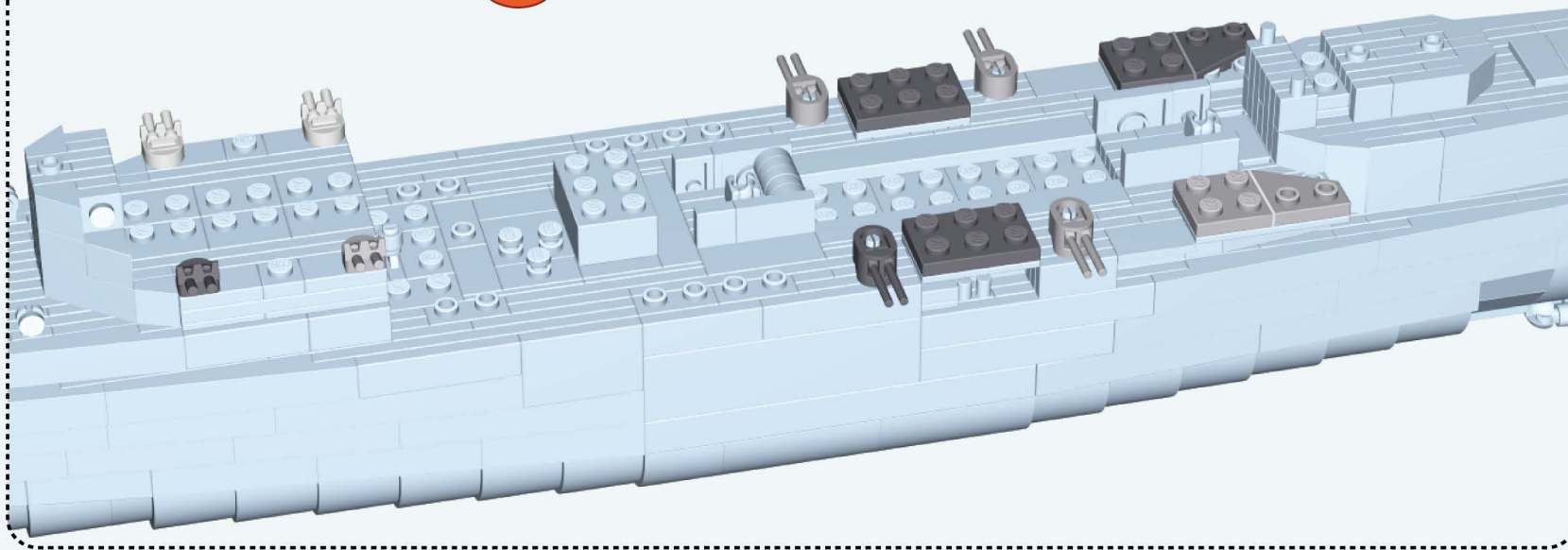


x3



x6





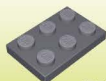
x1



x1



x2



x2



x1



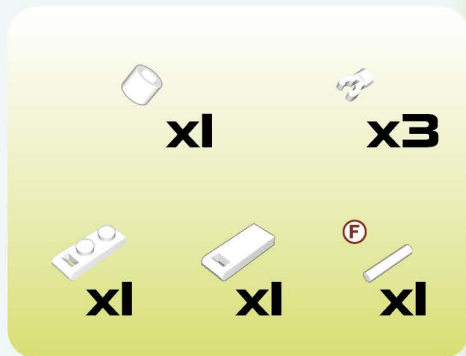
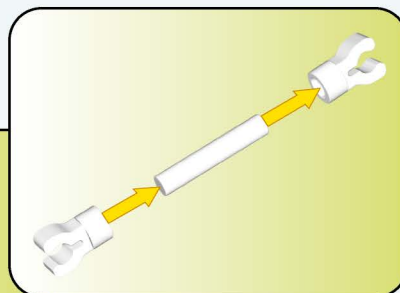
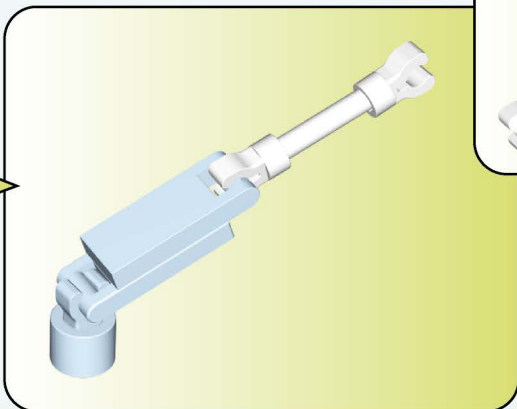
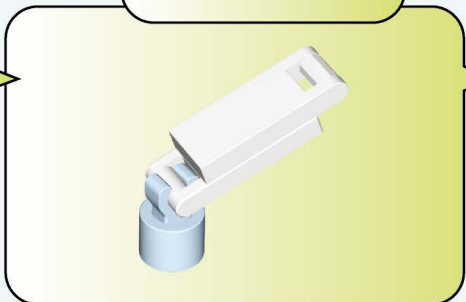
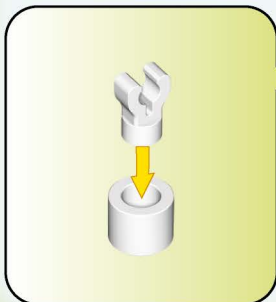
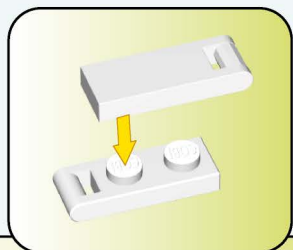
x1



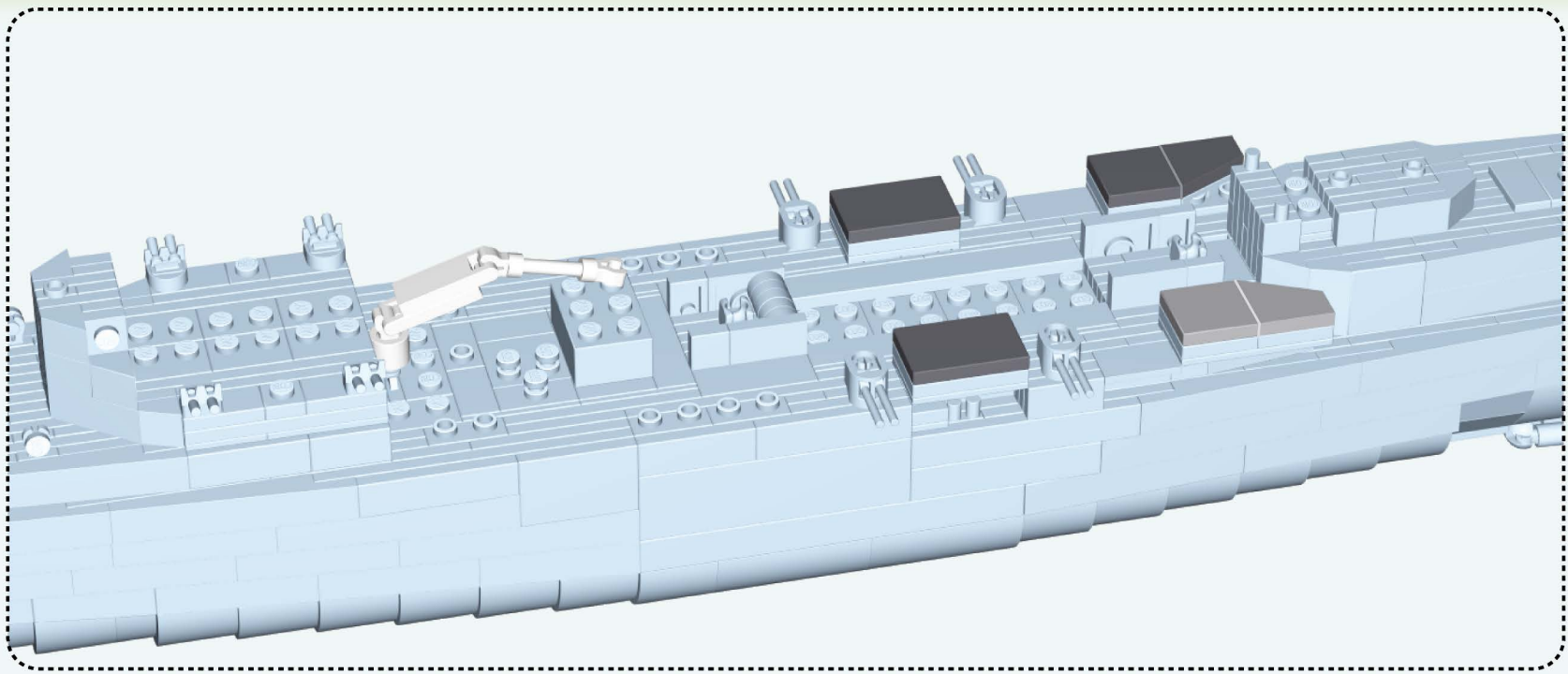
x1



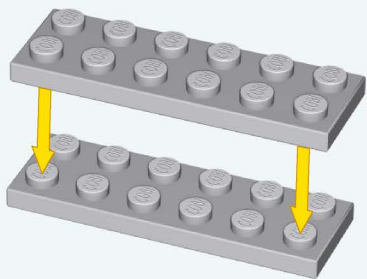
x1



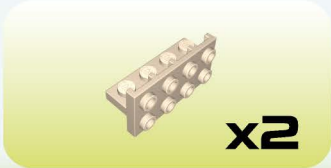
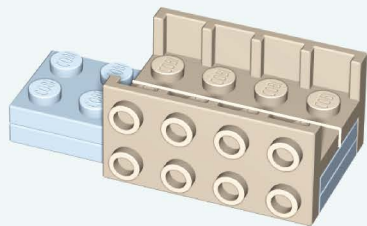
281



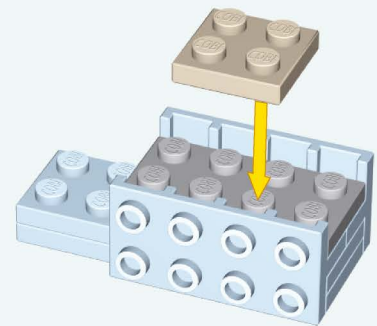
282



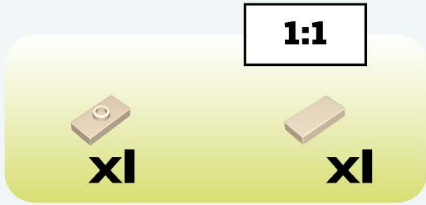
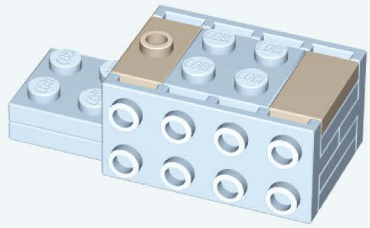
283



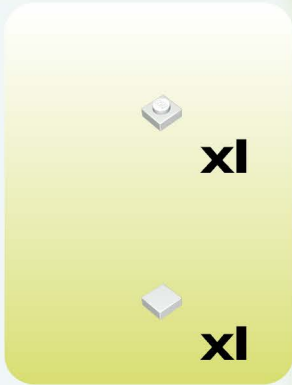
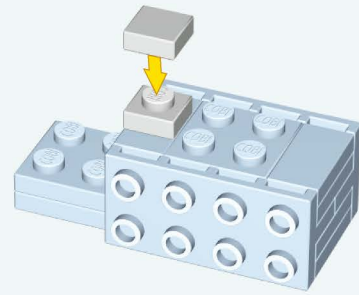
284



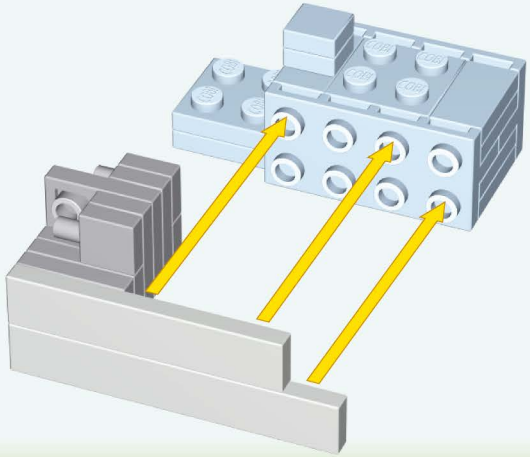
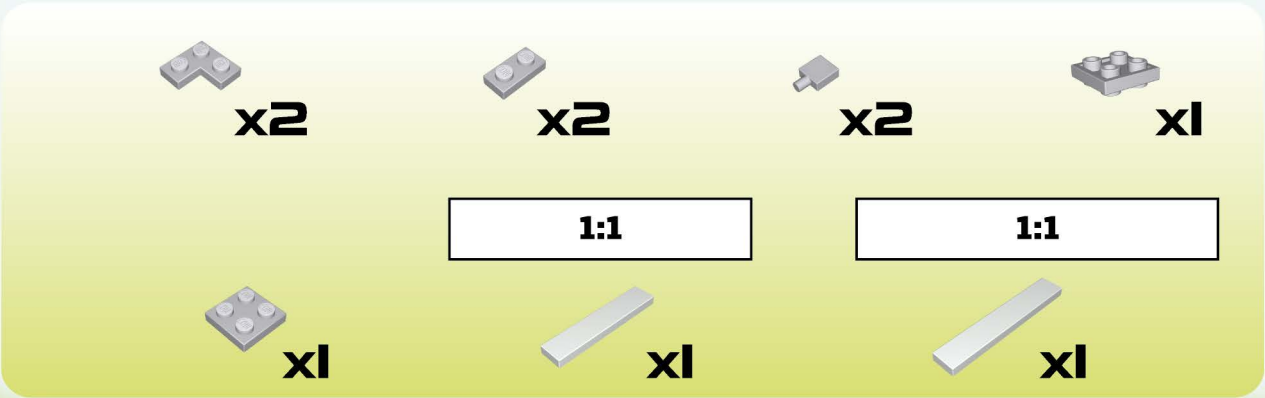
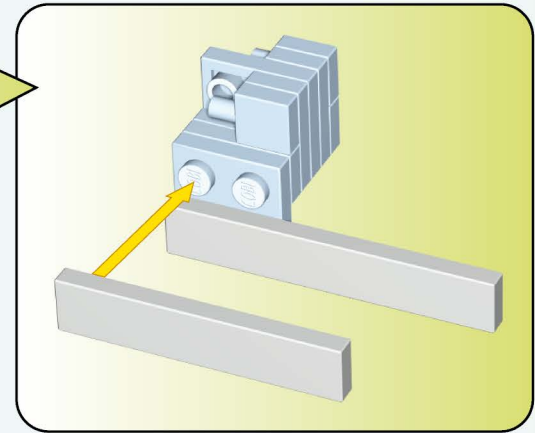
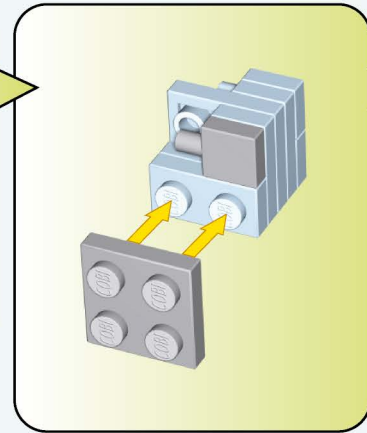
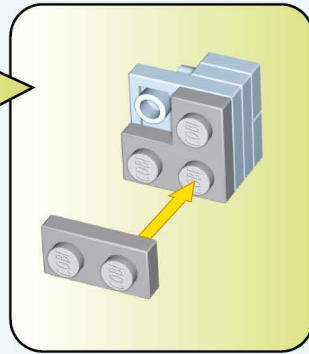
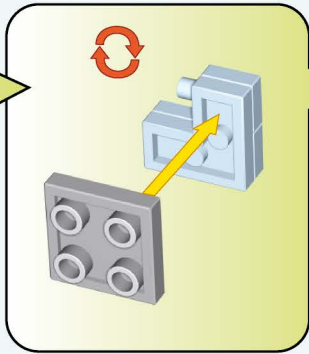
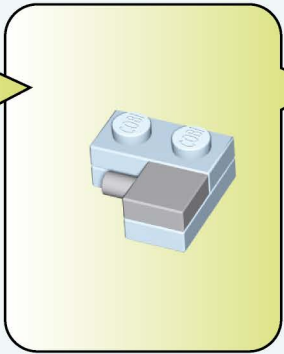
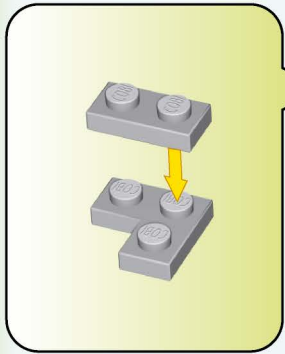
285



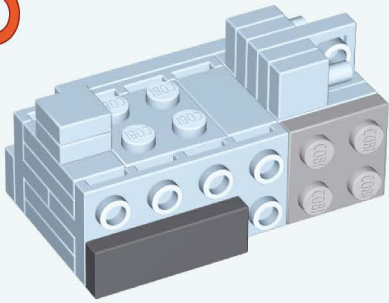
286



287



288



1:1

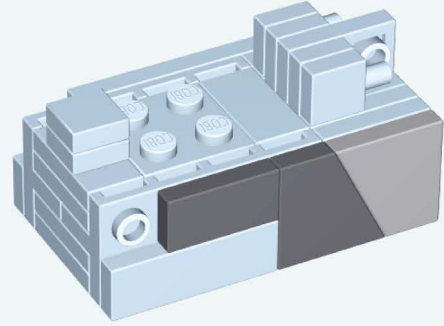


x1



x1

289



1:1



x1

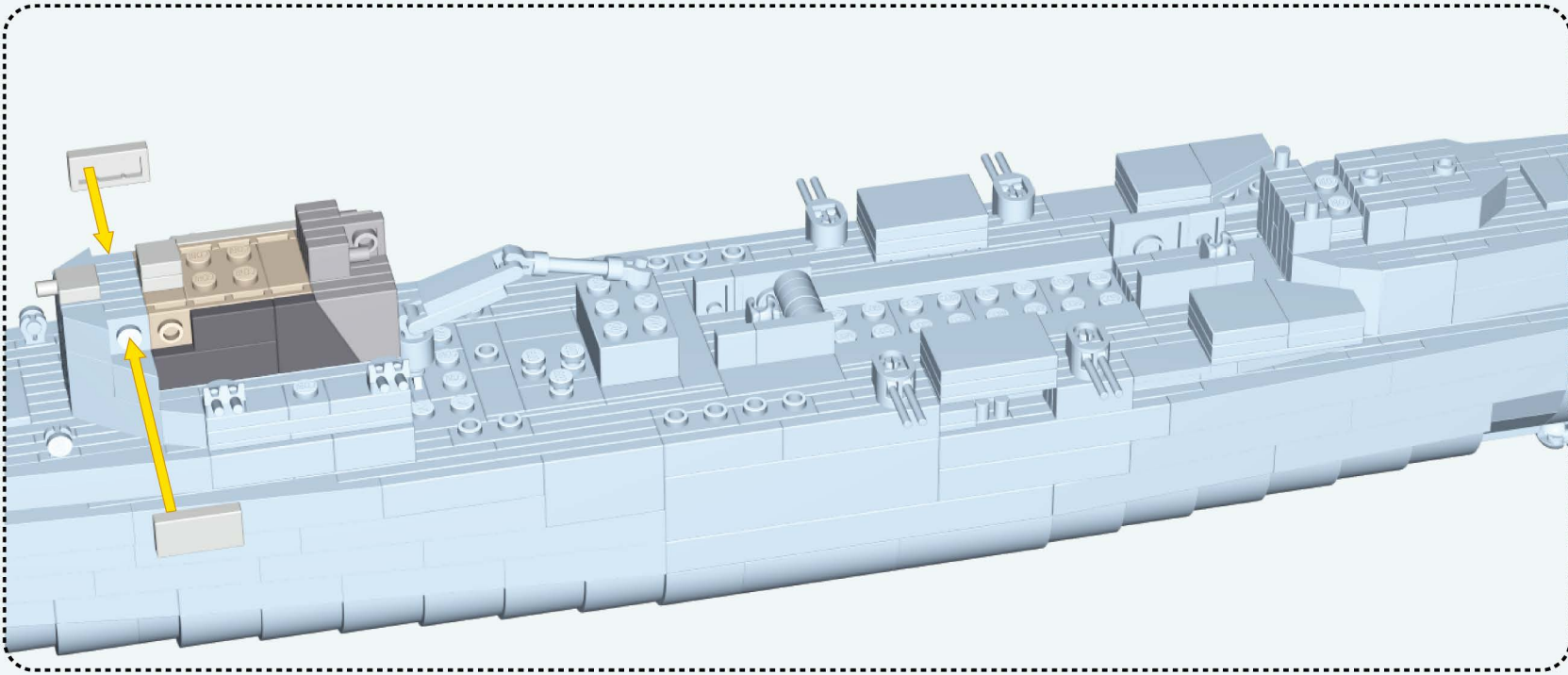


x1



x1

290



1:1

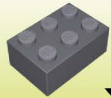
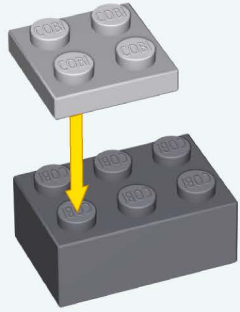


x1



x2

291



x1



x1

292

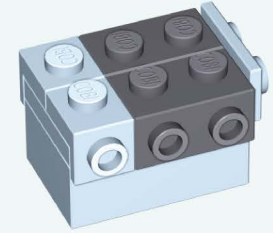


x2



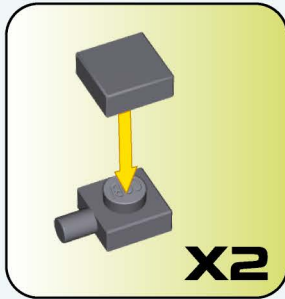
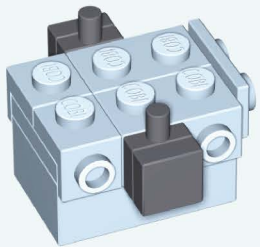
x1

293



x2

294



x2



x2



x2

295

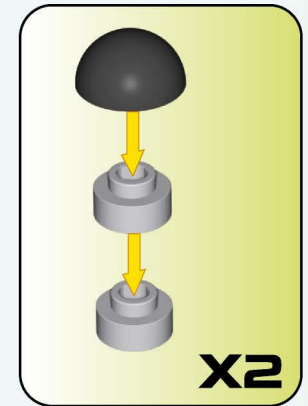
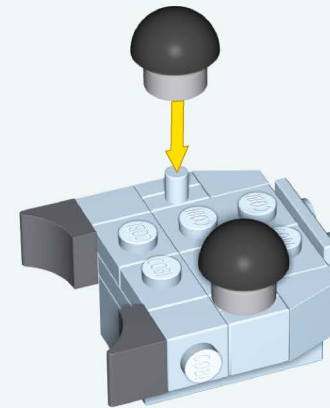


x2



x2

296



x2



x2

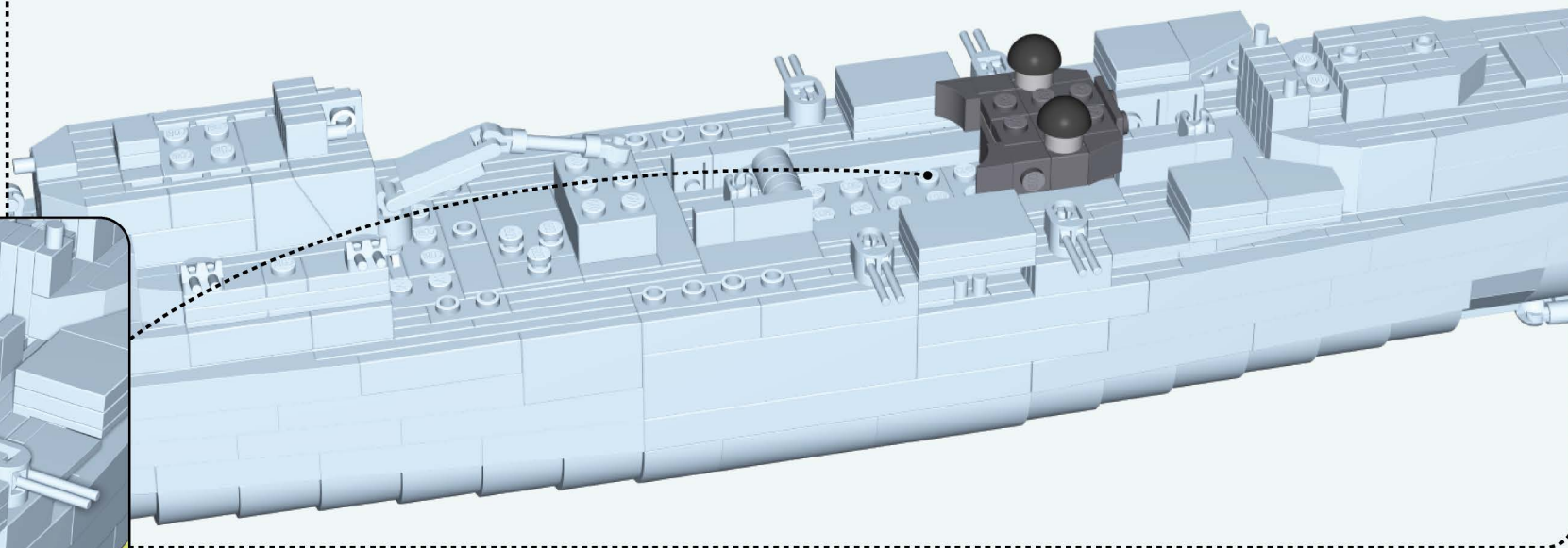
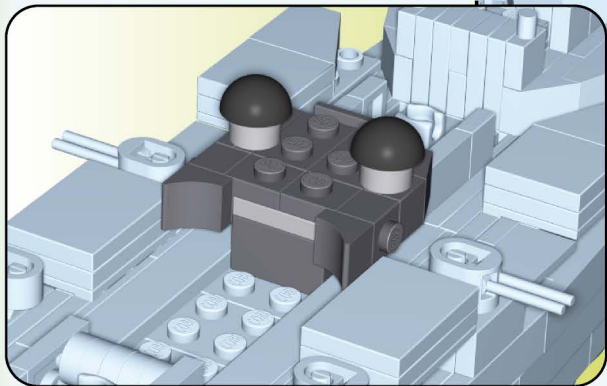


x4

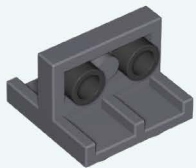
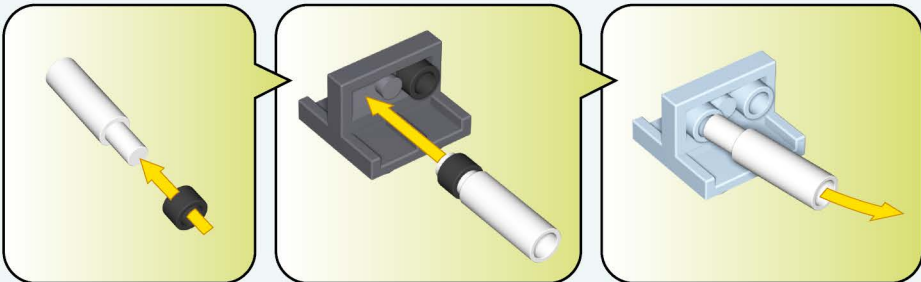


x2

297



298

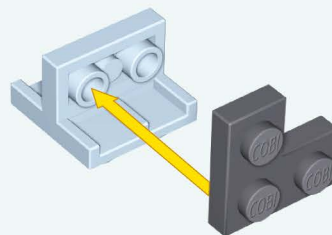


x1



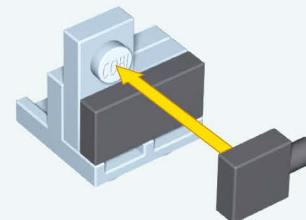
x2

299



x1

300



1:1

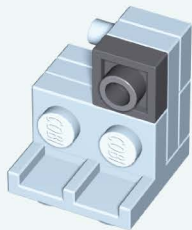


x1



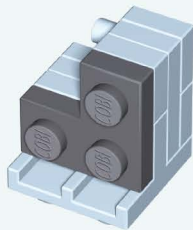
x1

301



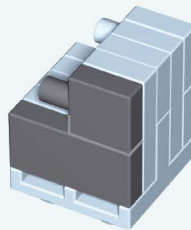
x1

302



x1

303



1:1

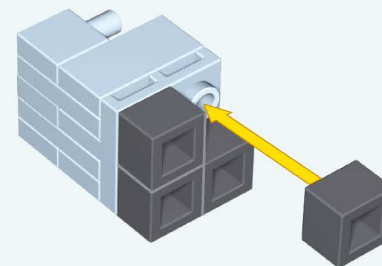


x1



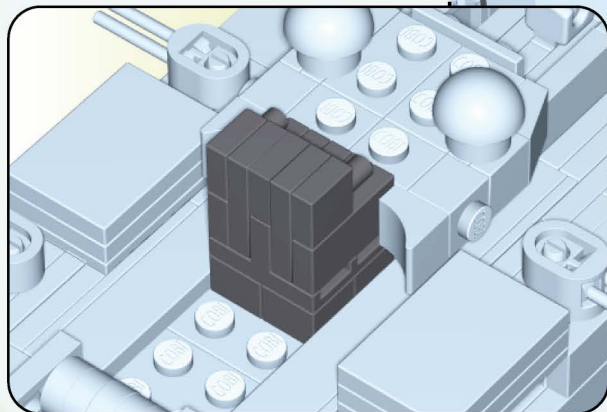
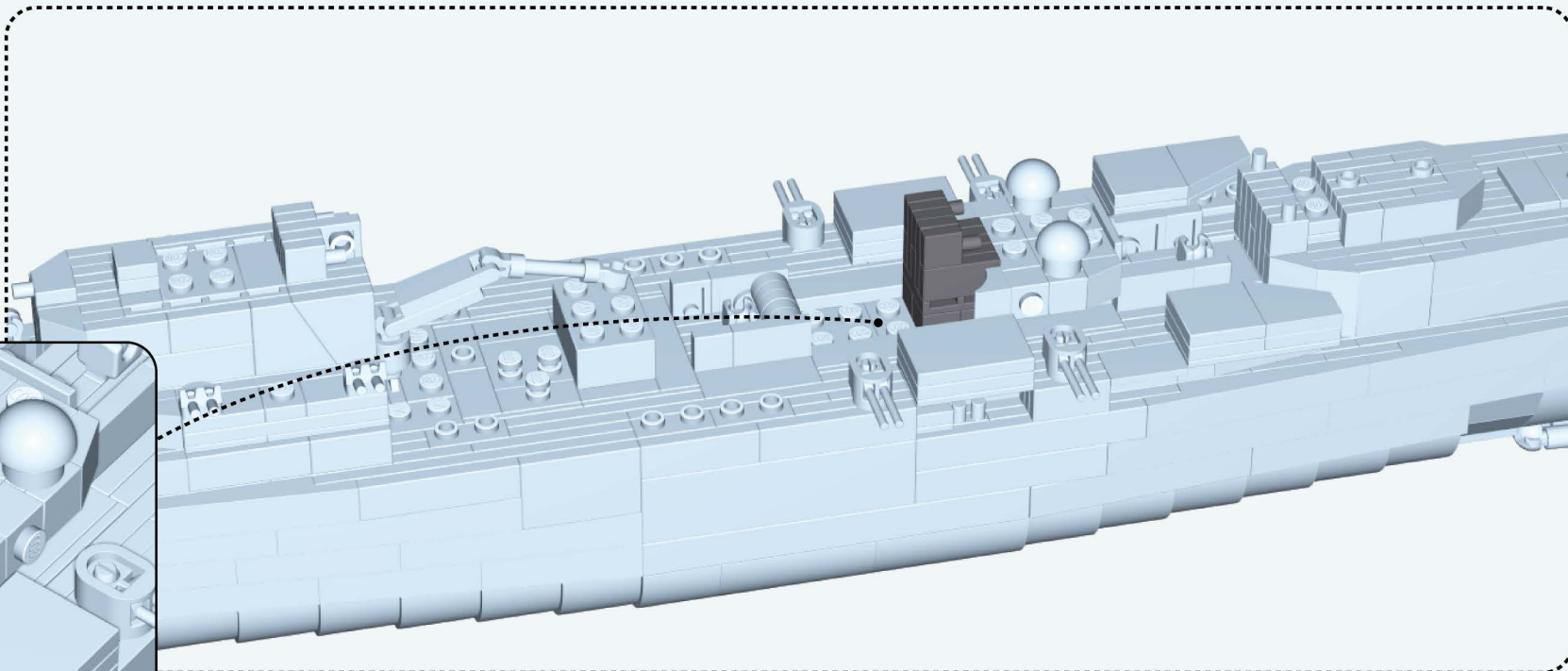
x1

304

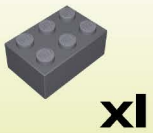
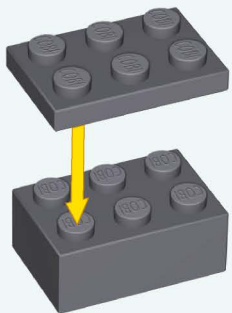


x4

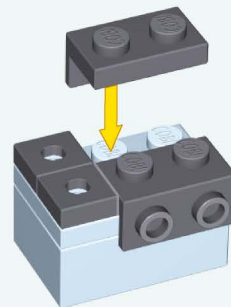
305



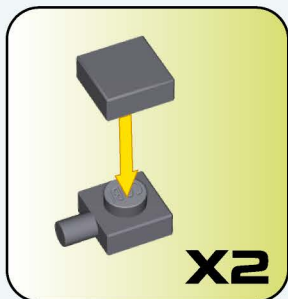
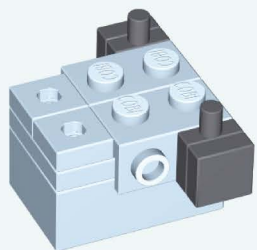
306



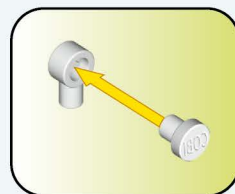
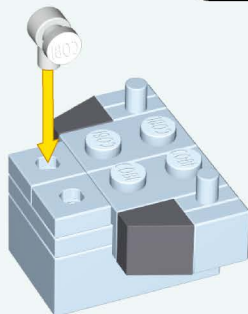
307



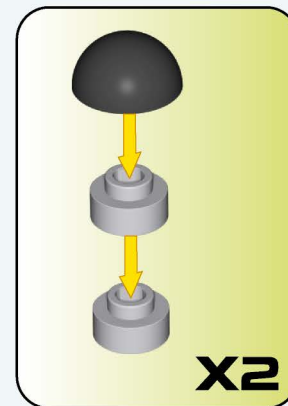
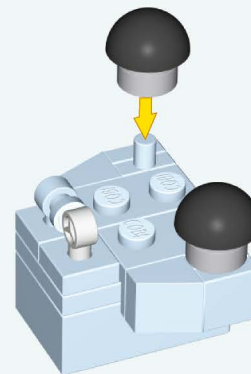
308



309

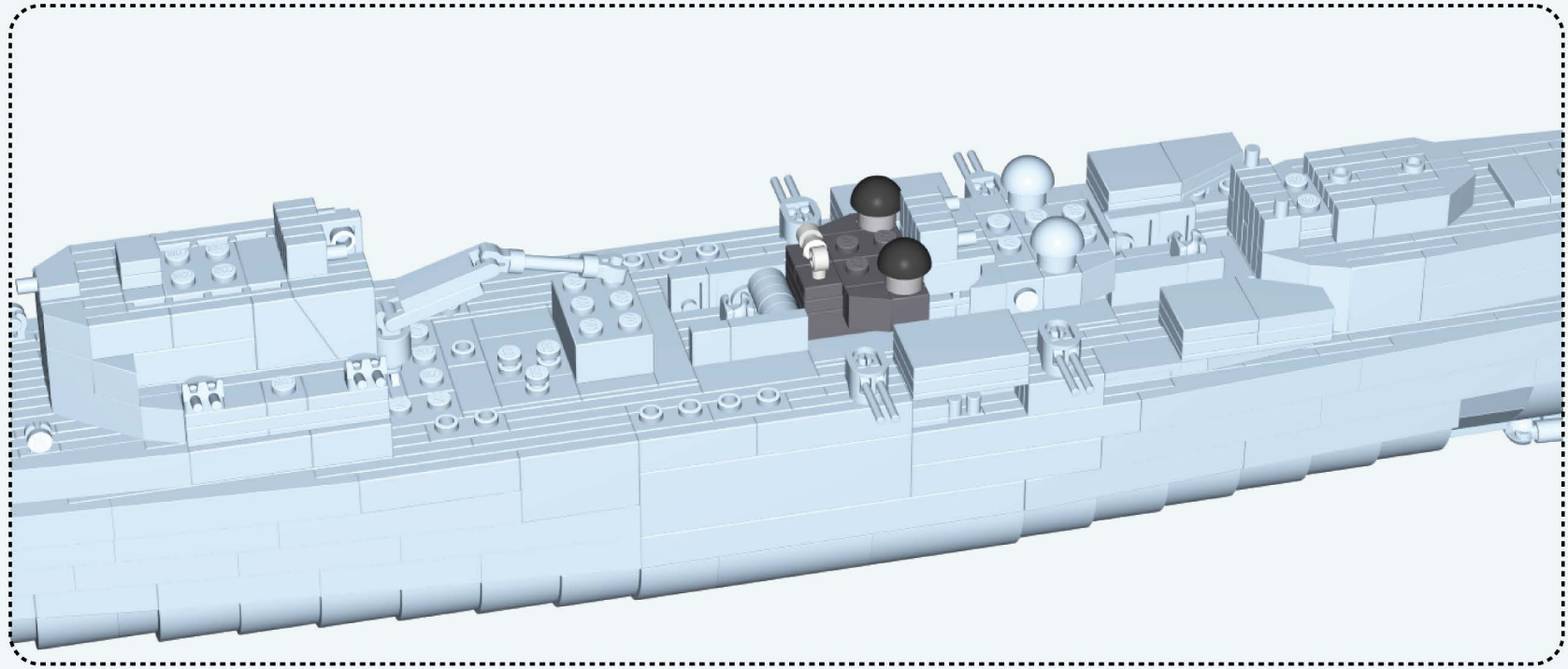


310

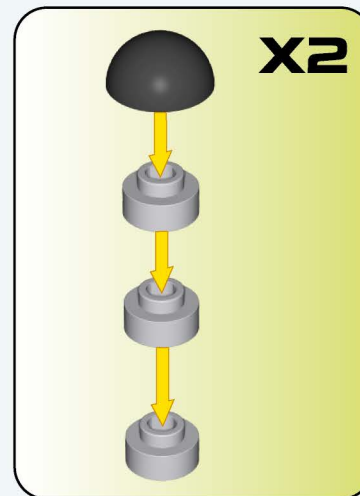
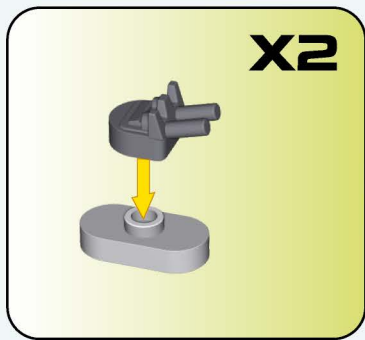




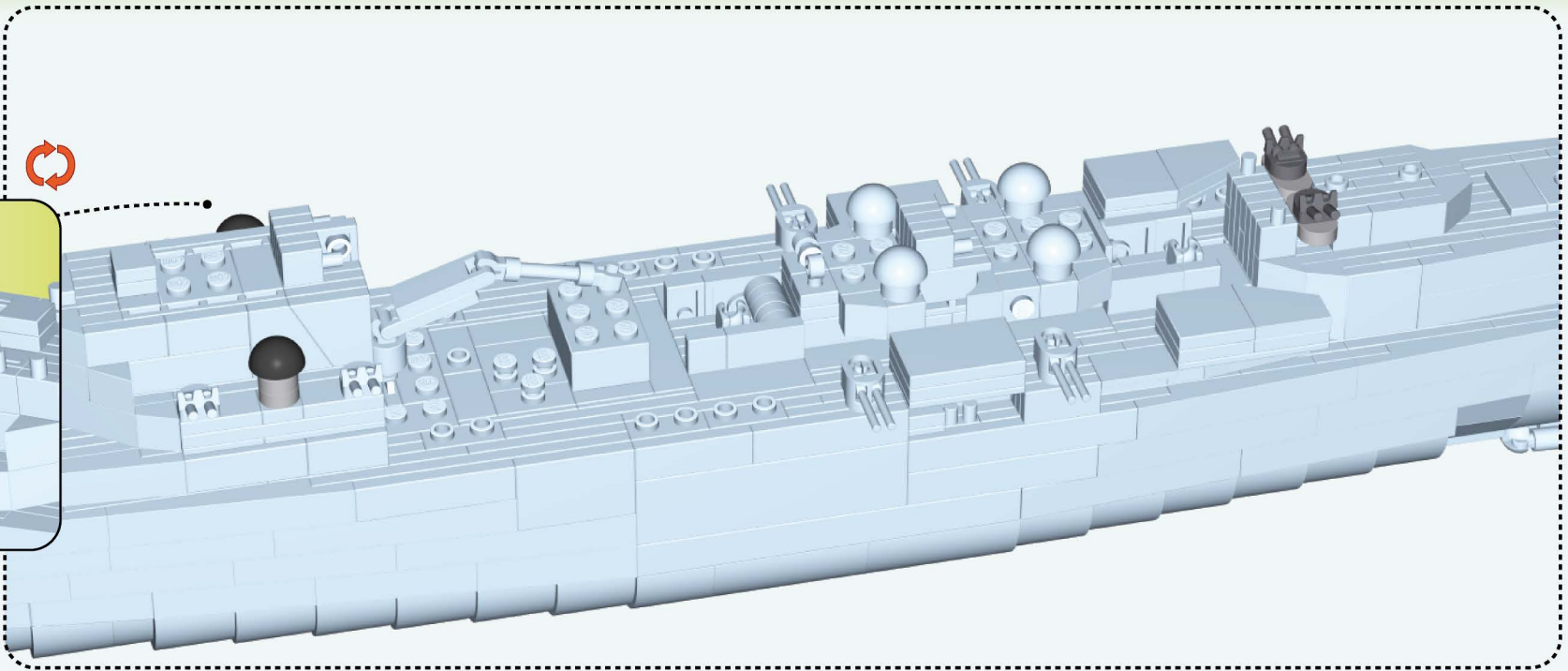
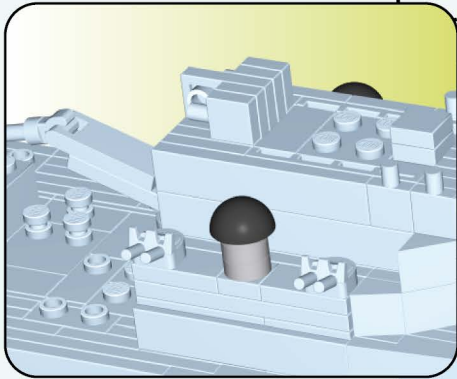
311



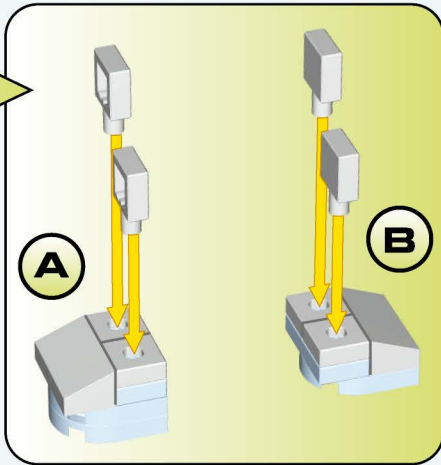
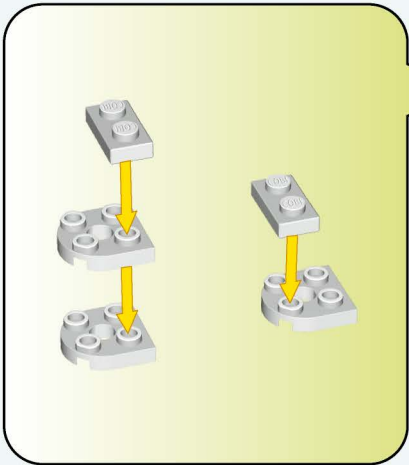
312



313



314



x3



x2



x2

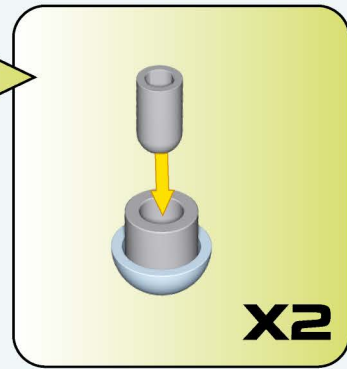
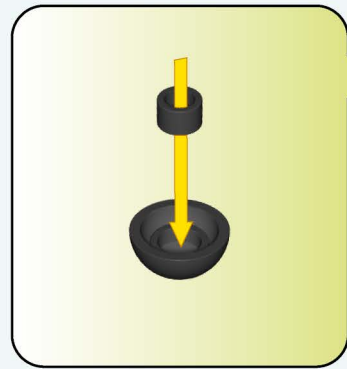


x4



x4

315



x2



x2

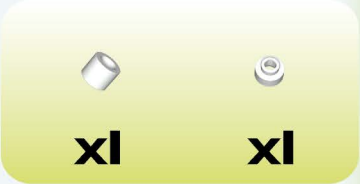
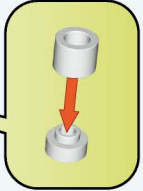
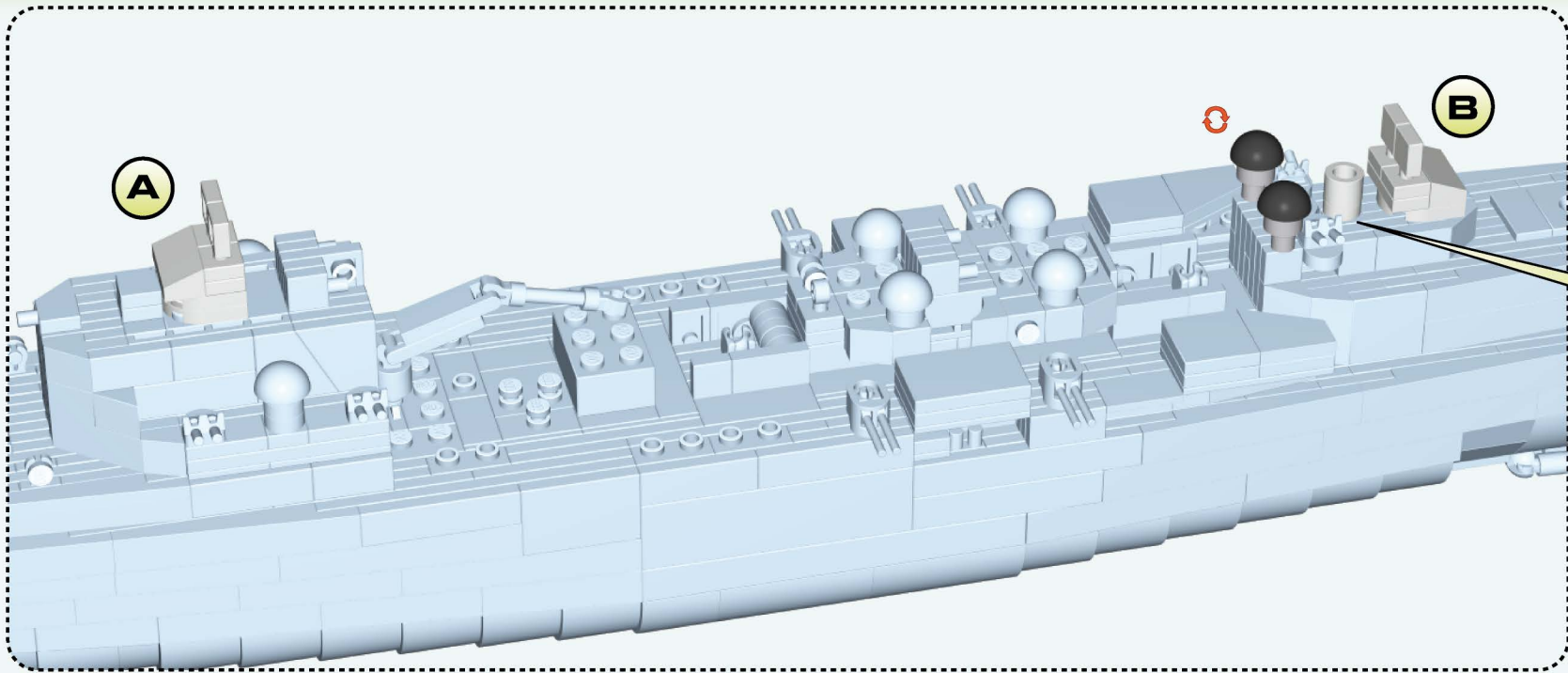


x2

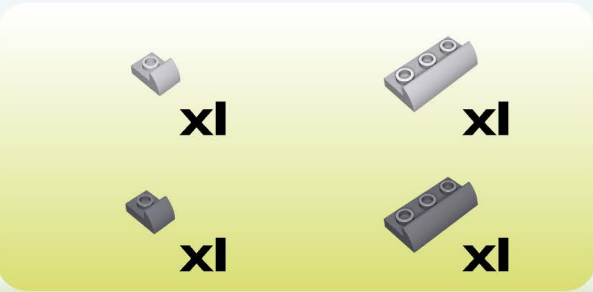
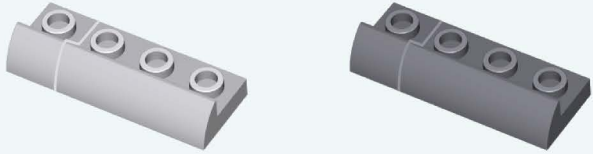


x2

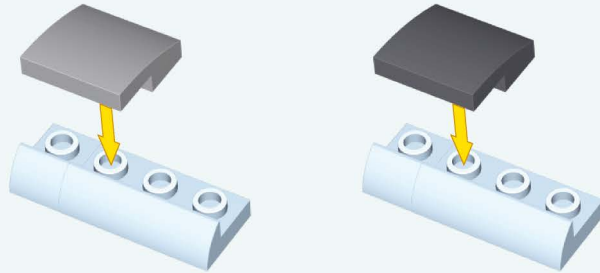
316



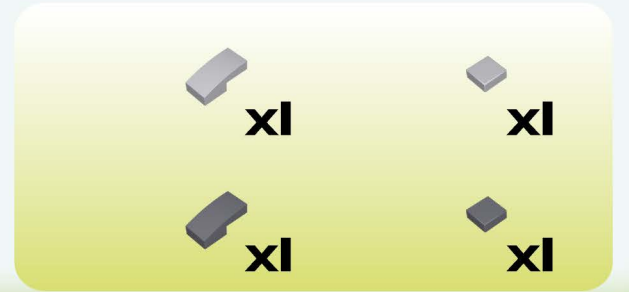
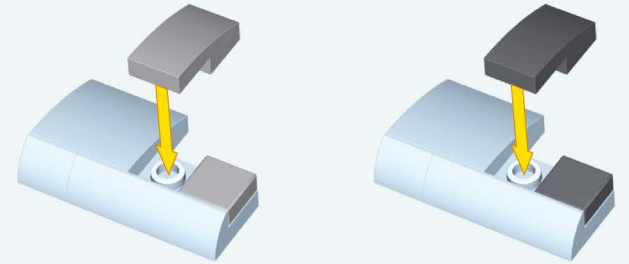
317



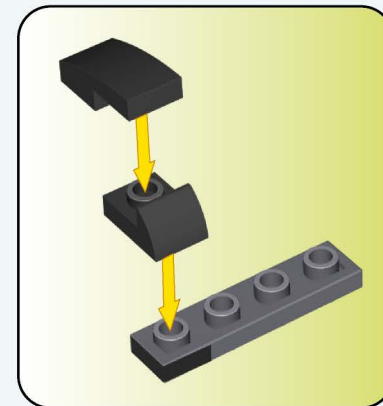
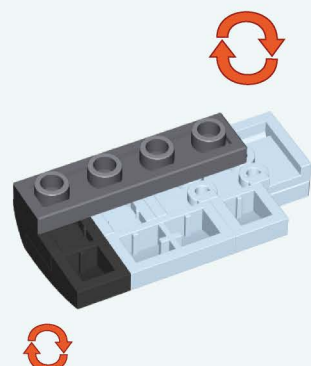
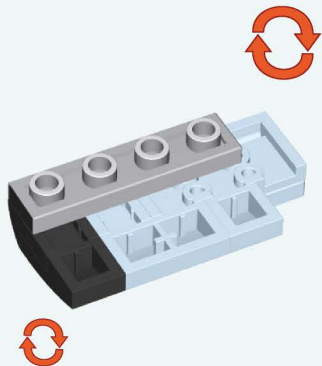
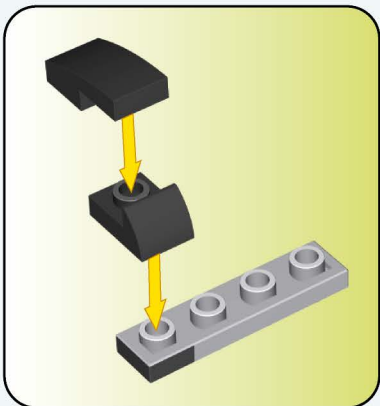
318



319



320



x2



x2

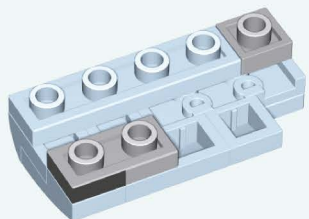


x1

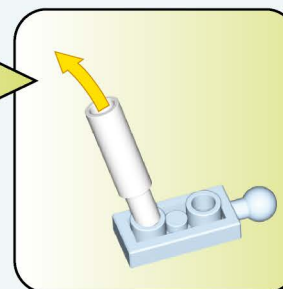
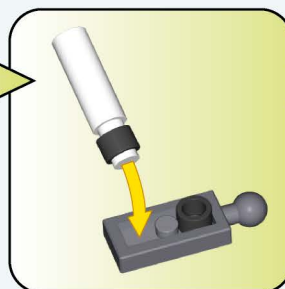
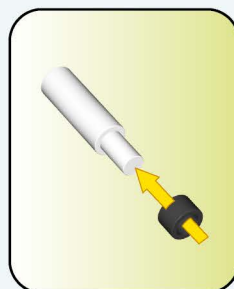
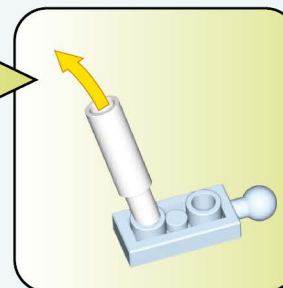
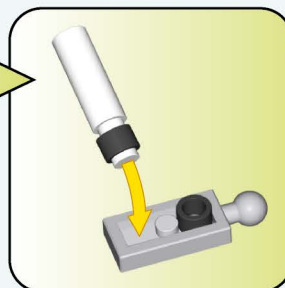
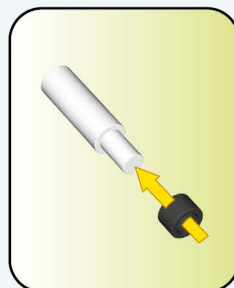


x1

321



322



x1



x1



x1



x1



x1

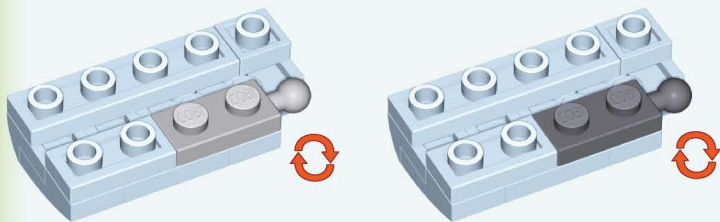


x1

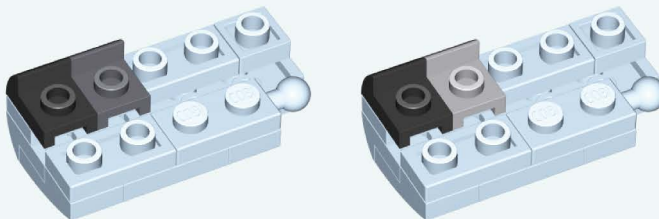


x4

323

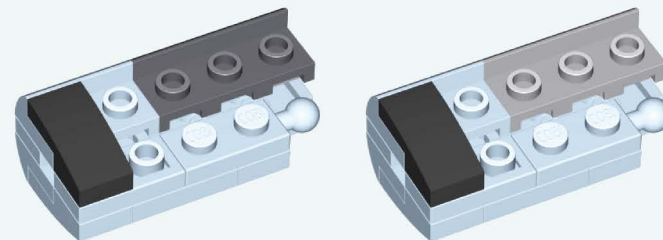


324



 x2  
  x1  
  x1

325



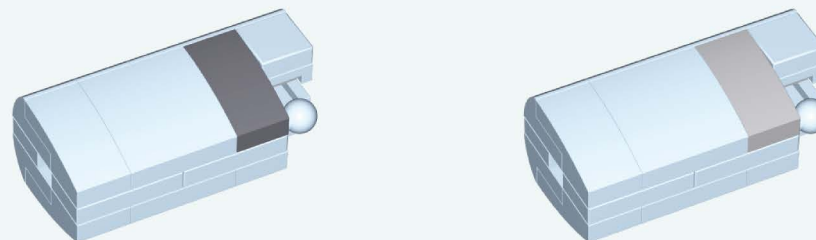
 x2  
  x1  
  x1

326



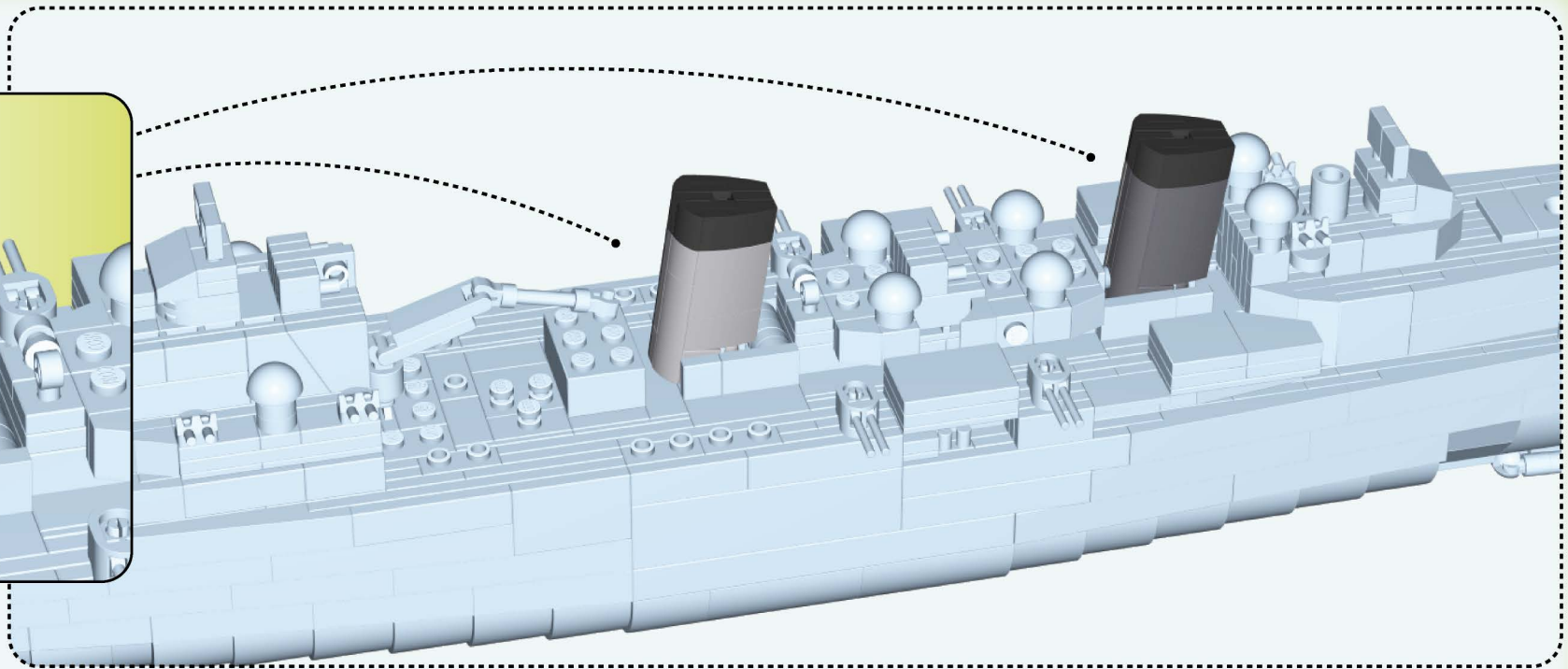
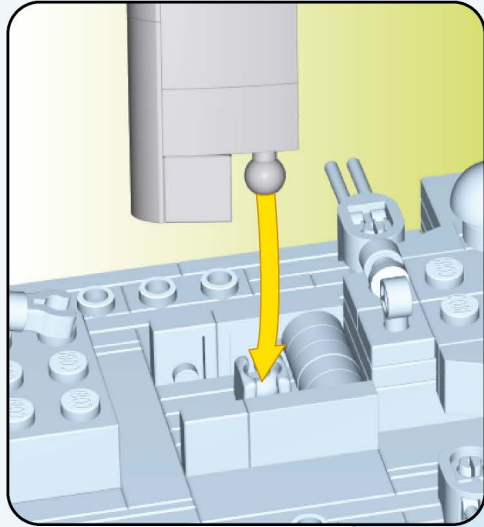
 x1  
  x1  
 x1  
 x1

327

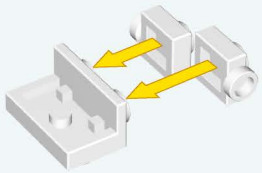


 x1  
 x1

328



329

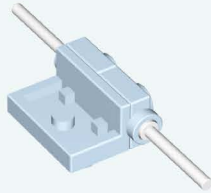


x1



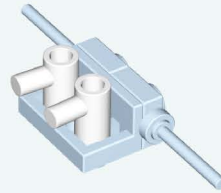
x2

330



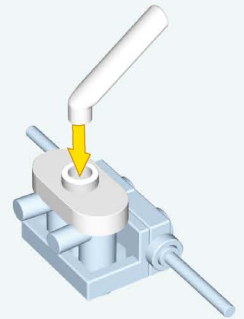
x2

331



x2

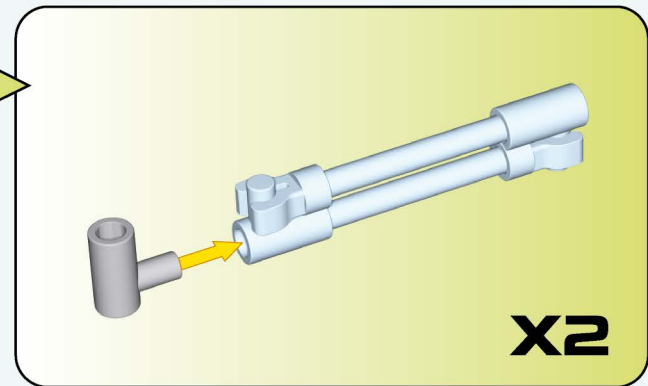
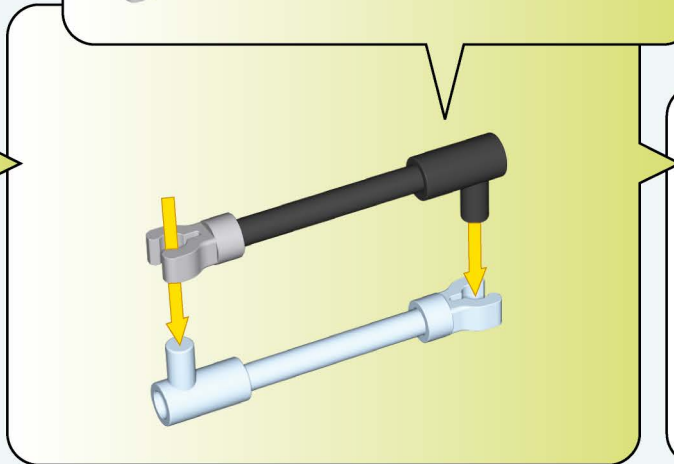
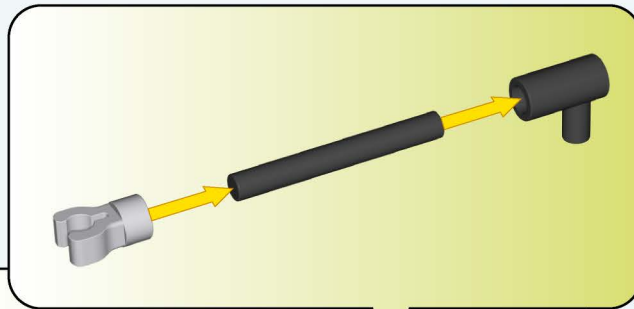
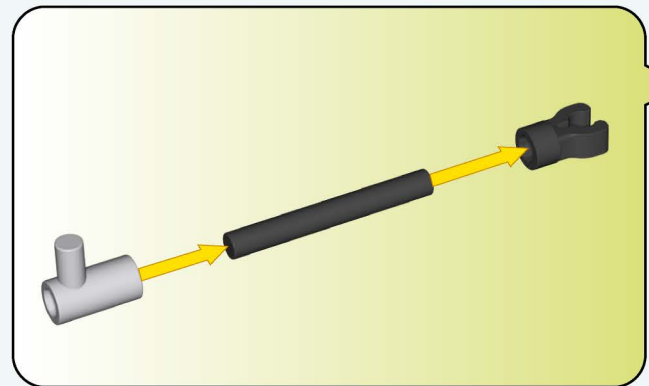
332










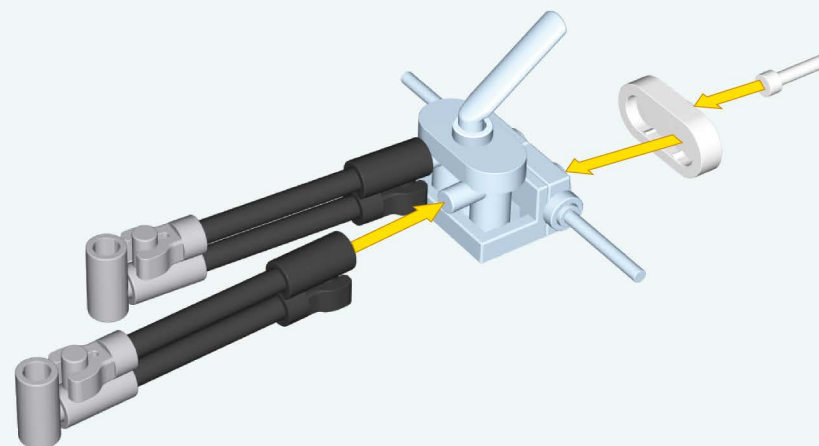
x1



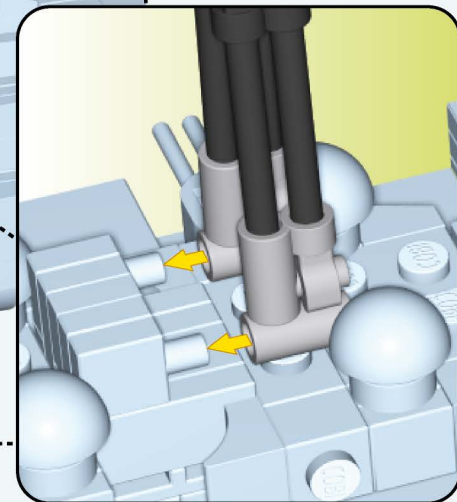
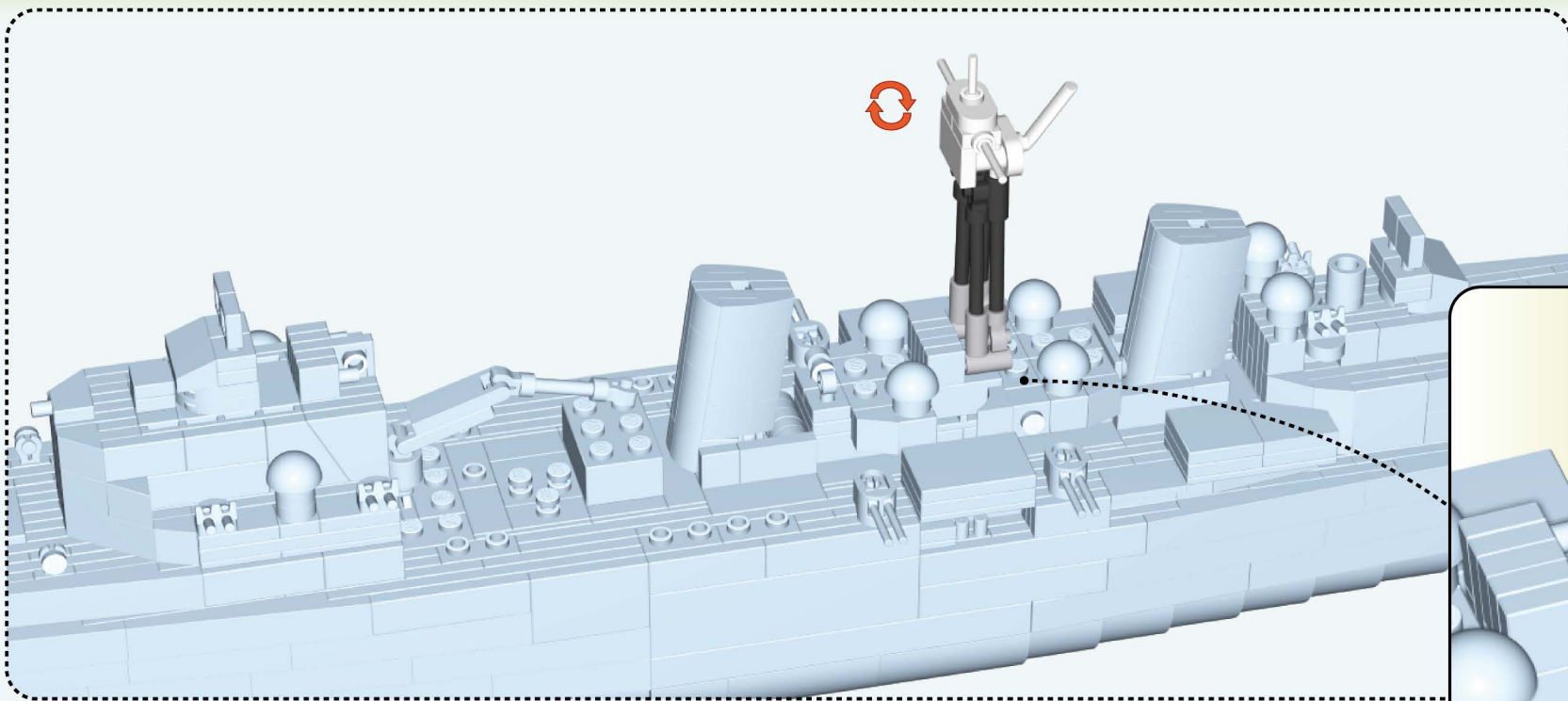
x1



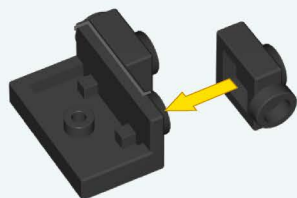
-  x4
-  x4
-  x2
-  x2
-  x2
-  x1
-  x1



334



335

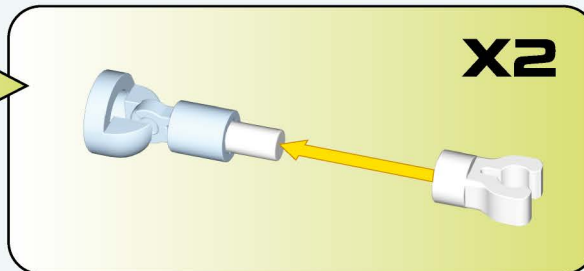
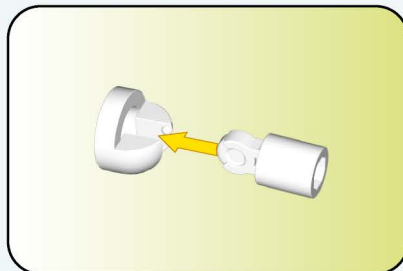


x1



x2

336



x2



x2



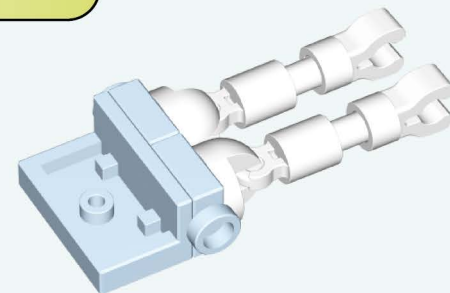
x2



x2

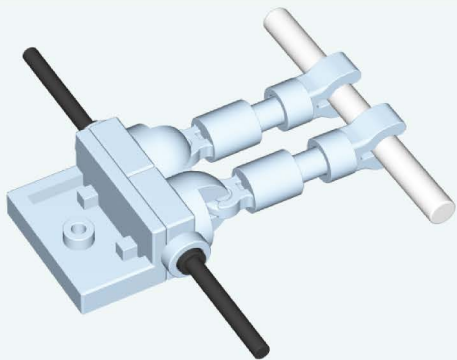


x2





337



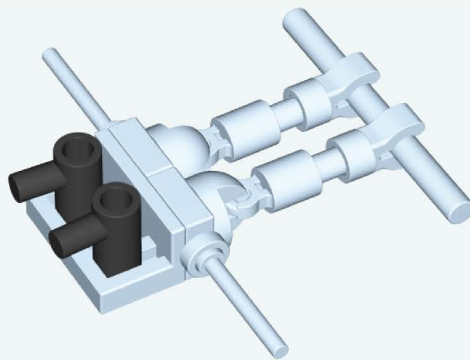
x2

®



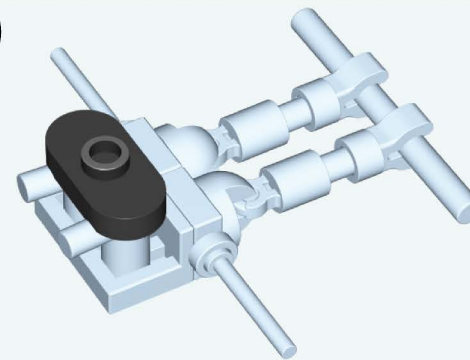
x1

338



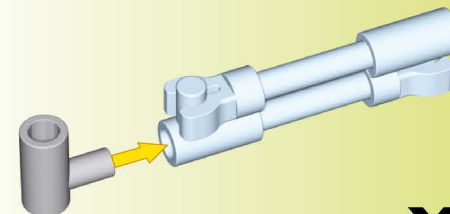
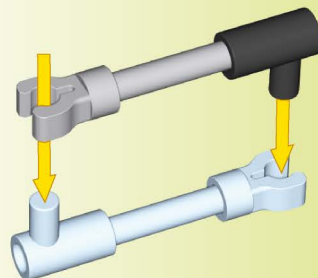
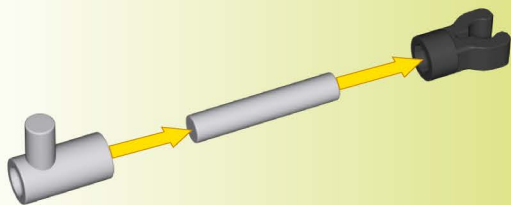
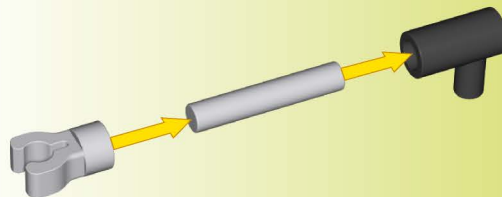
x2

339



x1

340



x2



x4



x4



x2

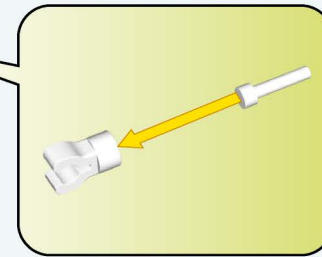
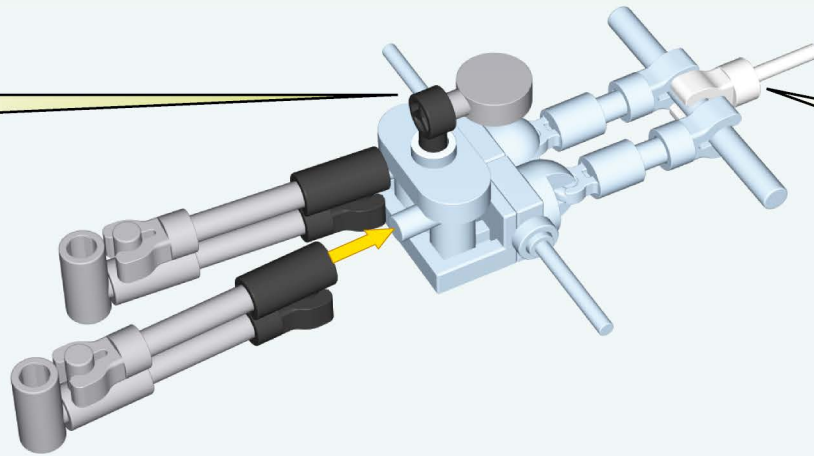
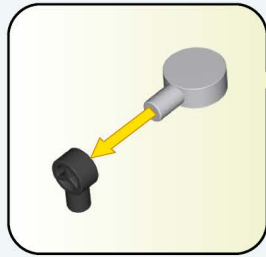


x2



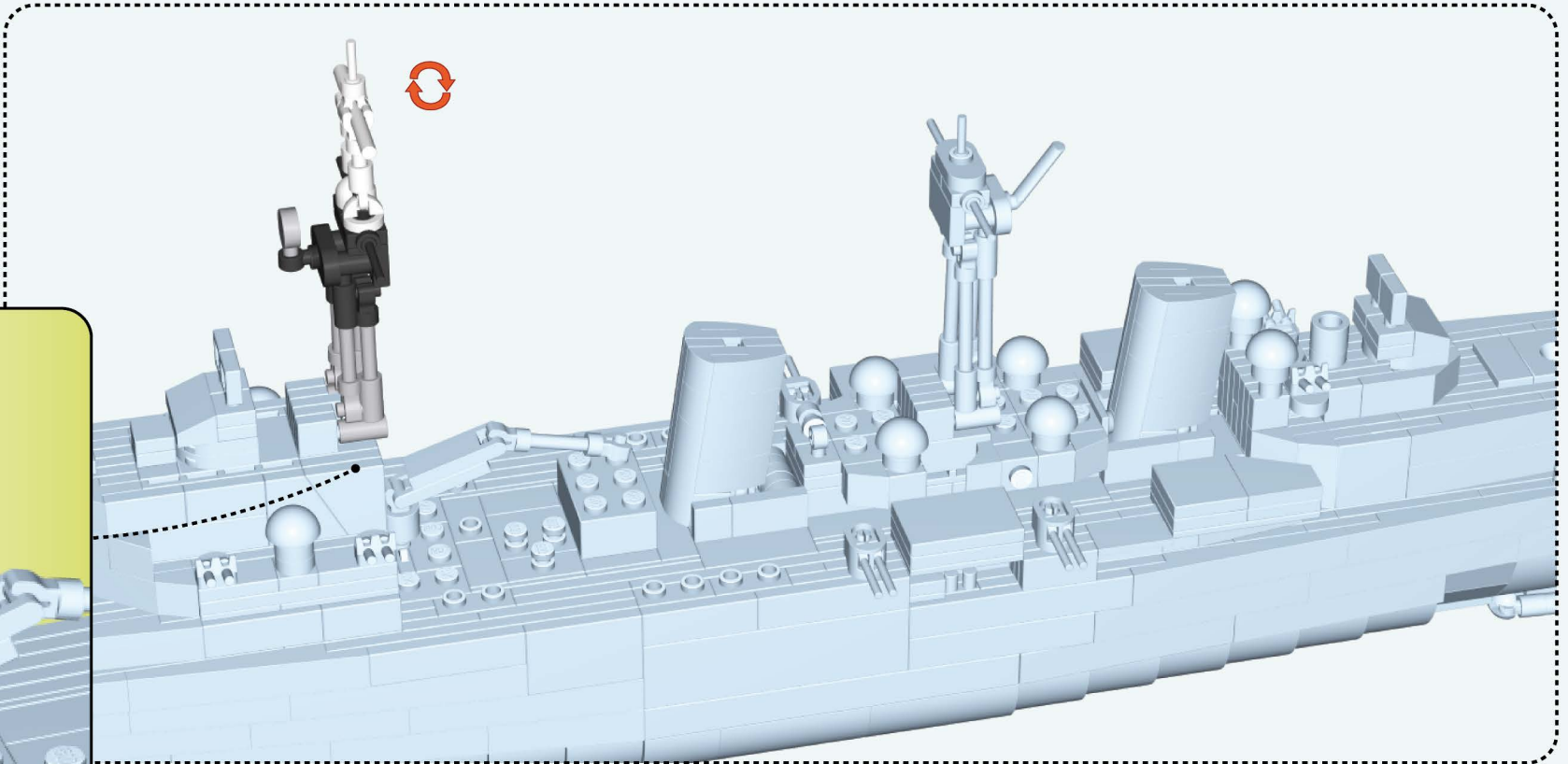
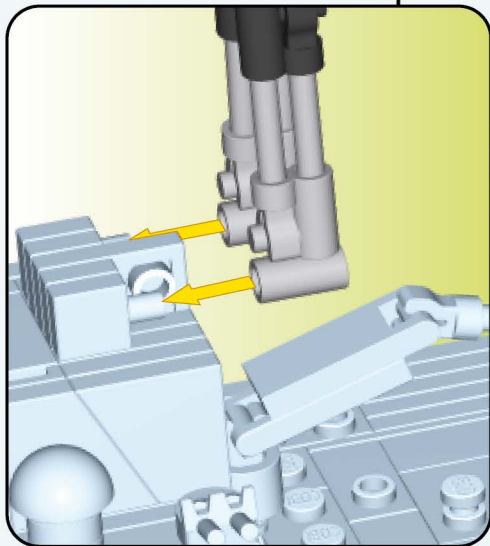
x2

341

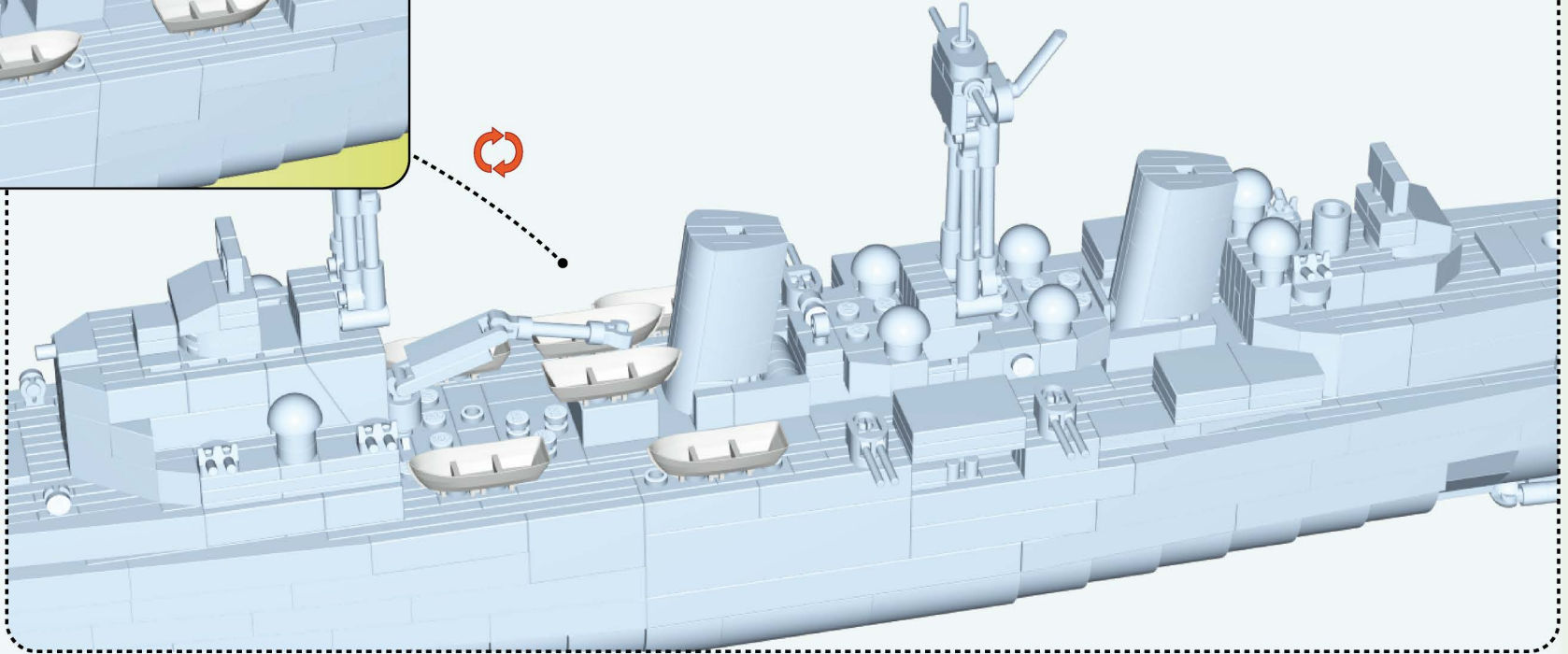
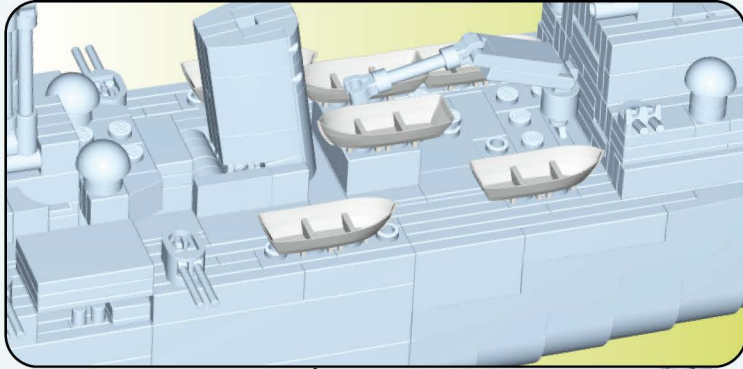


-  **x1**
-  **x1**
-  **x1**
-  **x1**

342

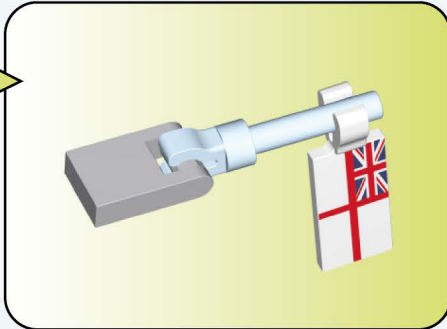
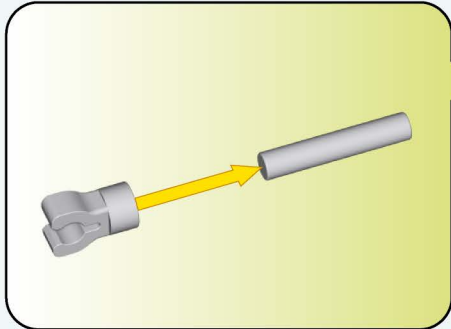


343



x6

344



x1



x1

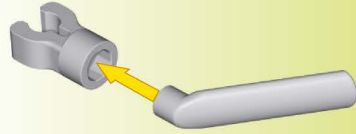


x1



x1

X2



x2



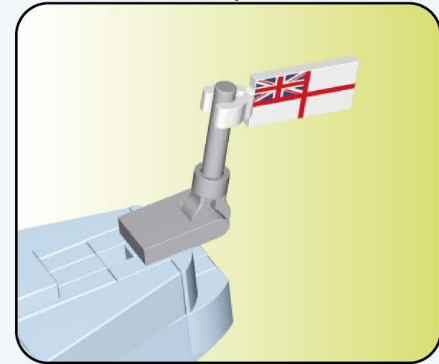
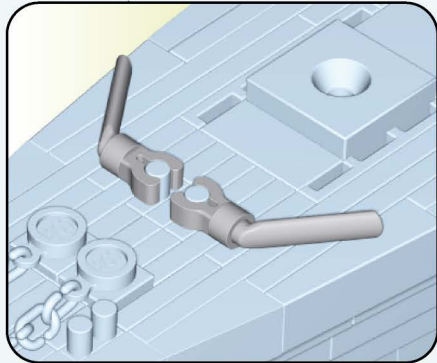
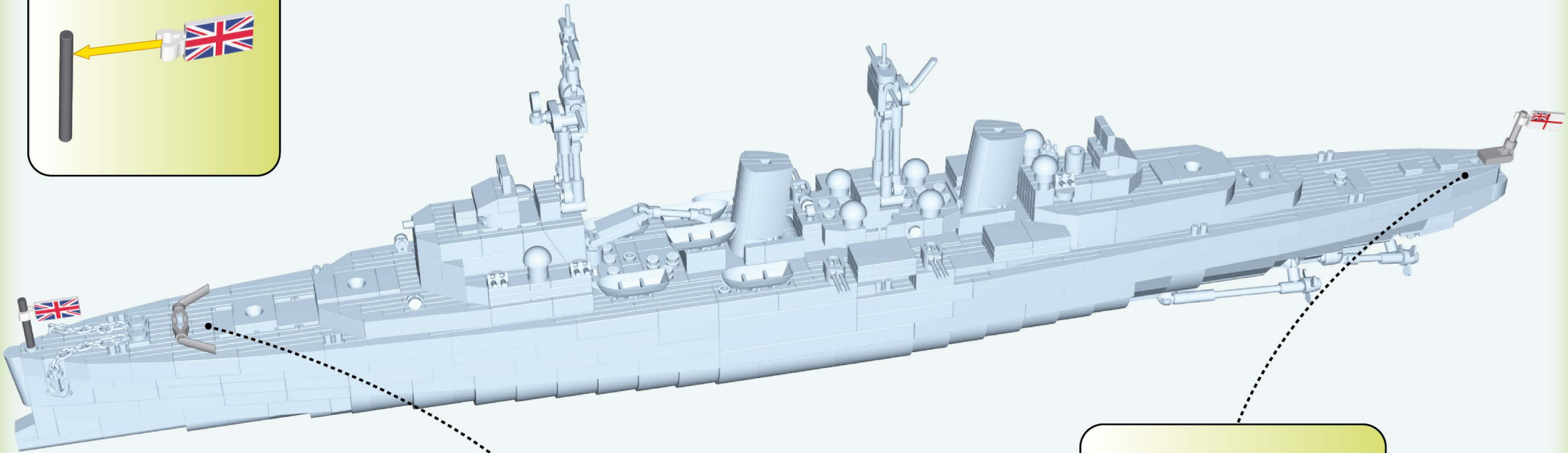
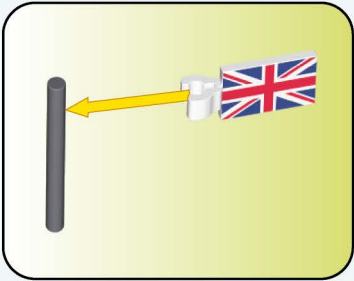
x2



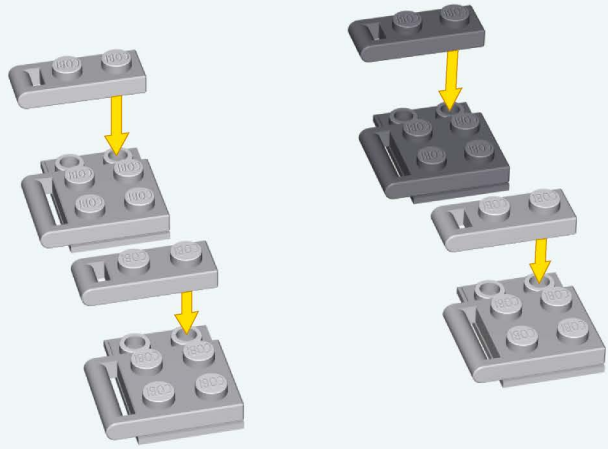
x1



x1

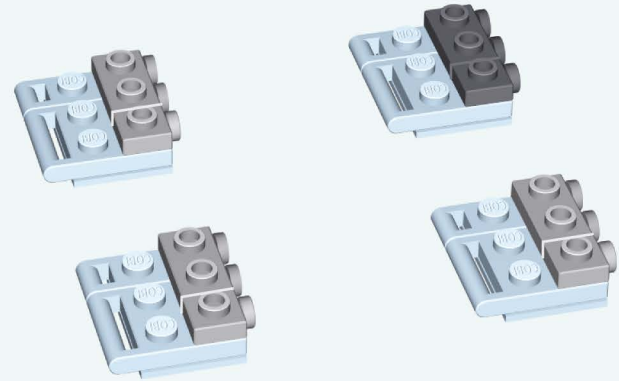


346



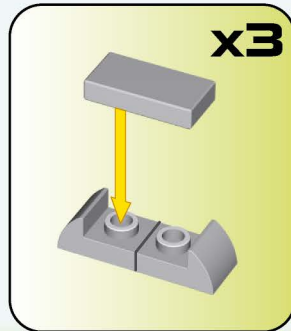
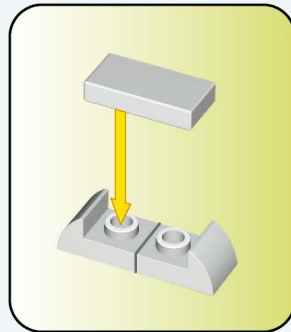
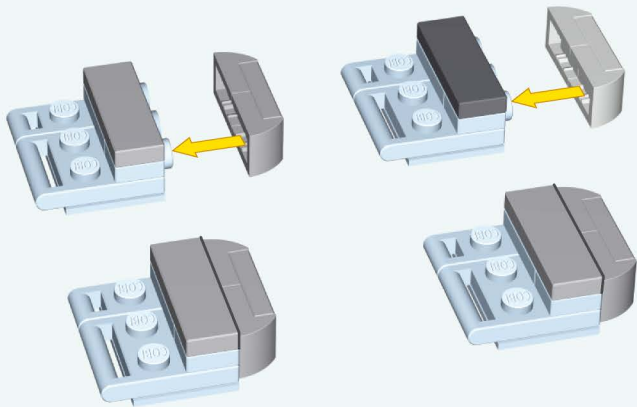
-   
**x3**
-   
**x3**
-   
**x3**
-   
**x1**
-   
**x1**
-   
**x1**

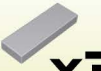





347



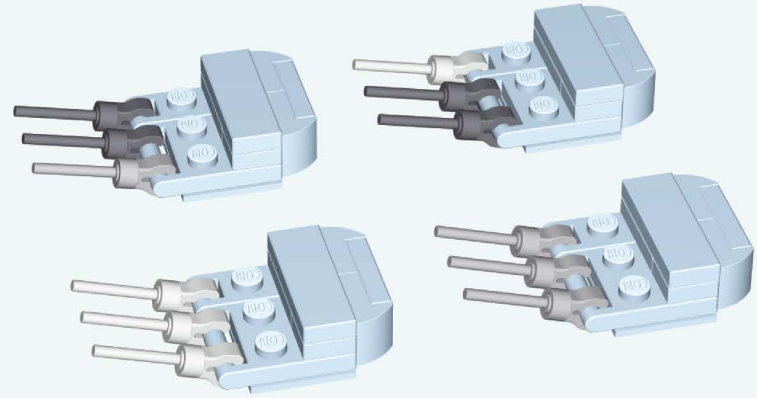
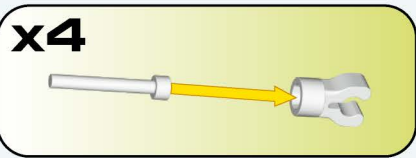
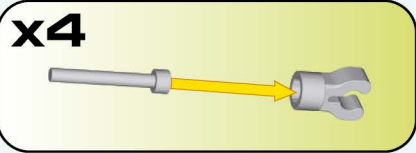
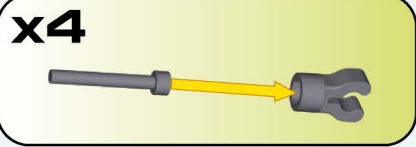
-   
**x3**
-   
**x3**
-   
**x1**
-   
**x1**

348



- |  |  |  |            |
|--|--|--|------------|
| <b>1:1</b>   | <b>1:1</b>   |  |            |
| <br><b>x3</b> | <br><b>x1</b> | <br><b>x2</b> |            |
| <b>1:1</b>   | <br><b>x1</b> | <br><b>x6</b> | <b>1:1</b> |
|  |  | <br><b>x3</b> |            |

349



x4



x4



x4



x4

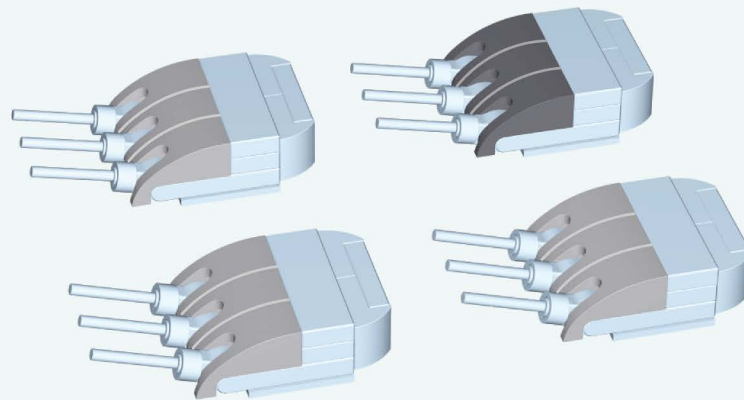


x4



x4

350



x9

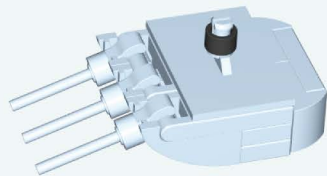
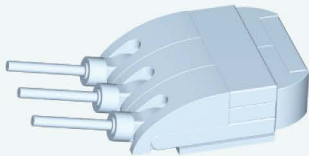
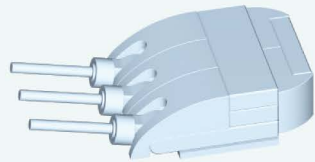


x3

351

A

B



C

D



XI

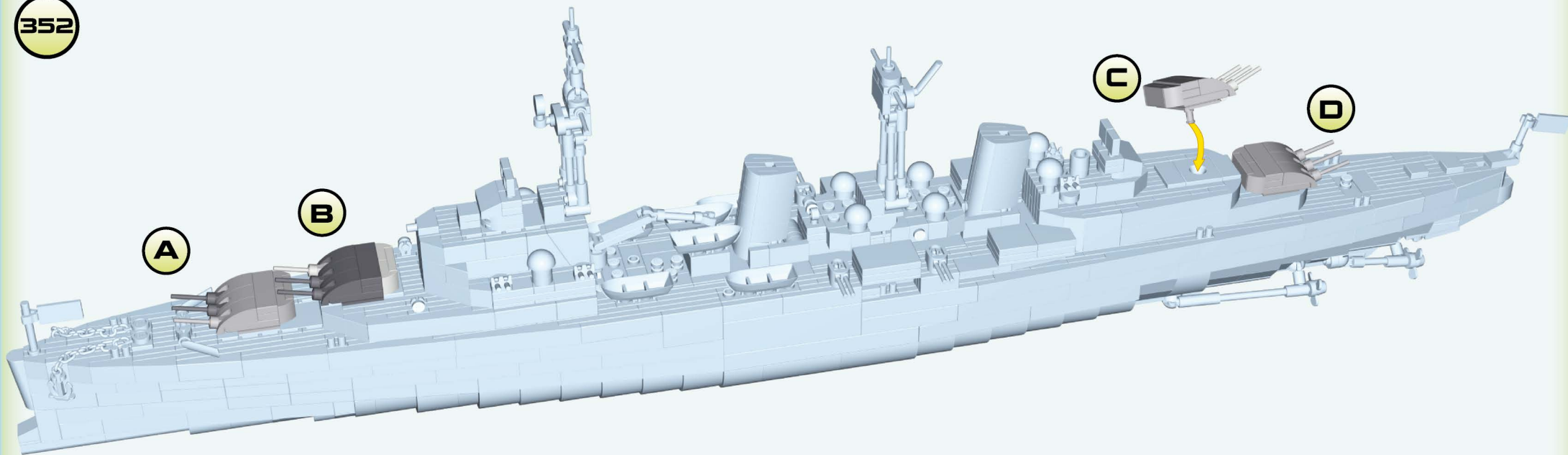
352

A

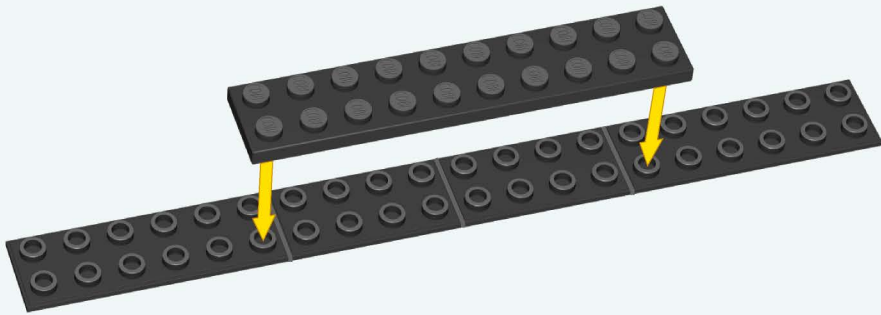
B

C

D



353



x2

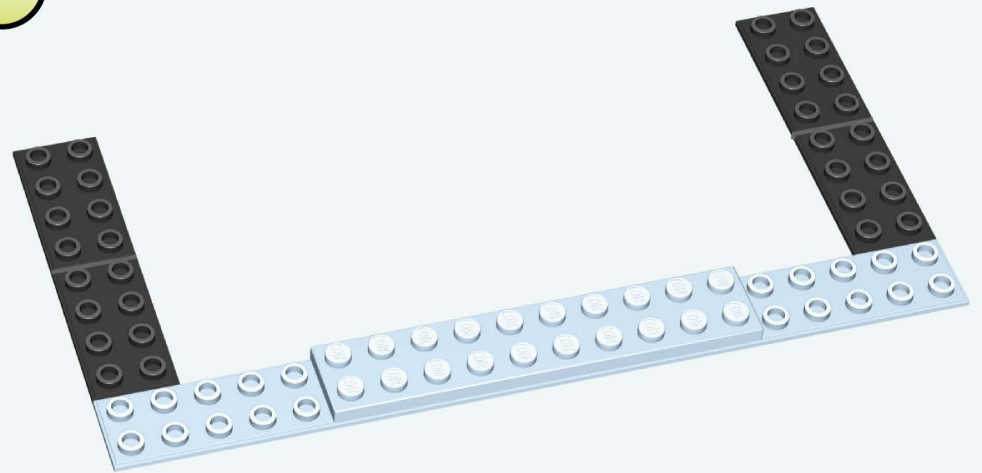


x2



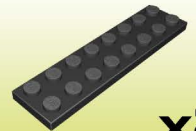
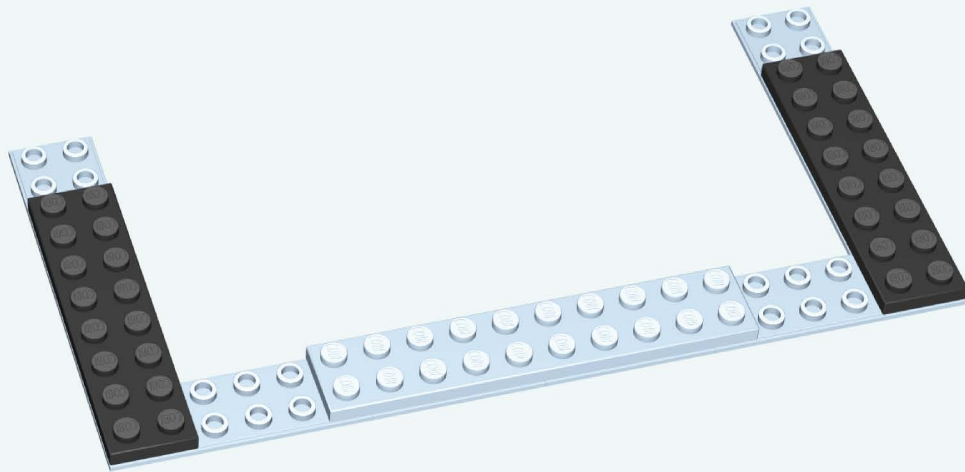
x1

354



x4

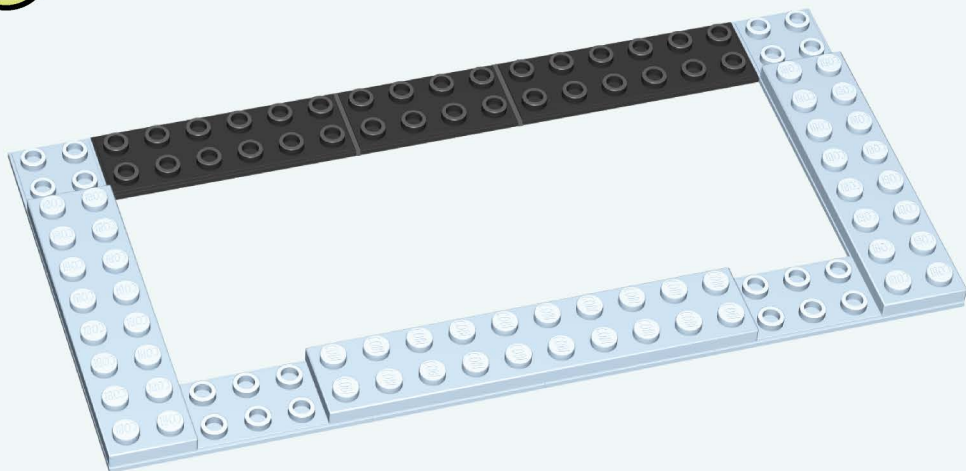
355



x2



356

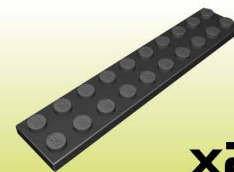
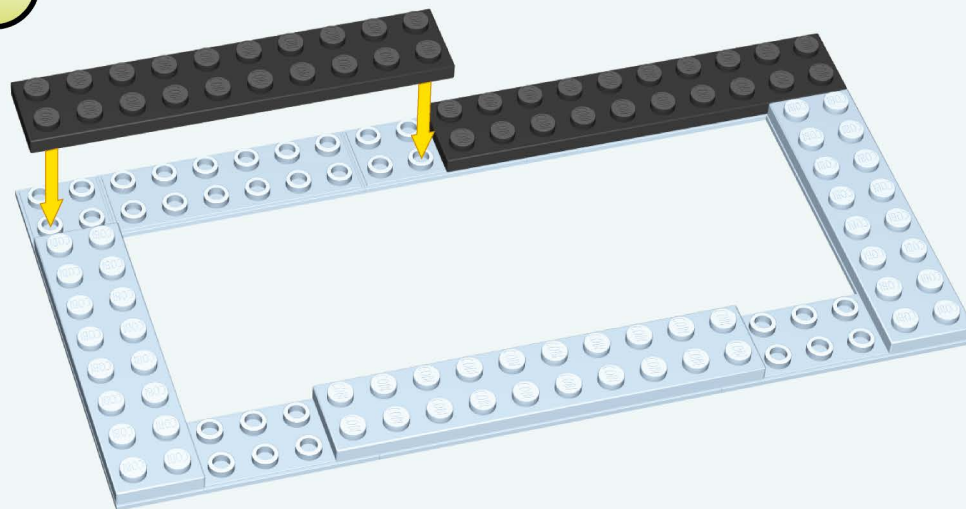


x2



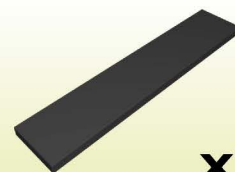
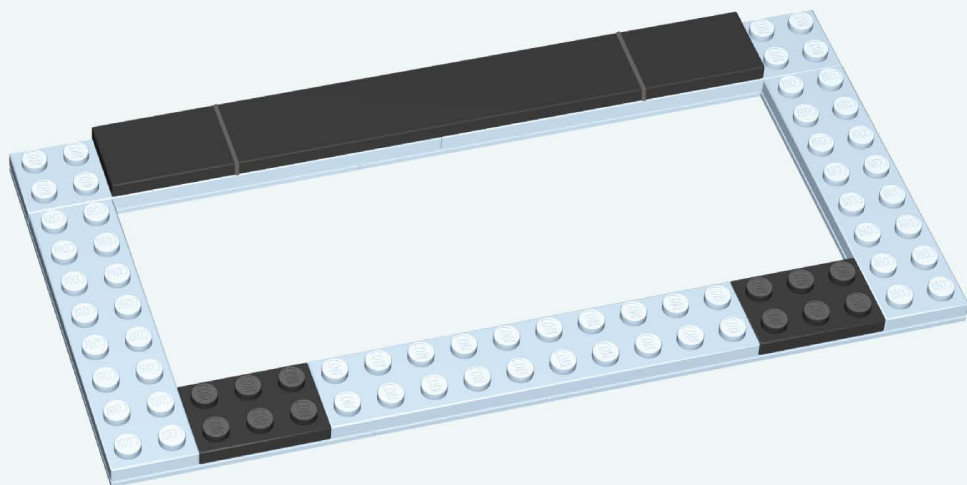
x1

357



x2

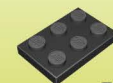
358



x1

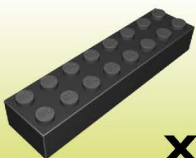
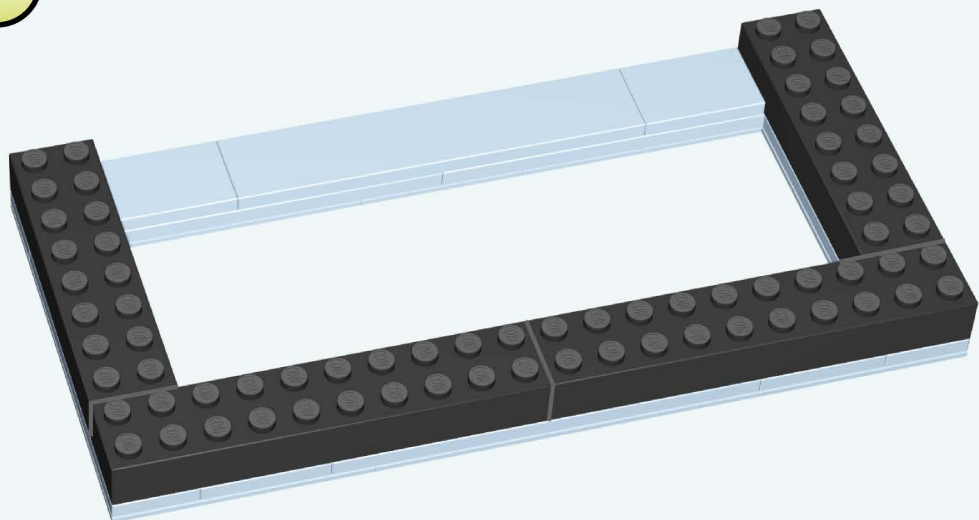


x2

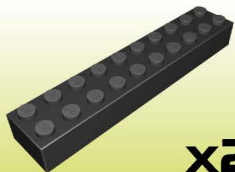


x2

359

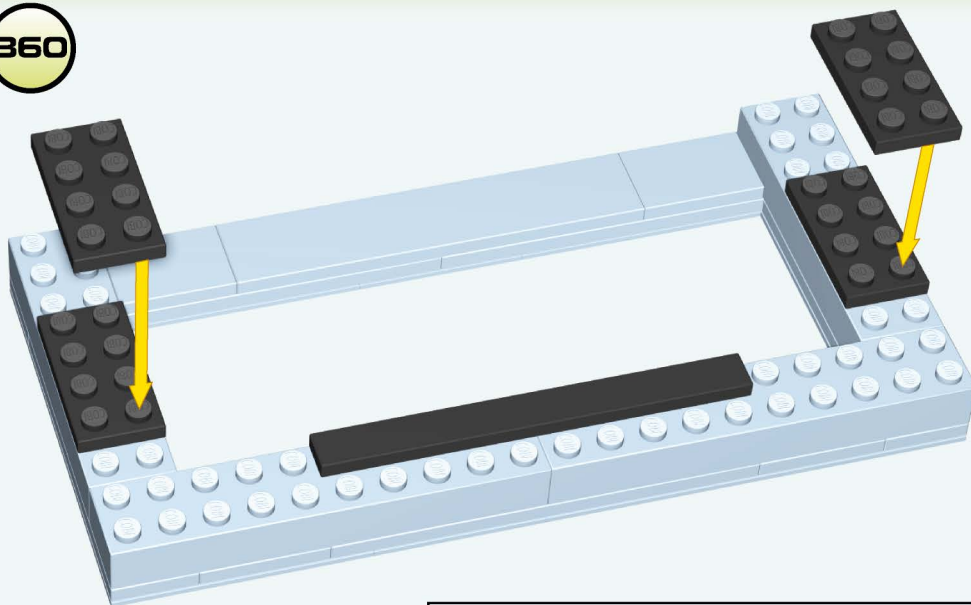


x2

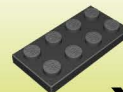


x2

360



1:1

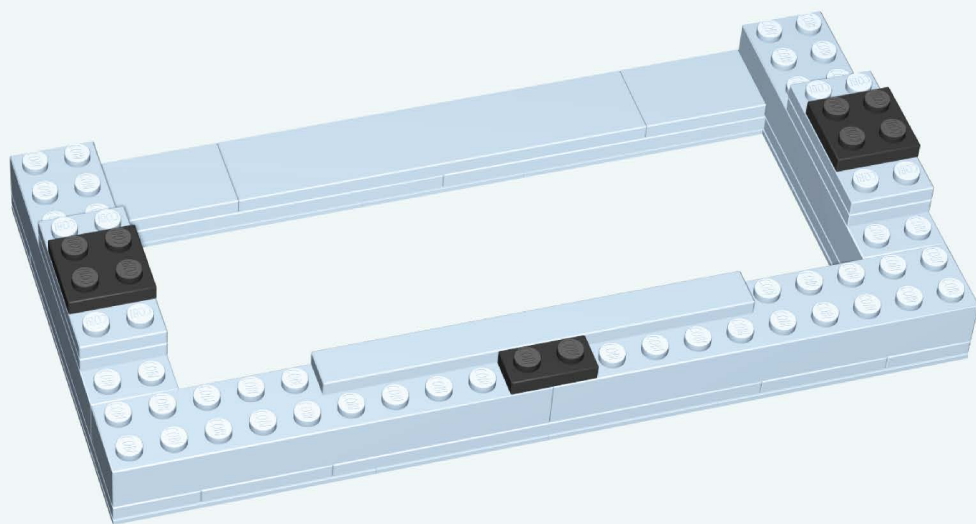


x4



x1

361

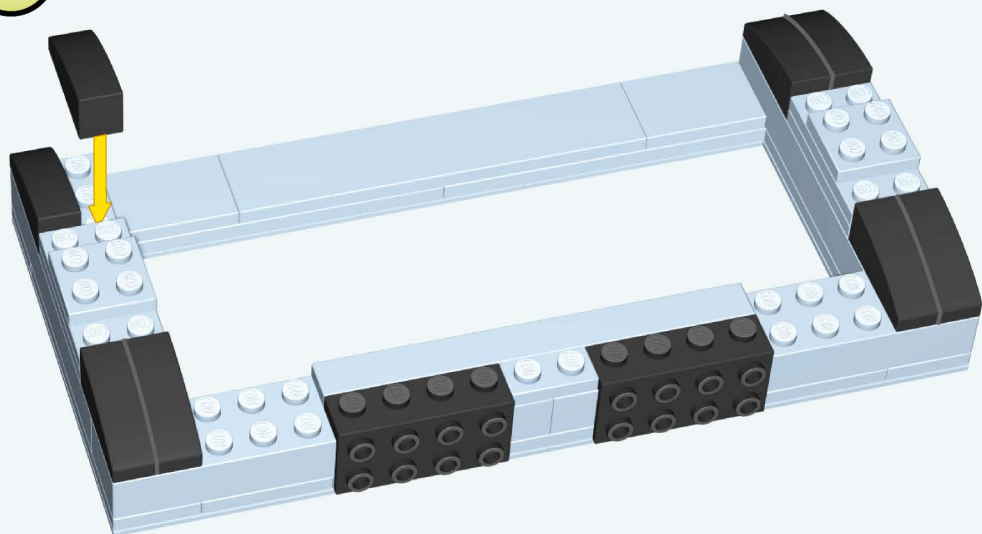


x2



x1

362

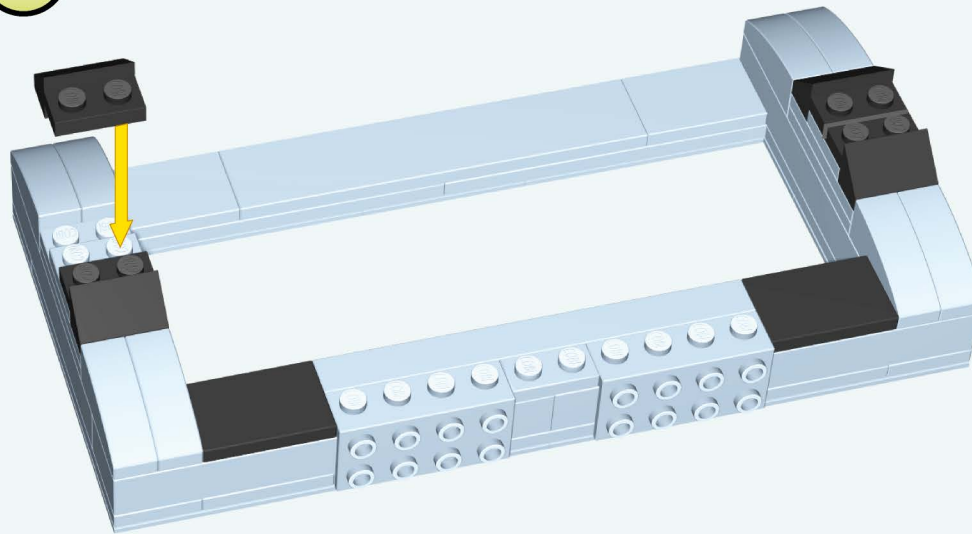


x8



x2

363

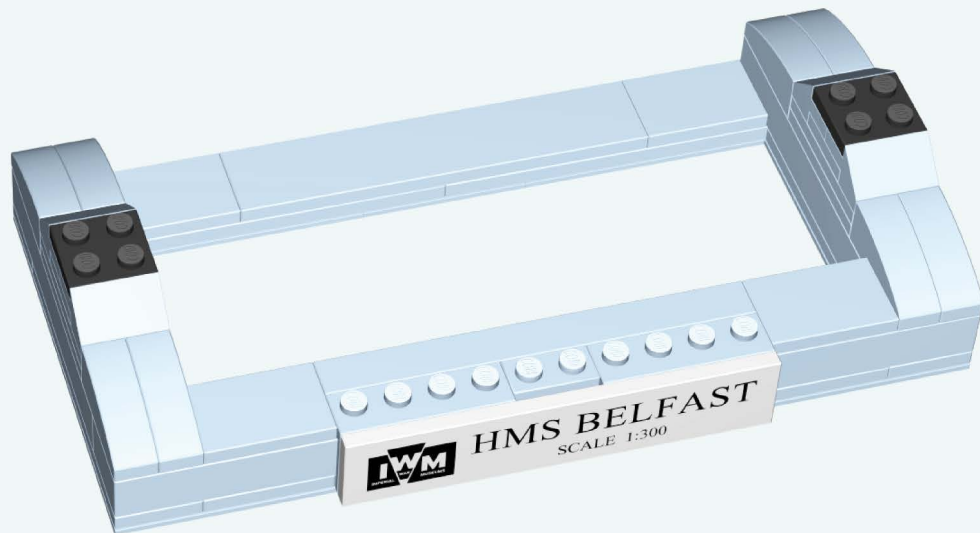


x4



x2

364



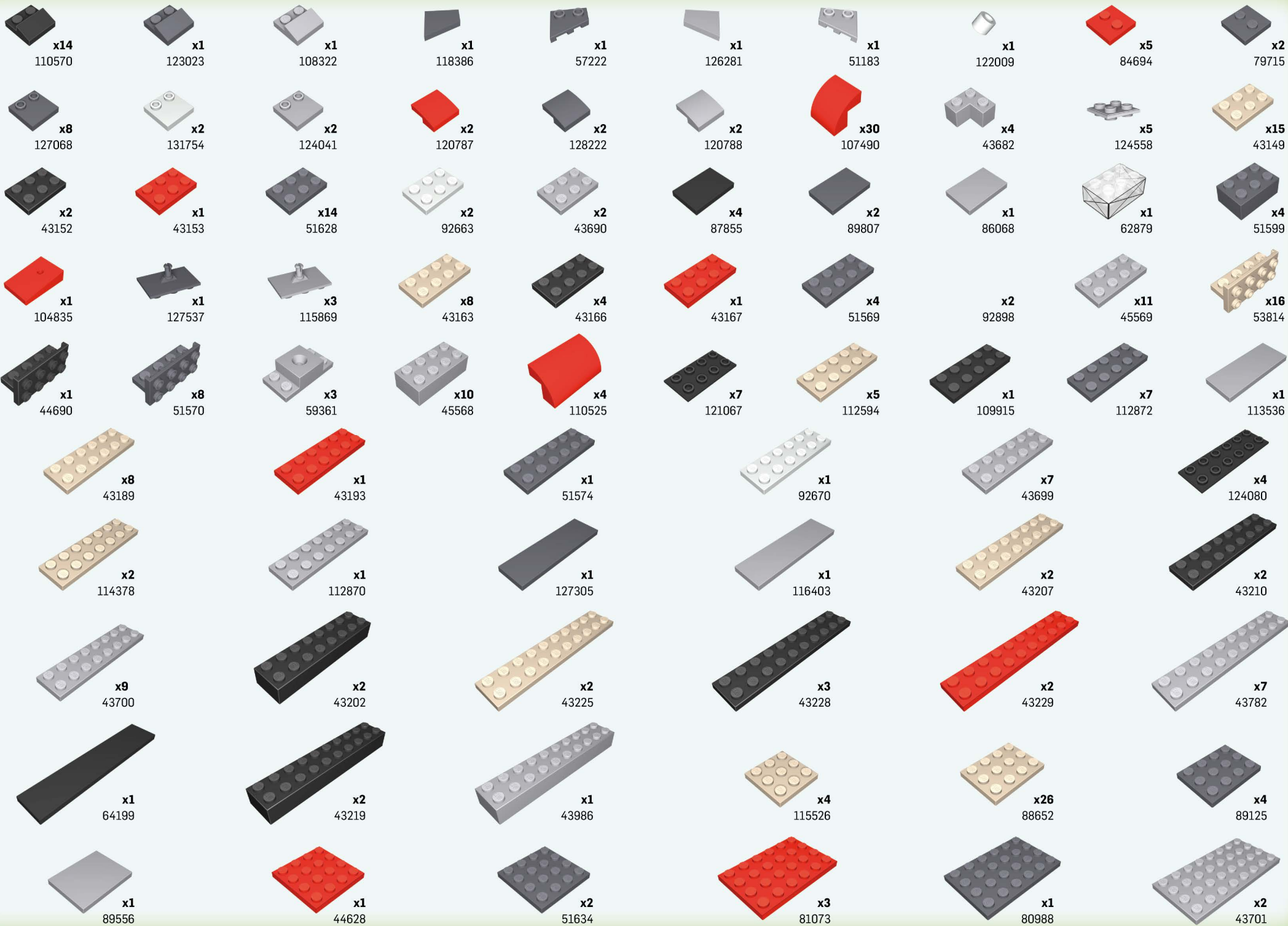
x2



x1

 <b>x4</b> 138083	 <b>x2</b> 140810	 <b>x2</b> 144263	 <b>x10</b> 138134	 <b>x4</b> 109003	 <b>x2</b> 110556	 <b>x2</b> 110407	 <b>x2</b> 110070	 <b>x4</b> 44497	 <b>x6</b> 43970	 <b>x3</b> 54631
 <b>x2</b> 92879	 <b>x2</b> 43971	 <b>x1</b> 53329	 <b>x3</b> 93971	 <b>x2</b> 102291	 <b>x2</b> 101911	 <b>x2</b> 114598	 <b>x2</b> 106150	 <b>x1</b> 104129	 <b>x9</b> 105325	 <b>x2</b> 93346
 <b>x2</b> 107017	 <b>x1</b> 144331	 <b>x4</b> 106151	 <b>x1</b> 151498	 <b>x2</b> 127065	 <b>x5</b> 131753	 <b>x4</b> 117896	 <b>x4</b> 112792	 <b>x2</b> 107100	 <b>x1</b> 110007	 <b>x4</b> 125643
 <b>x1</b> 118637	 <b>x1</b> 115864	 <b>x4</b> 127156	 <b>x1</b> 126907	 <b>x14</b> 124064	 <b>x2</b> 42878	 <b>x2</b> 42881	 <b>x7</b> 52994	 <b>x1</b> 92880	 <b>x5</b> 43668	 <b>x1</b> 139898
 <b>x2</b> 116284	 <b>x2</b> 53330	 <b>x2</b> 90513	 <b>x4</b> 110977	 <b>x2</b> 112866	 <b>x9</b> 112794	 <b>x1</b> 124565	 <b>x3</b> 110411	 <b>x2</b> 101667	 <b>x2</b> 103168	 <b>x4</b> 101559
 <b>x3</b> 110967	 <b>x3</b> 99246	 <b>x1</b> 88629	 <b>x5</b> 85912	 <b>x1</b> 104713	 <b>x2</b> 110515	 <b>x1</b> 131752	 <b>x22</b> 42926	 <b>x1</b> 42929	 <b>x7</b> 42930	 <b>x9</b> 51554
 <b>x4</b> 92647	 <b>x33</b> 43671	 <b>x4</b> 42908	 <b>x5</b> 42912	 <b>x2</b> 57219	 <b>x2</b> 99325	 <b>x1</b> 43922	 <b>x14</b> 100677	 <b>x2</b> 150746	 <b>x2</b> 148828	 <b>x7</b> 51555
 <b>x2</b> 105329	 <b>x1</b> 131776	 <b>x2</b> 104562	 <b>x8</b> 104332	 <b>x16</b> 124684	 <b>x2</b> 150125	 <b>x2</b> 131774	 <b>x2</b> 124066	 <b>x5</b> 45525	 <b>x3</b> 45157	 <b>x10</b> 51590
 <b>x3</b> 92882	 <b>x5</b> 45448	 <b>x1</b> 85914	 <b>x2</b> 104836	 <b>x2</b> 100723	 <b>x4</b> 100922	 <b>x2</b> 125069	 <b>x2</b> 131775	 <b>x2</b> 147699	 <b>x2</b> 131779	 <b>x2</b> 131780
 <b>x4</b> 131751	 <b>x1</b> 131771	 <b>x1</b> 96518	 <b>x2</b> 42947	 <b>x1</b> 42951	 <b>x1</b> 51591	 <b>x10</b> 111106	 <b>x2</b> 118291	 <b>x3</b> 105814	 <b>x4</b> 131772	 <b>x2</b> 129464
 <b>x2</b> 125262	 <b>x2</b> 127905	 <b>x13</b> 43834	 <b>x1</b> 105910	 <b>x1</b> 42904	 <b>x4</b> 115114	 <b>x6</b> 112869	 <b>x3</b> 111108	 <b>x9</b> 108319	 <b>x4</b> 99931	 <b>x4</b> 117783





x33 93960	x4 92463	x2 120018	x6 123425	x4 125657	x8 117789	x3 121896	x2 131773	x1 125658	x2 124060	x6 115110
x6 105564	x4 101104	x4 104431	x4 100138	x11 99110	x8 97612	x2 120020	x1 131692	x1 129969	x1 131778	x1 125662
x1 125663	x2 129542	x8 125664	x14 125665	x4 106332	x1 120022	x1 58332	x2 98143	x1 129543	x2 105446	x2 126293
x8 110172	x1 100099	x2 104831	x5 85817	x4 96520	x1 95956	x2 104832	x6 110698	x4 106158	x2 43578	x14 51647
x8 45471	x2 45602	x10 56010	x2 94081	x8 45446	x2 43978	x8 102750	x1 57446	x1 44914	x1 107080	x3 144083
x2 152365	x2 152351	x2 147091	x4 152354	x4 152353	x4 152352	x2 138579	x1 95955	x1 139948	x1 87348	x3 87992
x1 137671	x1 88236	x2 85234	x1 127091	x3 124112	x2 124063	x2 110634	x1 149340	x2 152355	x3 129447	x1 85190
x1 131693	x1 131694	x1 151506	x1 151506	x1 151506	x1 151507	x1 151507	x1 151507	x1 151507	x1 151507	x1 151503
x1 151499	x1 151500	x1 131676	x1 131675	x1 131677	x1 131678	x1 112616	x1 131679	x1 131679	x1 131680	x1 131680
x1 131681	x1 131682	x1 131683	x1 131684	x1 131685	x1 131687	x1 131688	x1 131690	x1 131690	x1 131689	x1 131689
x1 131691	x1 131686	x1 151504								



# HISTORICAL COLLECTION



USS ARIZONA (BB-39)



BATTLESHIP GNEISENAU



For news and special deals

WWW.COBI.EU

00-04844/II-1516

Find us on:  
f cobr.bricks  
cobi.klocki  
COBI SA