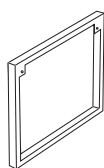
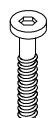


Ax1



Bx2



Cx4



Dx8



Ex4



Fx4



Gx4

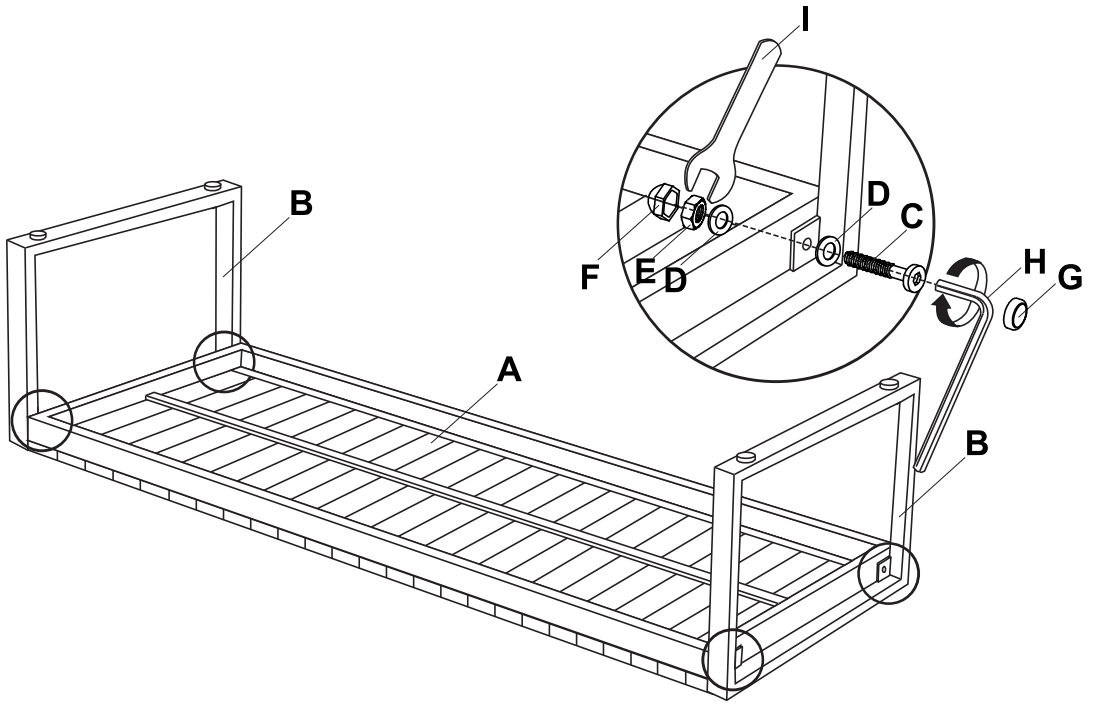


Hx1



Ix1

1



2

