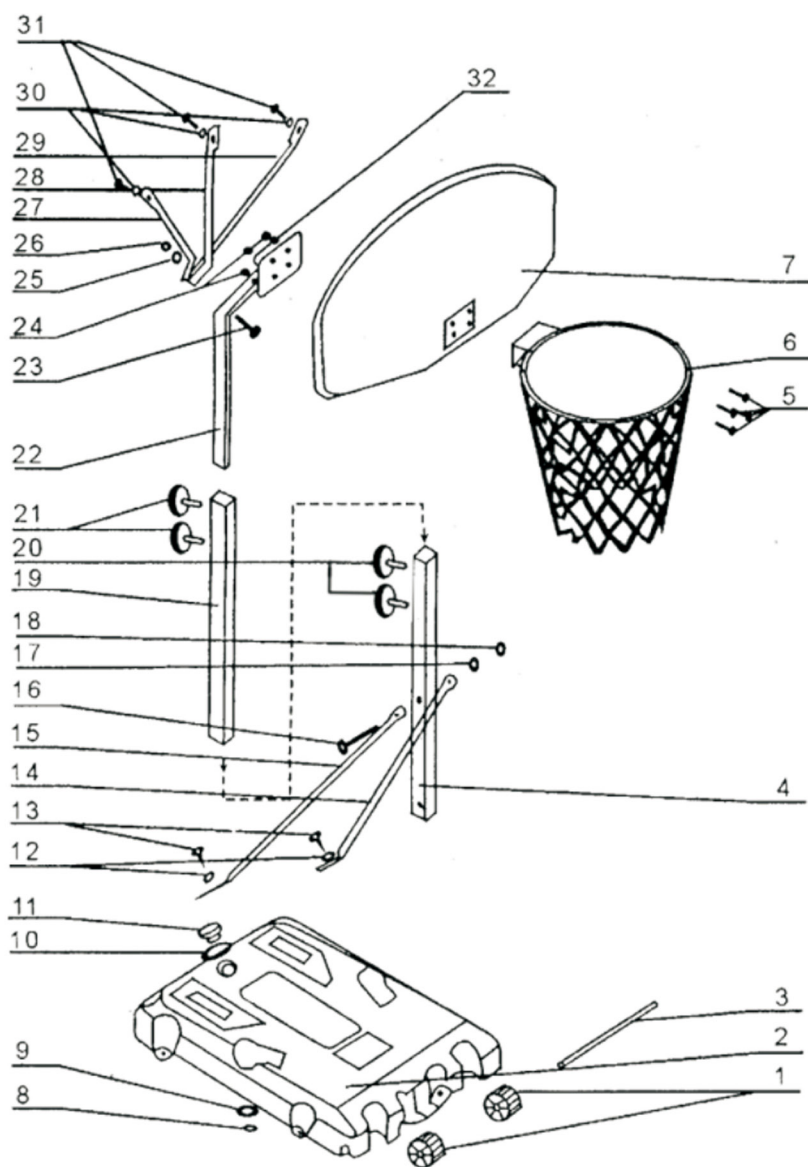


# PORTBLE BASKETBALL SYSTEM

ASSEMBLY AND OPERATION INSTRUCTION





1. wheel
2. base
3. wheel shaft
4. outer tube
5. screw
6. rim
7. backboard
8. nut
9. washer
10. washer
11. lid
12. washer
13. screw
14. support brace
15. support brace
16. screw
17. washer
18. nut
19. middle tu
20. fix screw
21. fix screw
22. top tube
23. screw
24. nut
25. washer
26. nut
27. backboard brace
28. backboard brace
29. backboard brace
30. washer
31. screw
32. washer

# ASSEMBLY STEPS

## 1.Assembly of base and outer tube:

Insert the wheel shaft(3) into the front holes of the base(2), also insert the left wheel, outer tube(4) and right wheel in turn. Fix one end of the 2 support braces(14)(15) on the base by screw(13), washer(9)(12) and nut(8). Then fix another end of the 2 support braces on the outer tube(4) by screw (16), washer(17), nut(18).

## 2.Assembly of the rim, backboard and top tube:

Assemble the rim(6), backboard(7) and top tube(22) by screw(5), nut (24), washer (32).

## 3.Assembly of backboard braces

Fix the backboard braces (27)(28)(29) on the top tube (22) by screw (23)(31), washer(25)(30) and nut (26).

## 4.Assembly of middle tube and outer tube

Insert the middle tube (19) into the outer tube (4), use fix screw (20) to lock them.

## 5.Assembly of middle tube and top tube

Insert the top tube (22) into the middle tube (19). The height is adjustable as per requirement. Lock the tubes by the fix screw (21).

## 6.Filling the base with water, seal the filling hole by washer (10) and plastic lid (11).

# IMPORTANT SAFETY INSTRUCTION

Those who assemble and use the system must read, understand and comply with all the followings, and the owner must make sure that all the players understand and follow all the rules:

1: Before assembling, the person who assemble the system must read the use and assemble instruction carefully and check all the parts in the carton to make sure they accord with the part list.

2: Before placing the basketball system, firstly people should choose the playing ground, the surface beneath the base should be horizontal. And the system should not be used until the base is fully filled with water or sand.

3: Before using, people should check the system for the stability of the base, the surface beneath the base should be smooth and free of gravel or other sharp objects which could cause the base leaking and losing the reliable stability. Keep organic materials away from the base.

4: People should not push or drag the base on the ground to avoid any damage to the non-metal base.

5: This system is not designed for formal match/compete. Dunk-type activities on the unit are not allowed. Do not wear jewels (rings, watches, necklace, etc) while using the system. Serious personal injury may occur or the system may fall down if jewelry is caught on the rim or net.

6: Do not use the unit during windy and/or severe weather conditions or the unit may tip over. Adjust the system to the lowest height or place the unit in a storage position.

7: Climbing the pole and carving the base are strictly prohibited.

8: The system must be removed and assembled only by adults who can safely handle the weight, children are not allowed to do so forever.

9: In order to prevent the base from being damaged when the water in the base become into ice, please make sure to empty the base and fill the base with 90kg sand when the temperature is under  $-0^{\circ}\text{C}$ .

10: Check the system often against loose and damaged parts. If any problems found, prompt precautions should be taken into action.