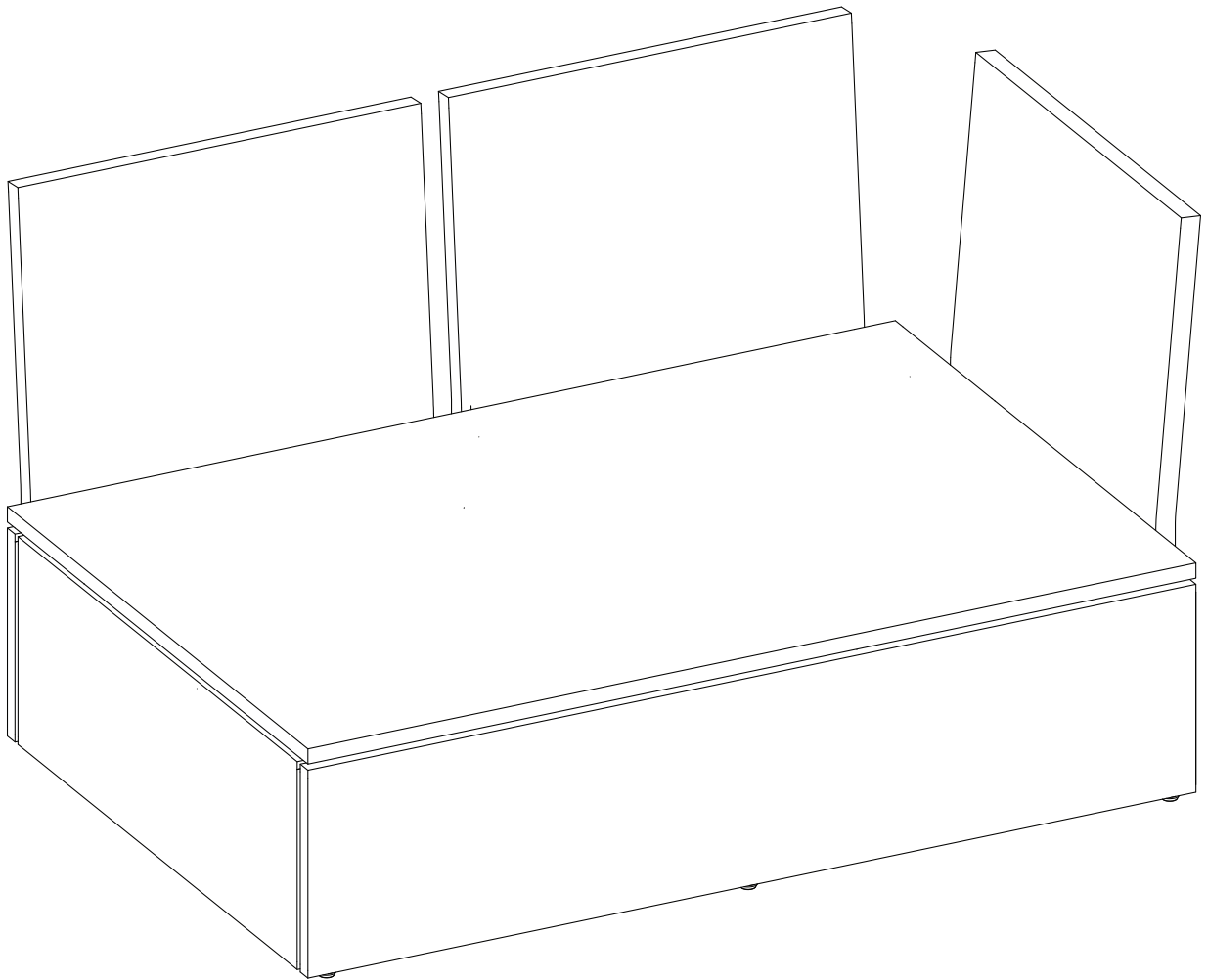
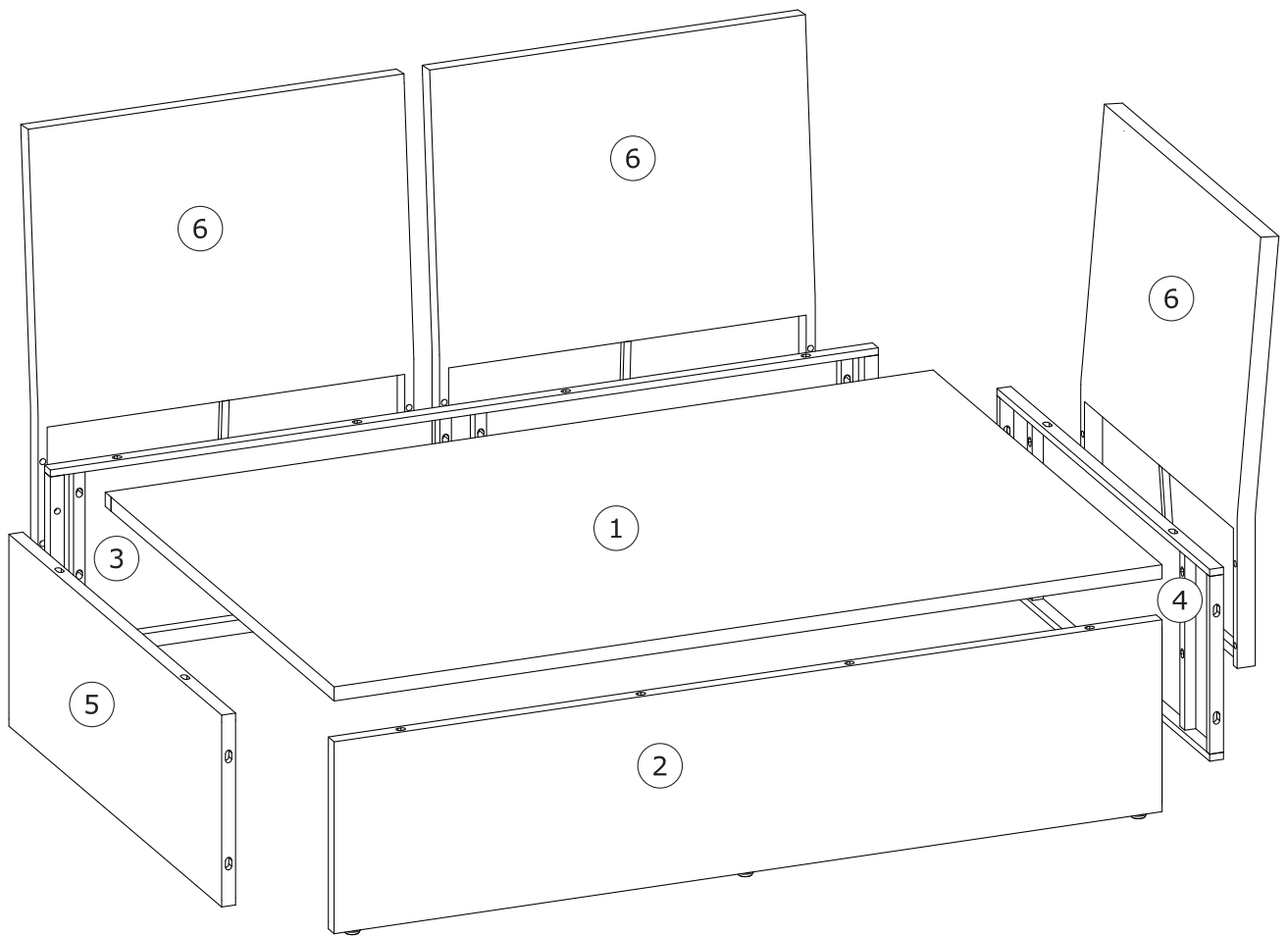
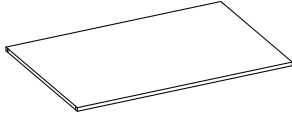
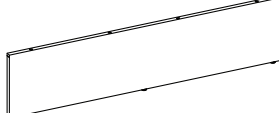
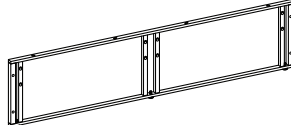
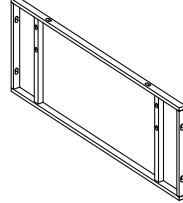
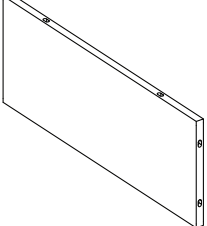
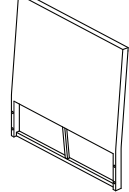
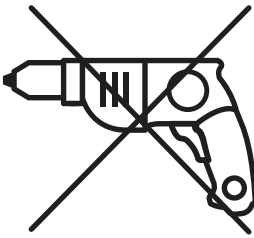


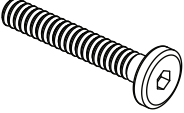
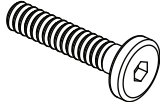
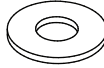

# ARIZONA PALLETBENCH



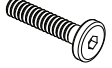




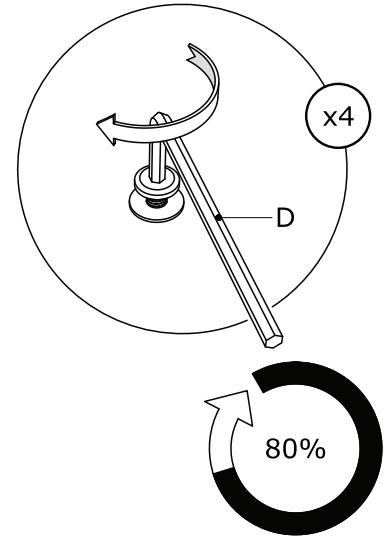
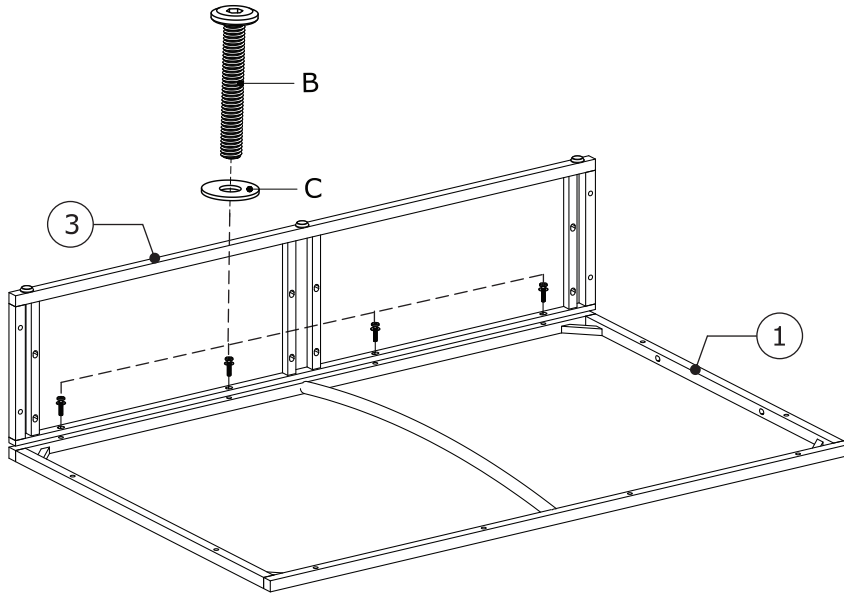
① x 1	② x 1	③ x 1	④ x 1
			
⑤ x 1	⑥ x 3		
			






A x 12	B x 20	C x 32	D x 2
			
M6x40 mm	M6x30 mm	Ø6/Ø16 mm	4 mm

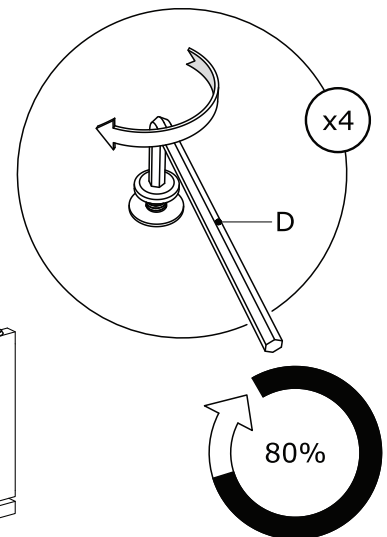
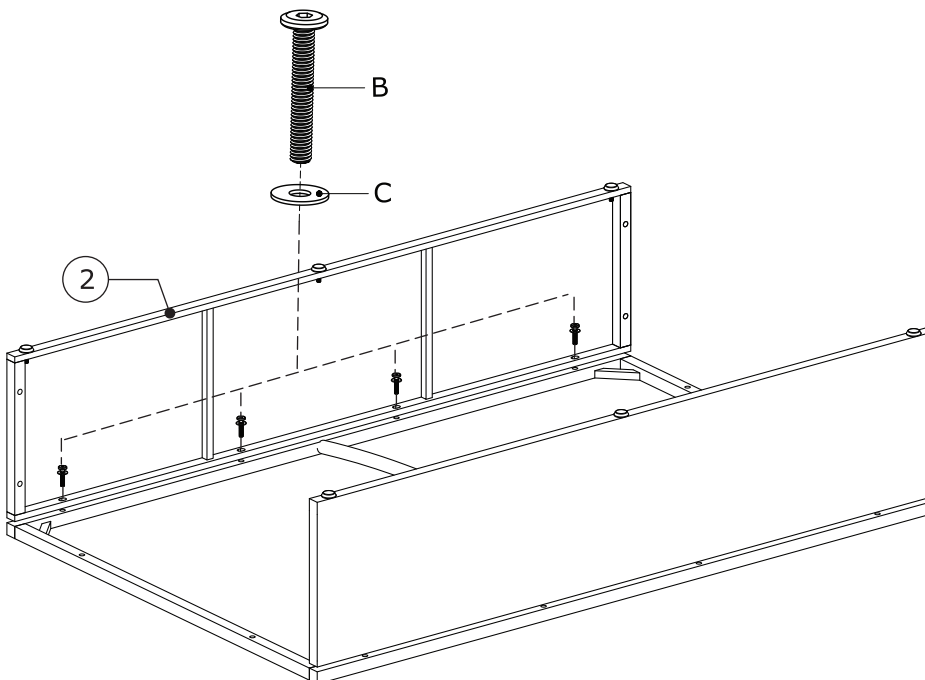
1

B x 4  M6x30 mm	C x 4  Ø6/Ø16 mm	D x 1  4 mm	
--	---	--	--

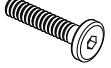




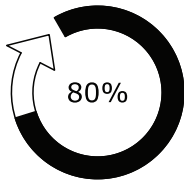
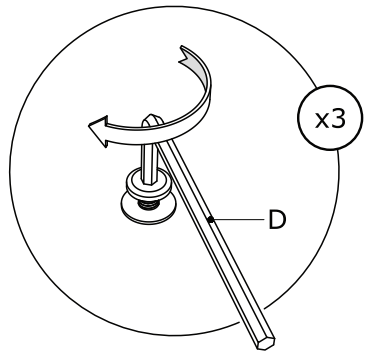
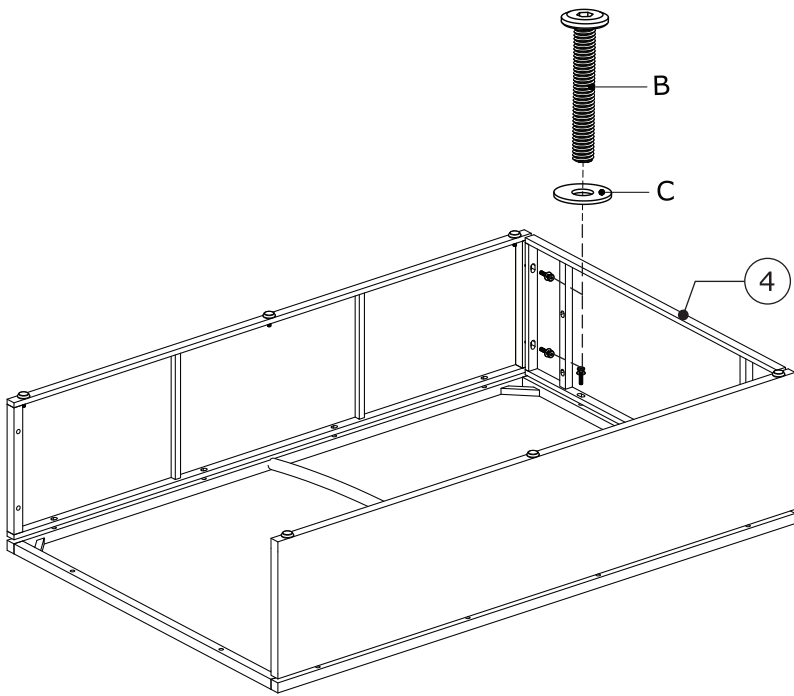
2

B x 4  M6x30 mm	C x 4  Ø6/Ø16 mm	D x 1  4 mm	
--	---	--	--






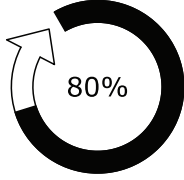
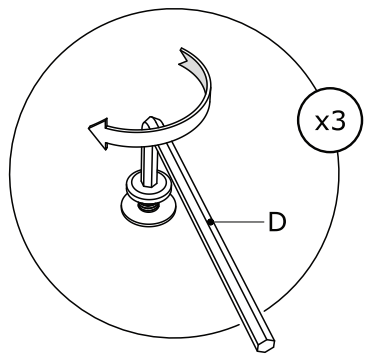
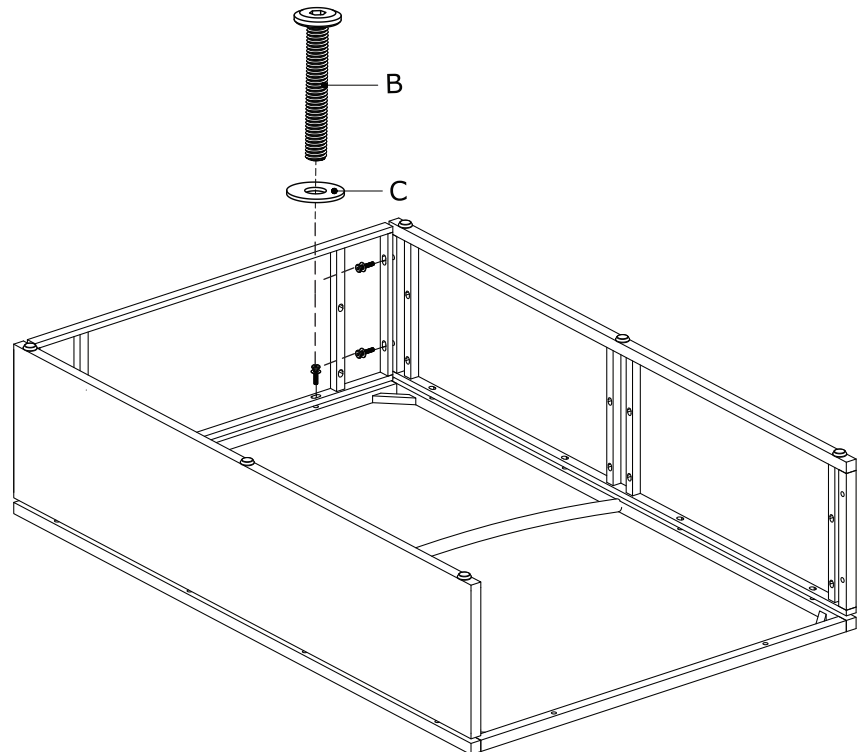
3

B x 3  M6x30 mm	C x 3  Ø6/Ø16 mm	D x 1  4 mm	
--	---	--	--

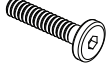




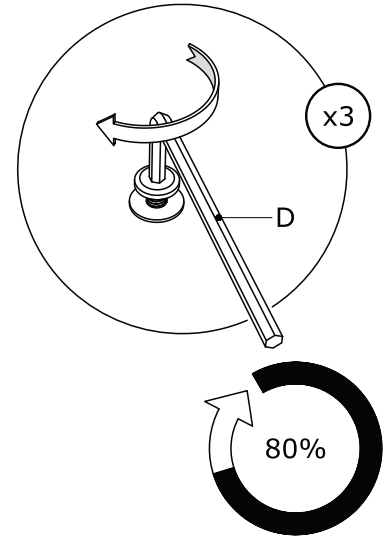
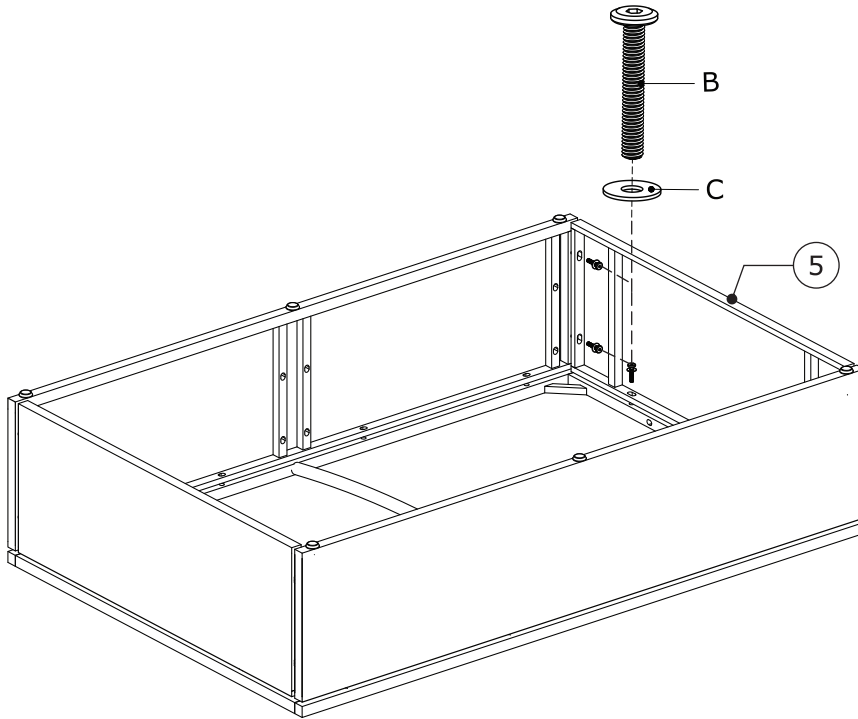
4

B x 3  M6x30 mm	C x 3  Ø6/Ø16 mm	D x 1  4 mm	
--	---	--	--






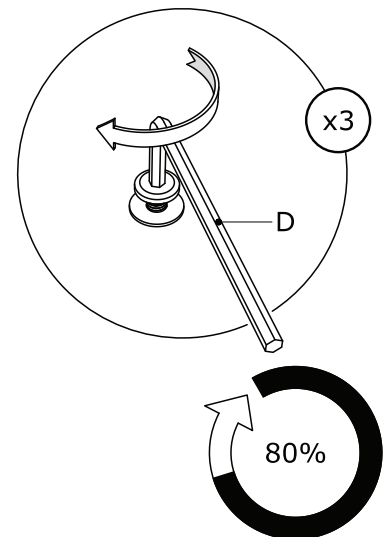
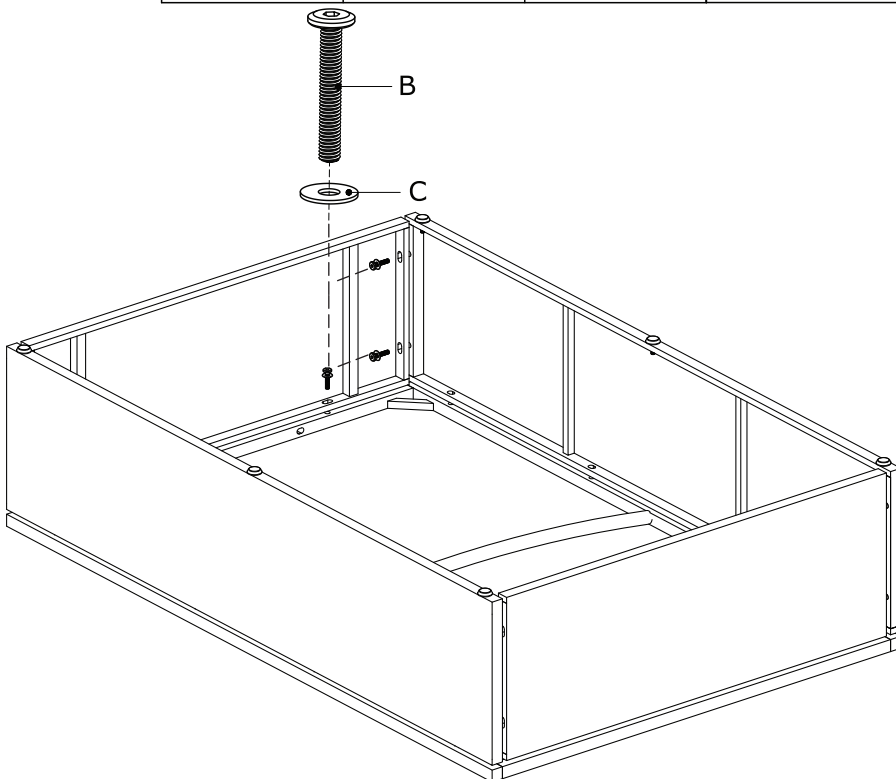
5

B x 3  M6x30 mm	C x 3  Ø6/Ø16 mm	D x 1  4 mm	
--	---	--	--

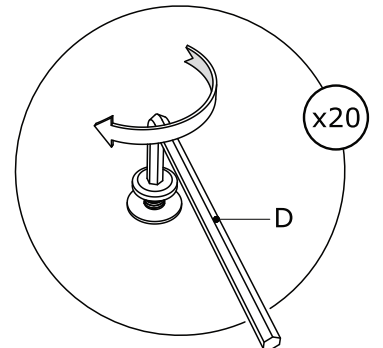
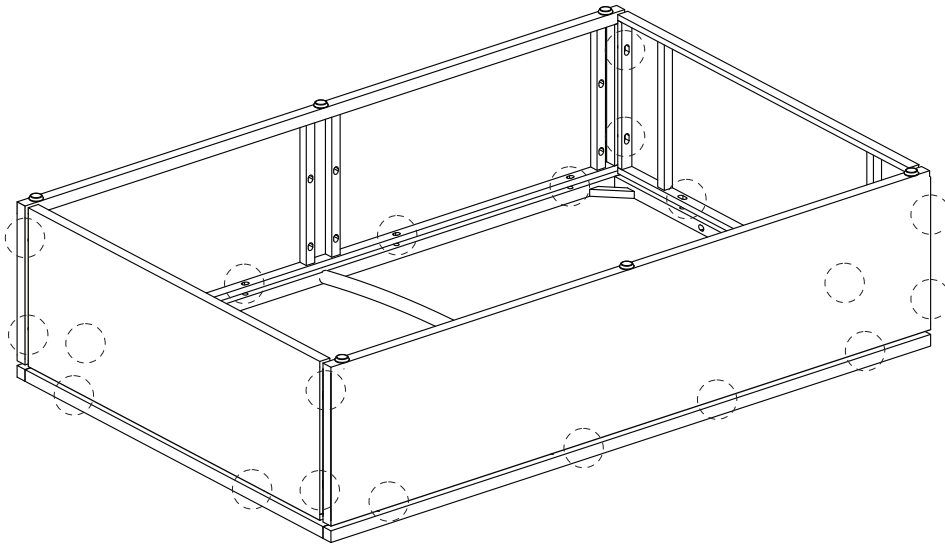
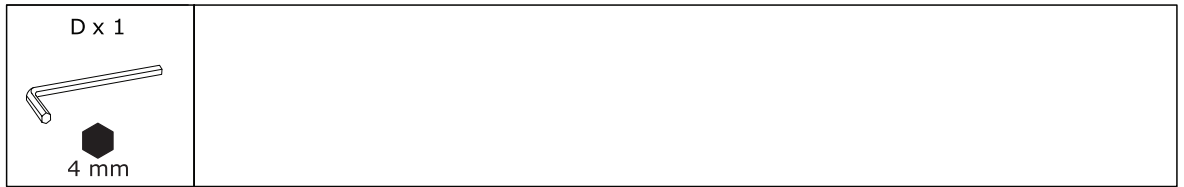


6

B x 3  M6x30 mm	C x 3  Ø6/Ø16 mm	D x 1  4 mm	
--	---	--	--



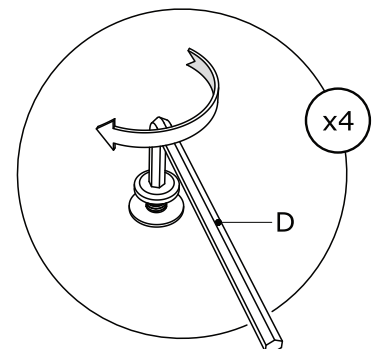
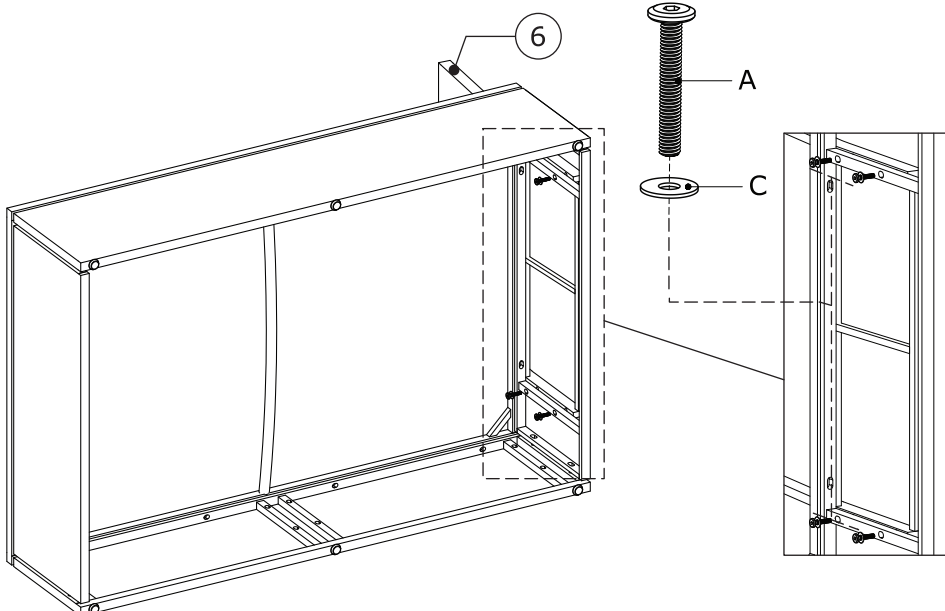
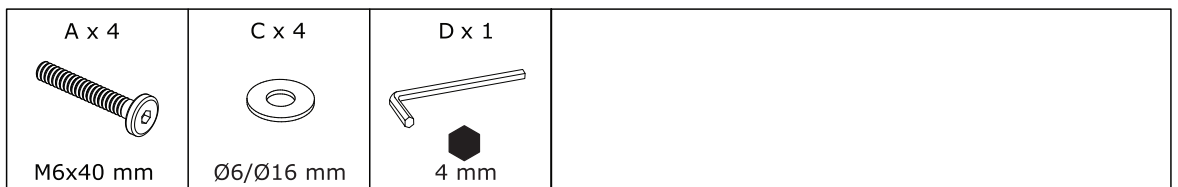
7



x20

100%

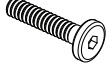


8

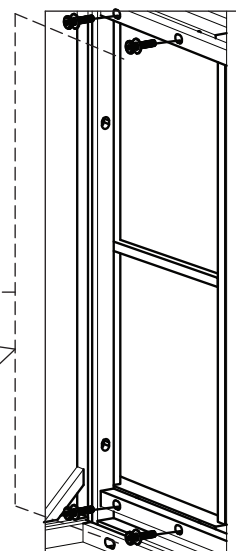
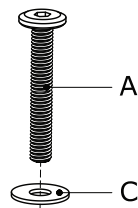
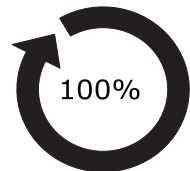
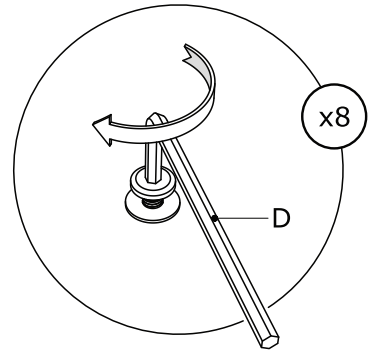
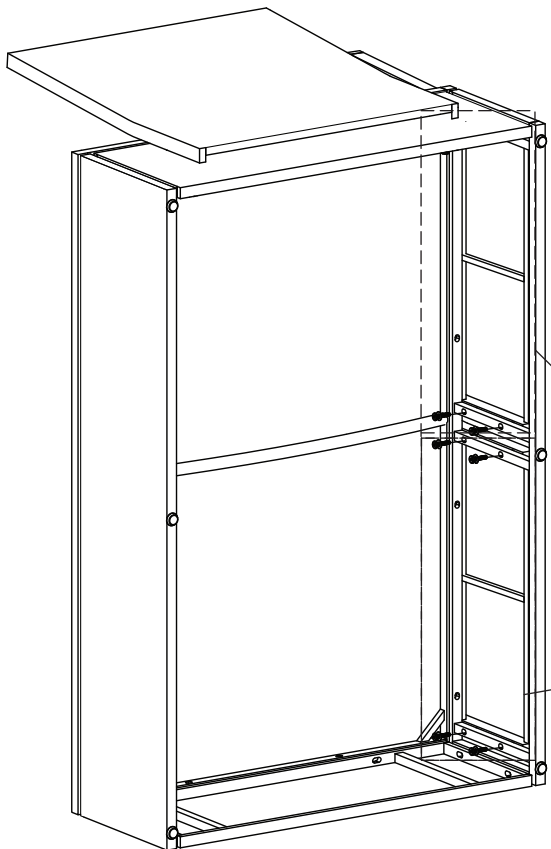
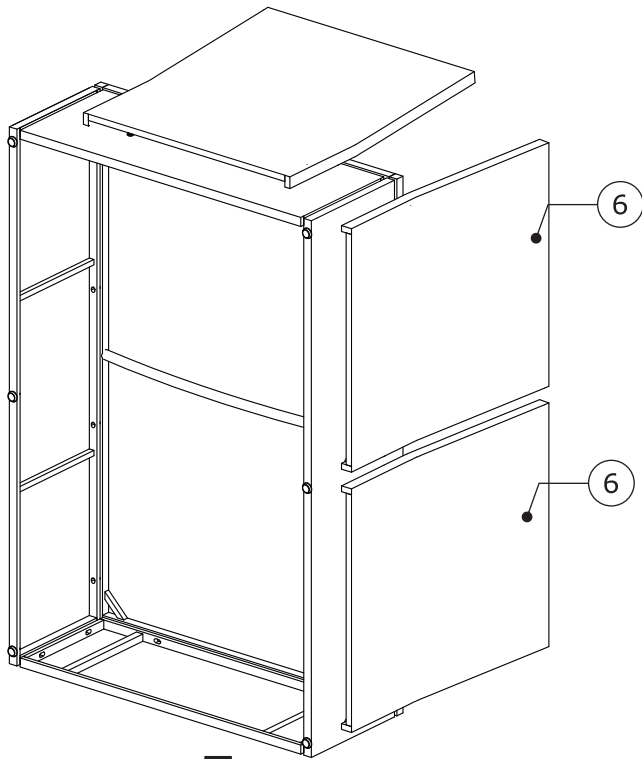


x4

100%

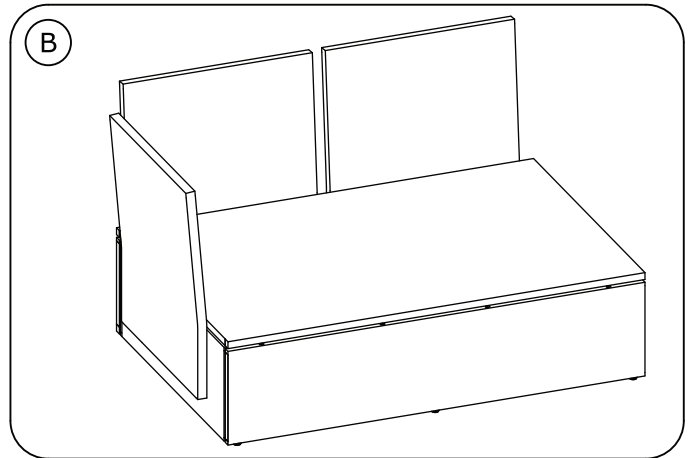
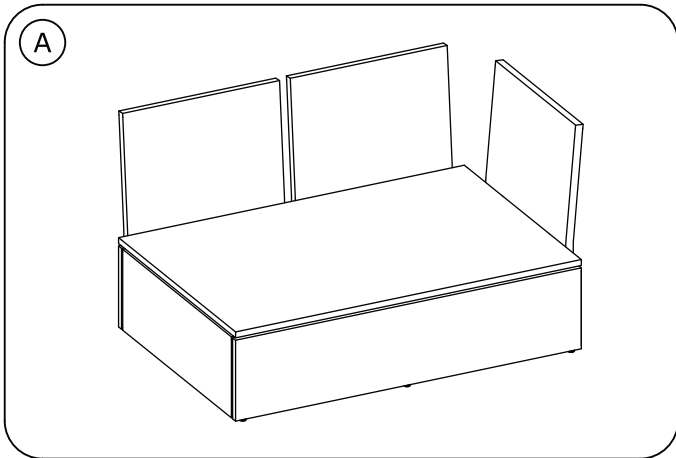
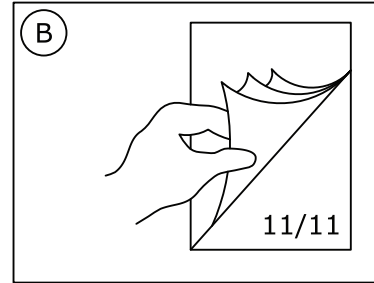
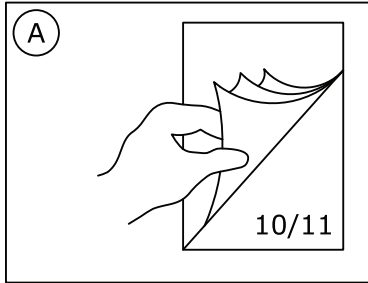
9

A x 8  M6x40 mm	C x 8  Ø6/Ø16 mm	D x 1  4 mm	
--	---	--	--

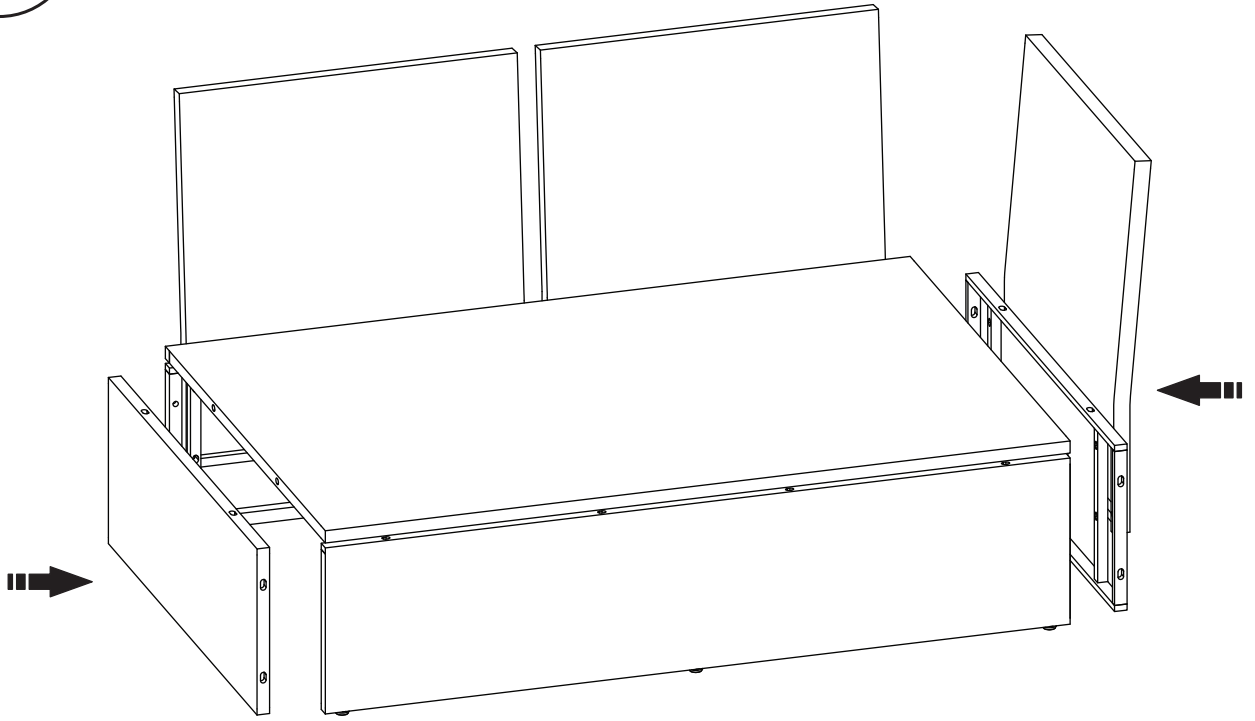




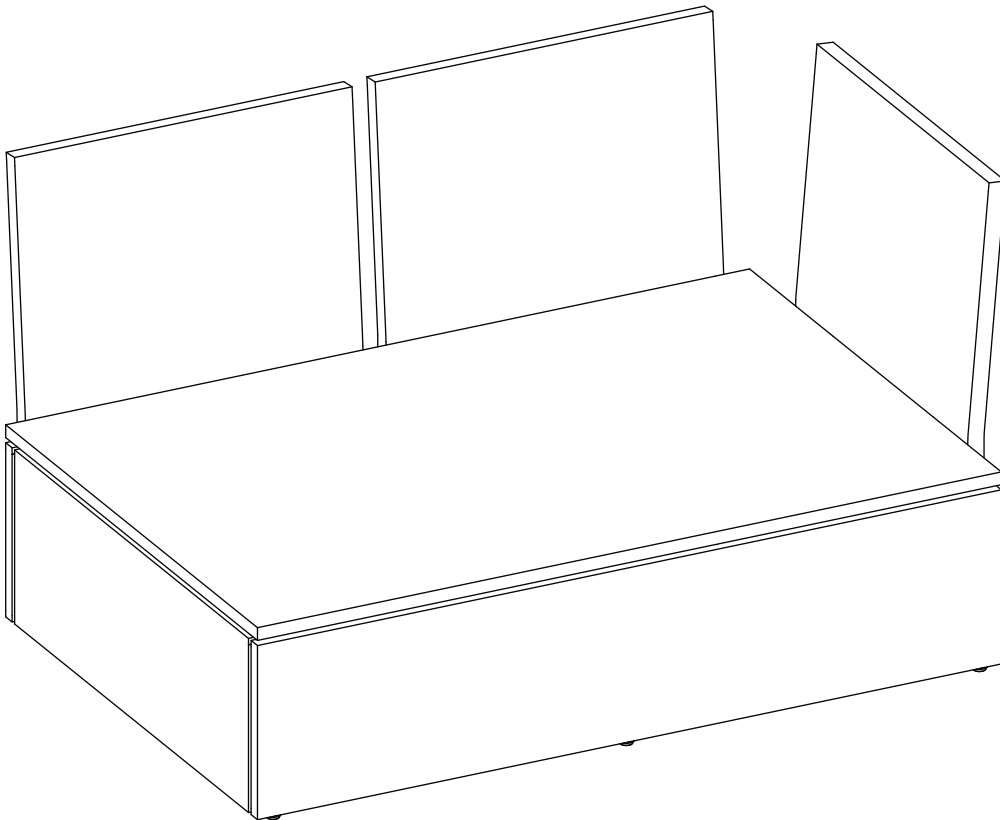
10



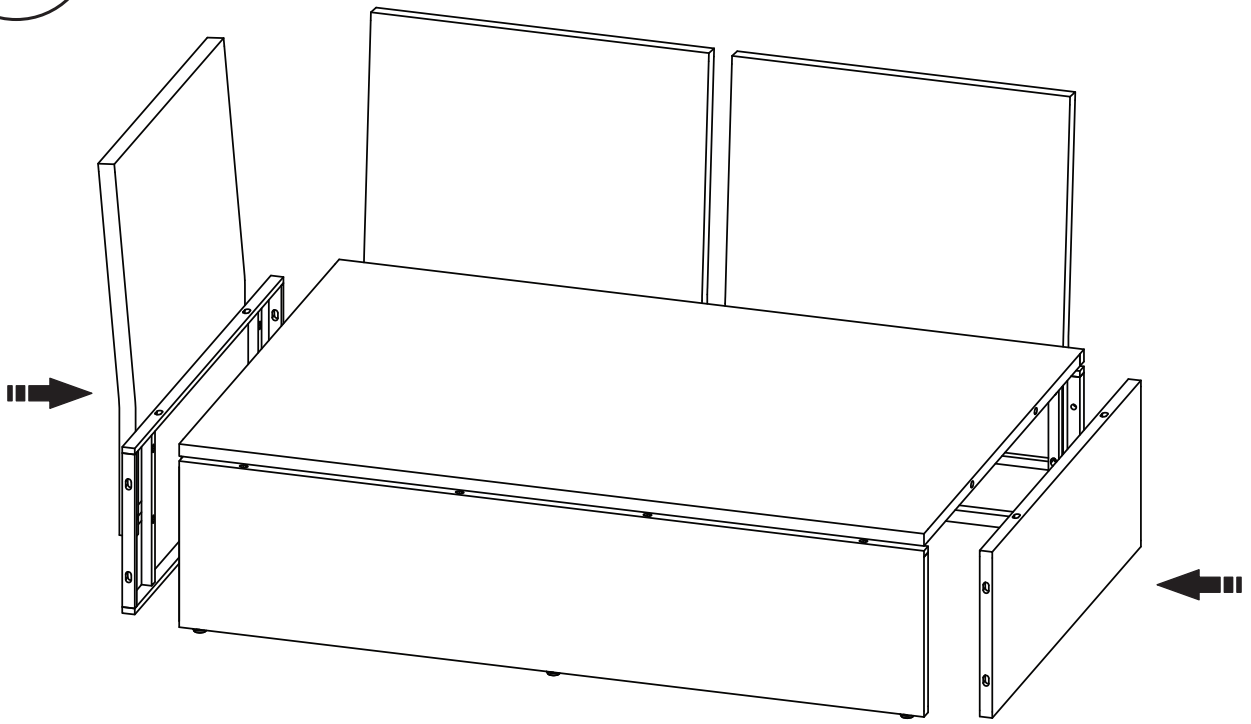
11



12



13



14

