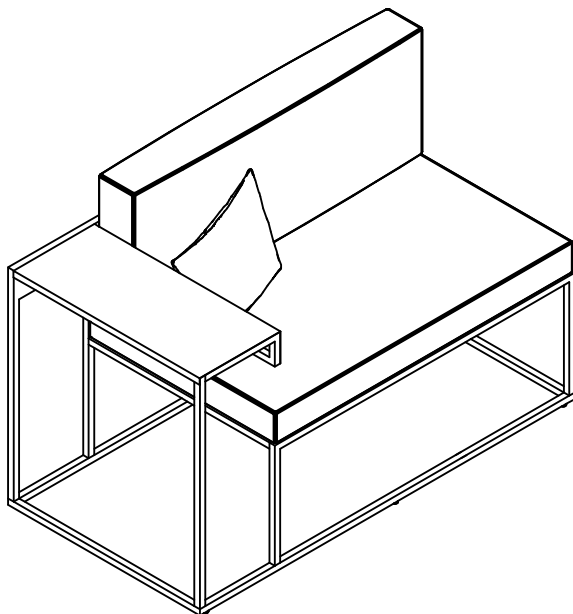


WORK & CHILL BALCONY B06

COATED STEEL / OLEFIN
137x70xH75,5cm



IMPORTANT

KEEP FOR FUTURE
REFERENCE

TO READ CAREFULLY



Domestic use

This furniture is intended for domestic use.

This furniture is to be used only for the purpose for which it is intended. Only proper use and regular maintenance will ensure long-lasting use.



Proper use

This piece of furniture is not designed to support a load, do not sit on its armrests or backrest. It should not be used as stairs or steps.



Warning

Danger of swallowing and choking!

Plastic bags and films are not toys! Make sure that small children do not have access to packaging materials, plastic bags and small components!



Caution

Danger of injury!

Keep small children out of reach of the assembly area and prevent them from lifting or climbing on furniture!



Avoid assembly faults

When unpacking, place all components on a soft surface.

Take care that larger components do not tip over or fall over.



Tips

Please assemble all components first, then securely fasten all screws.



Disposal

Any unused furniture must be disposed of properly.

Contact a recycling centre for waste disposal.

WARNINGS AND INSTRUCTIONS FOR USE

- The article must be assembled by an adult.
 - Do not let your children use the product unsupervised.
 - It is important when unfolding or folding not to place your hands in the parts of the furniture that need to be assembled, opened or closed, as there is a risk of pinching.
 - Check that the locking systems are correctly engaged before each use.
 - This table is not intended to support a parasol. It is necessary to use a parasol stand.
 - If hot objects are to be placed on the surface, the use of a serving tray or work surface is required. Do not use as a promontory.
 - The table tops and extension are not designed to be used as a seating area.
 - Maintain a distance of at least 30 cm between the product and the radiators.
 - Delicate floors
- Install protective tips for furniture legs to prevent scratches and dents on delicate floors.
- Danger of damage!
- New clothes can rub off on the furniture surface, while hinges, nails, buttons, keys and belt buckles can be scratched.
- Never use a high-pressure cleaner on your furniture as this may damage it.
 - Tighten the screws after 1 month of use and check their tightness regularly.
 - Exposed to sunlight the material is likely to change colour but this will stabilise after a few months. This natural phenomenon will not change any of its characteristics, especially its strength. You can slow down this process by maintaining it regularly and/or protecting it.
 - Your product is designed for outdoor use, however, do not subject it to unnecessary weathering and store it in a garage or unheated, well-ventilated room to extend its life. Do not cover your furniture entirely, but with a short tarpaulin to keep it out in the open so that it does not deteriorate.
 - This product has been designed for outdoor use.
- It is recommended to cover or store the product in a clean and dry place away from the weather and winter (store frost-free).
- Do not leave the product in contact with puddles or on wet ground.
 - Do not leave standing water on the product.
 - Do not stand on the product.
 - Beware of sharp objects.
 - Beware of pinching/trapping when folding/unfolding.

MAINTENANCE TIPS FOR MATERIALS

Maintenance

- Dust regularly with a dry cloth.
- Clean with washing-up liquid and wipe with a clean, dry cloth.
- Do not use abrasive products.
- Wipe by doing circular movements.

To avoid the appearance of marks, do not leave any object immobile for more than 2 months. Immediately wipe up spills with a cloth. Then wipe the surface with a clean, dry cloth.

Never allow a layer of moisture to remain on the surface of the product for long periods of time, especially in bright sunlight.

Avoid contact with abrasive materials that may damage the surface.

Do not place the product near a heat source (radiator, fireplace, barbecue, etc.) or a source of moisture. Heat and humidity can damage the products.

CATAPHORETICALLY TREATED AND POWDER-COATED STEEL

Properties:

Cataphoresis is an effective anti-corrosion treatment. The parts are immersed in a soluble paint bath which is then passed through by an electric current that deposits the paint evenly, including edges and hollow parts. Steel garden furniture is particularly vulnerable to oxidation if it is not treated properly. Cataphoresis is a quality treatment that will effectively protect items in most locations, except by the sea.

Maintenance and storage:

A soft cloth or sponge, lukewarm water and a neutral cleaning agent (pH value ~7) are sufficient for removing light contamination. Cleaners outside of this pH range will damage the surface.

Never use:

- scouring or abrasive agents
- cleaners containing solvent
- strongly acidic or alkaline solutions
- steel wool
- gasoline or thinner

Dry cleaning should also be avoided, as this can cause scratches on the surface.

Steel, even if treated, may be subject to corrosion, which must be treated as soon as possible to prevent it from spreading. In this case, apply an anti-rust product.

On a daily basis, regular cleaning with warm water and soap will be sufficient to preserve the furniture. Wipe well with a soft cloth to avoid any traces of limescale.

Steel screws and bolts on garden furniture require regular maintenance to prevent corrosion. Simply apply an anti-rust spray at the beginning and end of the season. If the furniture is exposed to the sea, it should be treated every three months.

Grease and oil adhere very well to steel because of its smooth surface. Specialised cleaners and degreasers can be used to remove them. To avoid staining, never treat steel in direct sunlight. The surface temperature should never exceed 25°C when cleaning.

To avoid permanent stains or discolouration, do not place decorations permanently on the furniture. Any water that may have entered the frame through the screw holes can be drained off by removing the foot caps. To avoid stains on the floor, this should be done on a durable surface. This procedure is particularly recommended against frost, so that water does not freeze in the tubes.

For outdoor storage during winter, we recommend storage in a dry and ventilated area.

OLEFIN FABRIC

Properties:

When it comes to durable fabrics, most people have heard of acrylic and polyester, but have you heard of olefin?

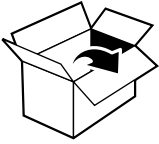
How Olefin is Made:

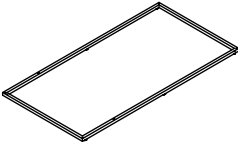
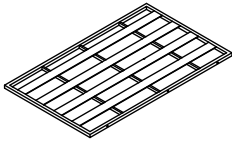
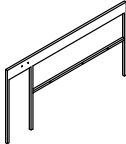
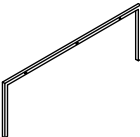
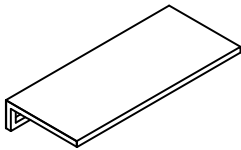
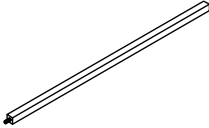
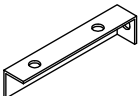
Olefin is a synthetic (man-made) fabric that is derived from ethylene and propylene. It was first developed in Italy in 1957. Olefin is manufactured by melting the chemicals and feeding them through a spinneret (a large shower-head-like device) to form long fibers. Olefin is difficult to dye once it has been formed, so it is usually solution-dyed with the colors being added directly to the polymers before or during melting.






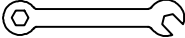

The production of olefin is very environmentally friendly. The production process results in very little by-product, meaning that it creates nearly no waste. Also, the fiber itself is recyclable and can be re-extruded up to 10 times.

Maintenance and storage:

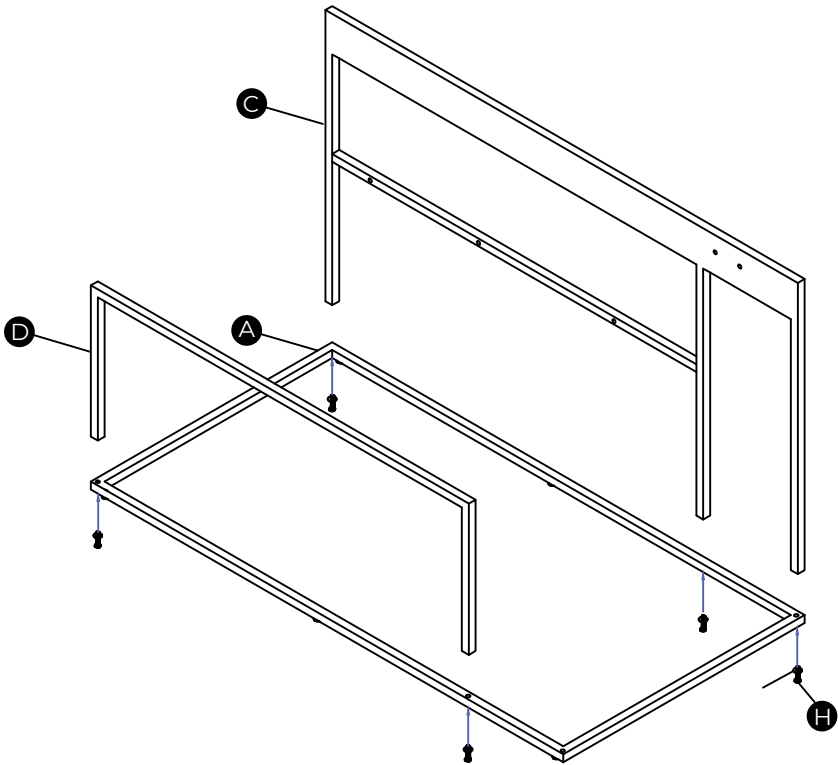
Protect from direct sunlight, direct heat and weather. Covers will fade over time. Do not remove covers for cleaning. Vacuum regularly using low suction. Blot food and liquid spills immediately with a dry, white, clean cloth. Do not rub. If further cleaning is required, use a mild non-coloured pure soap solution made from soap flakes mixed with warm water. Professional cleaning recommended for persistent stains. Dry in shade away from direct heat and sunlight. Allow to dry thoroughly before use.



A			1
B			1
C			1
D			1
E			1
F			1
G			1

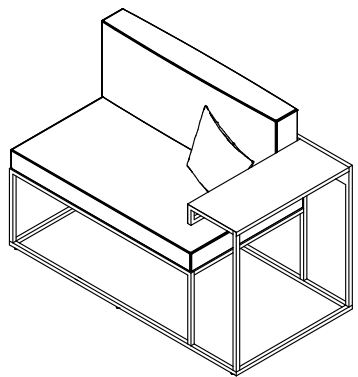
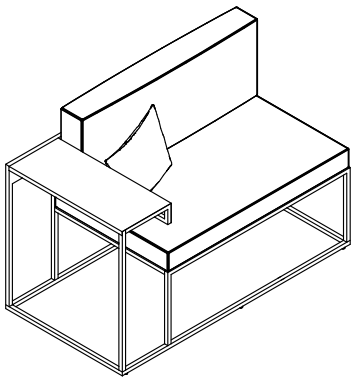
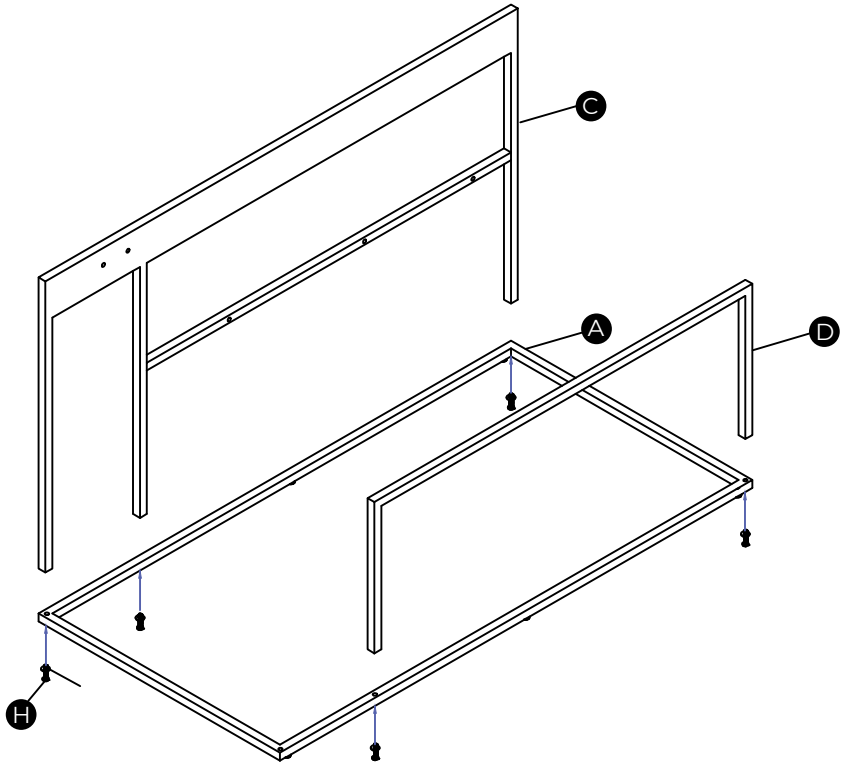
H		M6 x35mm	12
I		M6 x35mm	2
K		M6 x15mm	3
L		M6x20x2mm	19
M		M6	2
N		10MM	1
O		4MM	1

Assembly with the armrest on the right

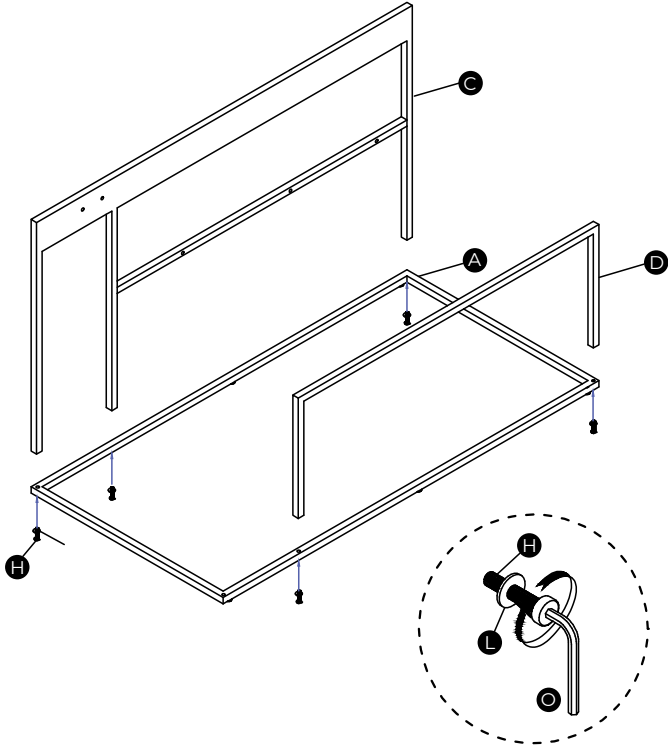


By turning the part C, it's possible to assemble the module with the arm-/backrest on the left or on the right.

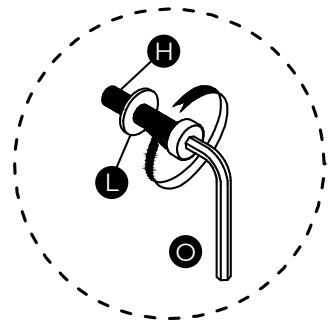
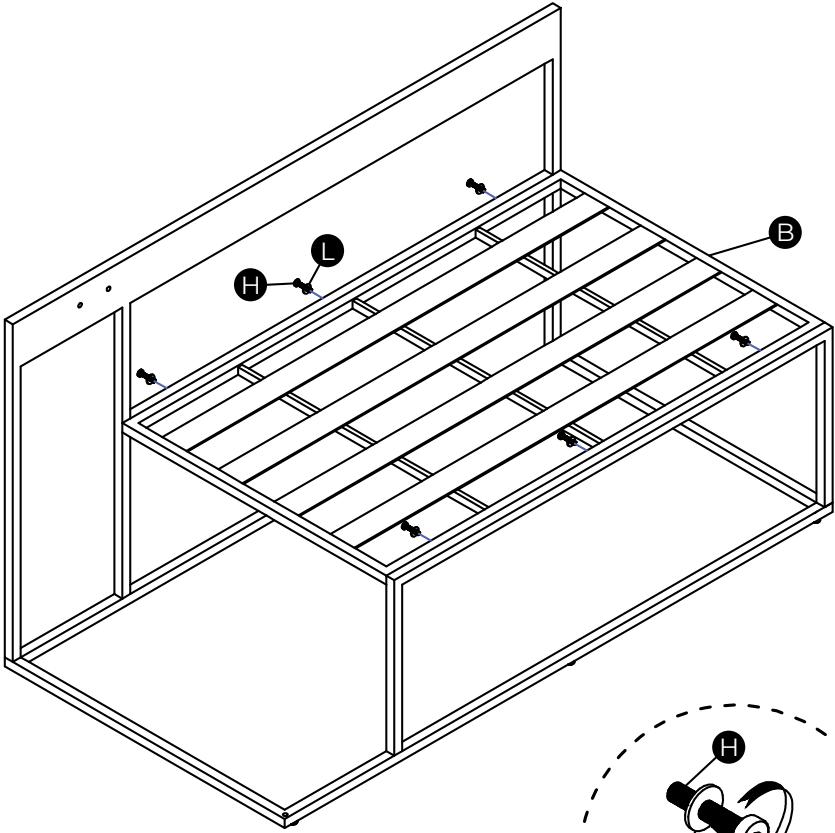
Assembly with the armrest on the left



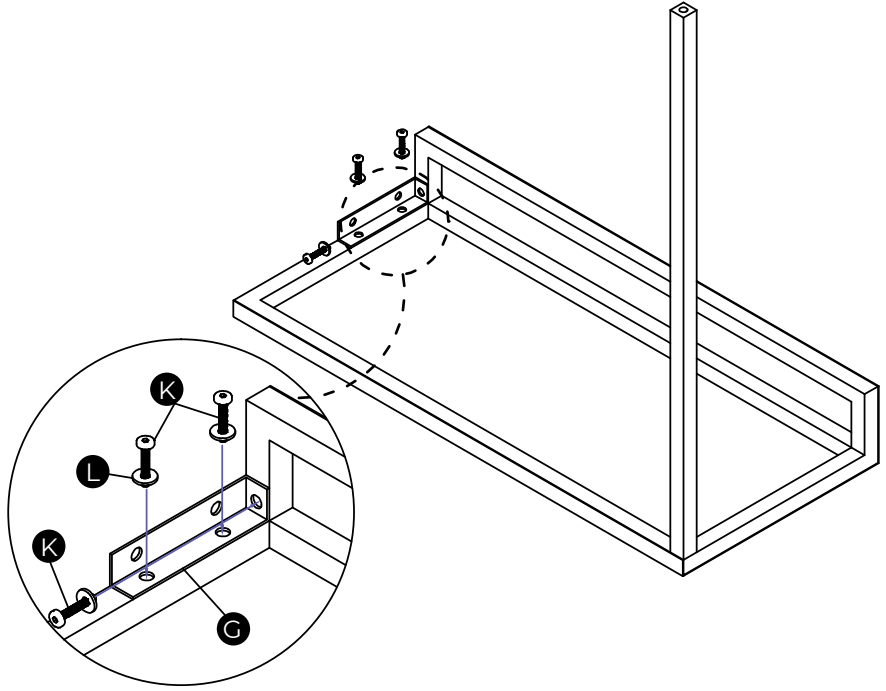
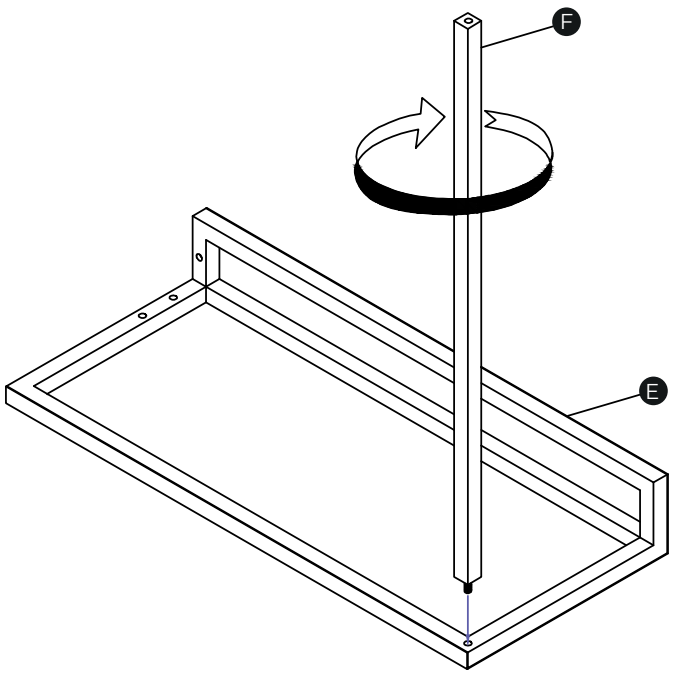
1



2



3



4

