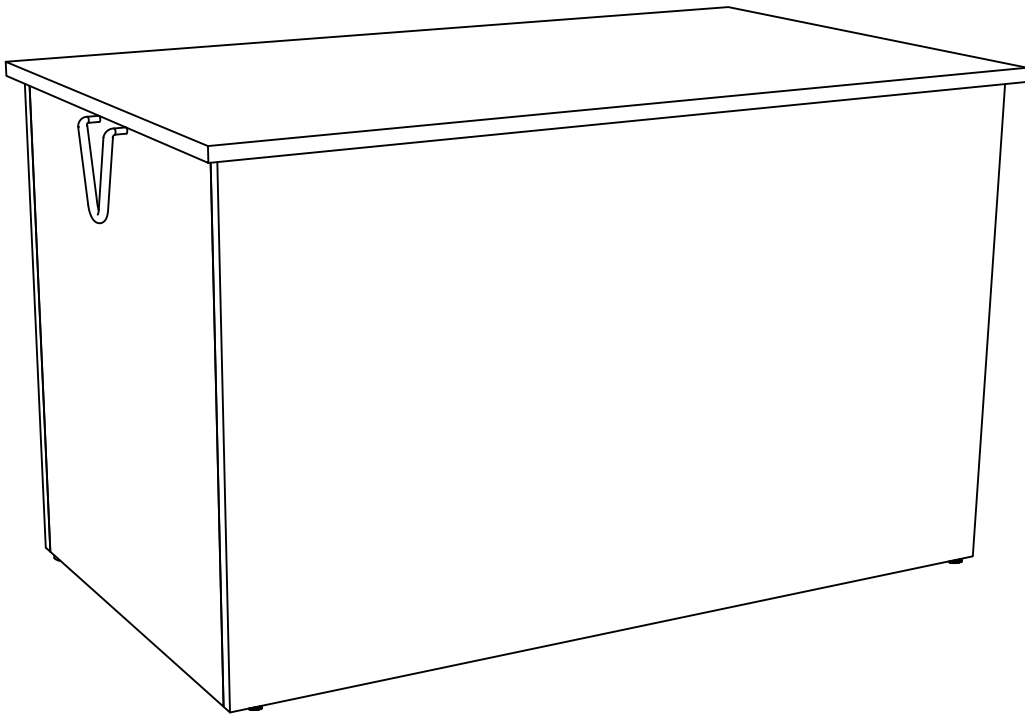
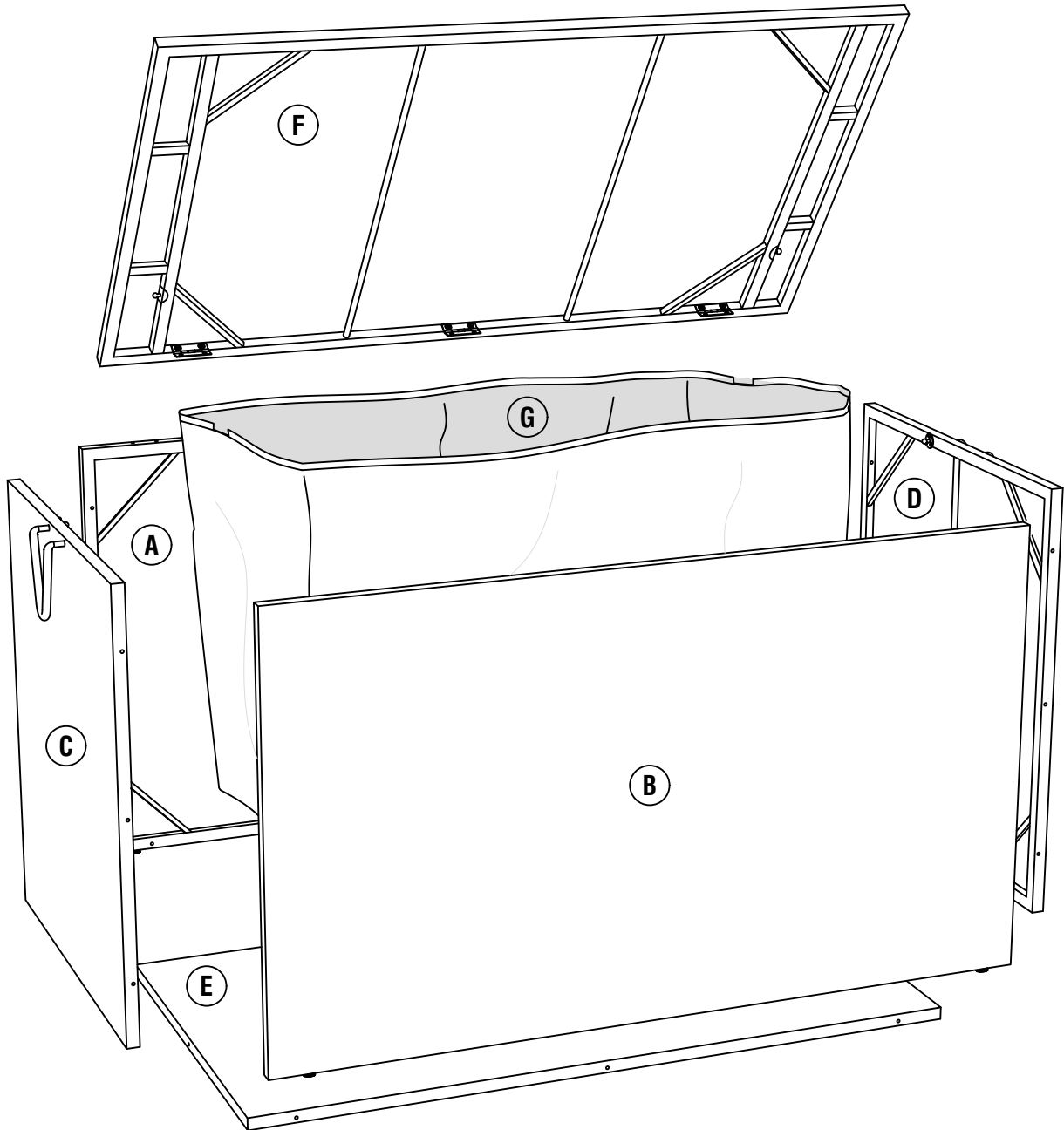


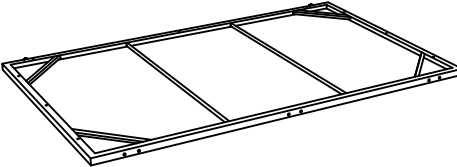
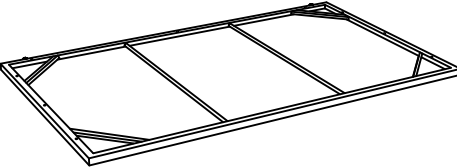
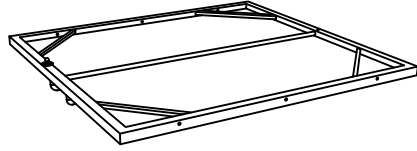
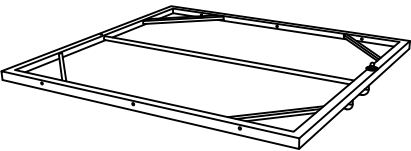
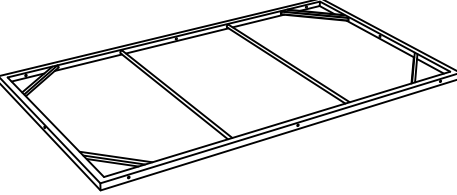
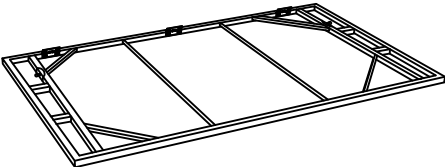
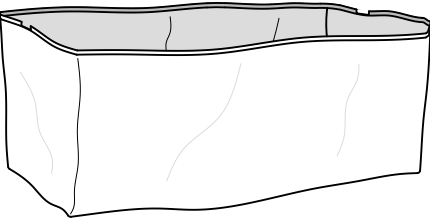
PISA CUSHION BOX

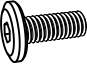



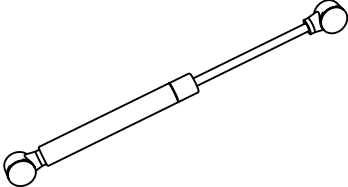


TOTAL MATERIAL LIST, FURNITURE PARTS



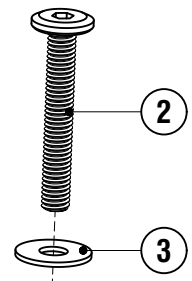
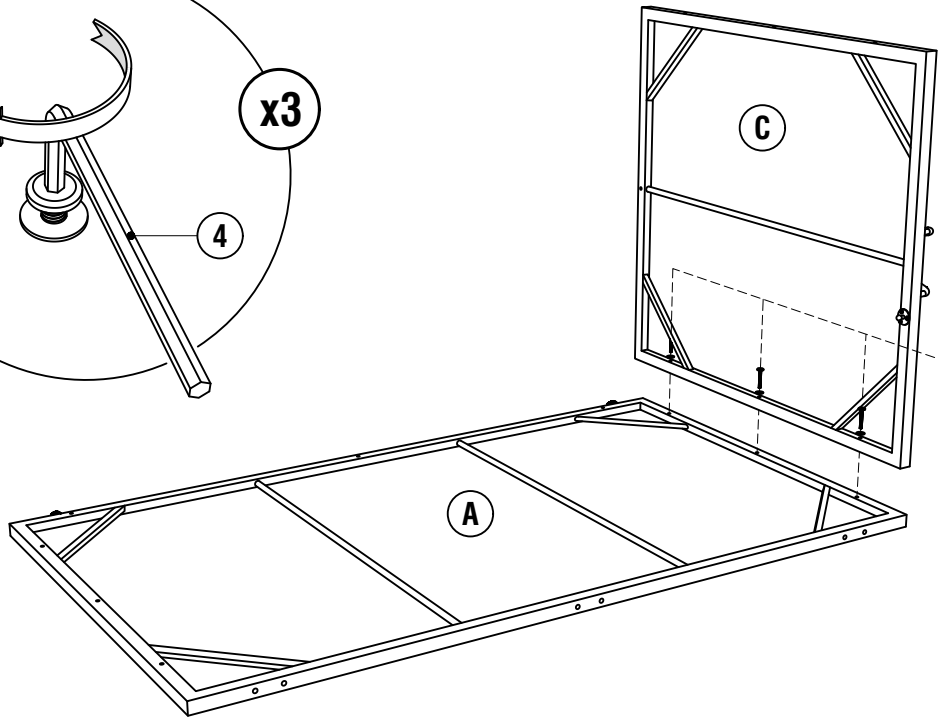
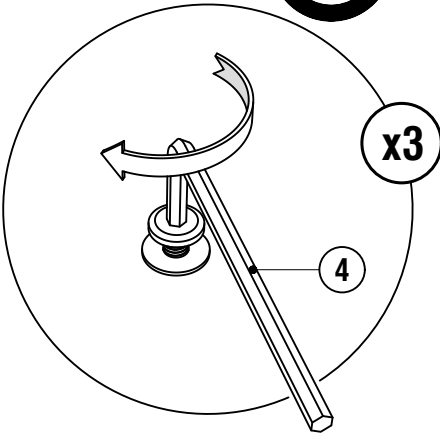
TOTAL MATERIAL LIST, FURNITURE PARTS

A /x1	B /x1	C /x1
		
D /x1	E /x1	F /x1
		
G /x1		
		

1 /x6	2 /x20	3 /x20	4 /x2	5 /x2
				

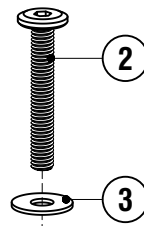
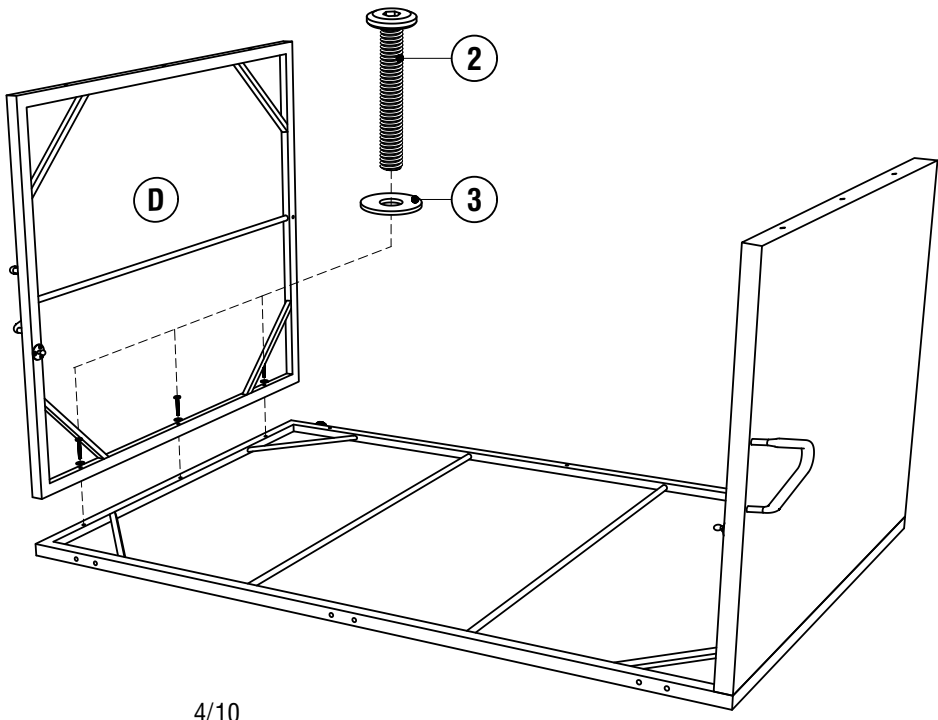
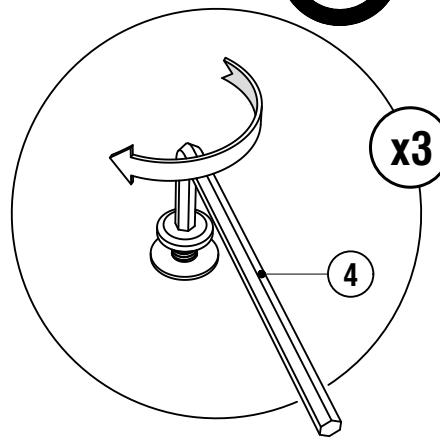
1

80%



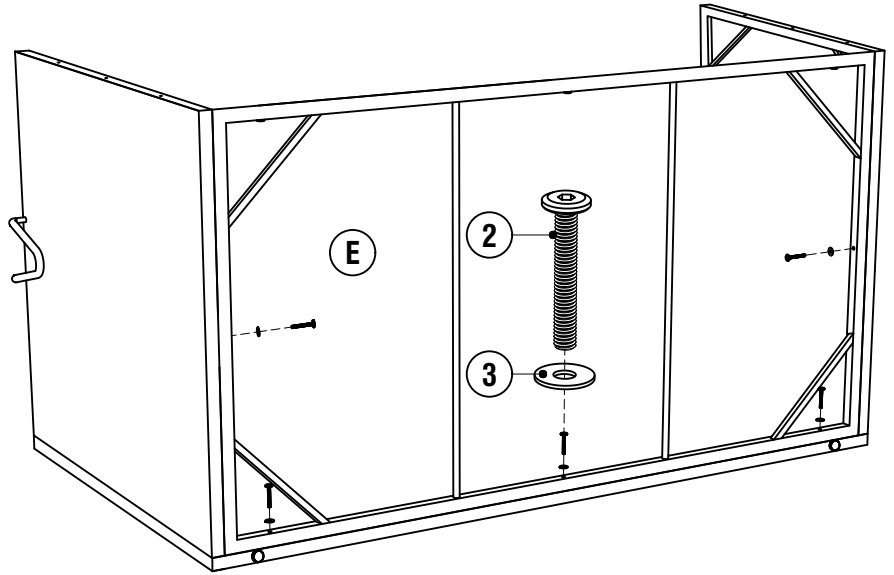
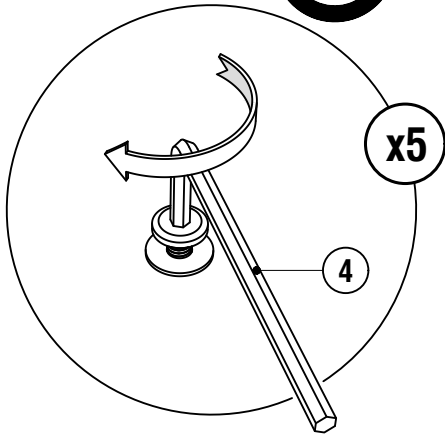
2

80%

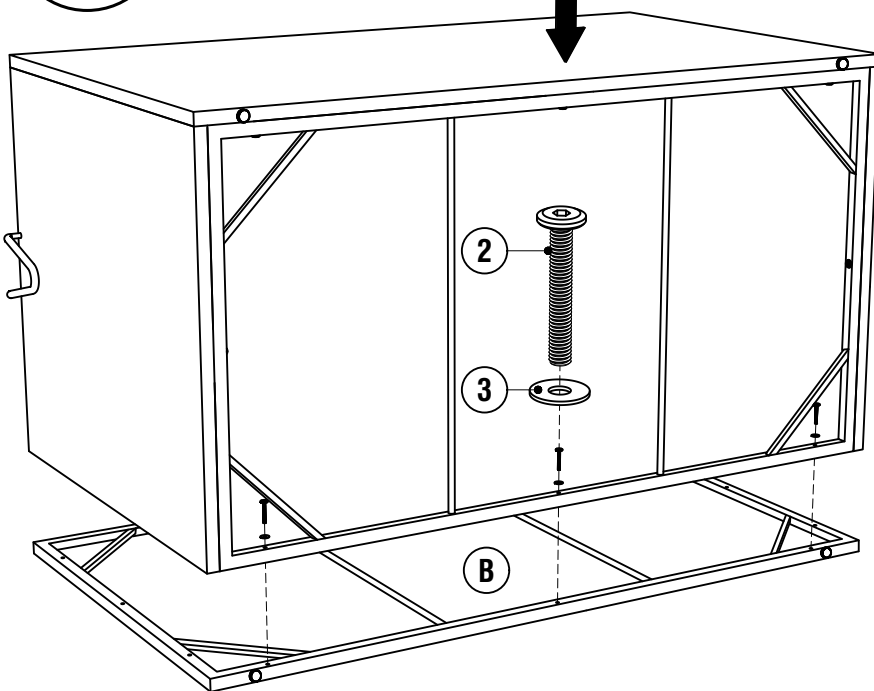


3

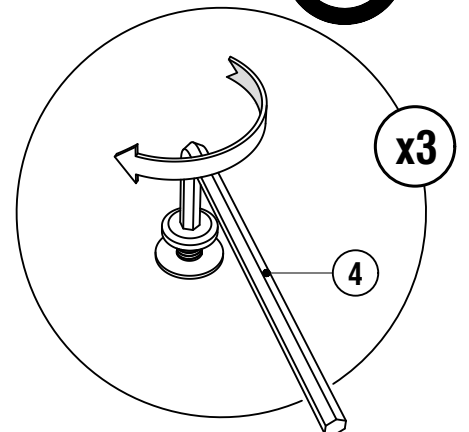
80%



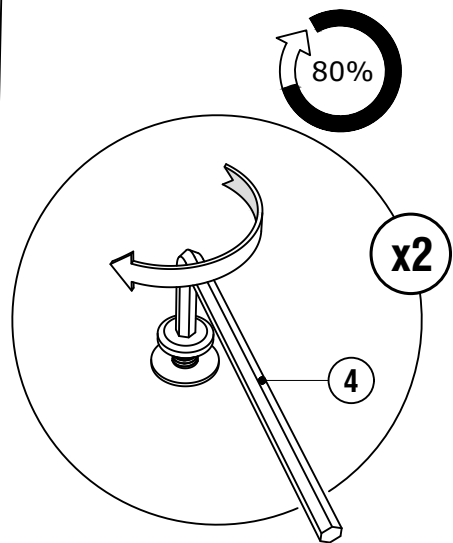
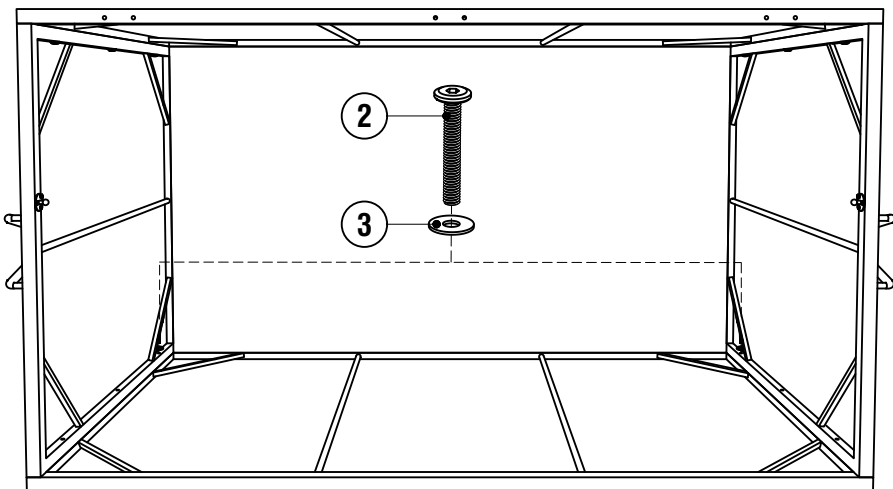
4



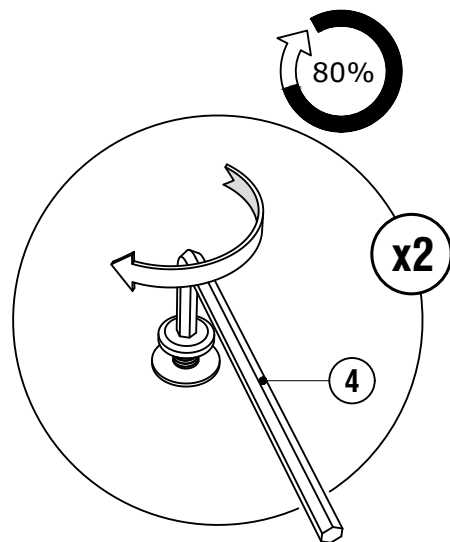
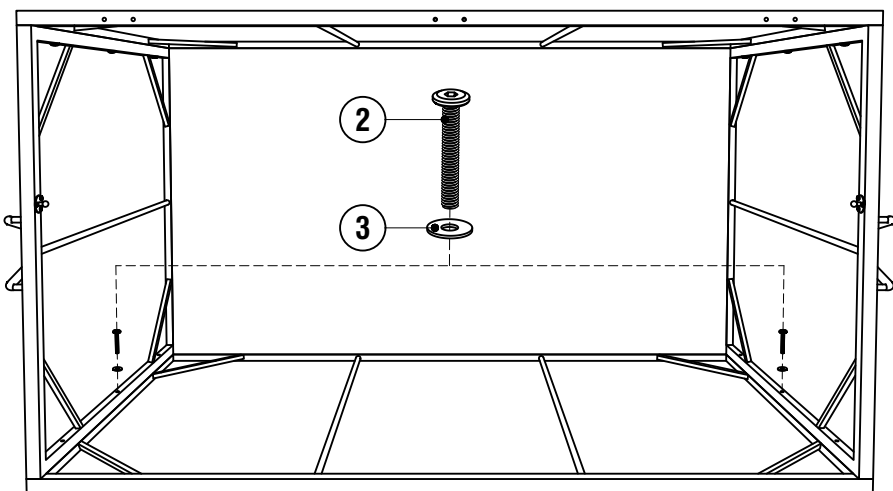
80%



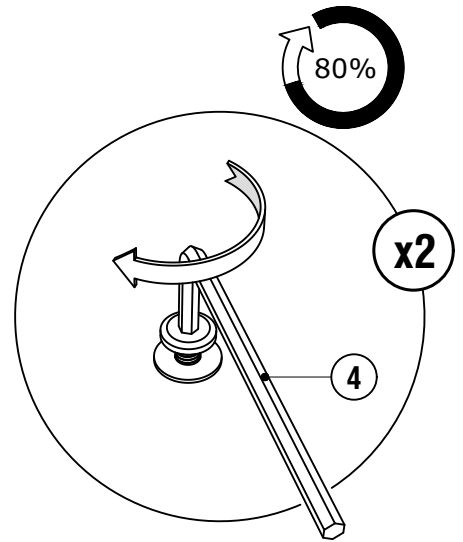
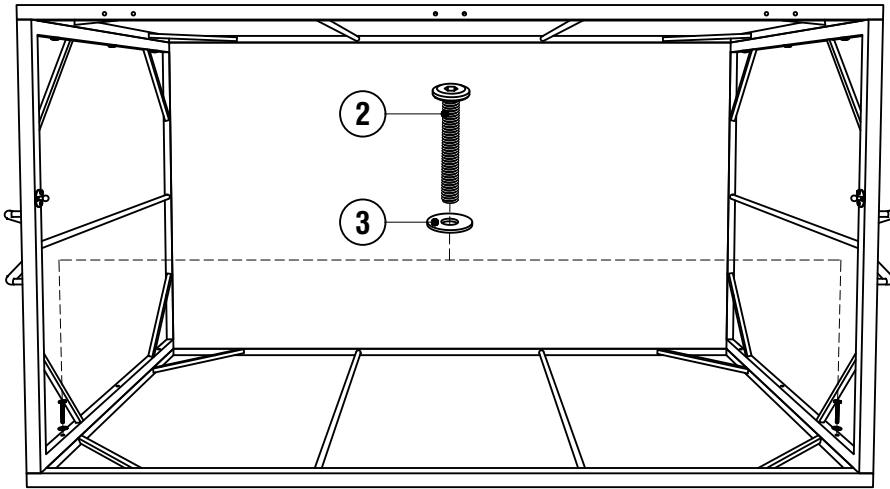
5



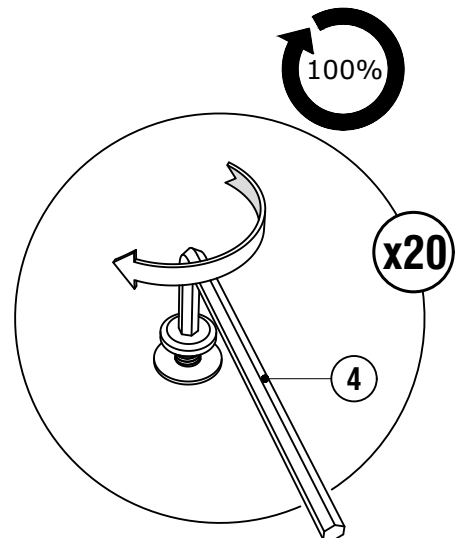
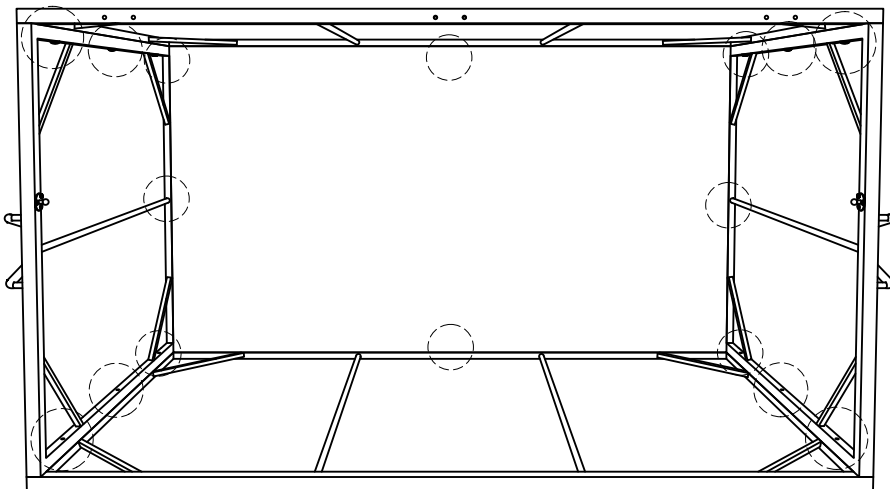
6



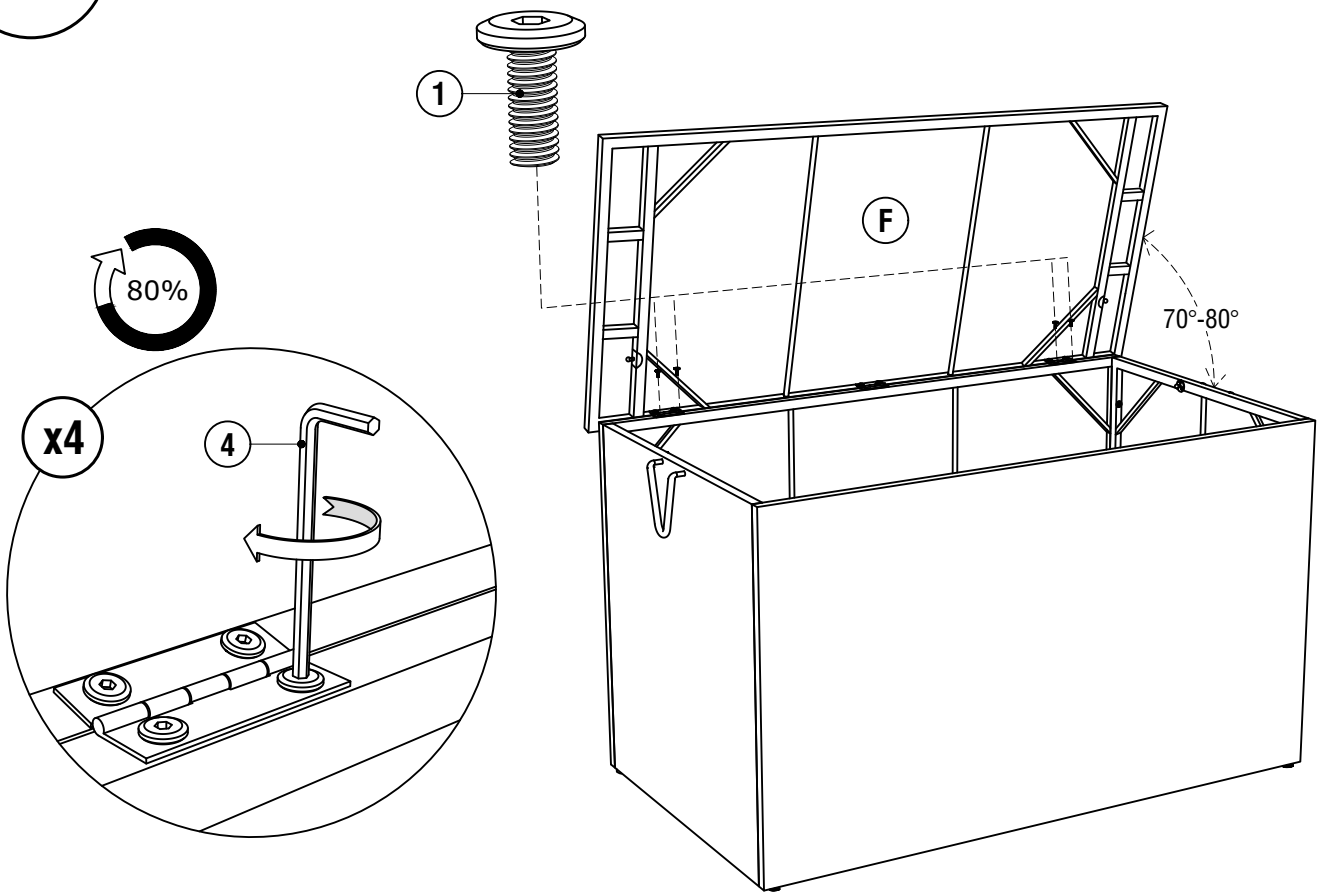
7



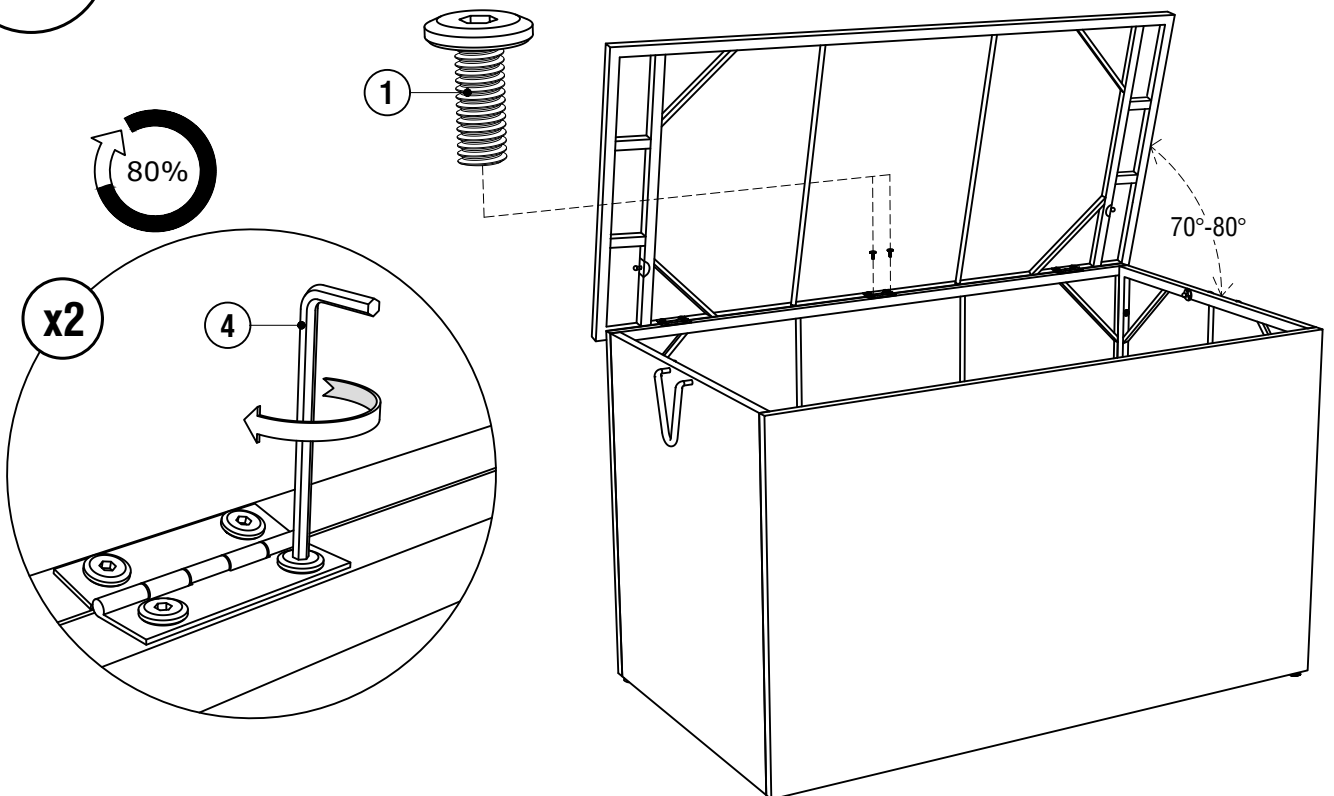
8



9

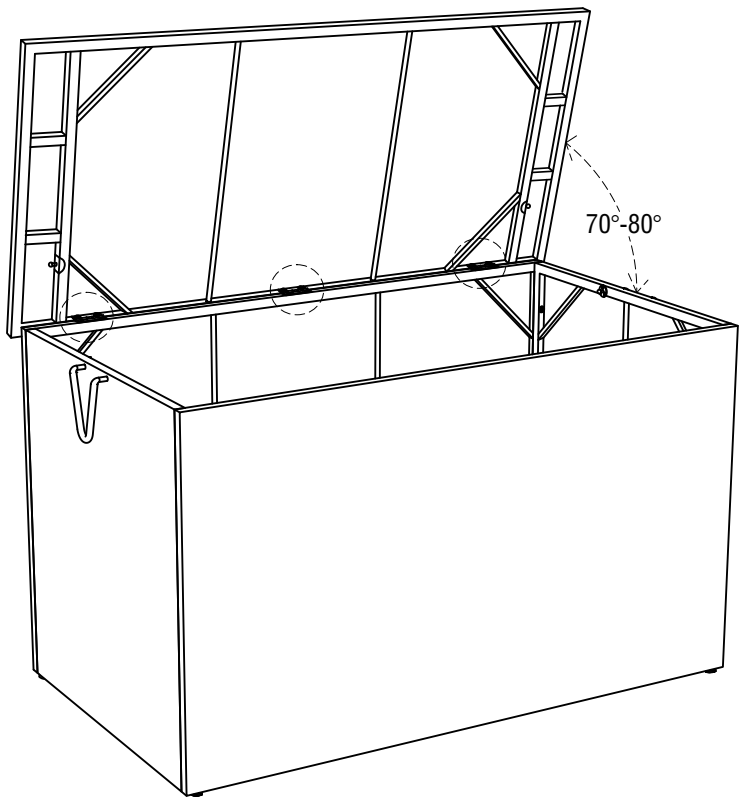
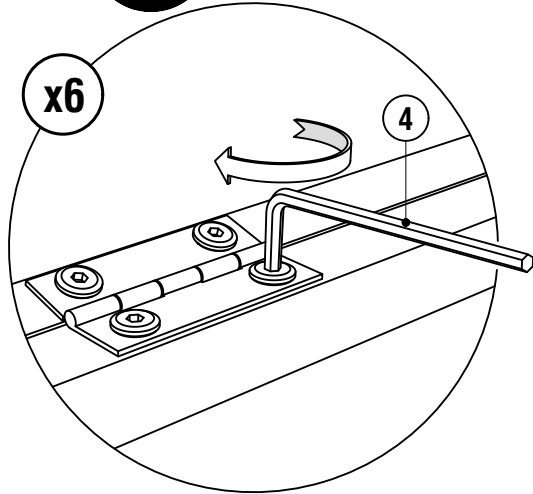


10

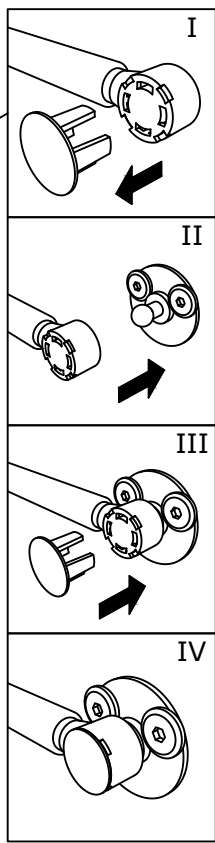
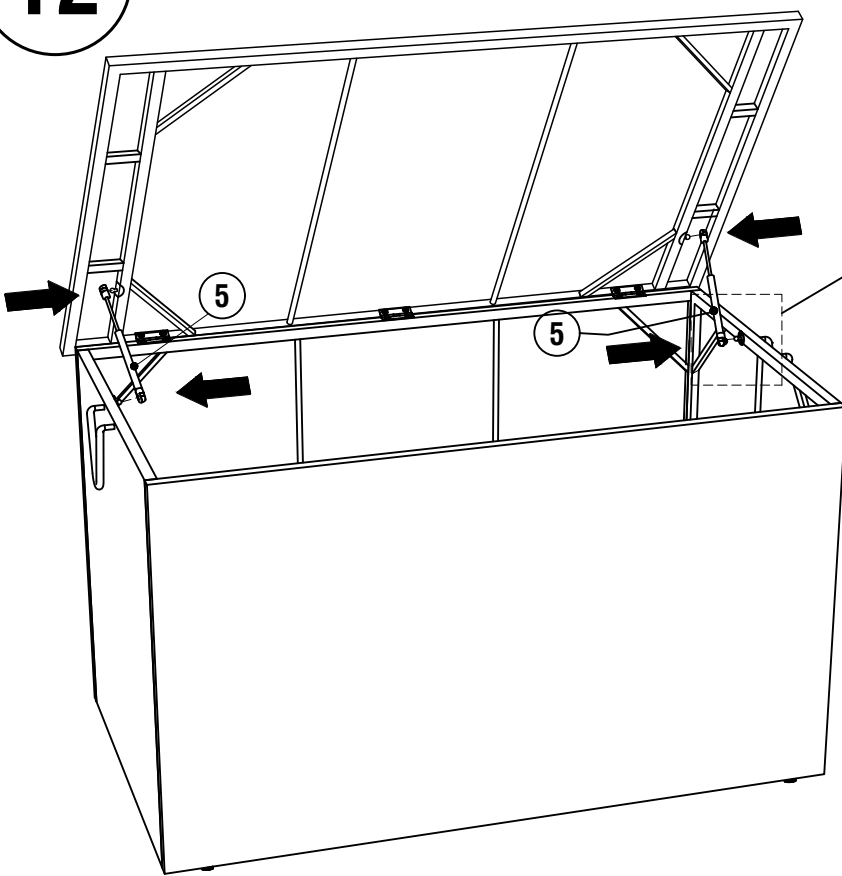


11

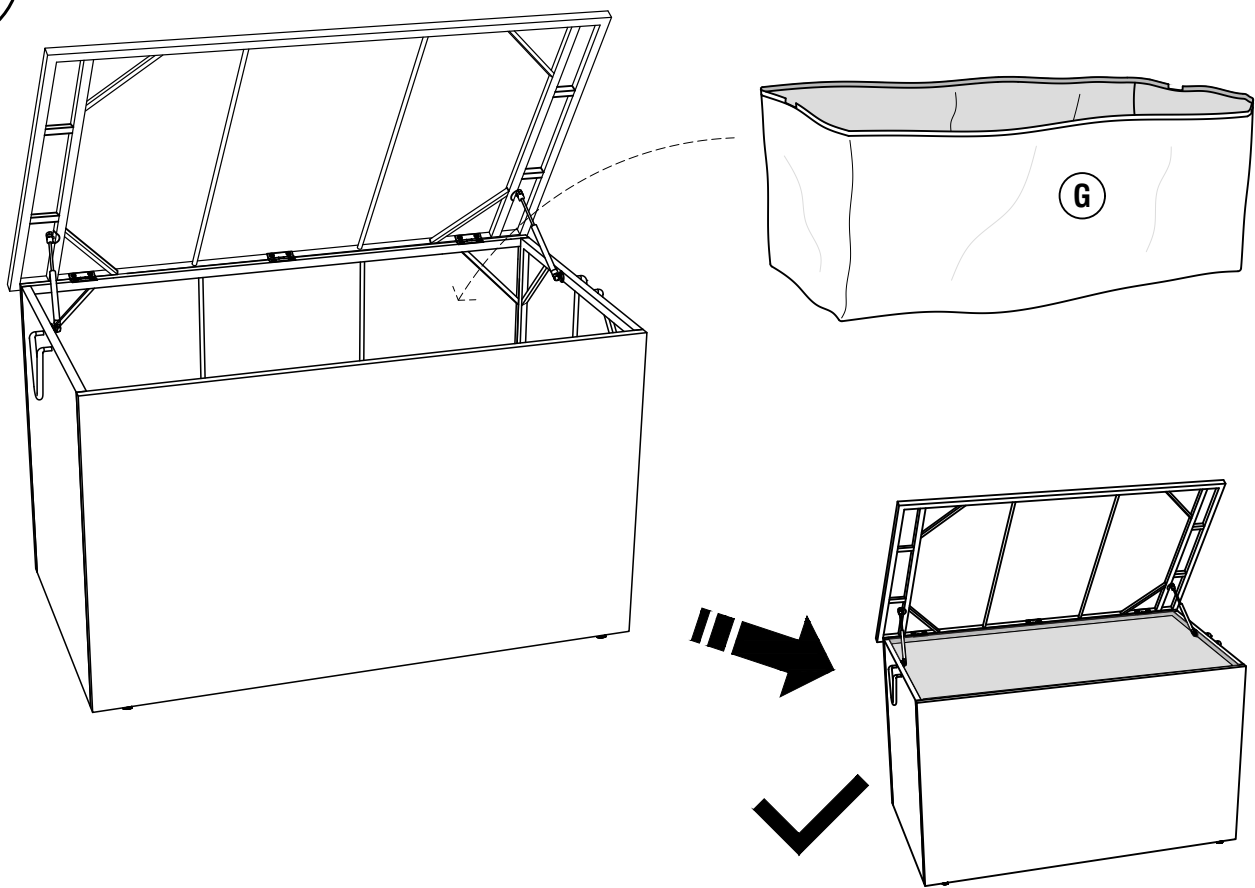
100%



12



13



14

