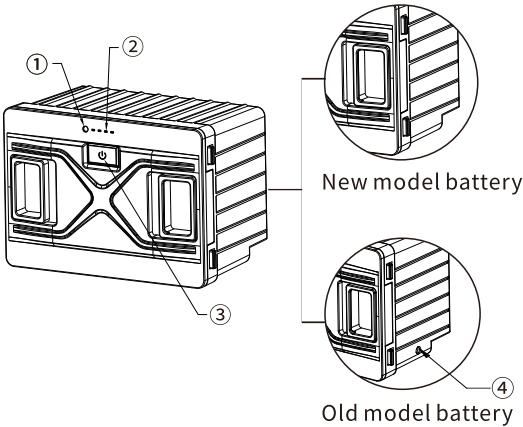


BATTERY OPERATION(OPTIONAL)

***Note:** The old model battery has a DC charging port on the side, the new model battery does not have DC charging port, refer to the instructions below for more details. It is recommended to use the new model battery.

• **Battery ON/OFF:** long press the power button on the battery to switch ON/OFF. When the battery is OFF, short press the power button to show current battery.



Model: FSAK-002

Capacity: 15600mAh/173Wh

Rated Voltage: 11.1V

① Power Indicator

(Green: charging; Blue: discharging)

② Battery Indicator (show current battery)

③ Power Button

④ DC Charging Port

(old model battery only)

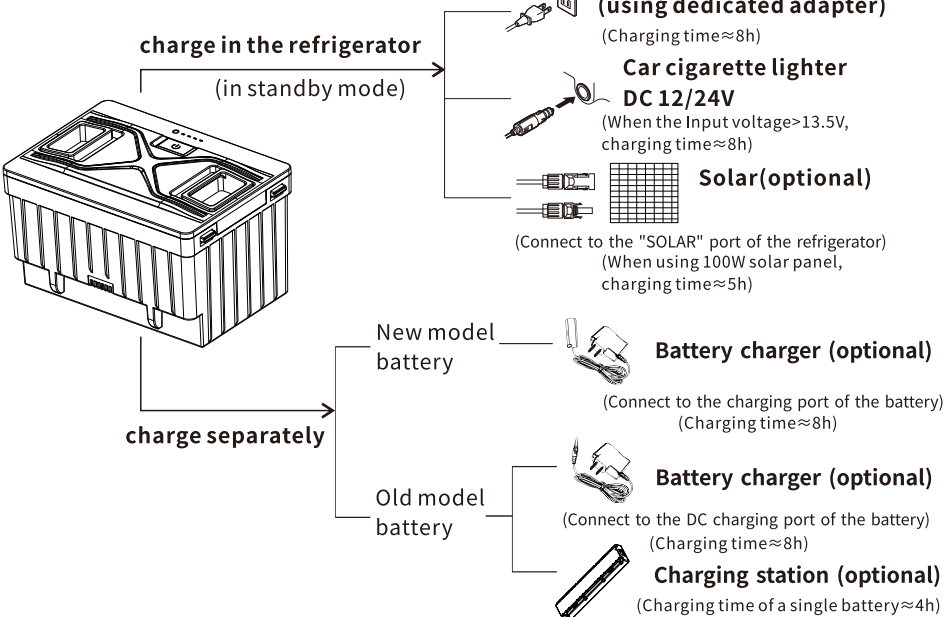
Charging Limited Voltage(DC): 12.6V

Charging Limited Current(DC): 3A

⚠ Warning:

do not disassemble the battery!

• **Battery charging (for reference only):**



Note: It is suggested to switch off the refrigerator when charging the battery (the power supply may mainly power the compressor when the refrigerator is running).

When connect to a solar panel, please place the refrigerator in a cool place to dissipate heat. The charging input power should be higher than the working power of the refrigerator (about 40-45W), or switch off the refrigerator, otherwise the battery will run out. **It is suggested to use 100W solar panel. MAX Solar Input Voltage: 50V; MAX Solar Input Current:10A.**

Note: the output of the solar panel is unstable, so it cannot power the refrigerator directly. When using a solar panel, the battery should be put into the refrigerator.

- **Discharging time (for reference only):** In the low battery protection mode, the battery can last about 4 hours after being fully charged. When the temperature of the refrigerator is set between 2~8°C (ambient temperature 25°C), it can last 12 hours after the internal temperature stabilizes. Remove or switch off the battery to prevent self-discharge when not in use.