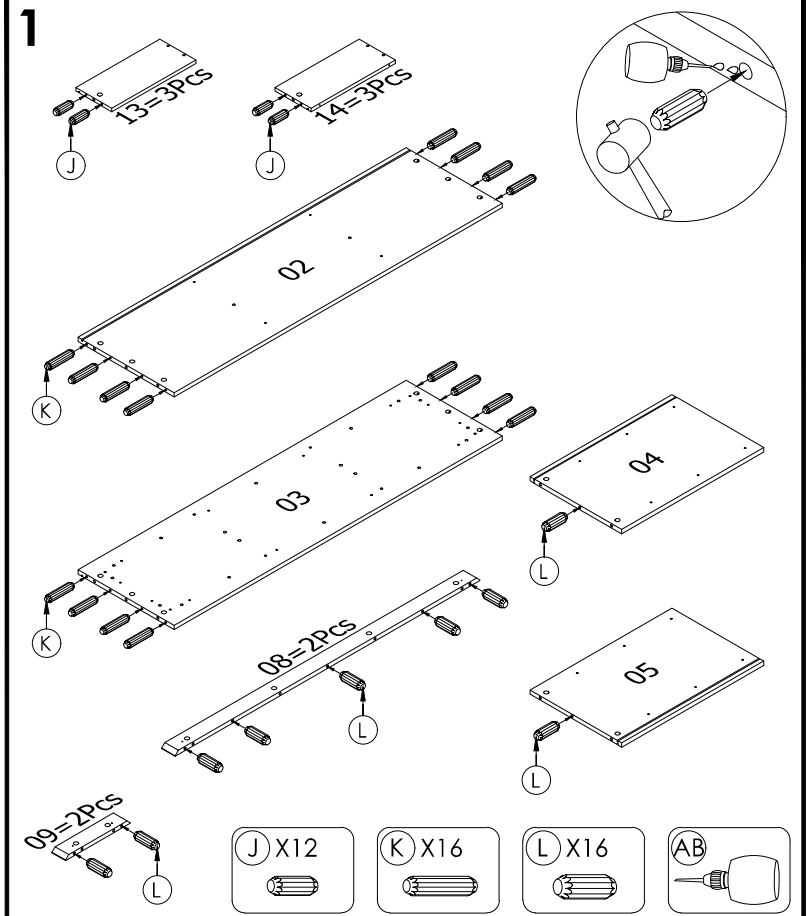
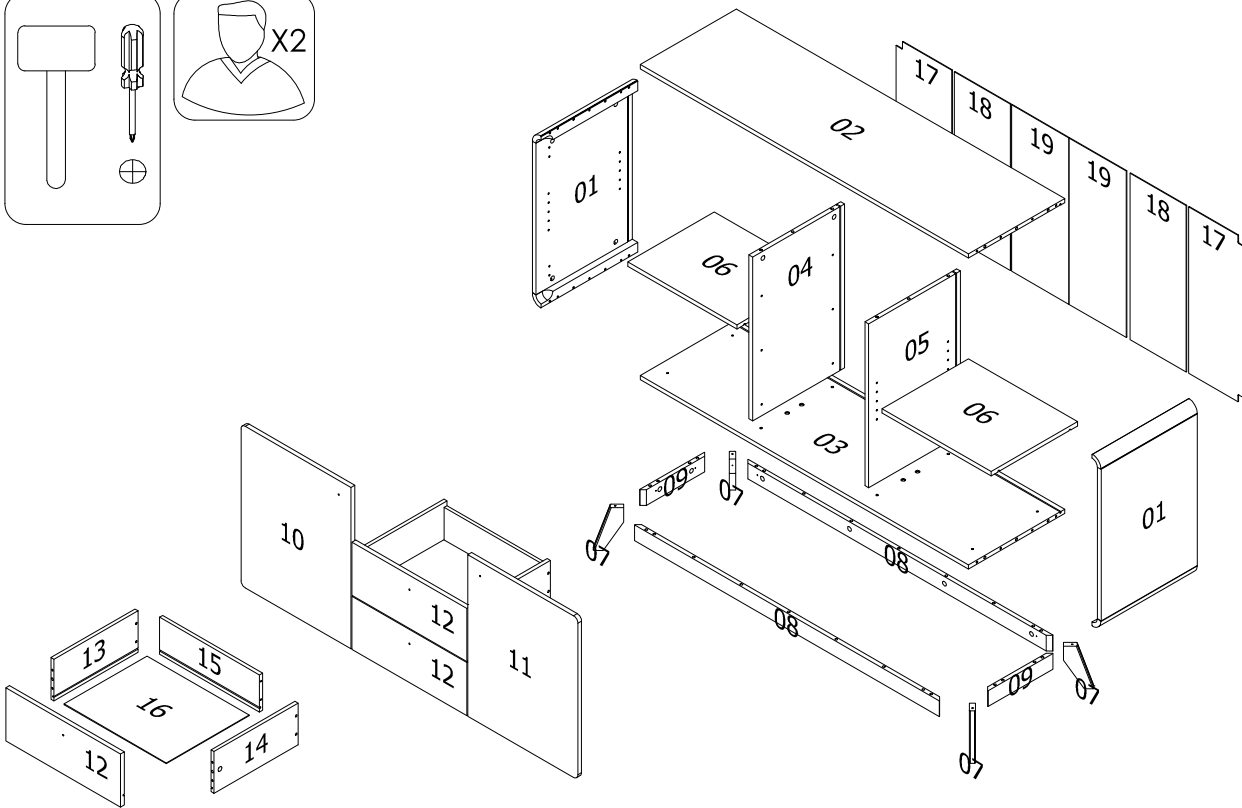
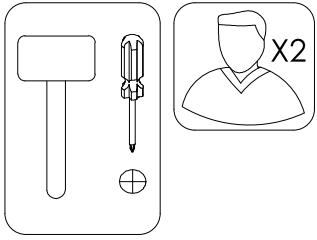


# ASSEMBLING GUIDE MODEL 5211-9-01

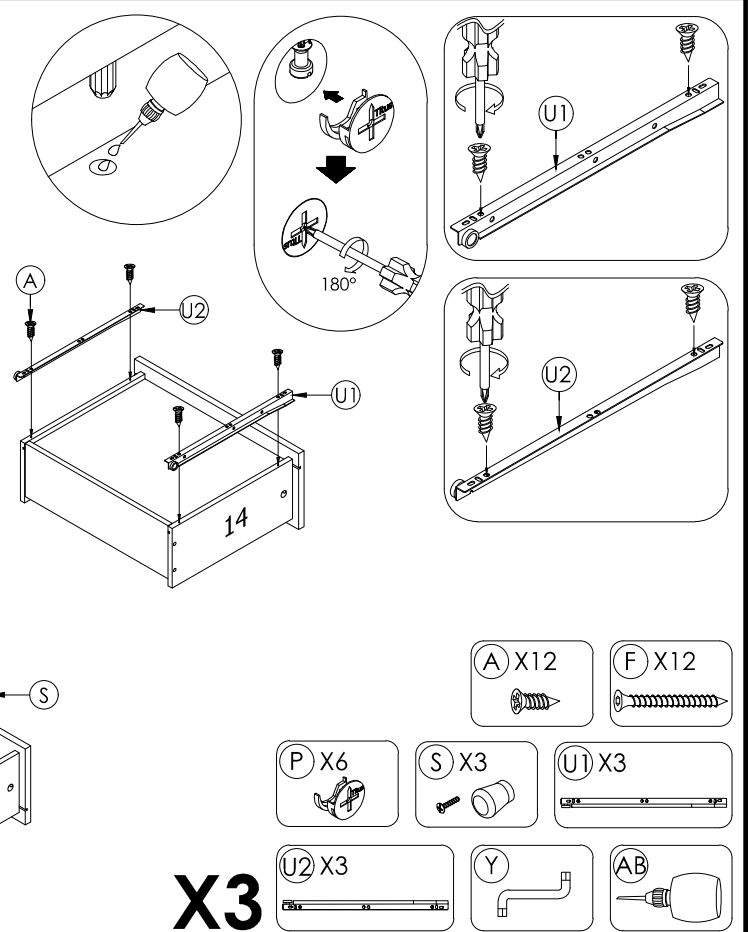
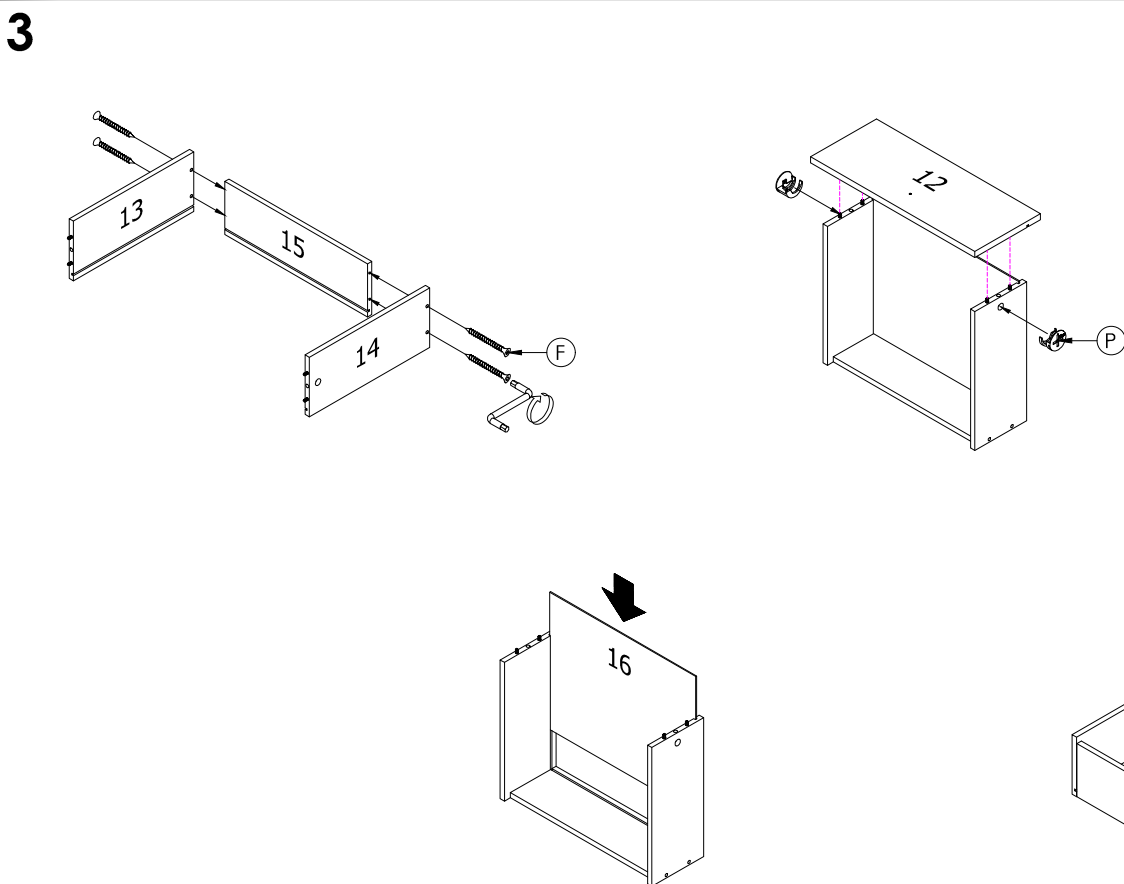
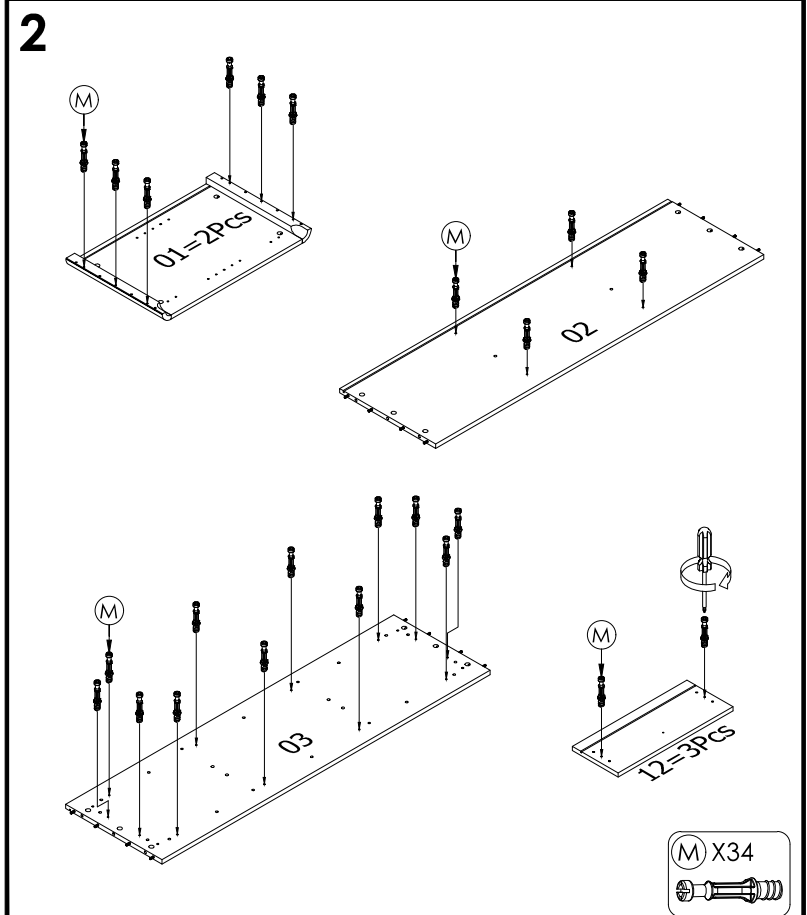
**WARNING! NOT SUITABLE FOR CHILDREN  
UNDER 3 YEARS. CONTAINS SMALL PARTS.**

**CAUTION**  
MATERIAL USED - LAMINATED MEDIUM DENSITY FIBERBOARD AND PARTICLEBOARD FRAME \* TO CLEAN  
USING SOFT, DRY, CLOTH \* DO NOT USE DETERGENT OR CHEMICALS \* AVOID CONTACT WITH WATER AND  
DIRECT SUNLIGHT \* TO BE ASSEMBLED ON A SOFT, DRY, CLEAN AND SMOOTH SURFACE \* DO NOT USE  
POWER DRILLS TO ASSEMBLE AS THIS MAY CAUSE DAMAGE TO THE PRODUCT IF OVER-TIGHTENED



A		CSK SCREW M3.5 X 12MM	12
B		CSK SCREW M3.5 X 15MM	35
C		CSK SCREW M4 X 25MM	4
D		EURO SCREW M6 X 9MM	12
E		EURO SCREW M6 X 13MM	8
F		JCBC(W) SCREW M6 X 40MM	20
G		JCBC SCREW M6 X 12MM	4
H		JCN NUT Ø6 X L13MM	4
J		WOOD DOWEL (Ø6 X 20MM)	12
K		WOOD DOWEL (Ø6 X 35MM)	16
L		WOOD DOWEL (Ø8 X 25MM)	16
M		BOLT-9607 PARALEL NECK DOWEL 24 X 8.5	34
N		CAM-9499 CAM 3000 15 X 12	28
P		CAM-9642 CAM 3000 12/13MM	6
Q1		METAL HINGES (7/8") W/ SPRING	4

Q2		HINGES PLATE	4
R		PLASTIC LEVELLER(10MM)	4
S		9933 WOODEN HDL KNOB (D20, H22) NATURAL= (1PC) WITH SCREW (MC4 X 22MM)= (1PC)	5 SETS
T1		DRAWER SLIDE CR (350MM)	3
T2		DRAWER SLIDE CL (350MM)	3
U1		DRAWER SLIDE DR (350MM)	3
U2		DRAWER SLIDE DL (350MM)	3
V		T SHAPE METAL LEG WITH ADJUSTABLE (Ø25 X 145MM)	2 SETS
W		TABLE CORNER BRACKET (5HOLES) (1.5 X 30 X 30 X 50 X 45MM)	4
X		METAL ADJUSTABLE SHELF STUD	8
Y		ALLEN KEY M4	1
Z		BACKPLY STOPPER	18
AA		WEBBING TAPE (1.2 X 12 X 145 MM)	1
AB		GLUE	4



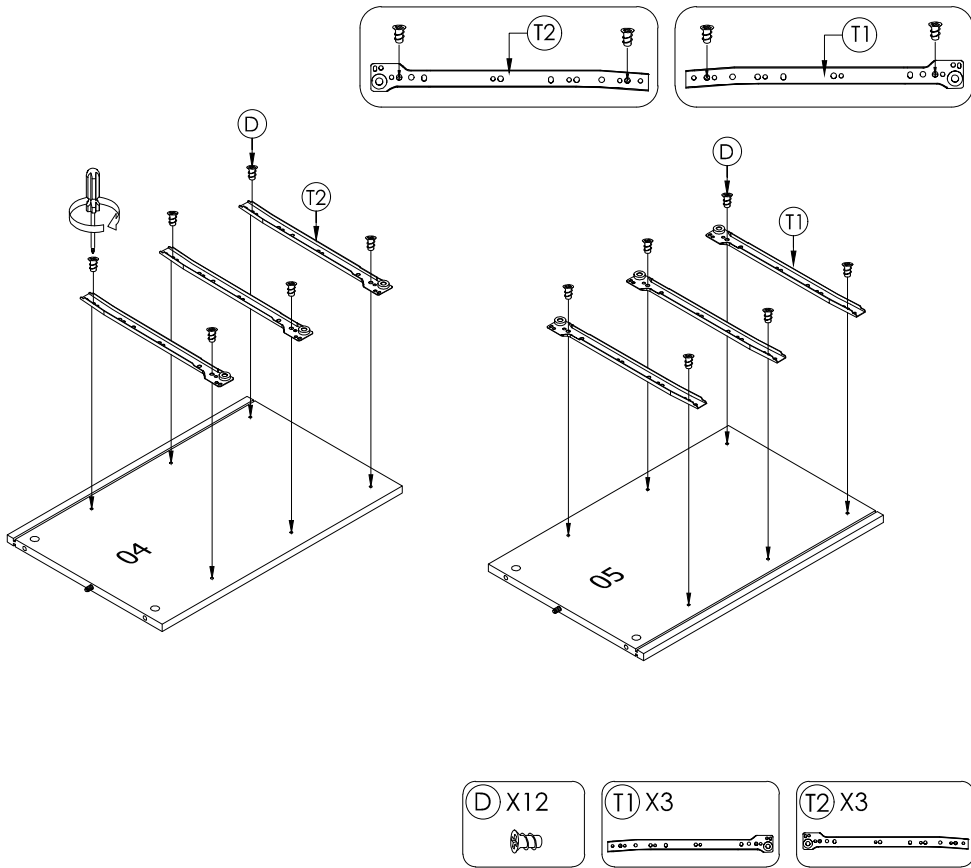
**X3**

# ASSEMBLING GUIDE MODEL 5211-9-01

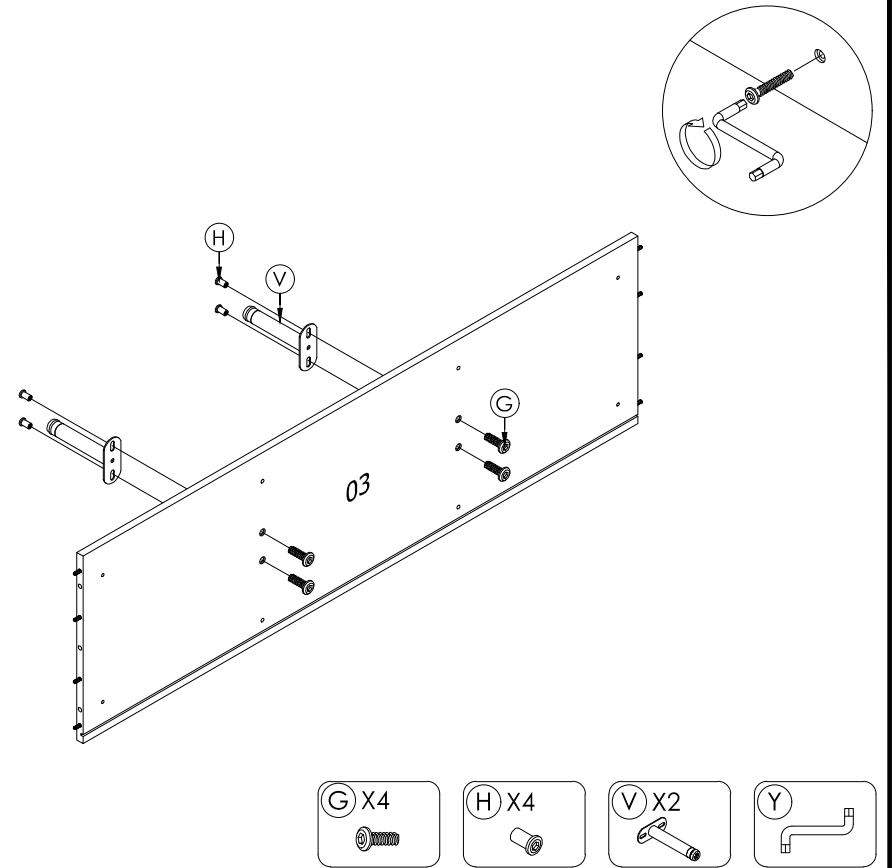
**WARNING! NOT SUITABLE FOR CHILDREN  
UNDER 3 YEARS. CONTAINS SMALL PARTS.**

**CAUTION**  
MATERIAL USED - LAMINATED MEDIUM DENSITY FIBERBOARD AND PARTICLEBOARD FRAME \* TO CLEAN  
USING SOFT, DRY, CLOTH \* DO NOT USE DETERGENT OR CHEMICALS \* AVOID CONTACT WITH WATER AND  
DIRECT SUNLIGHT \* TO BE ASSEMBLED ON A SOFT, DRY, CLEAN AND SMOOTH SURFACE \* DO NOT USE  
POWER DRILLS TO ASSEMBLE AS THIS MAY CAUSE DAMAGE TO THE PRODUCT IF OVER-TIGHTENED

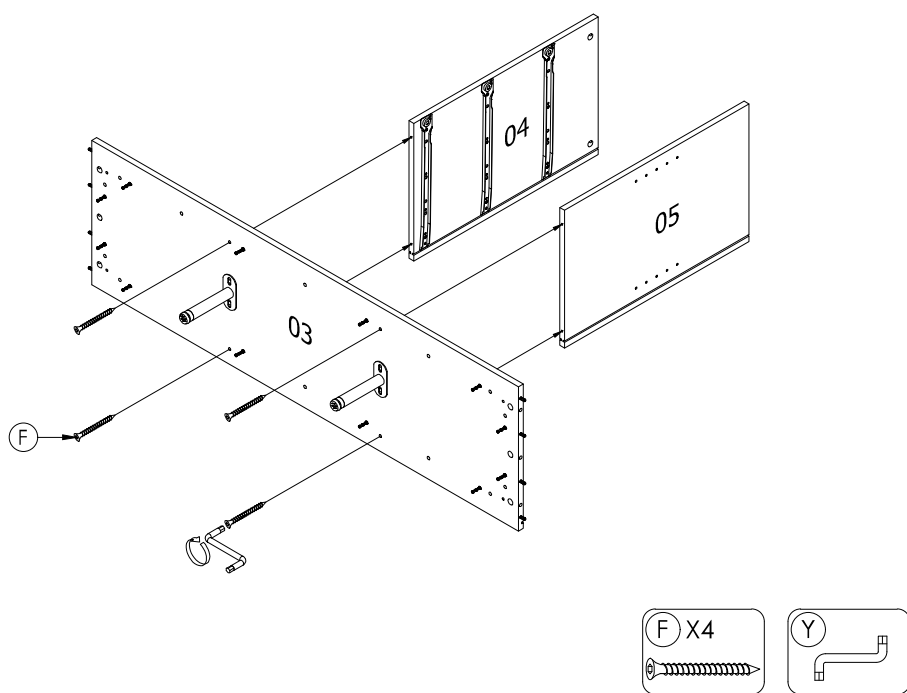
4



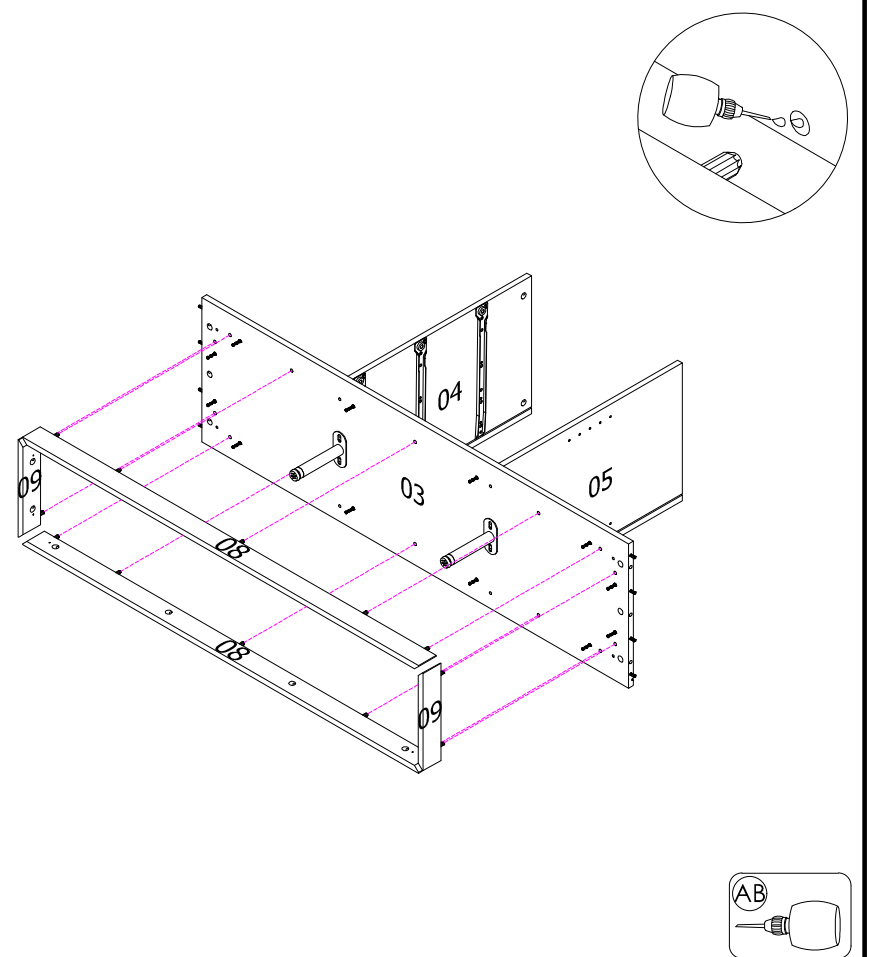
5



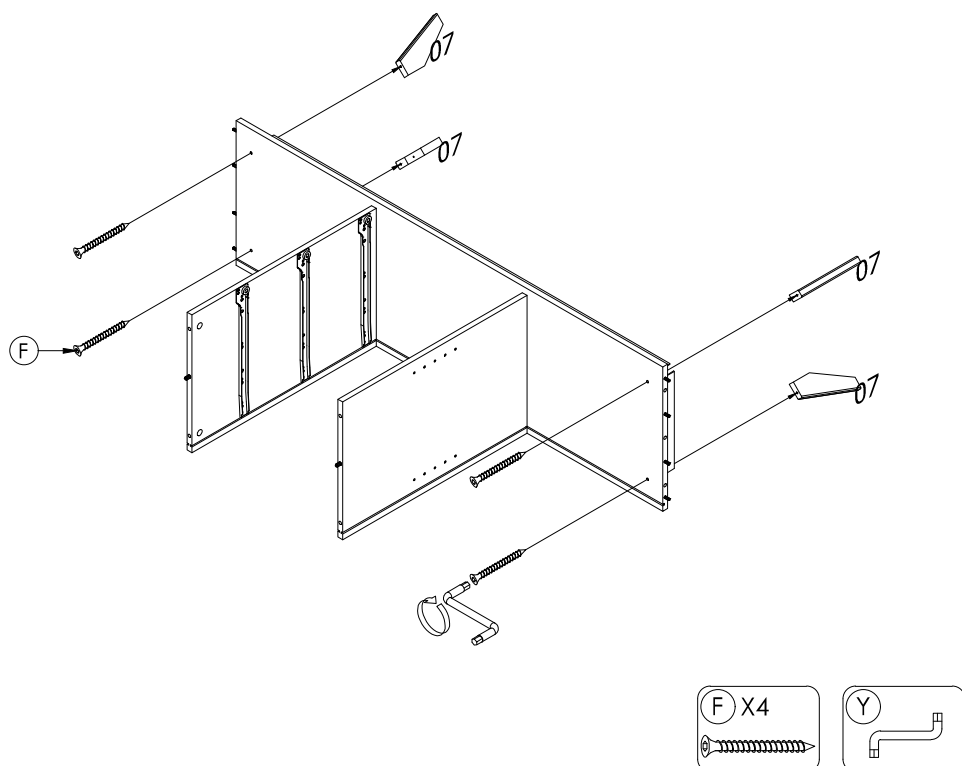
6



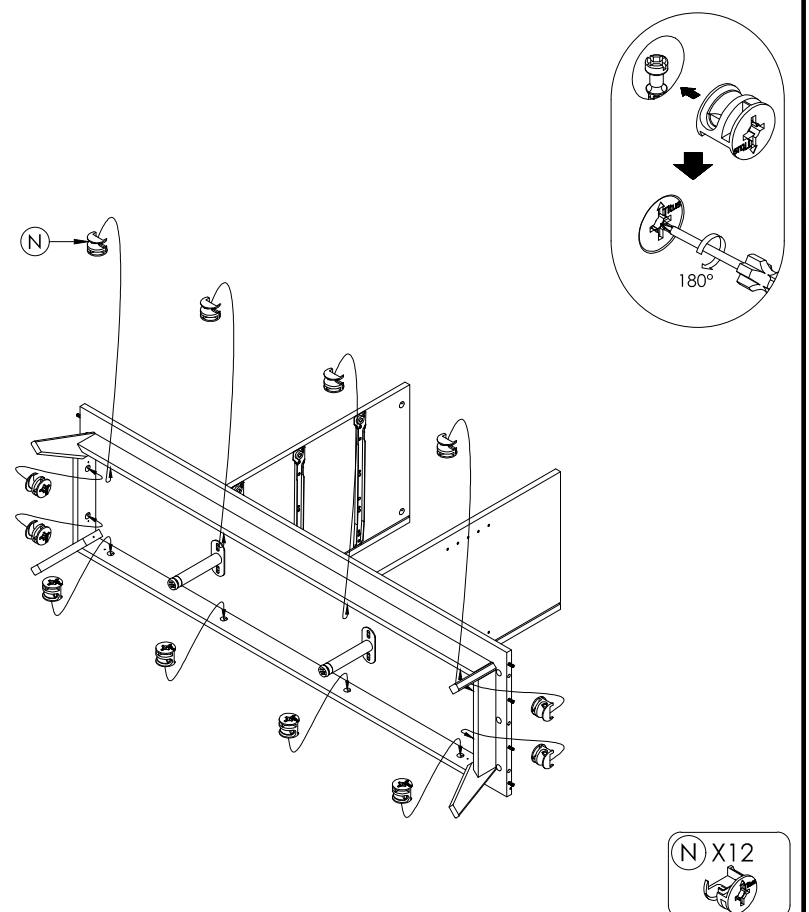
7



8



9

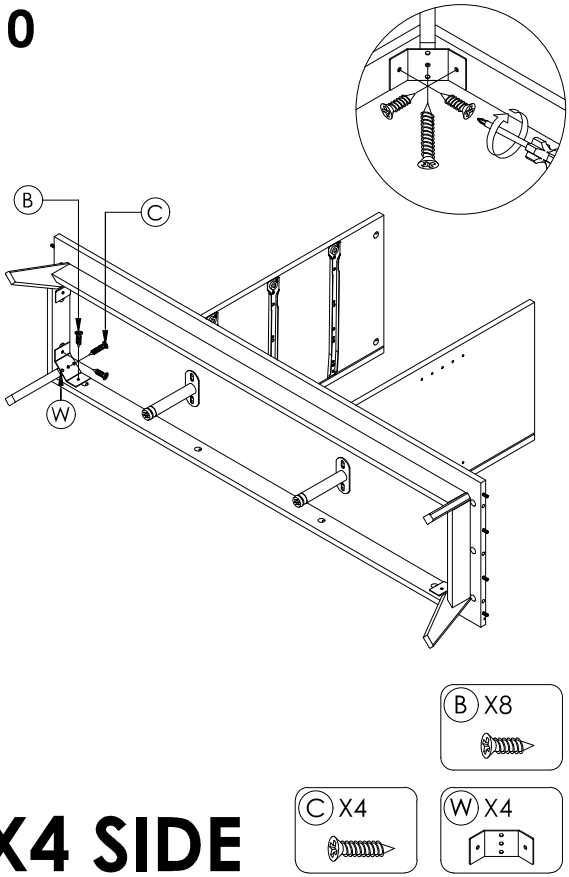


# ASSEMBLING GUIDE MODEL 5211-9-01

**WARNING! NOT SUITABLE FOR CHILDREN  
UNDER 3 YEARS. CONTAINS SMALL PARTS.**

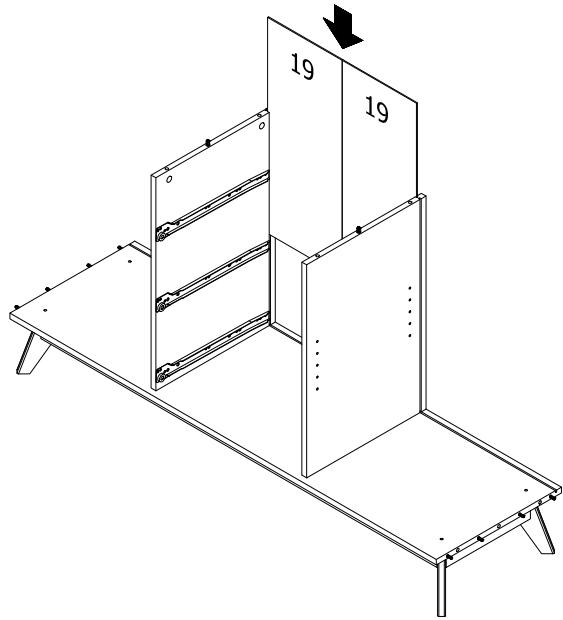
**CAUTION**  
MATERIAL USED - LAMINATED MEDIUM DENSITY FIBERBOARD AND PARTICLEBOARD FRAME \* TO CLEAN  
USING SOFT, DRY, CLOTH \* DO NOT USE DETERGENT OR CHEMICALS \* AVOID CONTACT WITH WATER AND  
DIRECT SUNLIGHT \* TO BE ASSEMBLED ON A SOFT, DRY, CLEAN AND SMOOTH SURFACE \* DO NOT USE  
POWER DRILLS TO ASSEMBLE AS THIS MAY CAUSE DAMAGE TO THE PRODUCT IF OVER-TIGHTENED

10

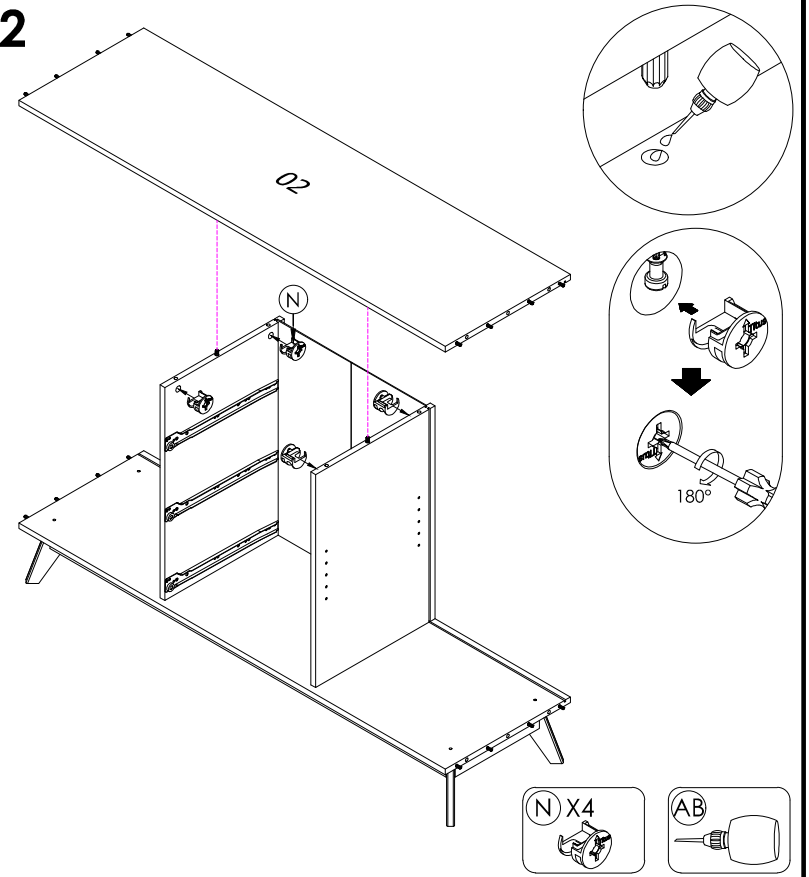


**X4 SIDE**

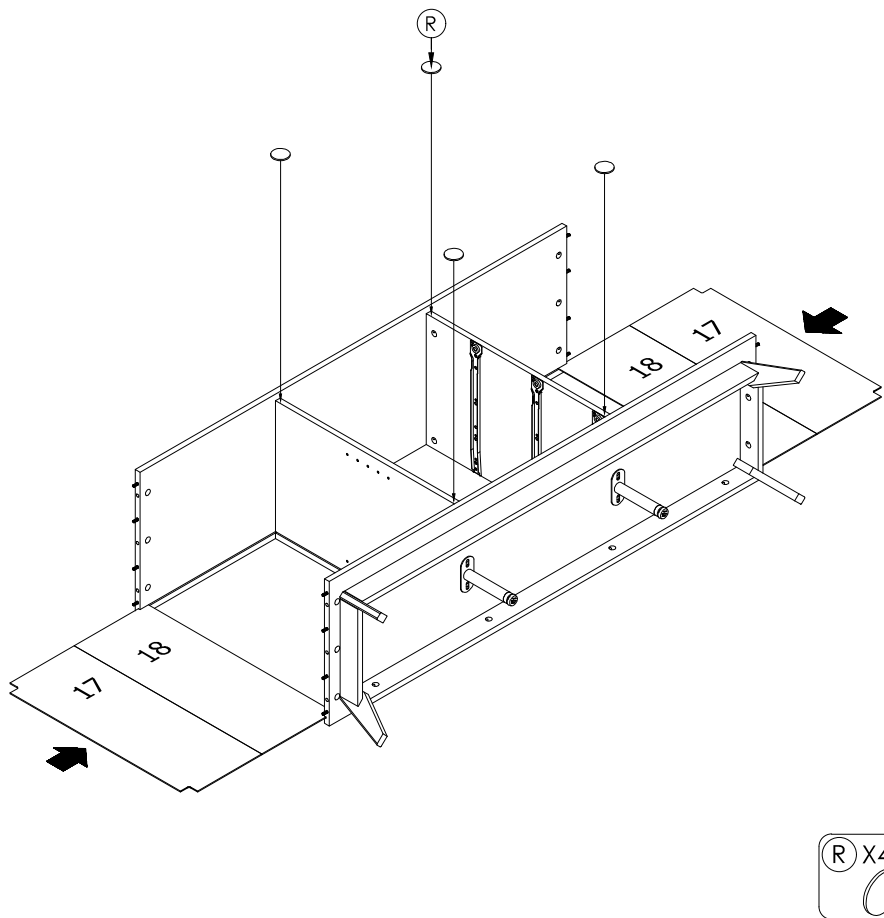
11



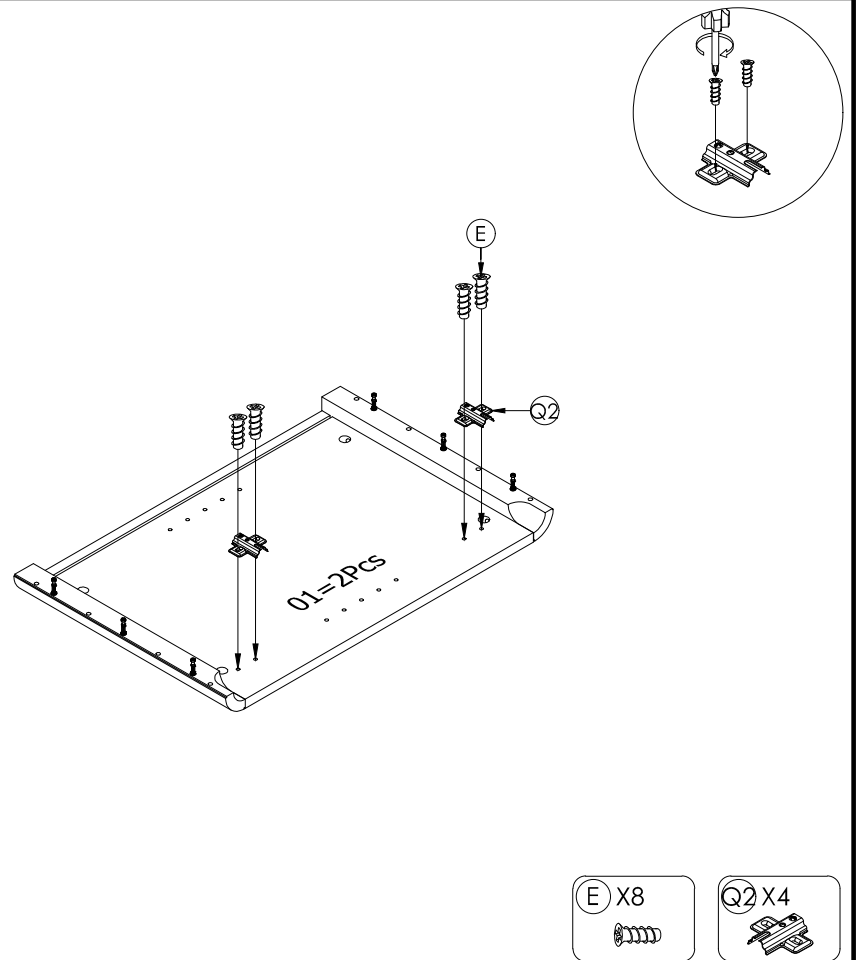
12



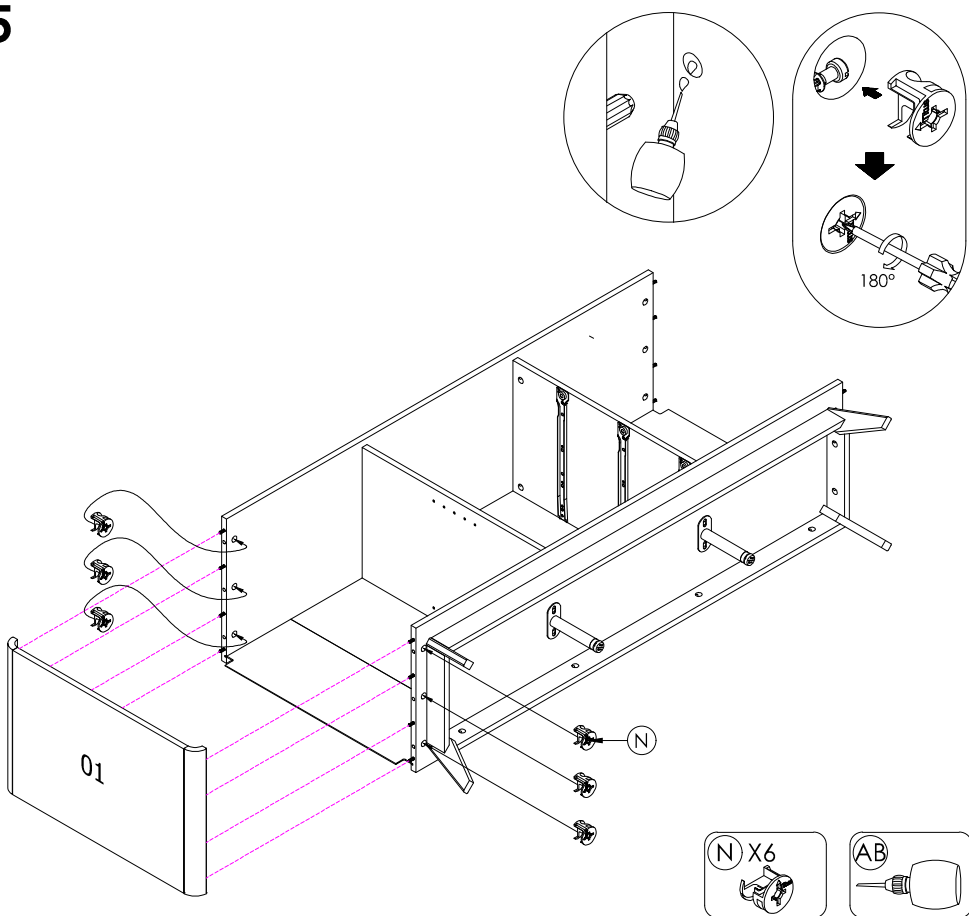
13



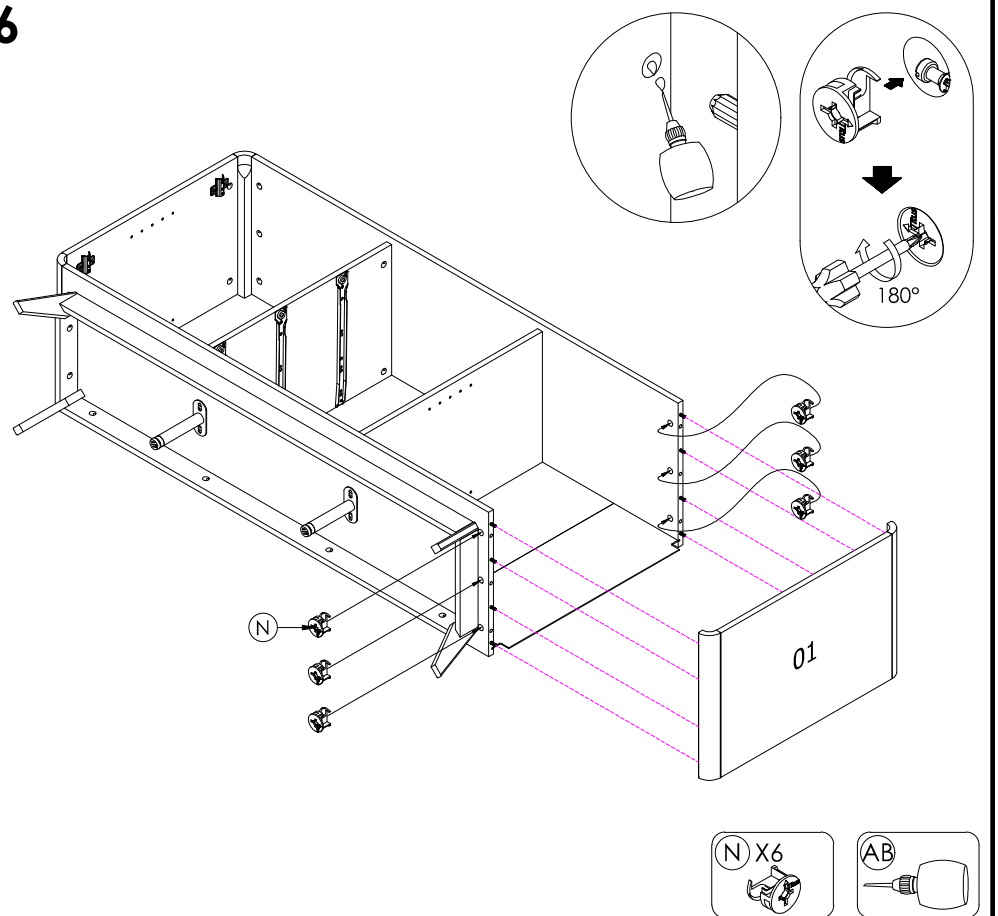
14



15



16

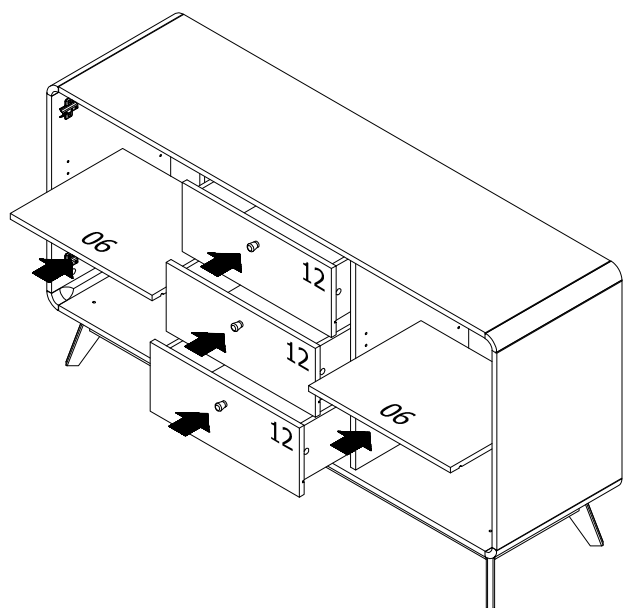


# ASSEMBLING GUIDE MODEL 5211-9-01

**WARNING! NOT SUITABLE FOR CHILDREN  
UNDER 3 YEARS. CONTAINS SMALL PARTS.**

**CAUTION**  
MATERIAL USED - LAMINATED MEDIUM DENSITY FIBERBOARD AND PARTICLEBOARD FRAME \* TO CLEAN  
USING SOFT, DRY, CLOTH \* DO NOT USE DETERGENT OR CHEMICALS \* AVOID CONTACT WITH WATER AND  
DIRECT SUNLIGHT \* TO BE ASSEMBLED ON A SOFT, DRY, CLEAN AND SMOOTH SURFACE \* DO NOT USE  
POWER DRILLS TO ASSEMBLE AS THIS MAY CAUSE DAMAGE TO THE PRODUCT IF OVER-TIGHTENED

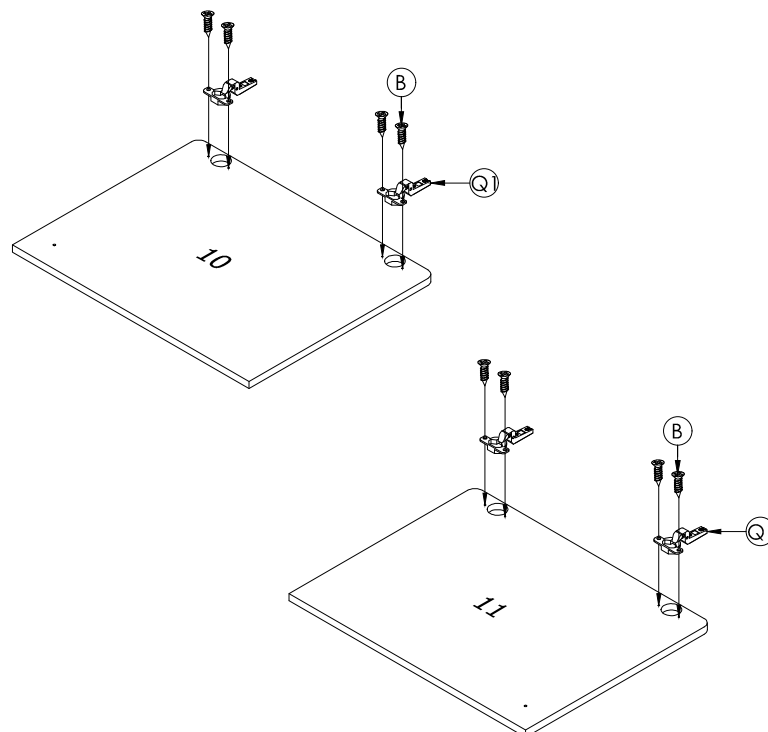
17



X X8



18



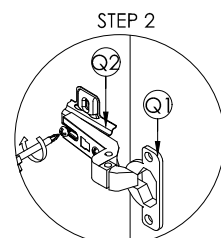
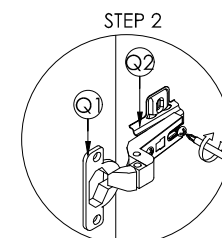
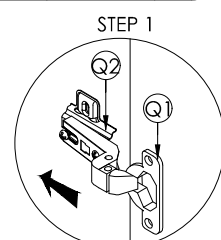
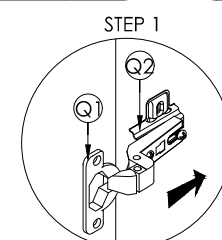
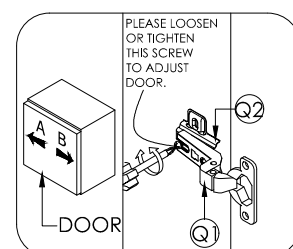
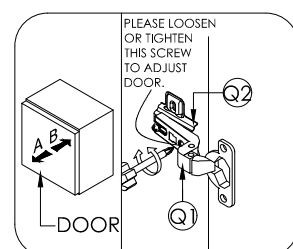
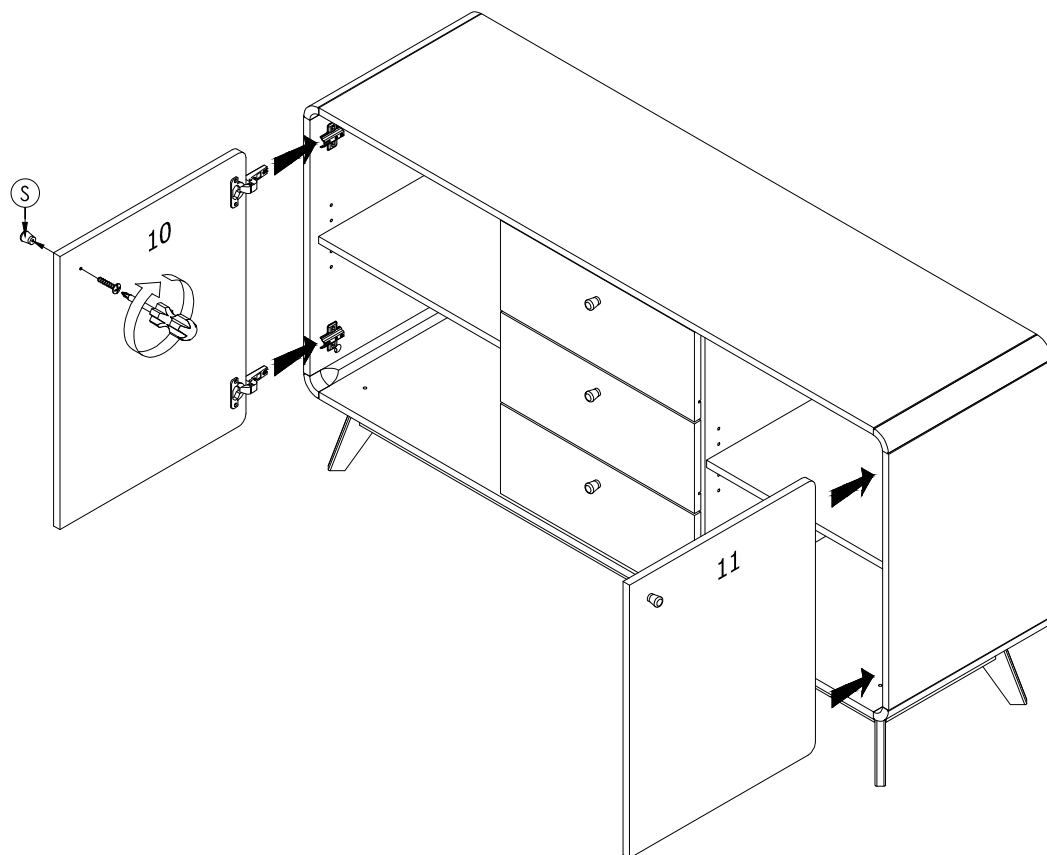
B X8



Q X4



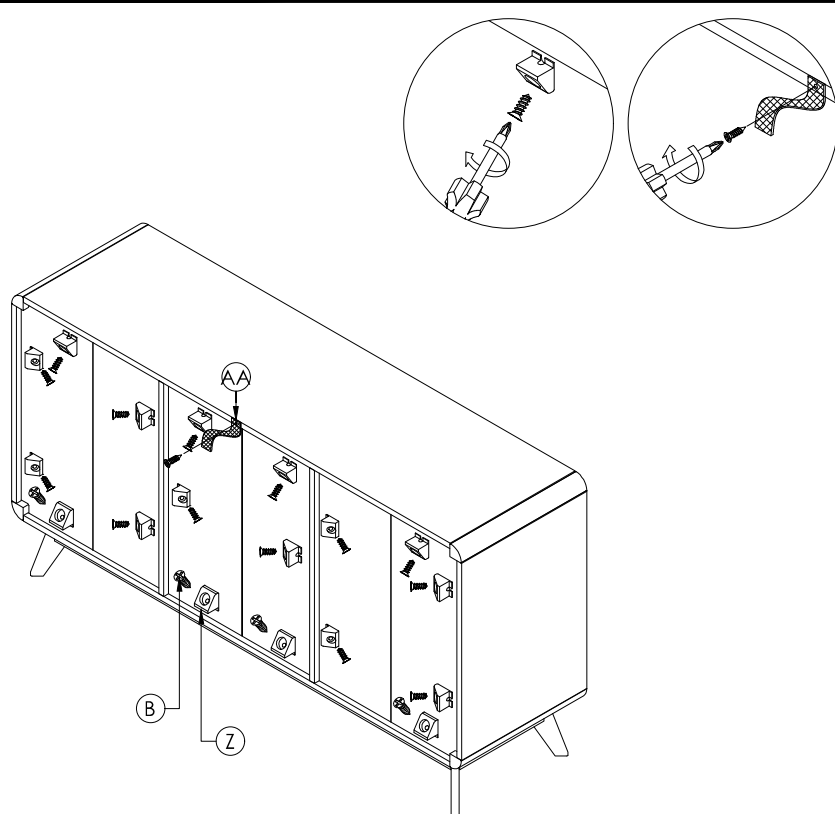
19



S X2



20



B X19



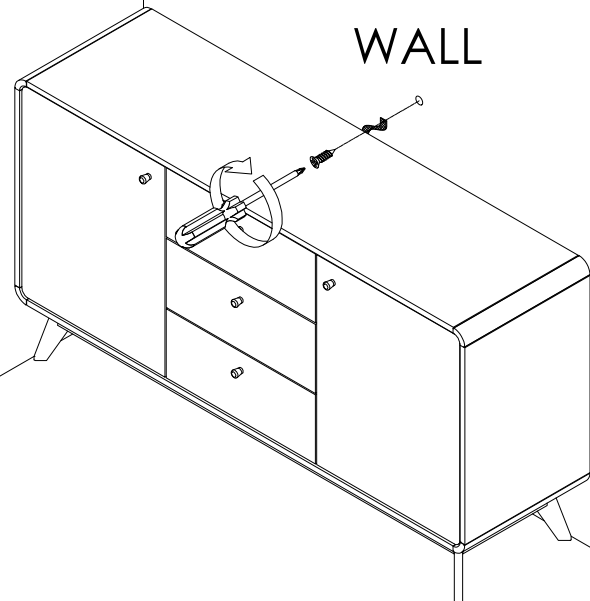
Z X18



AA X1



21



WALL

NOTE:  
WALL PLUG & SCREW ARE  
NOT SUPPLIED WITH THIS  
PRODUCT AS DIFFERENT WALL  
MATERIALS REQUIRE DIFFERENT  
TYPES OF FIXING HARDWARE &  
YOU MUST USE SUITABLE FIXING  
HARDWARE FOR TYPE OF WALL  
YOU INTEND TO MOUNT THIS  
PRODUCT TO WALL.