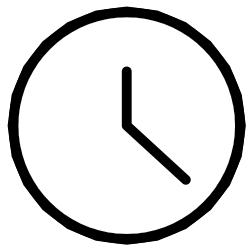
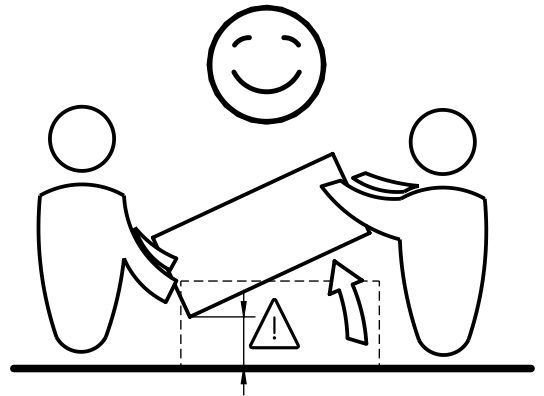
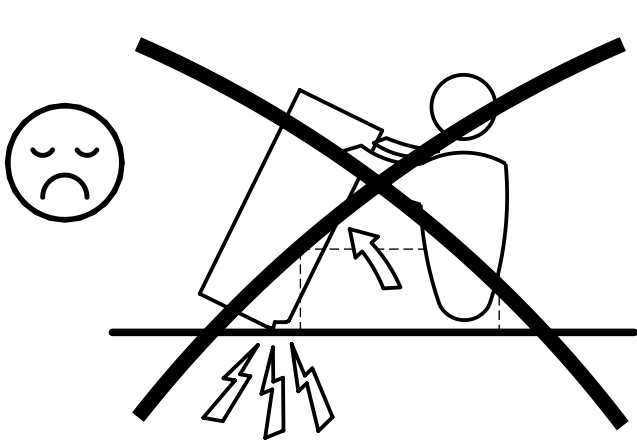
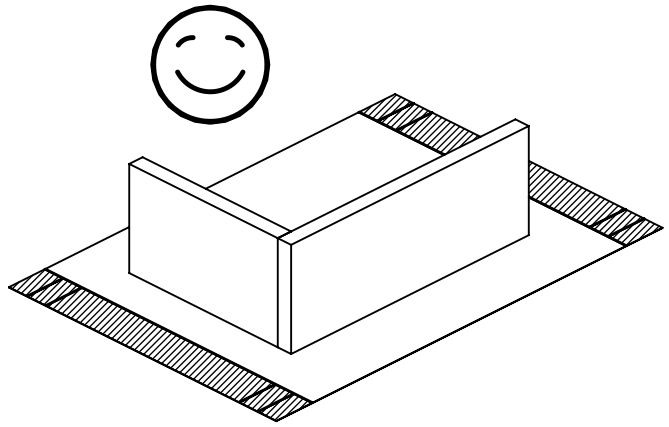
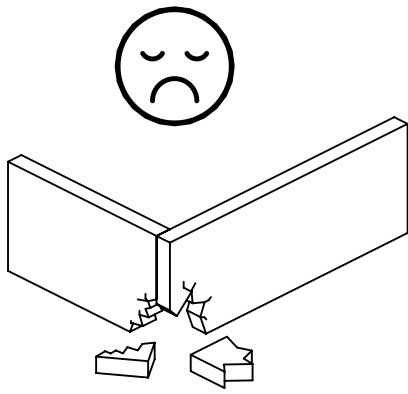
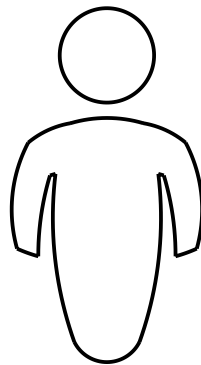


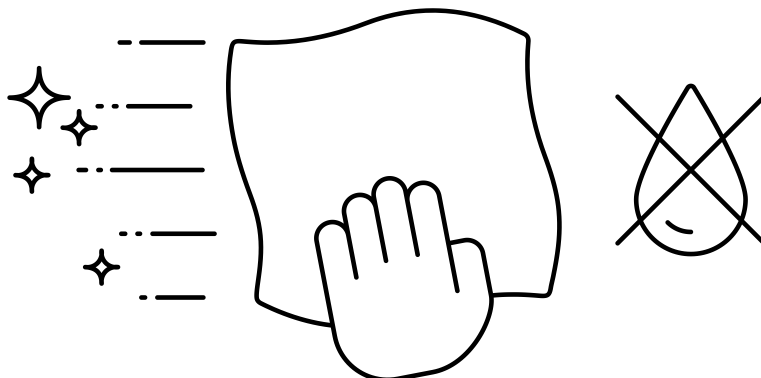
tvilum

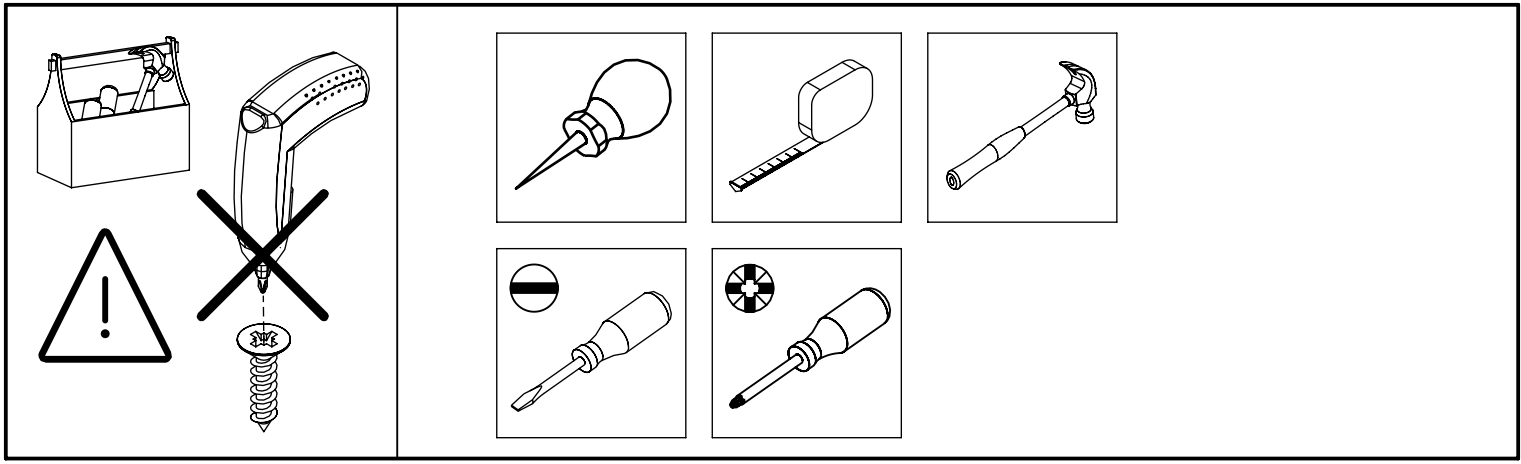


2-3 hr

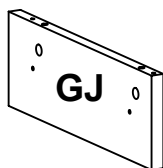
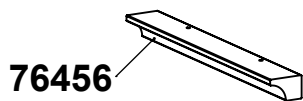
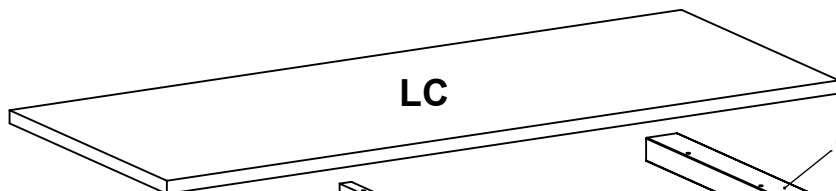
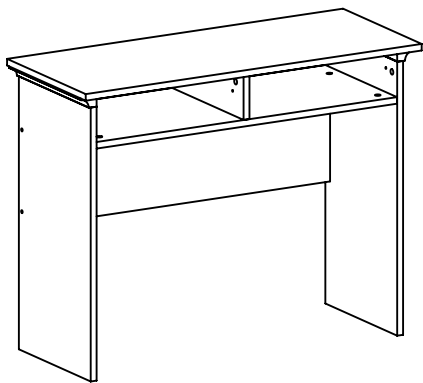


x2

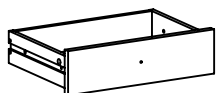
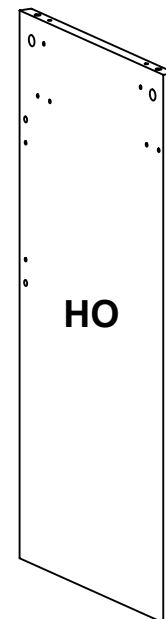
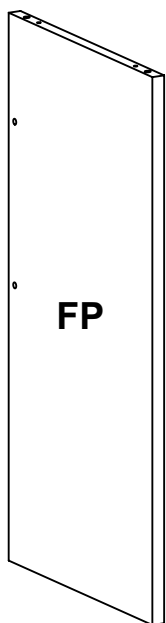
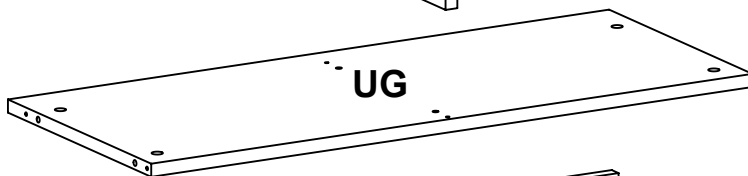




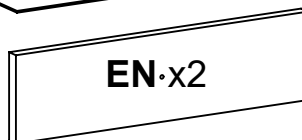
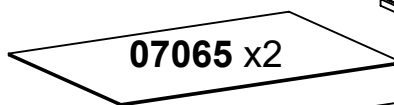
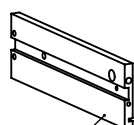
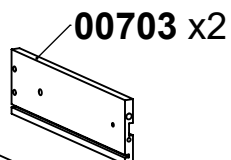
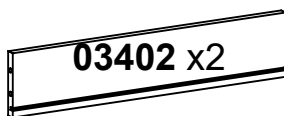
<p>0120203 <b>x20</b></p> <p>Ø0.2x1.18" Ø5x30 mm</p>	<p>0120228 <b>x8</b></p> <p>Ø0.25x1.57" Ø6,3x40 mm</p>	<p>0122005 <b>x4</b></p> <p>Ø0.55/Ø0.35x0.61" Ø14/Ø9x15,5 mm</p>	<p>0125233 <b>x8</b></p> <p>Ø0.14x0.59" Ø3,5x15 mm</p>	<p>0125604 <b>x4</b></p> <p>Ø0.2x1.5" Ø5x38 mm</p>
<p>0125610 <b>x2</b></p> <p>Ø0.28x1.97" Ø7x50 mm</p>	<p>0126020 <b>x8</b></p> <p>Ø0.23x0.35" Ø5,8x9 mm</p>	<p>0126214 <b>x4</b></p> <p>M4x0.35" M4x9 mm</p>	<p>0126230 <b>x2</b></p> <p>M4x0.87" M4x22 mm</p>	<p>0131513 <b>x14</b></p> <p>Ø0.30x1.73/1.34" Ø7,5x44/34 mm</p>
<p>0131561 <b>x4</b></p> <p>Ø0.28x2.02" Ø7x51,3 mm</p>	<p>0131687 <b>x18</b></p> <p>Ø0.59x0.37" Ø15x9,5 mm</p>	<p>0141404 <b>x4</b></p> <p>0.67x12.20/12.20" 17x310/310 mm</p>	<p>0162403 <b>x4</b></p> <p>M6x0.79" M6x20 mm</p>	<p>0181009 <b>x2</b></p> <p>Ø1.1x0.83" Ø28x21 mm</p>
<p>0197642 <b>x1</b></p> <p>0.16x1.93x1.46" 4x49x37 mm</p>				

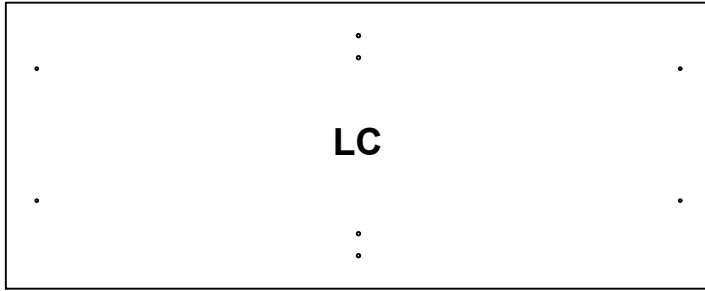


76457

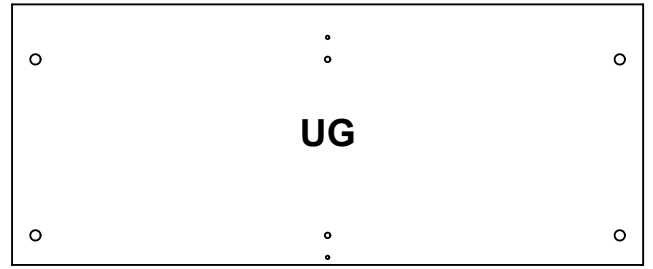


x2

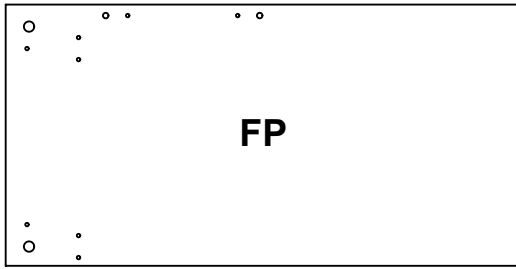




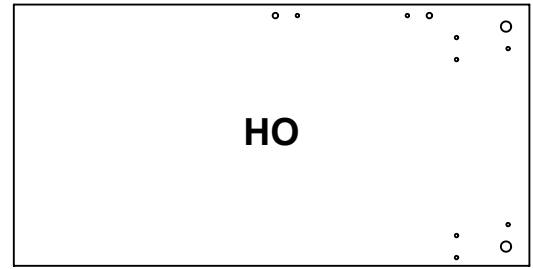
1026x416x18mm



918x379x18mm



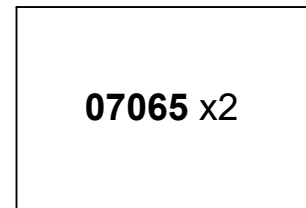
750x380x18mm



750x380x18mm



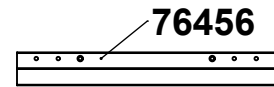
918x295x18mm



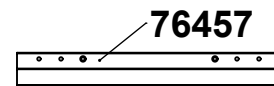
428x297x2,5mm



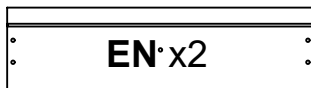
129x378x18mm



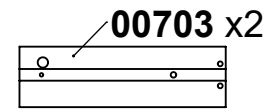
380x48x32mm



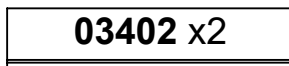
380x48x32mm



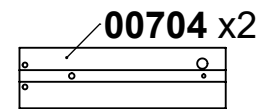
446x121x18mm



300x88x12,2mm



417x88x12,2mm

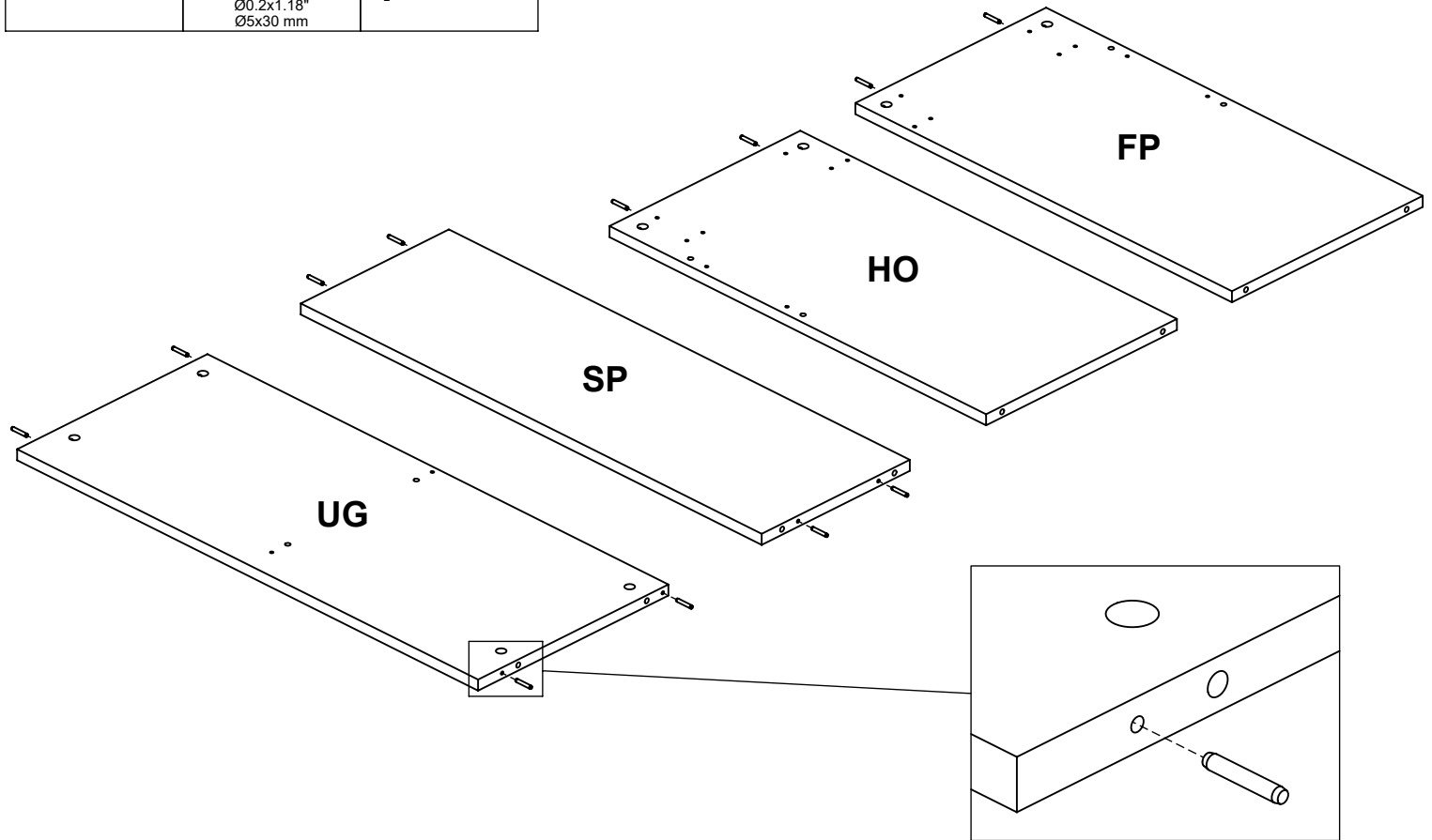


300x88x12,2mm

**1**

0120203 **x12**

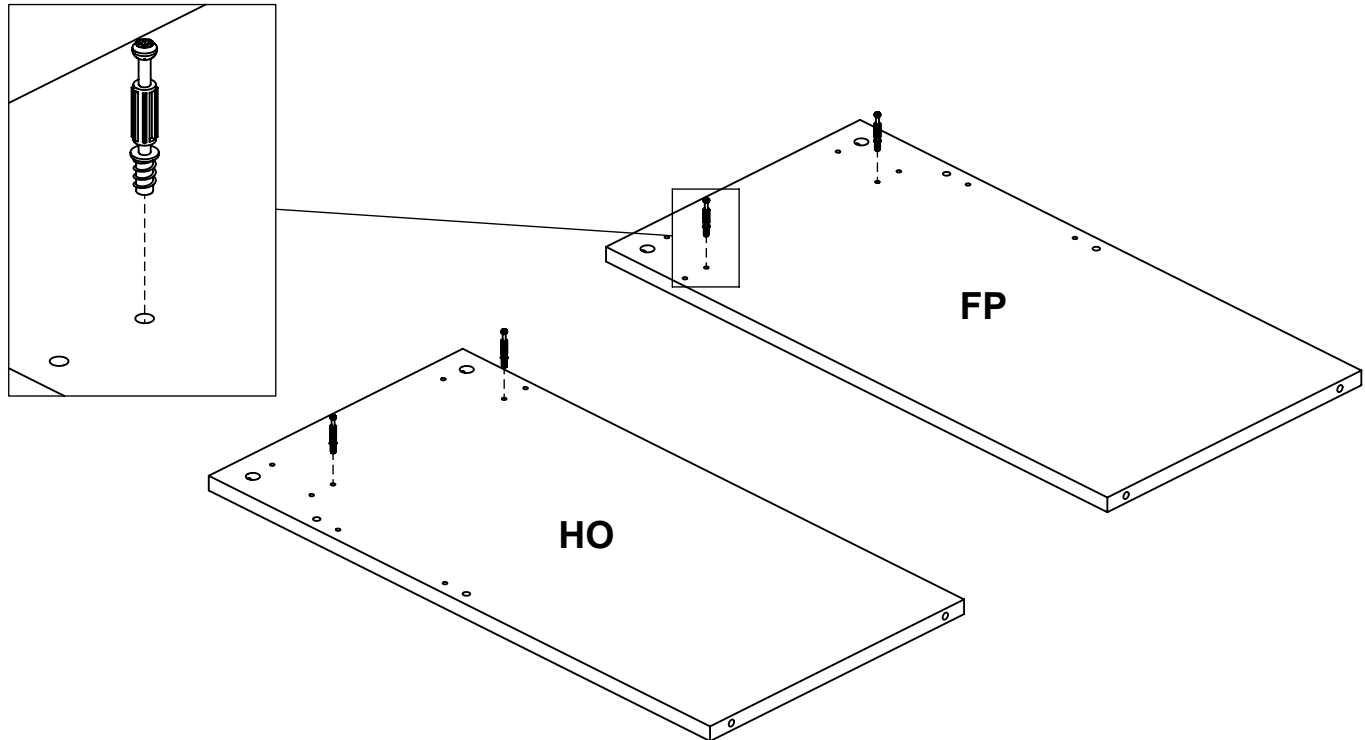
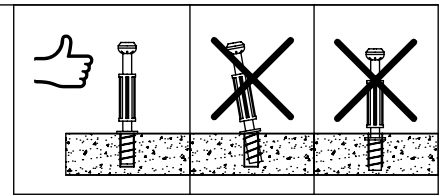
Ø0.2x1.18"  
Ø5x30 mm



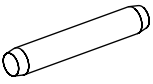


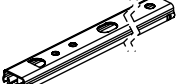


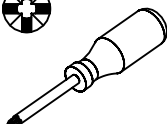
**2**

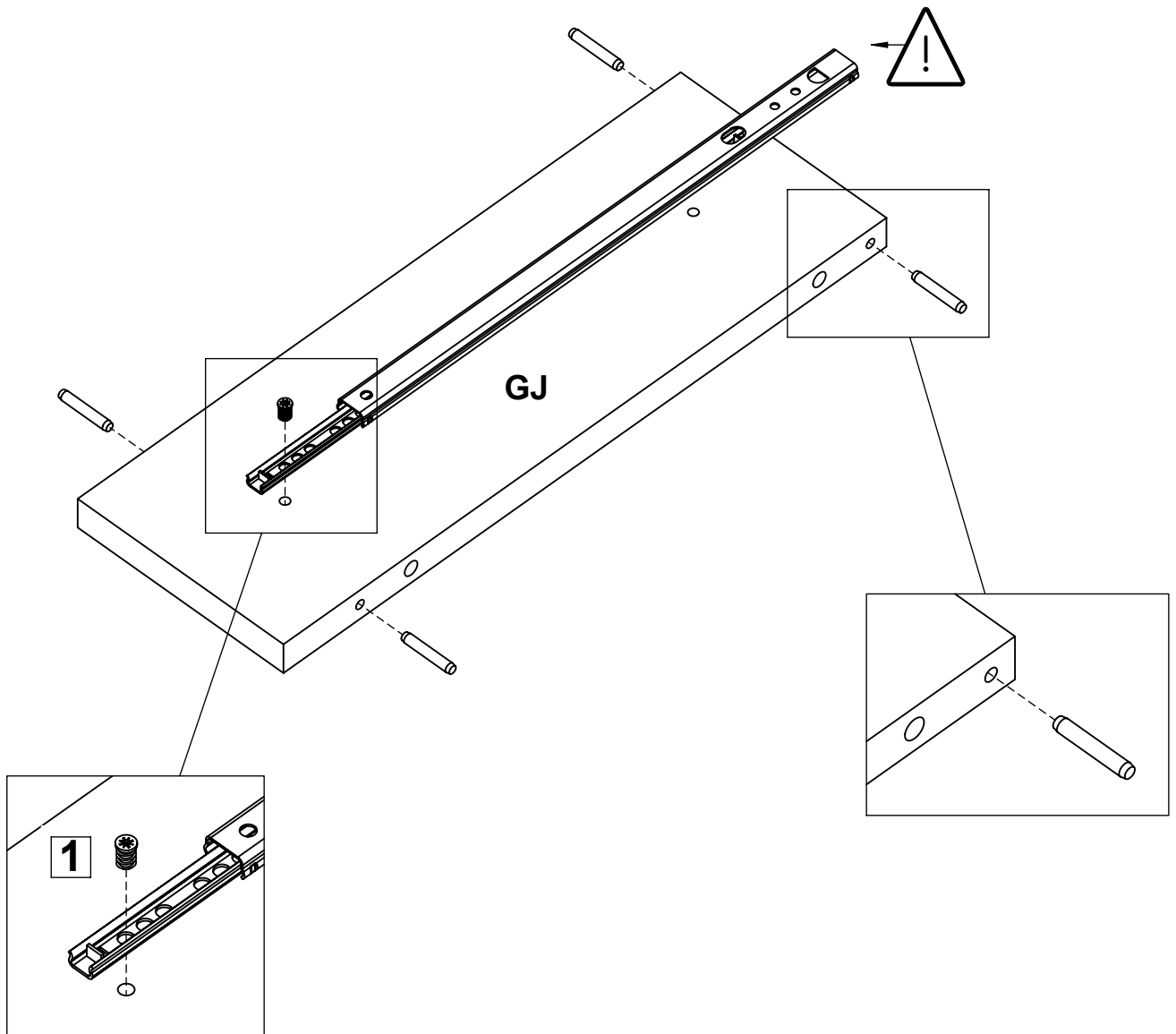
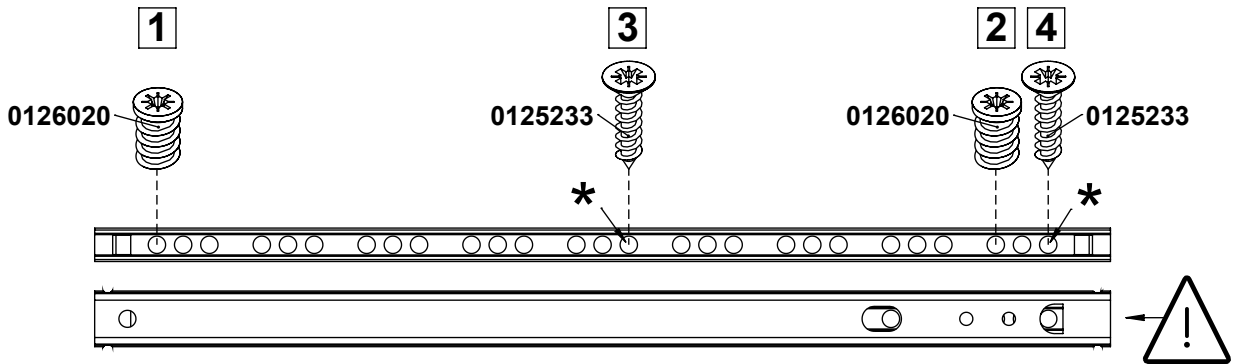
0131513 **x4**

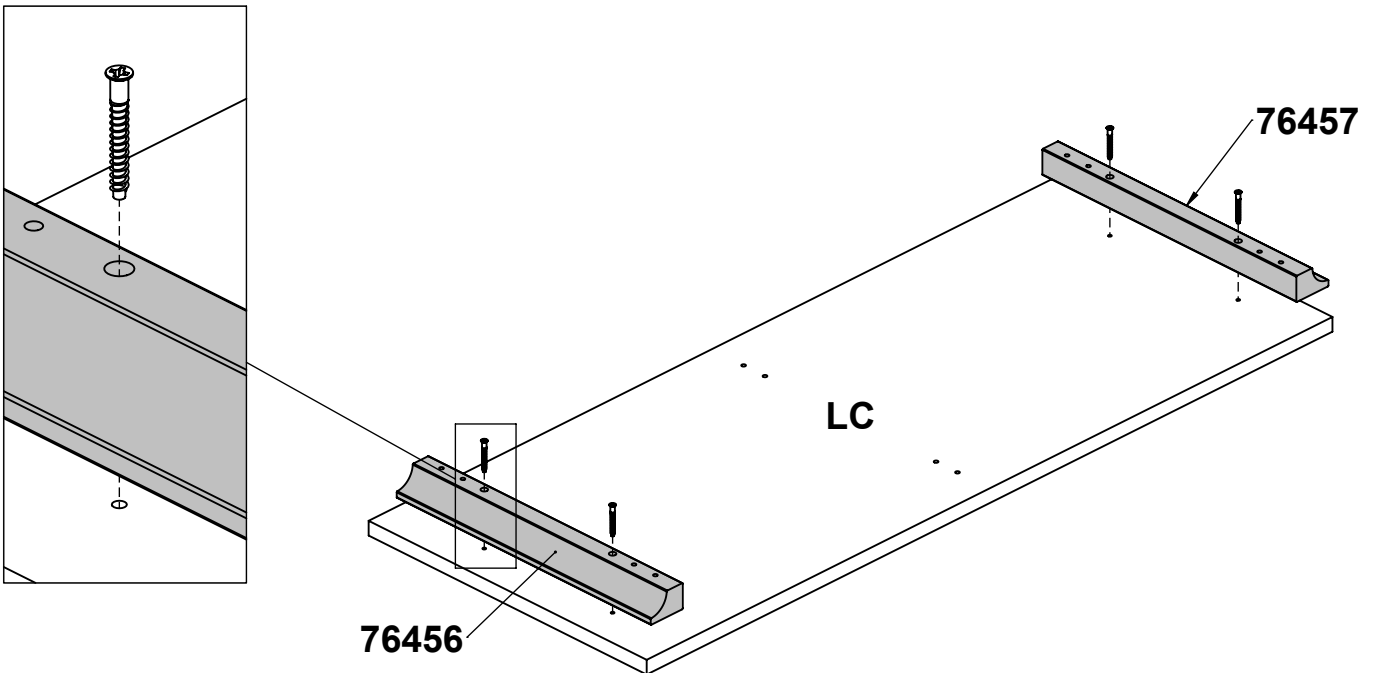
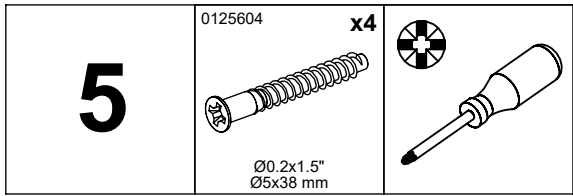
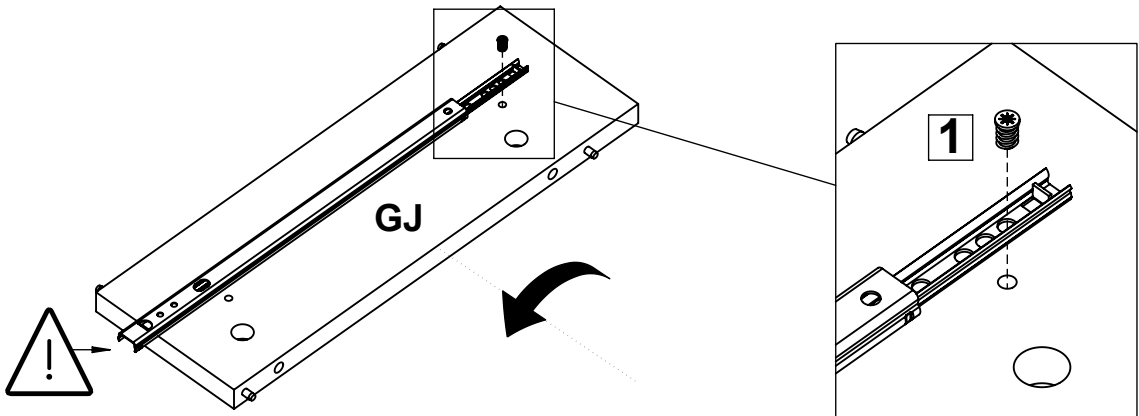
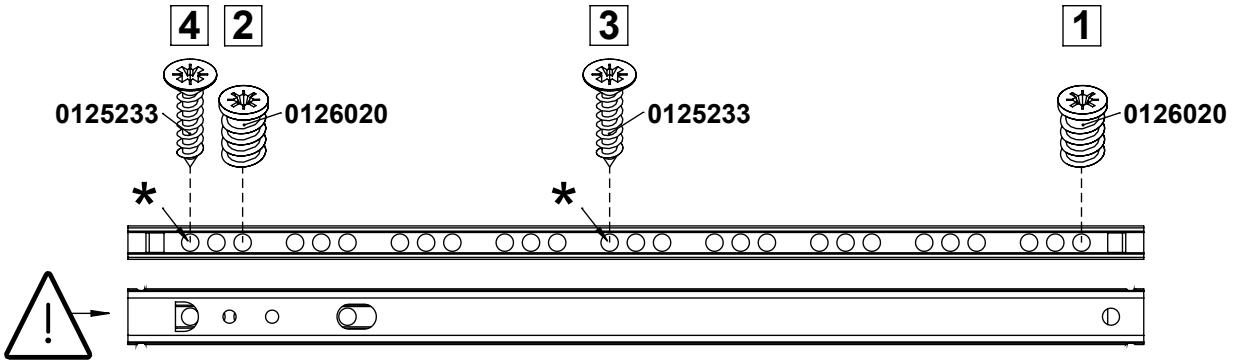
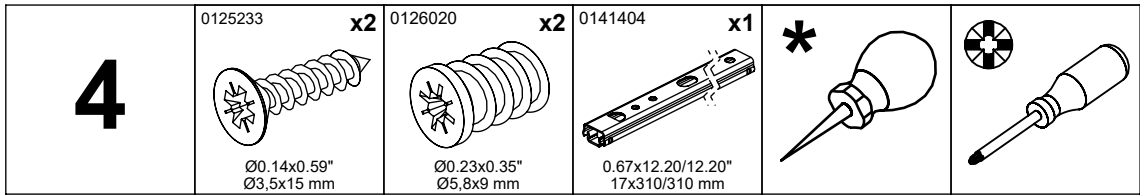
Ø0.30x1.73/1.34"  
Ø7.5x44/34 mm



# 3

0120203 <b>x4</b>  Ø0.2x1.18" Ø5x30 mm	0125233 <b>x2</b>  Ø0.14x0.59" Ø3.5x15 mm	0126020 <b>x2</b>  Ø0.23x0.35" Ø5.8x9 mm	0141404 <b>x1</b>  0.67x12.20/12.20" 17x310/310 mm	<b>*</b> 	 
---	--	---	---	---	--



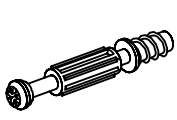




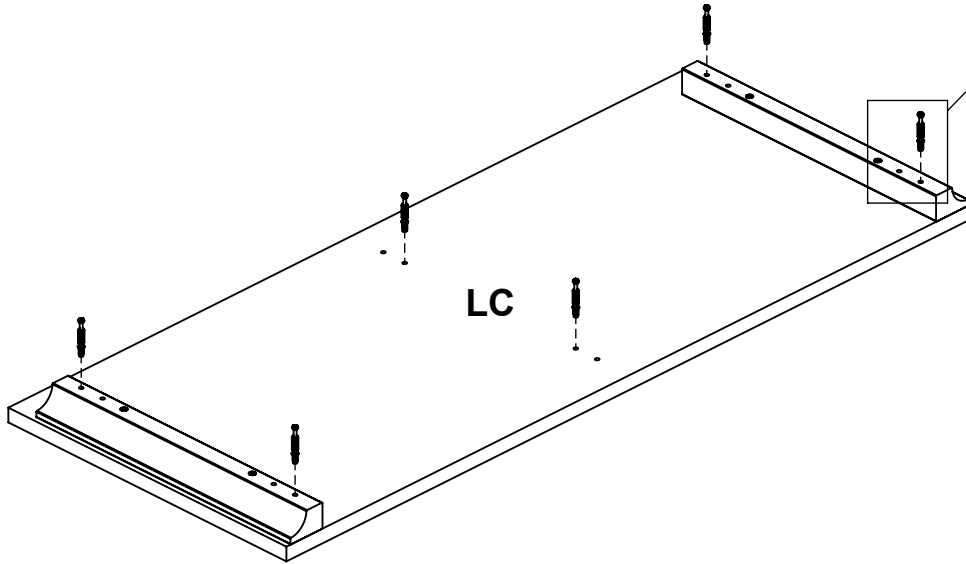
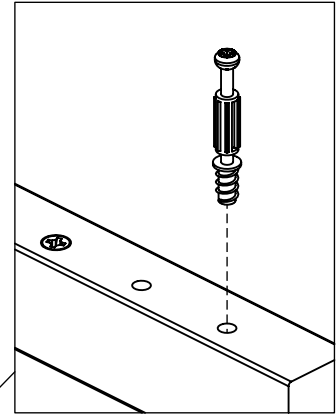
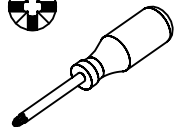
# 6

0131513

x6



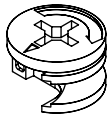
Ø0.30x1.73/1.34"  
Ø7,5x44/34 mm



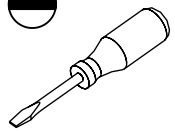
# 7

0131687

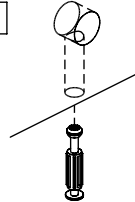
x2



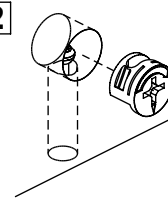
Ø0.59x0.37"  
Ø15x9,5 mm



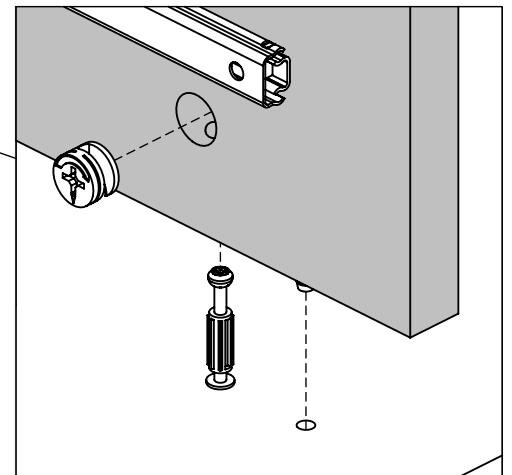
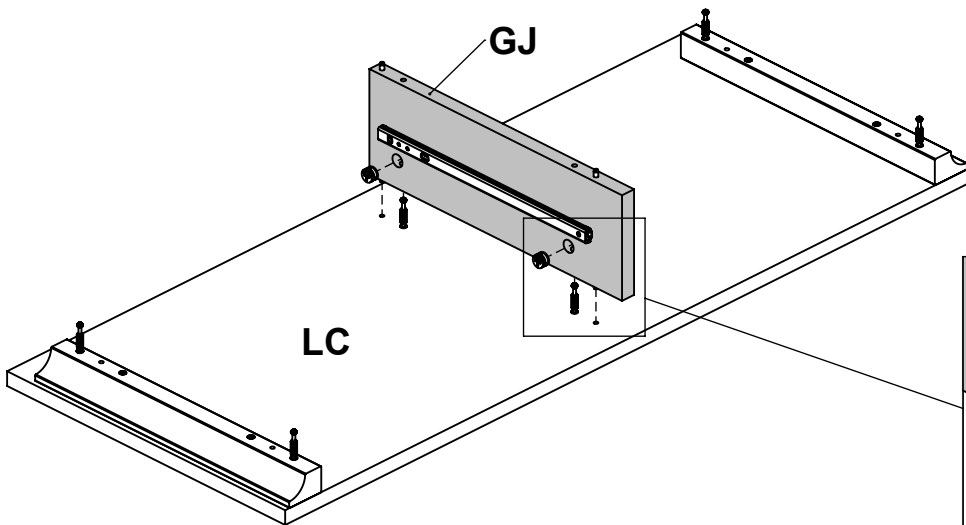
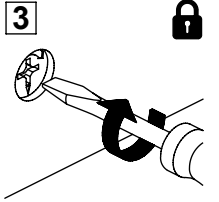
1

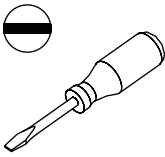
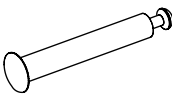
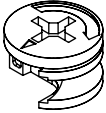


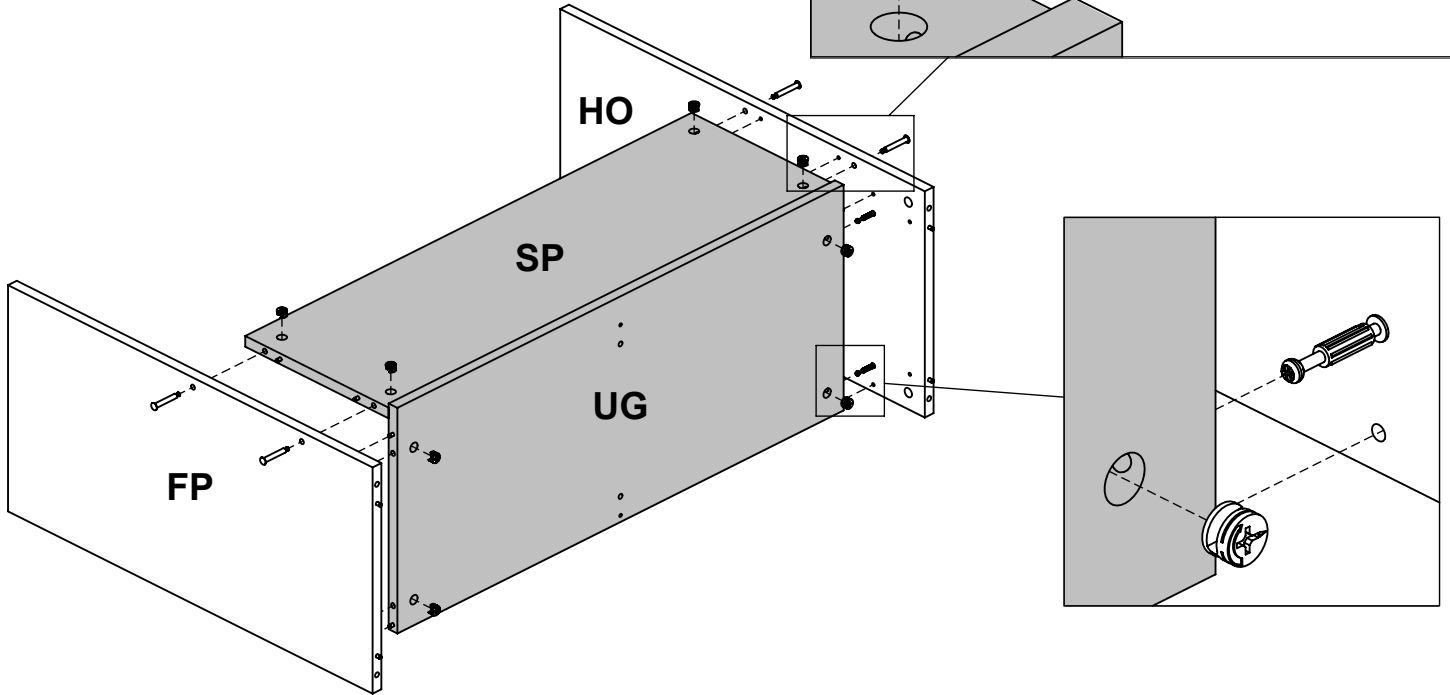
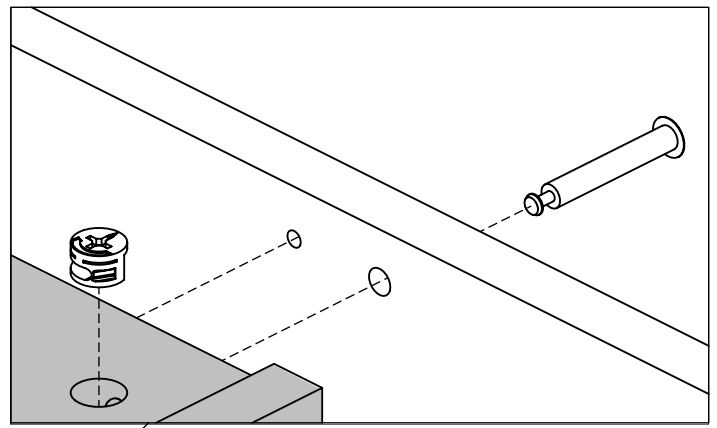
2

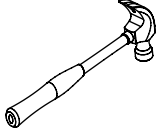
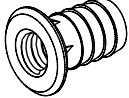


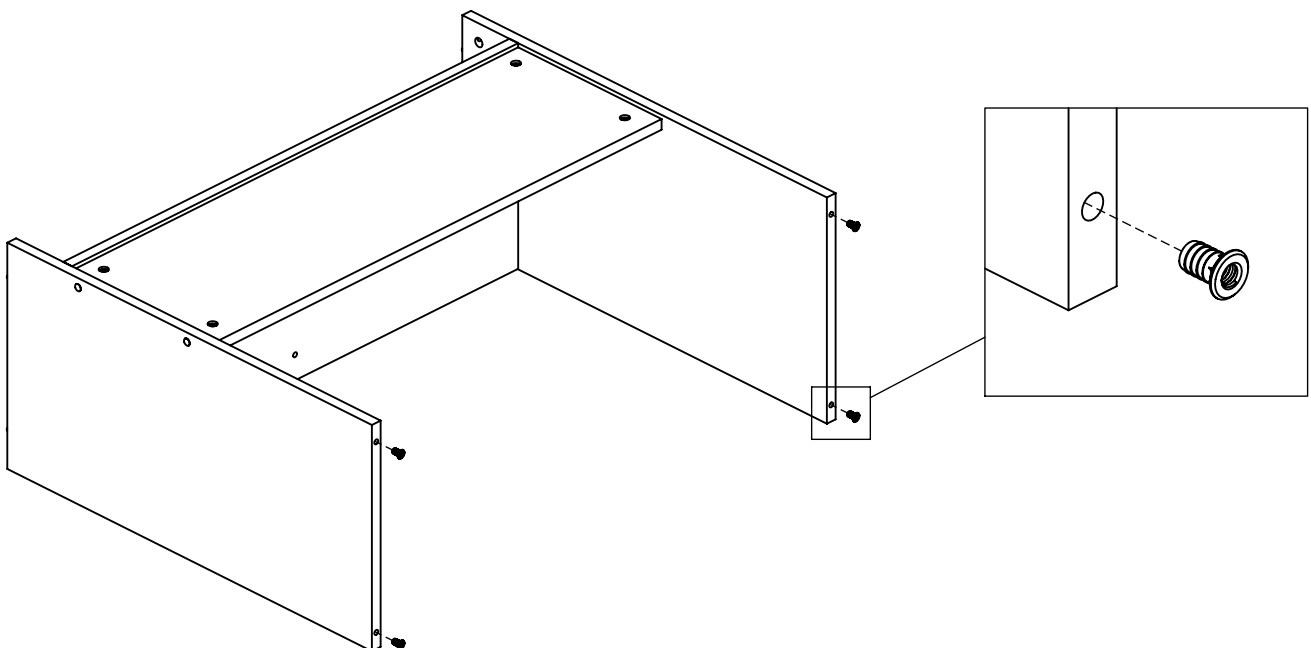
3



<b>8</b>	0131561 <b>x4</b>	0131687 <b>x8</b>	
	 $\varnothing 0.28 \times 2.02''$ $\varnothing 7 \times 51,3 \text{ mm}$	 $\varnothing 0.59 \times 0.37''$ $\varnothing 15 \times 9,5 \text{ mm}$	



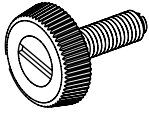
<b>9</b>	0122005 <b>x4</b>	
	 $\varnothing 0.55 / \varnothing 0.35 \times 0.61''$ $\varnothing 14 / \varnothing 9 \times 15,5 \text{ mm}$	



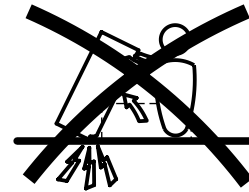
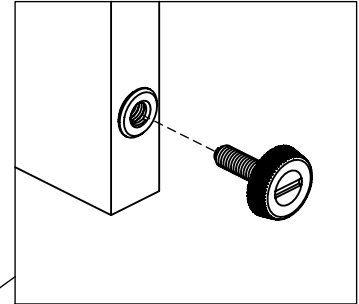
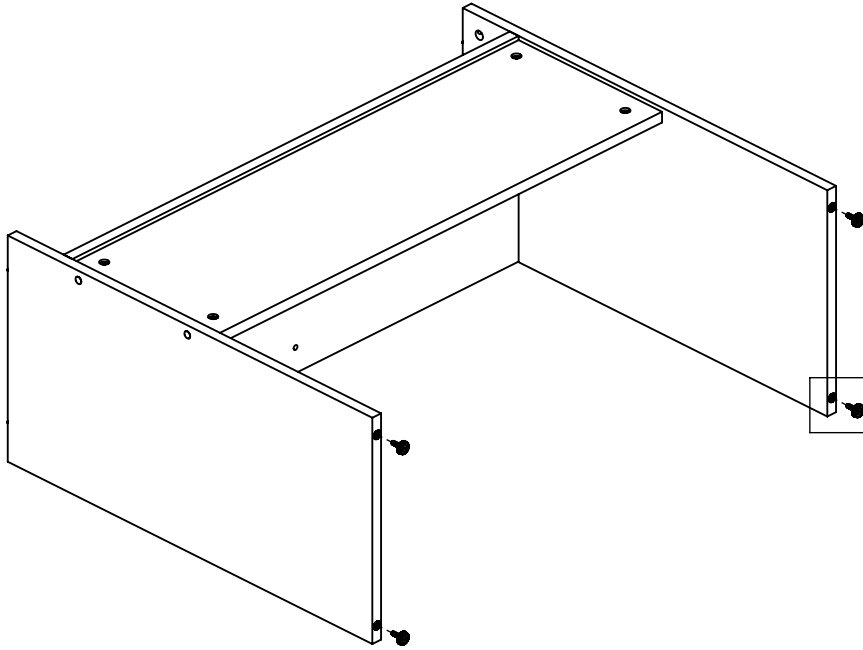
# 10

0162403

x4



M6x0.79"  
M6x20 mm

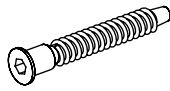


12 /20

# 11

0125610

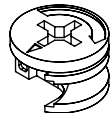
x2



Ø0.28x1.97"  
Ø7x50 mm

0131687

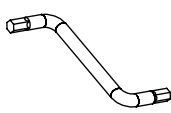
x4



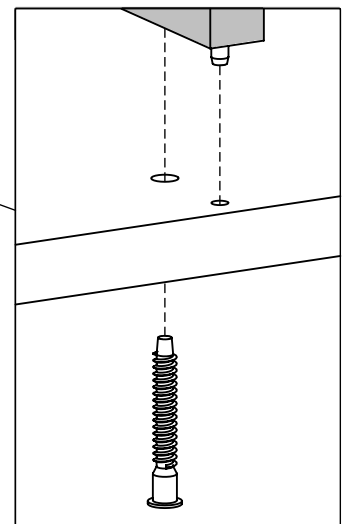
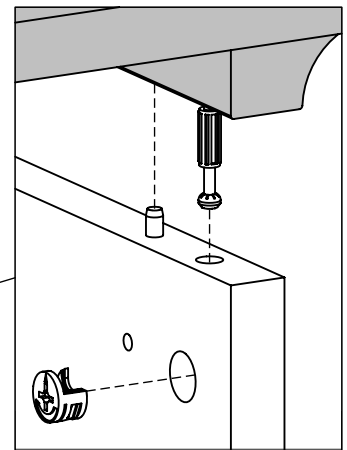
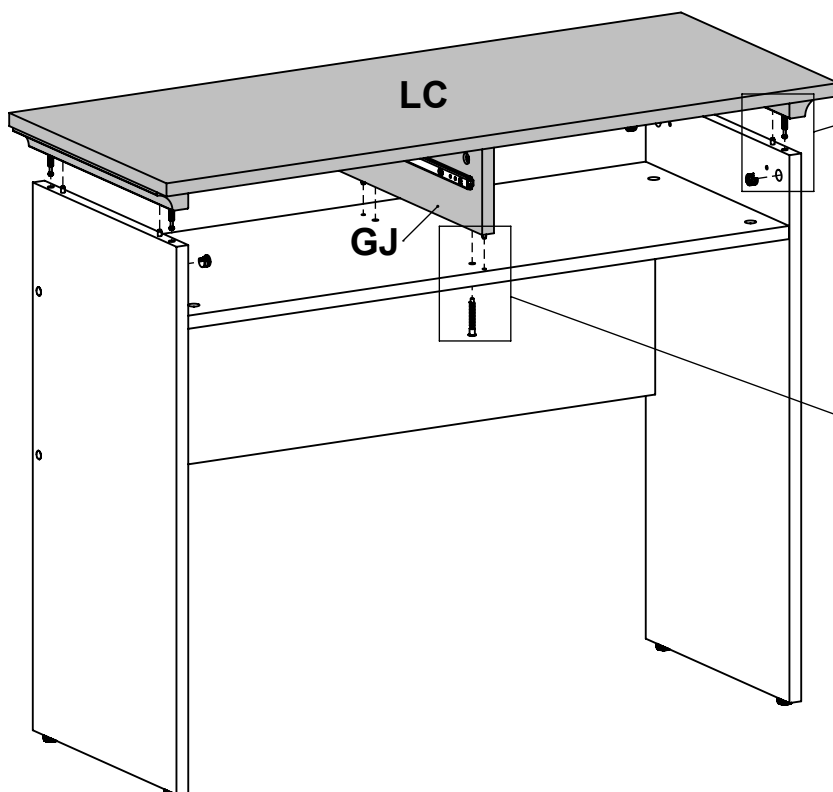
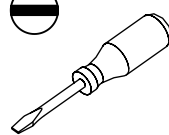
Ø0.59x0.37"  
Ø15x9,5 mm

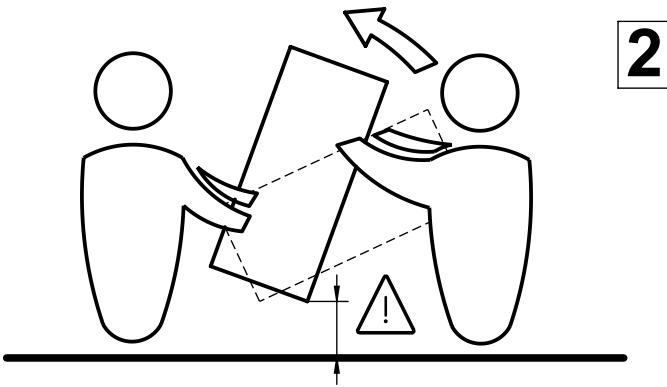
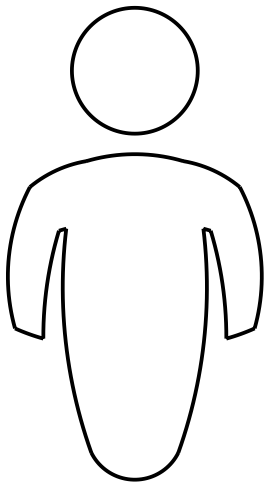
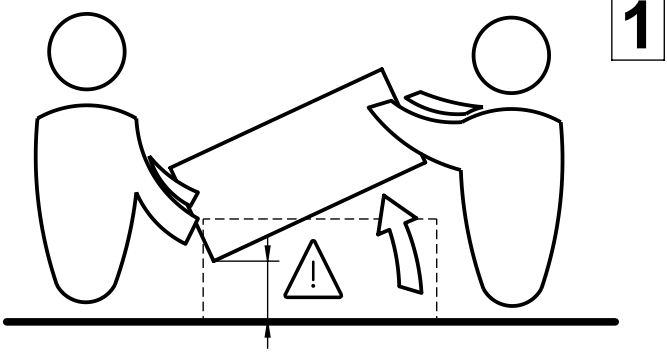
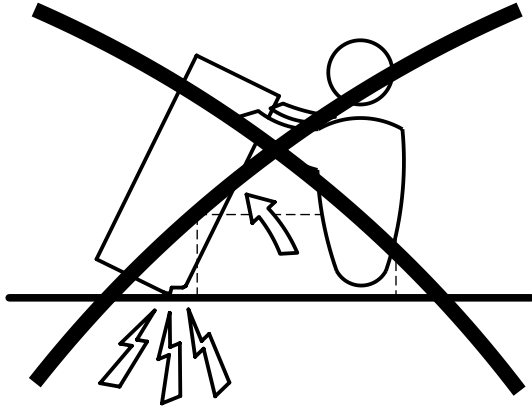
0197642

x1

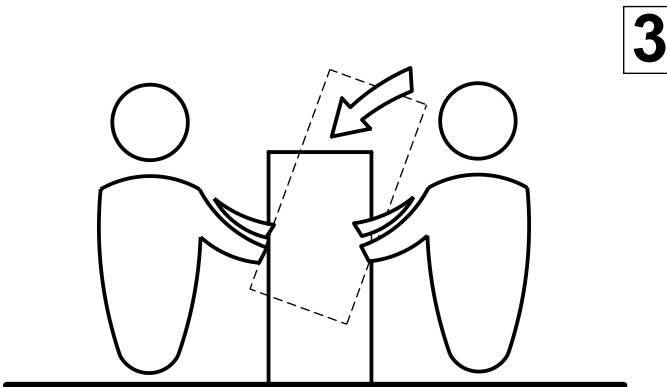


0.16x1.93x1.46"  
4x49x37 mm





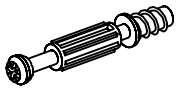
x2



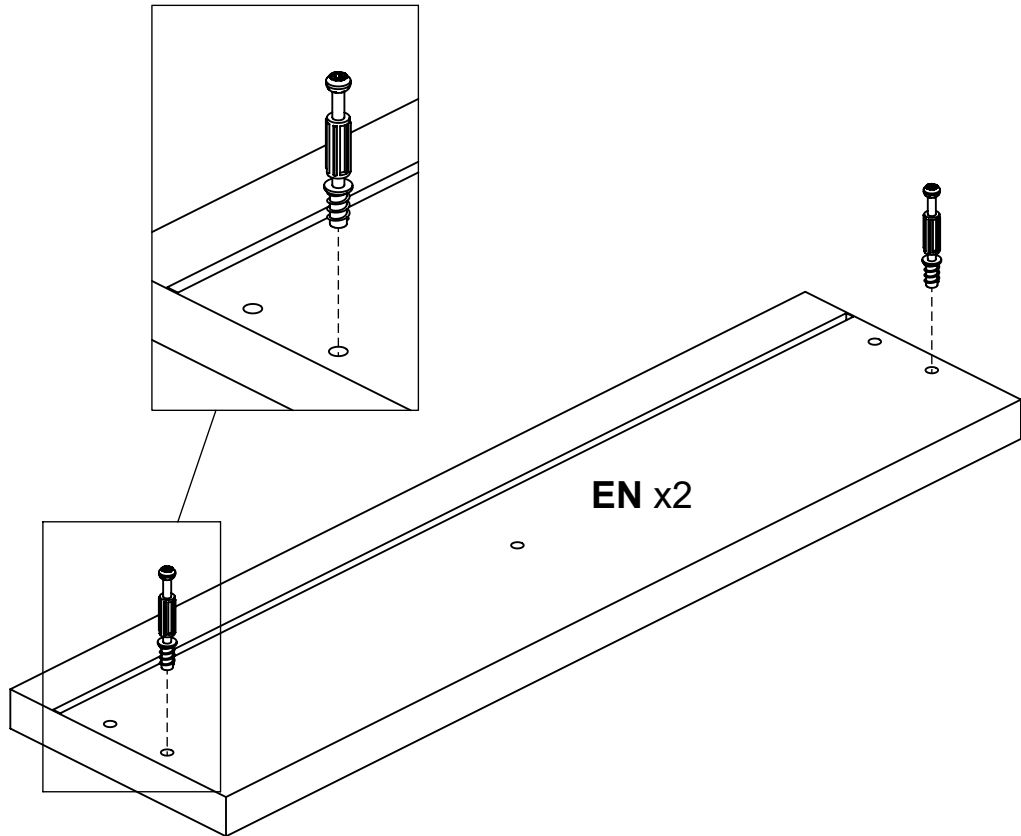
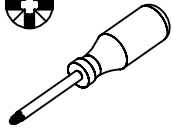
# 12

0131513

x4



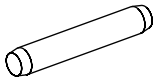
Ø0.30x1.73/1.34"  
Ø7,5x44/34 mm



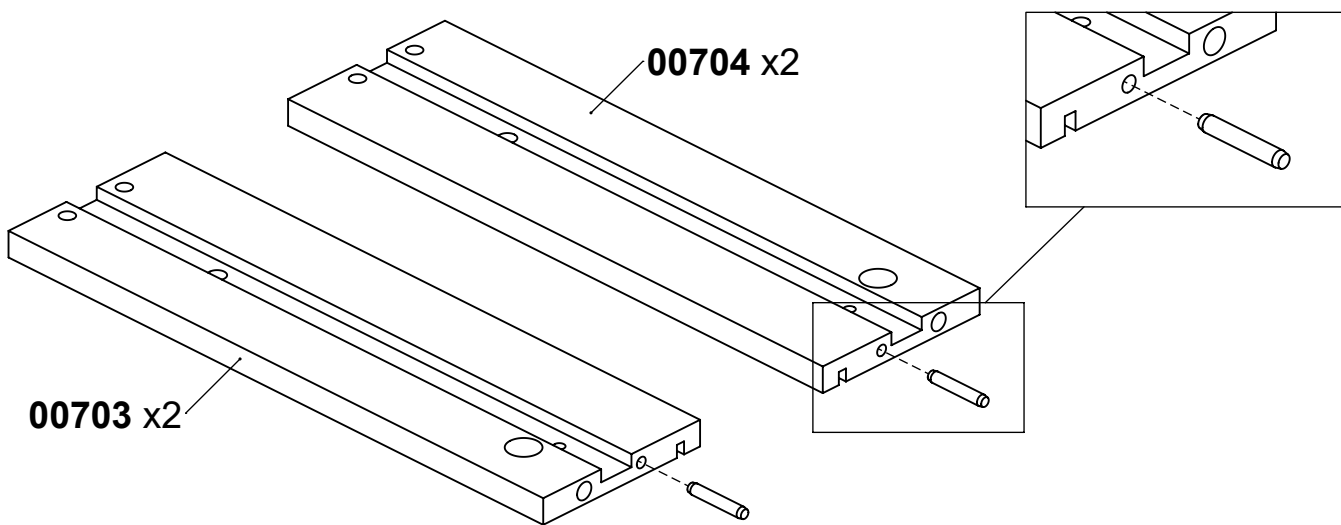
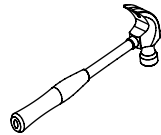
# 13

0120203

x4



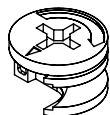
Ø0.2x1.18"  
Ø5x30 mm



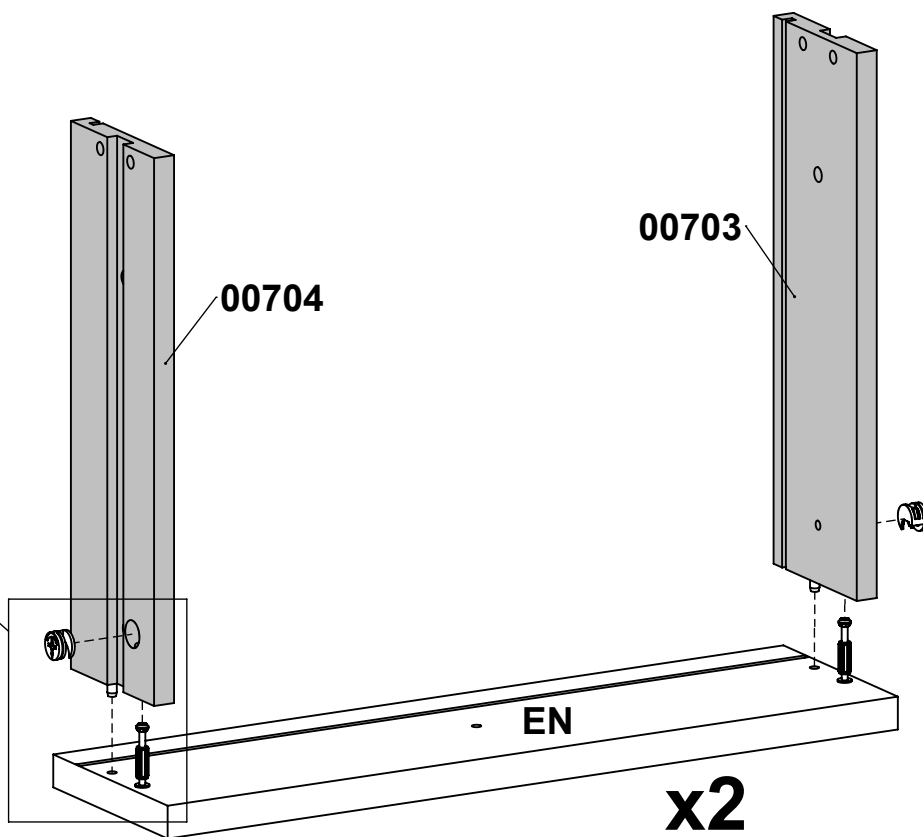
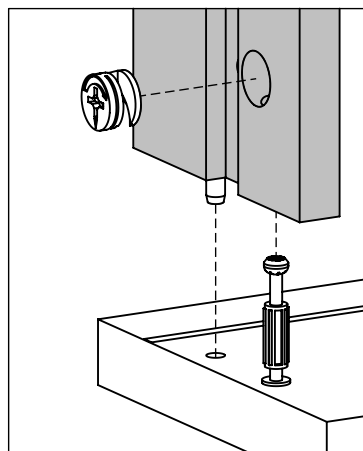
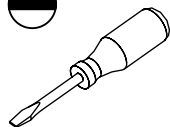
# 14

0131687

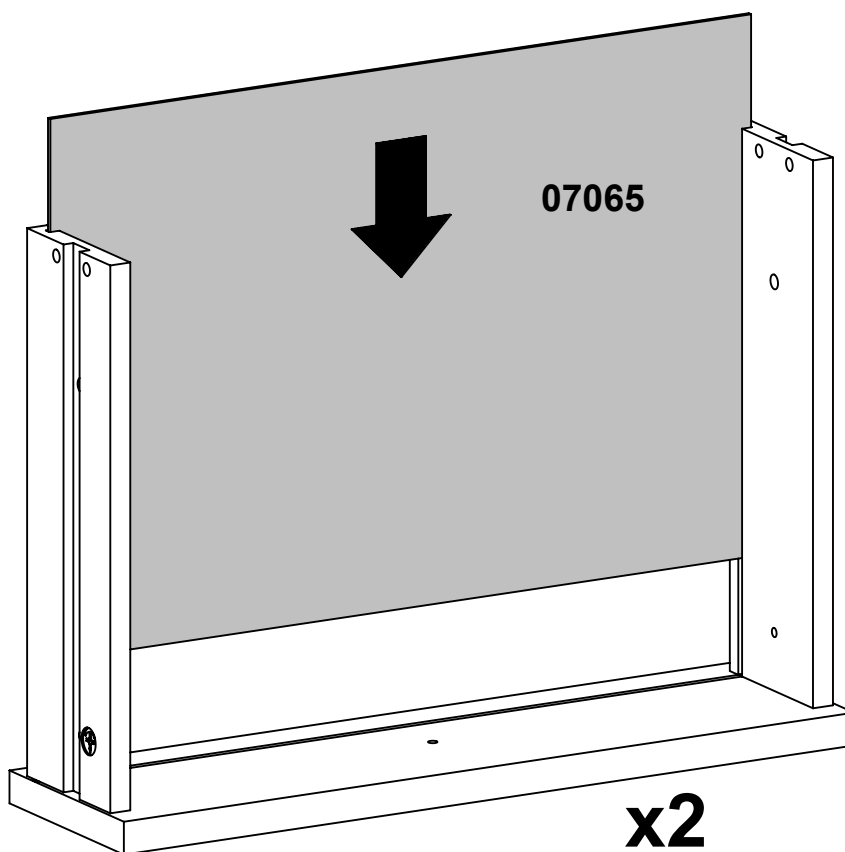
x4



Ø0.59x0.37"  
Ø15x9,5 mm



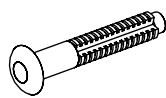
# 15



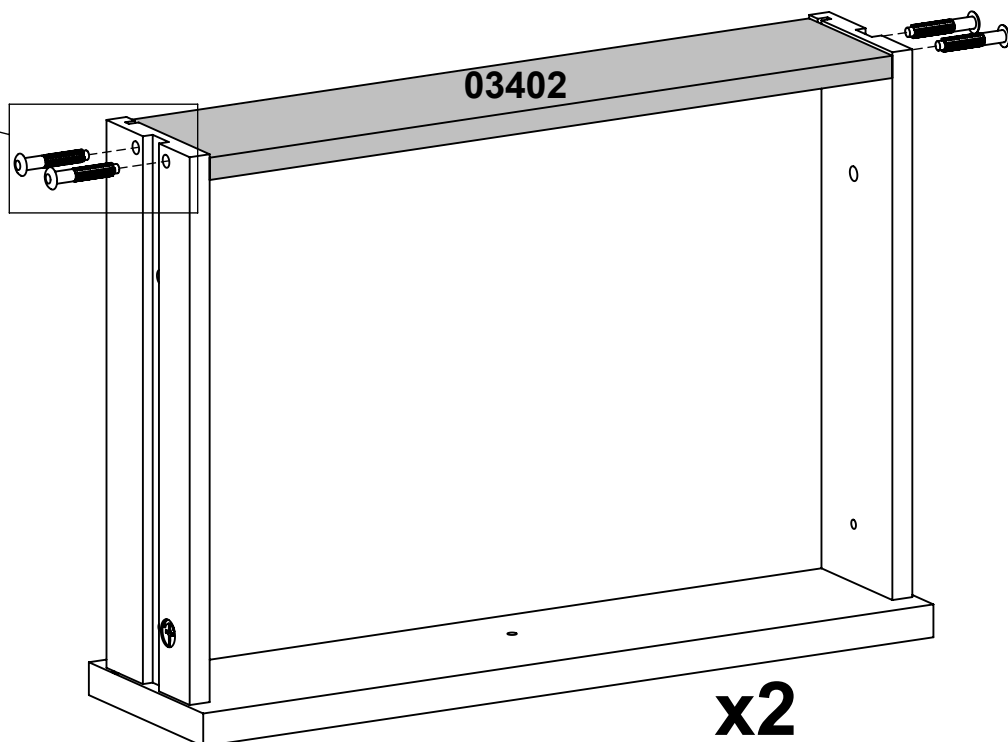
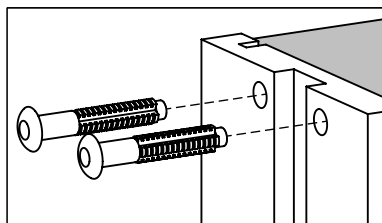
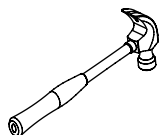
# 16

0120228

x8



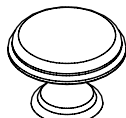
Ø0.25x1.57"  
Ø6.3x40 mm



# 17

0181009

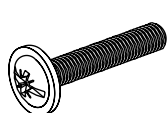
x2



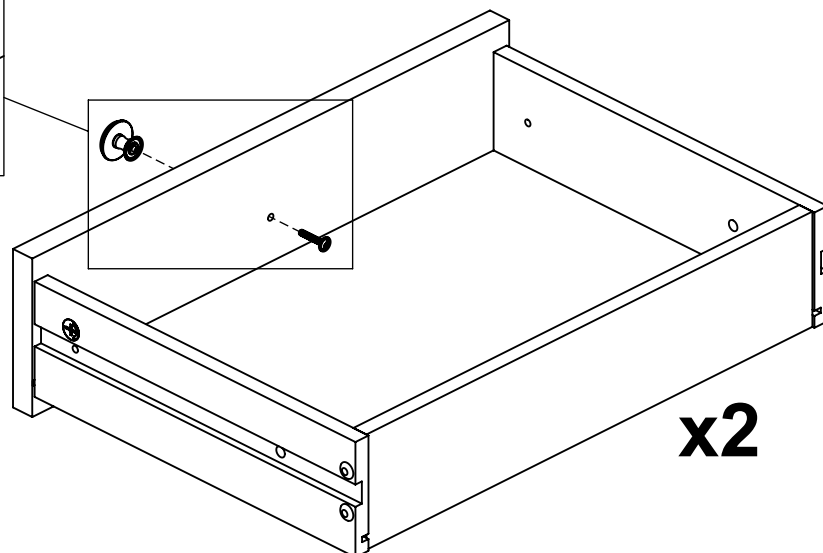
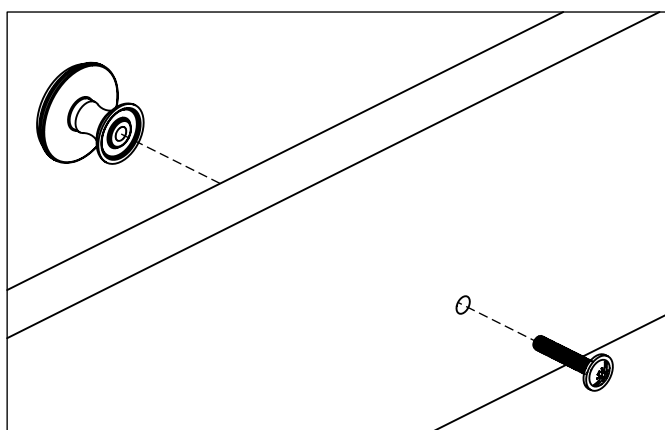
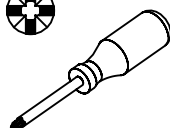
Ø1.1x0.83"  
Ø28x21 mm

0126230

x2



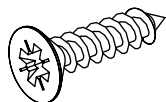
M4x0.87"  
M4x22 mm



# 18

0125233

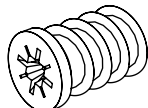
x2



Ø0.14x0.59"  
Ø3.5x15 mm

0126020

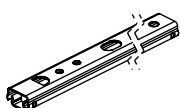
x2



Ø0.23x0.35"  
Ø5.8x9 mm

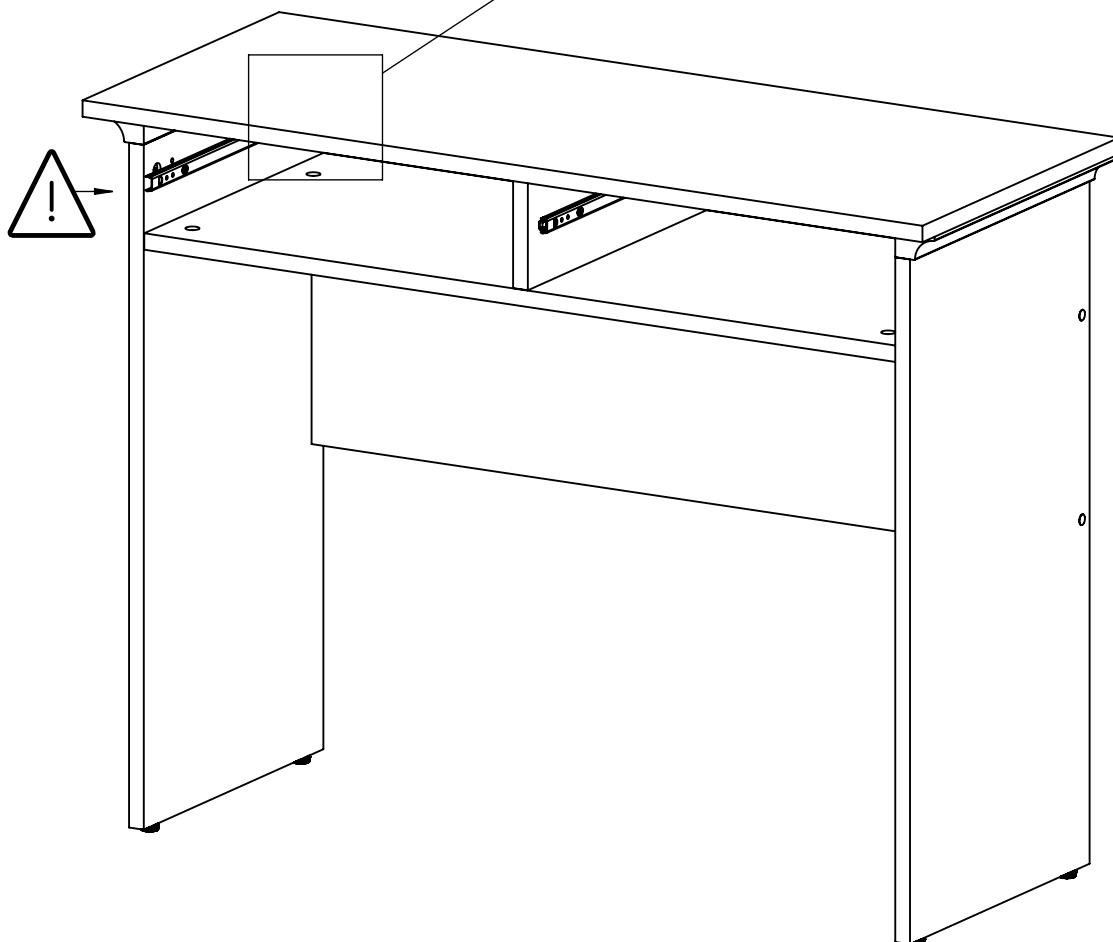
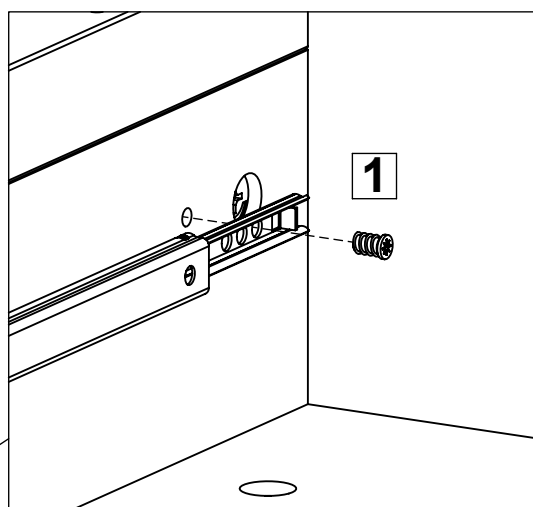
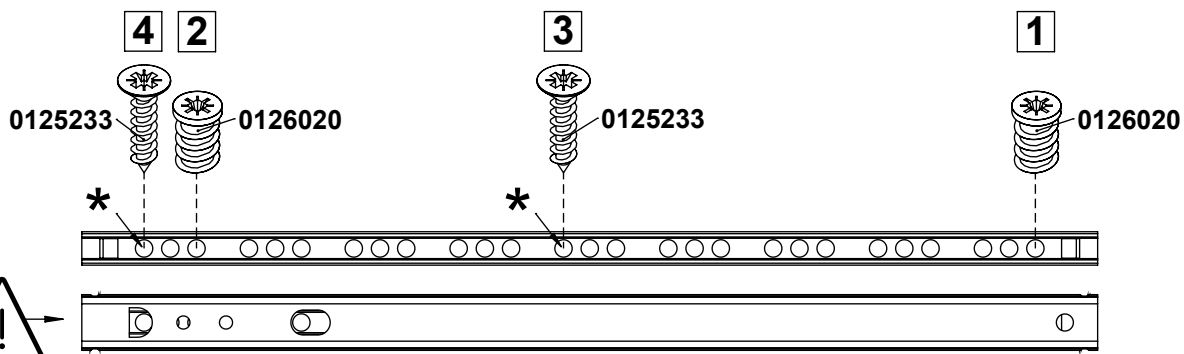
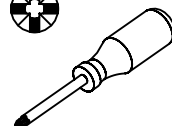
0141404

x1



0.67x12.20/12.20"  
17x310/310 mm

\*

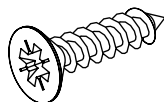




# 19

0125233

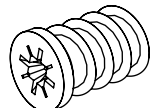
x2



Ø0.14x0.59"  
Ø3.5x15 mm

0126020

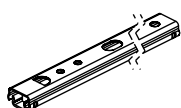
x2



Ø0.23x0.35"  
Ø5.8x9 mm

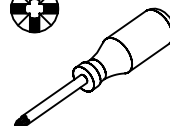
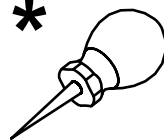
0141404

x1



0.67x12.20/12.20"  
17x310/310 mm

\*



1

0126020



3

0125233



\*

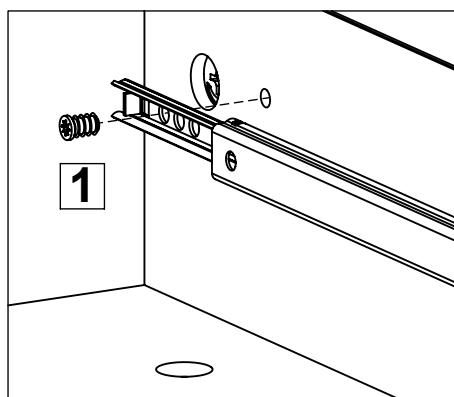
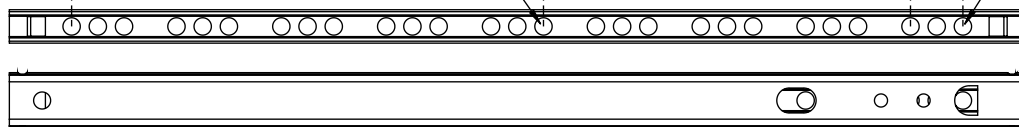
2

4

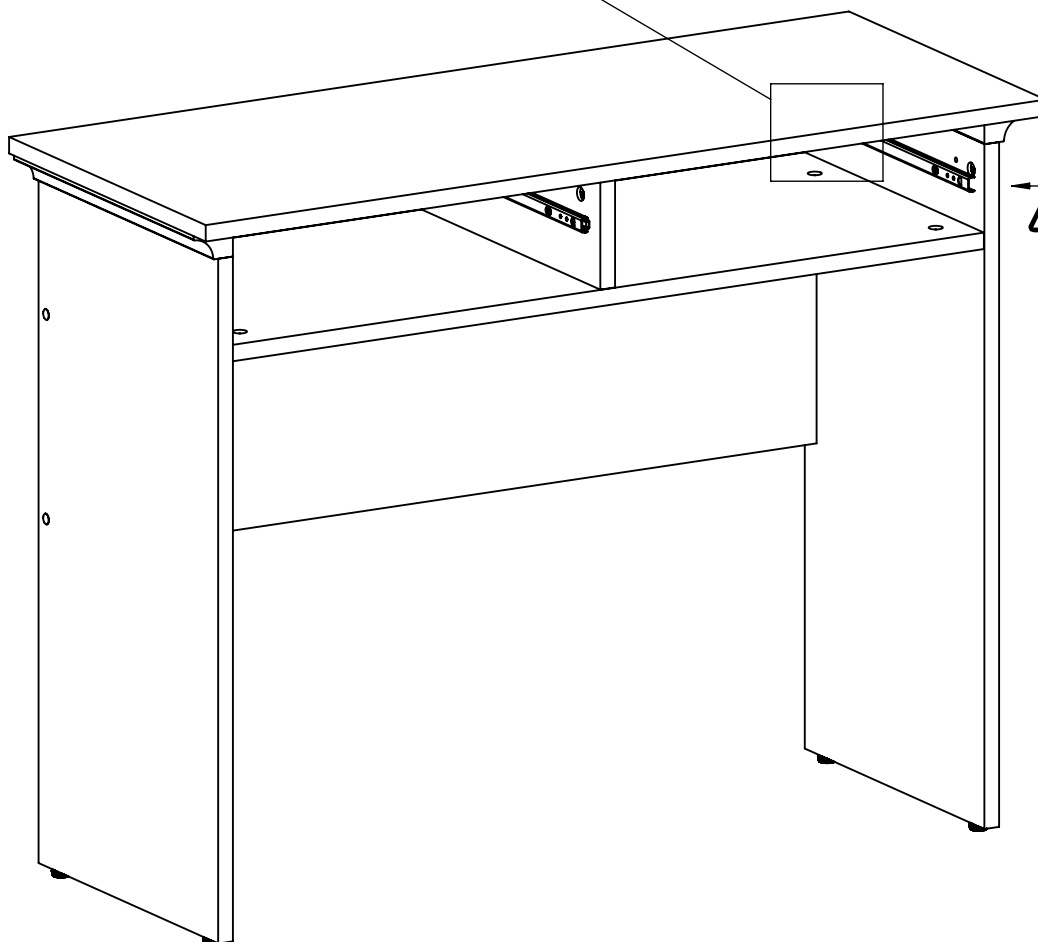
0126020

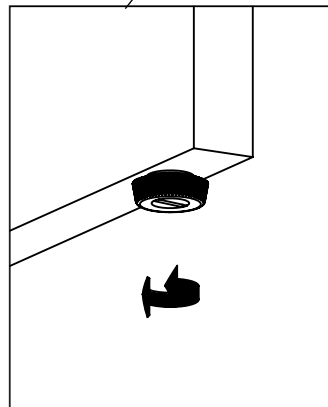
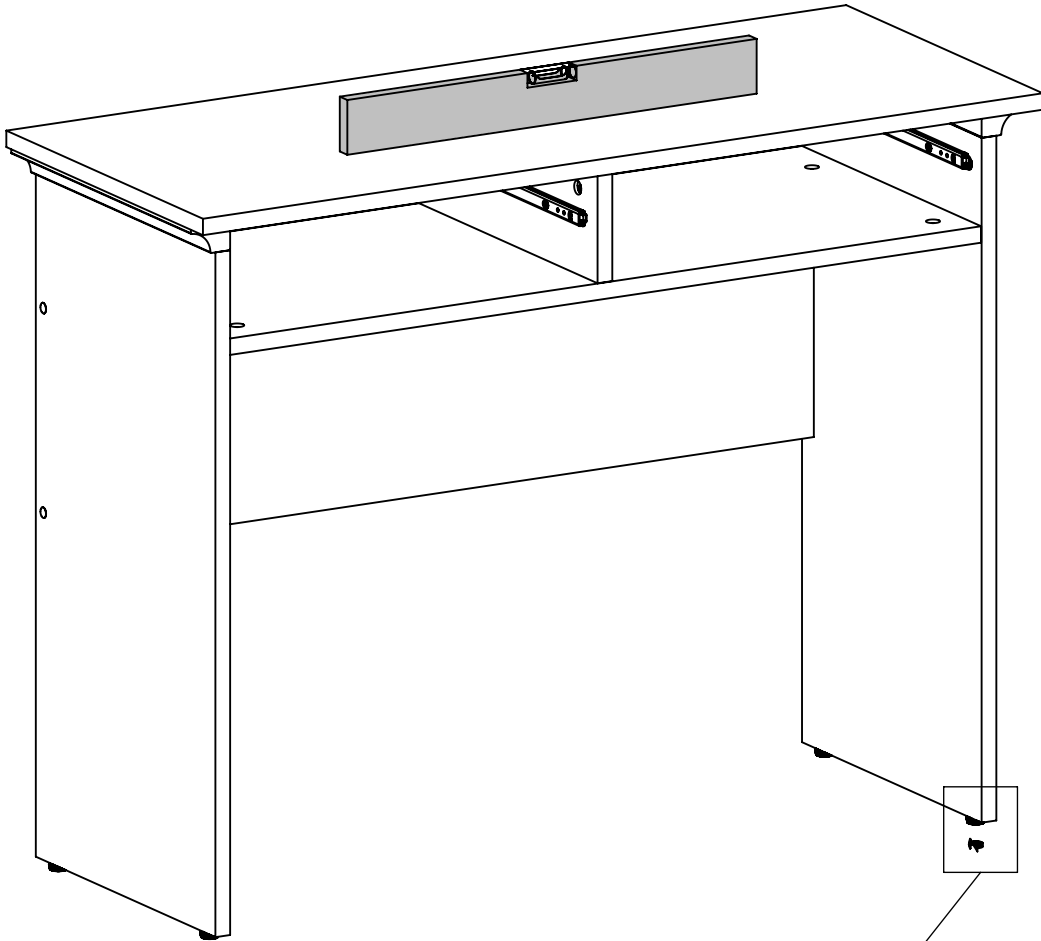


\*



1

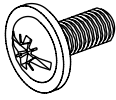




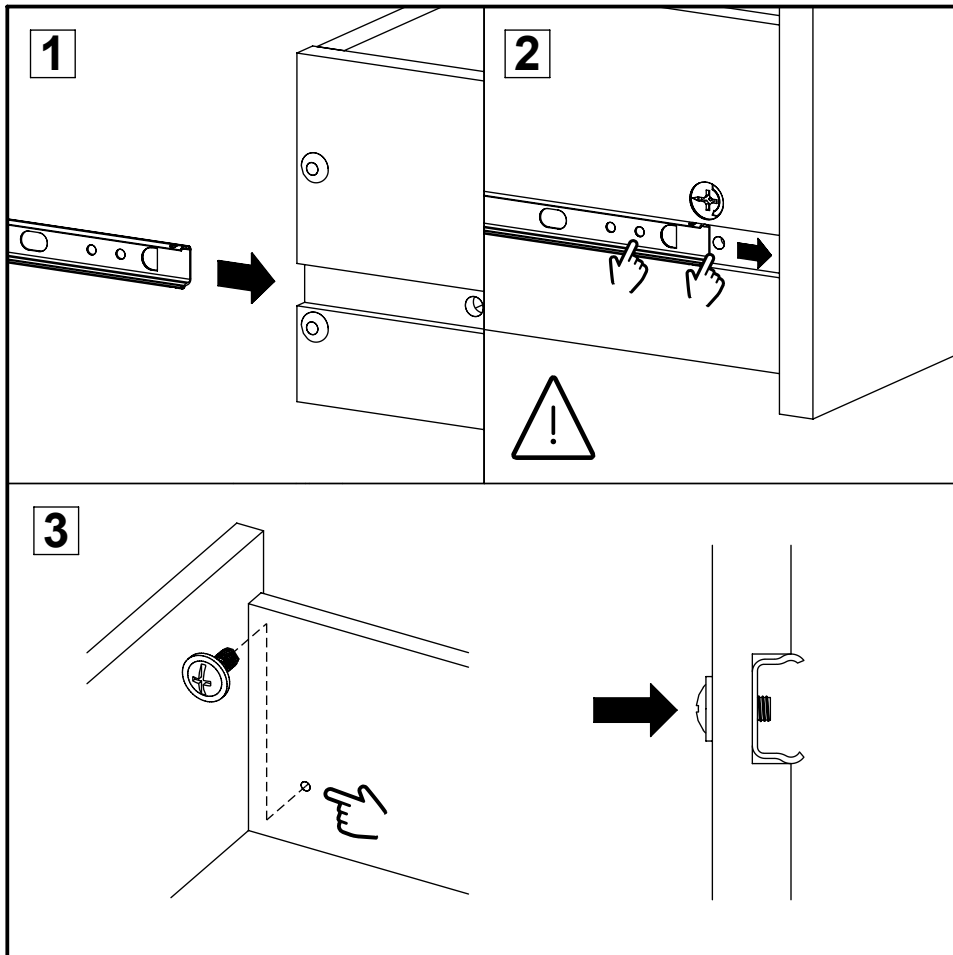
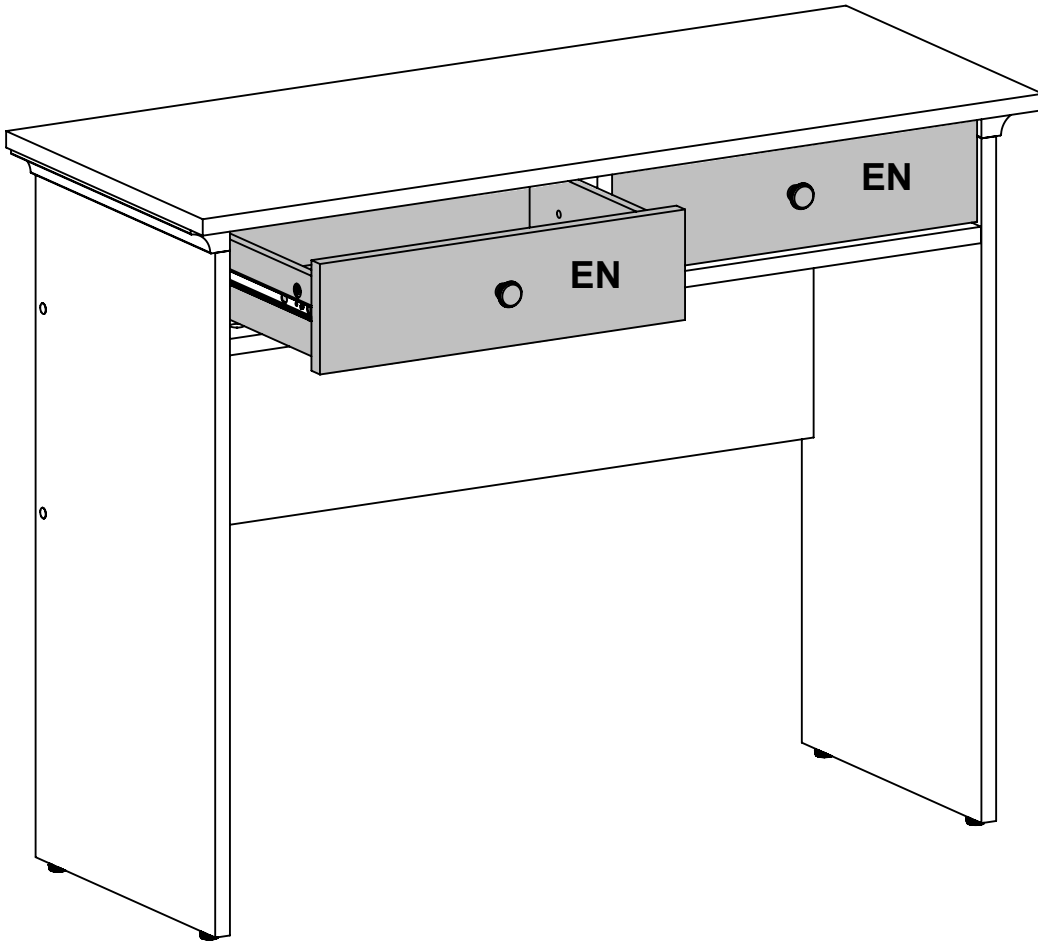
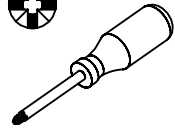
# 21

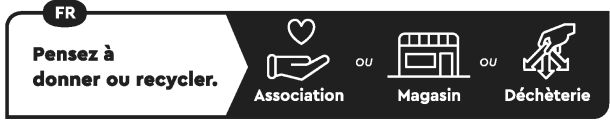
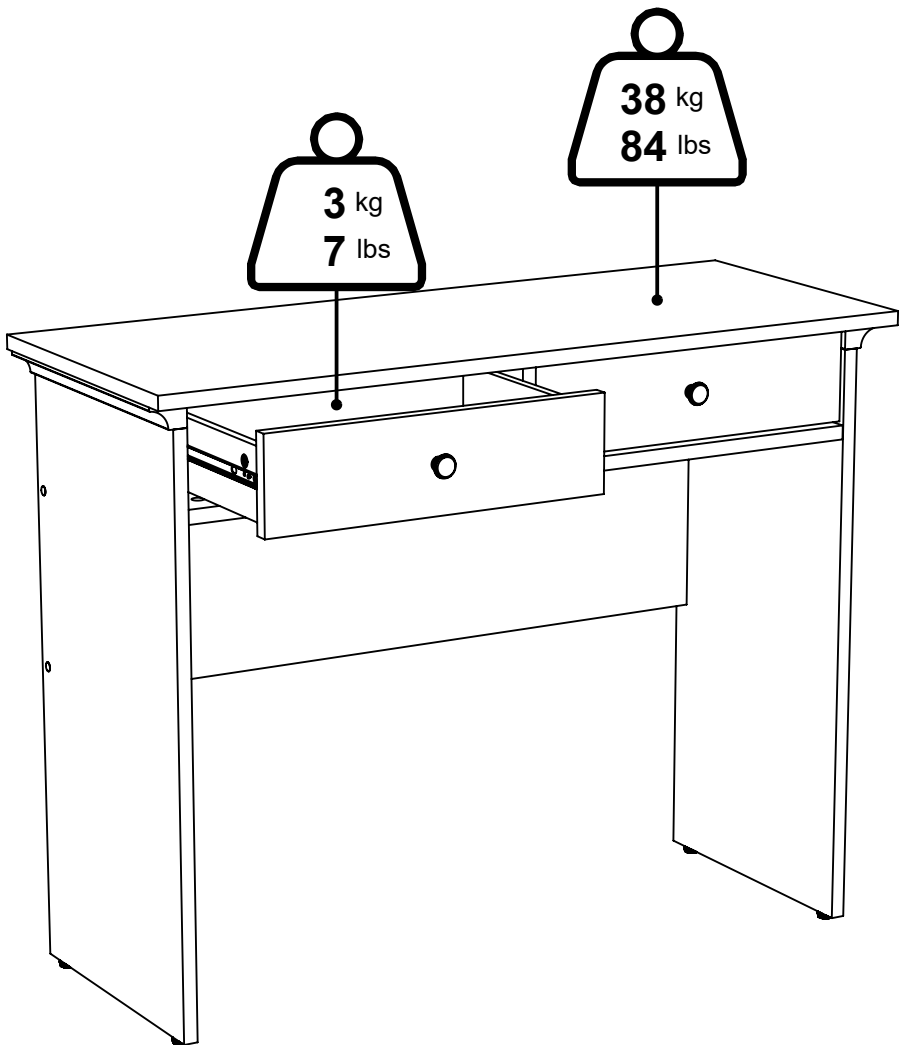
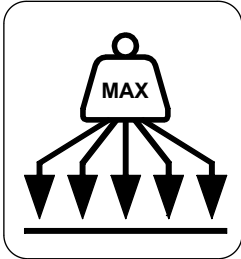
0126214

x4



M4x0.35"  
M4x9 mm





<https://quefairedemesdechets.fr>