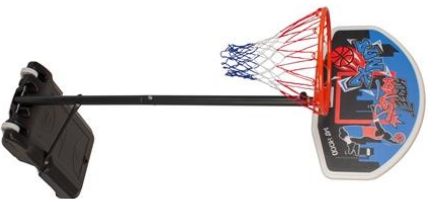


## User manual basketball Junior model no 304003



# CE

### **Congratulation with your new My Hood basketball Junior.**

Below important you shall read carefully before using MY Hood basketball Junior.

#### **Use of My Hood Basketball Junior - Safety & warnings:**

**WARNING** 

- Basketball Junior is not for children below 3 years. Contain small parts that can cause choking hazards.
- It's important to follow the safety, warnings and user manual guidelines.
- Basketball Junior must be assembled by an adult and an adult shall always do supervision when children use My Hood Basketball Junior.
- Basketball Junior must be placed on a horizontal surface to avoid it from tilt.
- Check brackets and screw frequently, since they can get loose during use.
- It's recommended frequently to clean the ball with water and soap, to avoid spreading bacteria among different users.

#### **Use:**

- When using basketball Junior, it's important the surface is dry to avoid anybody from falling.
- The base shall always be filled with either sand or water, to secure the stand stability.
- If fill the base with water, remember to check the base frequently if any leakage.
- Never stand on the base.
- On next page you will find assembly instructions. Please follow these instructions and make sure screws and brackets are securely tightened.

**Produced in China for Euro Play, Industrivej 16, DK-6630 Rødding.**

## BASKETBALL SYSTEM-OWNERS MANUAL

### ▪ S018 Basketball System



**WARNING:**  
IMPROPER INSTALLATION  
OR SWINGING ON THE RING  
MAY CAUSE SERIOUS INJURY  
OR DEATH

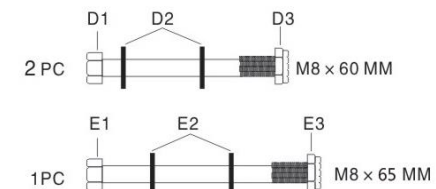
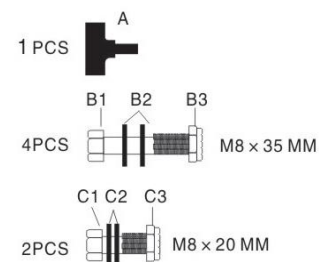
#### Notice to assemblers:

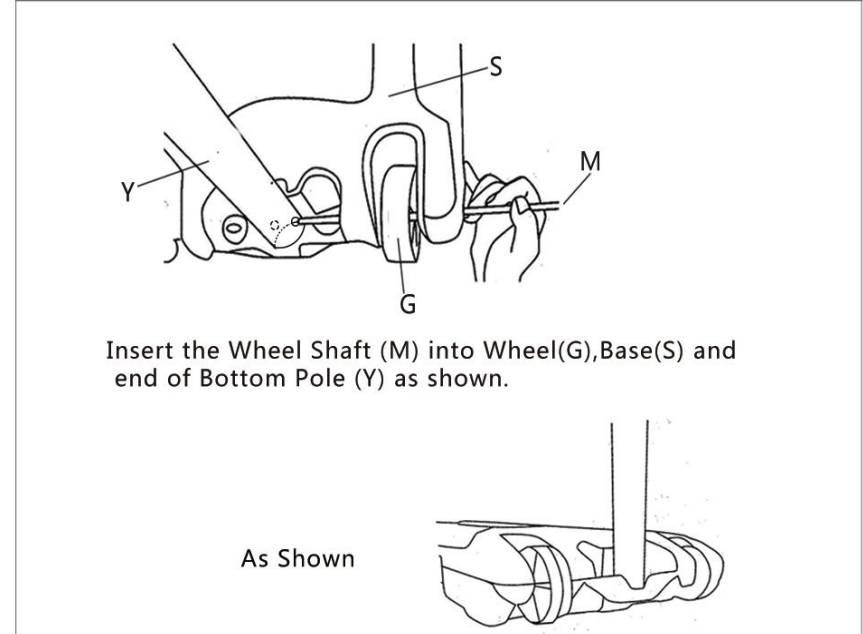
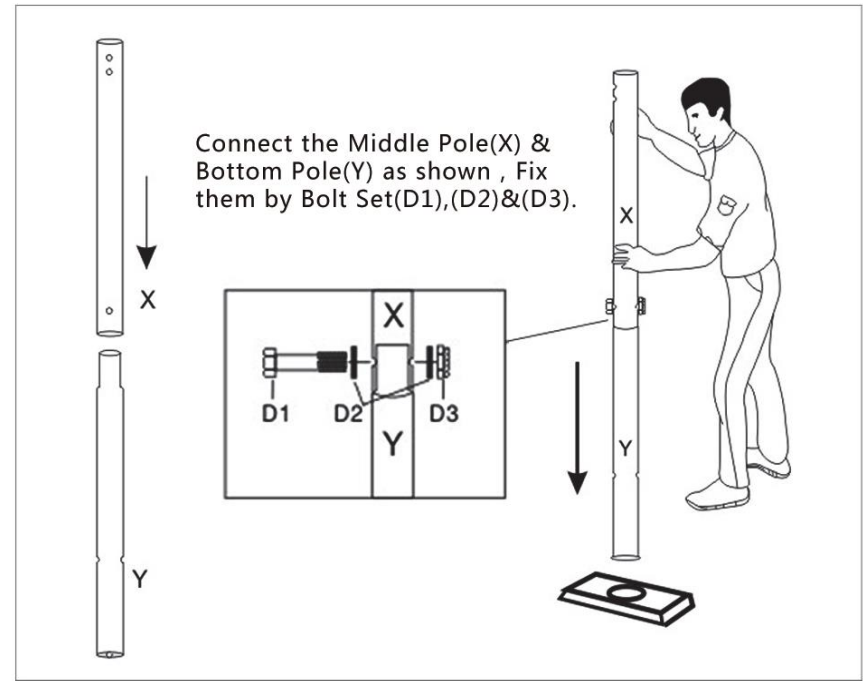
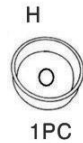
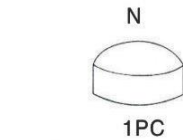
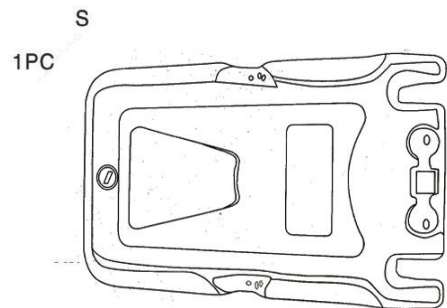
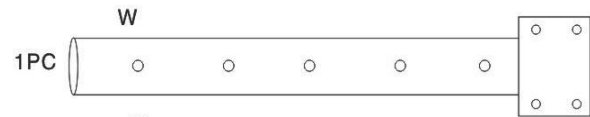
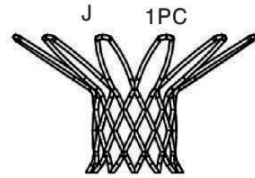
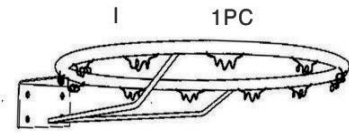
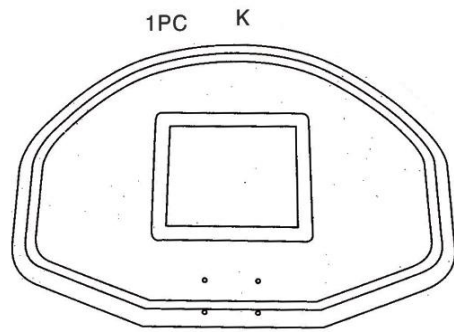
All the basketball systems, including those used for displays must be assembled and ballasted according to instructions. Failure to follow instructions could result in serious injury. Please read all warnings and cautions before assembly. It is recommended to supervise children as they play with this product. This product is to be assembled by 2 adults only!

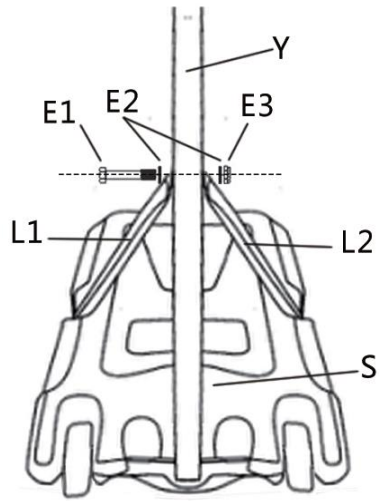
We appreciate your purchasing one of our many fine products. We are assured that you will be very satisfied with your selection.

## PART LIST

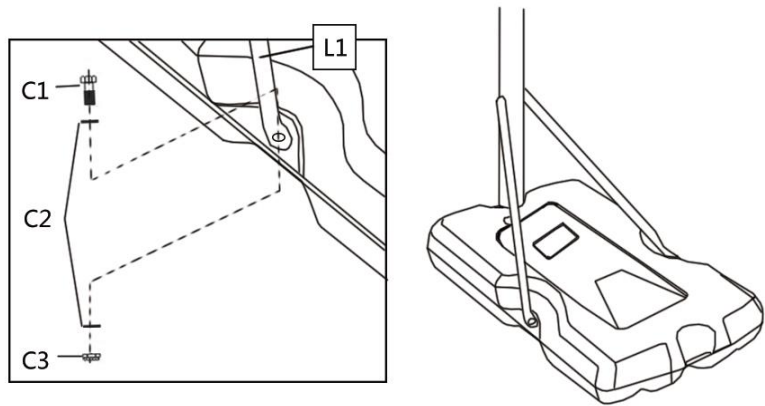
Part No.	Name & Specification	Qty	Remarks
A	Plastic head knob	1	Fix Top Pole(W) On Middle Pole(X)
B1、 B2、 B3	Bolt, M8 × 35 MM	4	Connect Rim(I),backboard(K) & Top Pole(W)
C1、 C2、 C3	Bolt, M8 × 20 MM	2	Connect Base(S) & Base Brace (L1),(L2)
D1、 D2、 D3	Bolt, M8 × 60 MM	2	Connect Middle Pole (X) & Bottom Pole(Y),And connect Top pole(W) &Middle Pole (X)
E1、 E2、 E3	Bolt, M8 × 65 MM	1	Connect Bottom Pole(Y) & Base Brace(L1),(L2)
G	Wheel	2	
H	Water Cap	1	
I	Rim	1	
J	Net	1	
K	Backboard	1	
L1	Right Brace	1	
L2	Left Brace	1	
M	Wheel Shaft	1	
N	Pole Cap	1	
W	Top Pole	1	
X	Middle Pole	1	
Y	Bottom Pole	1	
S	Base	1	



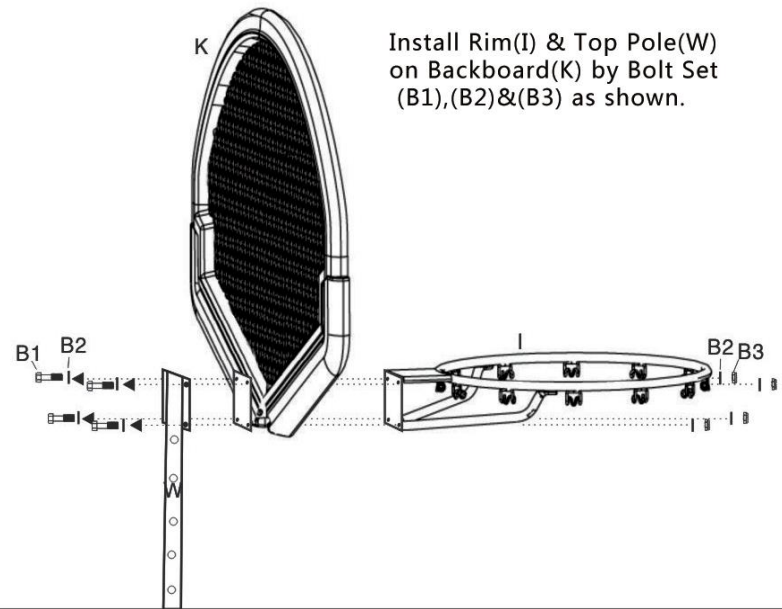




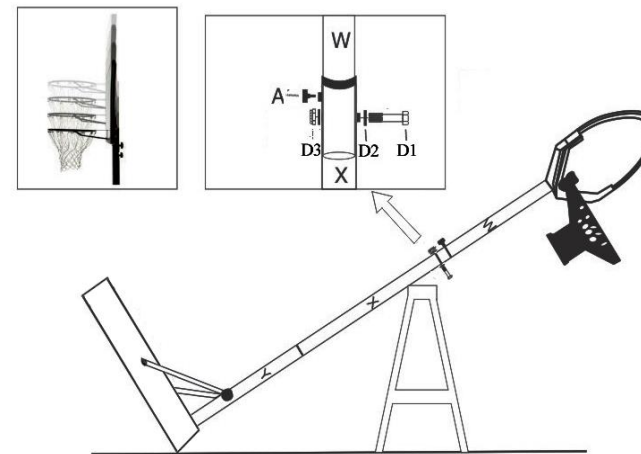
Fix one end of Pole Brace(L1)&(L2) on Bottom Pole(Y) by Bolt Set (E1),(E2)&(E3) as shown.



Fix the other end of Pole Brace(L1)&(L2) on two sides of Base(S) by Bolt Set (C1), (C2)&(C3) as shown.

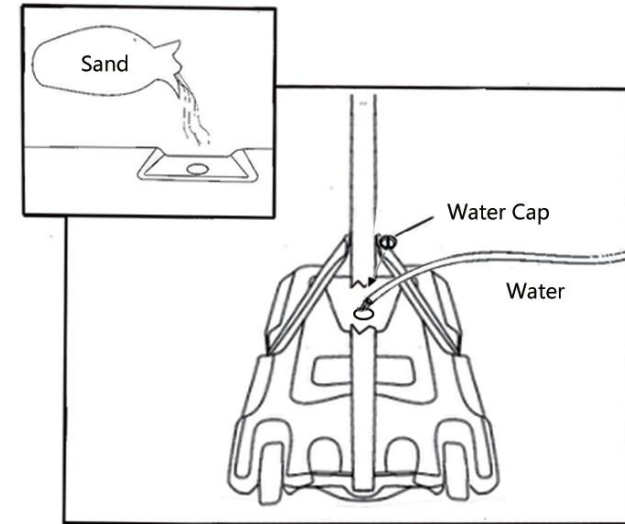
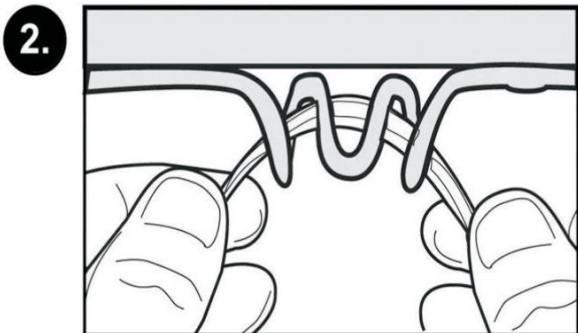
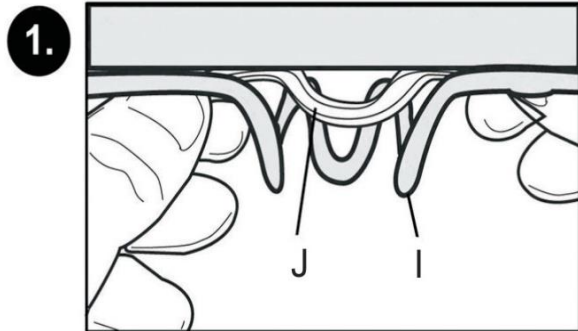


Install Rim(I) & Top Pole(W) on Backboard(K) by Bolt Set (B1),(B2)&(B3) as shown.



Insert the Top Pole(W) into Middle Pole (X),adjust it to required height,then fix them by Palstic Head Knob(A)&Bolt Set (D1),(D2)&(D3) as shown.Adjust the height by change the Bolt Set (D1),(D2)&(D3) in different holes on Top Pole(W).

Install Net (J) on Rim (I) as shown.



Filling the Base(S) with water or sand to keep steady.