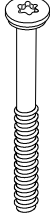
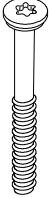
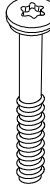
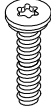
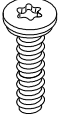



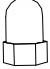
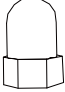




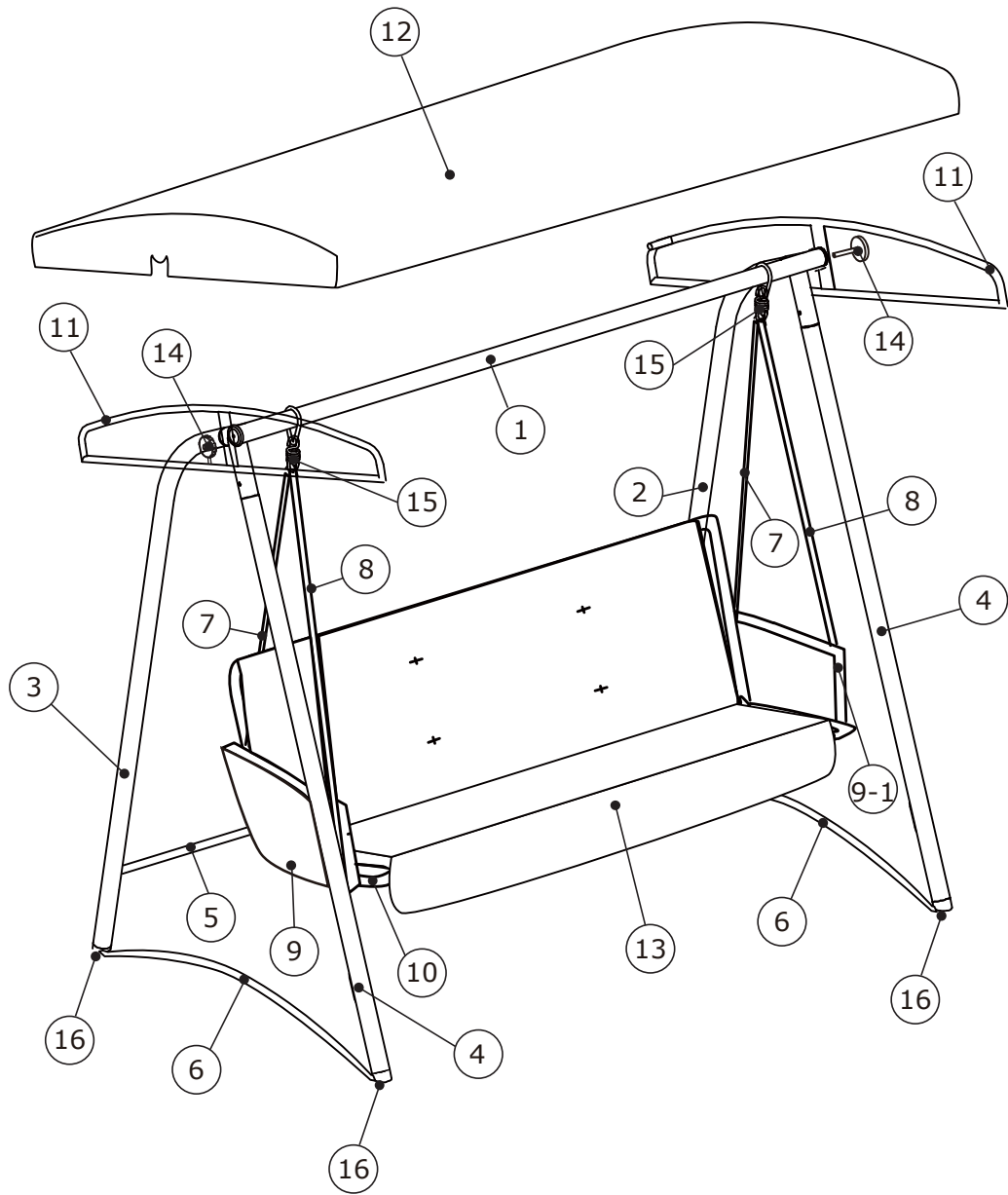





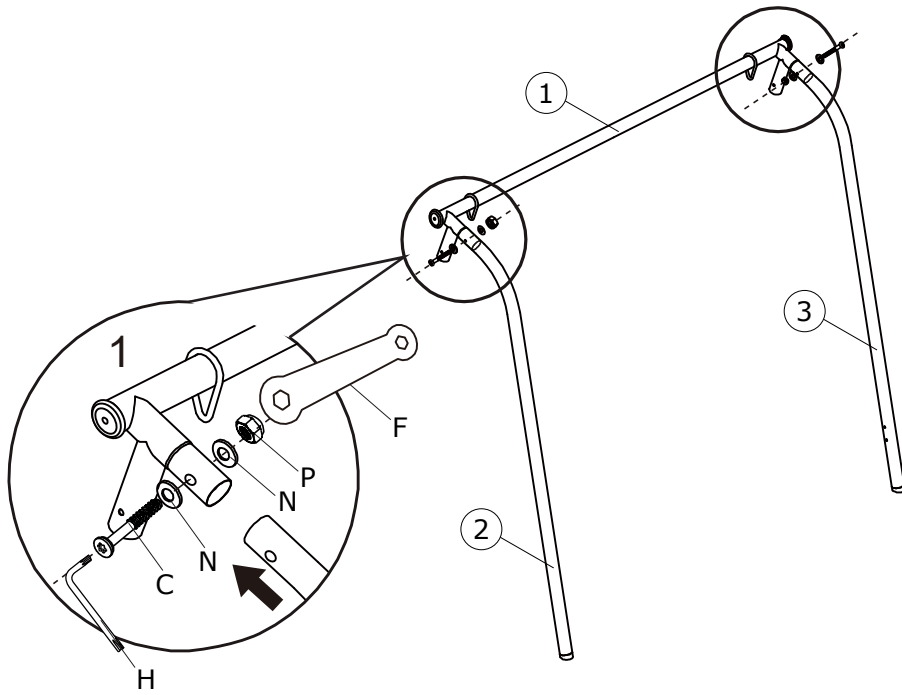
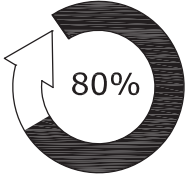







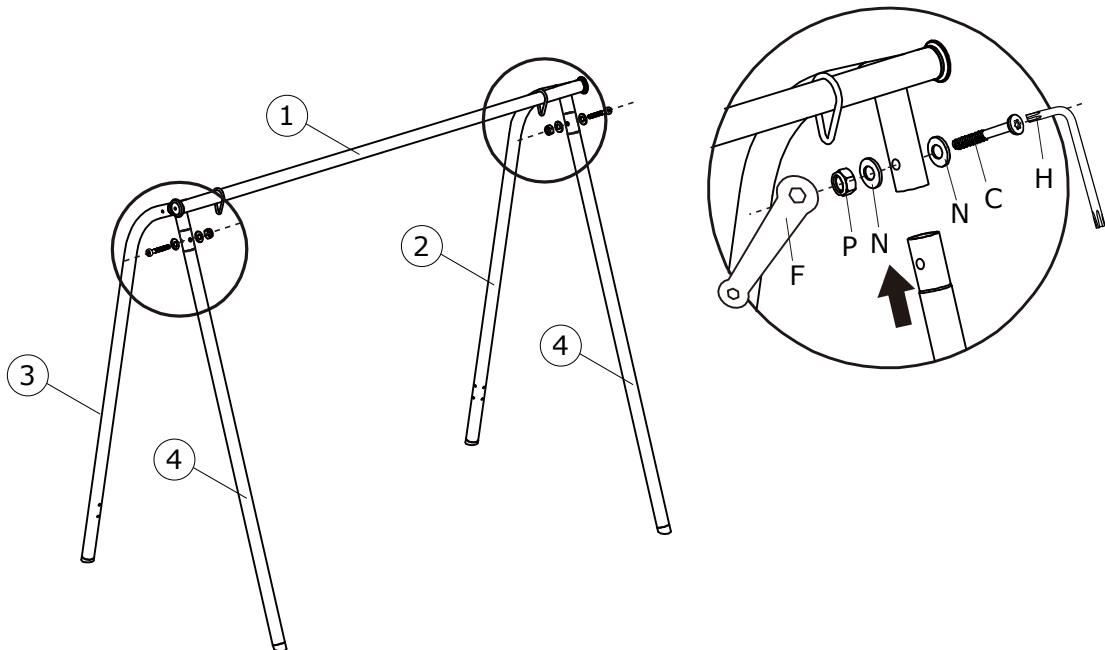
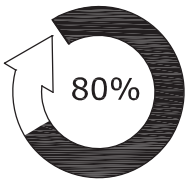
<p>A x 2</p>  <p>M6x70 mm</p>	<p>B x 4</p>  <p>M6x67 mm</p>	<p>C x 4</p>  <p>M8x60 mm</p>	<p>D x 2</p>  <p>M6x20 mm</p>
<p>E x 4</p>  <p>M8x20 mm</p>	<p>F x 1</p>  <p>M8/M6</p>	<p>H x 1</p>  <p>M6</p>	<p>J x 16</p>  <p>M8/M6</p>
<p>K x 6</p>  <p>M6</p>	<p>L x 4</p>  <p>M8</p>	<p>M x 14</p>  <p>M6</p>	<p>N x 12</p>  <p>M8</p>
<p>O x 6</p>  <p>M6</p>	<p>P x 4</p>  <p>M8</p>		



<h1>1</h1>	<p>C x 2  M8x60 mm</p>	<p>N x 4  M8</p>	<p>P x 2  M8</p>	<p>F x 1  M8/M6</p>	<p>H x 1  M6</p>	
------------	--	---	---	---	---	--



<h1>2</h1>	<p>C x 2  M8x60 mm</p>	<p>N x 4  M8</p>	<p>P x 2  M8</p>	<p>F x 1  M8/M6</p>	<p>H x 1  M6</p>	
------------	---	---	---	---	---	--



3

E x 4



M8x20 mm

N x 4

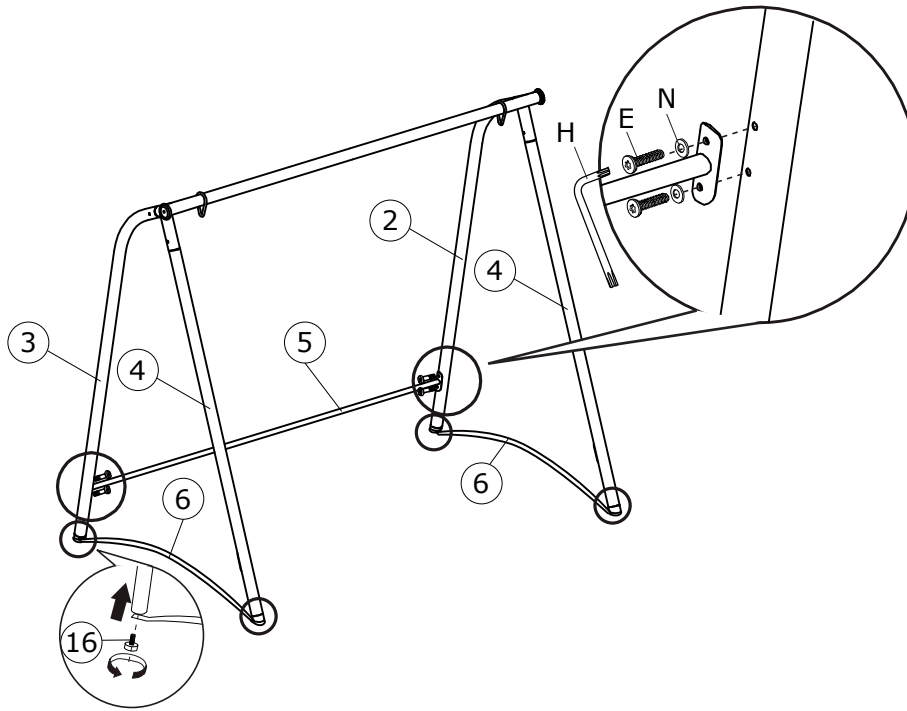
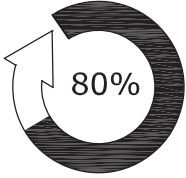


M8

H x 1



M6



4

B x 2



M6x67 mm

M x 4



M6

O x 2



M6

F x 1

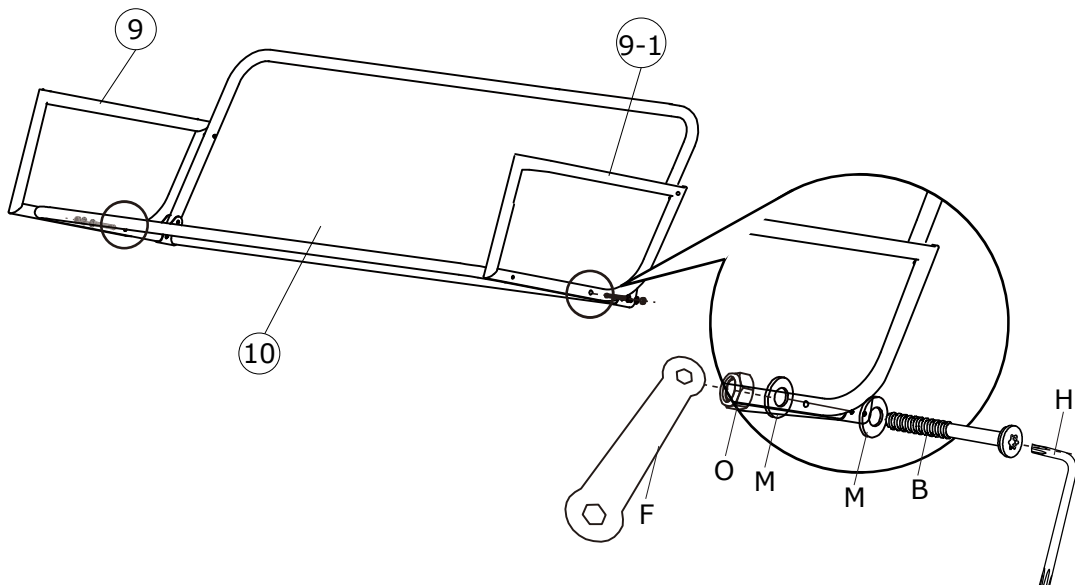
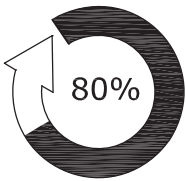


M8/M6

H x 1

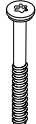


M6



5

B x 2



M6x67 mm

M x 4



M6

O x 2



M6

F x 1

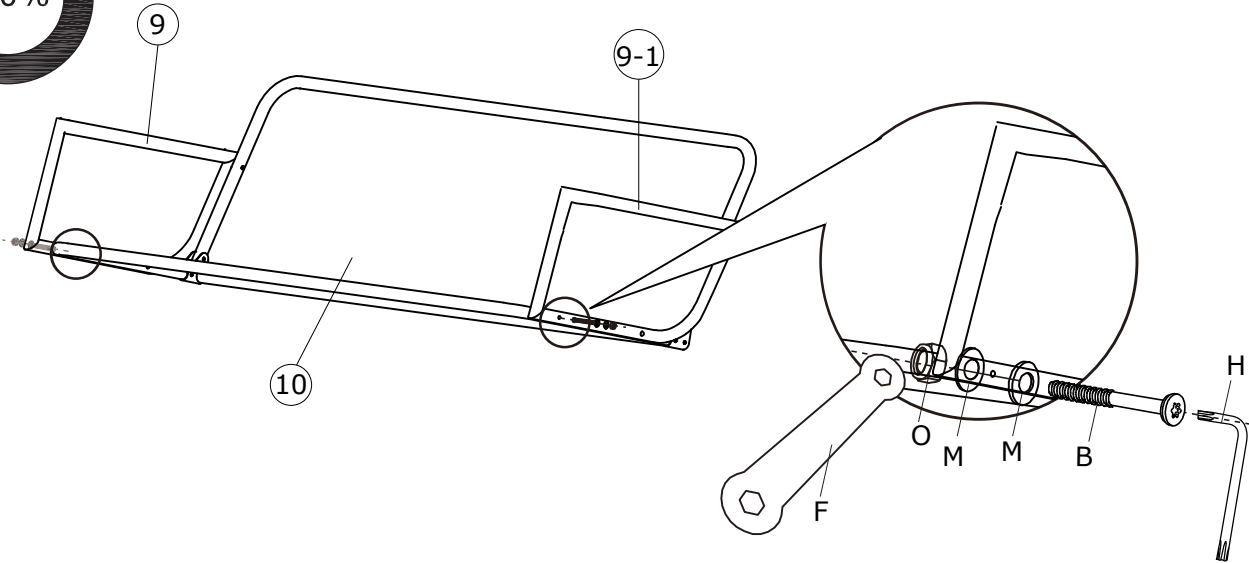
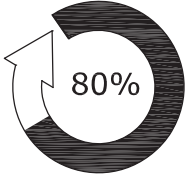


M8/M6

H x 1

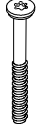


M6



6

A x 2



M6x70 mm

M x 4



M6

O x 2



M6

F x 1

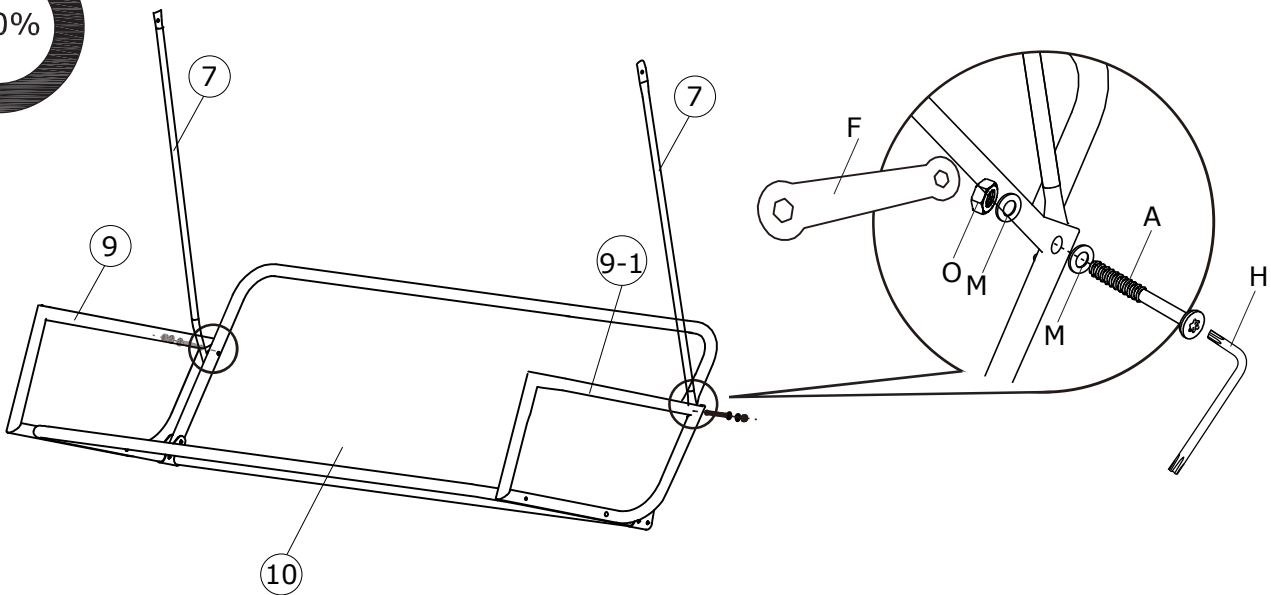
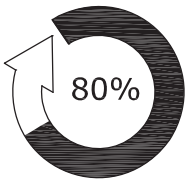


M8/M6

H x 1




M6




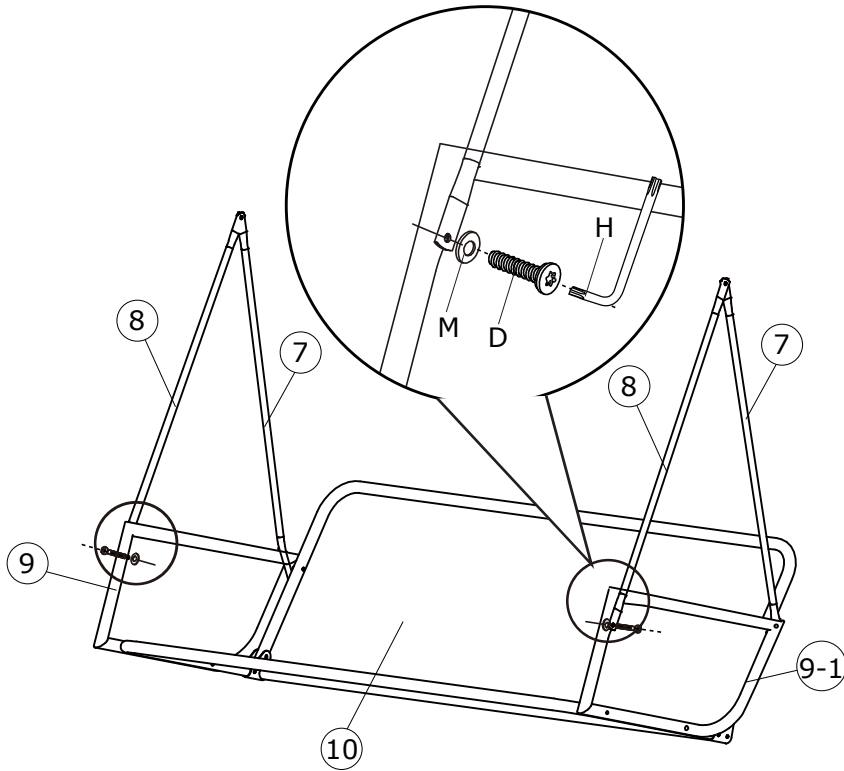
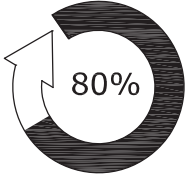
7

D x 2

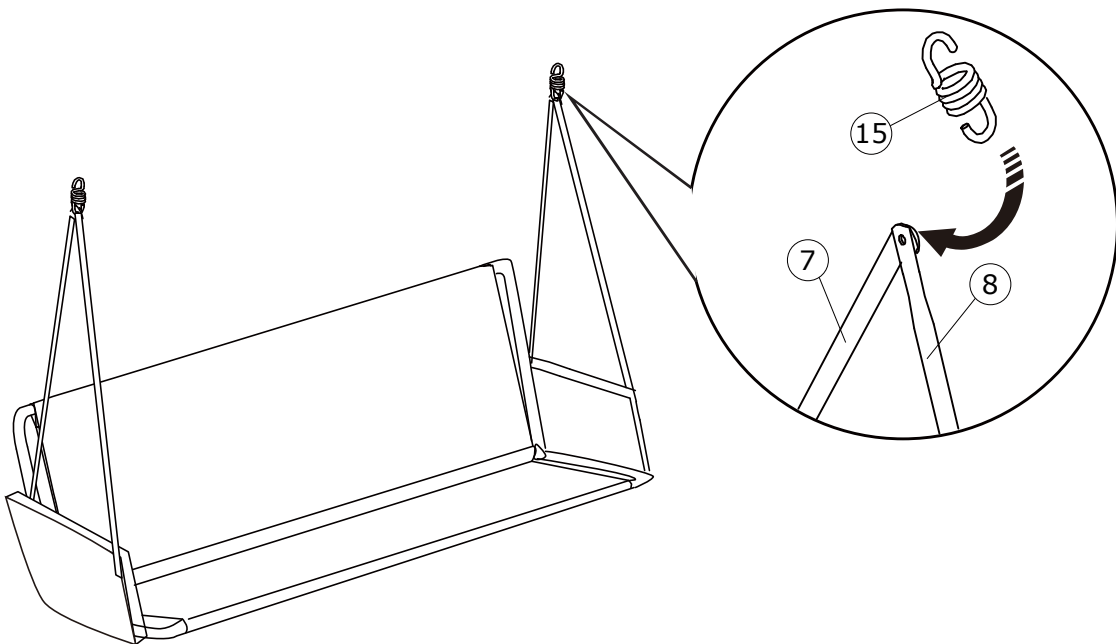
M6x20 mm

M x 2

M6

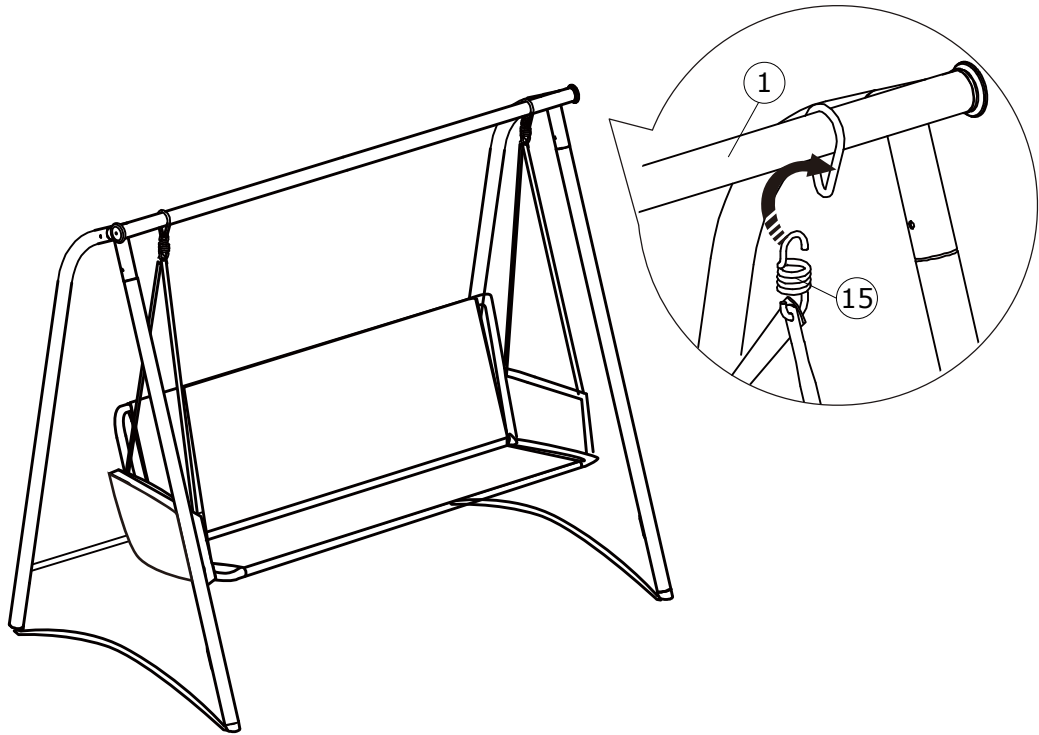
G x 1

M6



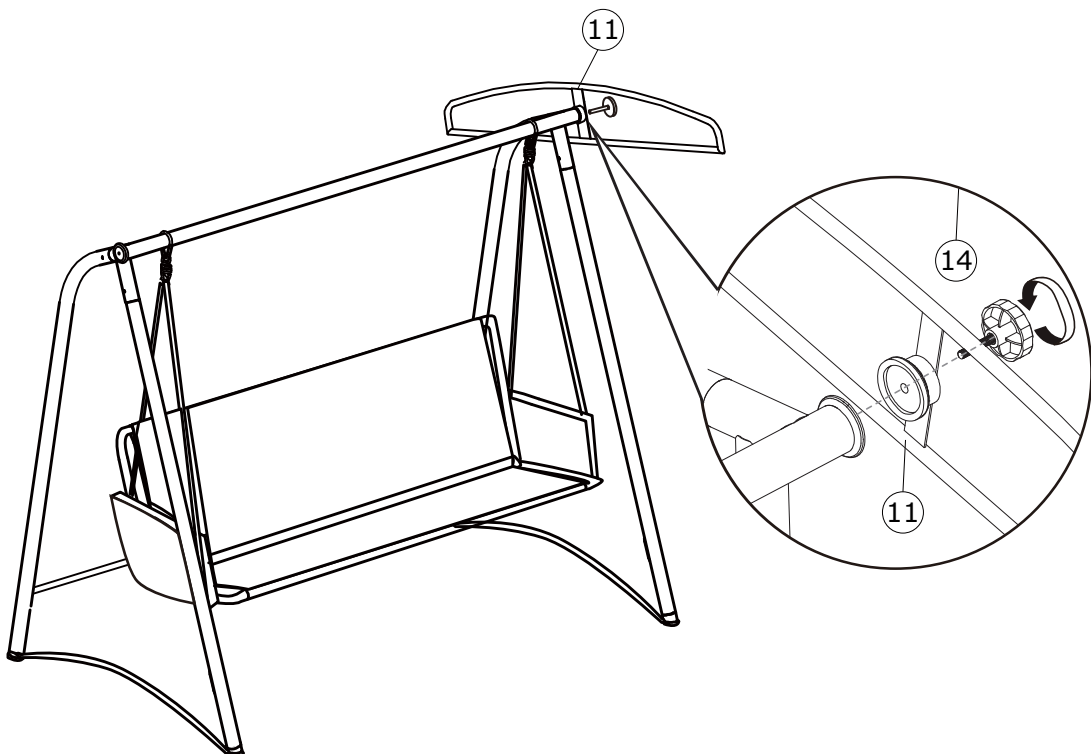
8



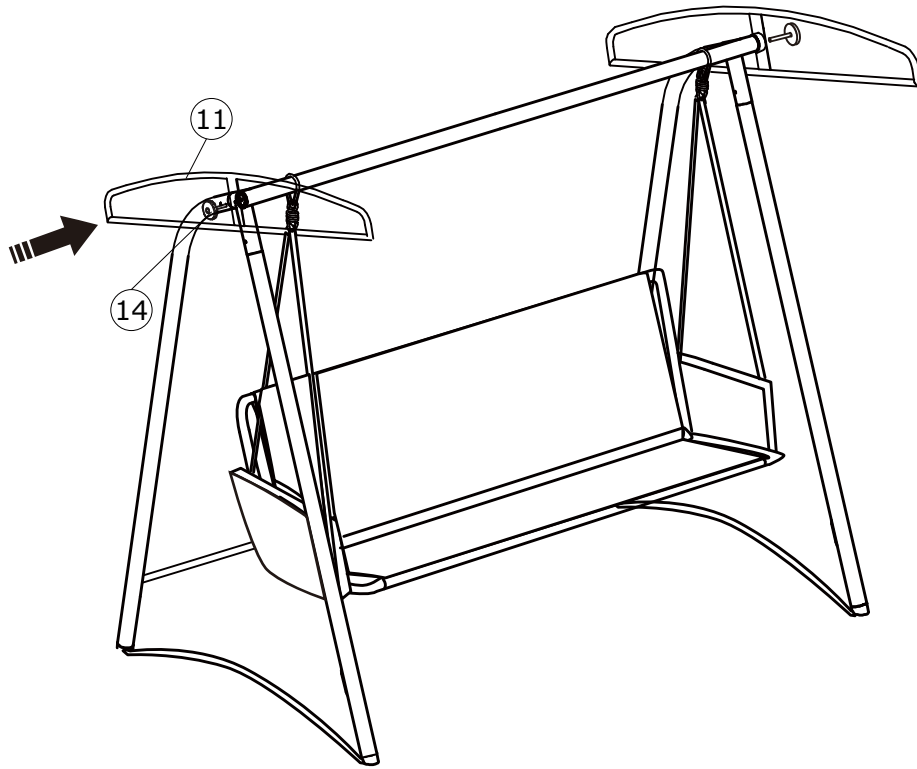
9



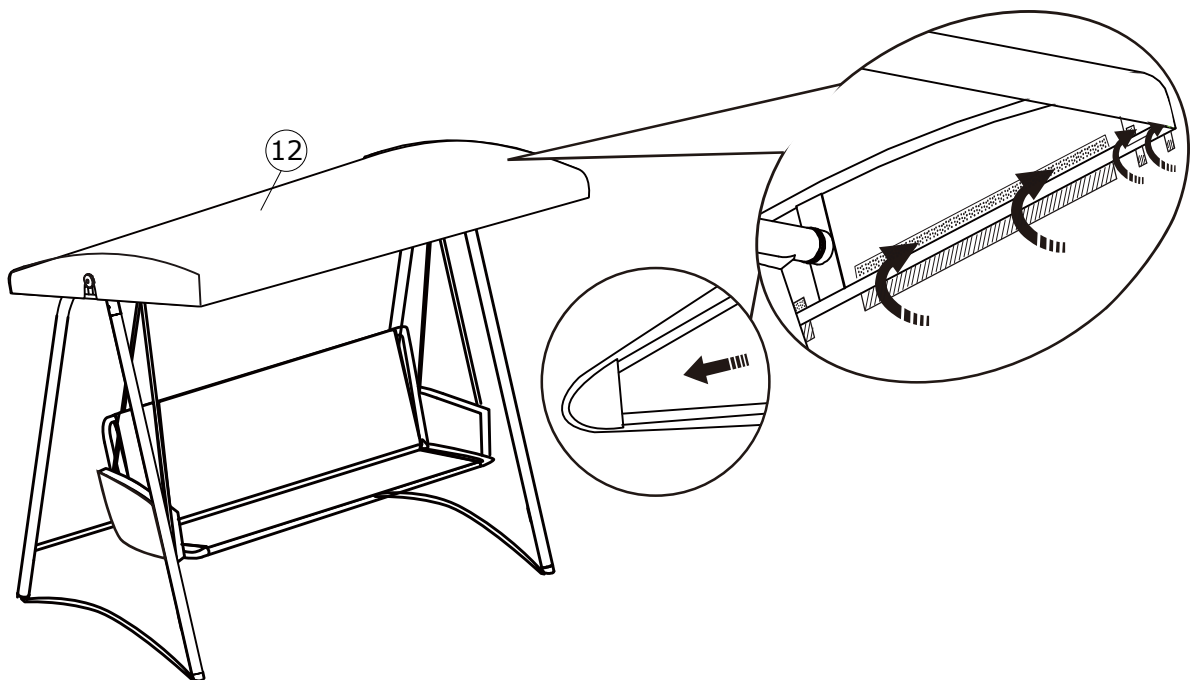
10



11



12



13

K x 6



M6

J x 16

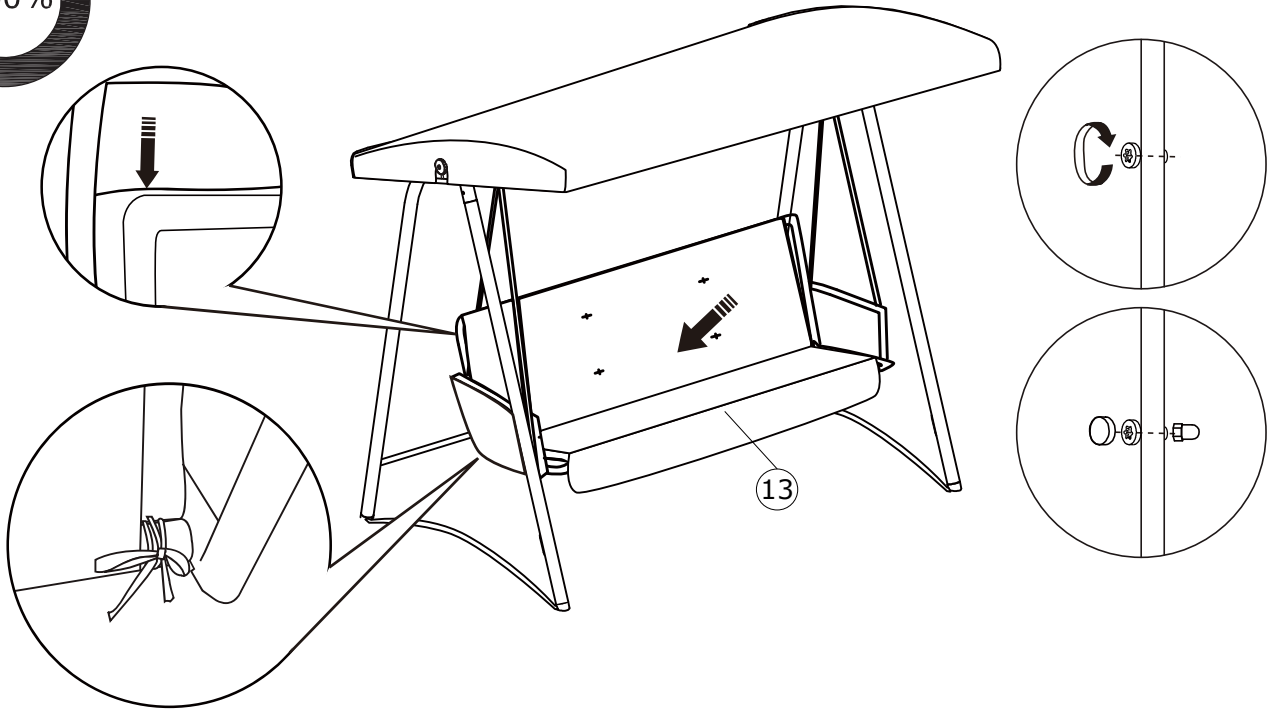


M8/M6

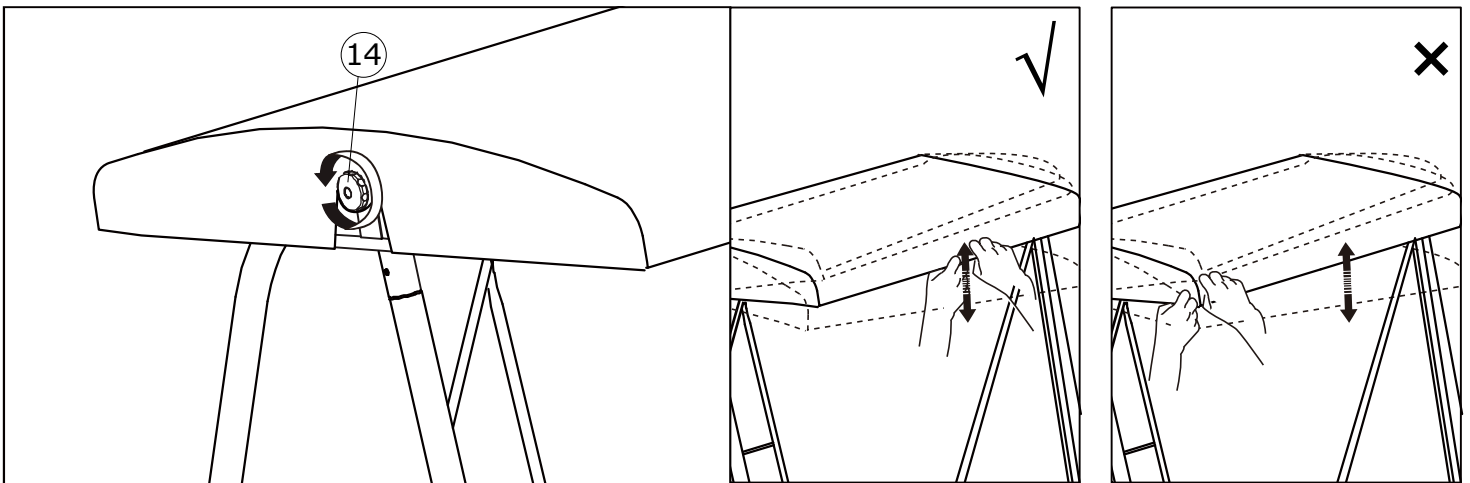
L x 4

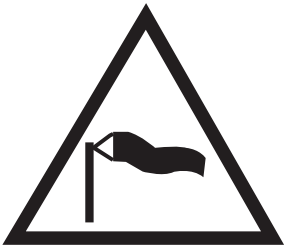


M8



14





>6m/sec

