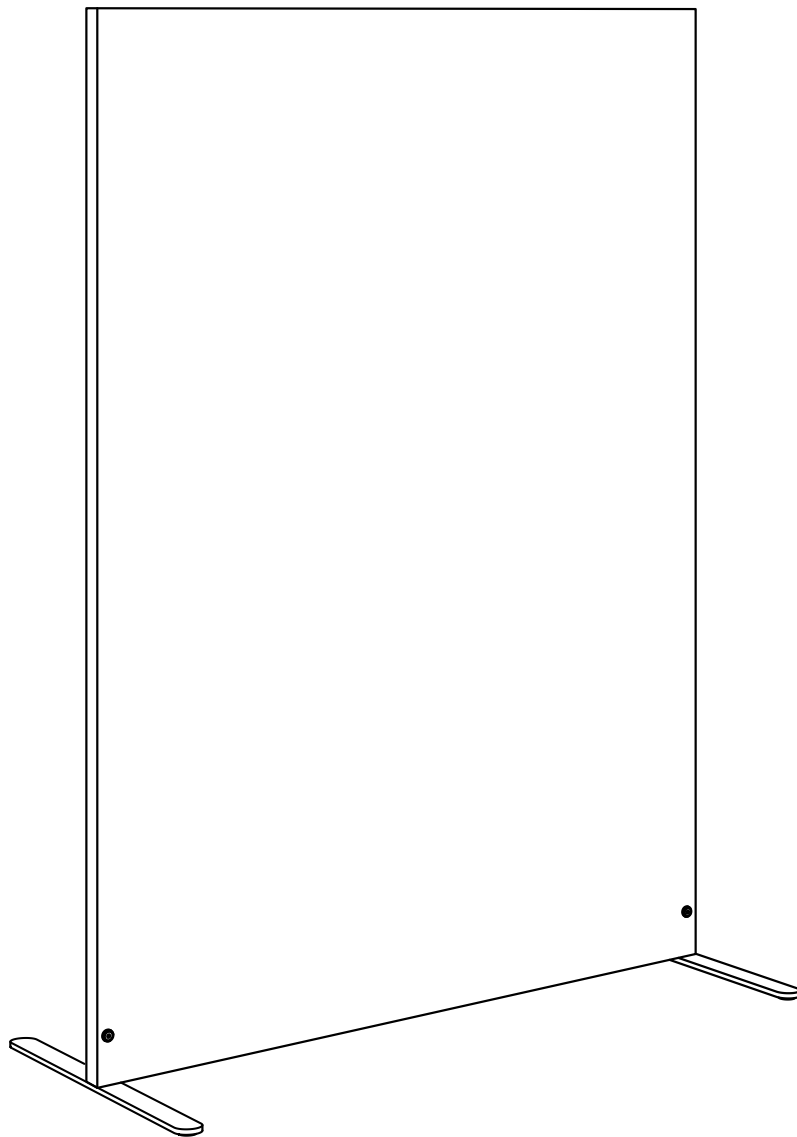
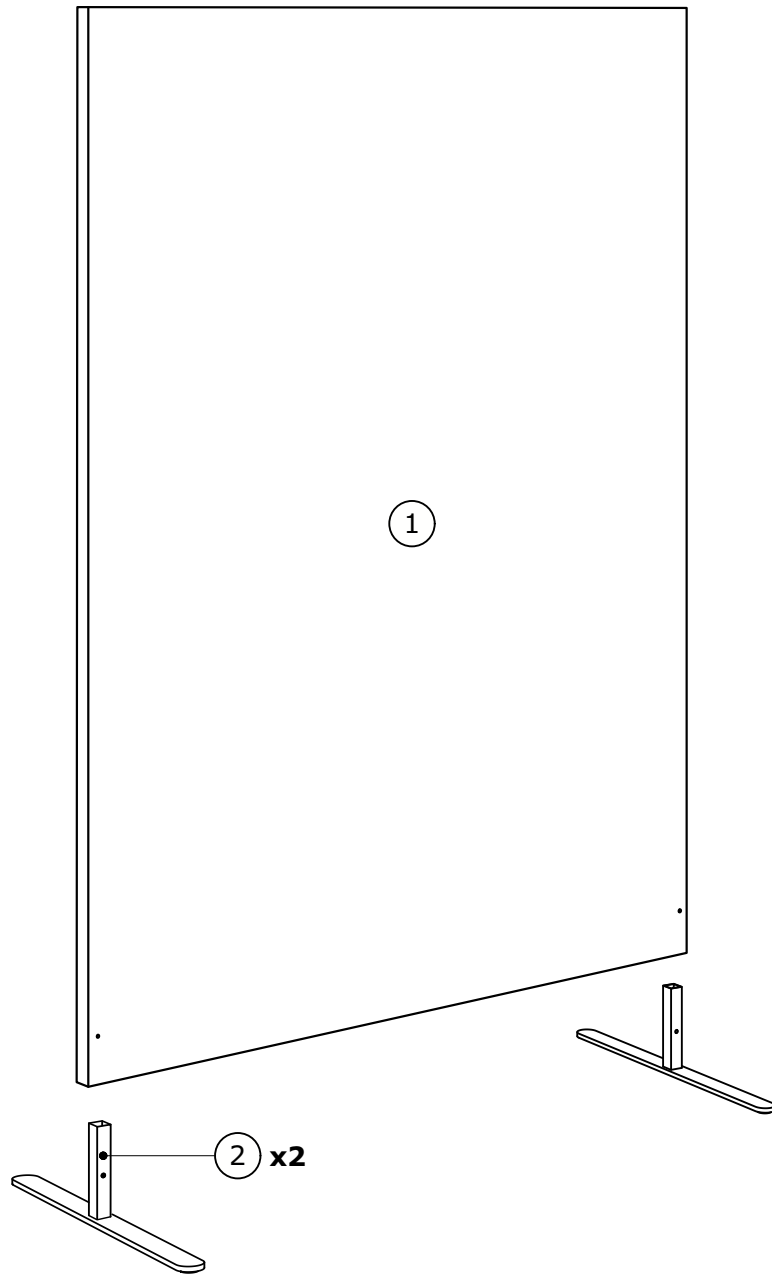


# HAVELY WINDBREAKER

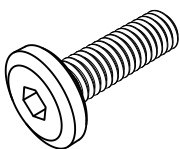


① x 1

② x 2

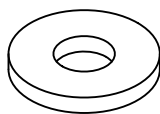


A x 6



M6x20 mm

B x 6



Ø6/Ø16x2 mm

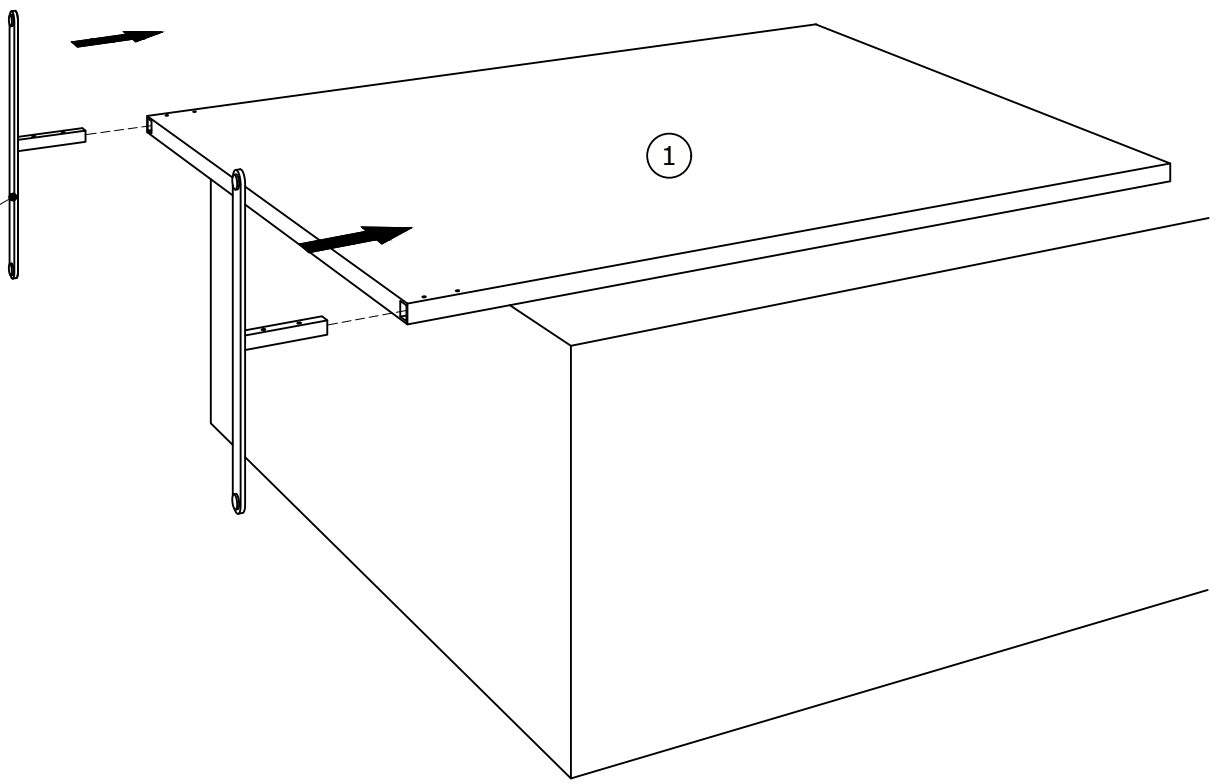
C x 1



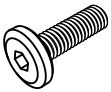


4 mm

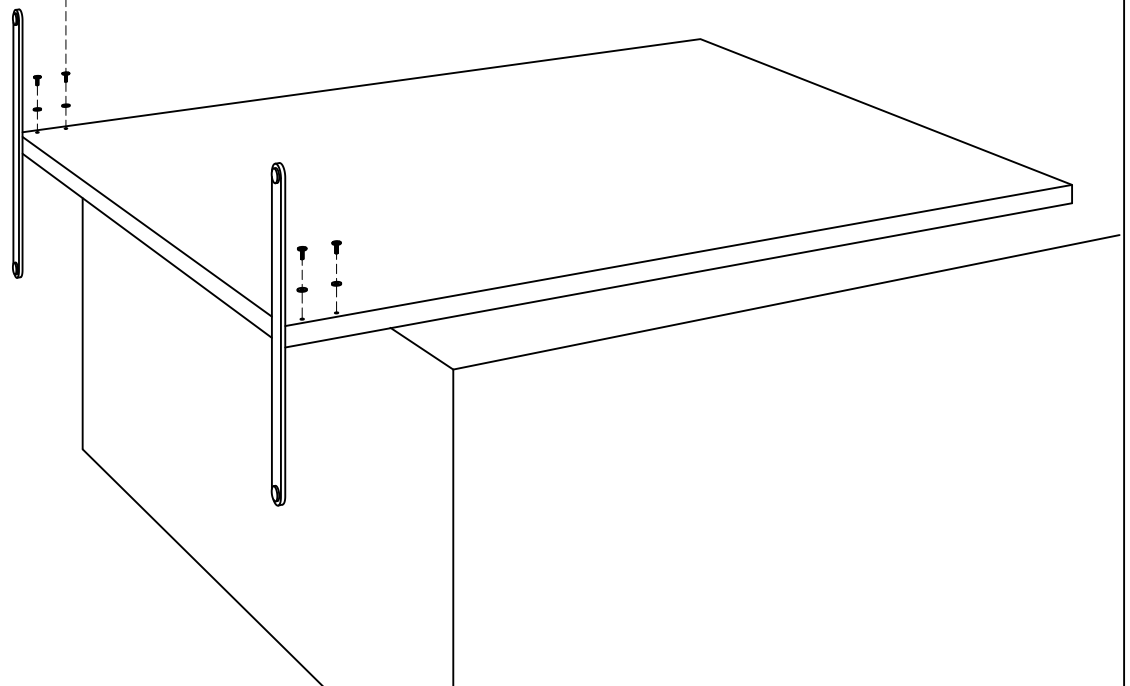
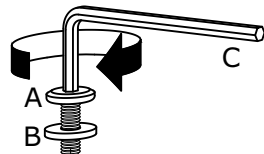
1

2 x2

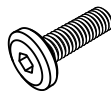

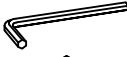



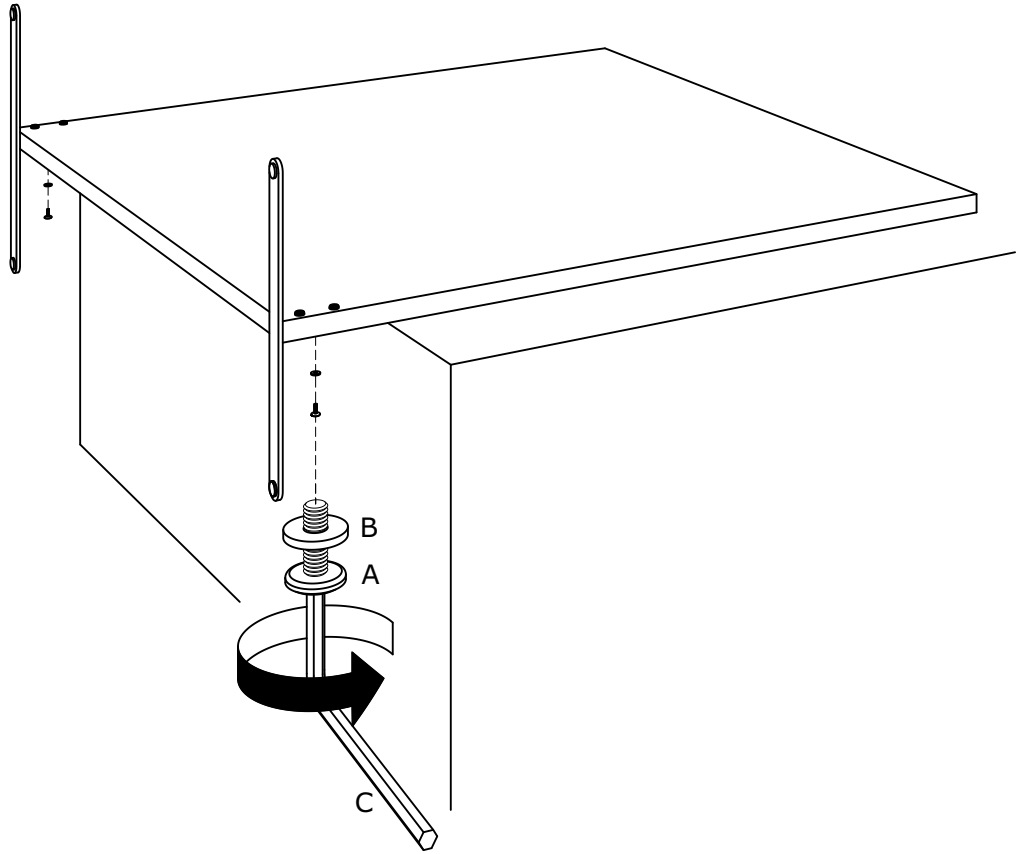
2

A x 4  M6x20 mm	B x 4  Ø6/Ø16x2 mm	C x 1  4 mm	
--	---	--	--



3

<p>A x 2</p>  <p>M6x20 mm</p>	<p>B x 2</p>  <p>Ø6/Ø16x2 mm</p>	<p>C x 1</p>   <p>4 mm</p>	
--	---	---	--



4

