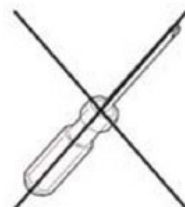
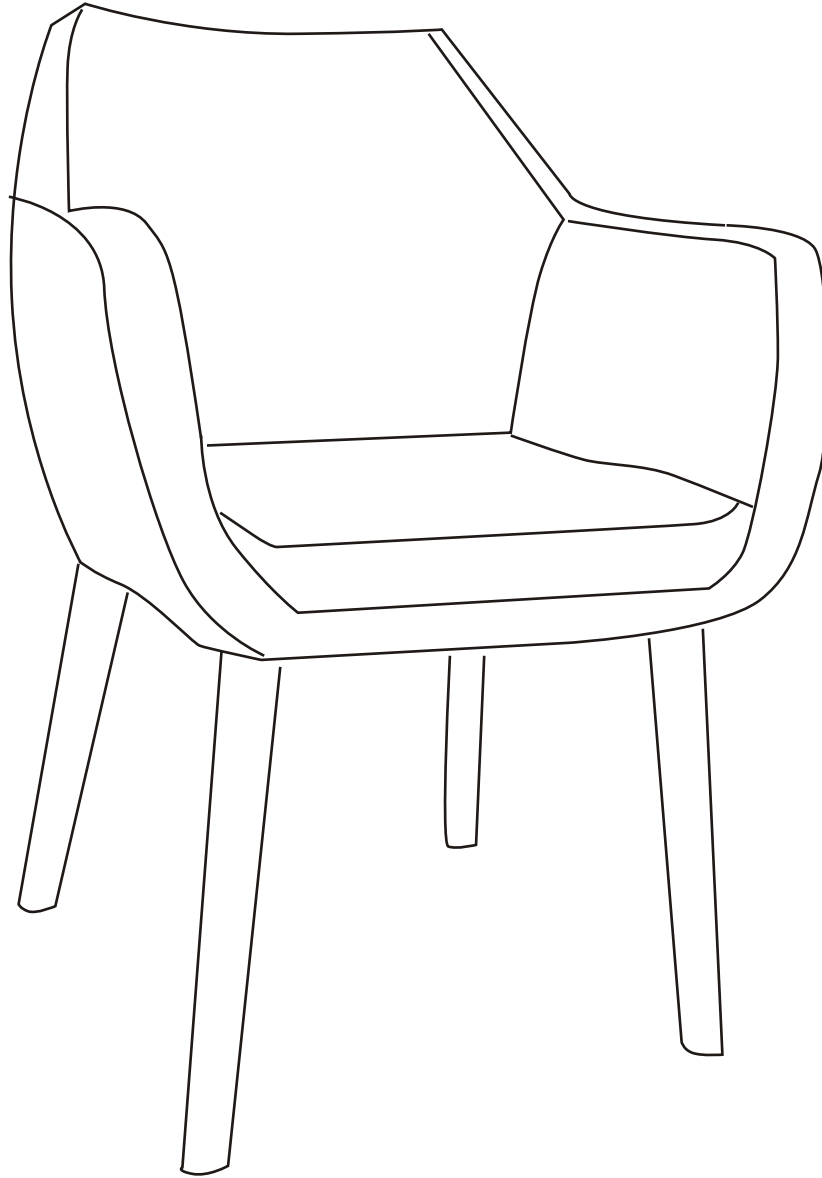

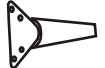










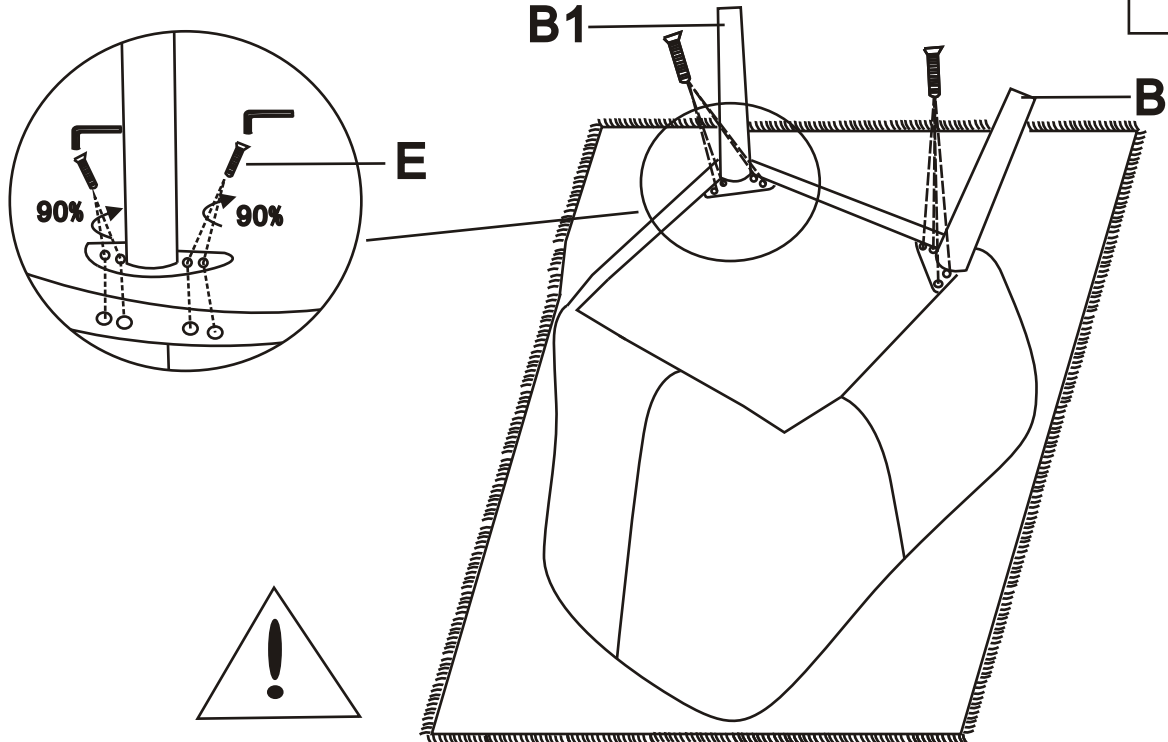
Nora





AX1 	B1X1 	BX1 	CX1 	DX1 	EX16  M6*14	FX1 	GX4 
--	--	---	---	---	---	---	---

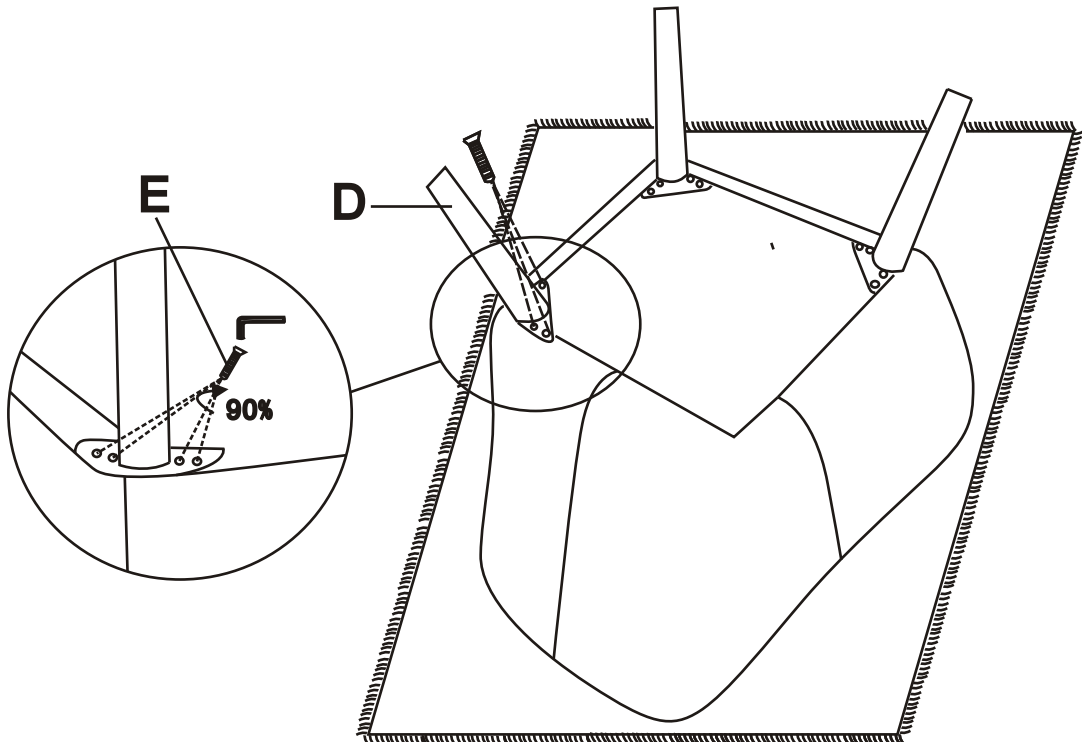
1

EX8 	FX1 
---	---





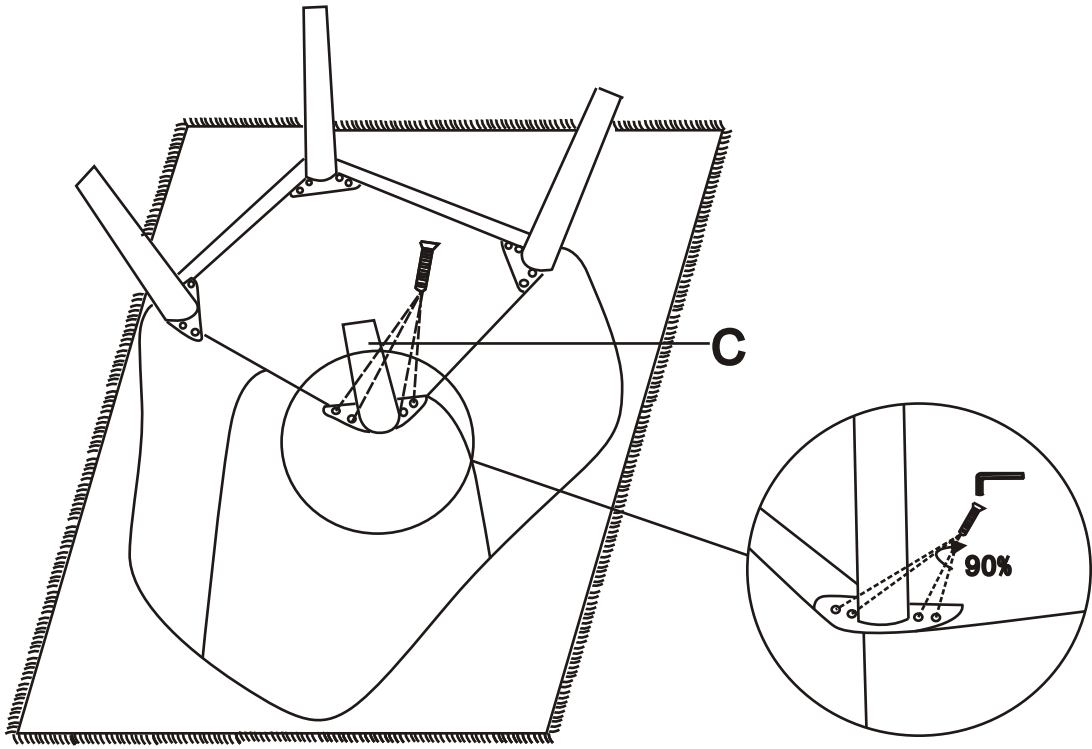
2

EX4 	FX1 
---	---

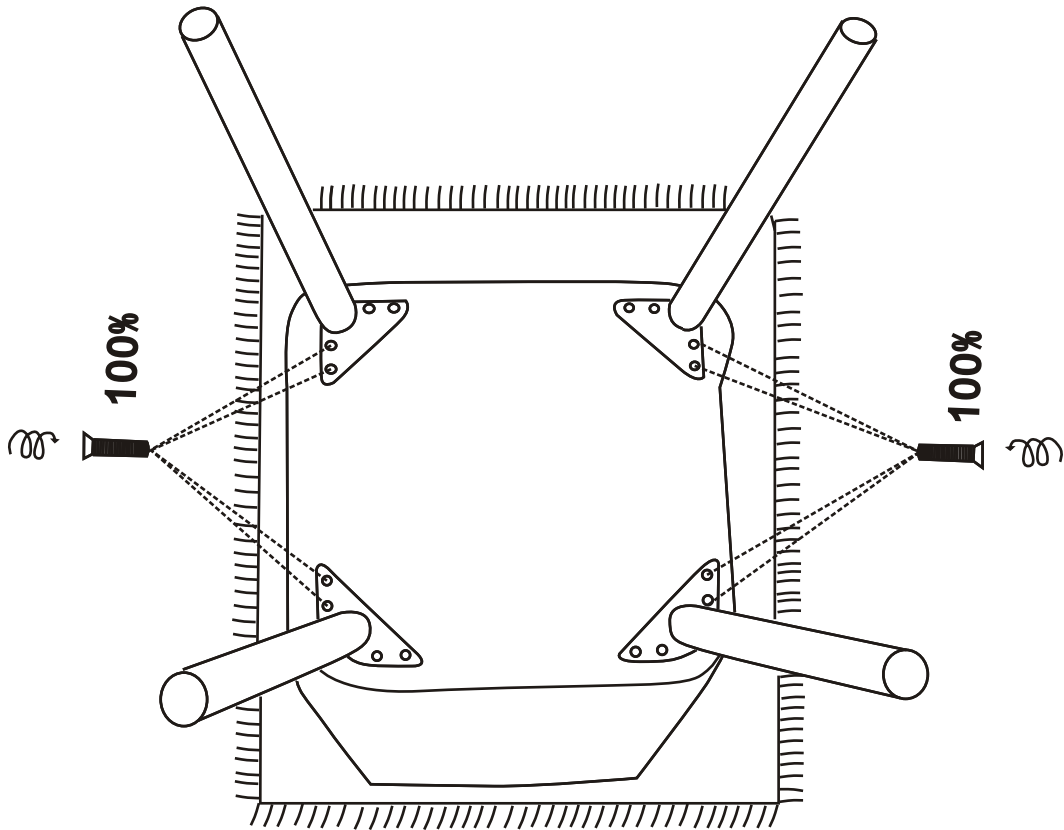


3

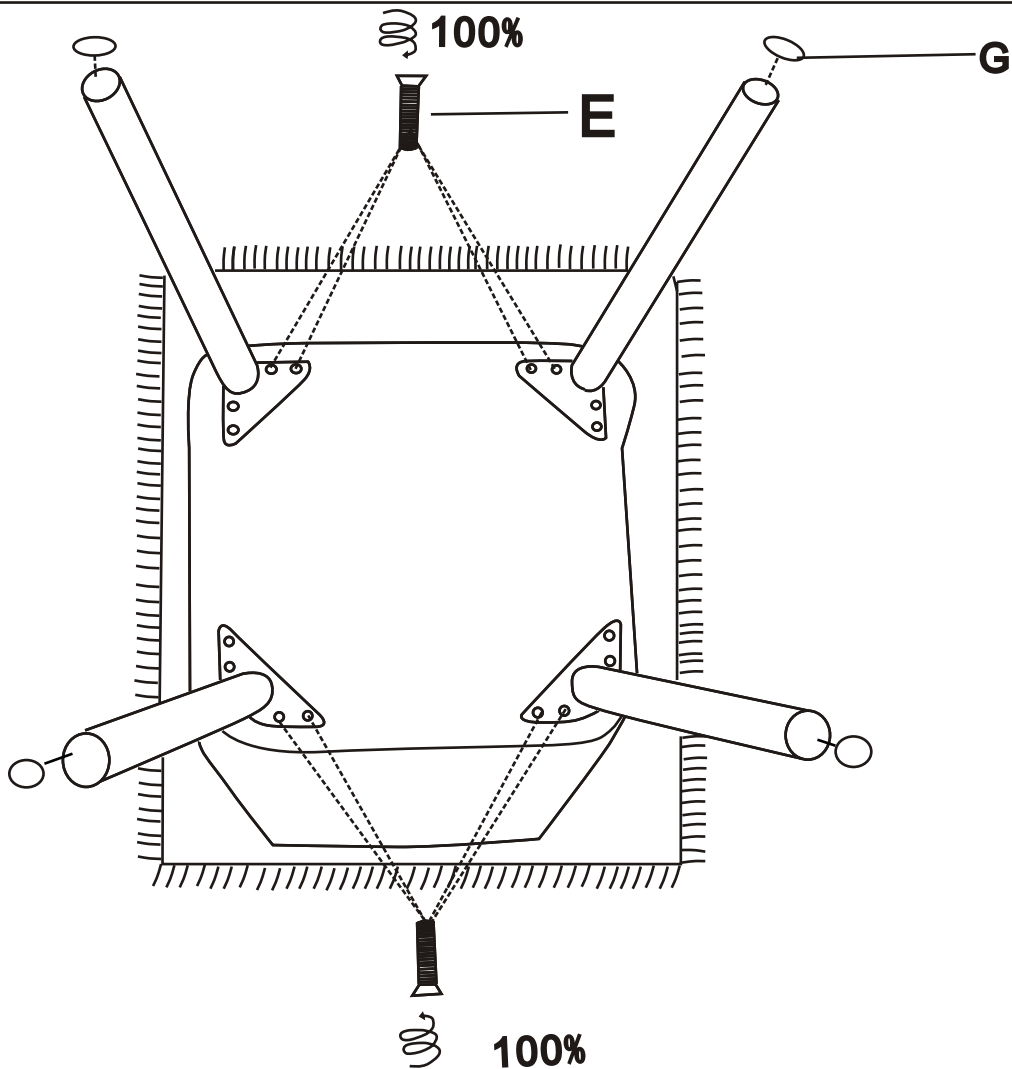
EX4	FX1
	



4



5



GX4



6

