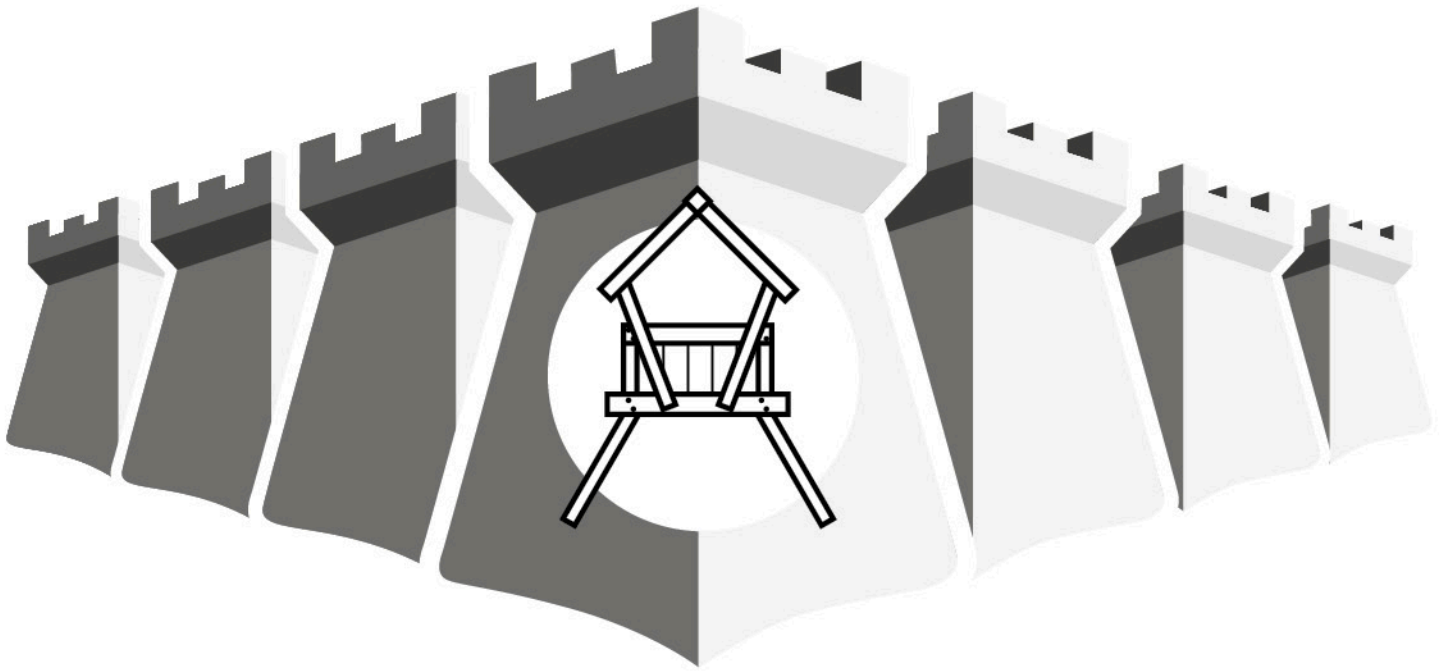


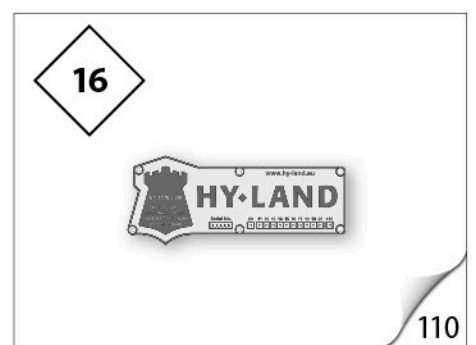
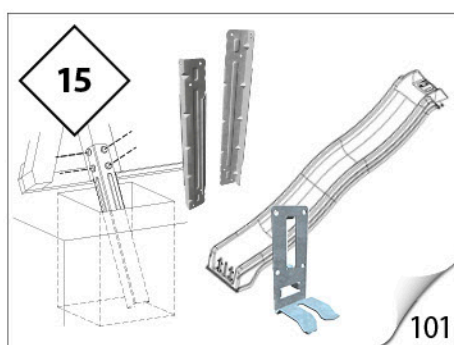
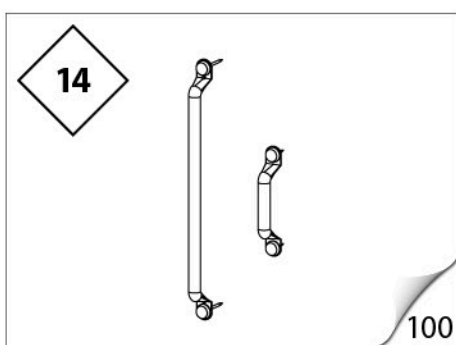
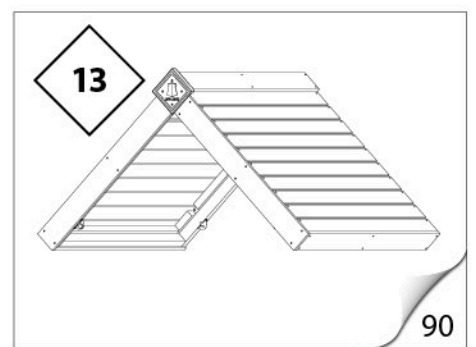
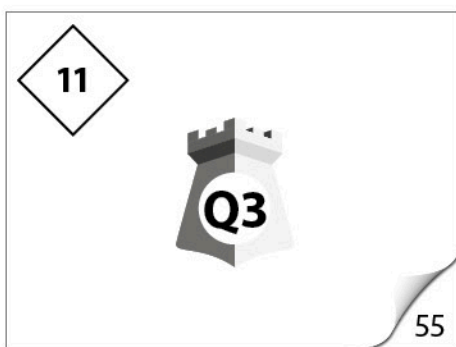
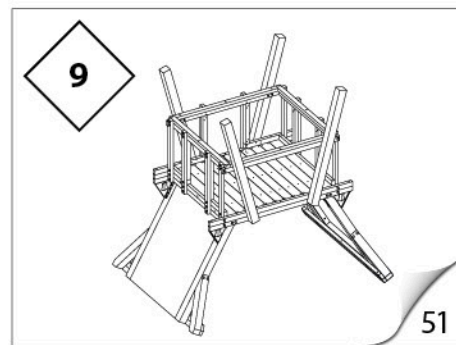
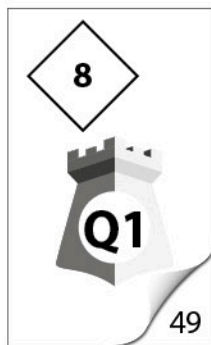
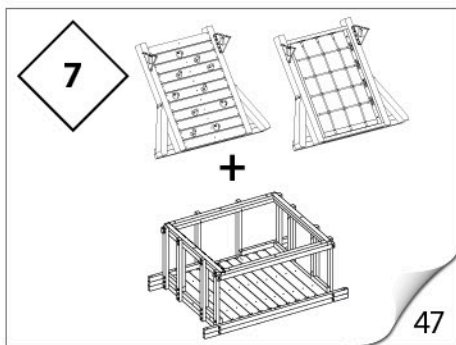
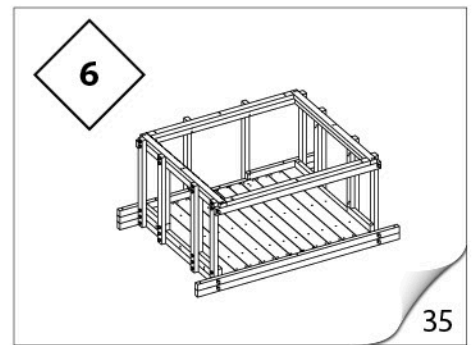
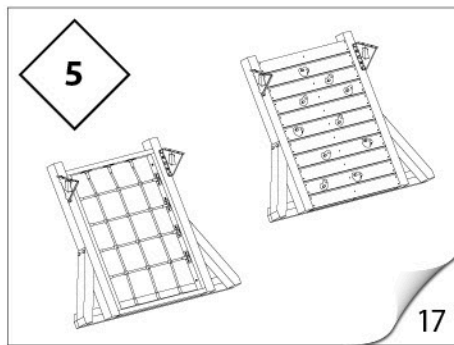
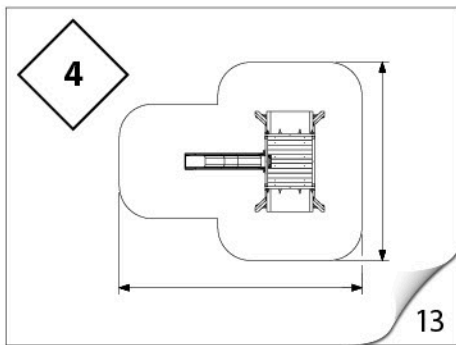
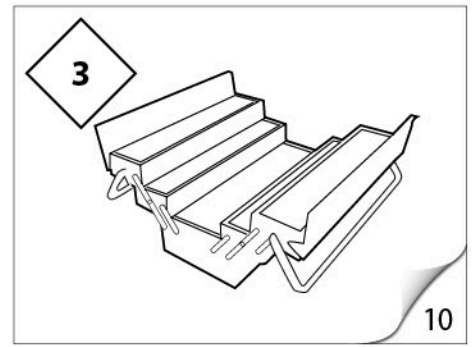
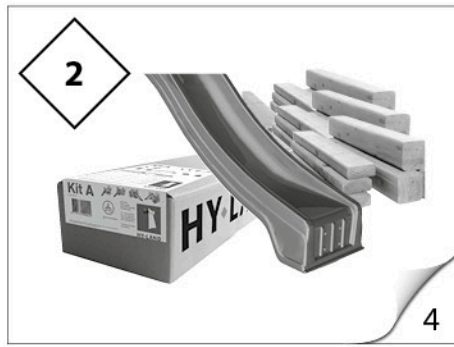
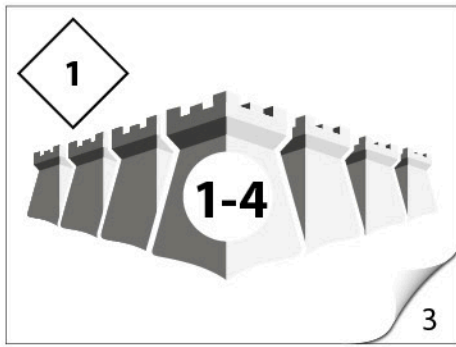
Assembly

Q Series



Owner's Manual

Assembly steps



1

Q1



1x



1x



1x



1x

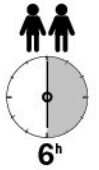


1x

+



± 0,63 m³



6^h

Q2



1x



1x



1x



1x



1x



1x

+



± 0,96 m³



8^h

Q3



1x



2x



2x



1x



1x



1x

+

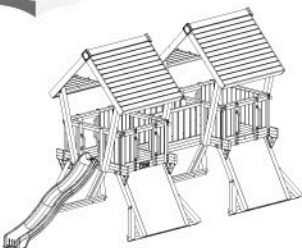


± 1,53 m³



14^h

Q4



1x



2x



2x



2x



2x



1x

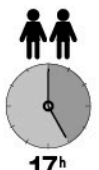


1x

+



± 1,96 m³



17^h

2.1a



11_001_1030_105_25



11_002_1010_203_25



10_209_2071_103_24



4x
10_032_5013_425_01



10_460_0xxx_xxx_xx



2x
11_003_3030_101_06



10_030_5042_216_04



2x
10_032_5012_425_01



2x
10_032_5013_225_01



10_467_3040_202_26



2x
10_030_5071_110_01



10_026_5041_215_01



10_030_5042_116_04



ø11 mm

11_002_1010_404_25



ø25 mm

10_036_7026_162_01



ø10 mm

10_036_7021_162_01



ø8 mm

10_036_7014_140_01



2x

ø5 mm

10_036_7012_140_01



2x

ø3,5 mm

10_037_7062_160_01



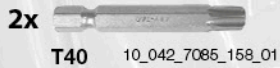
M8

10_036_7057_142_01



1x

10_209_2031_105_05



2x

T40 10_042_7086_158_01



2x

T25 10_042_7083_158_01



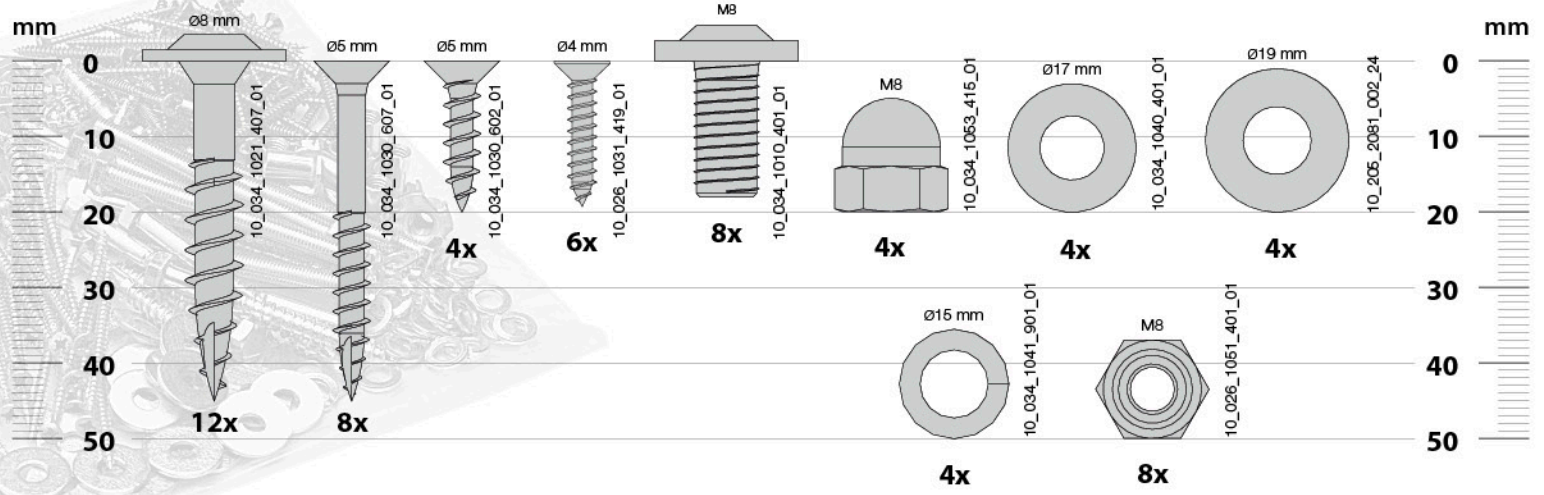
8x

10_205_2030_000_04



PH2

10_042_7087_158_01



2.1b

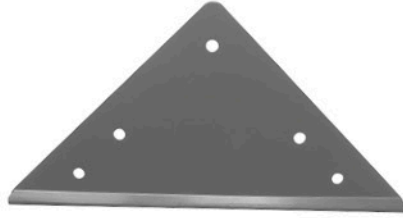


10_467_3010_404_26



2x

10_201_2075_405_04



3x

10_030_5011_001_04

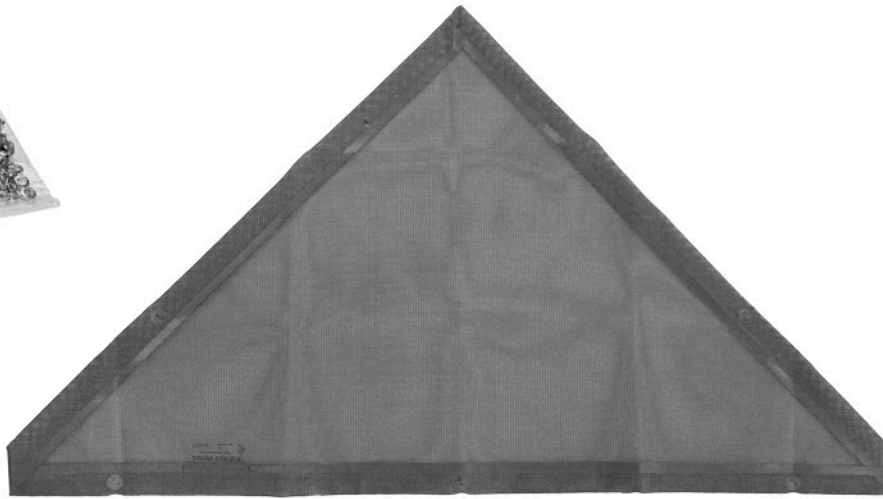


25x

10_205_2030_000_04



11_001_1010_420_25



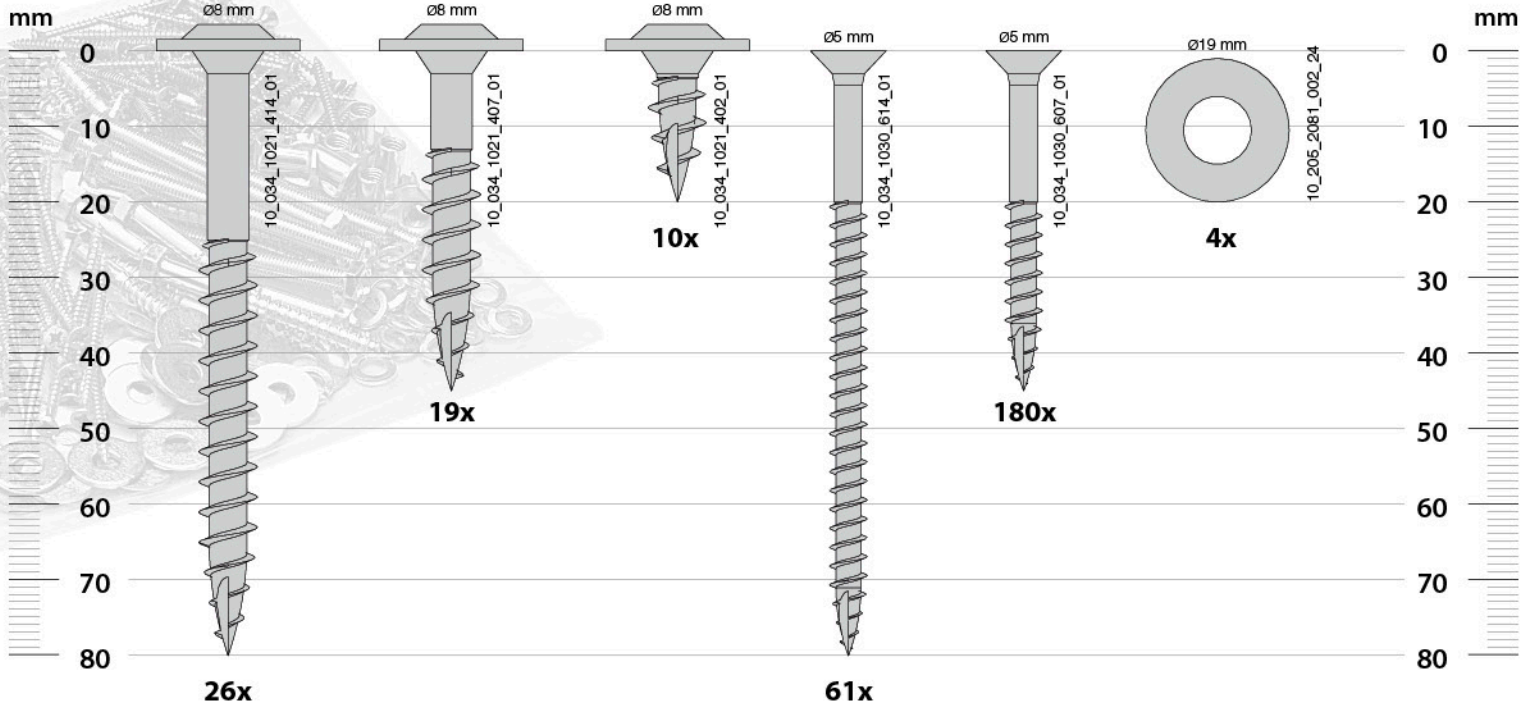
2x

11_203_1051_101_04

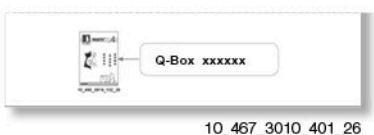


4x

10_030_5010_000_04

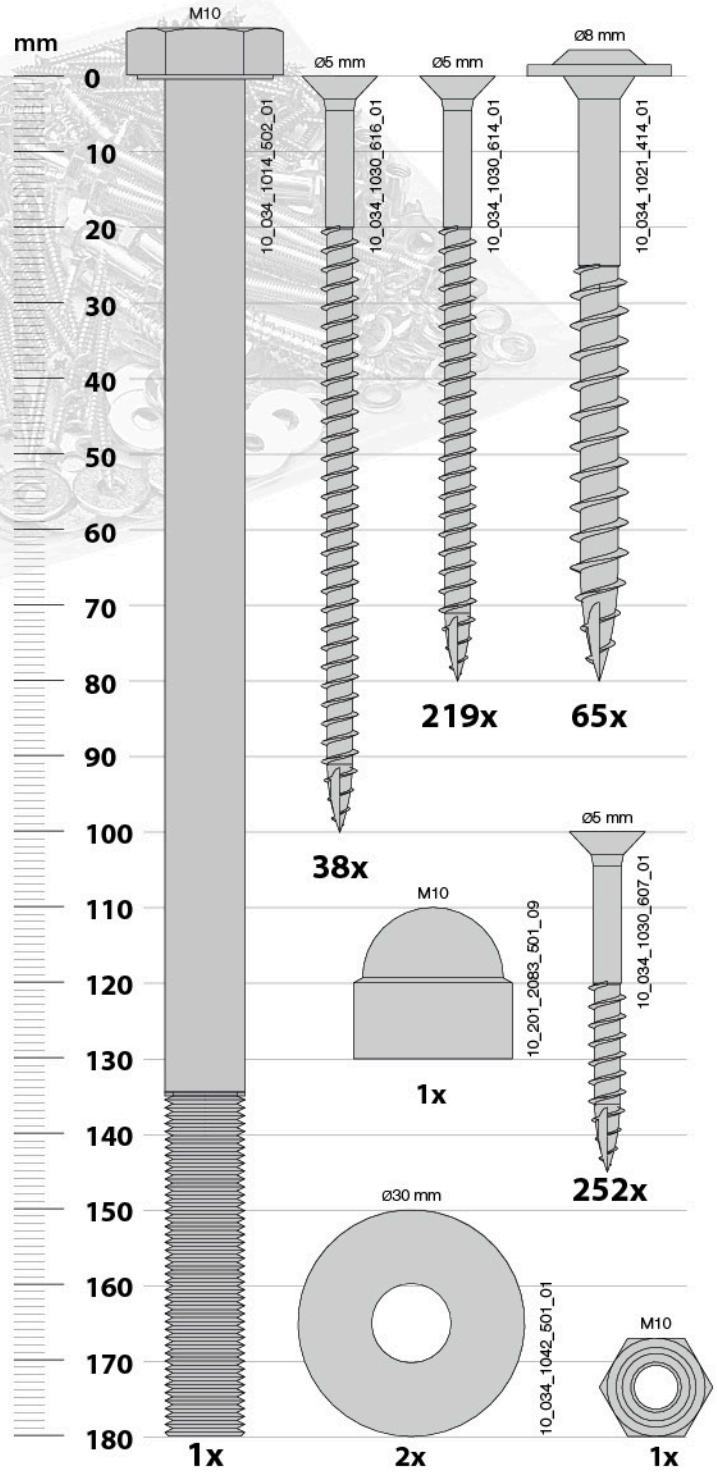


2.1c

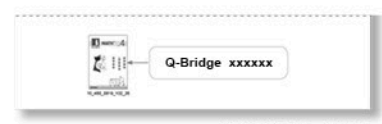


11_001_1010_405_25

10_467_3010_401_26

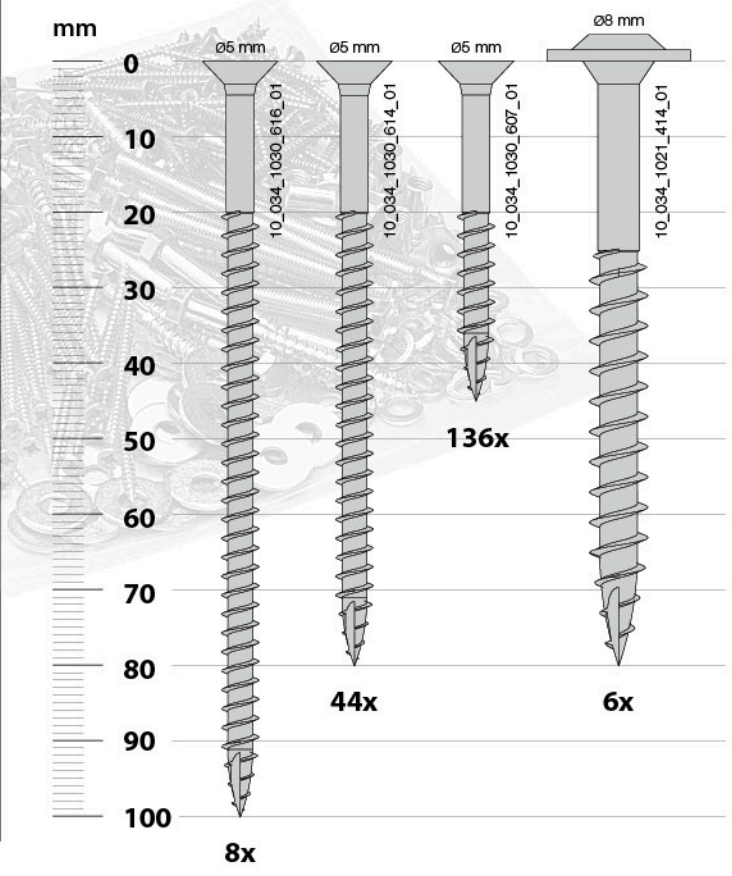


2.1d

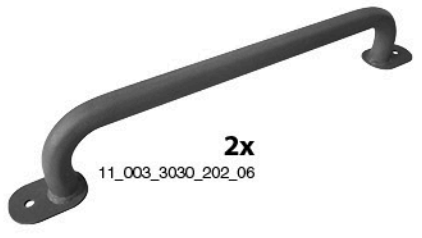


11_001_1010_425_25

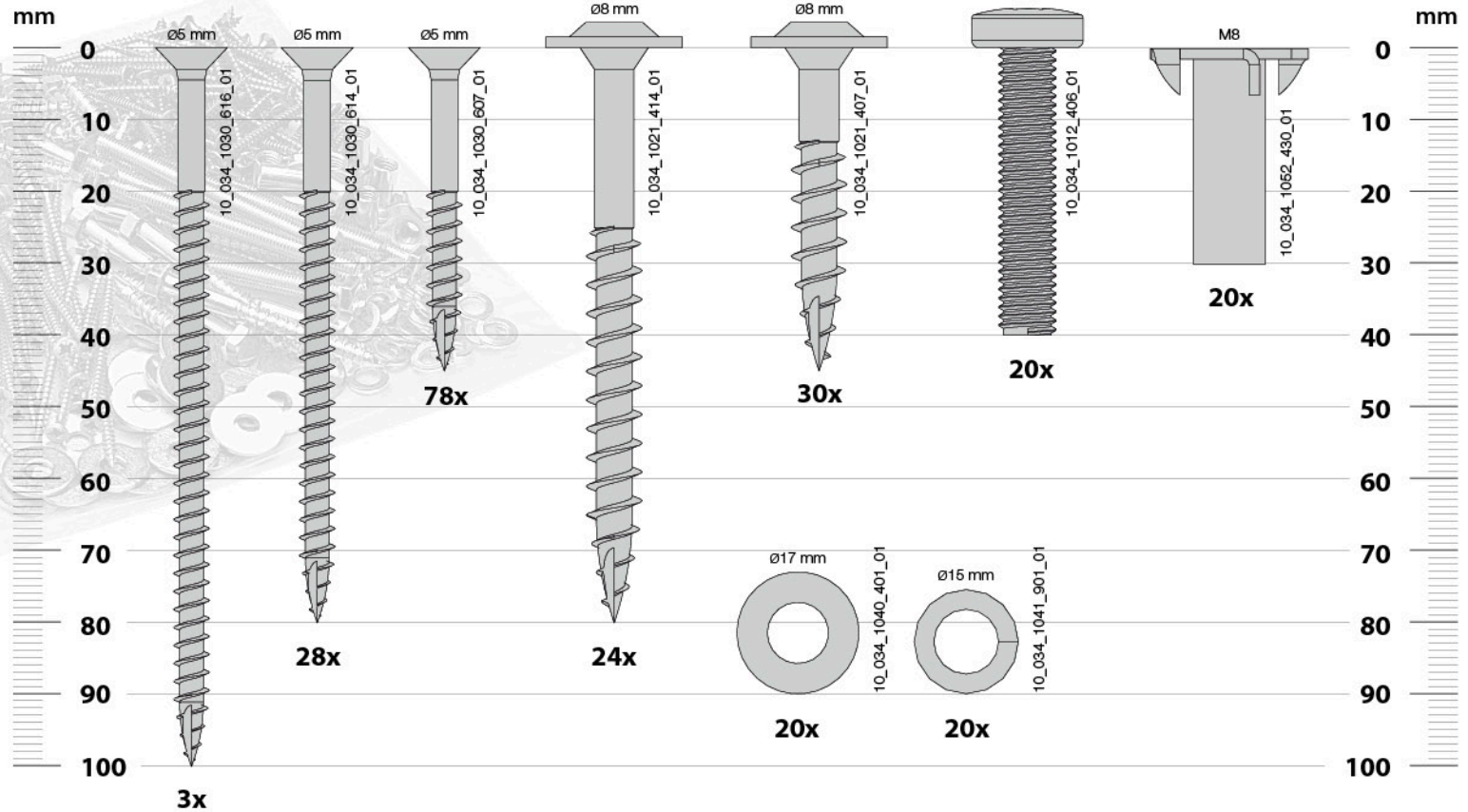
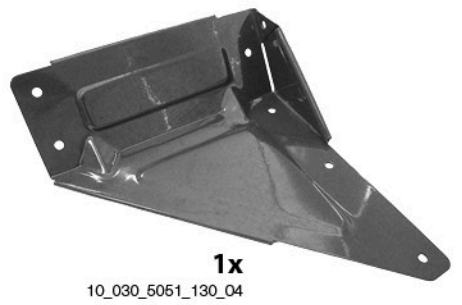
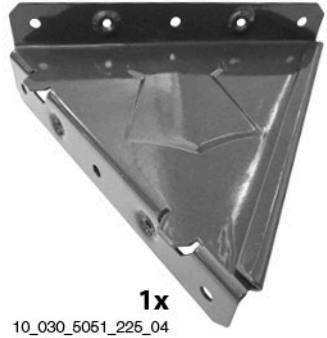
10_467_3010_405_26



2.1e



10_467_3010_402_26



2.1f



10_467_3010_403_26



11_001_1010_415_25



14x
10_030_5051_235_04



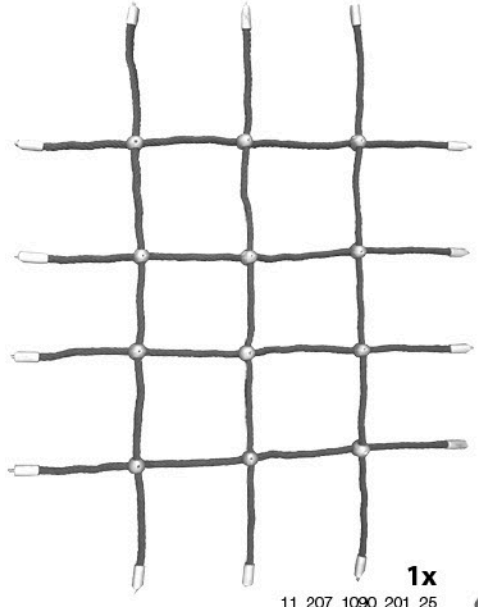
1x
10_030_5051_225_04



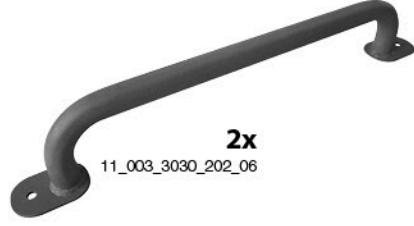
36x
10_205_2030_000_04



1x
10_030_5051_125_04



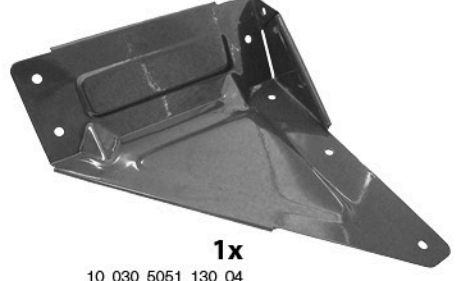
1x
11_207_1090_201_25



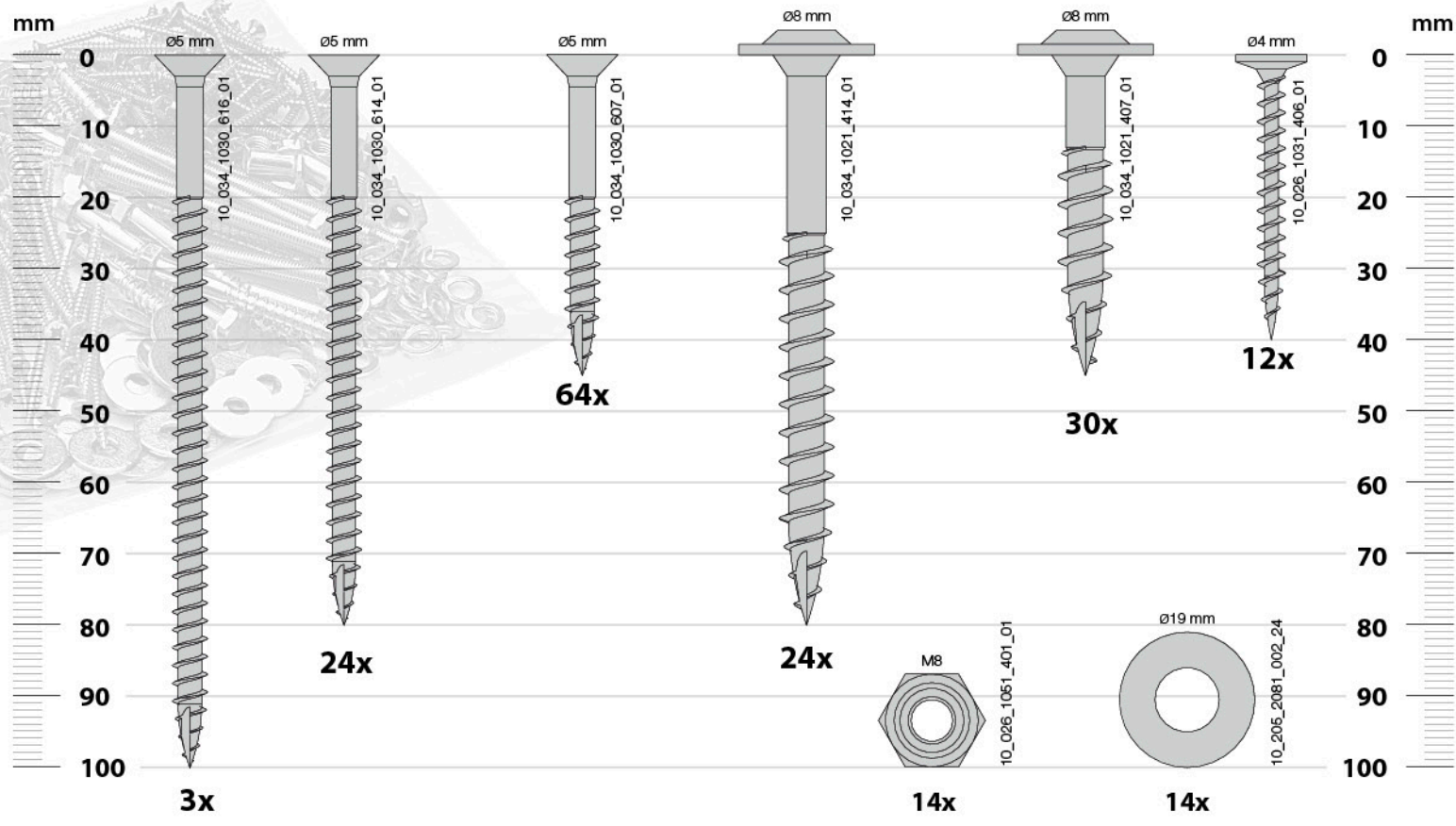
2x
11_003_3030_202_06



1x
10_030_5051_230_04

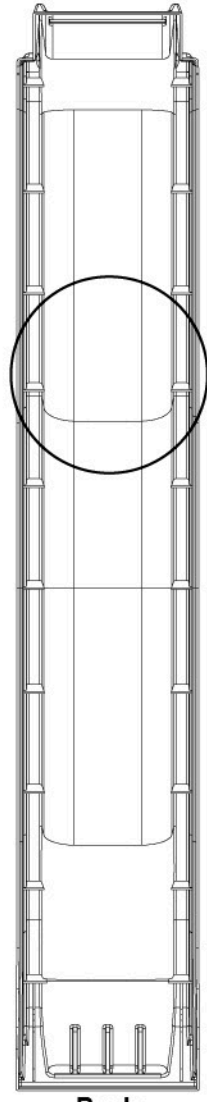


1x
10_030_5051_130_04

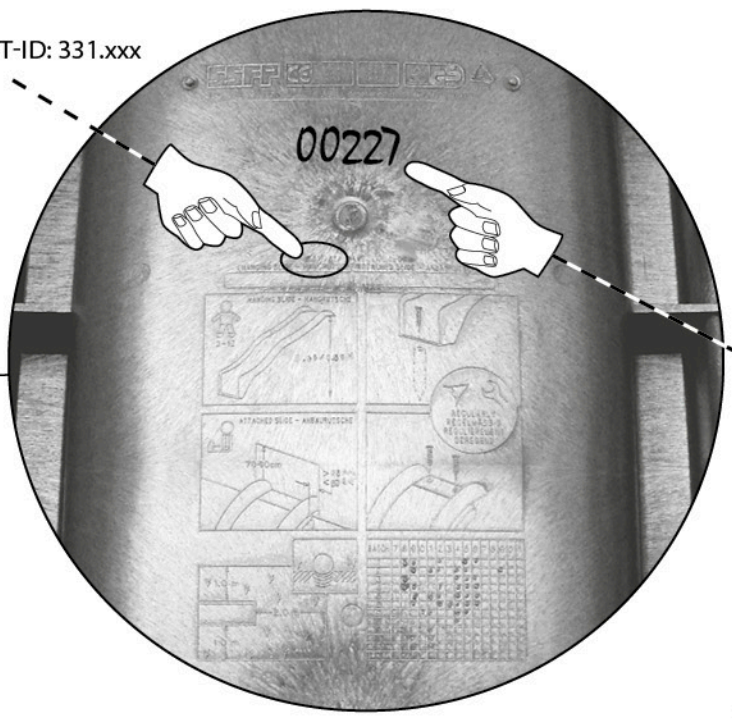


2.2

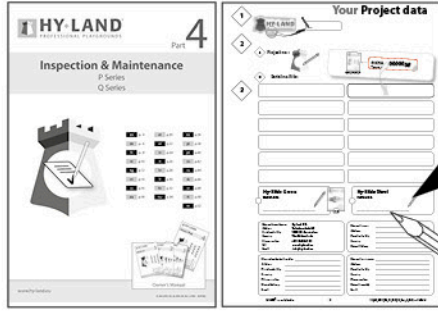
Hy-Slide™



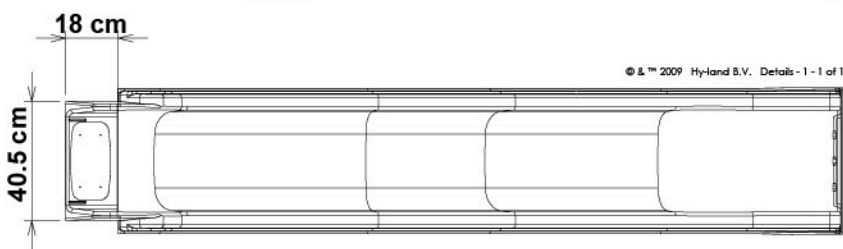
PART-ID: 331.xxx



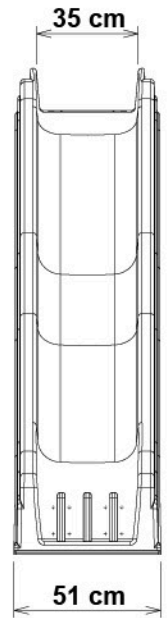
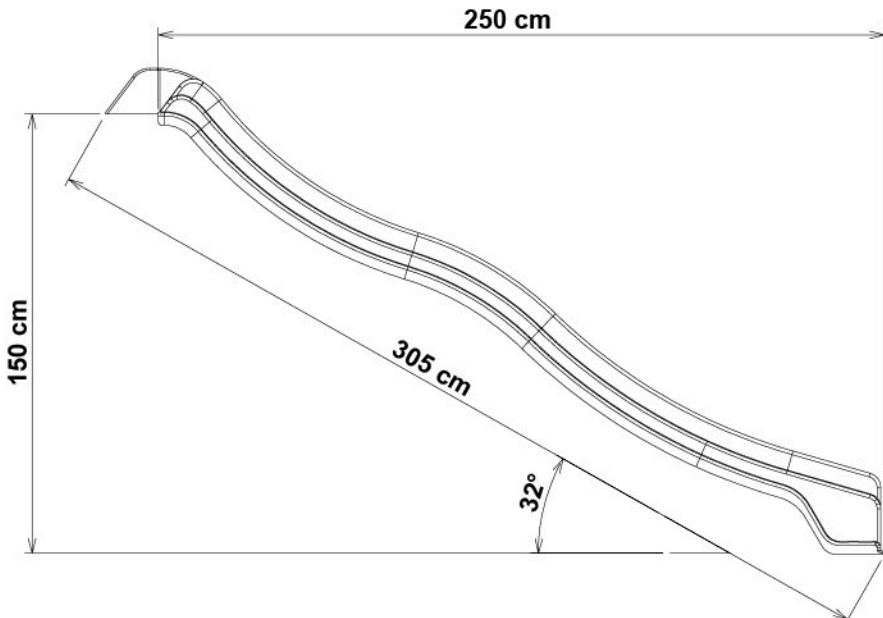
SERIAL NO.



10_460_0819_106_26

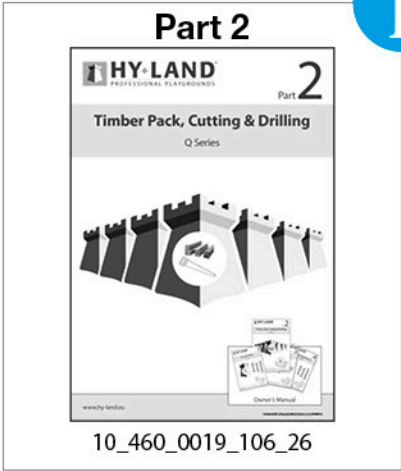
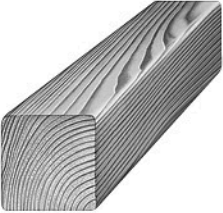


© & ™ 2009 Hy-land B.V. Details - 1 - 1 of 1



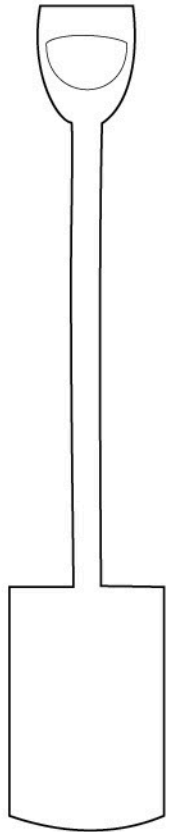
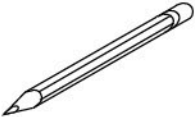
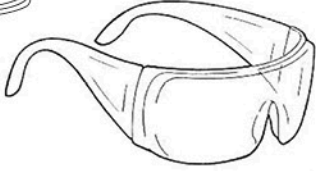
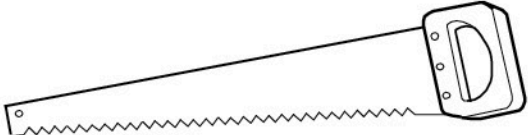
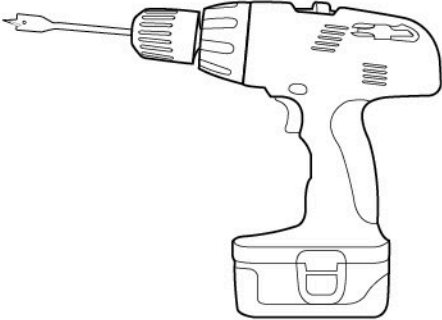
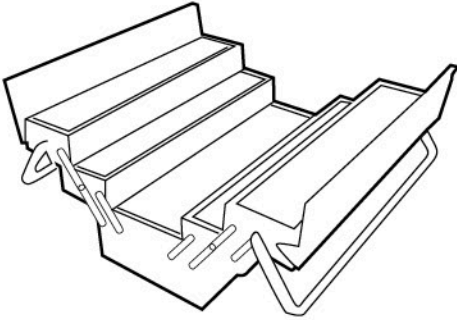
2.3

Timber



3.1

Tools

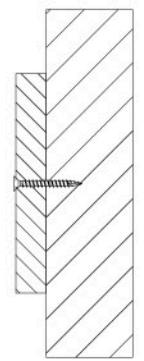
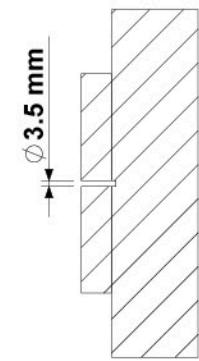
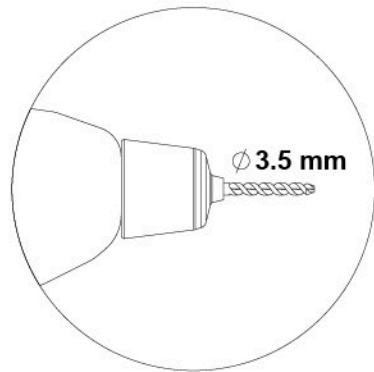
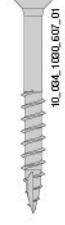


3.2

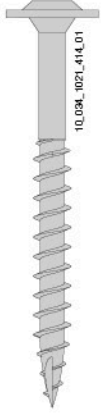
80 mm



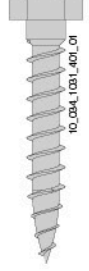
45 mm



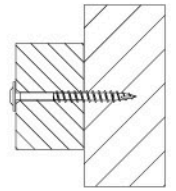
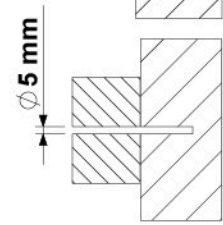
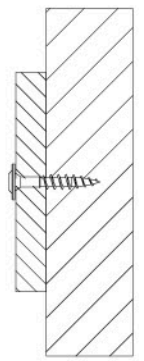
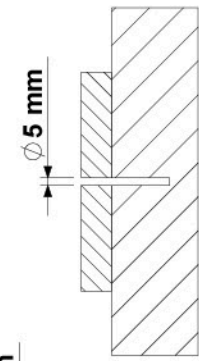
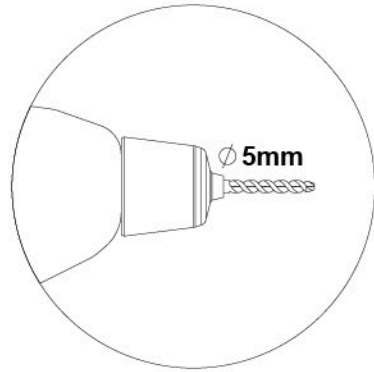
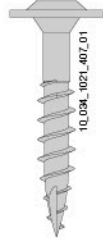
80 mm



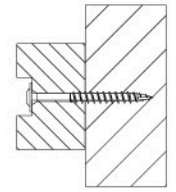
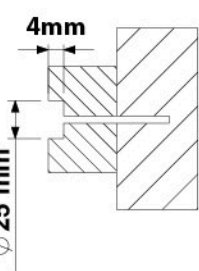
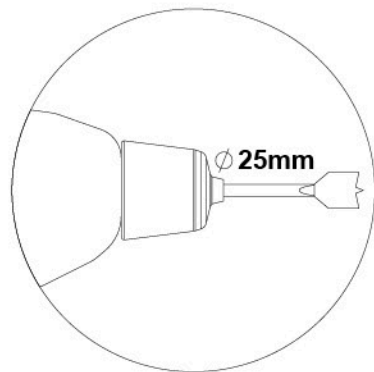
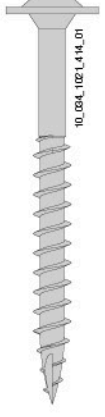
50 mm



45 mm



80 mm

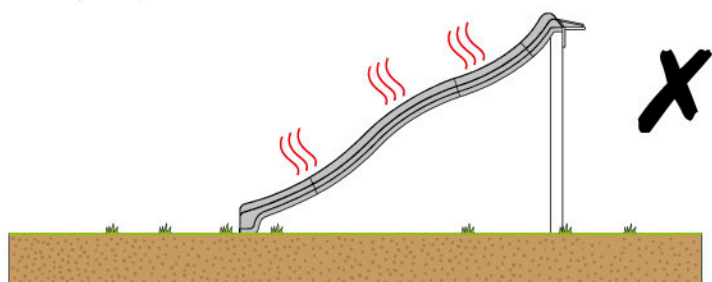
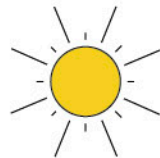
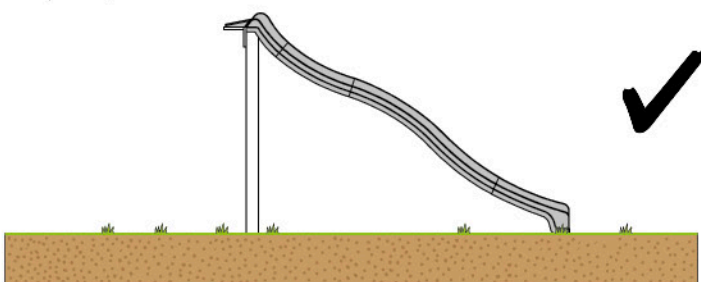
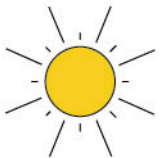
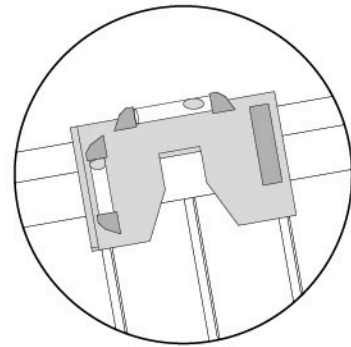
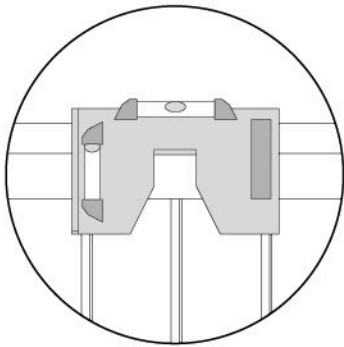
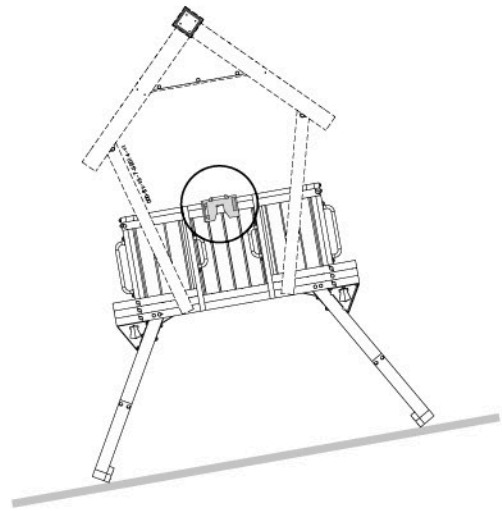
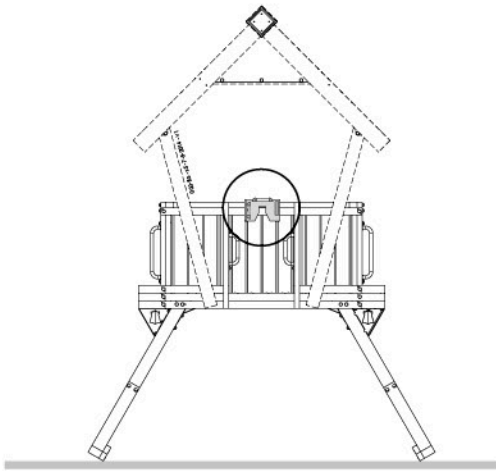
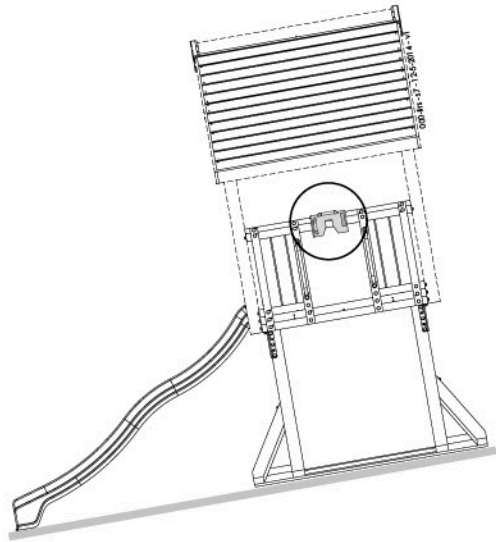
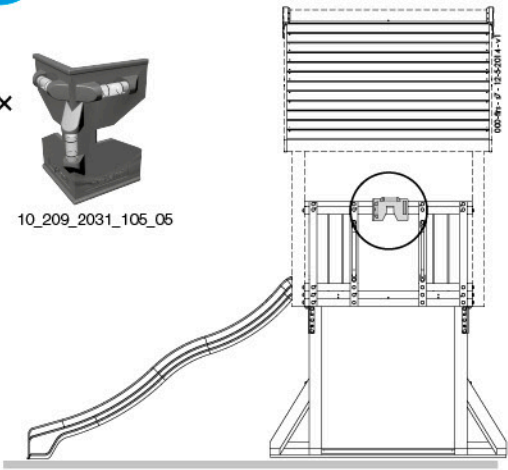




1x

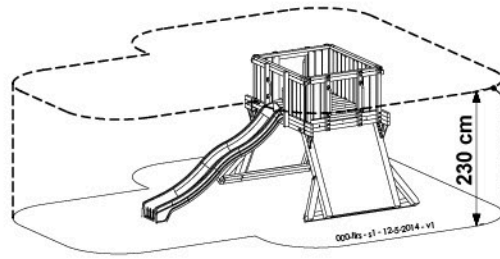


10_209_2031_105_05



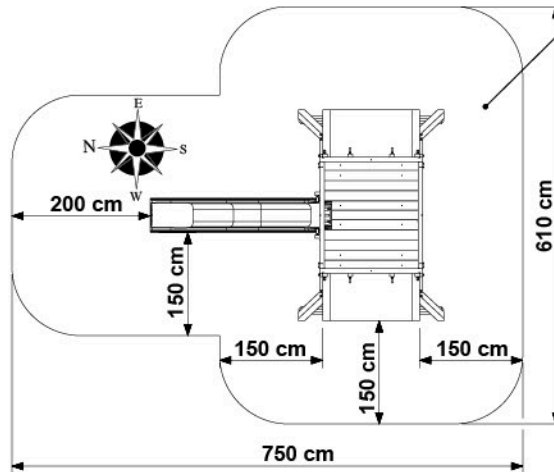
4

Q1

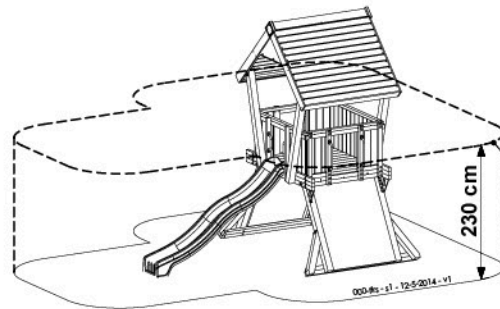


Part 1

4

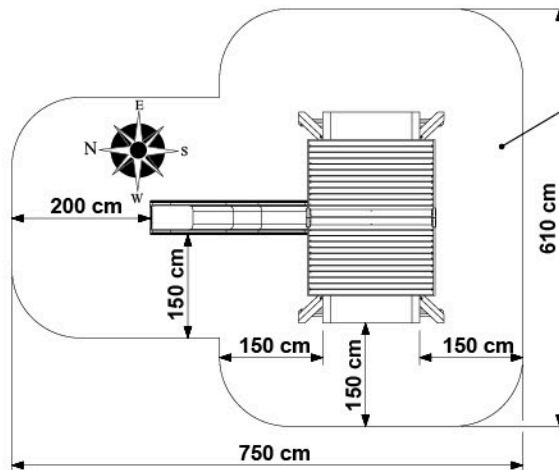


Q2



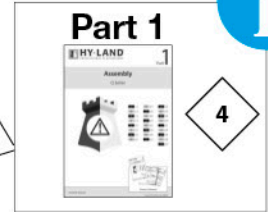
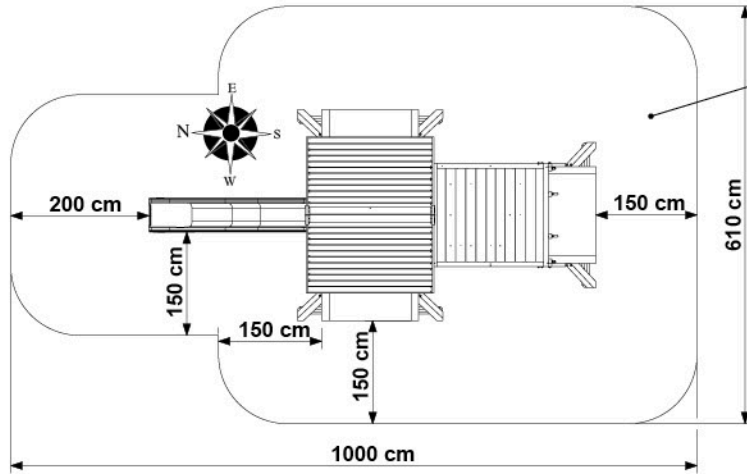
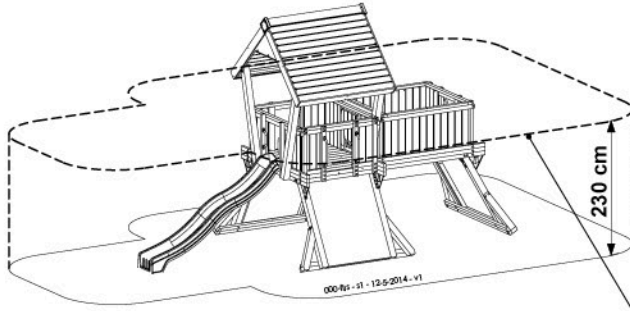
Part 1

4

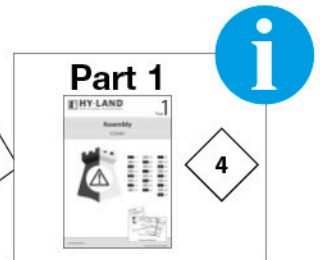
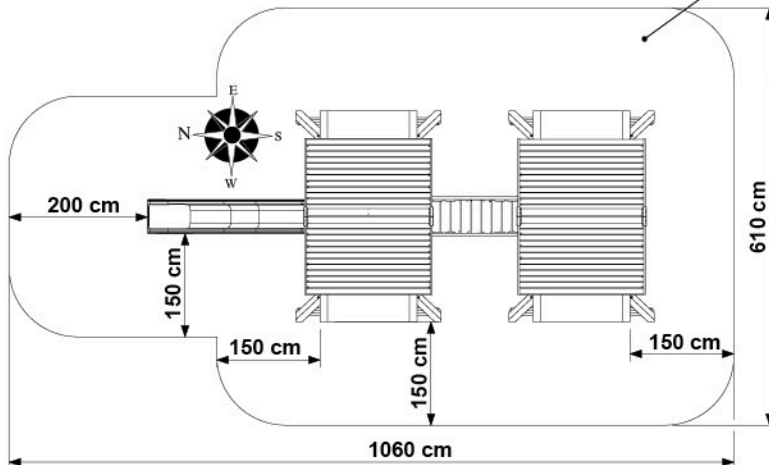
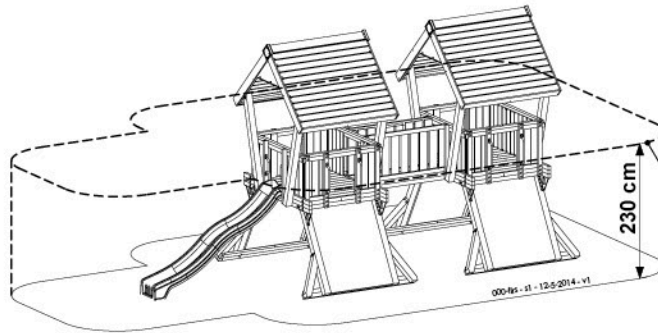


4

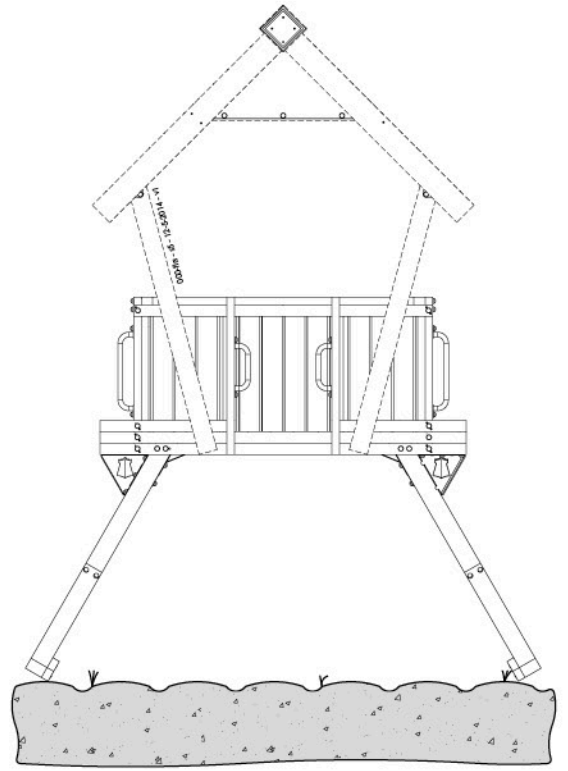
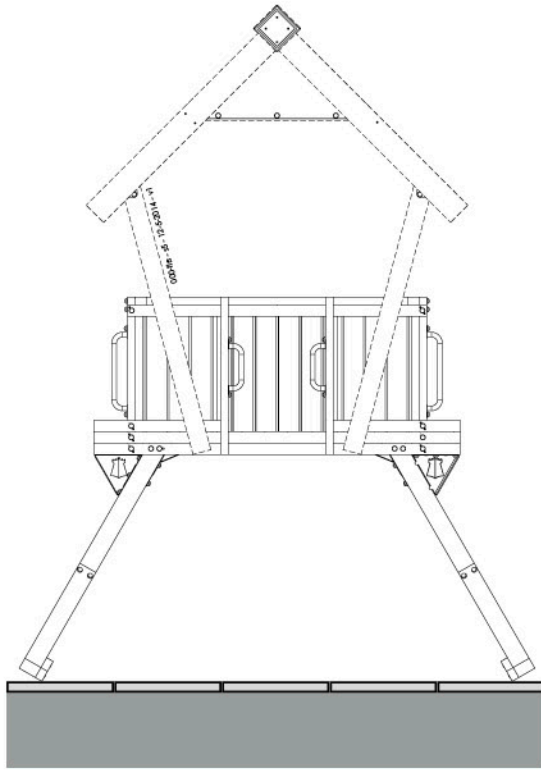
Q3



Q4



4.1



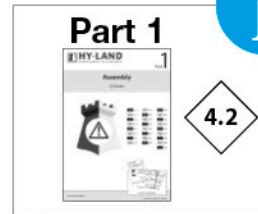
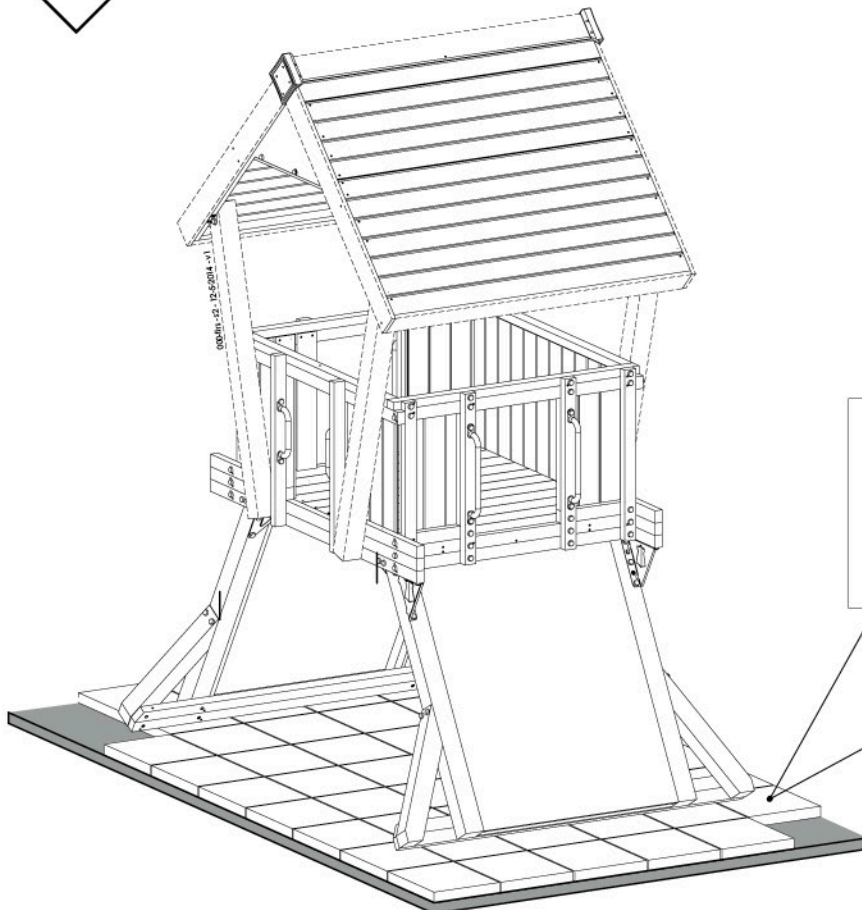
4.2



4.2



4.3



4.2

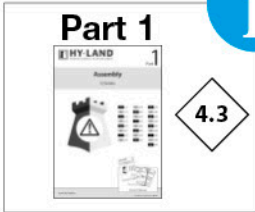
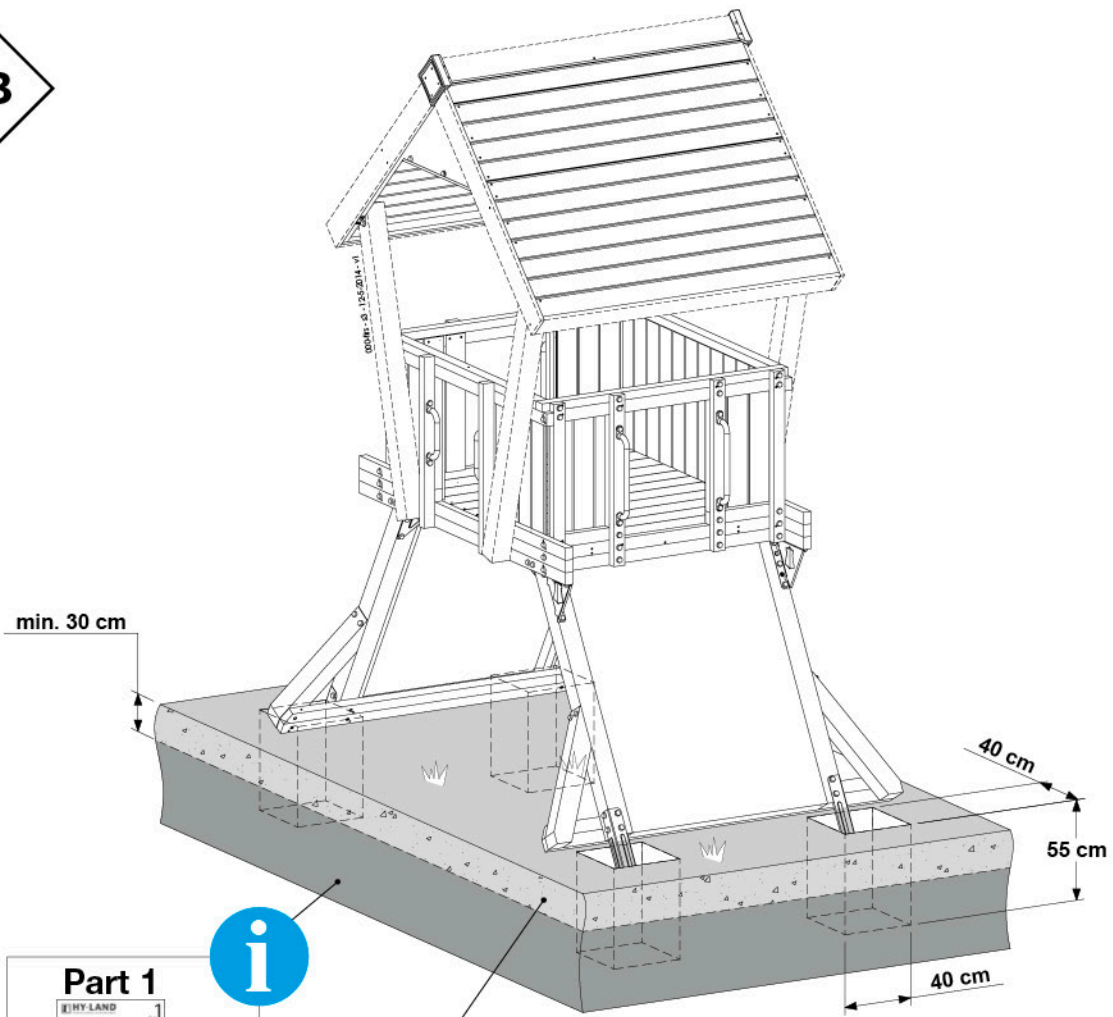


EN 1176:2008



5

4.3

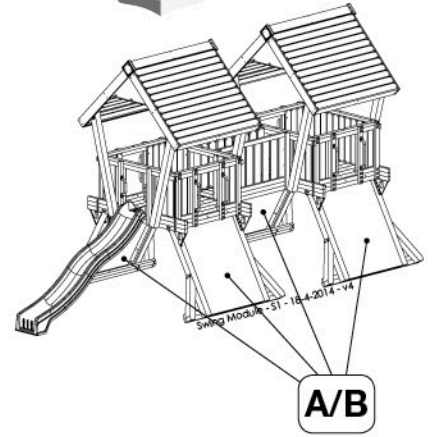
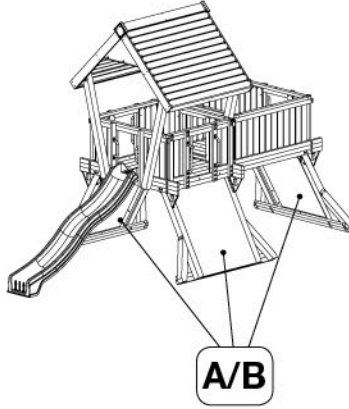
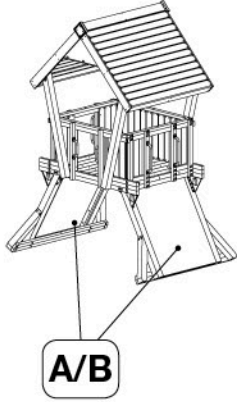
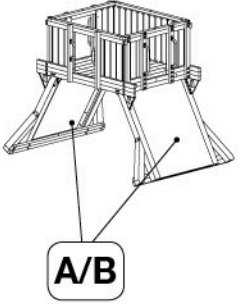


4.3

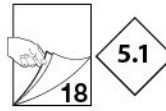
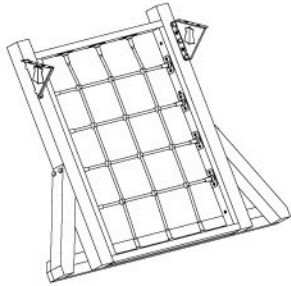


EN 1176:2008

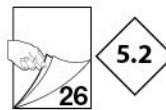
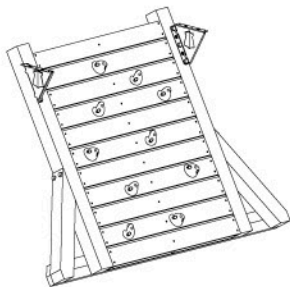
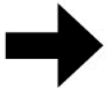
5



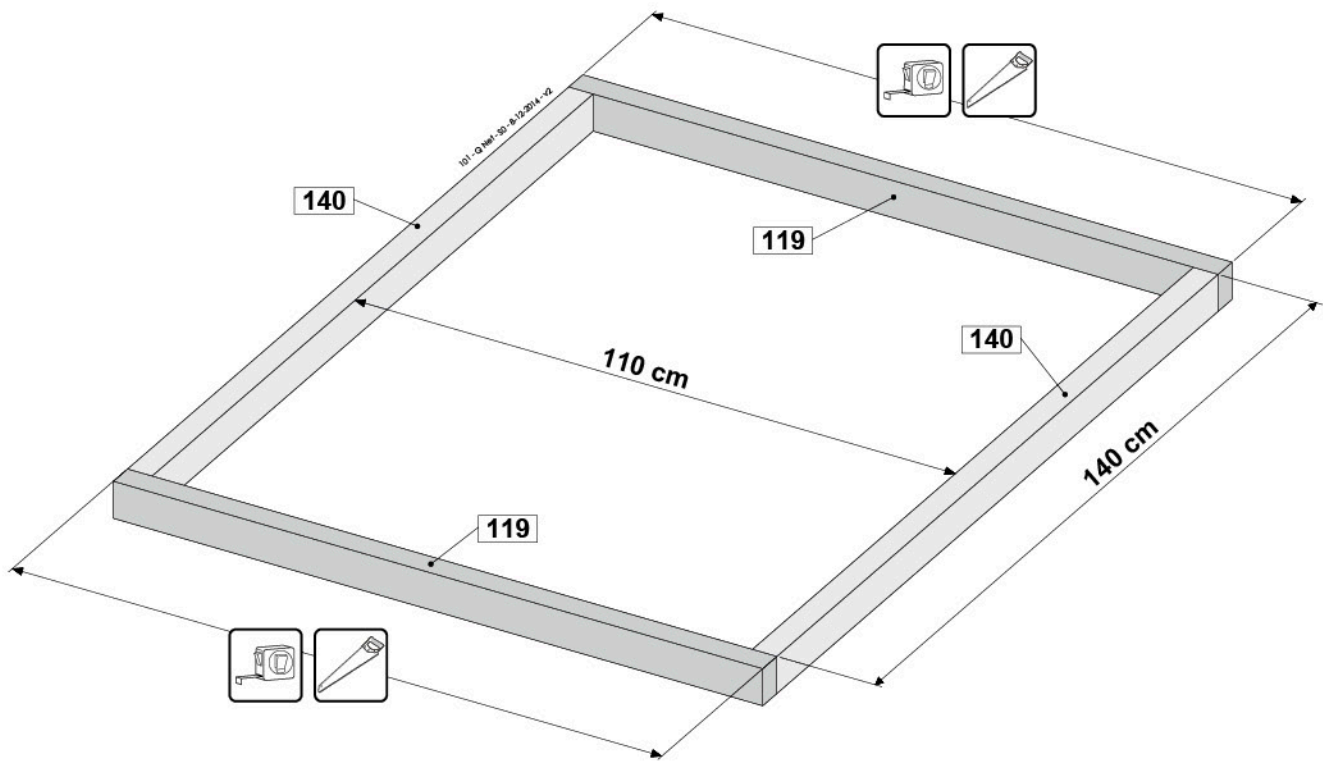
A



B

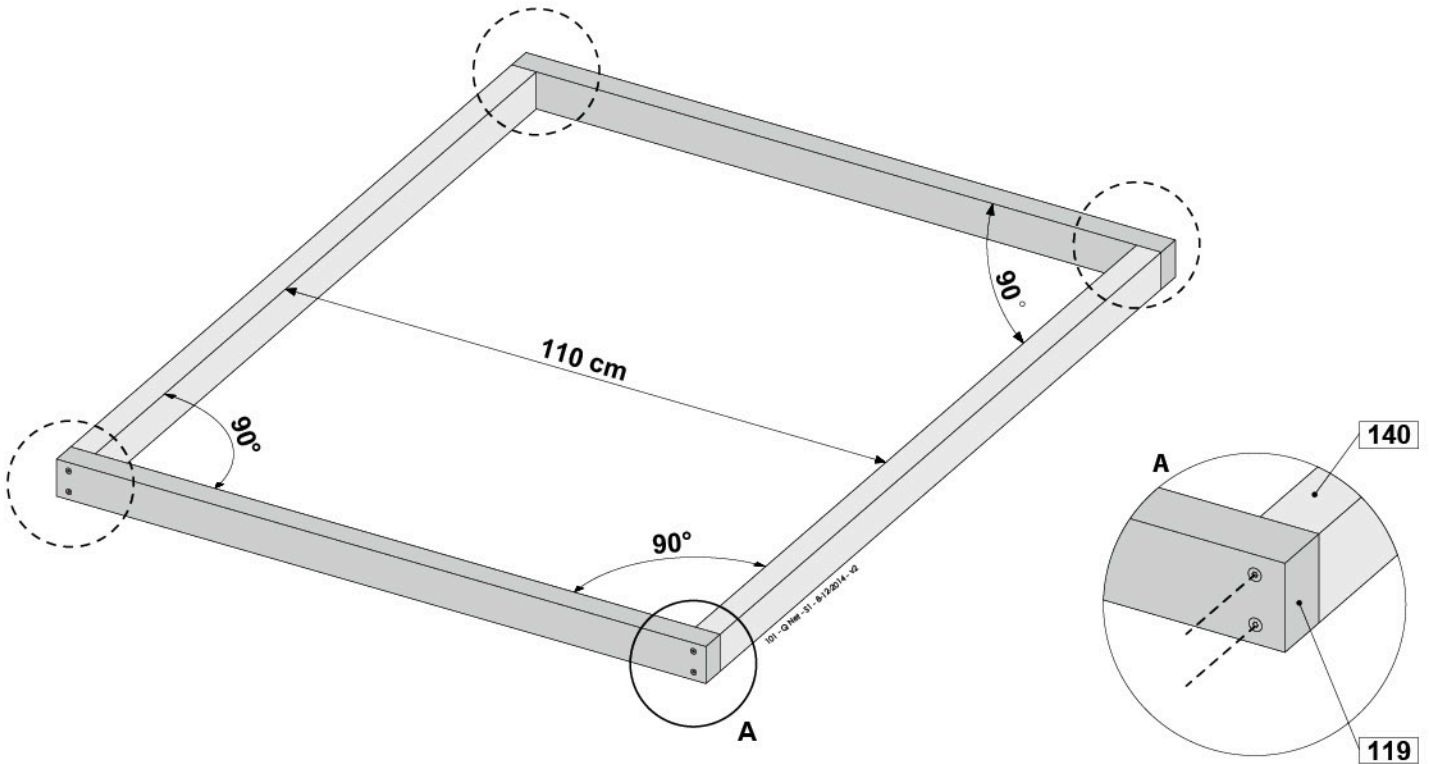


5.1a

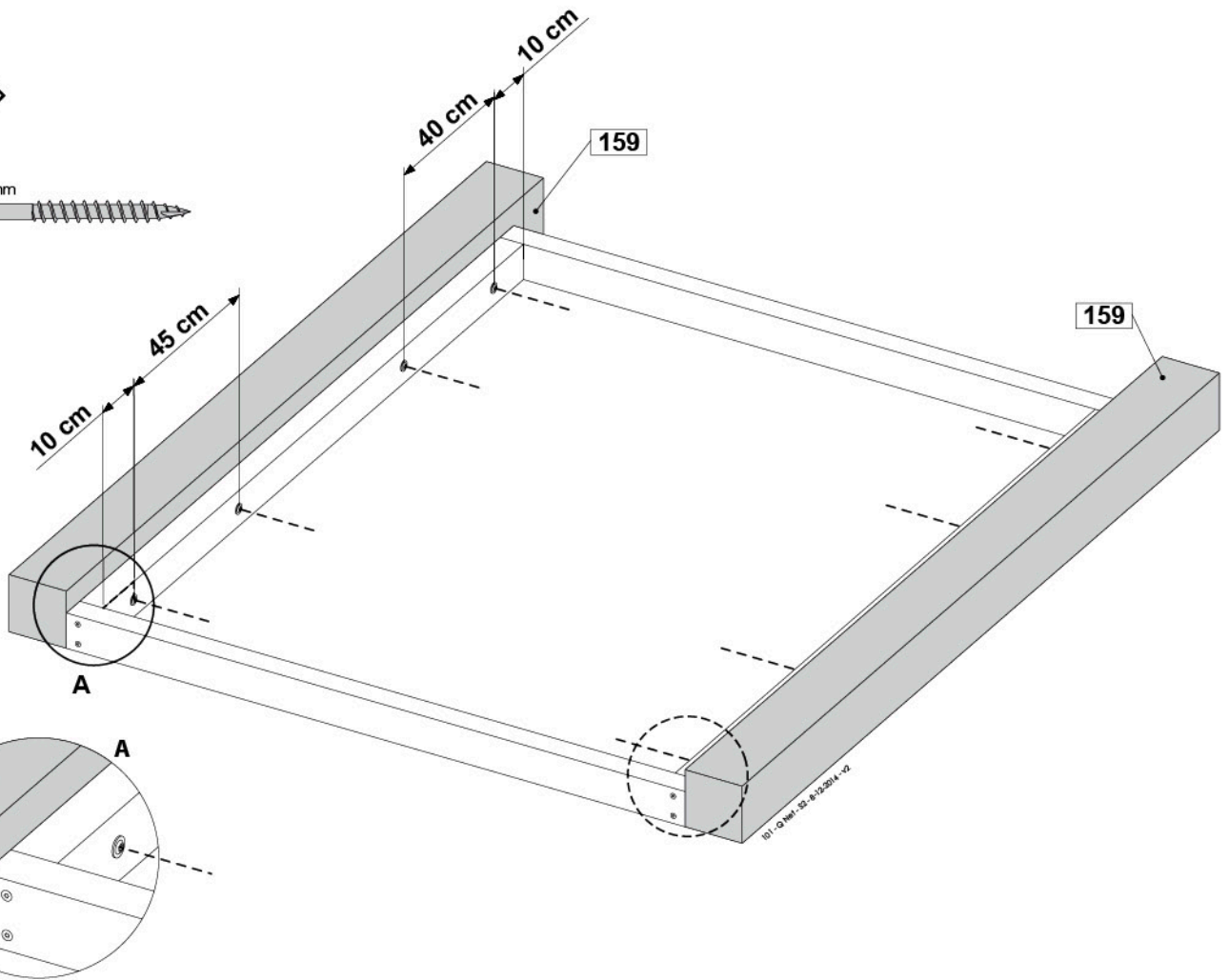


5.1b

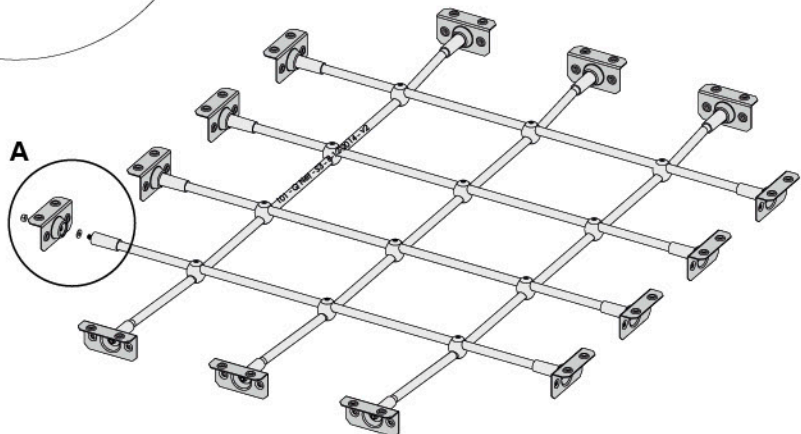
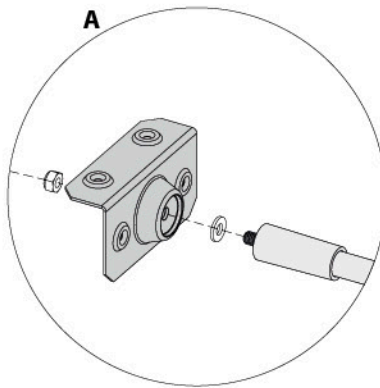
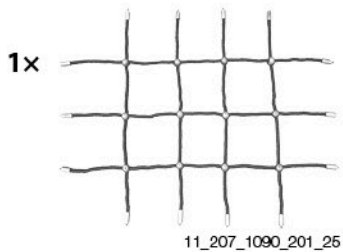
8x 80 mm



5.1c

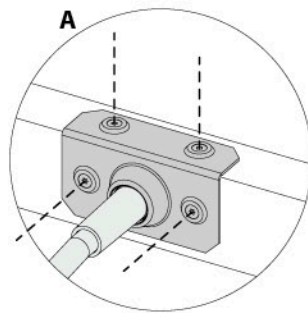
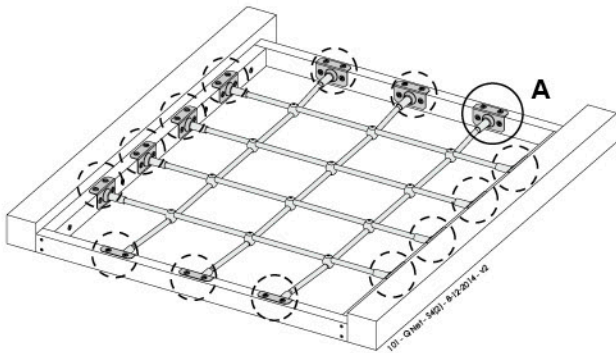
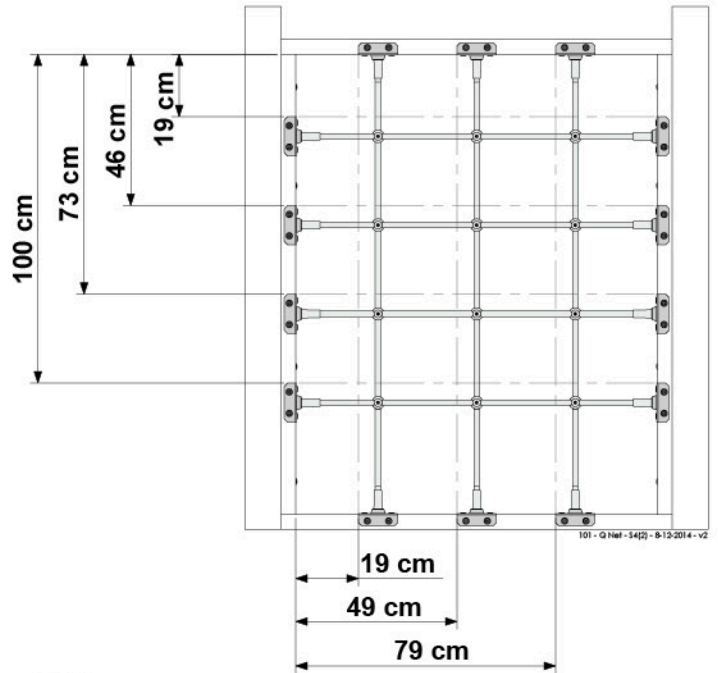
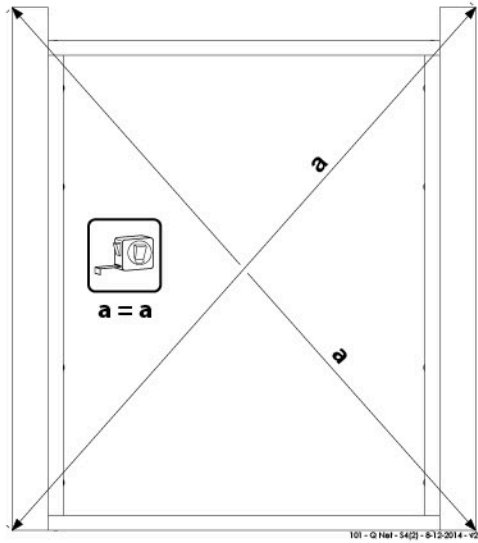


5.1d

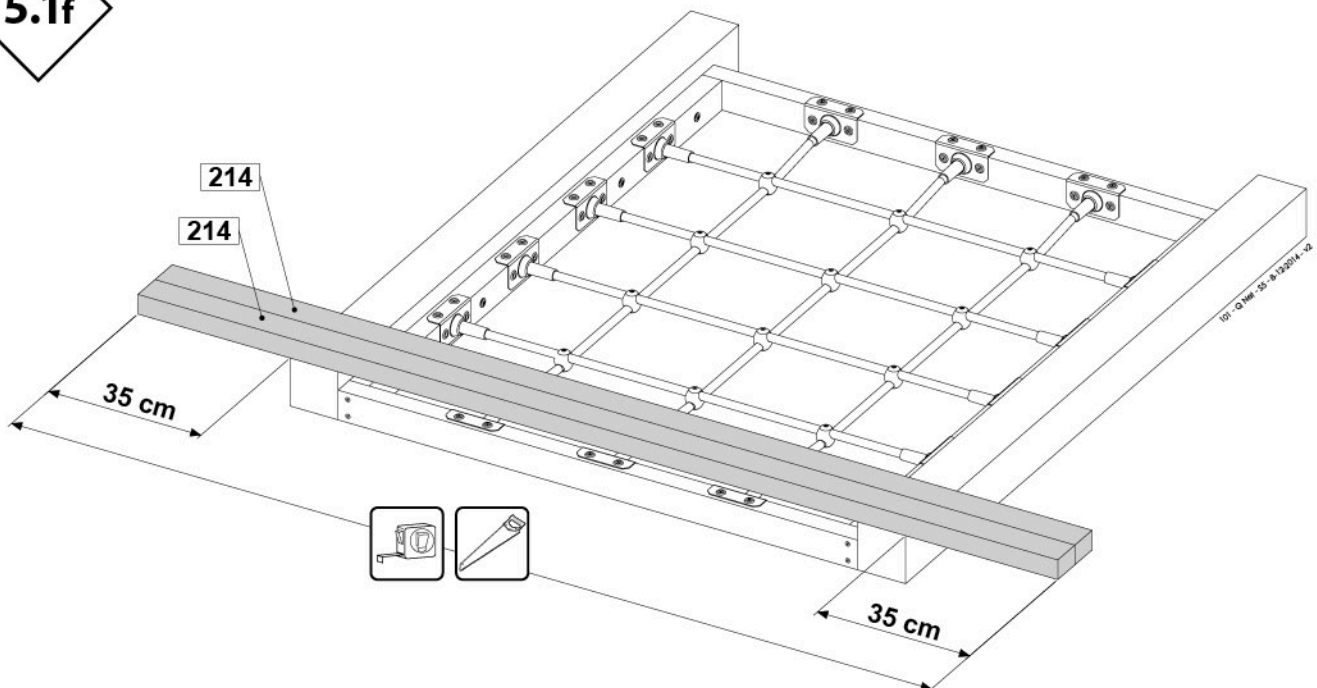


5.1e

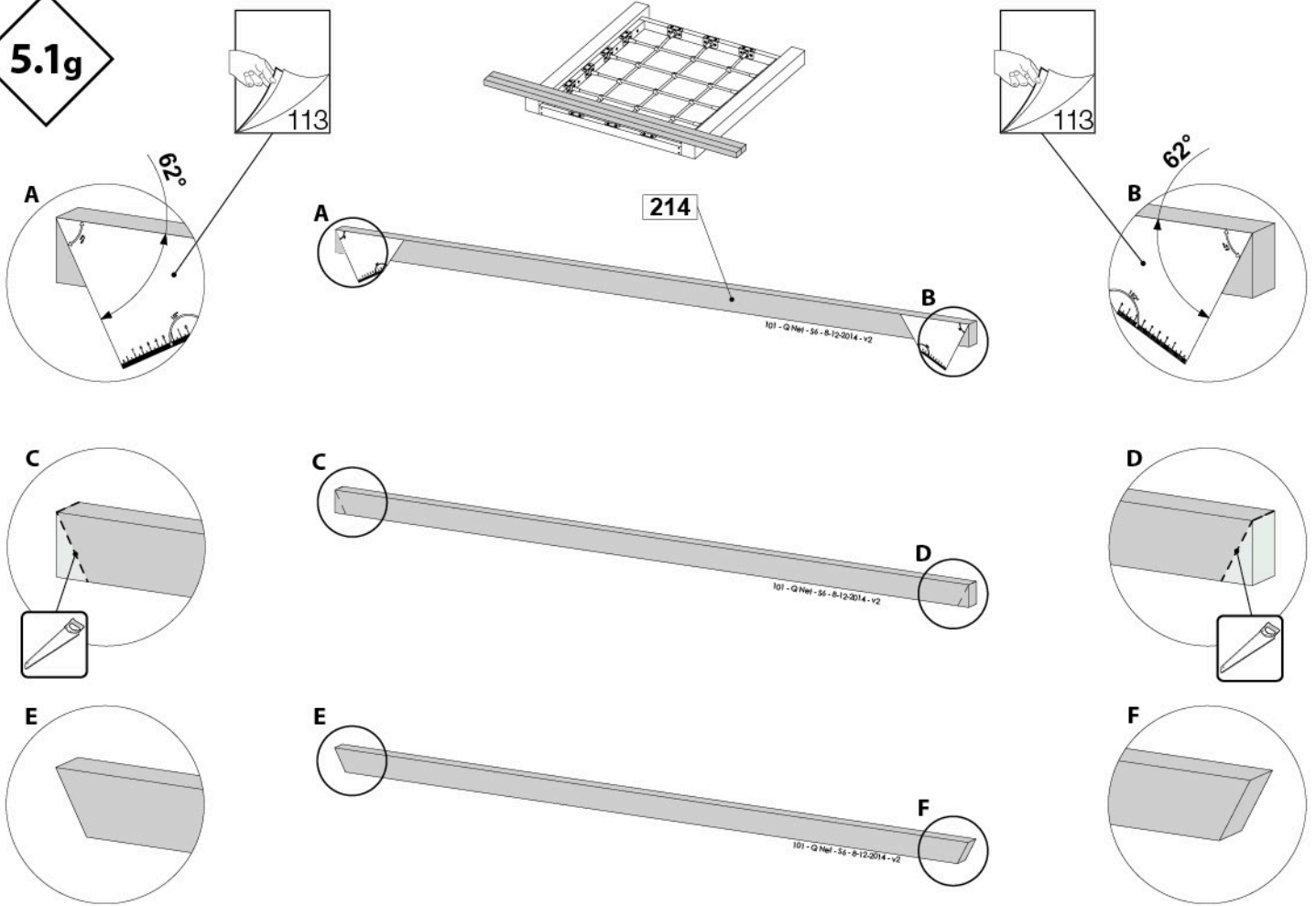
56x 45 mm 



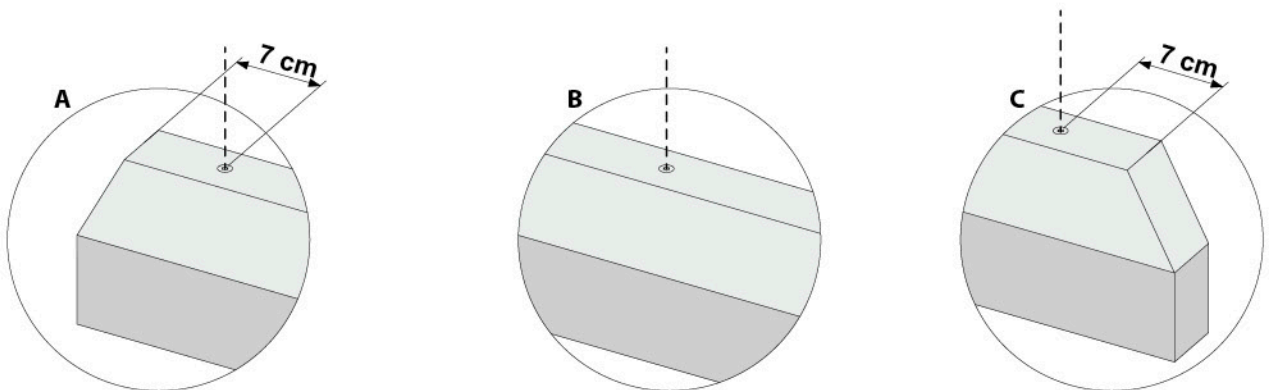
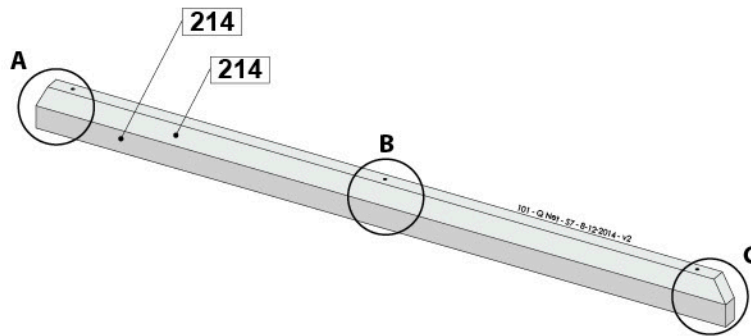
5.1f



5.1g

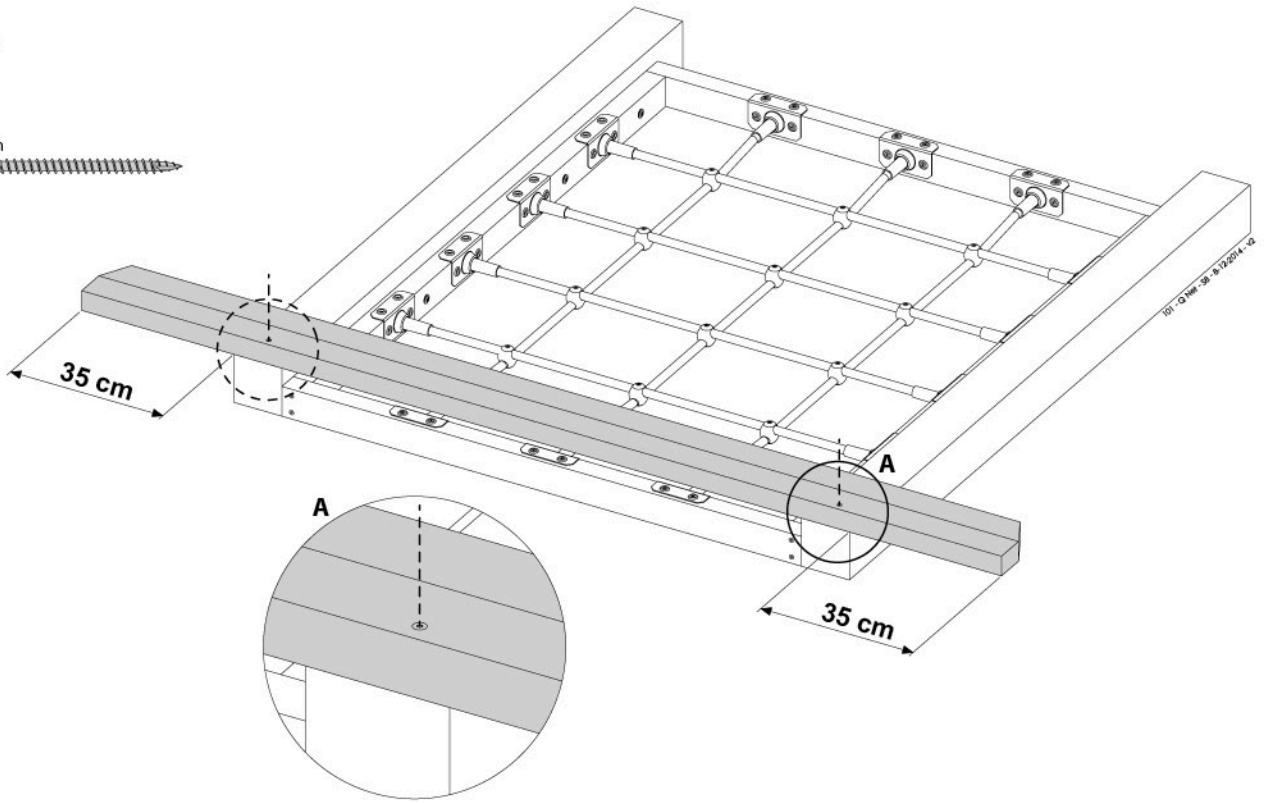


5.1h



5.1i

2x 80 mm

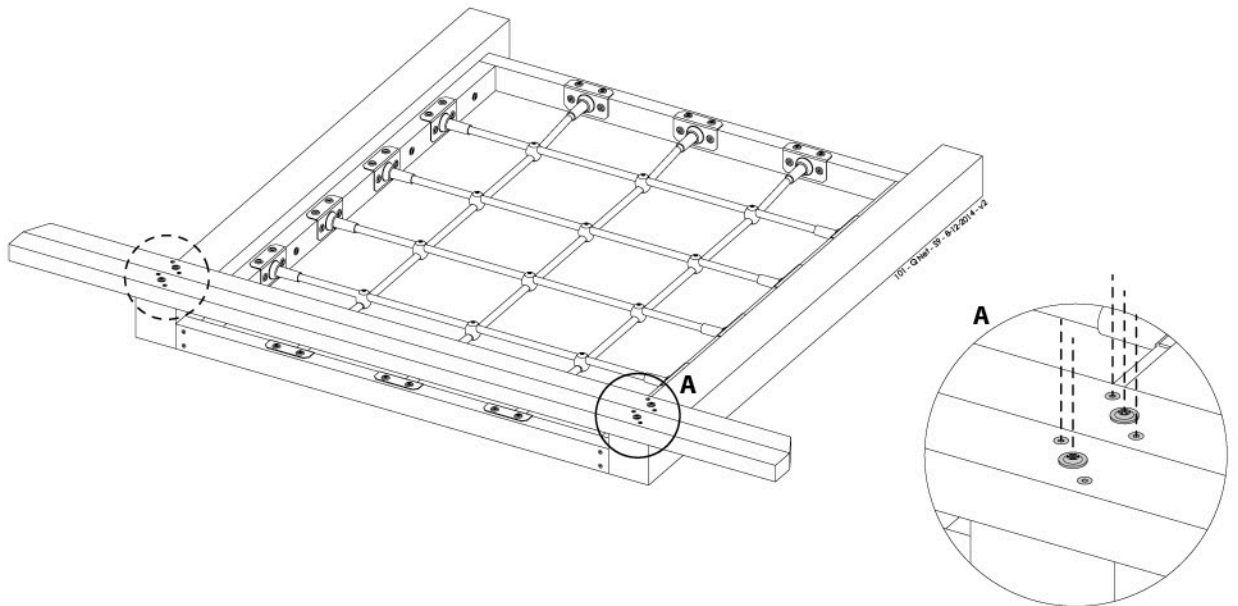
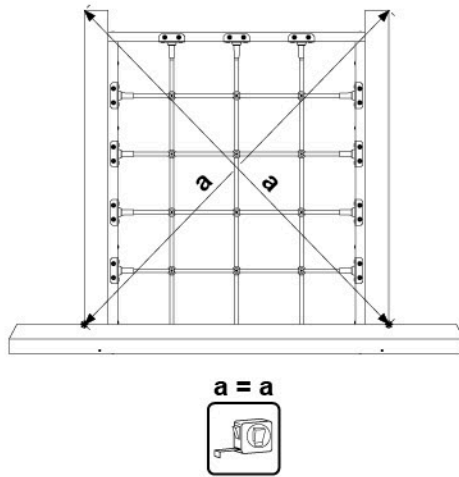



5.1j

4x 80 mm

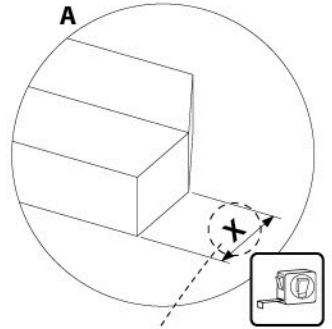
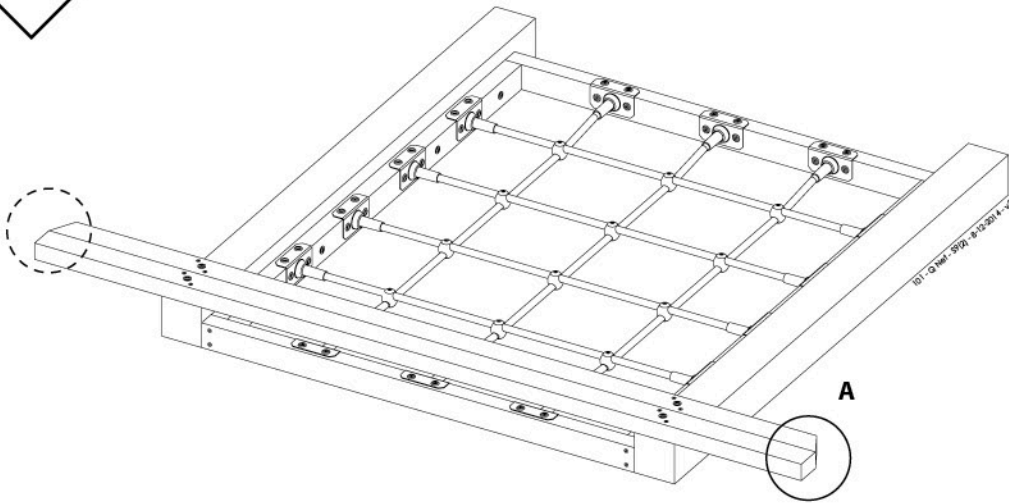


6x 80 mm

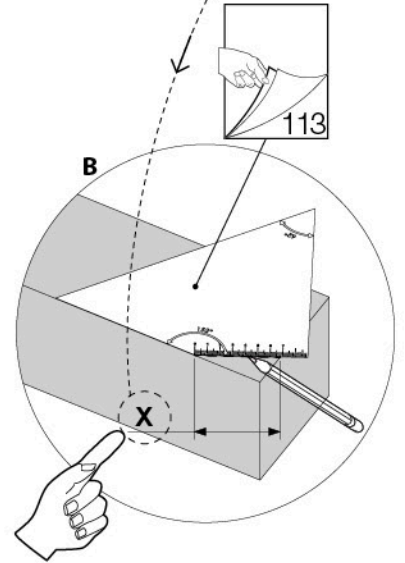
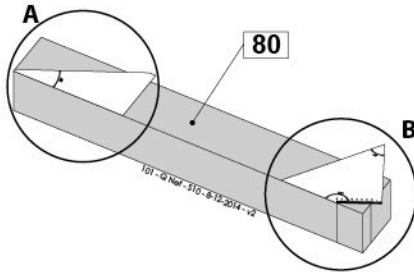
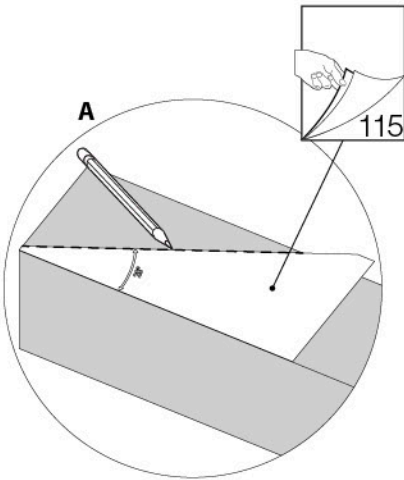



5.1k

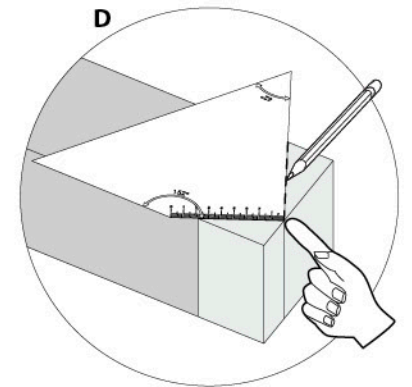
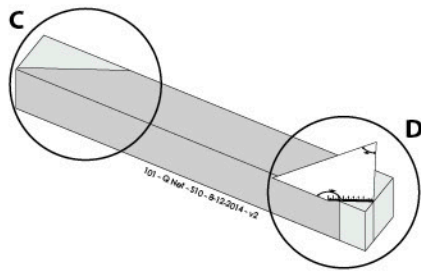
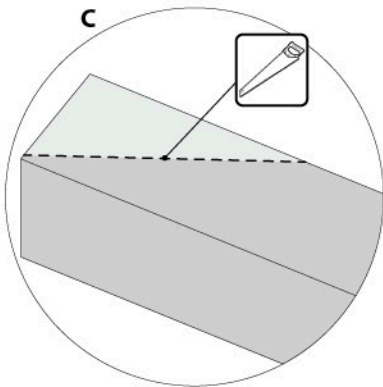
1



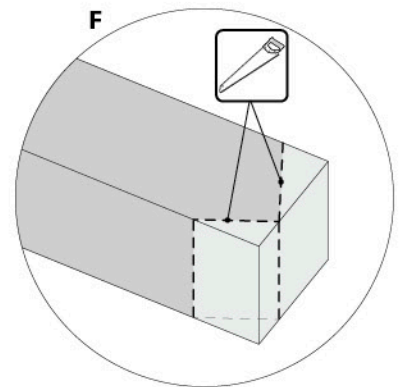
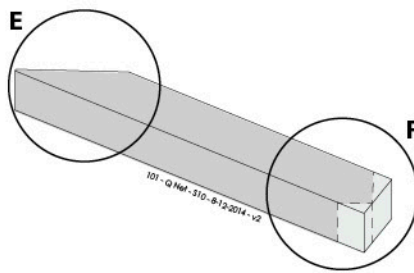
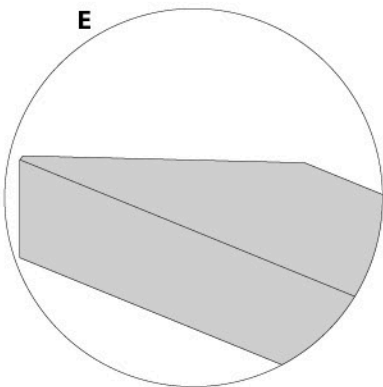
2



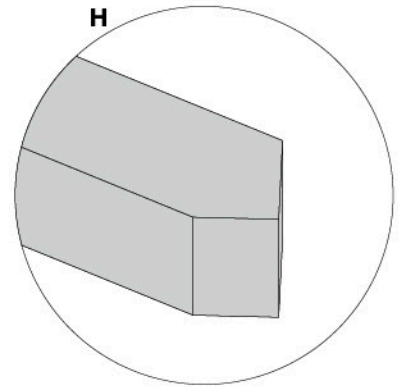
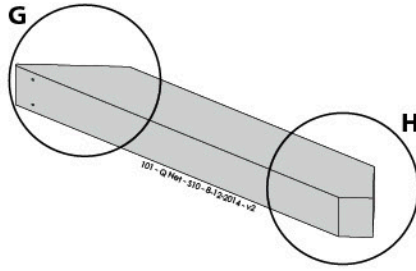
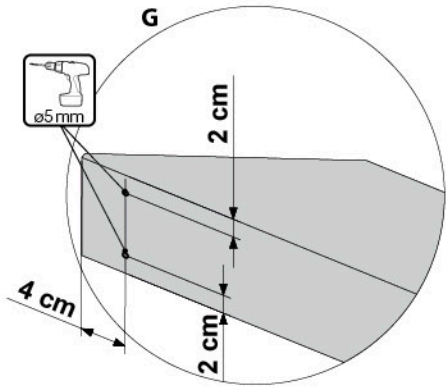
3



4



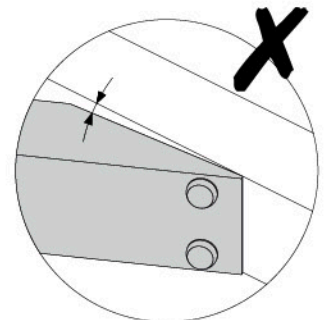
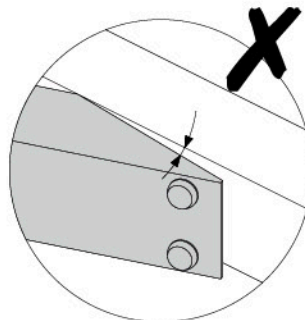
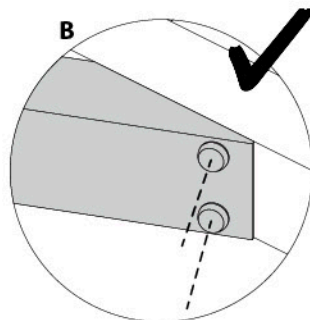
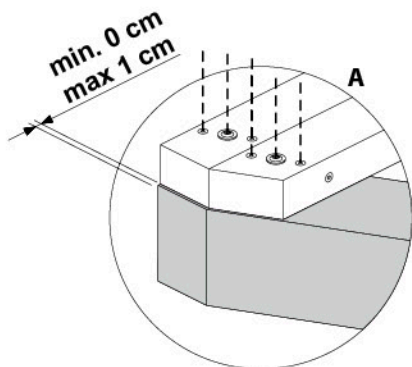
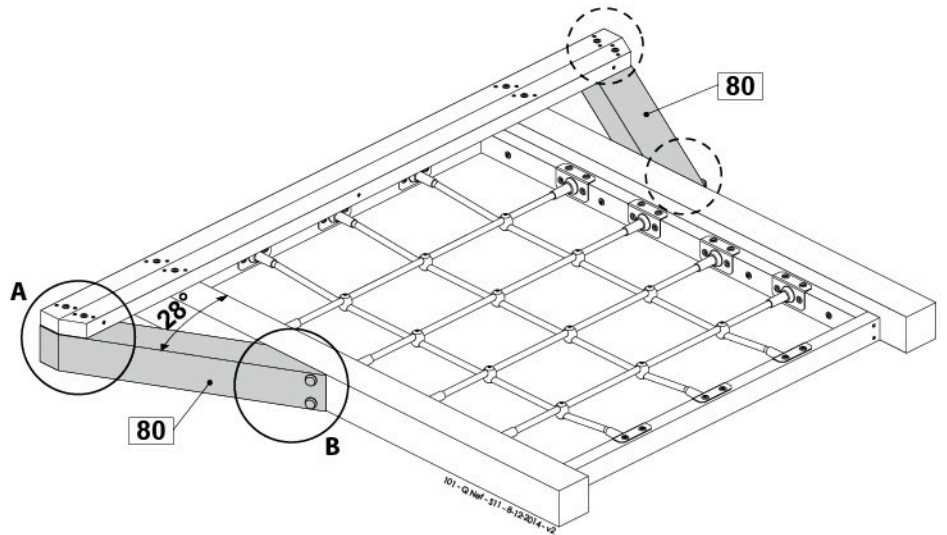
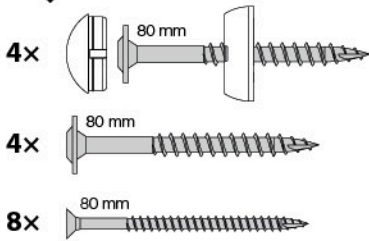
5



6

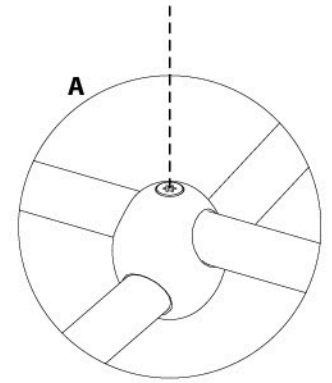
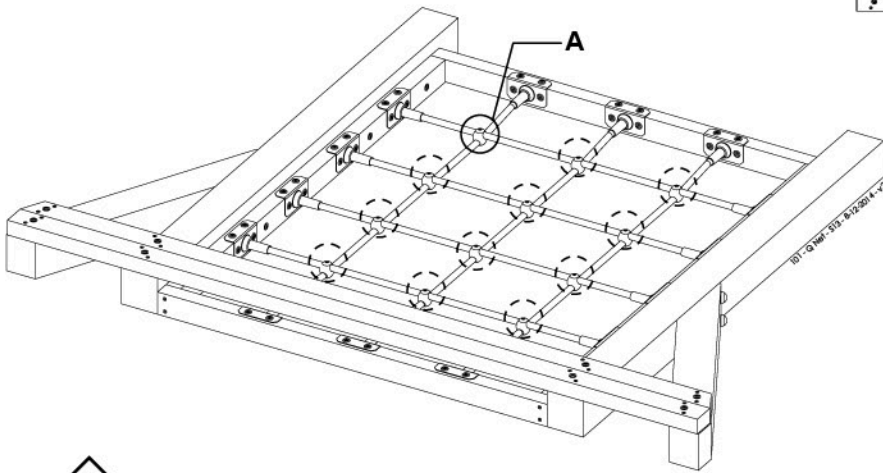
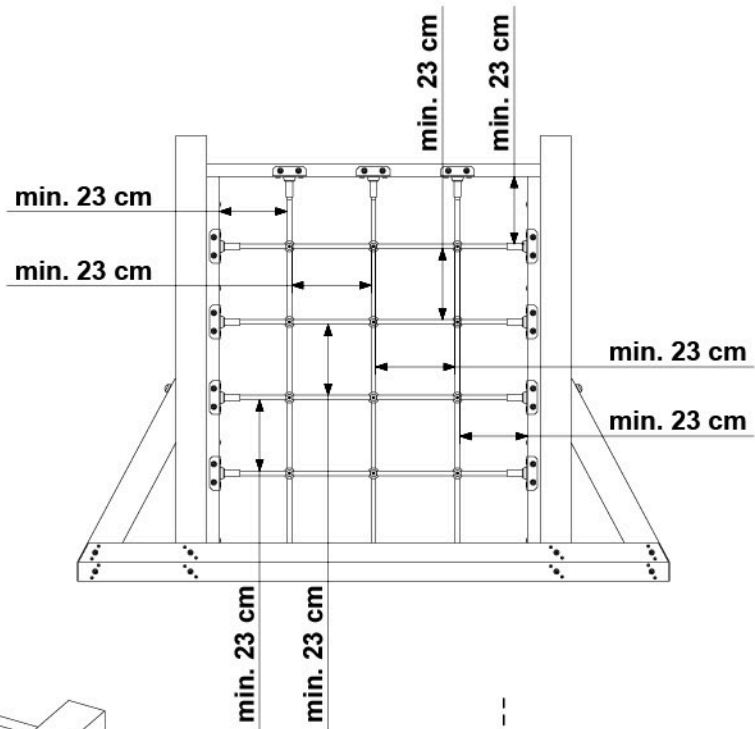


1 - 5

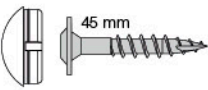





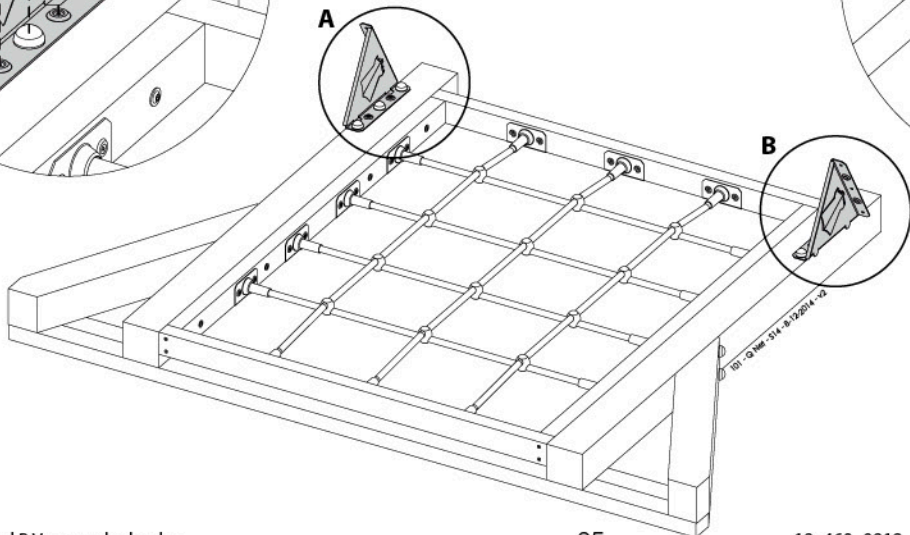
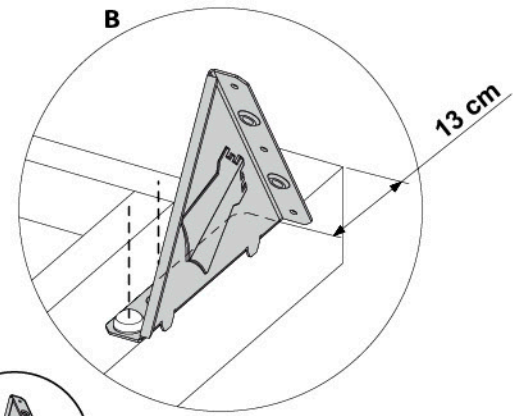
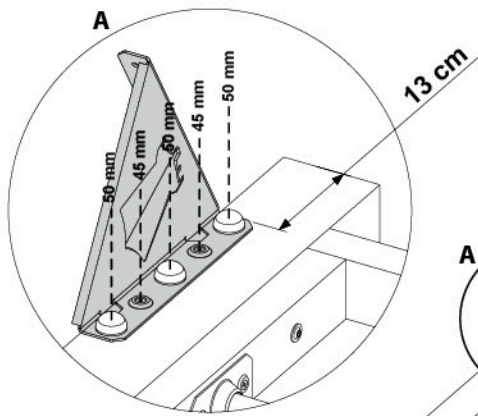
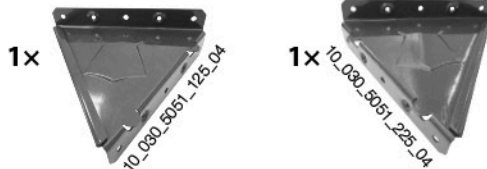
5.1m

12x  40 mm

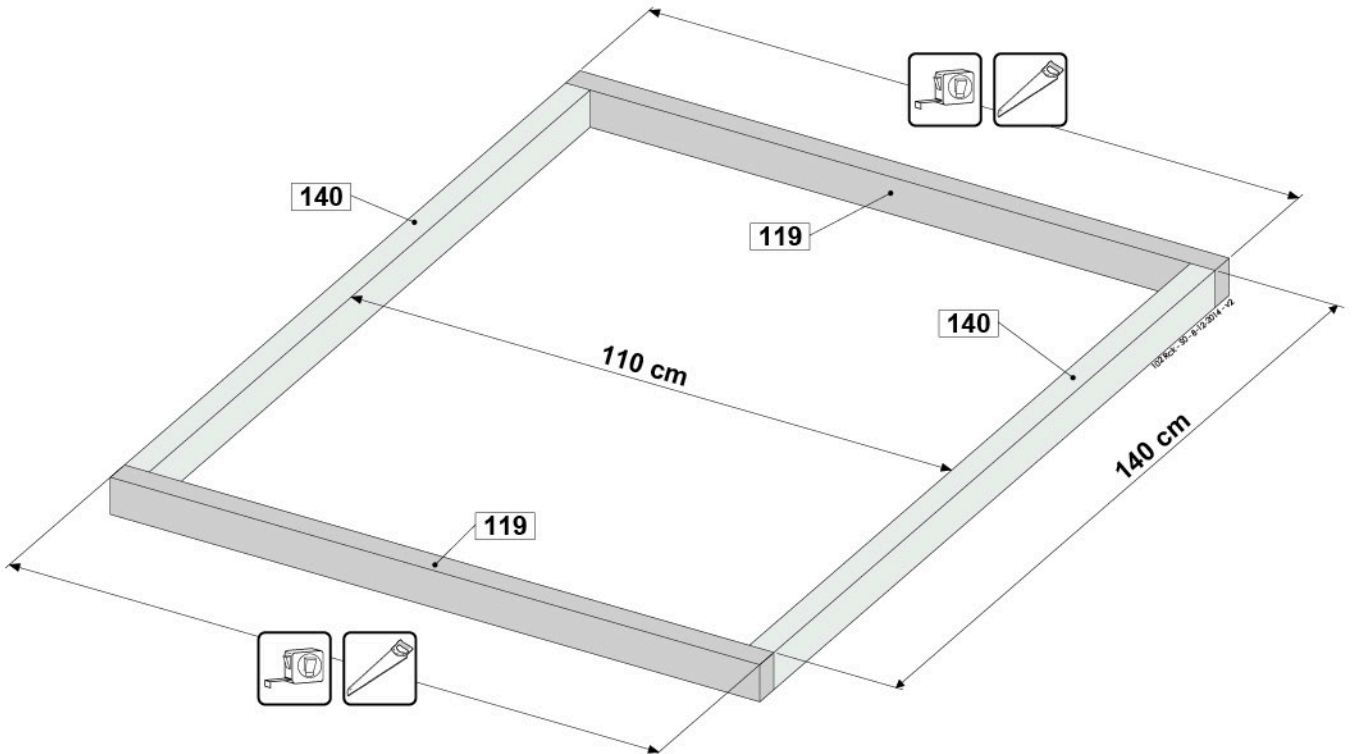


5.1n

6x  45 mm  Ø17 mm 
4x  45 mm

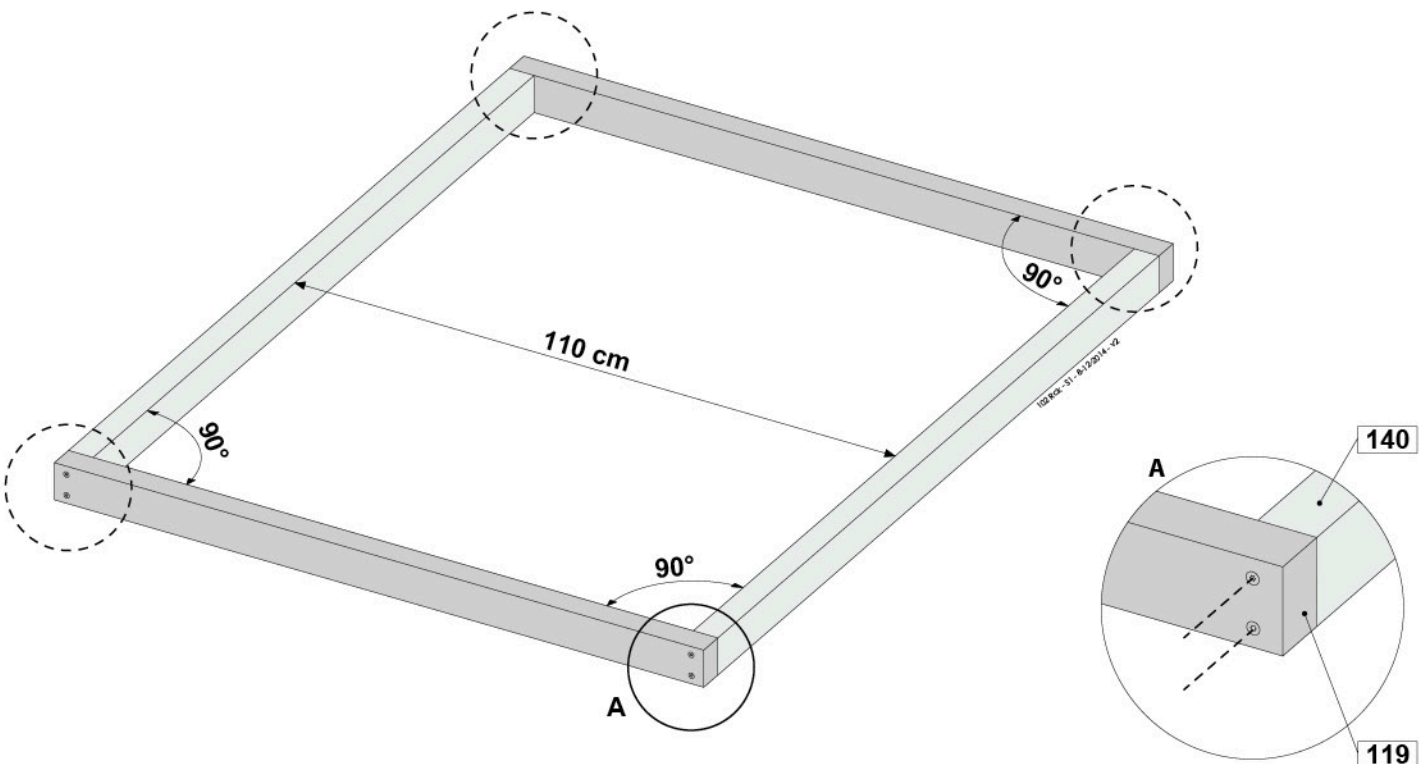


5.2a



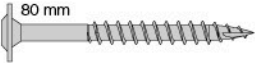
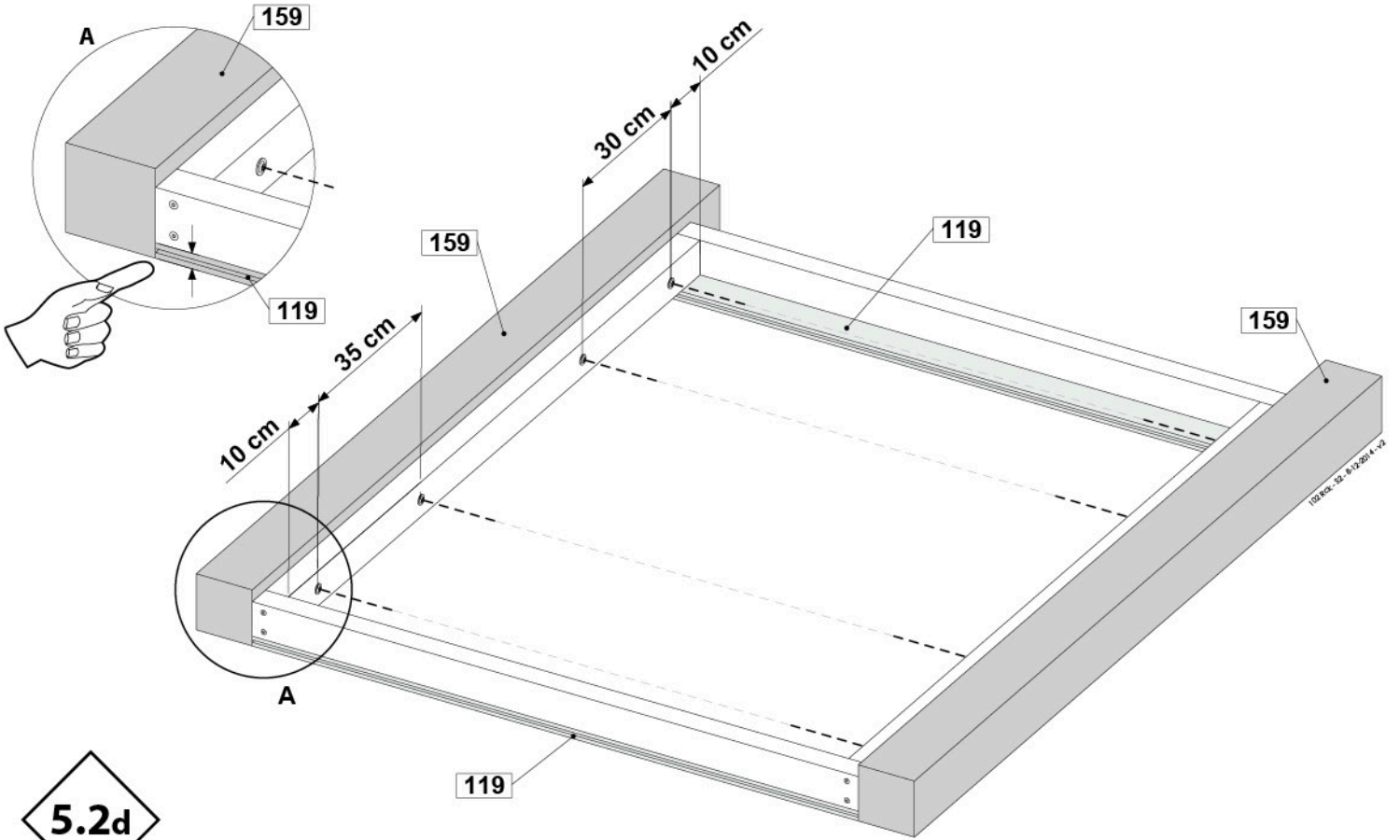
5.2b

8x 80 mm



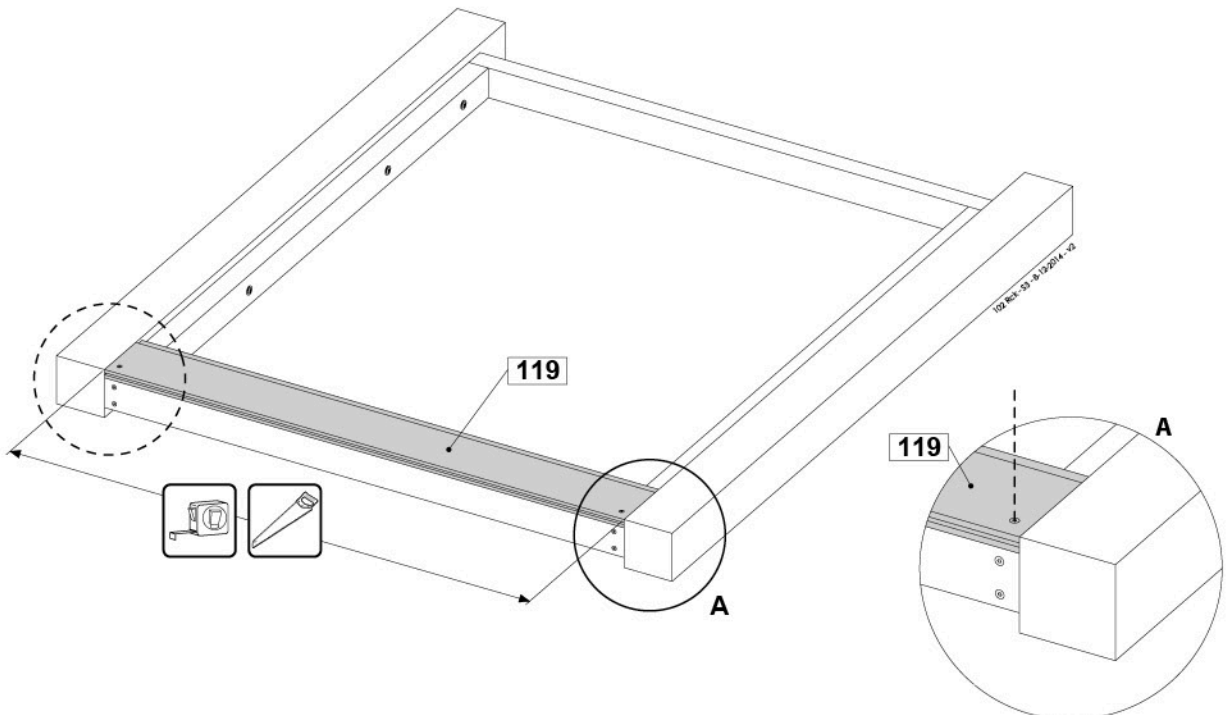
5.2c

8x 80 mm

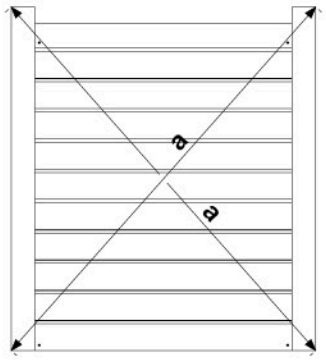
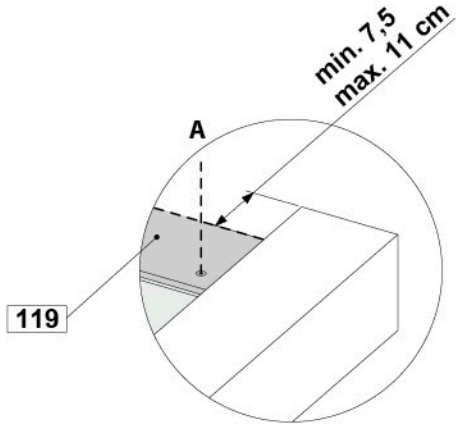
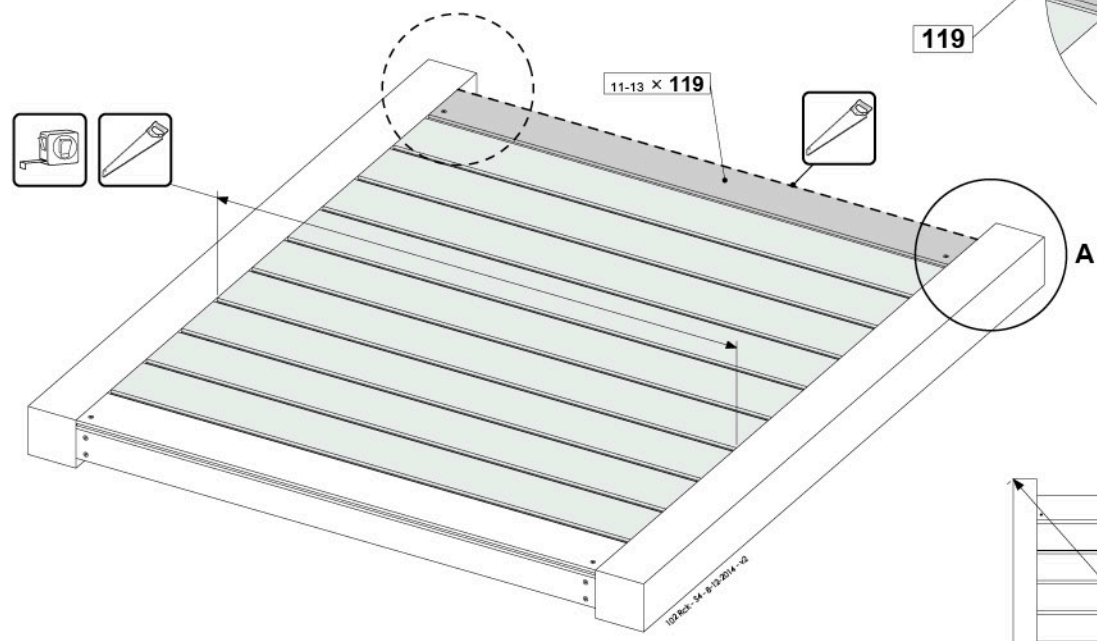
5.2d

2x 45 mm

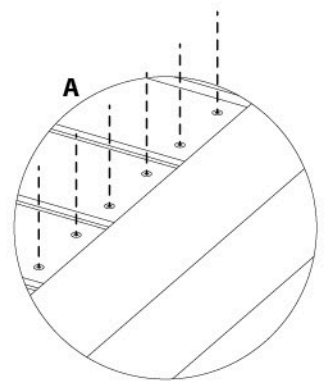
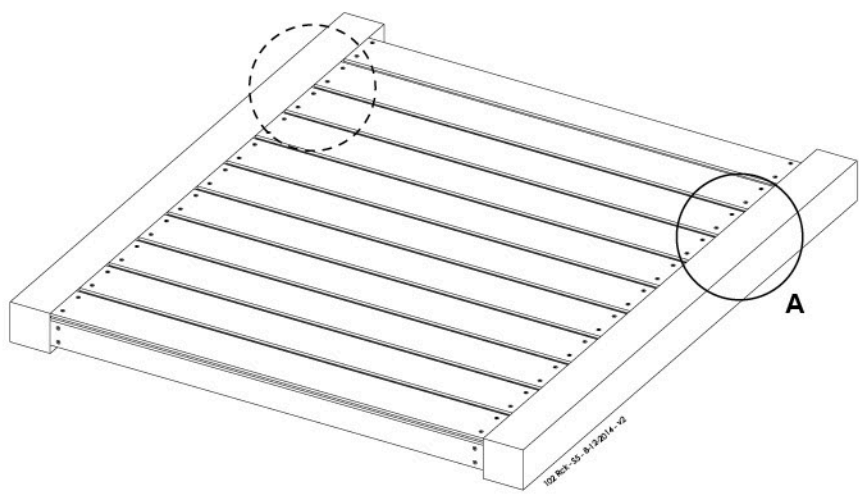
5.2e

2x 45 mm





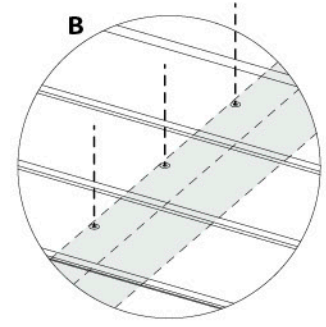
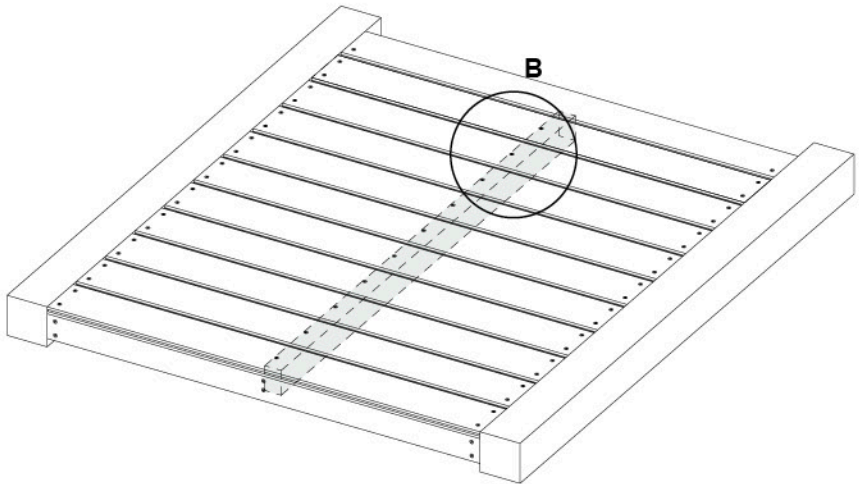
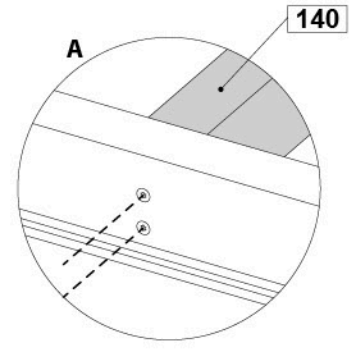
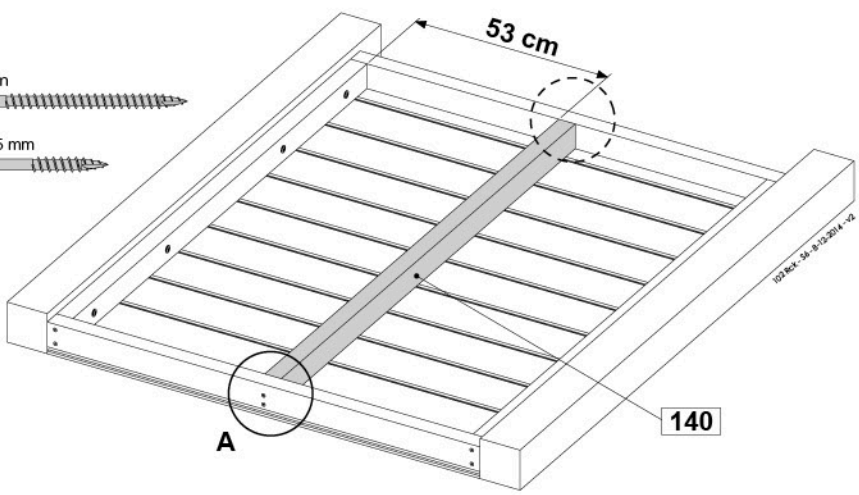
5.2f

44 - 52x 45 mm

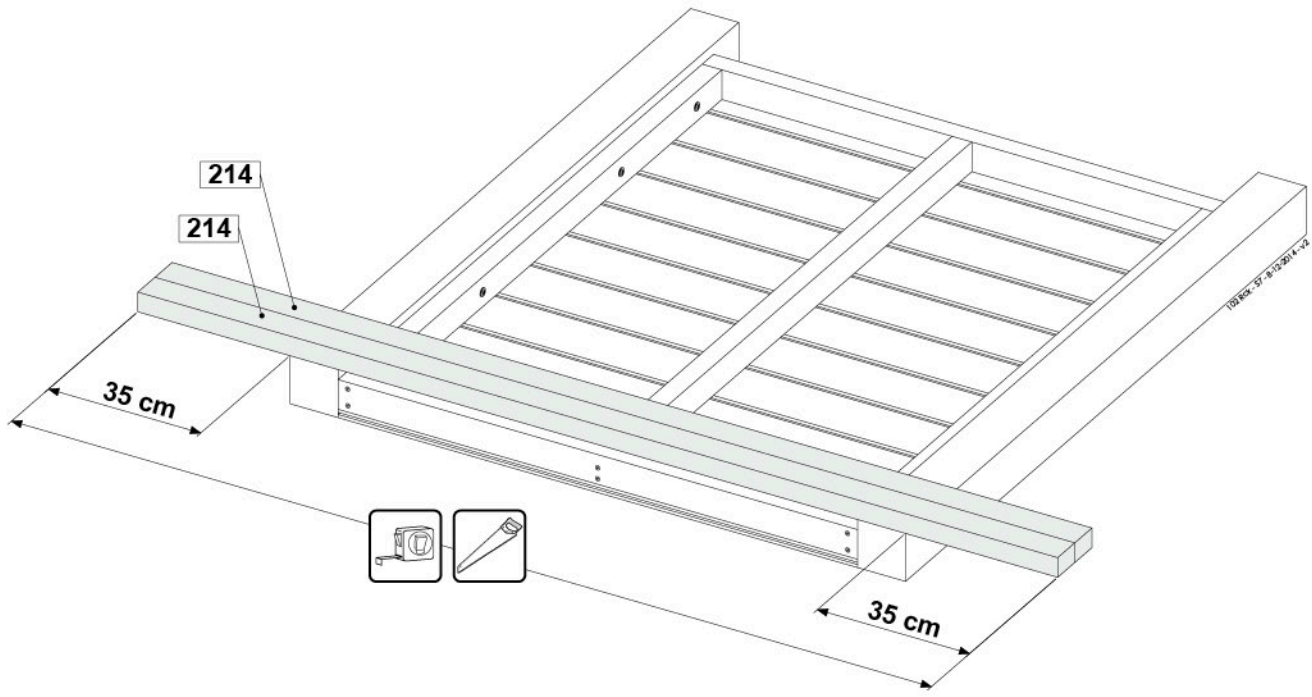


5.2g

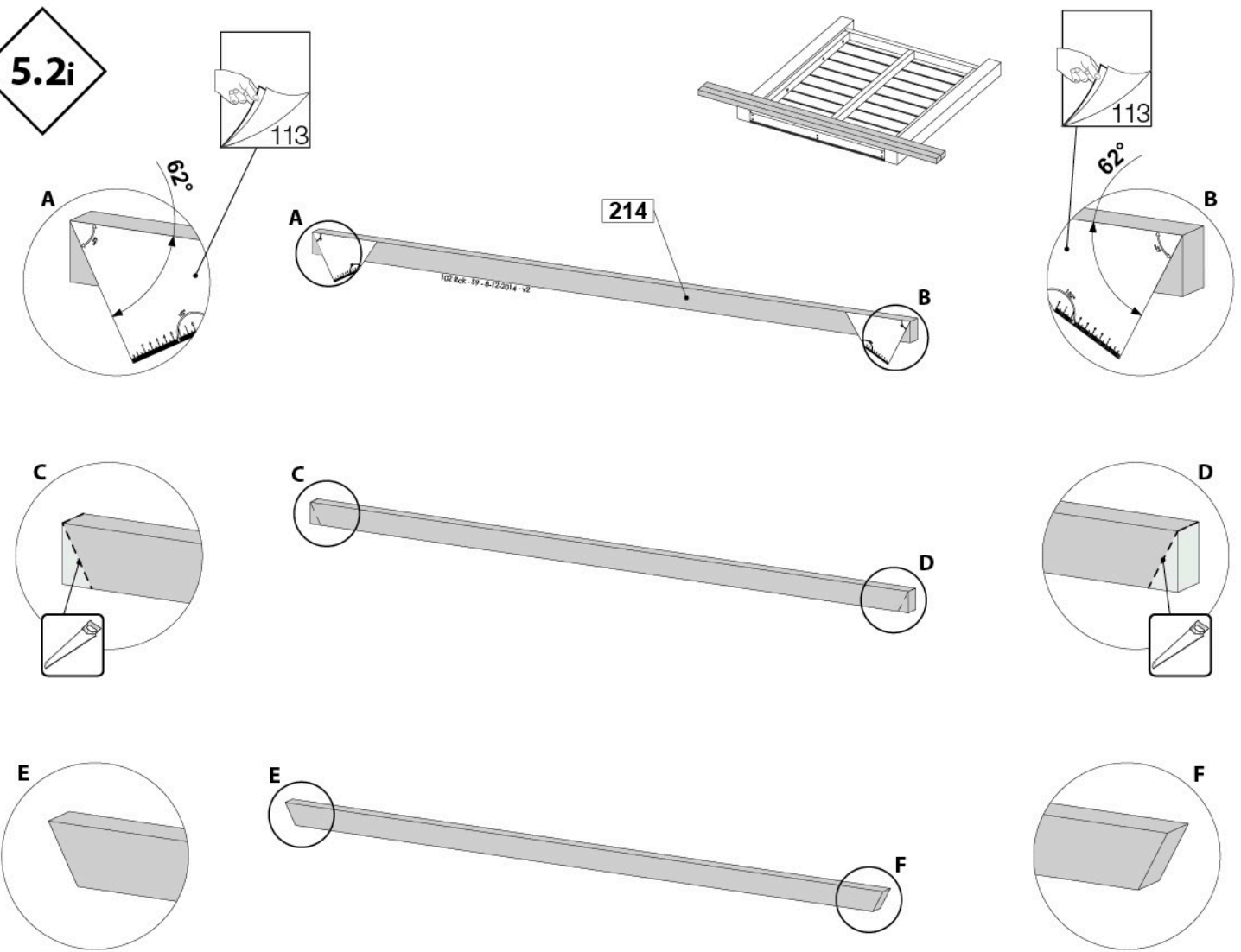
- 4x 80 mm 
- 12 - 14x 45 mm 



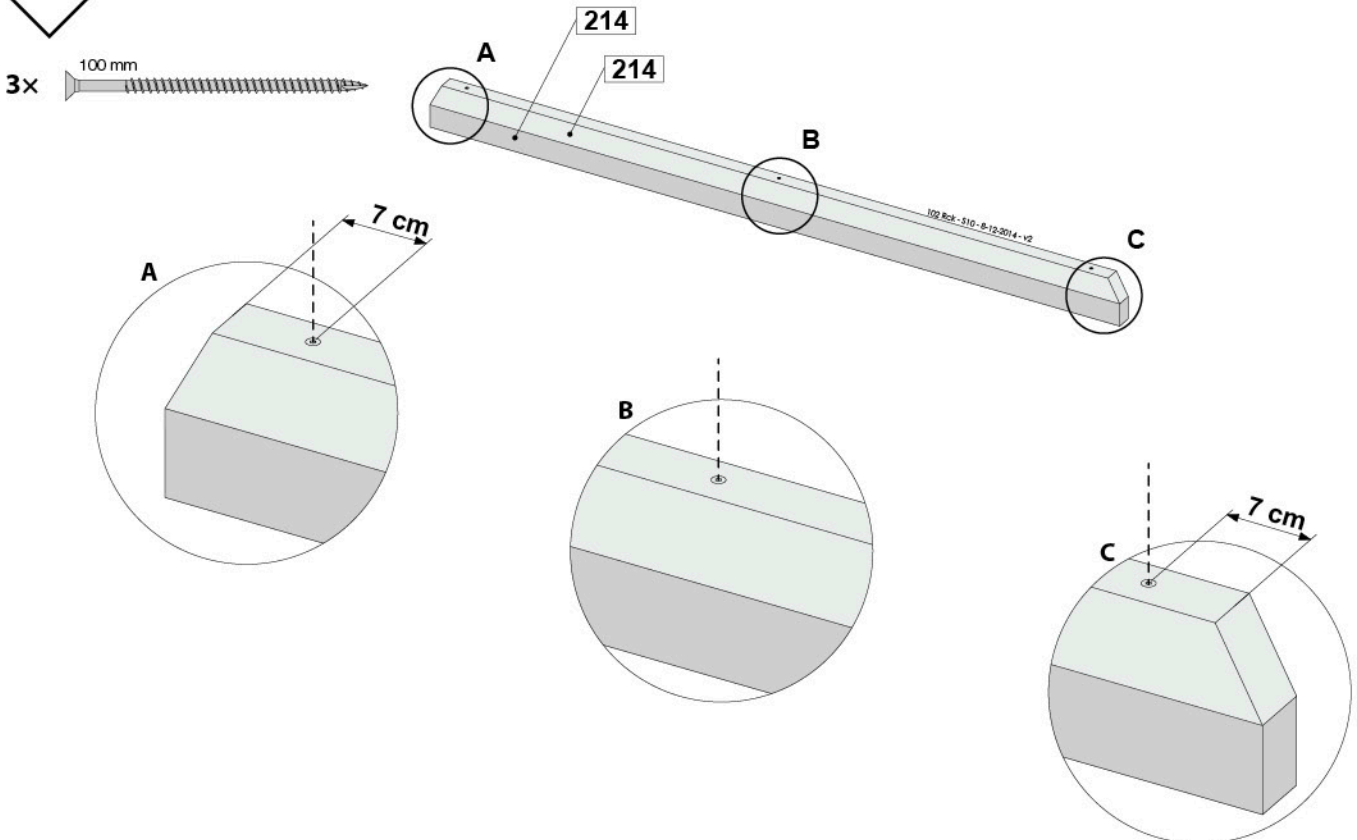
5.2h





5.2i

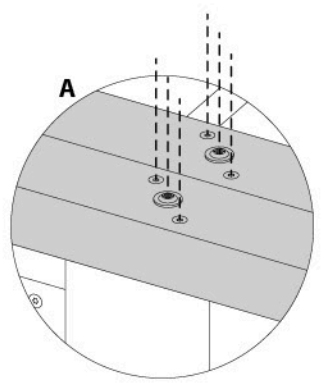
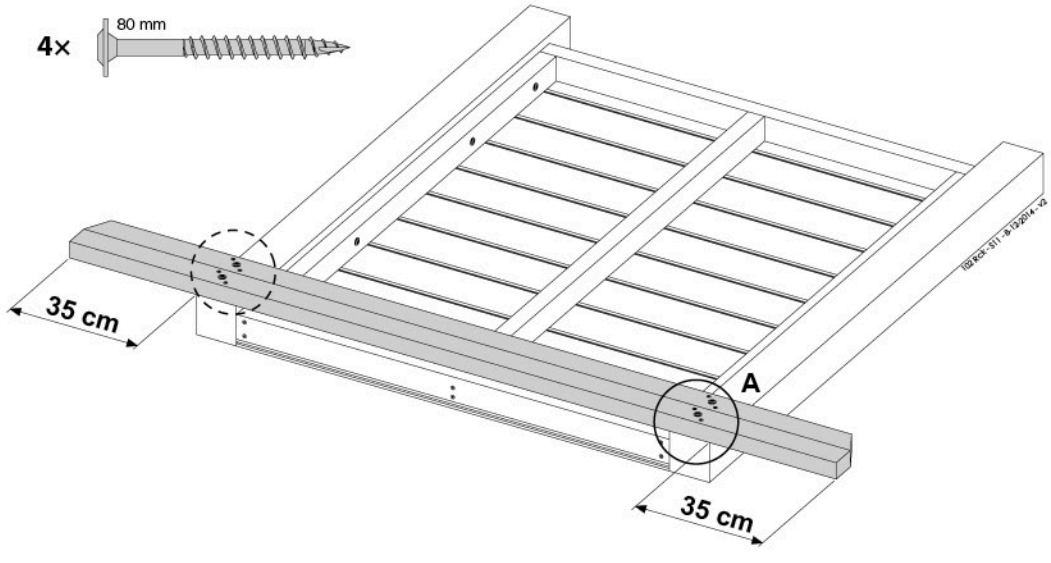


5.2j



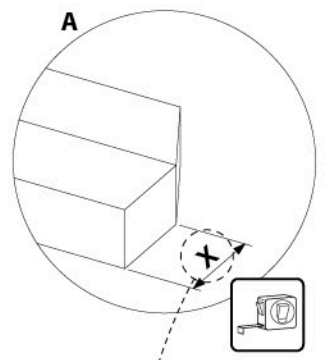
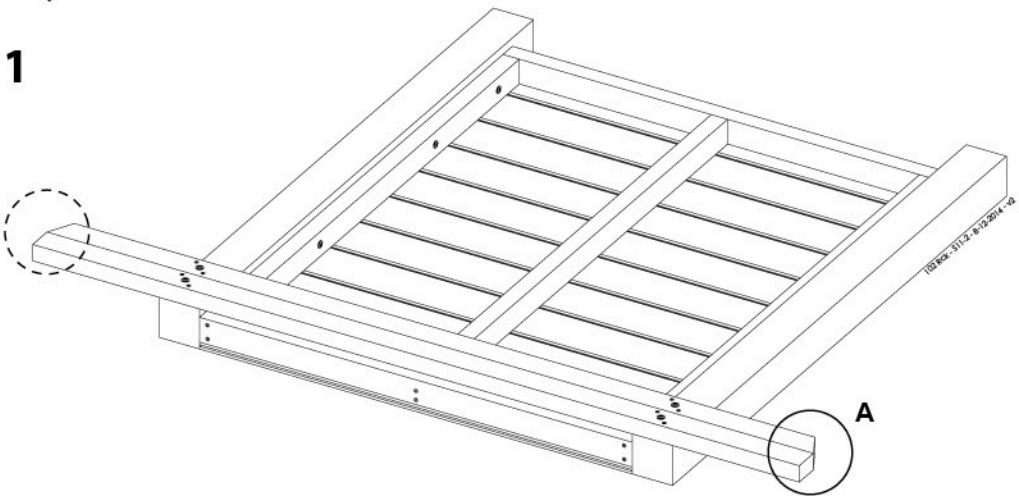
5.2k

- 8x 80 mm 
- 4x 80 mm 

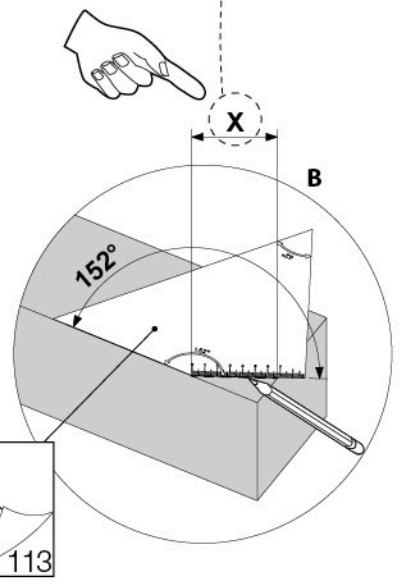
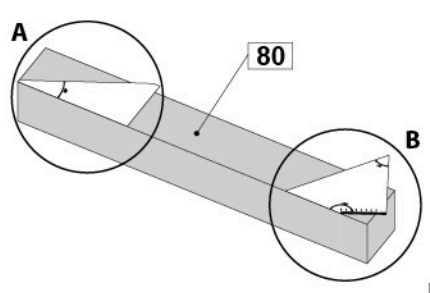
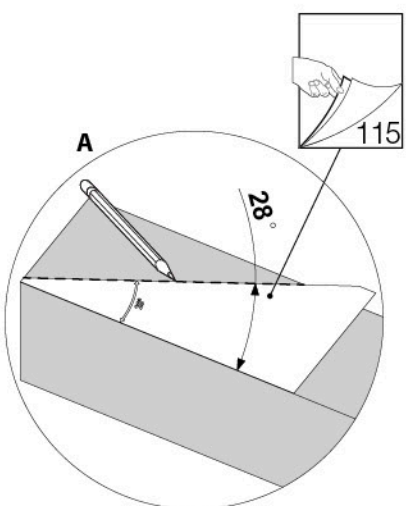


5.2L

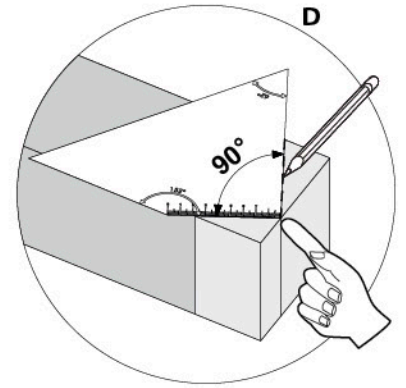
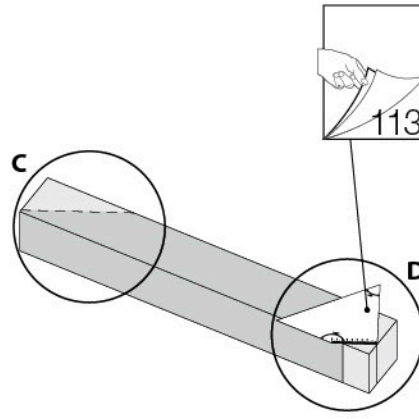
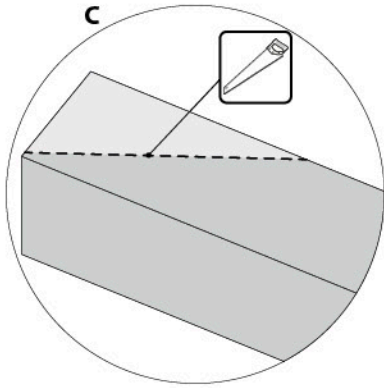
1



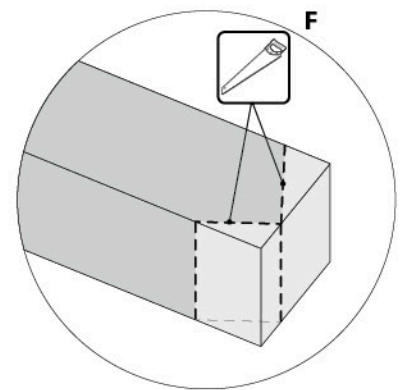
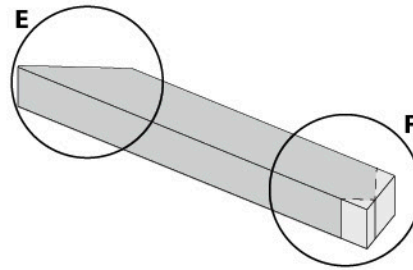
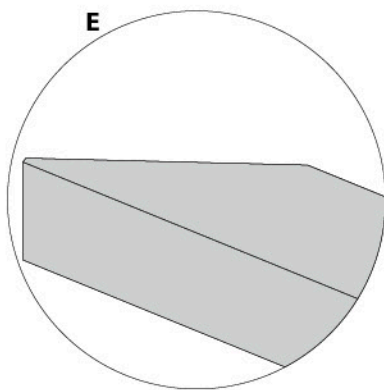
2



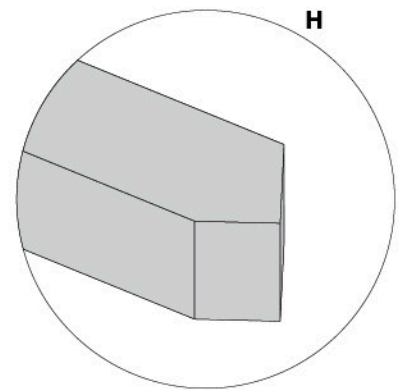
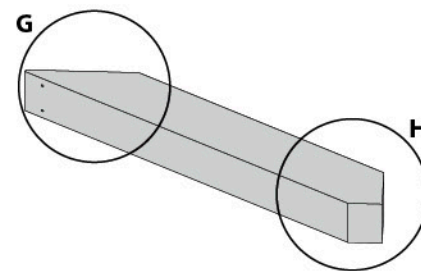
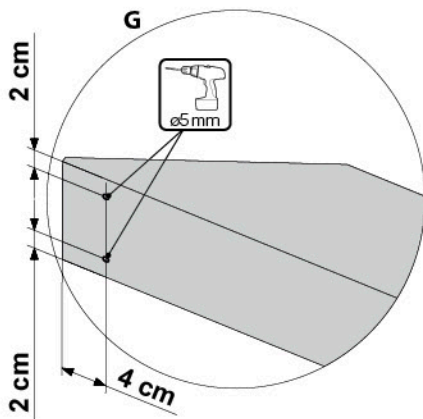
3



4



5

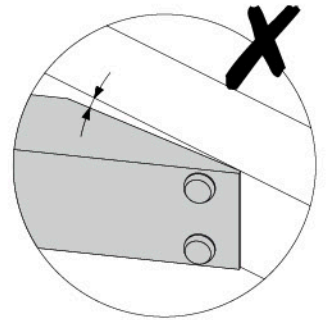
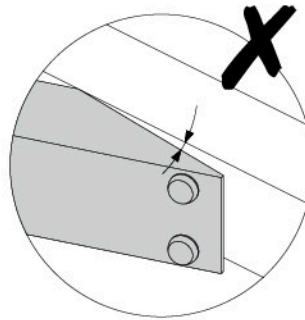
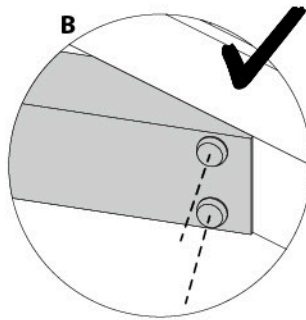
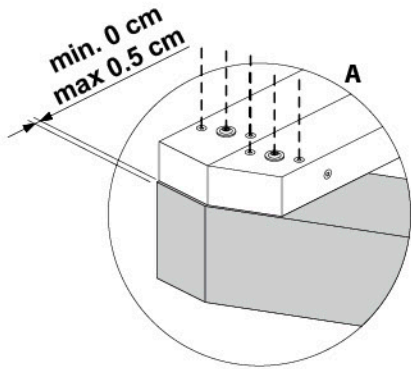
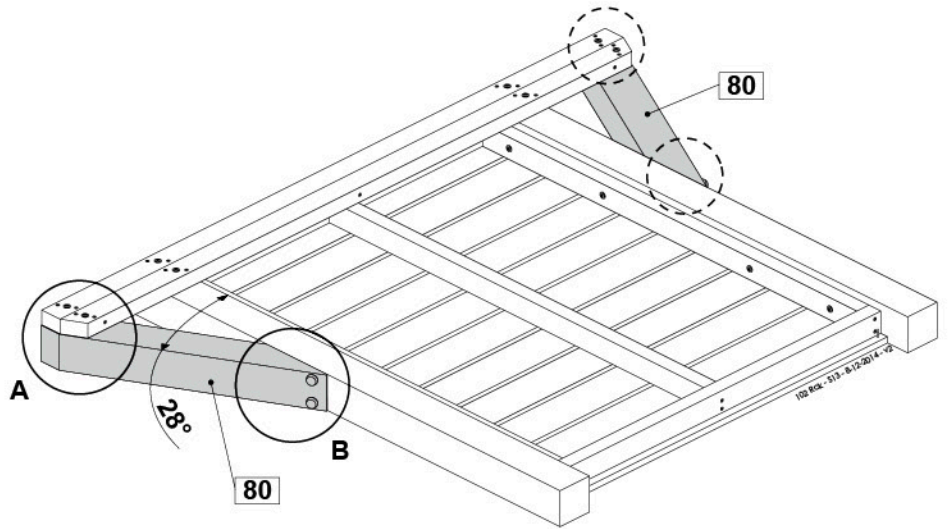
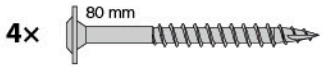
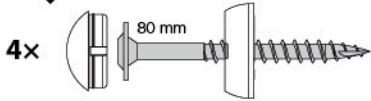


6

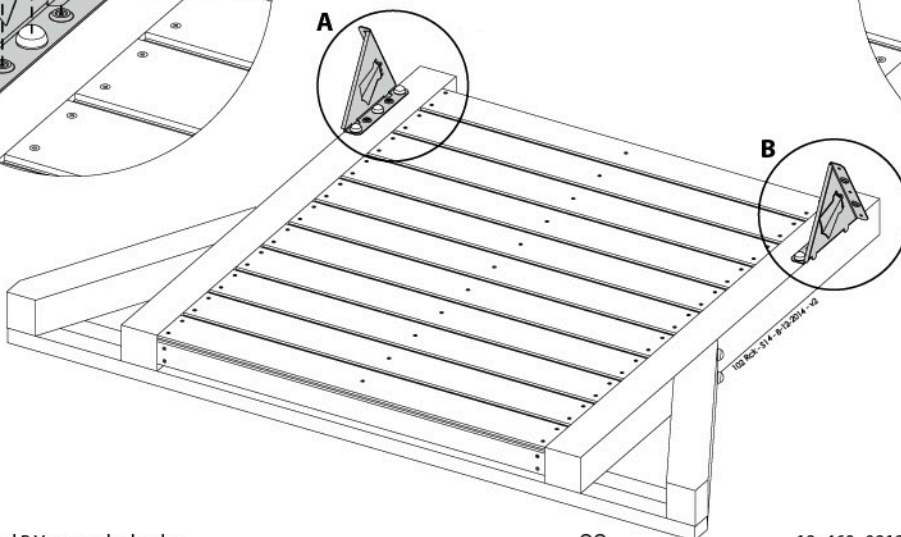
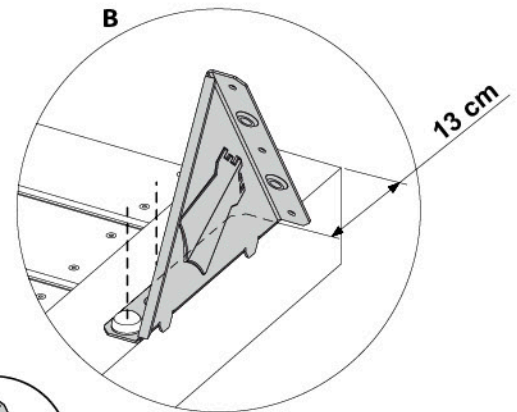
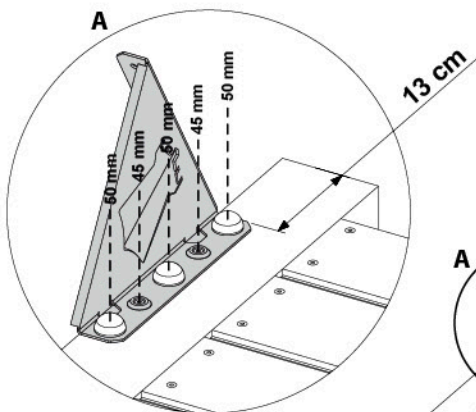
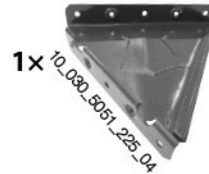
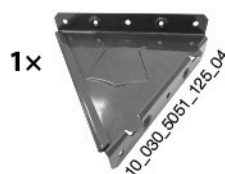
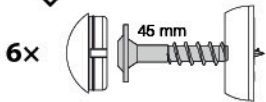
5.2L 1 - 5

2x

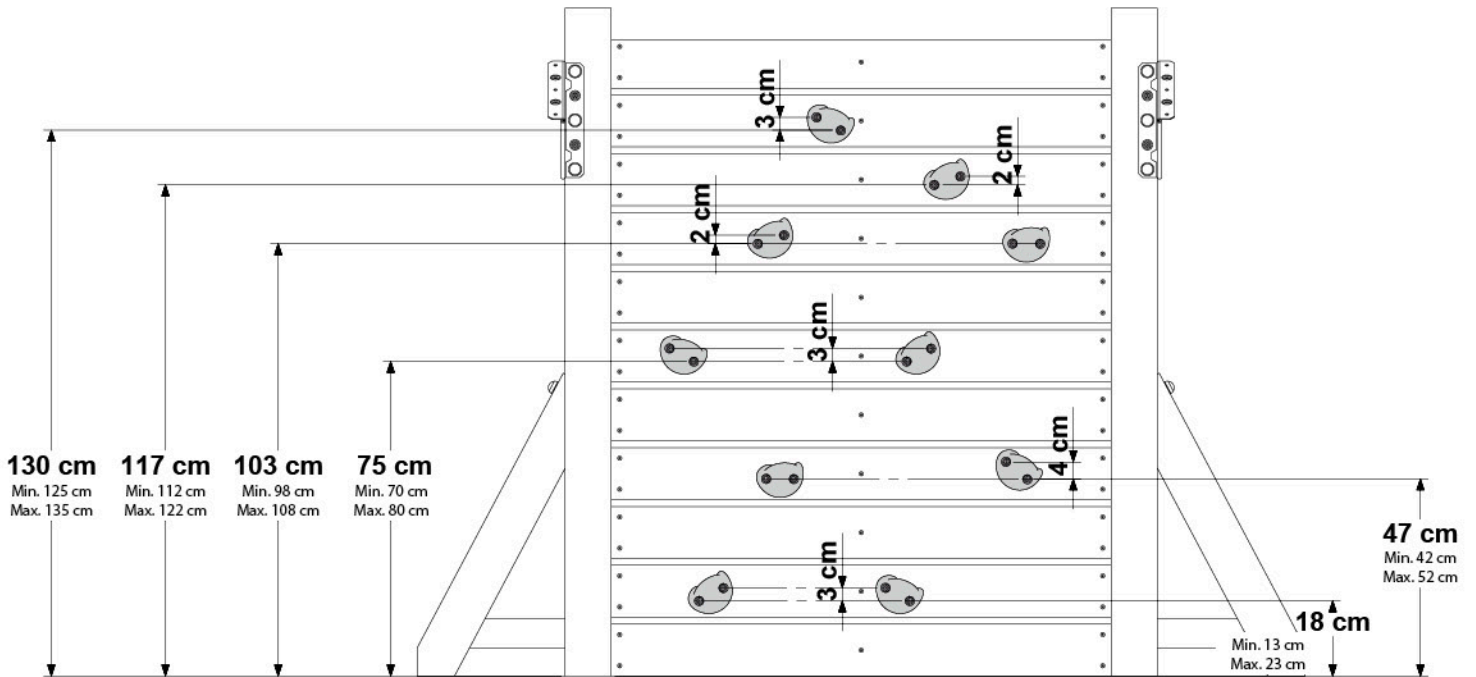
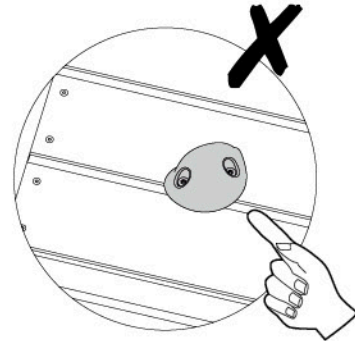
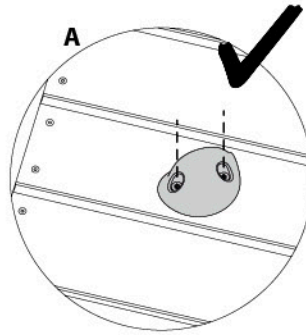
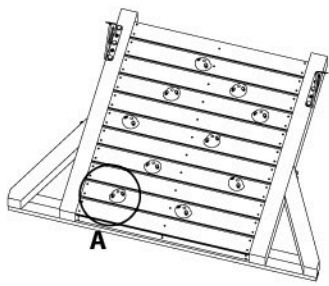
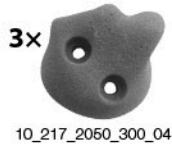
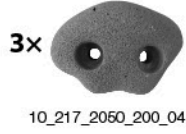
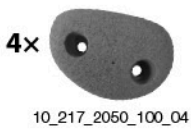
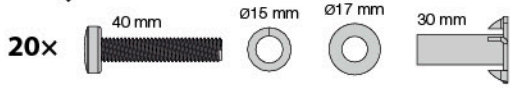
5.2m



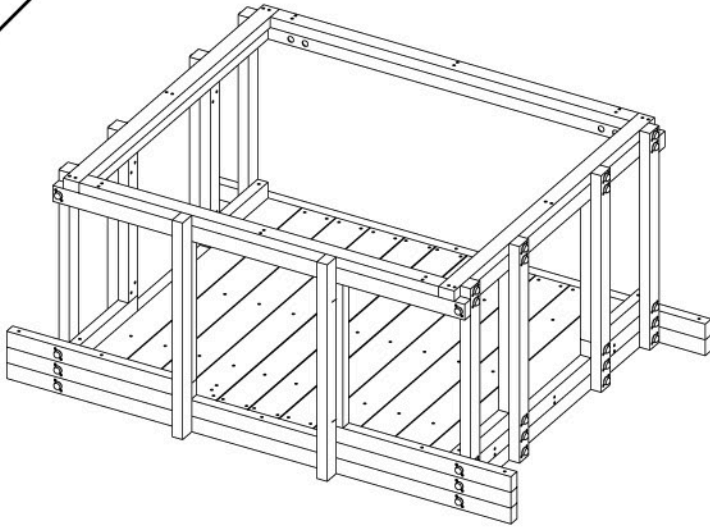
5.2n



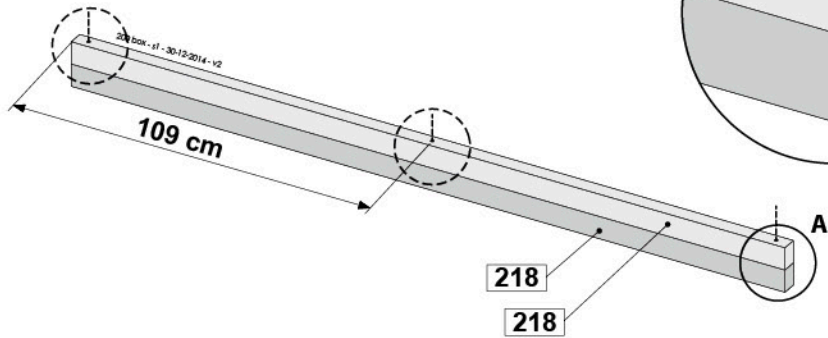
5.2o



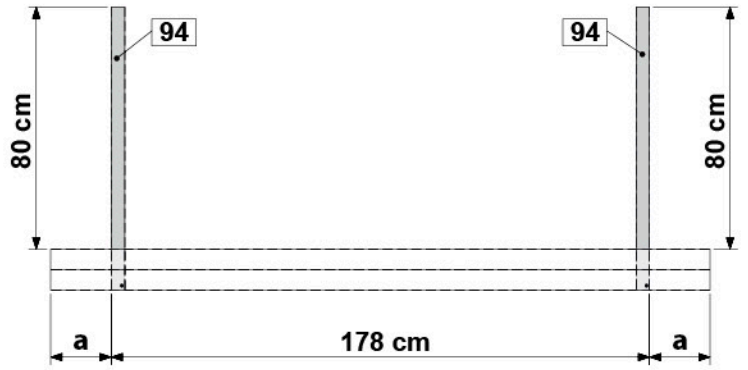
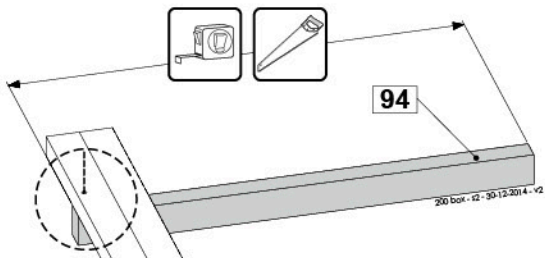
6



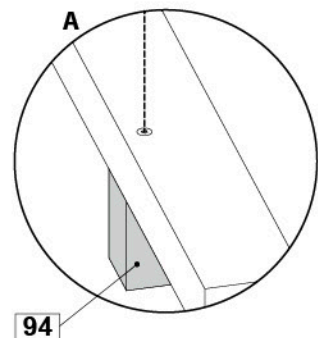
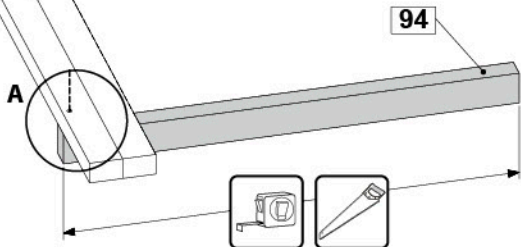
6a



6b

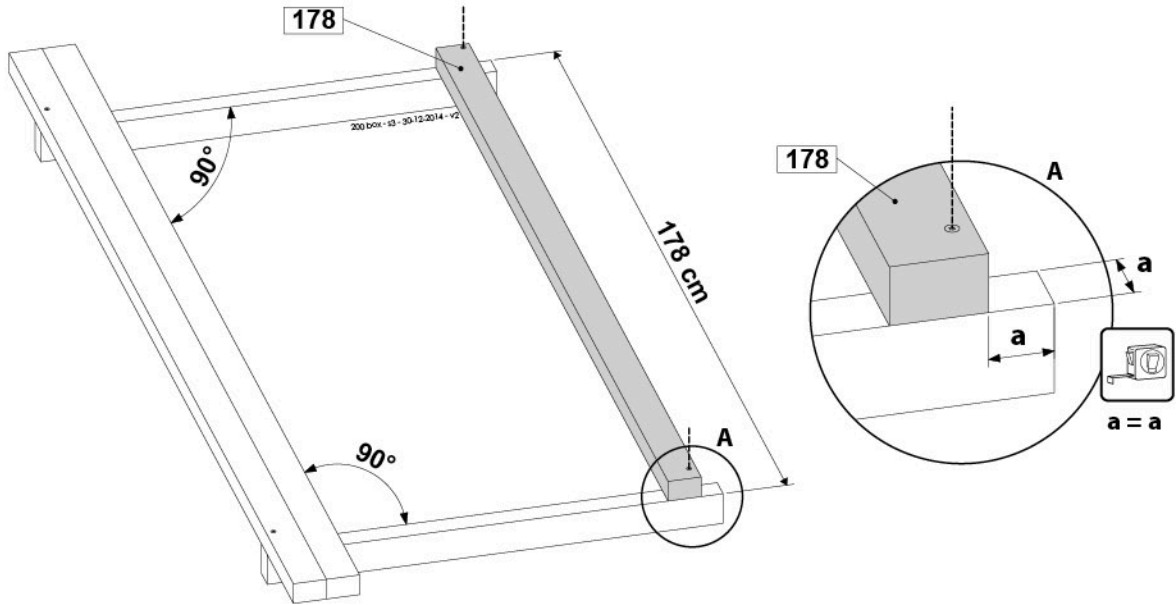


a = a

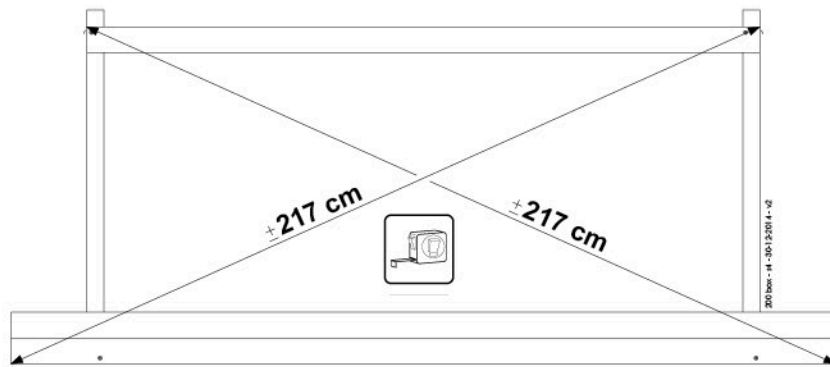


6c

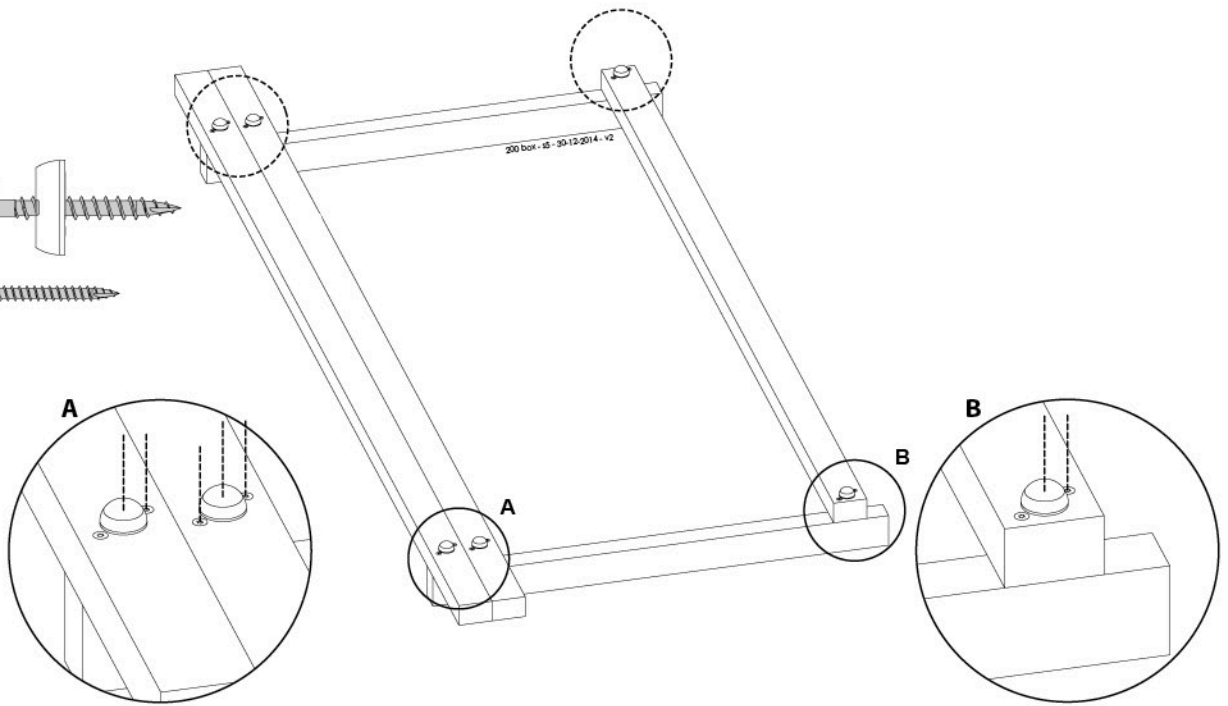
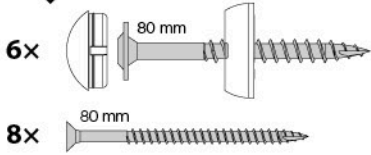
2x 80 mm 



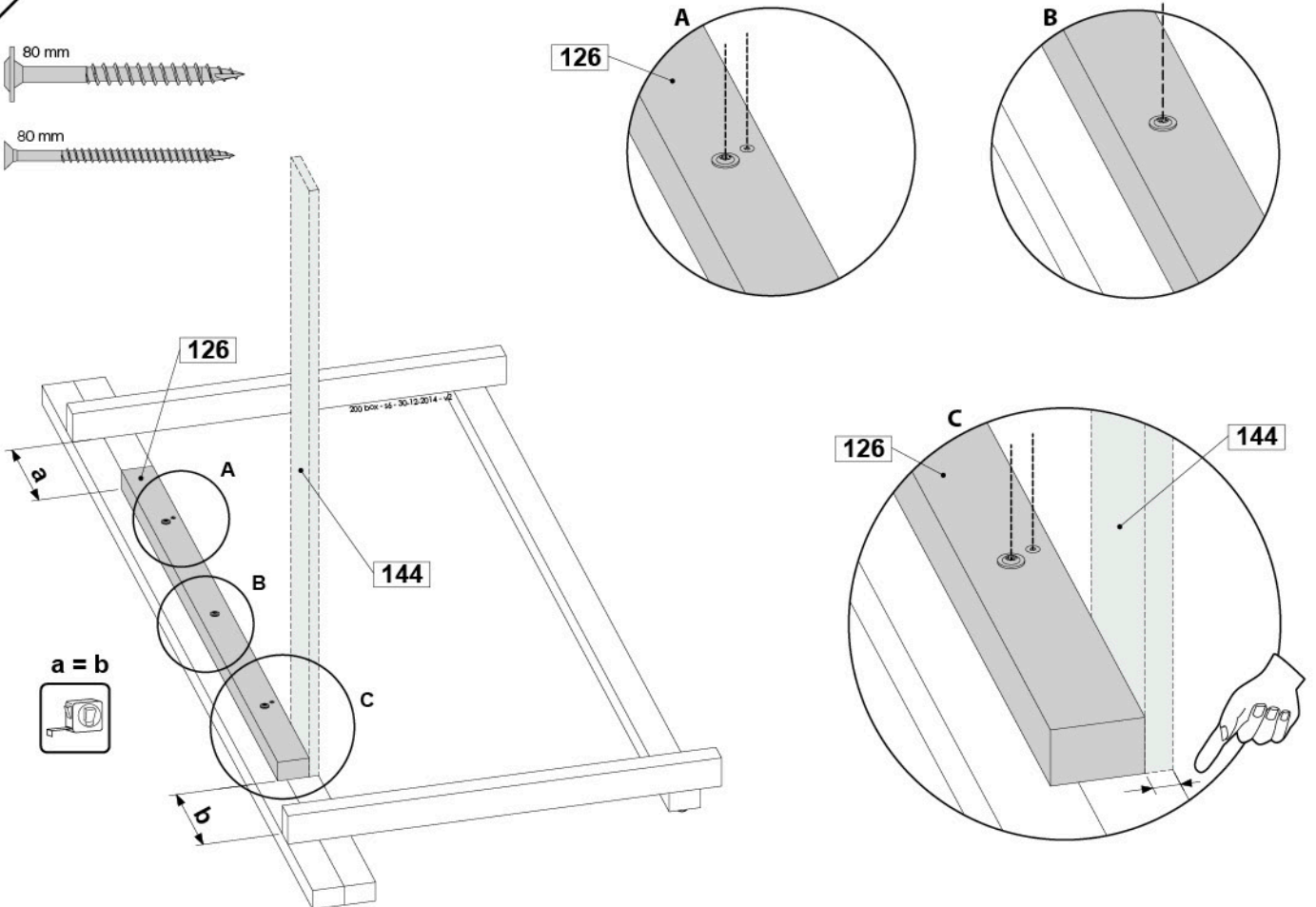
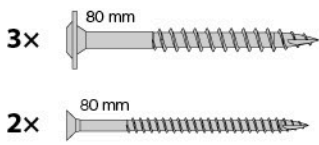
6d



6e



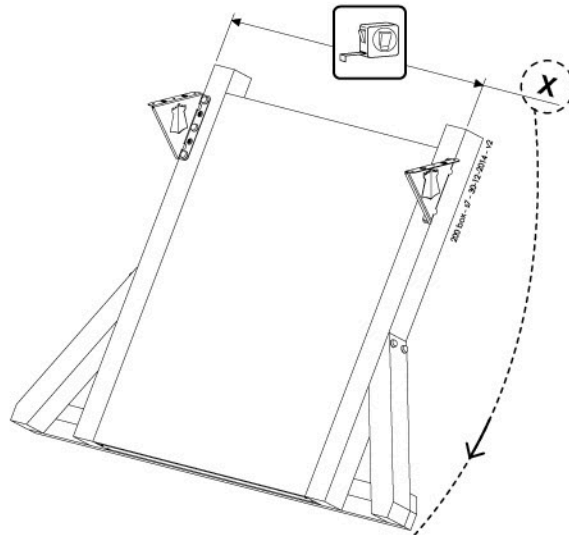
6f



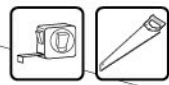
6a — **6f** **2x**

6g

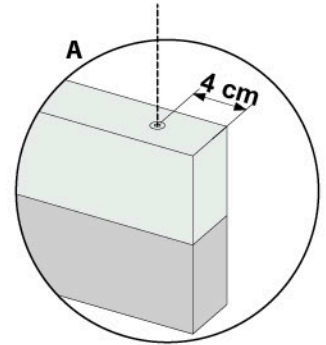
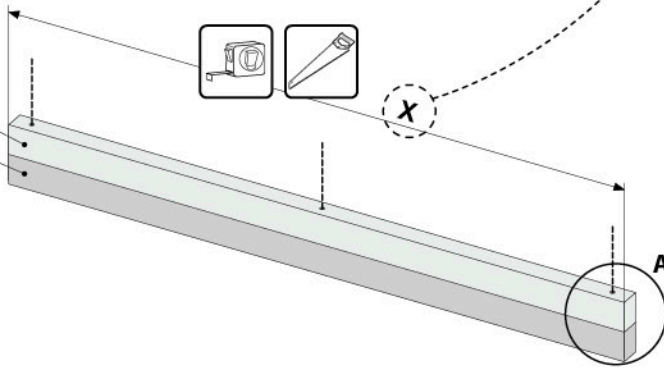
6x 100 mm



144
144



X

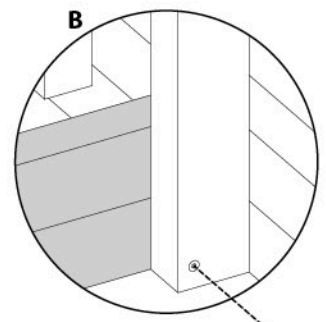
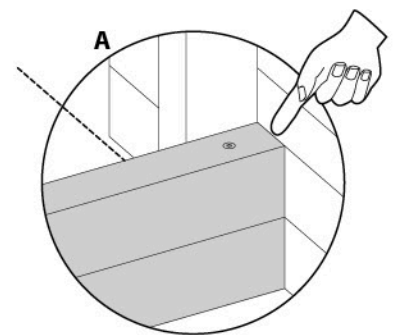
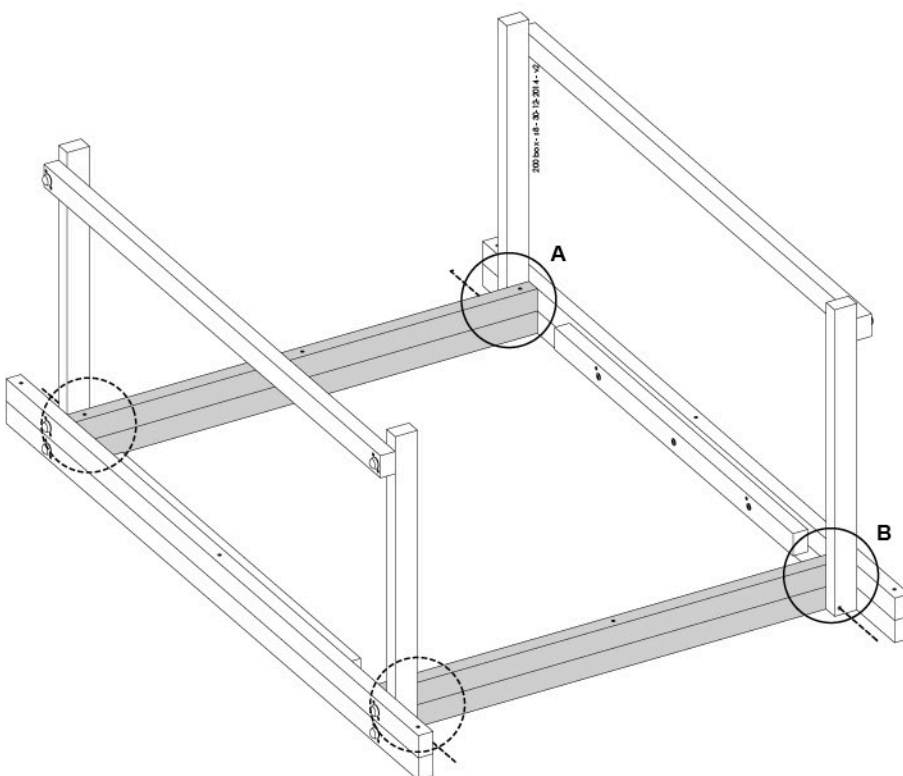


6g

2x

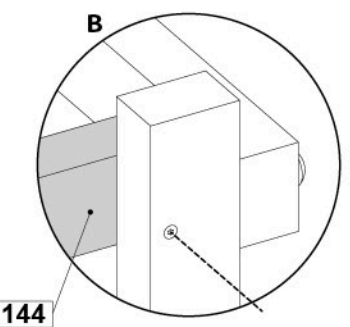
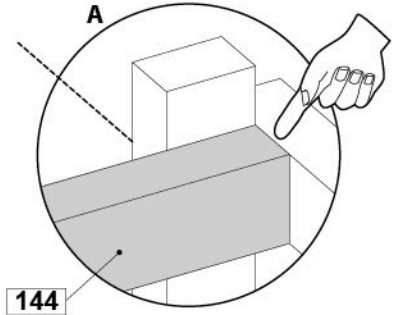
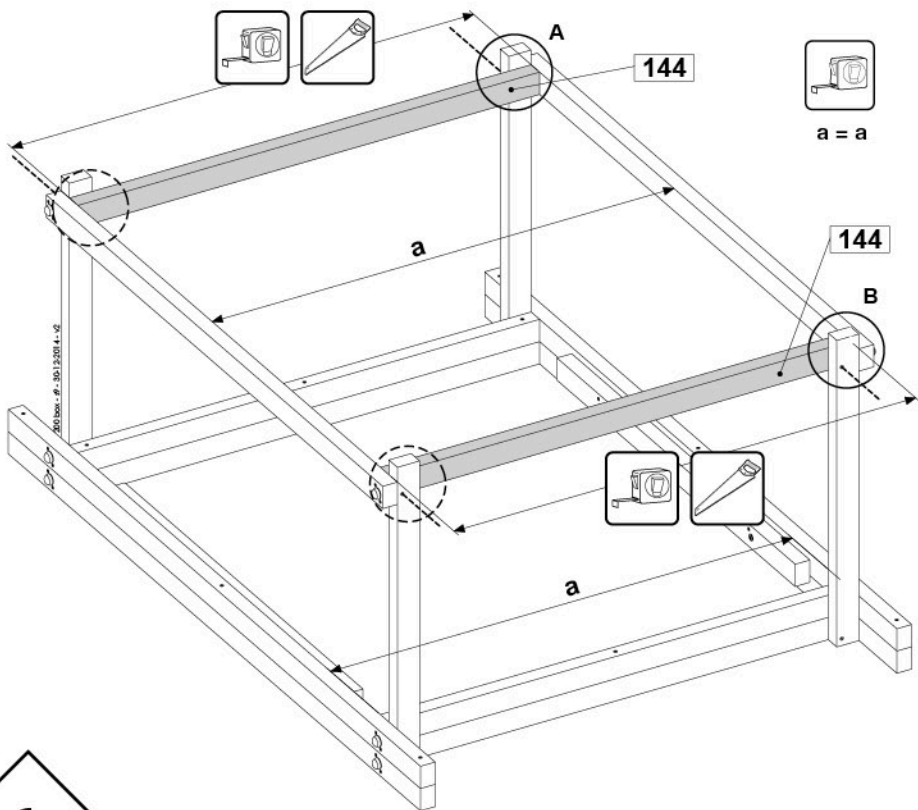
6h

4x 80 mm

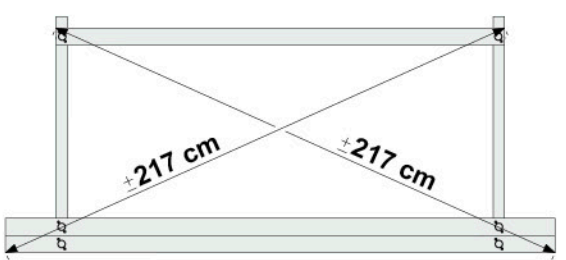
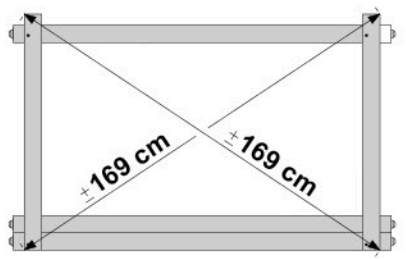
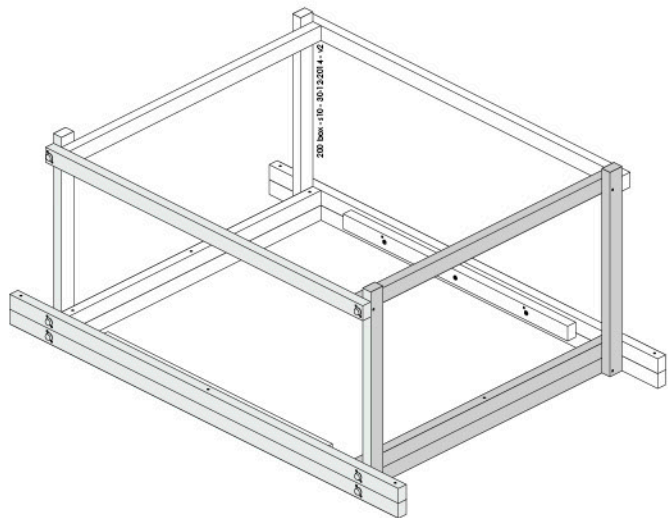


6i

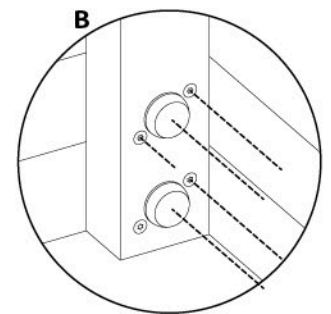
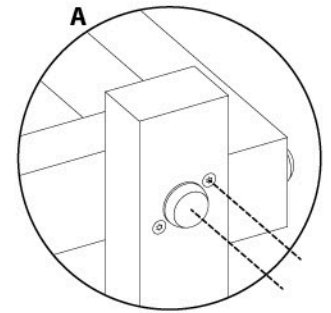
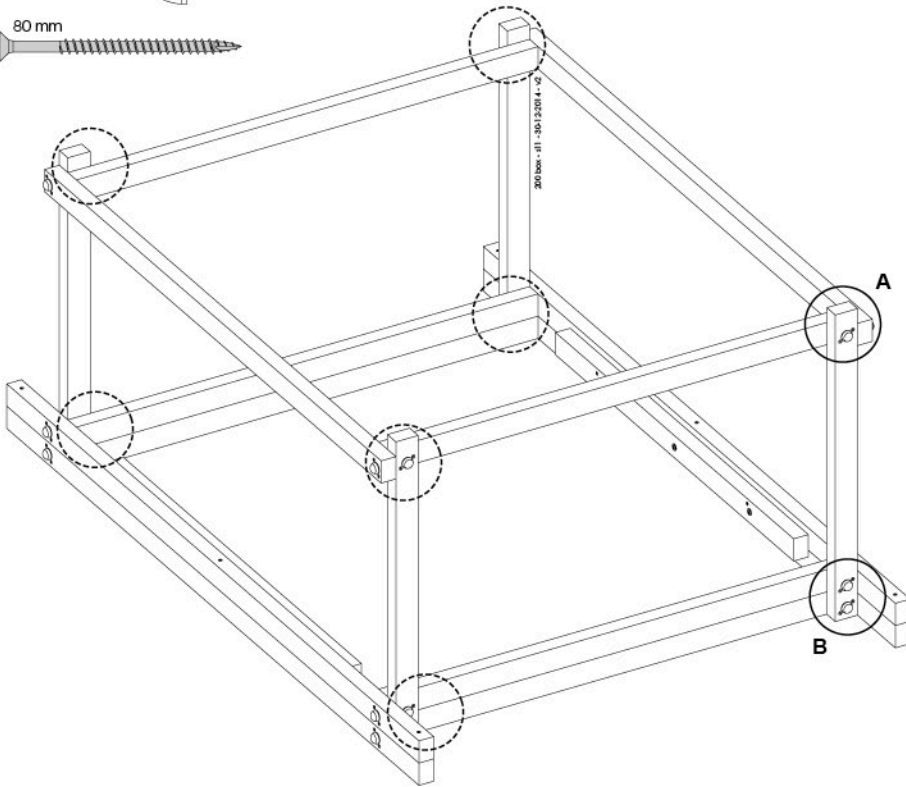
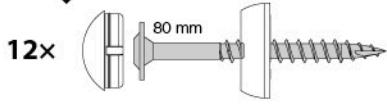
4x 80 mm 



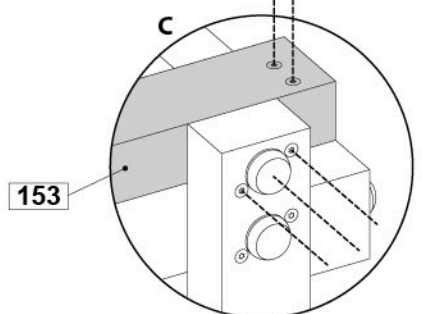
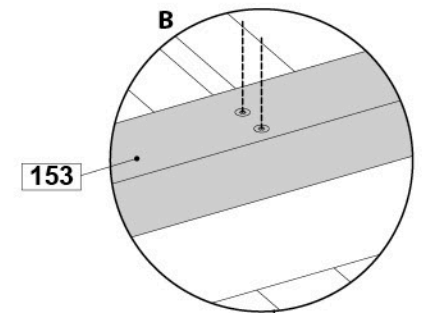
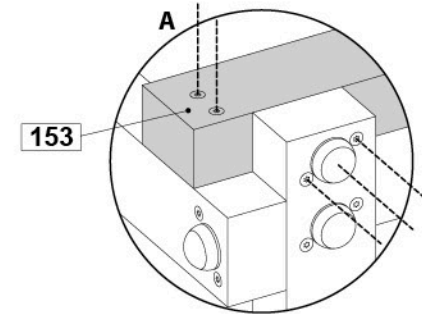
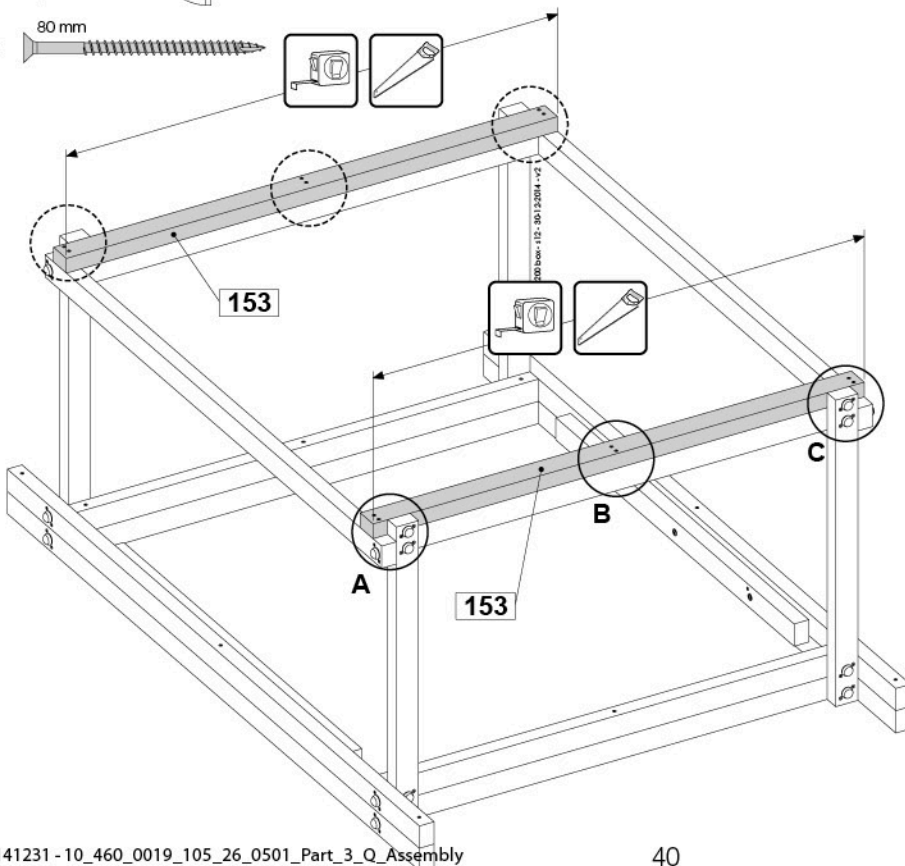
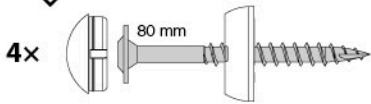
6j



6k

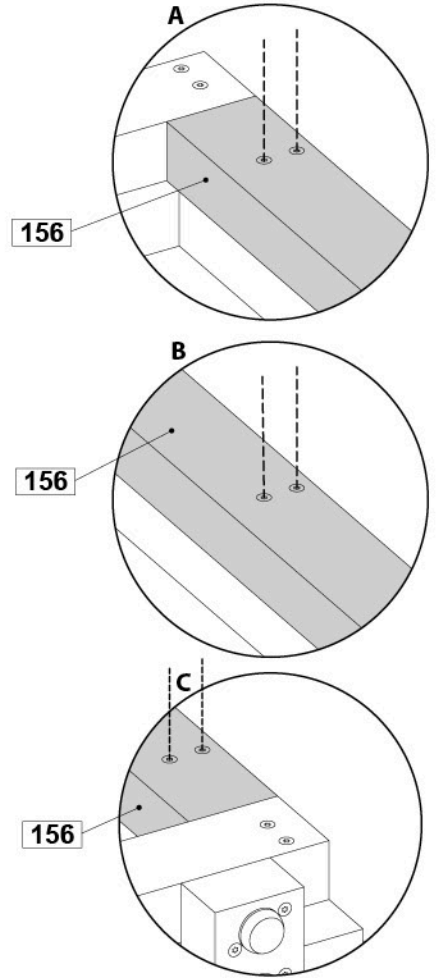
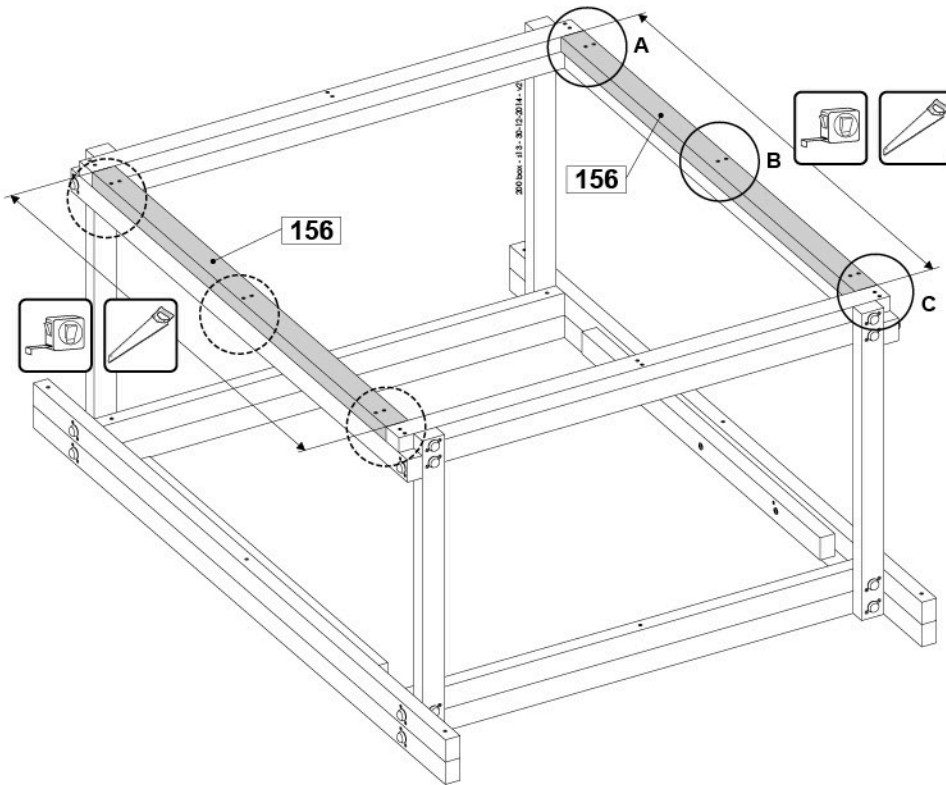


6L



6m

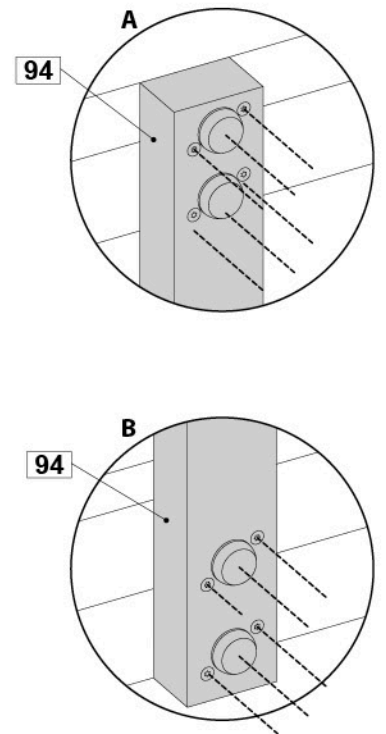
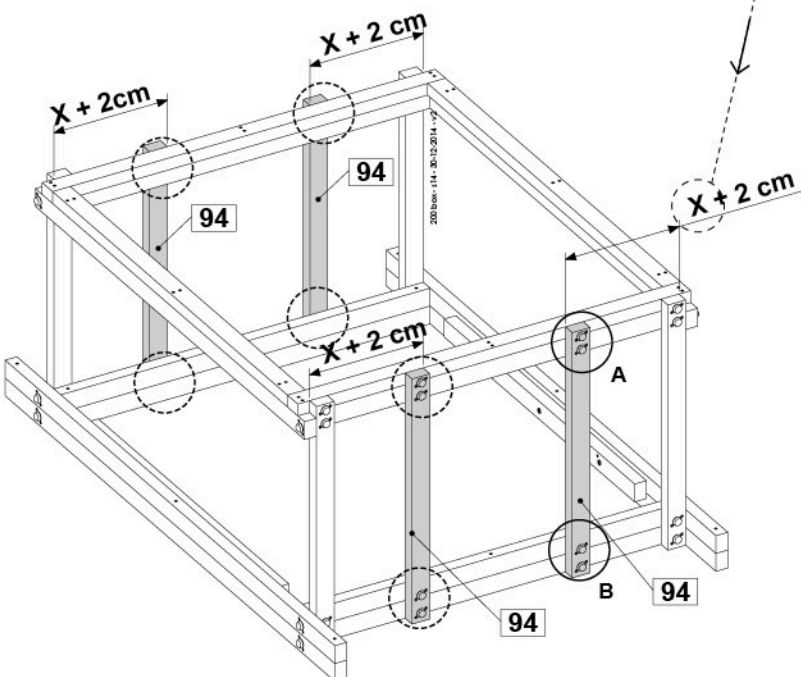
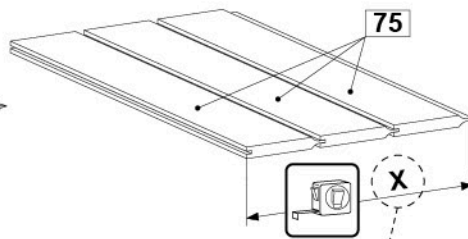
12x 80 mm



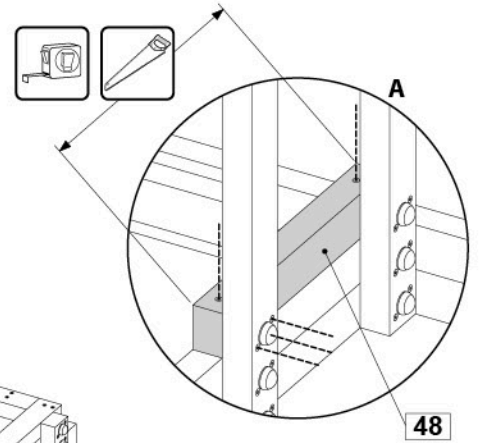
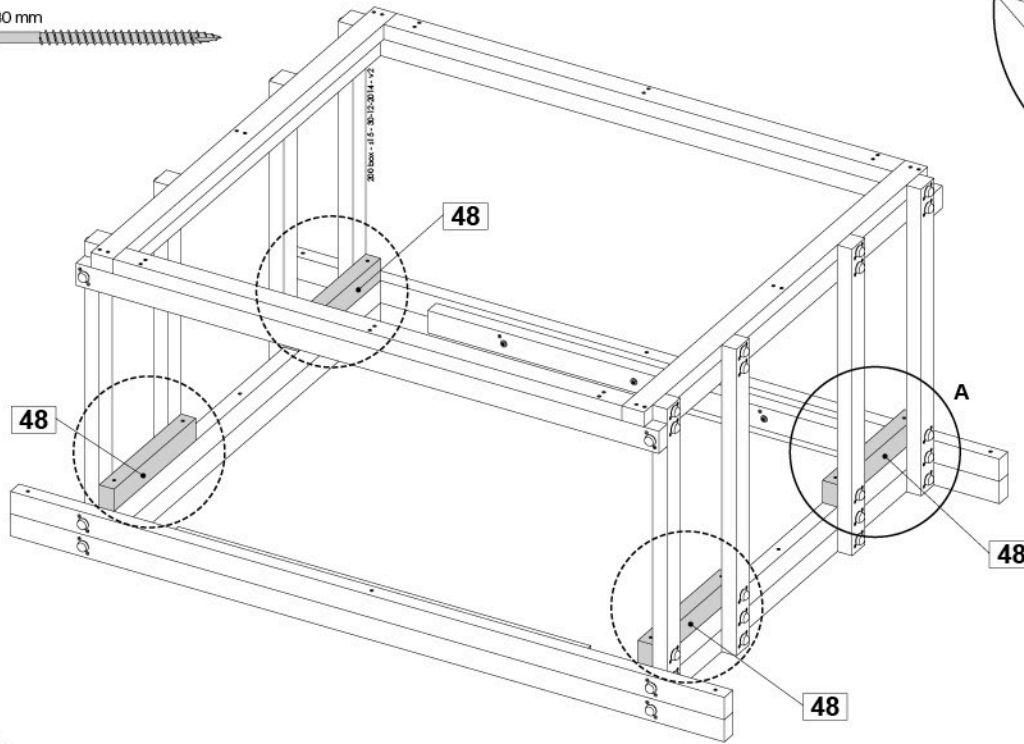
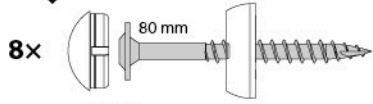
6n

16x 80 mm

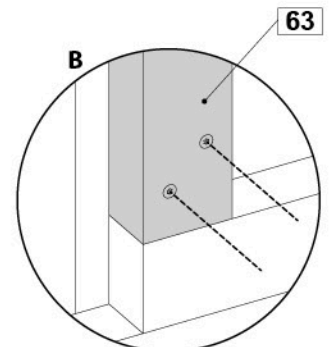
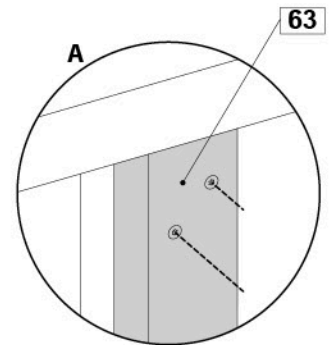
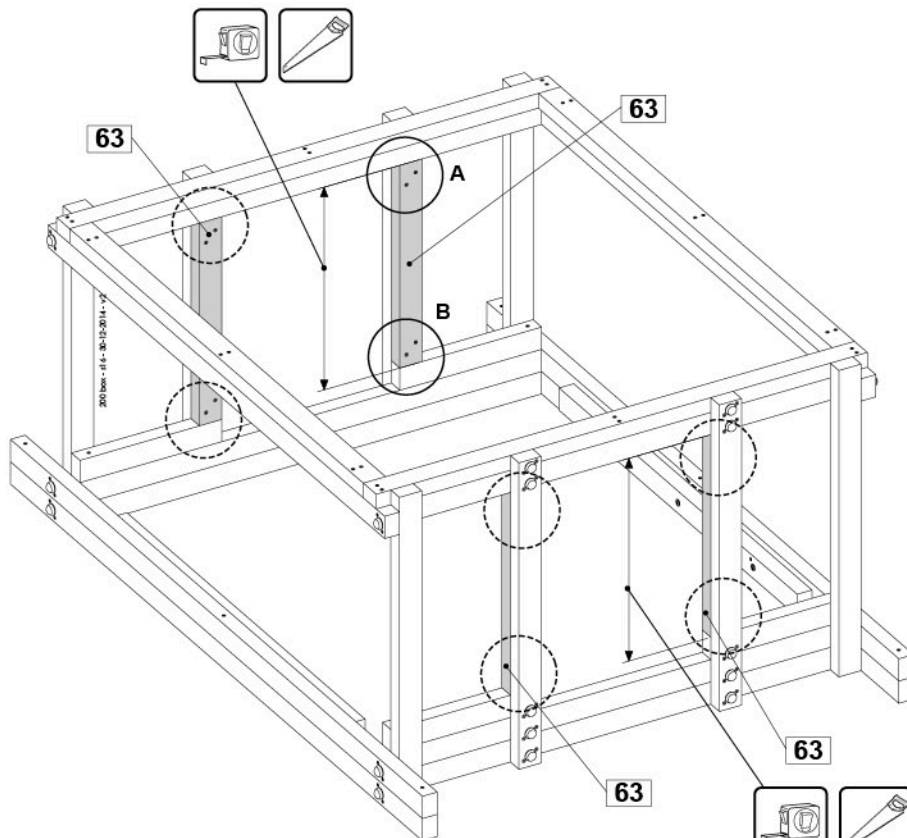
32x 80 mm



6o

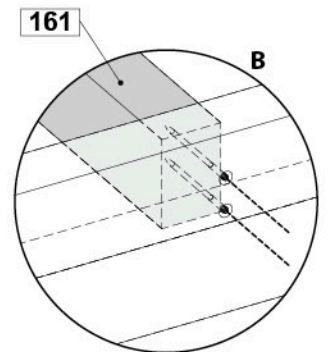
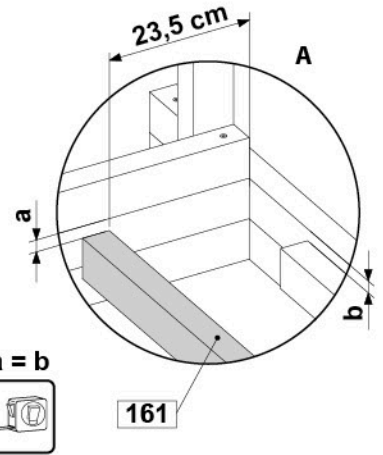
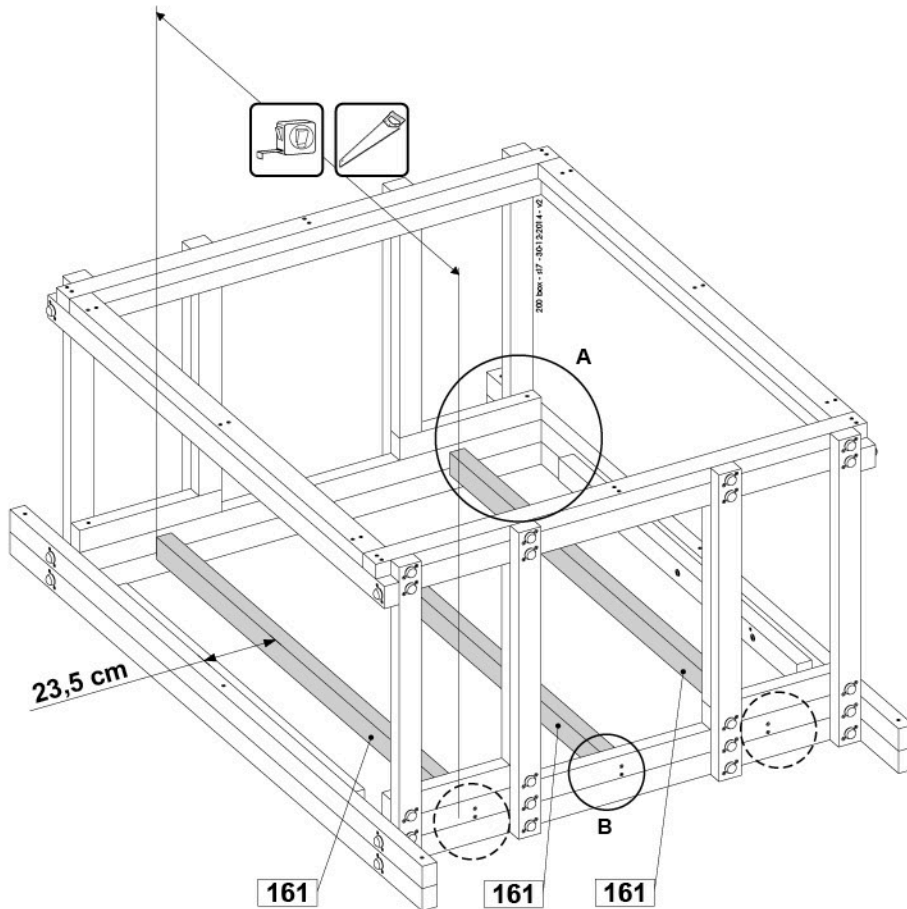


6p

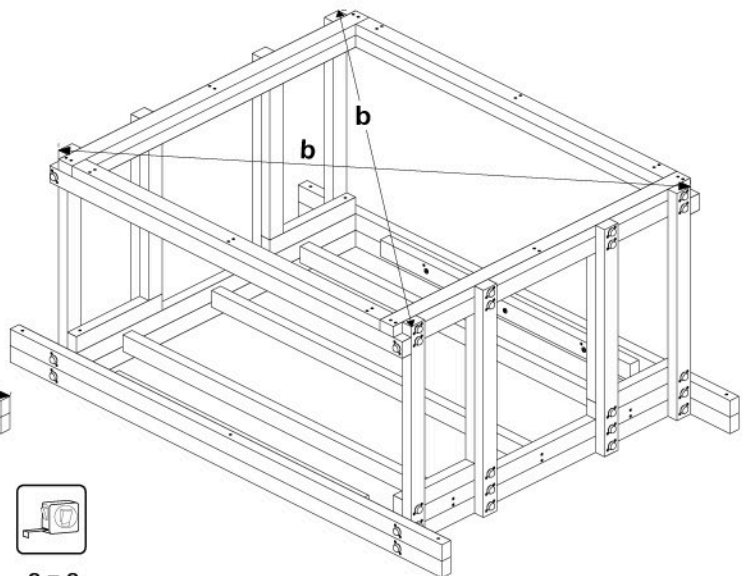
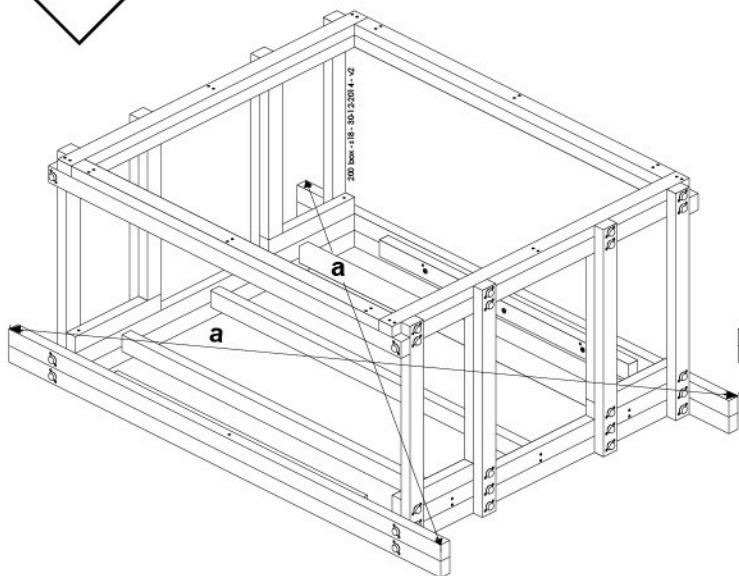


6q

12x 80 mm 

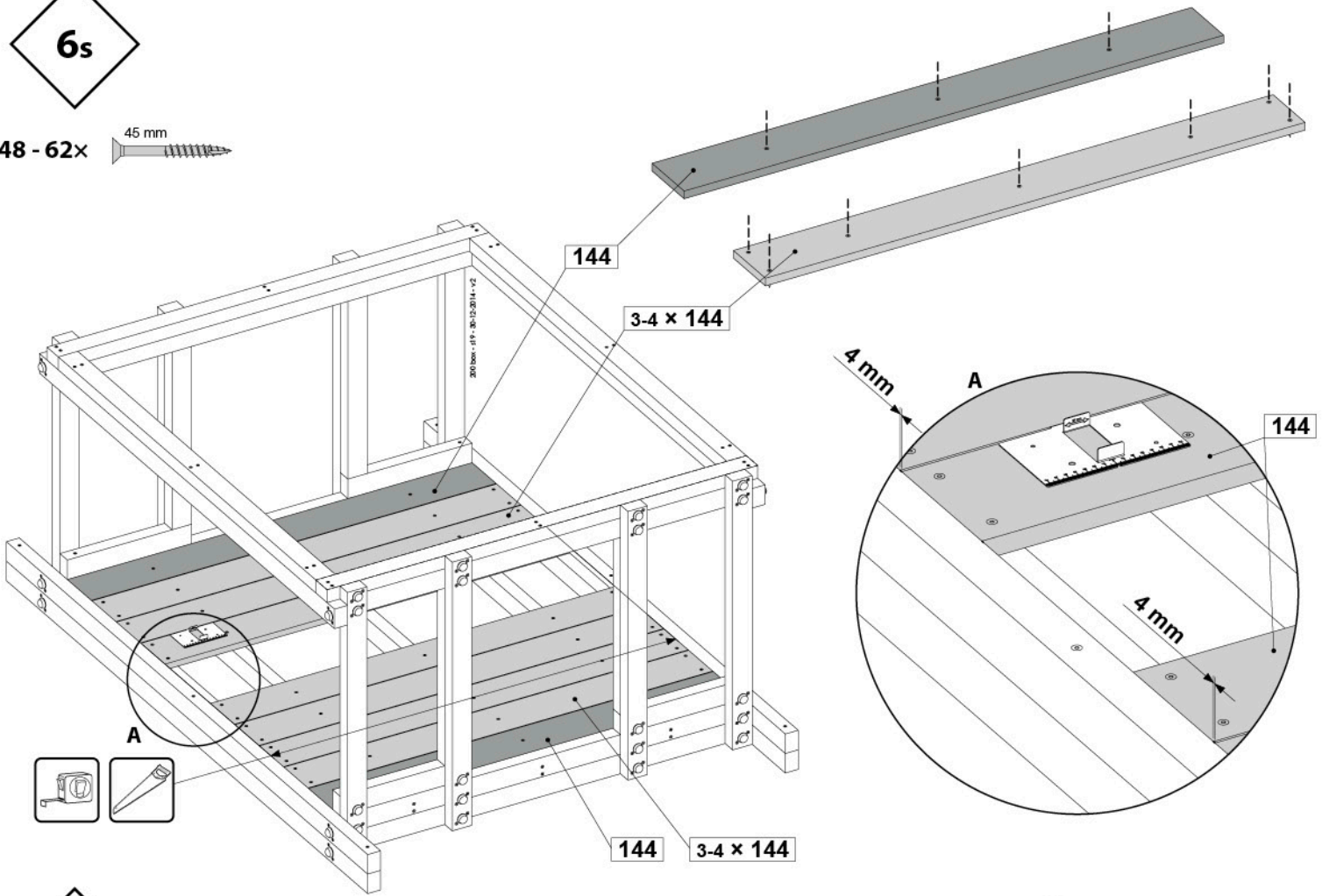


6r

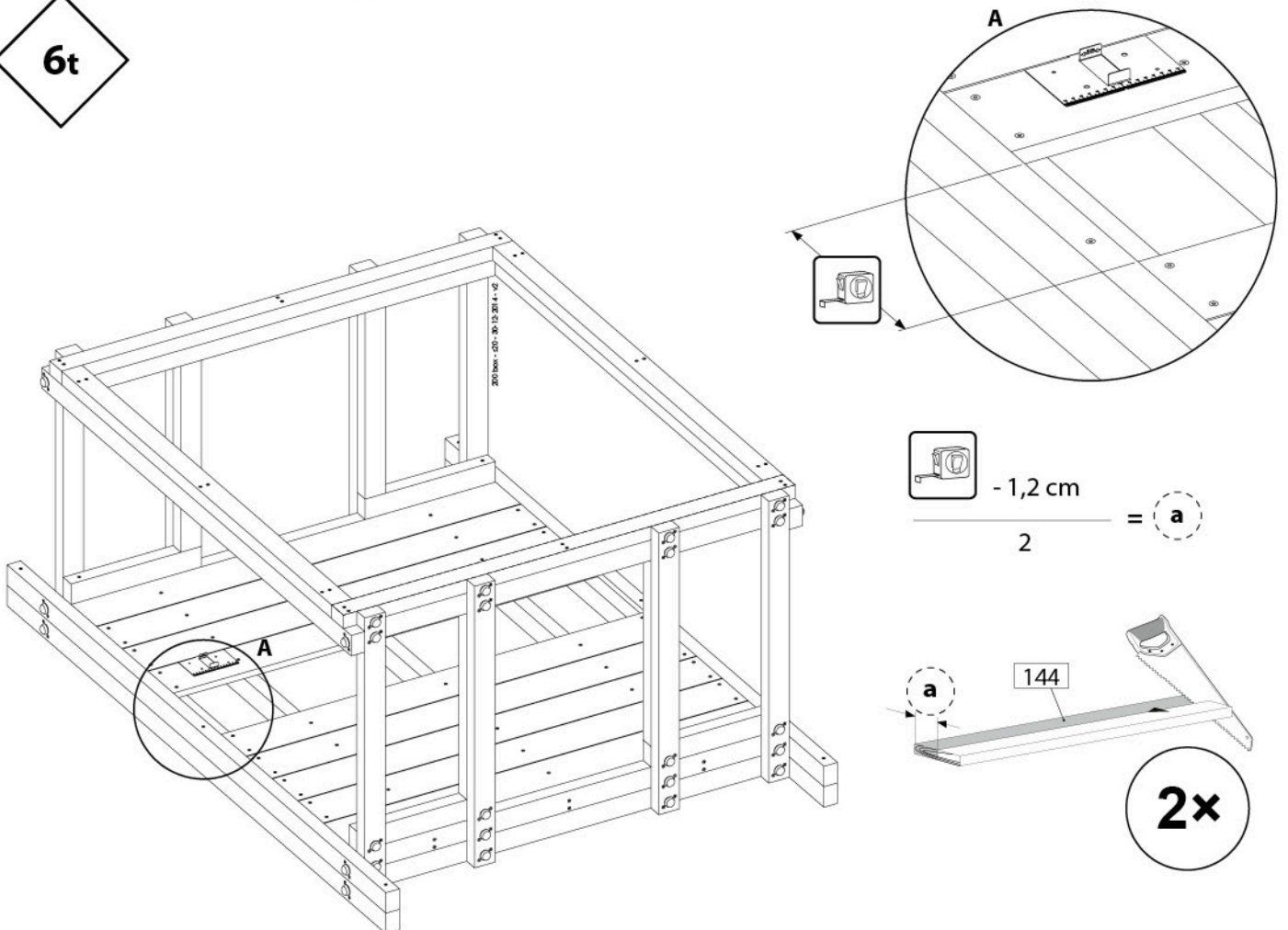


6s

48 - 62x 45 mm 

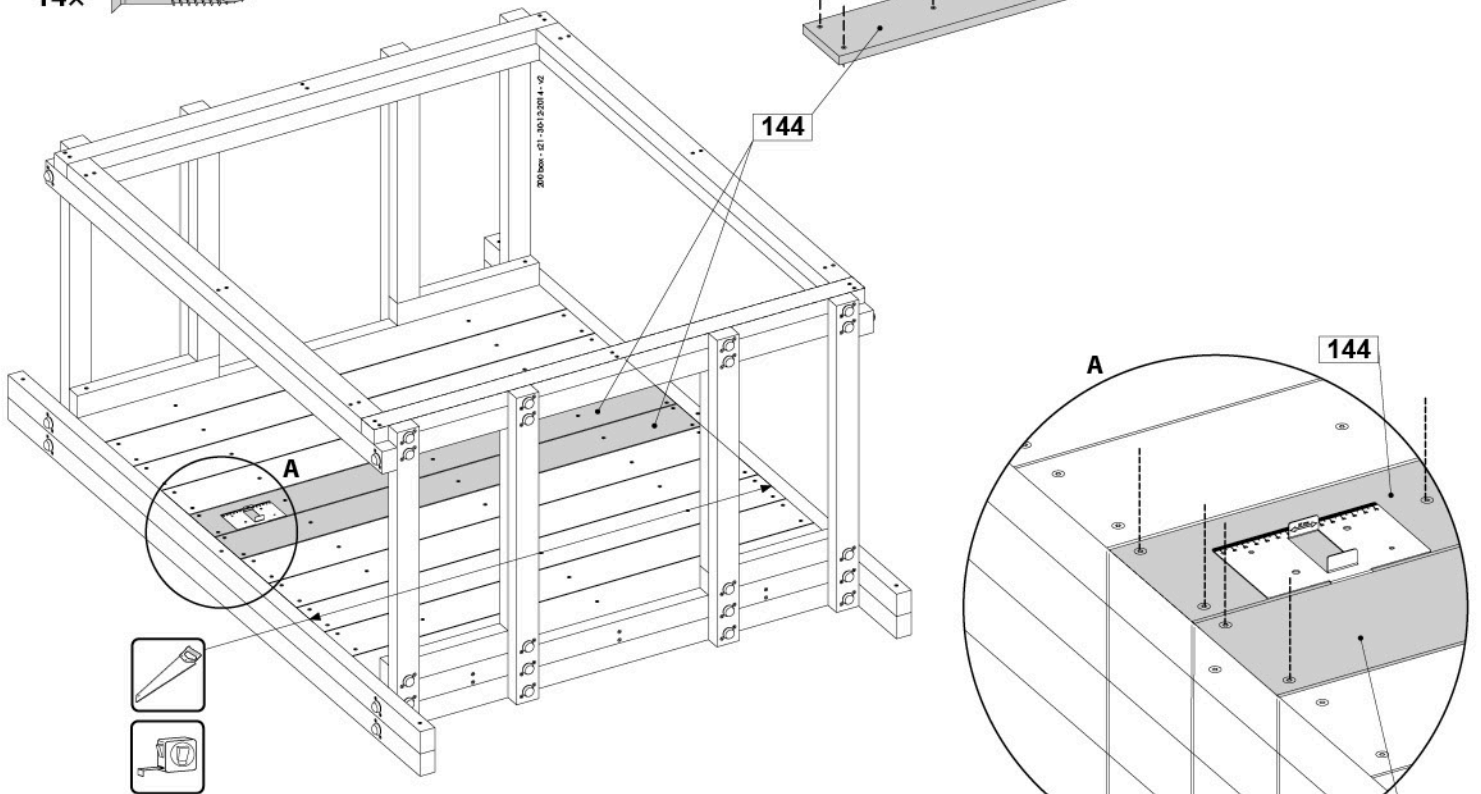


6t



6u

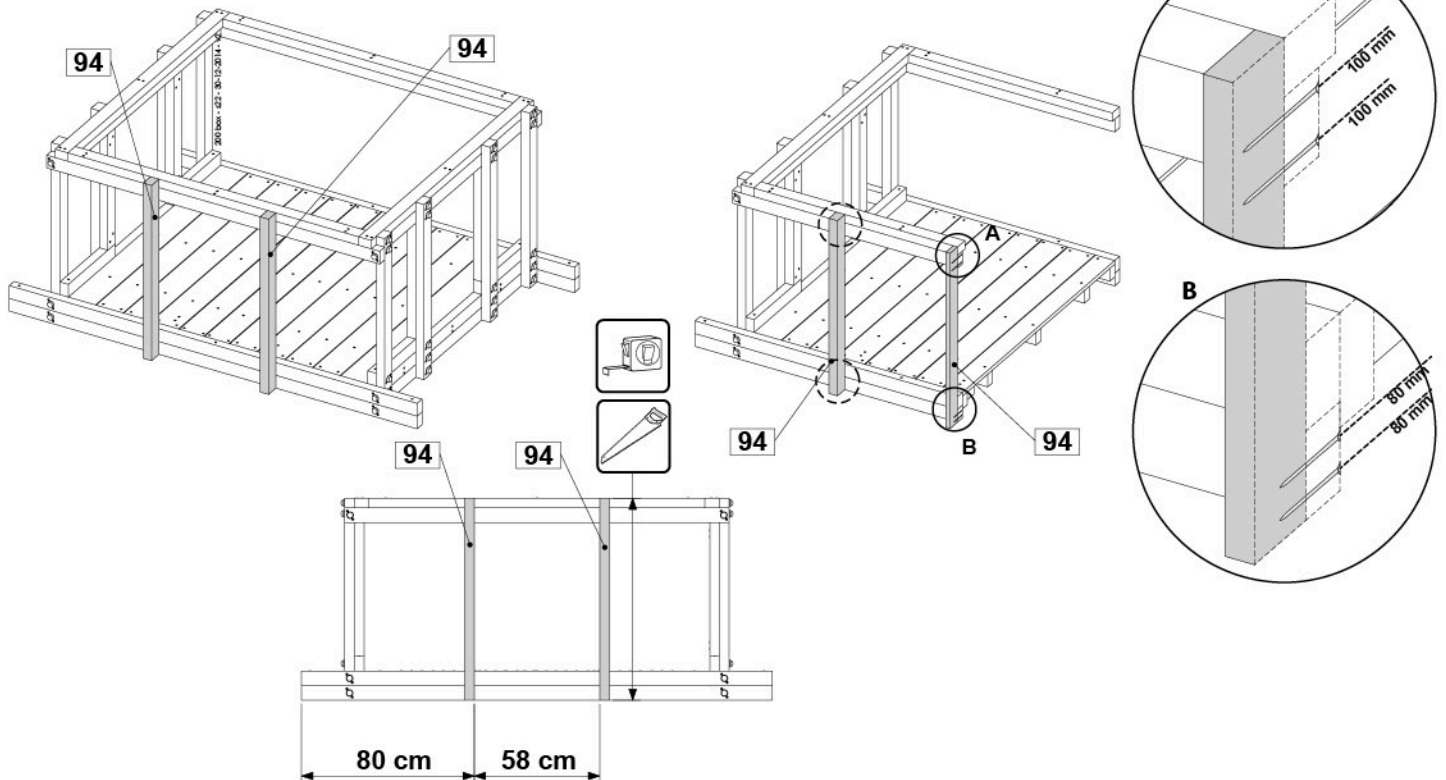
14x 45 mm



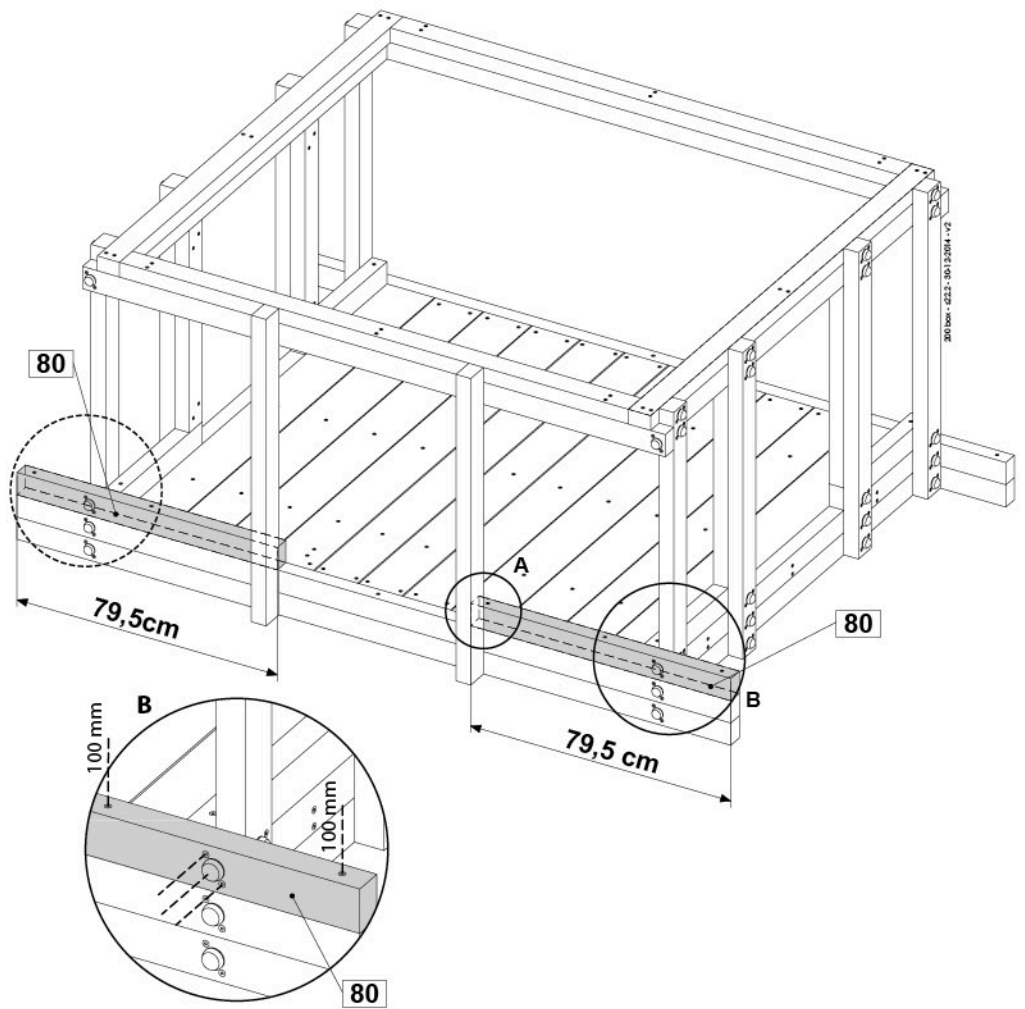
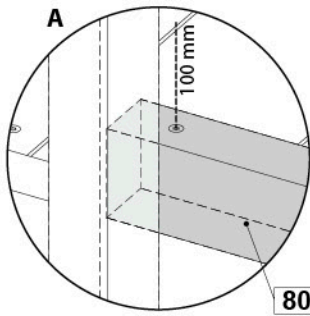
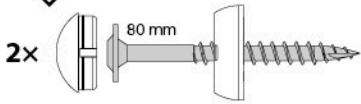
6v

4x 100 mm

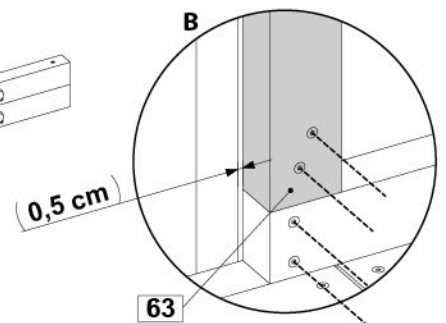
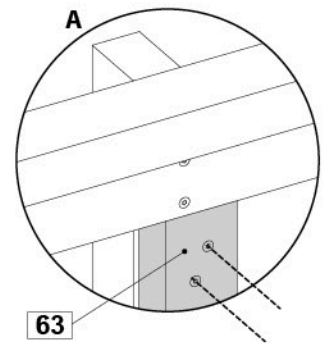
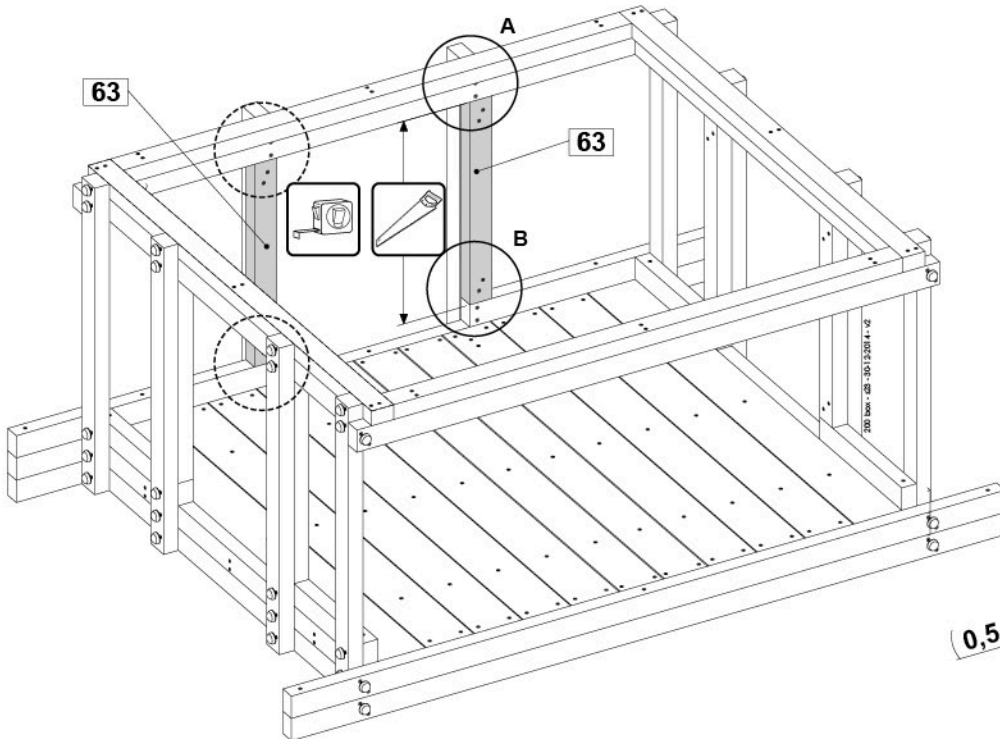
4x 80 mm



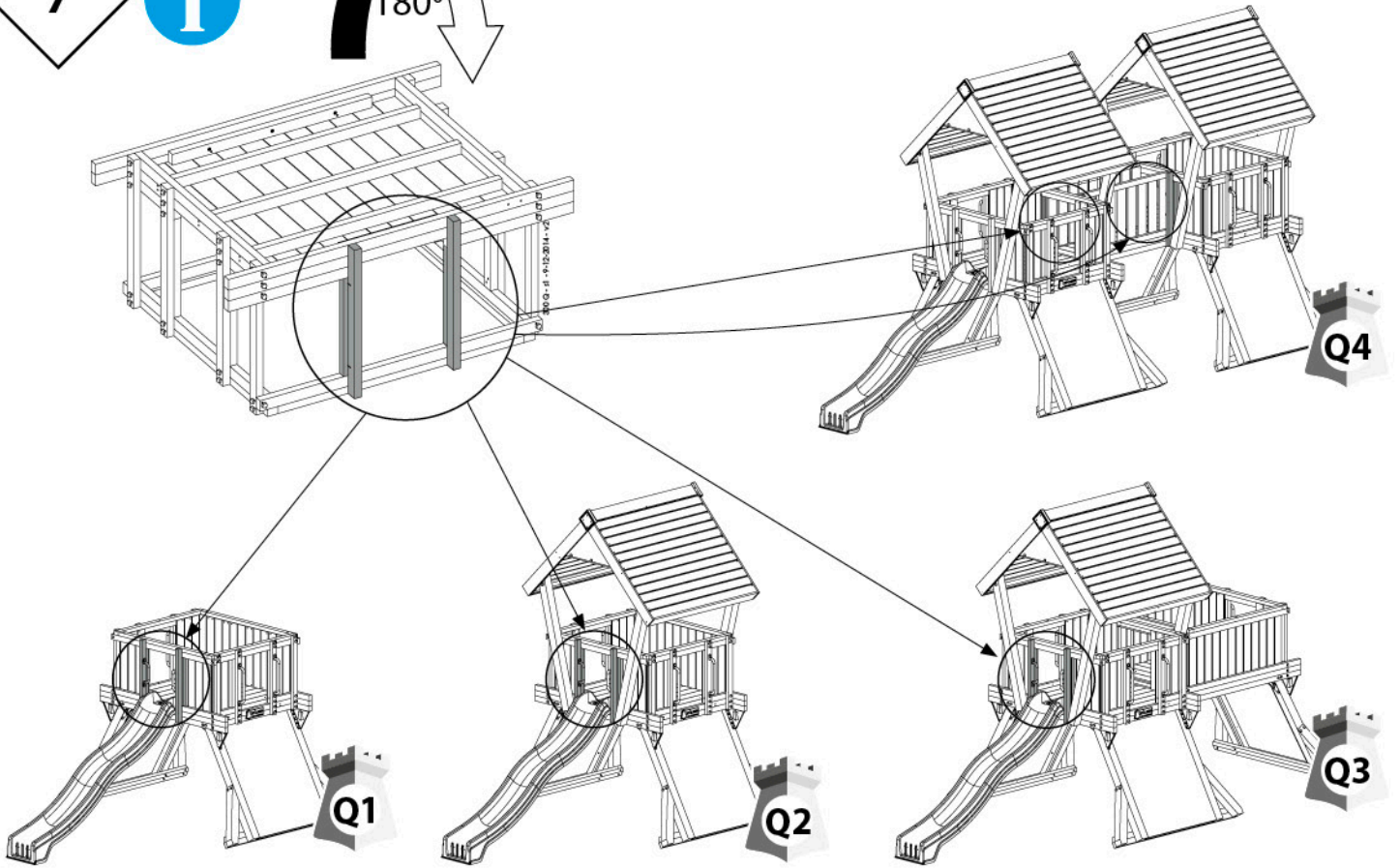
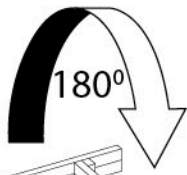
6w



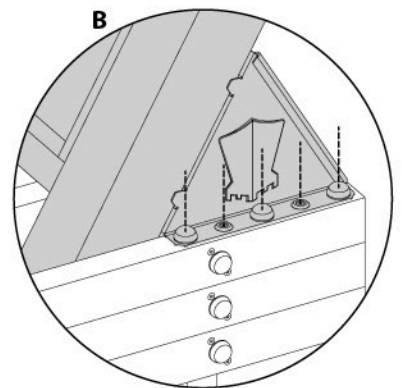
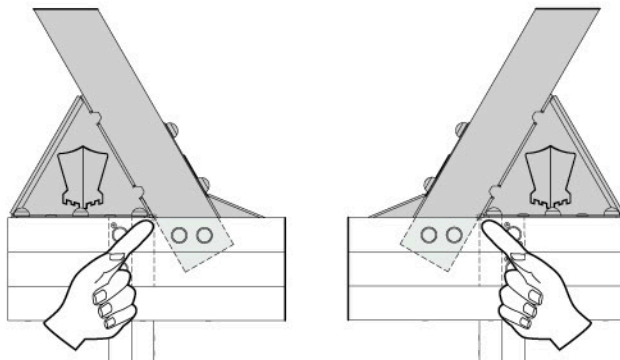
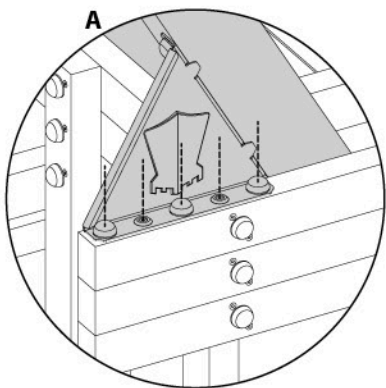
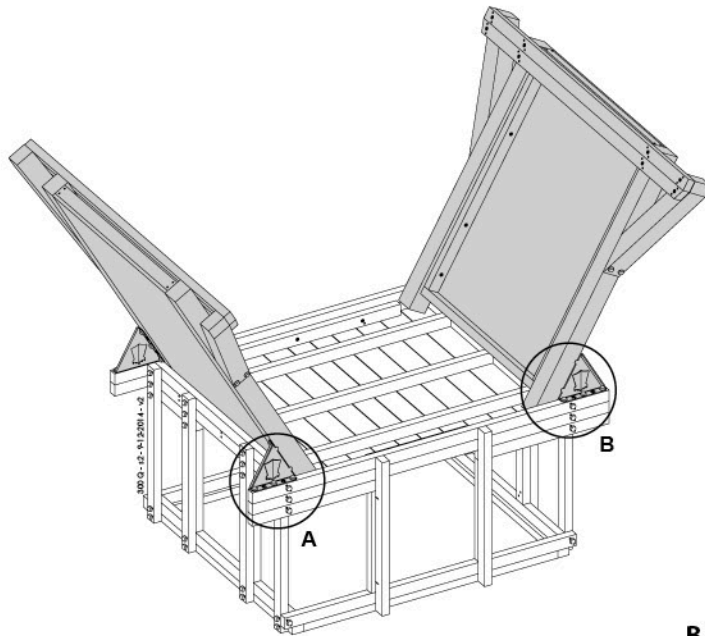
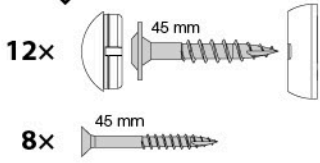
6x



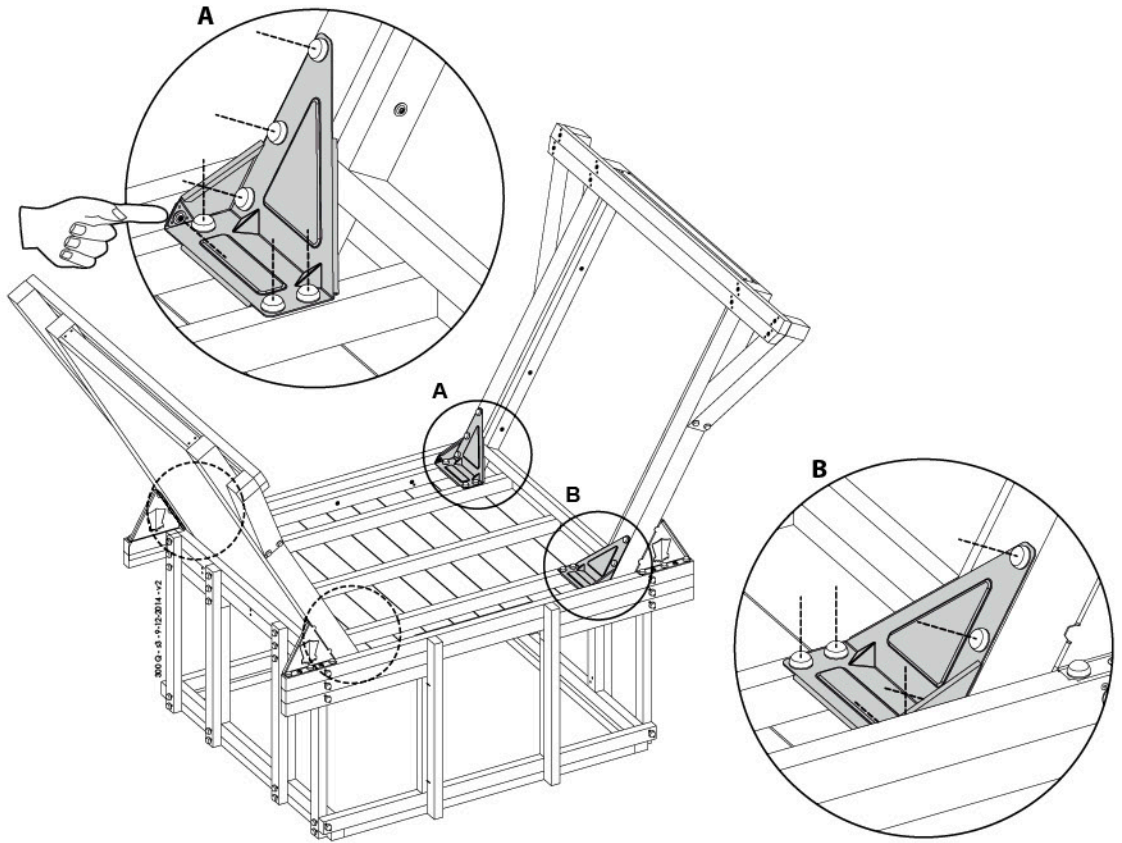
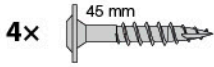
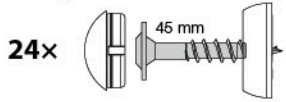
7



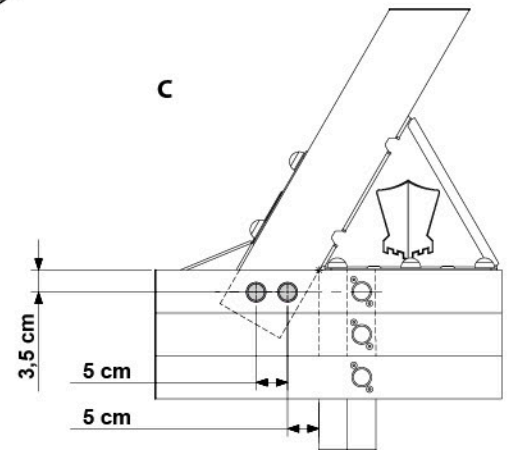
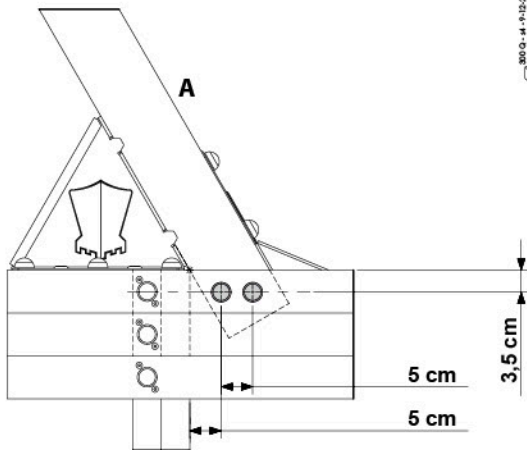
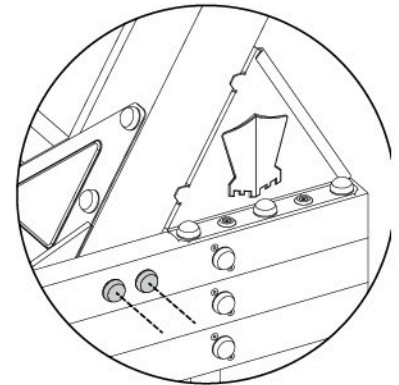
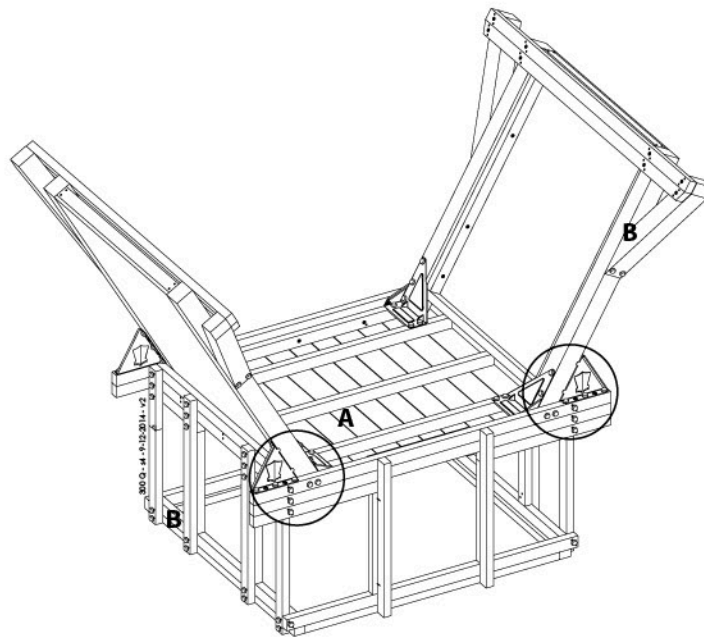
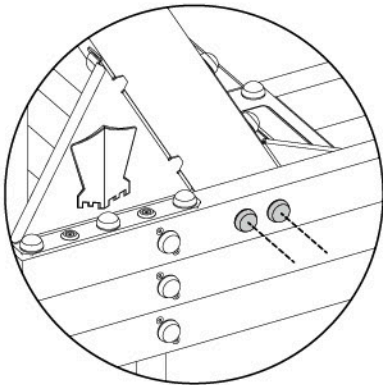
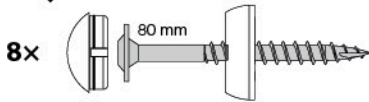
7a



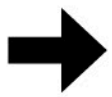
7b



7c



7d

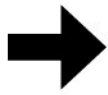


6a

7c

2x

7e



8



9

8a



36 - 44x



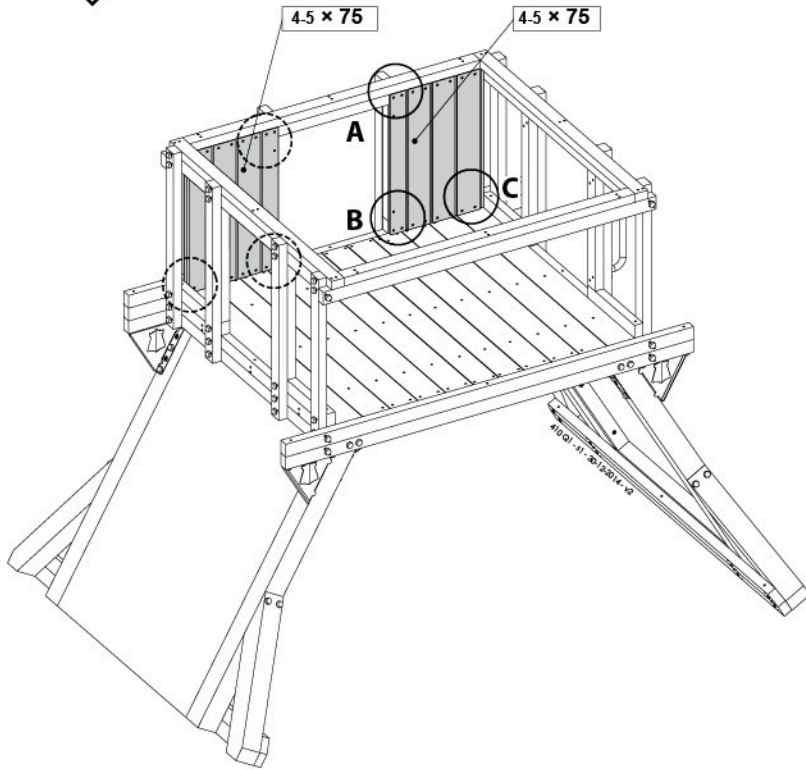
4.5 x 75

4.5 x 75

A

B

C



A

75

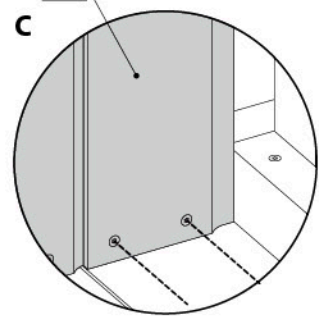
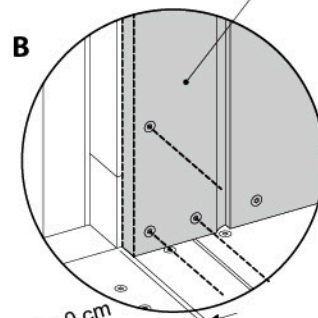
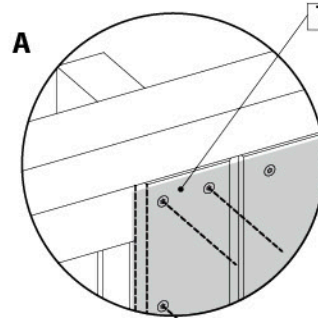
B

75

C

75

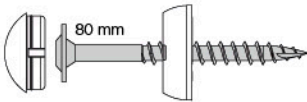
min. 0 cm
max. 5 cm



8b



2x



3x



4x



218

218

A

B

A

B

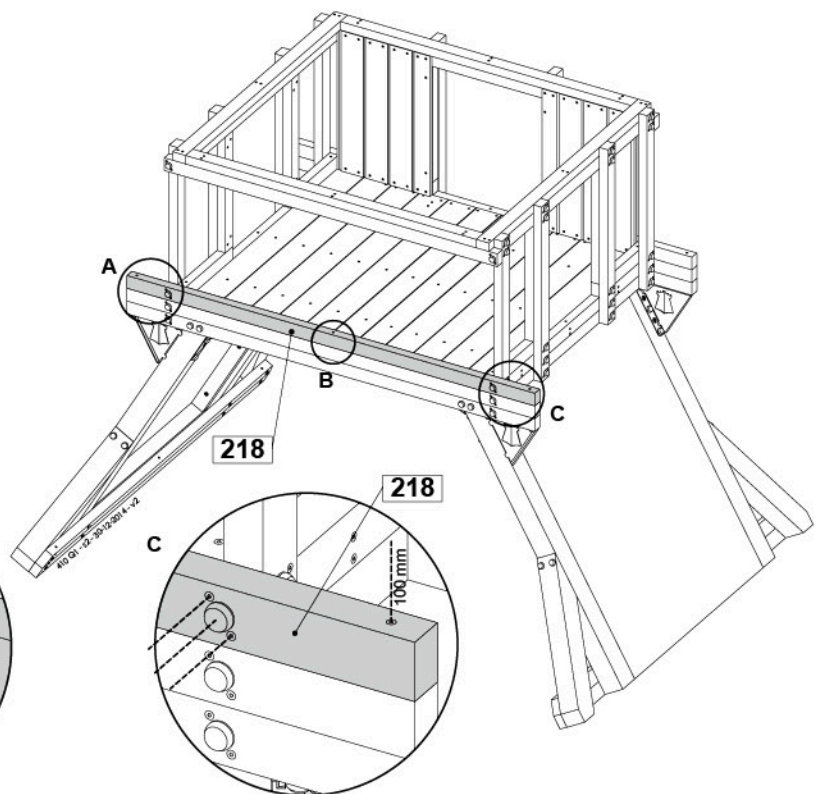
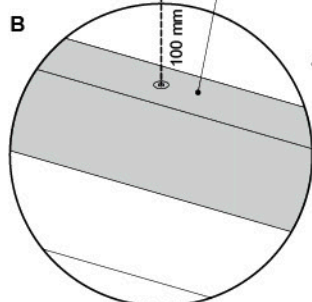
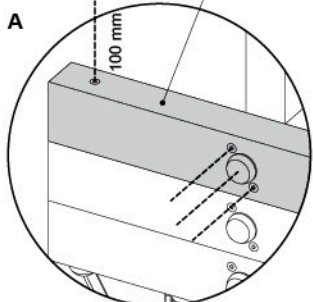
C

218

218

C

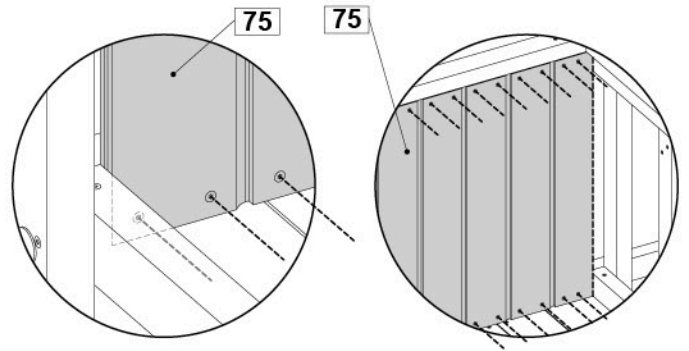
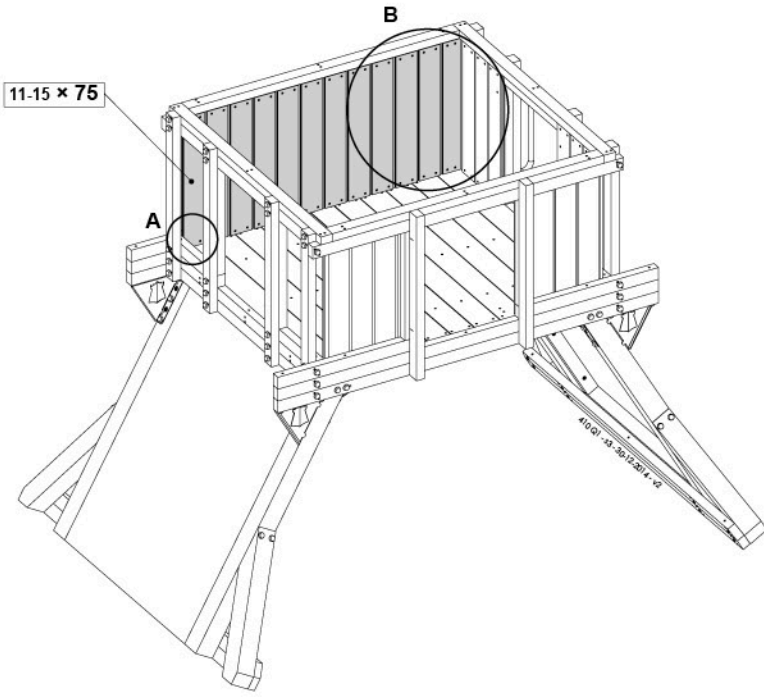
100 mm



8c



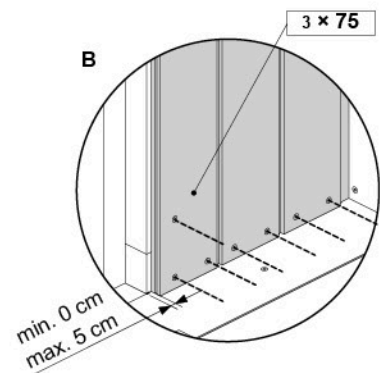
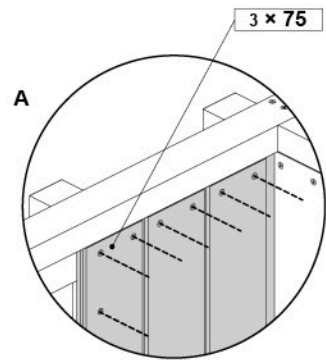
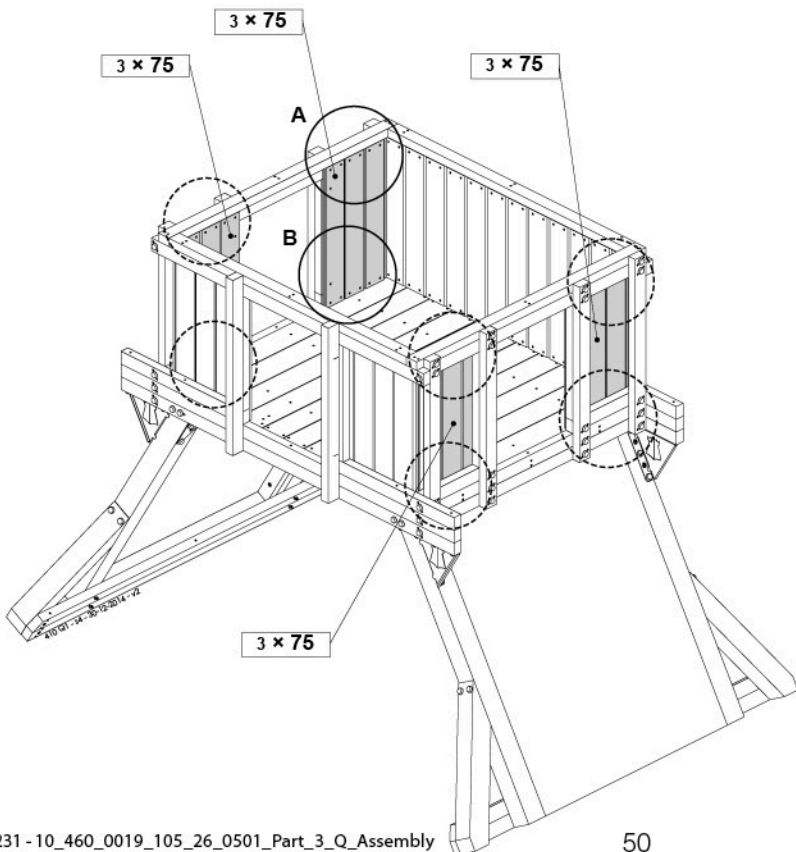
44 - 60x 45 mm



8d

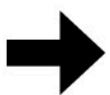
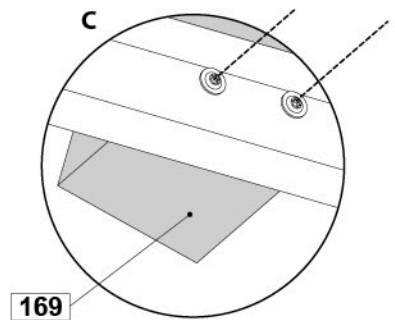
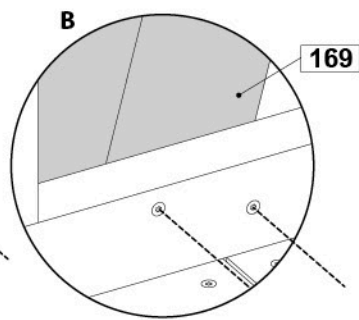
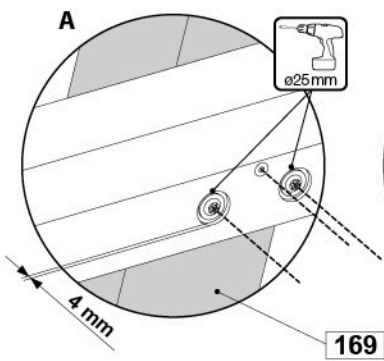
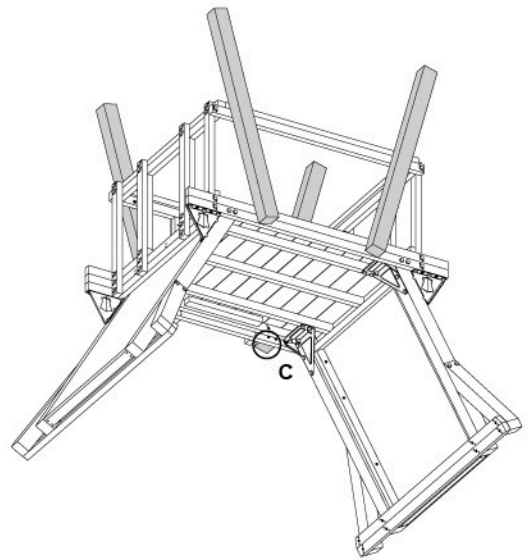
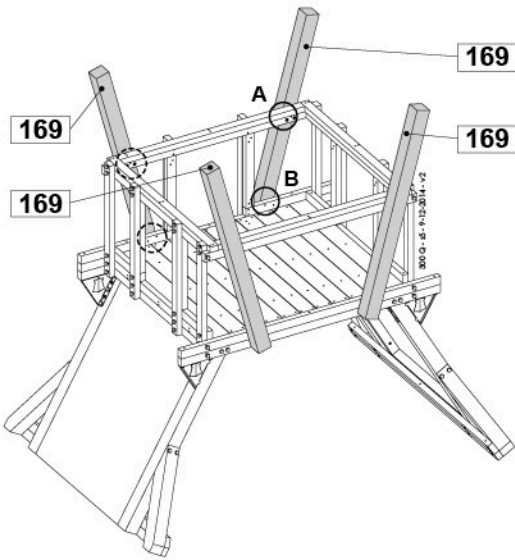
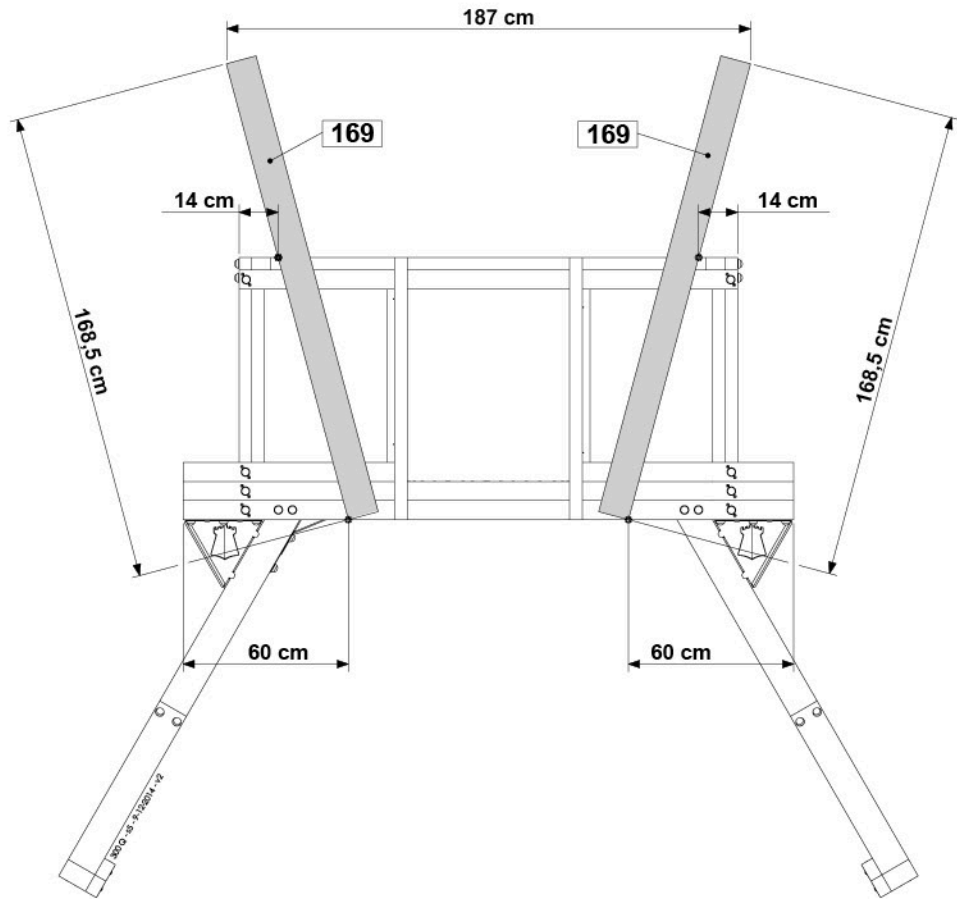


56x 45 mm



9a

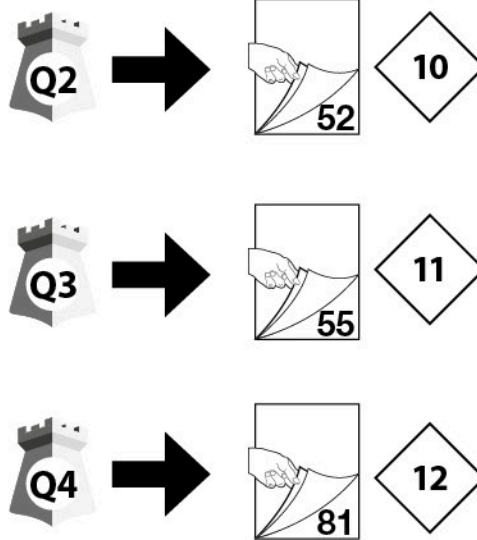
- 16x 80 mm
- 8x 80 mm



9a

2x

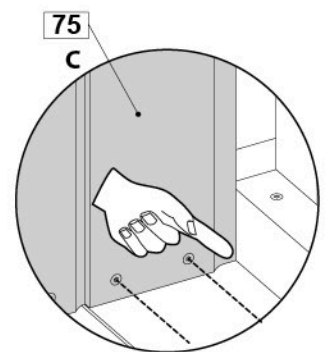
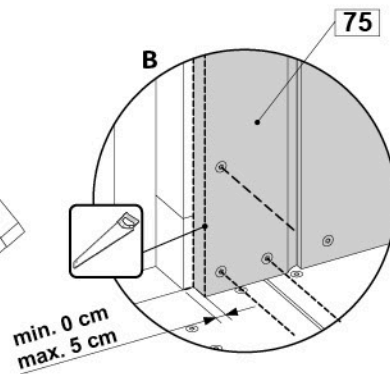
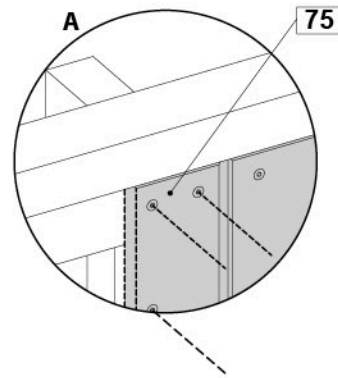
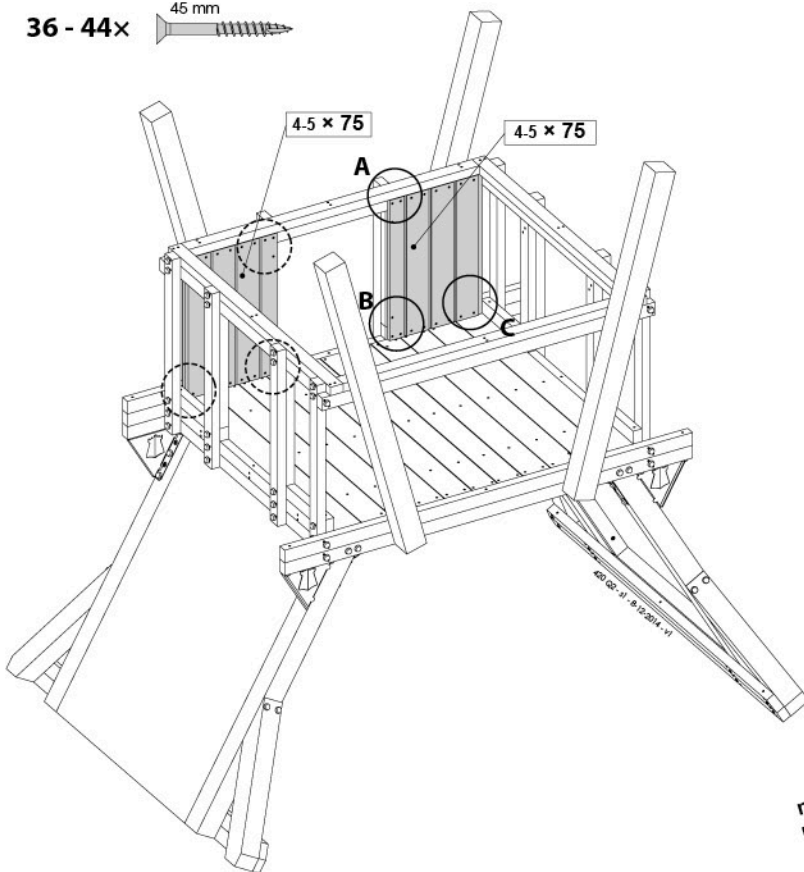
9b



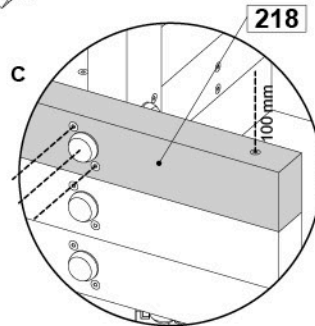
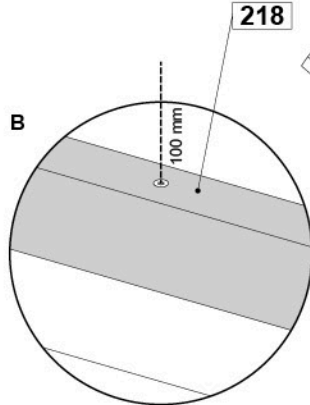
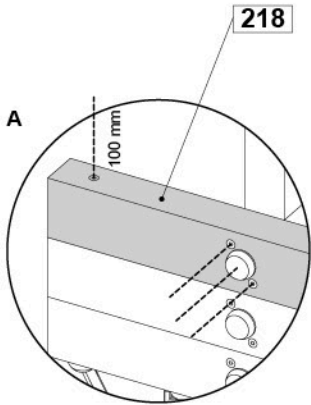
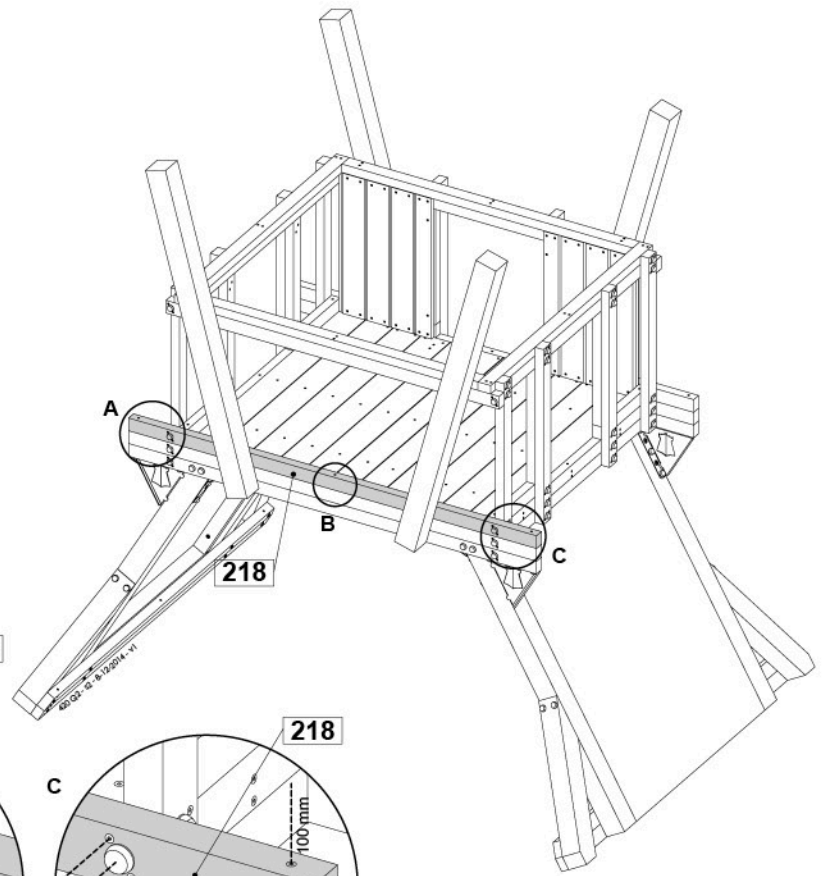
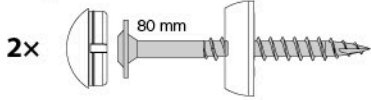
10a



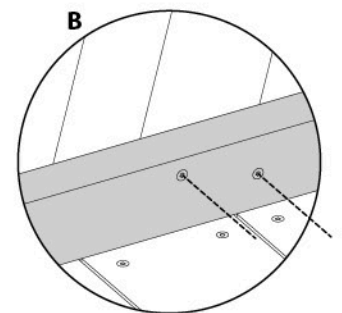
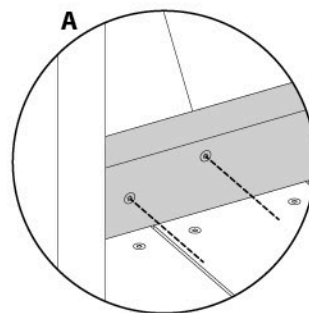
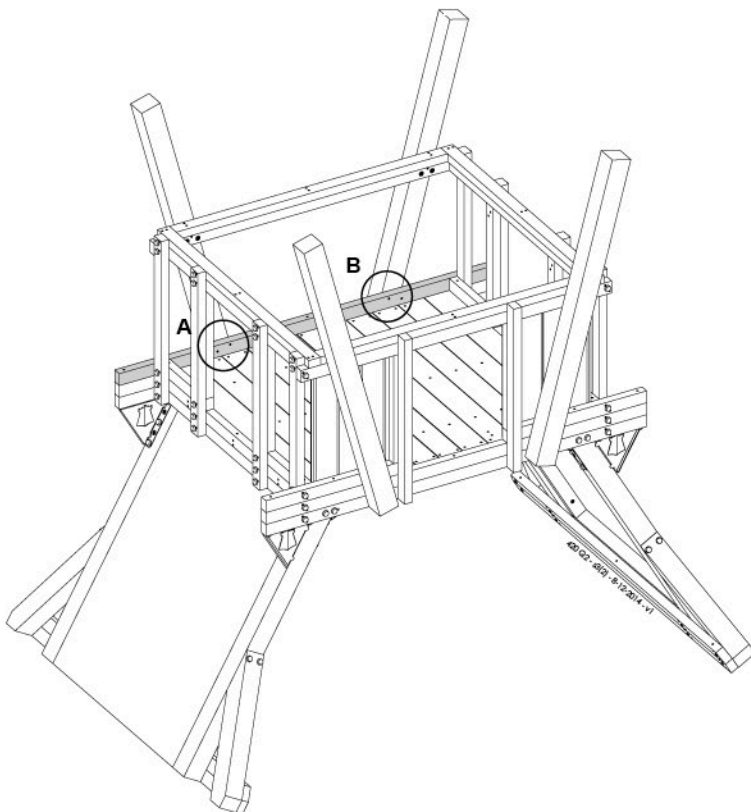
36 - 44x 45 mm



10b



10c

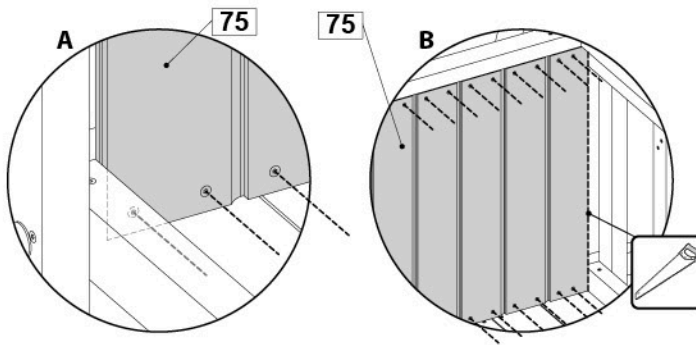
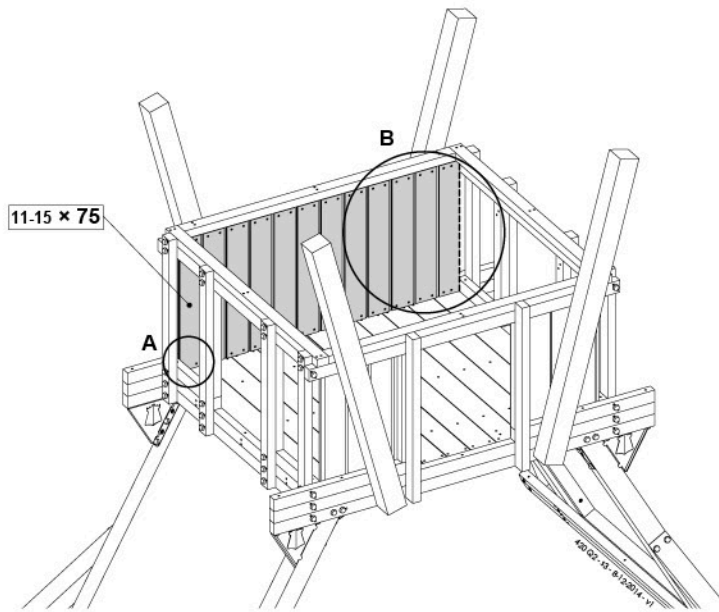


10d



44 - 60x

45 mm

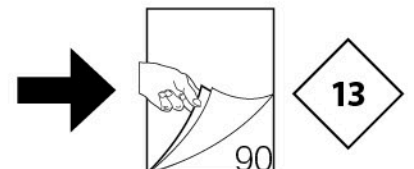
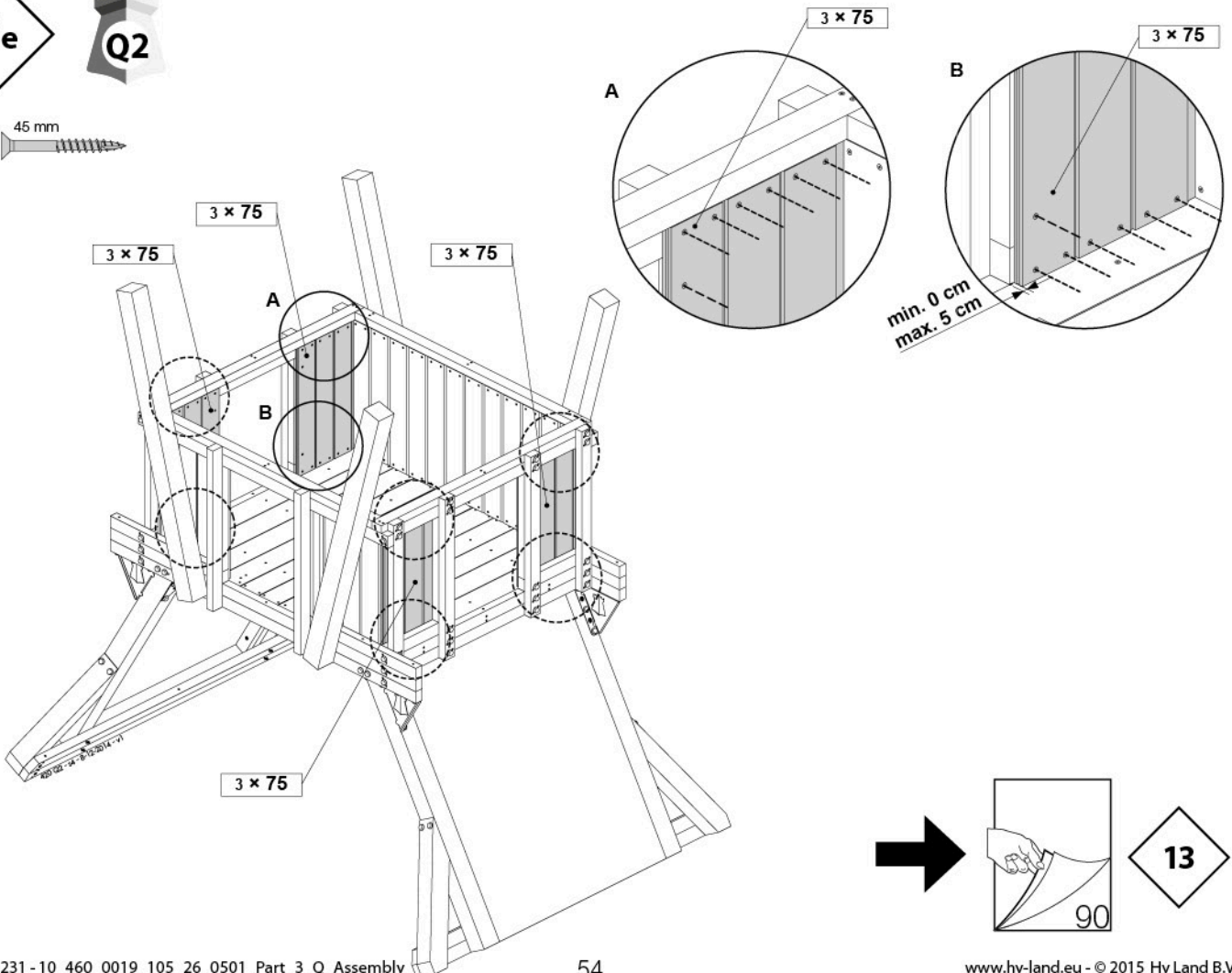
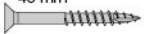


10e



56x

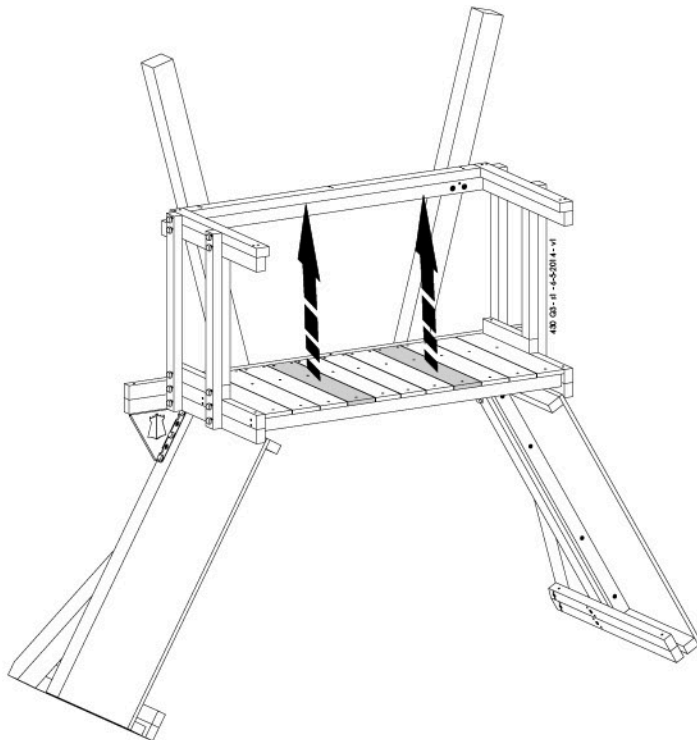
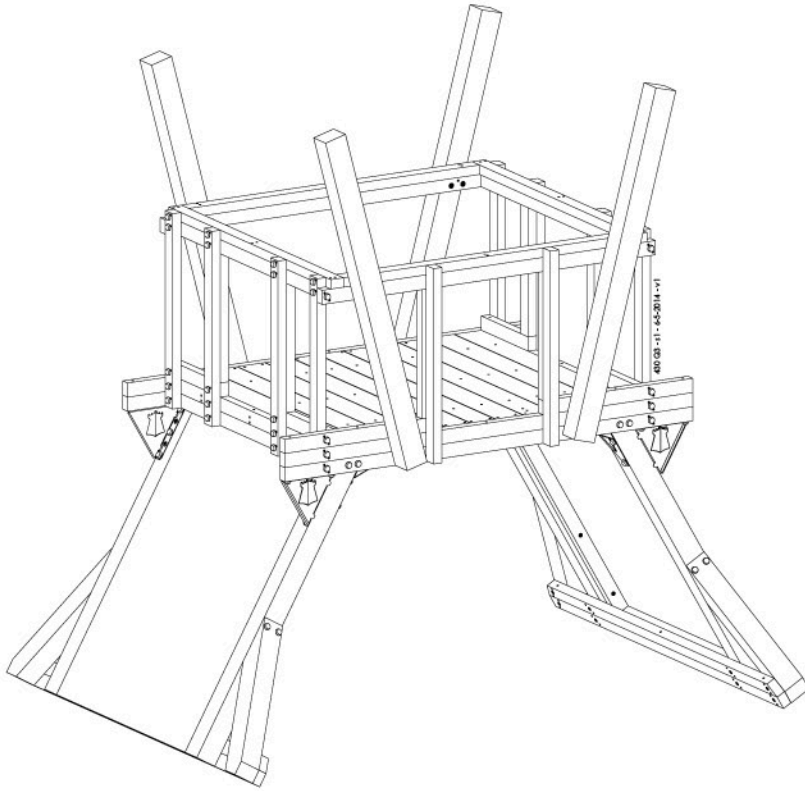
45 mm



13

11.1a

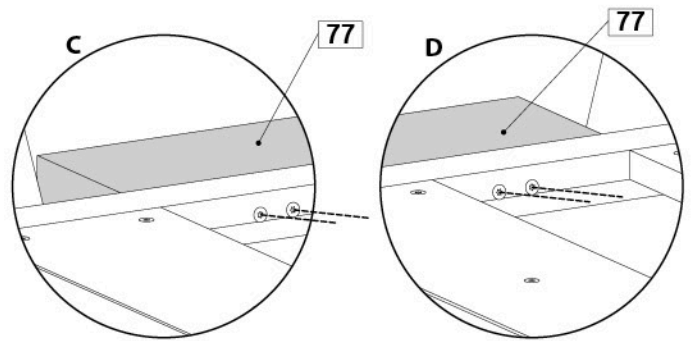
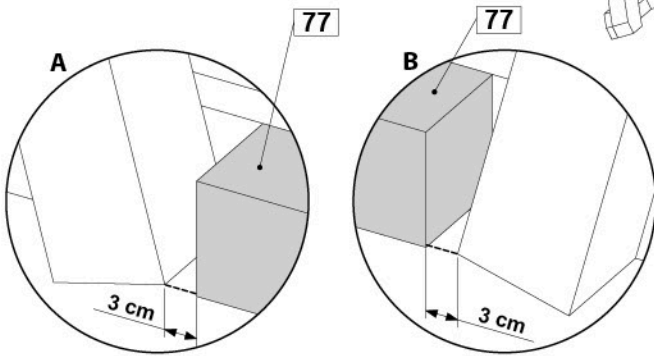
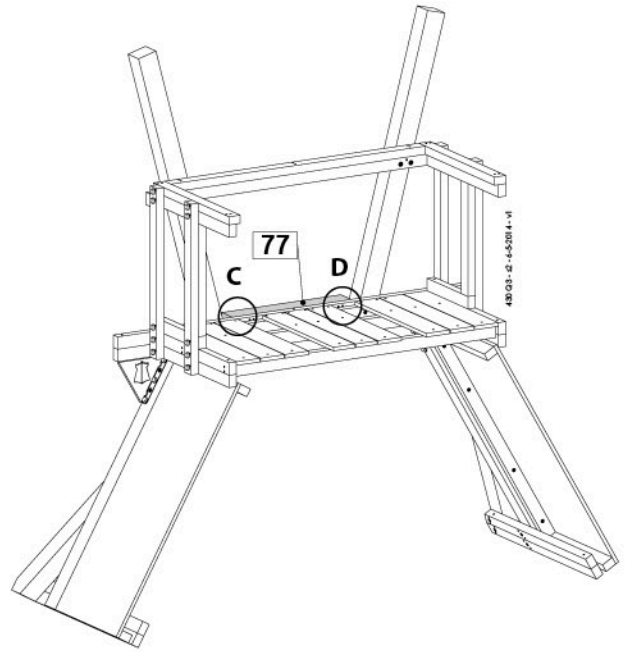
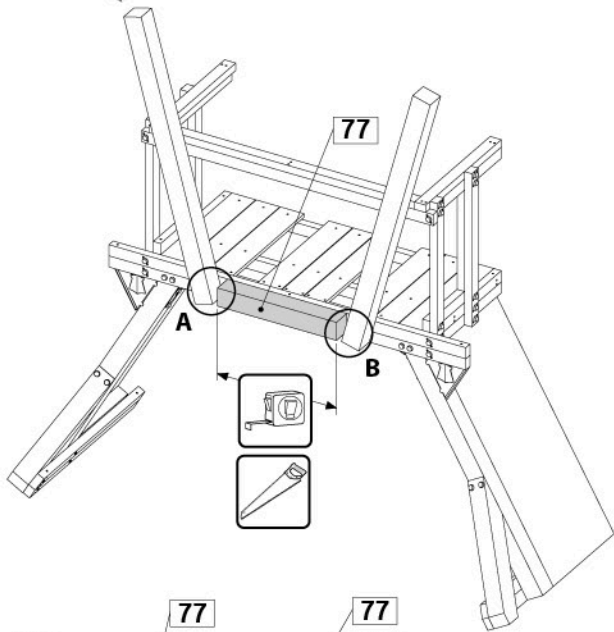
Q3



11.1b



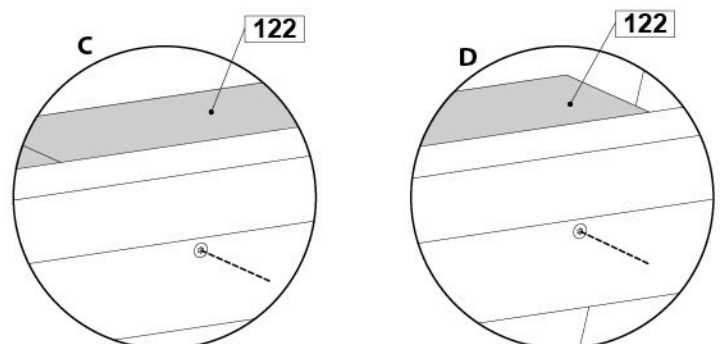
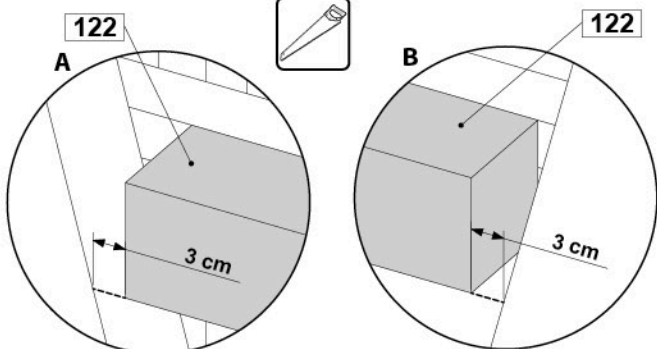
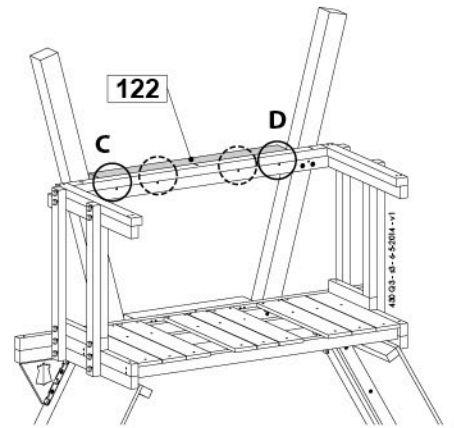
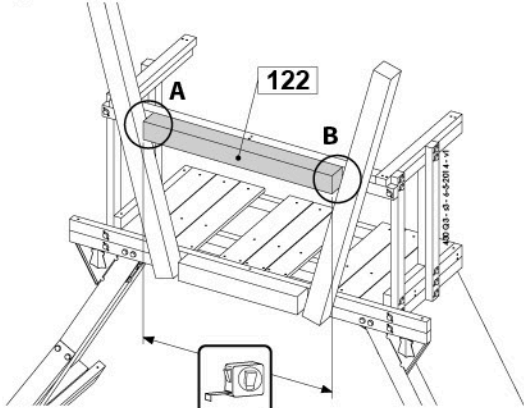
4x 80 mm



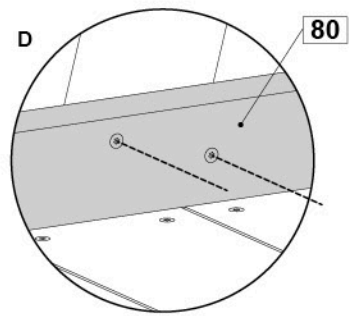
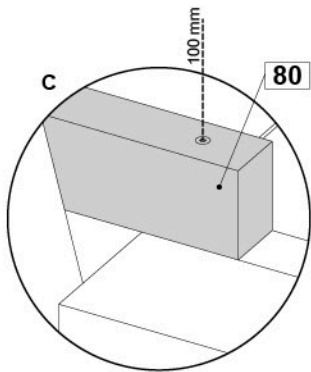
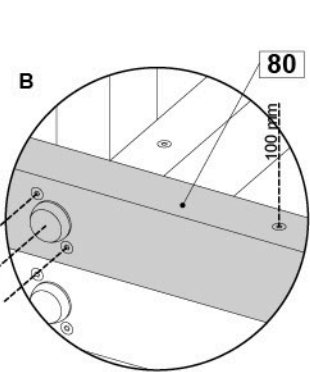
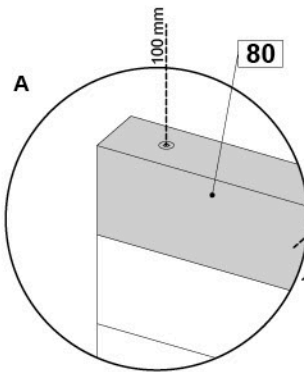
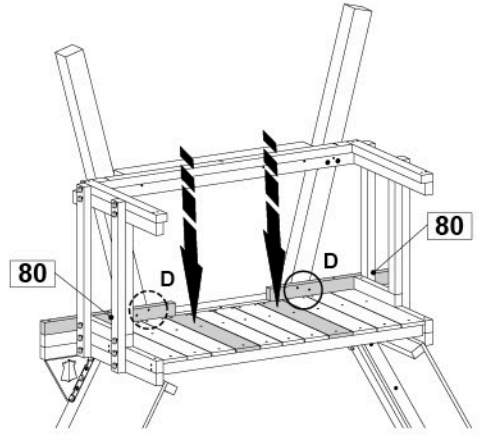
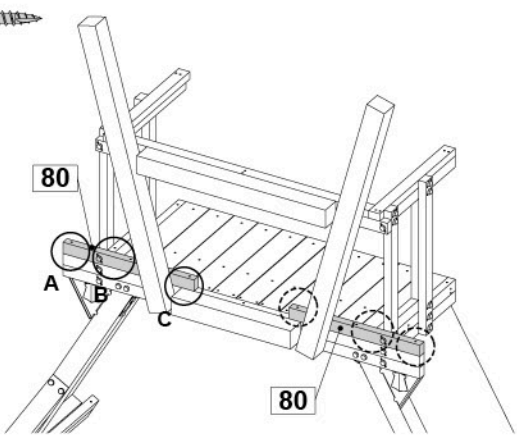
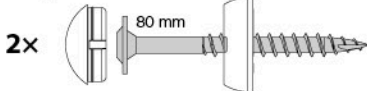
11.1c



4x 80 mm



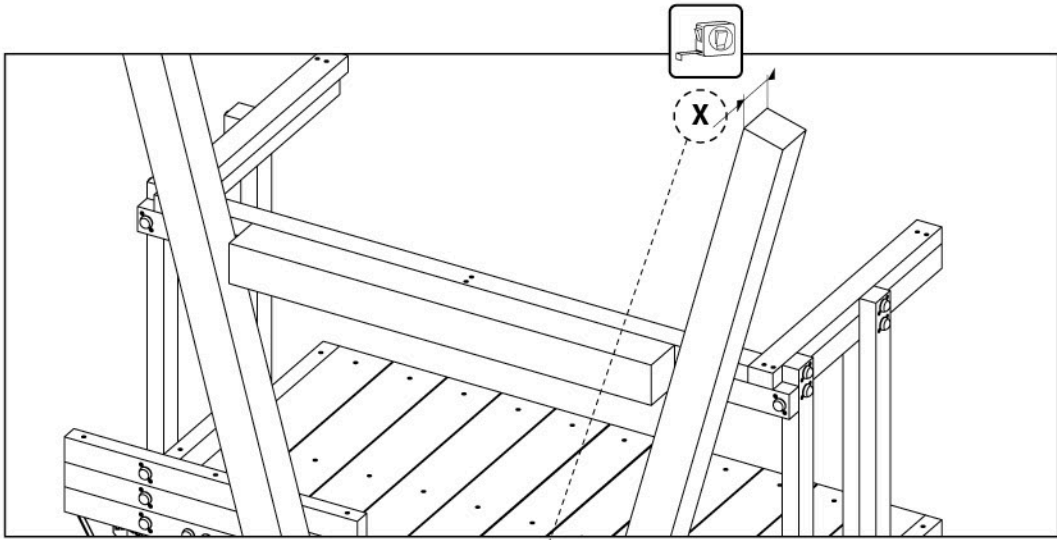
11.1d



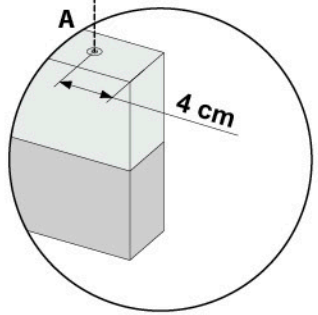
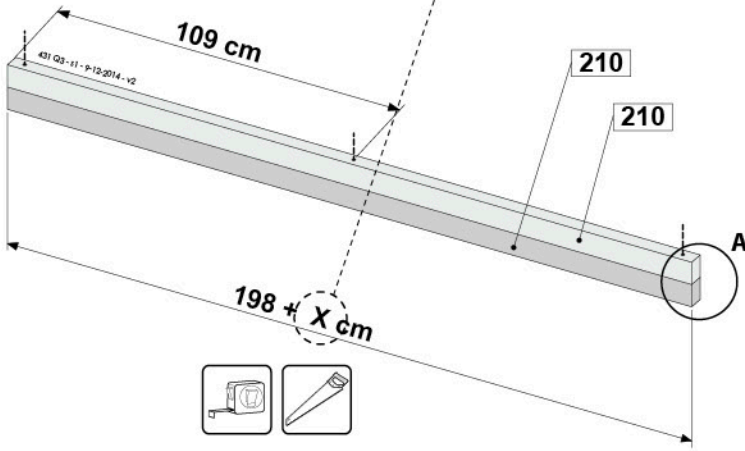
11.2a



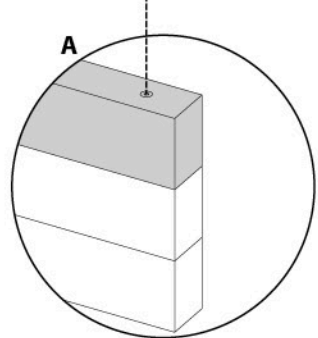
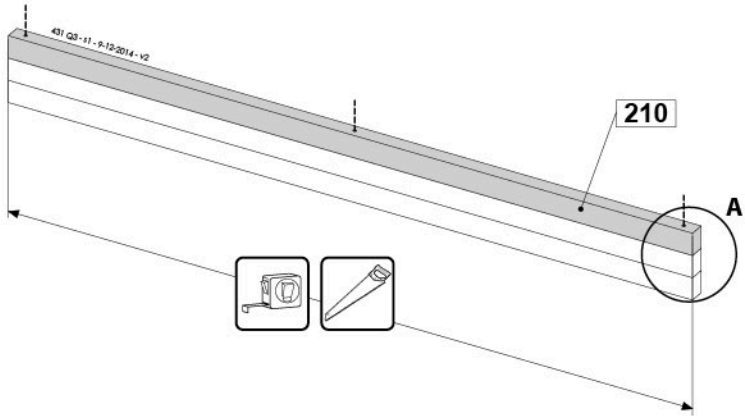
12x 100 mm



1



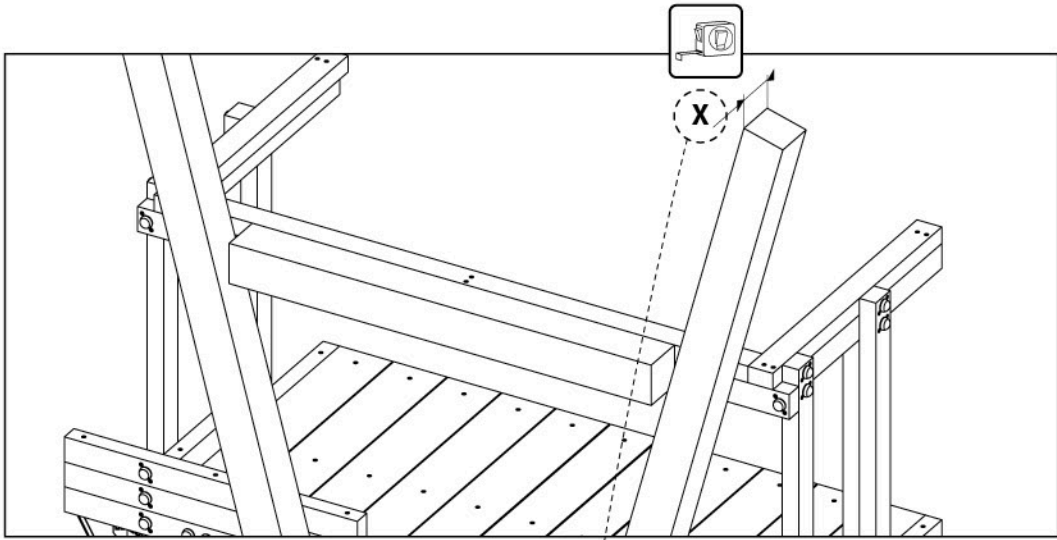
2



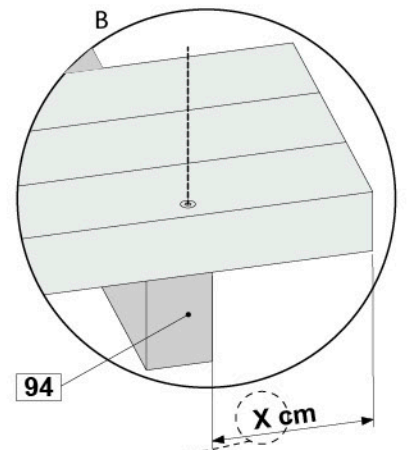
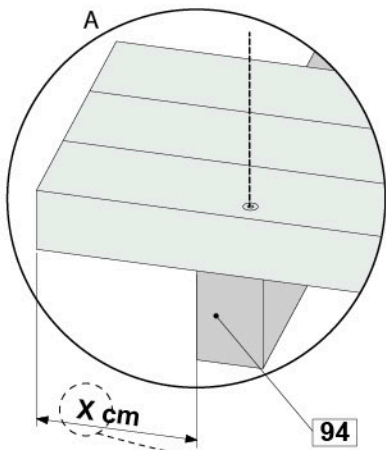
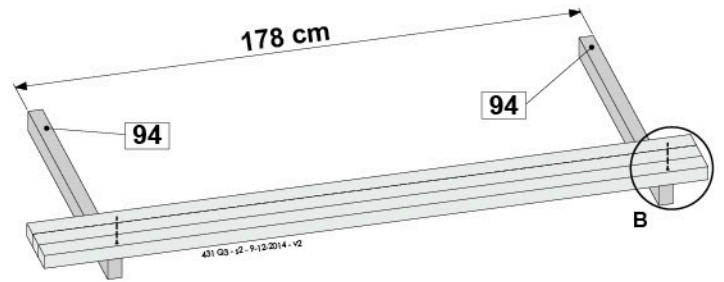
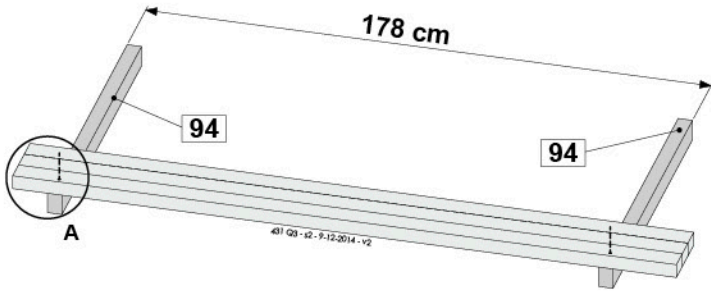
3



11.2b



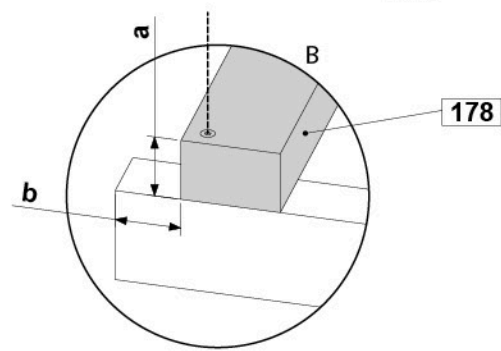
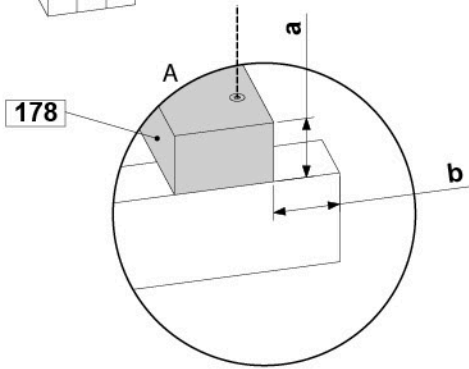
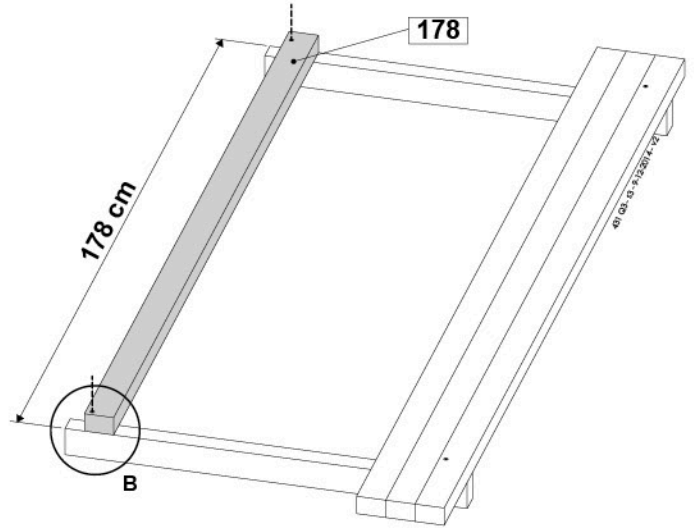
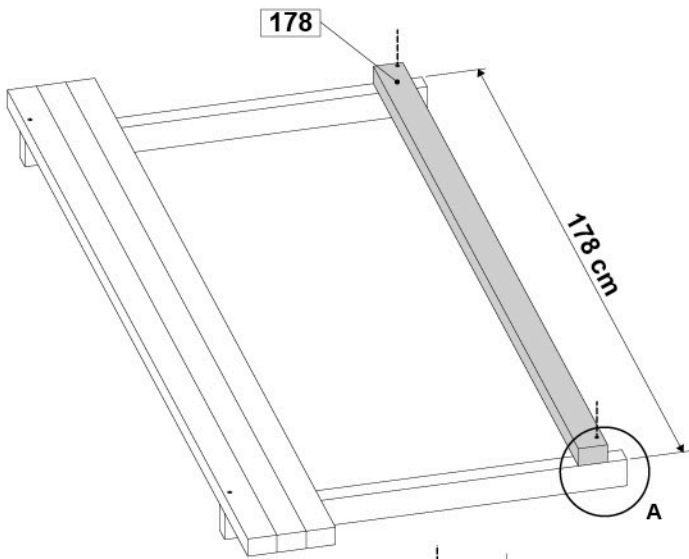
4x 80 mm



11.2c

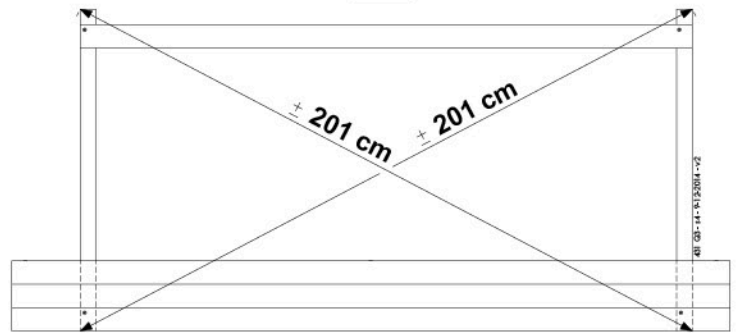
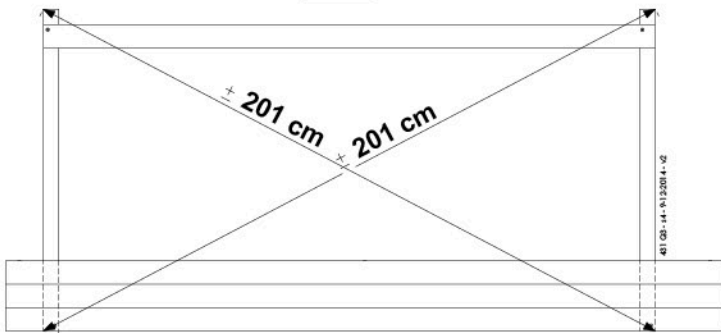


4x 80 mm

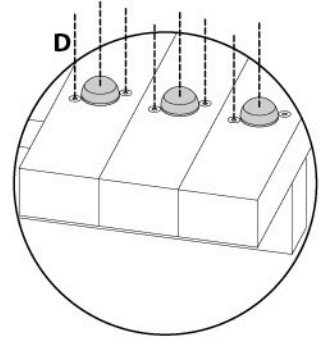
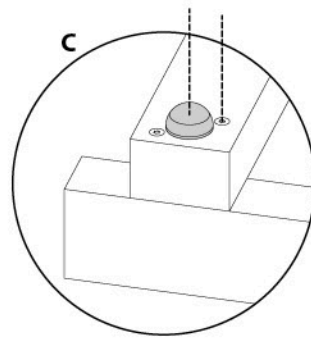
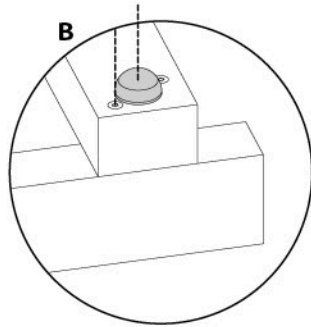
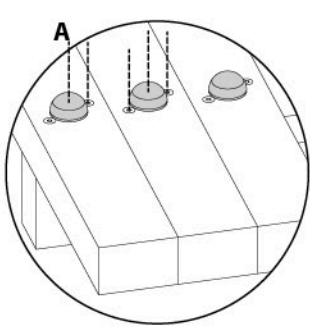
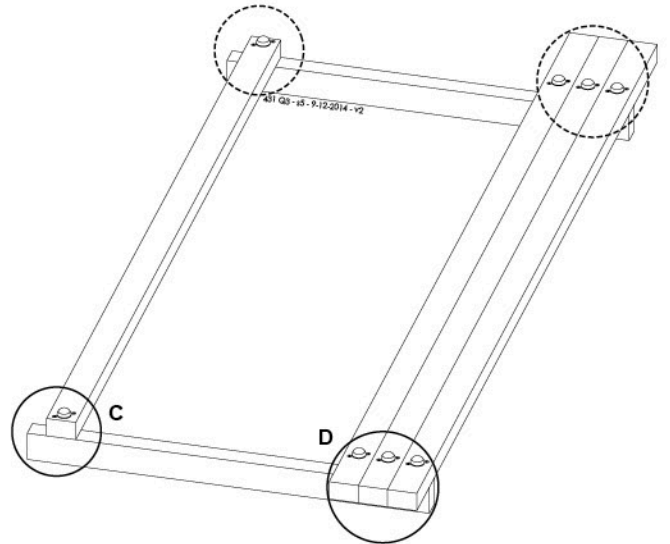
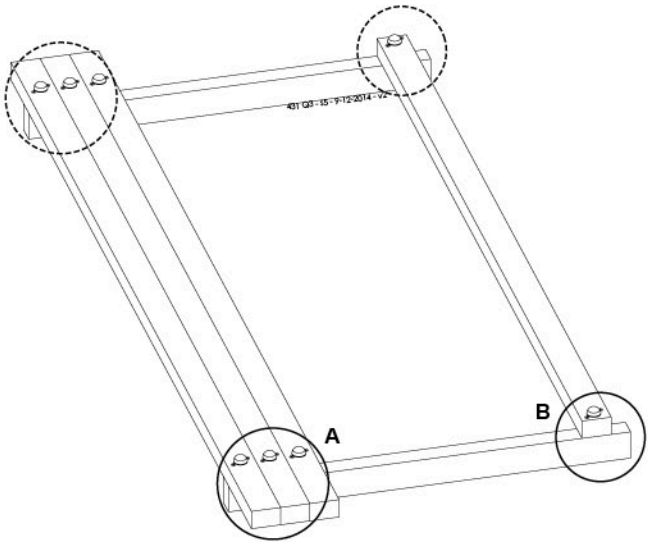
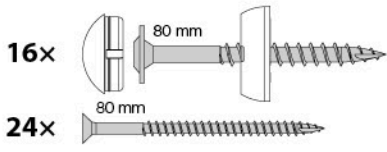


a = a
b = b

11.2d



11.2e

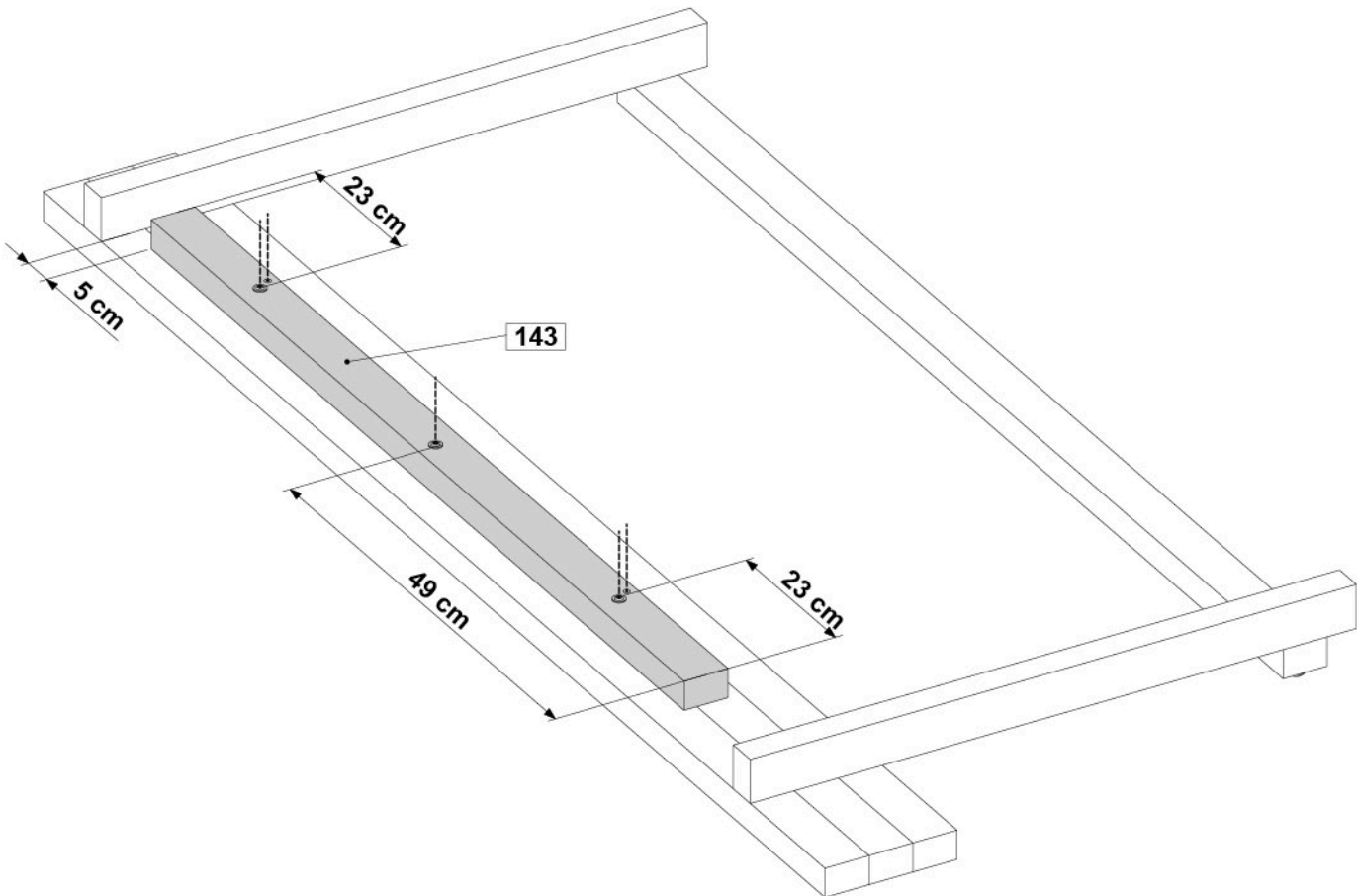
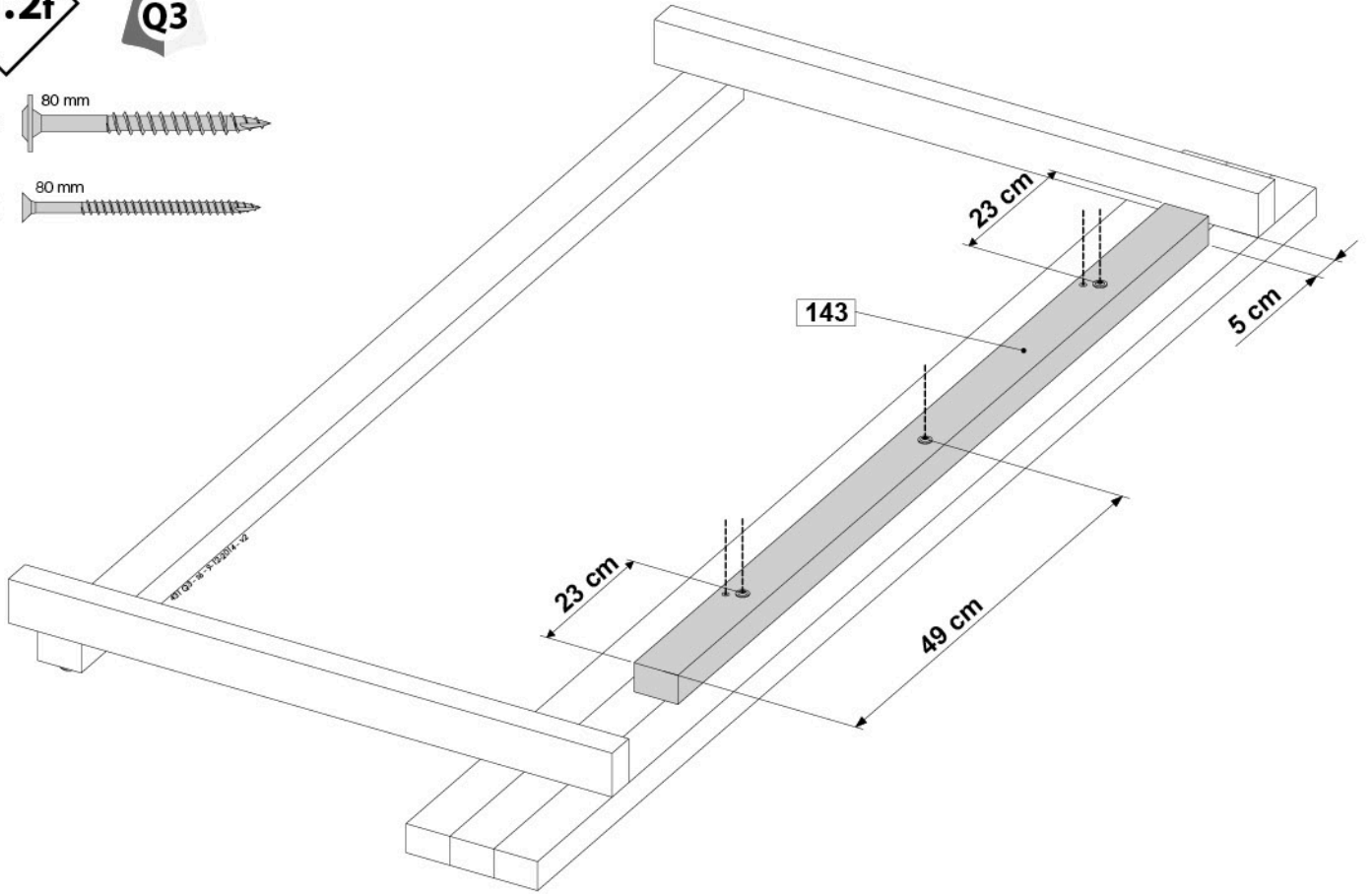


11.2f



6x 80 mm

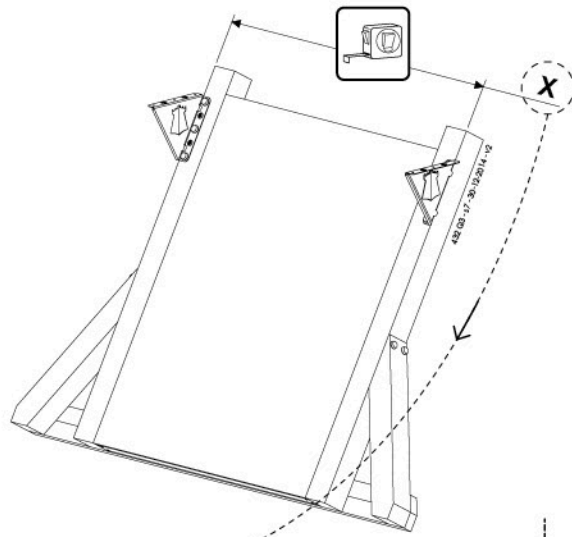
4x 80 mm



11.2g

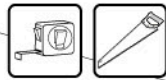


6x

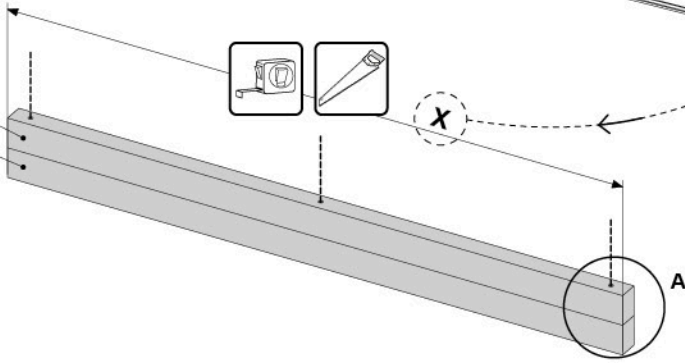


144

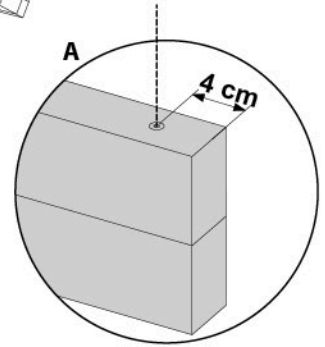
144



X



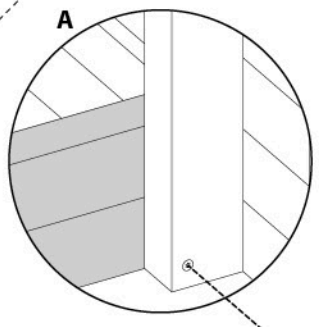
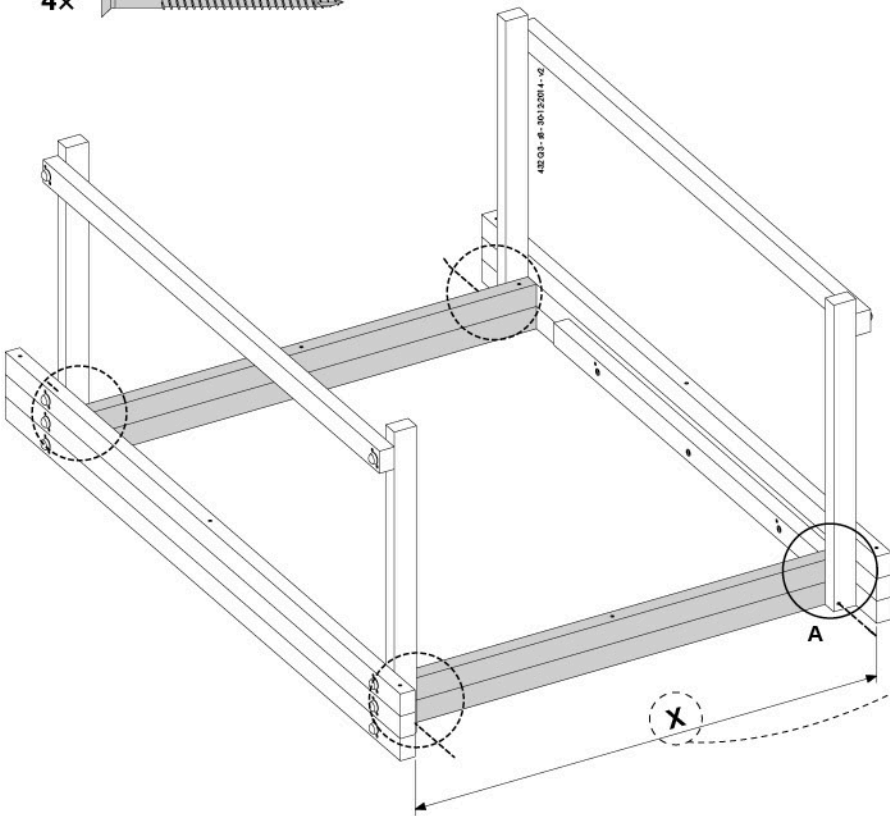
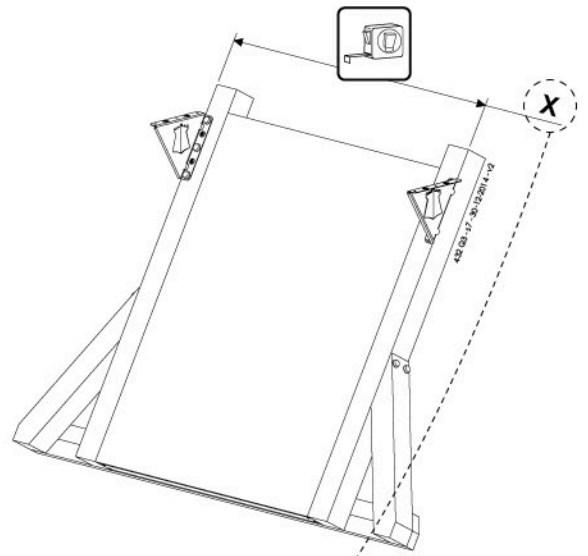
2x



11.2h



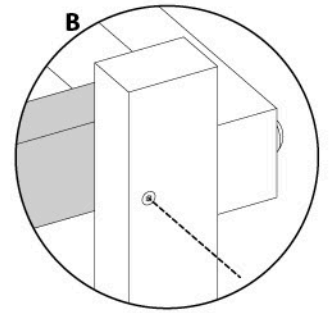
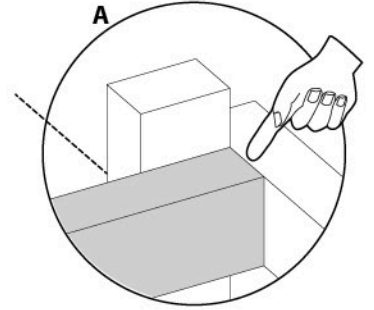
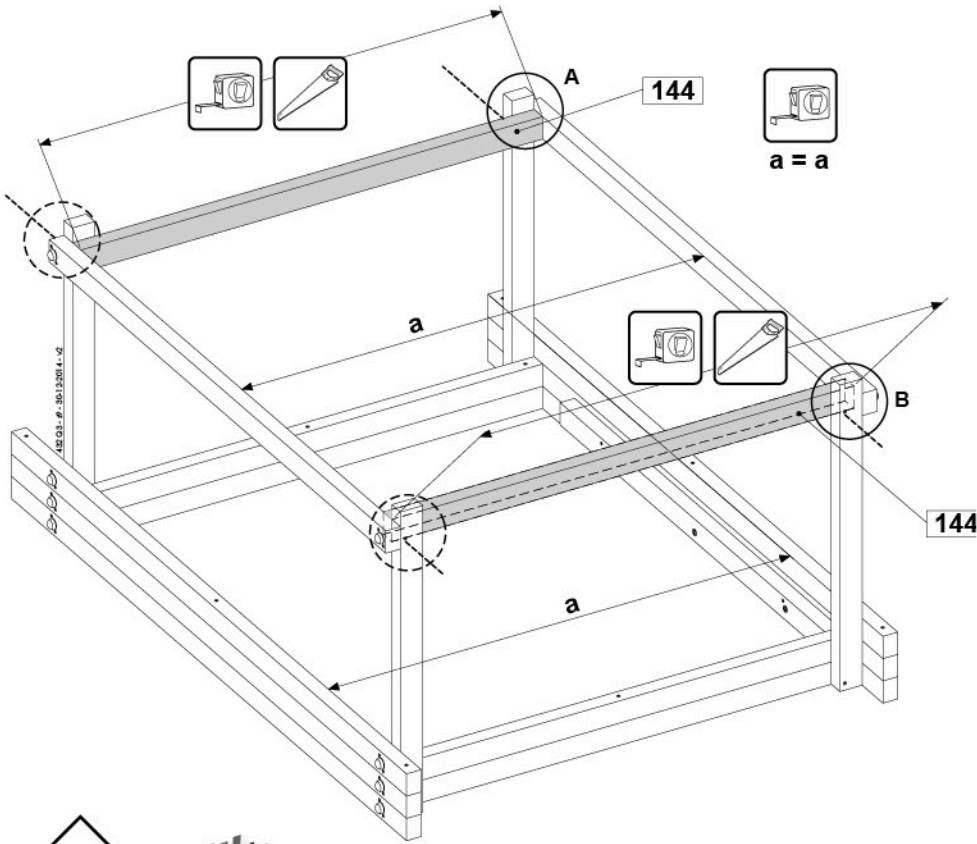
4x



11.2i



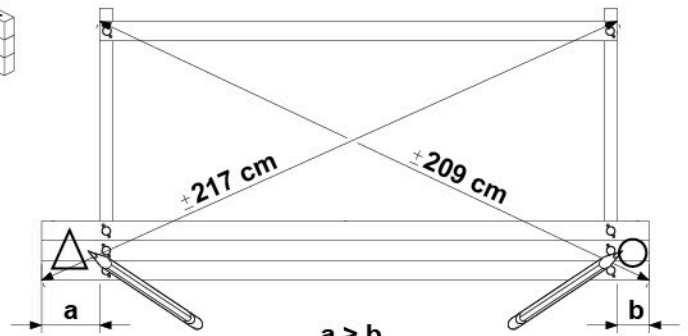
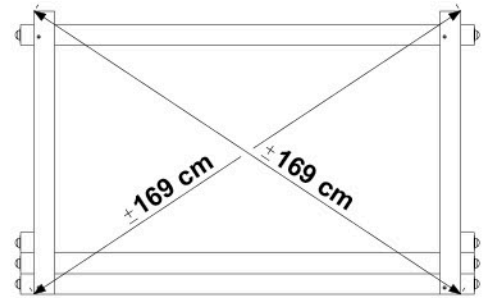
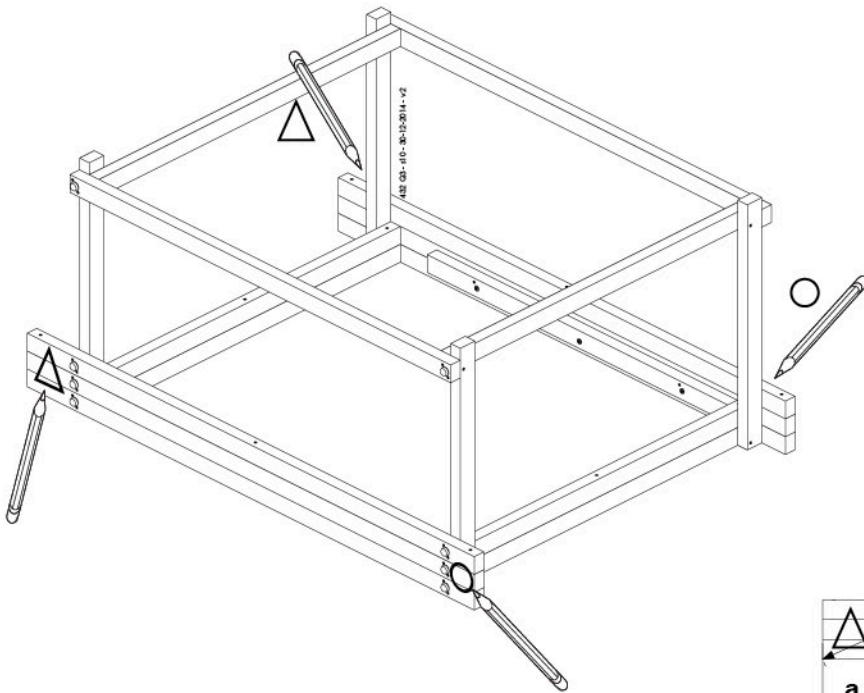
4x 80 mm



$a = a$

144

11.2j



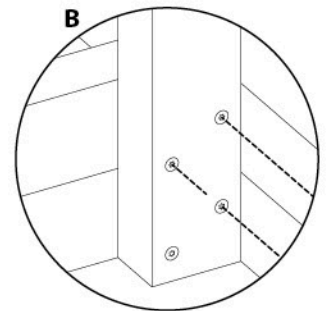
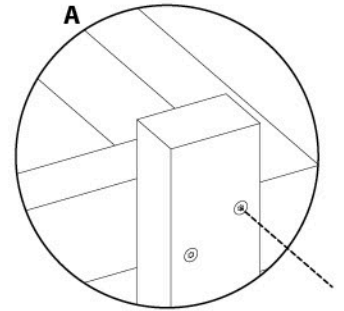
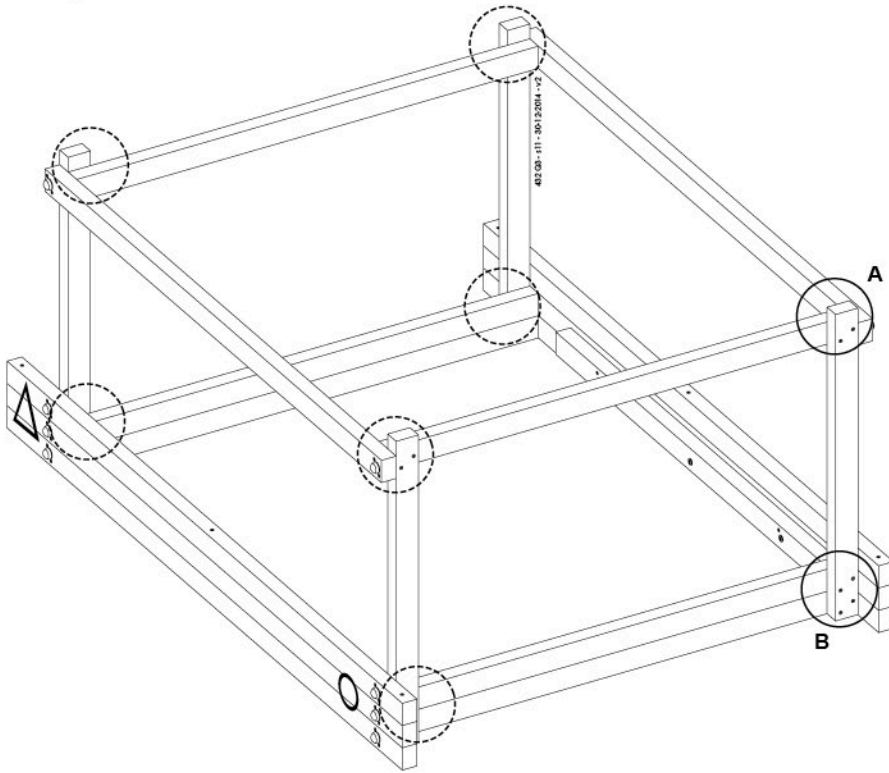
$a > b$



11.2k



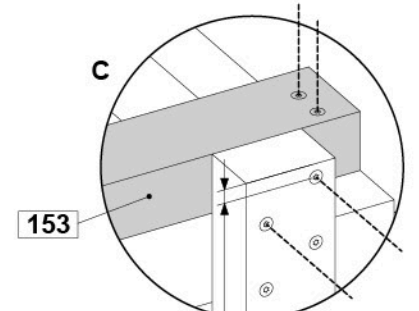
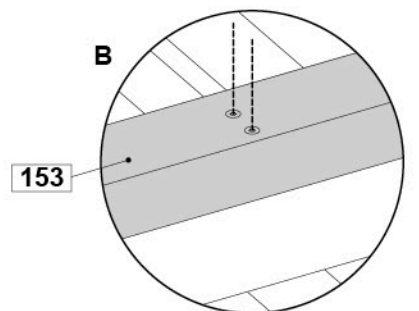
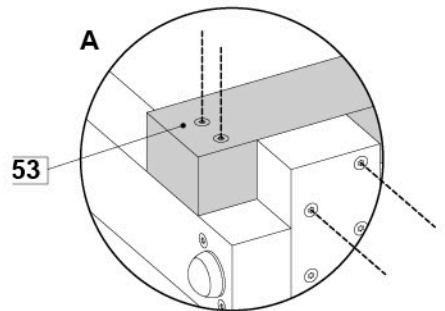
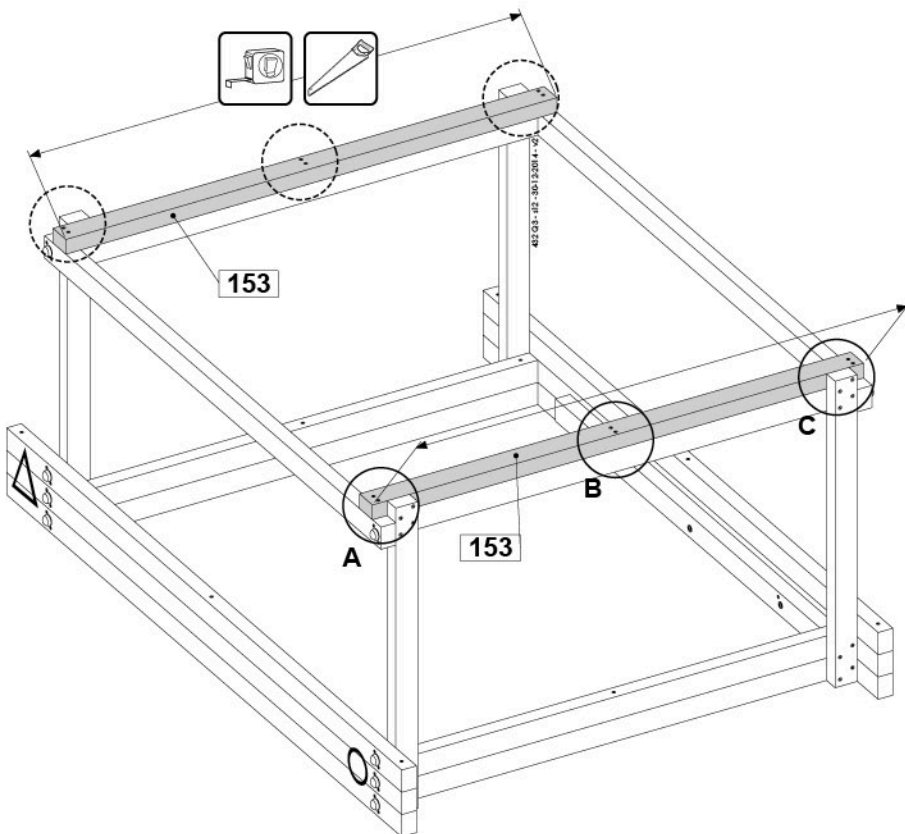
16x 80 mm



11.2L



20x 80 mm

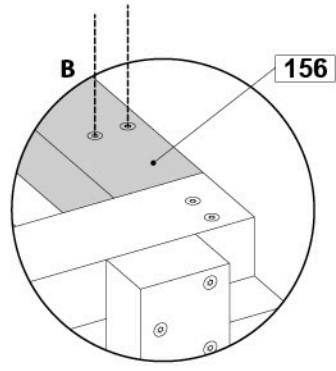
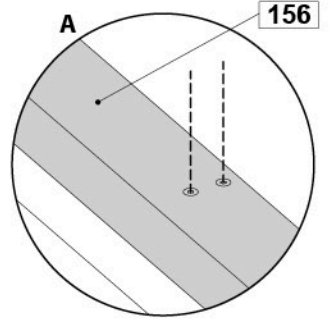
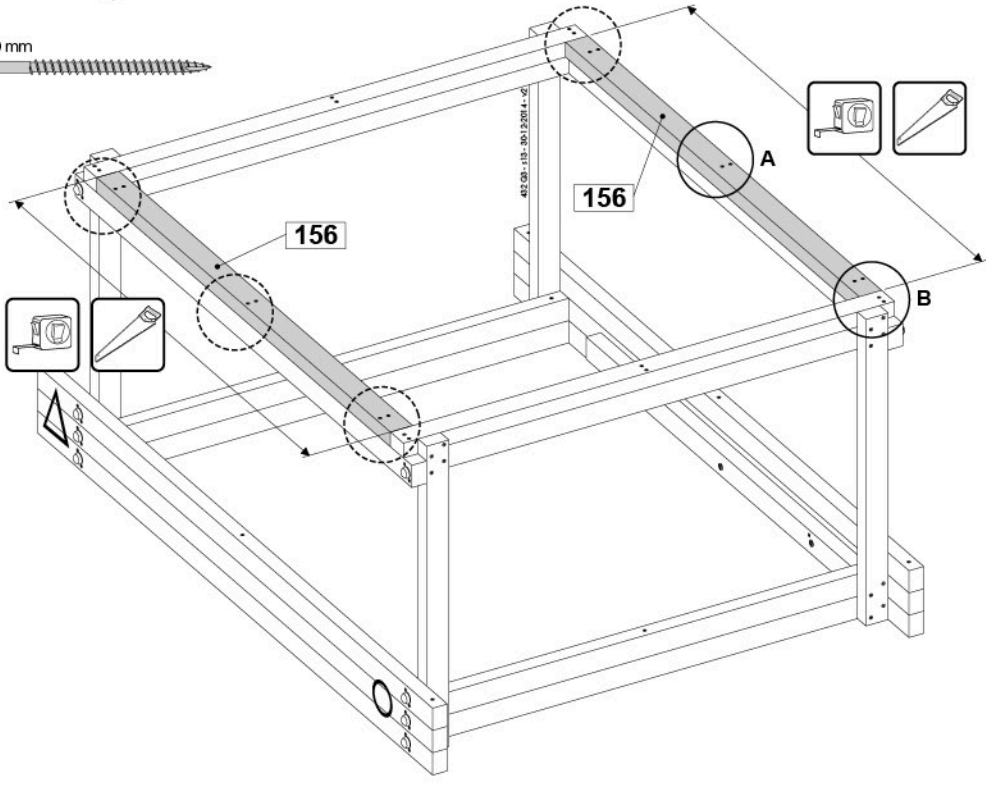


min. 1 cm

11.2m



12x 80 mm

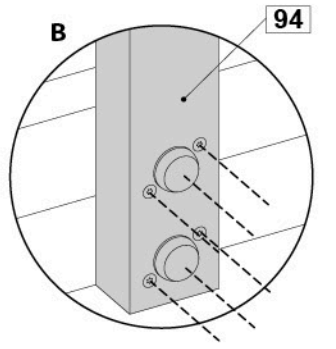
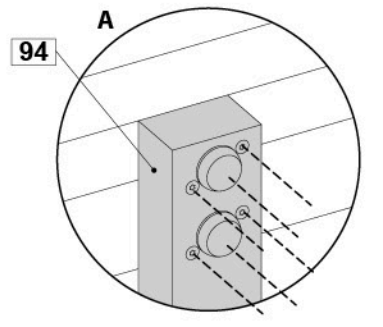
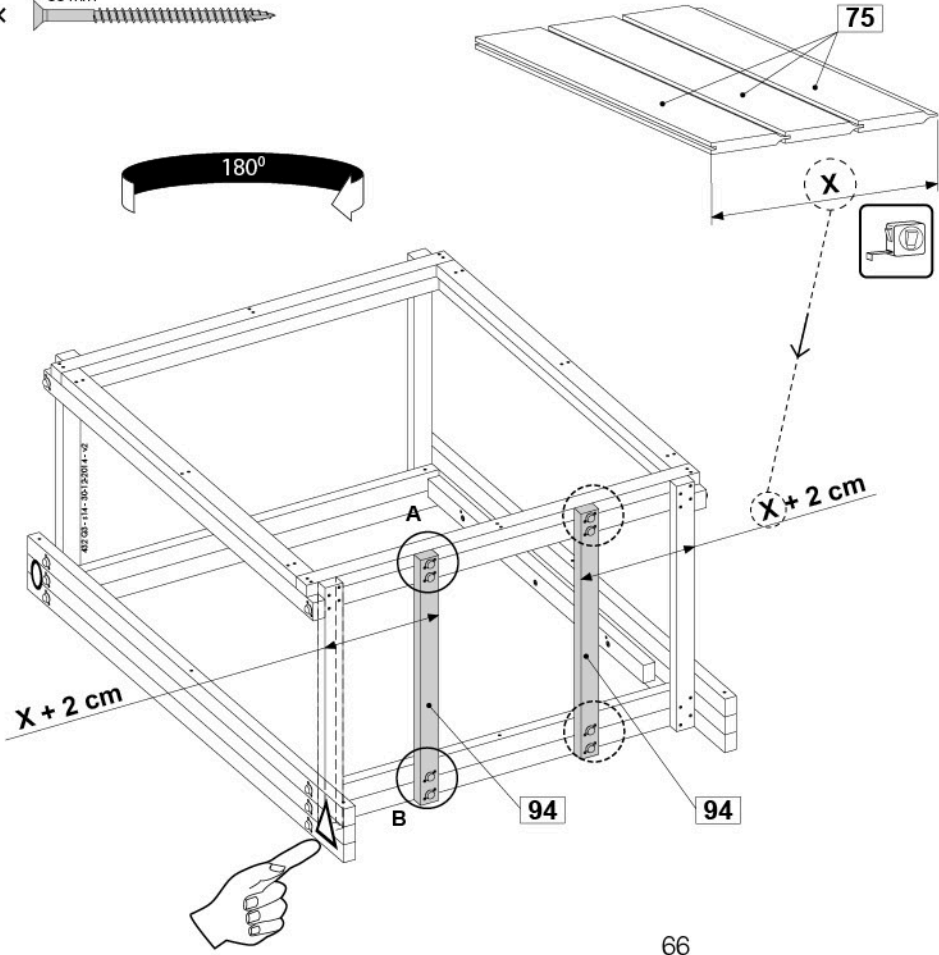


11.2n

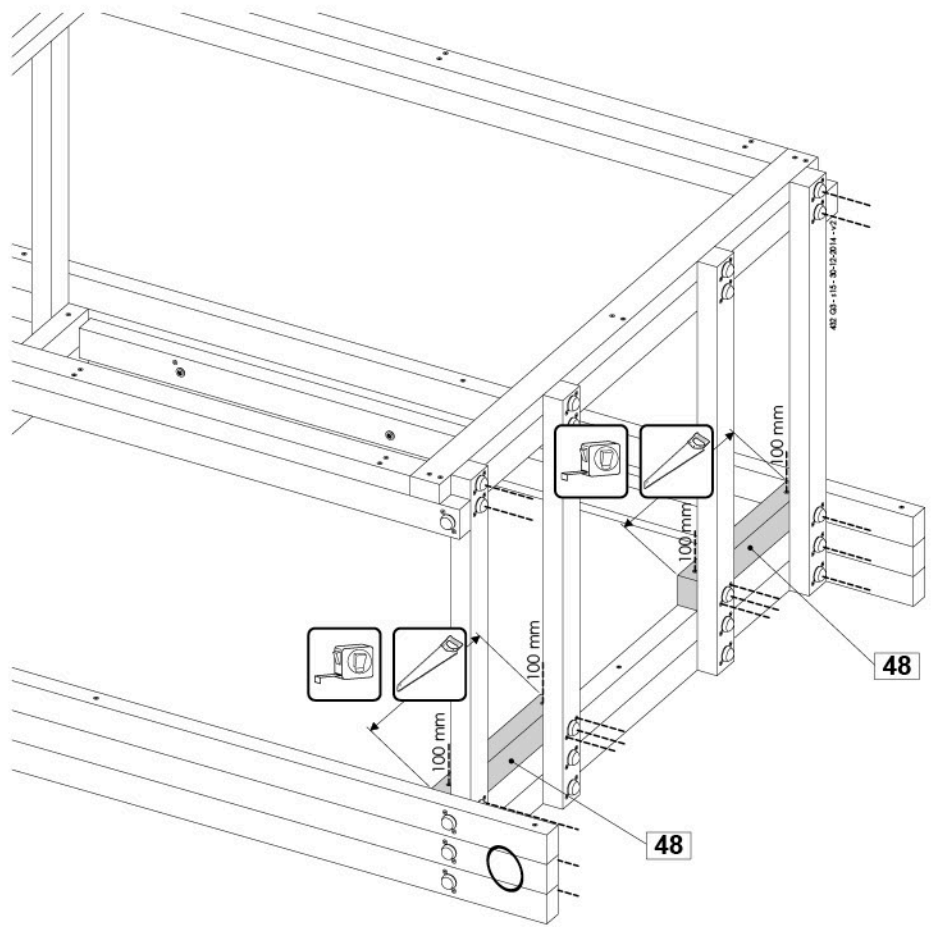
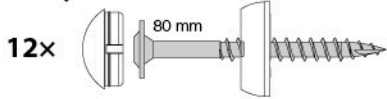


8x 80 mm

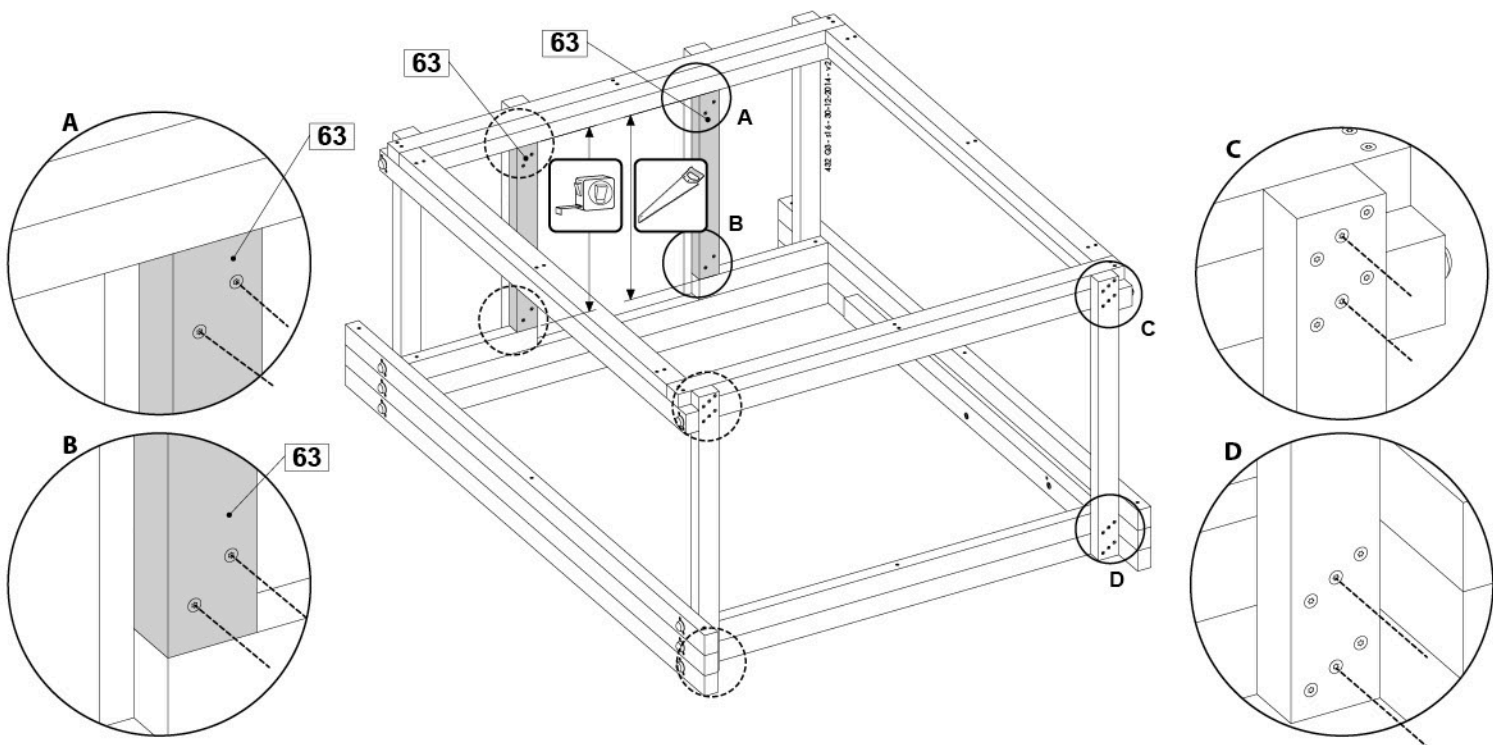
16x 80 mm



11.2o



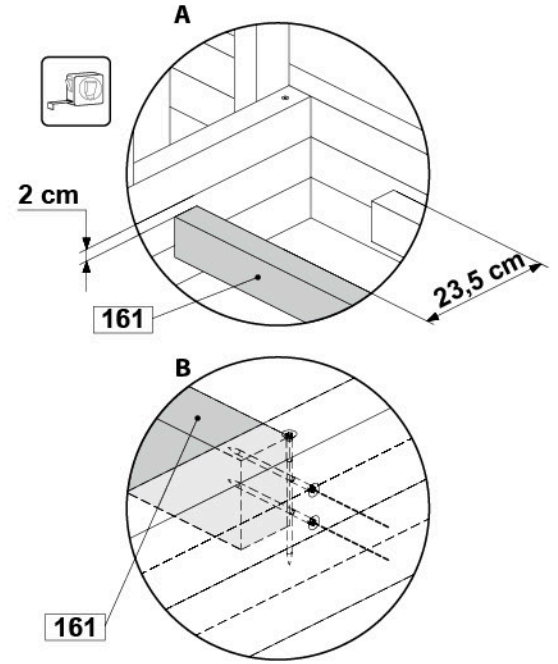
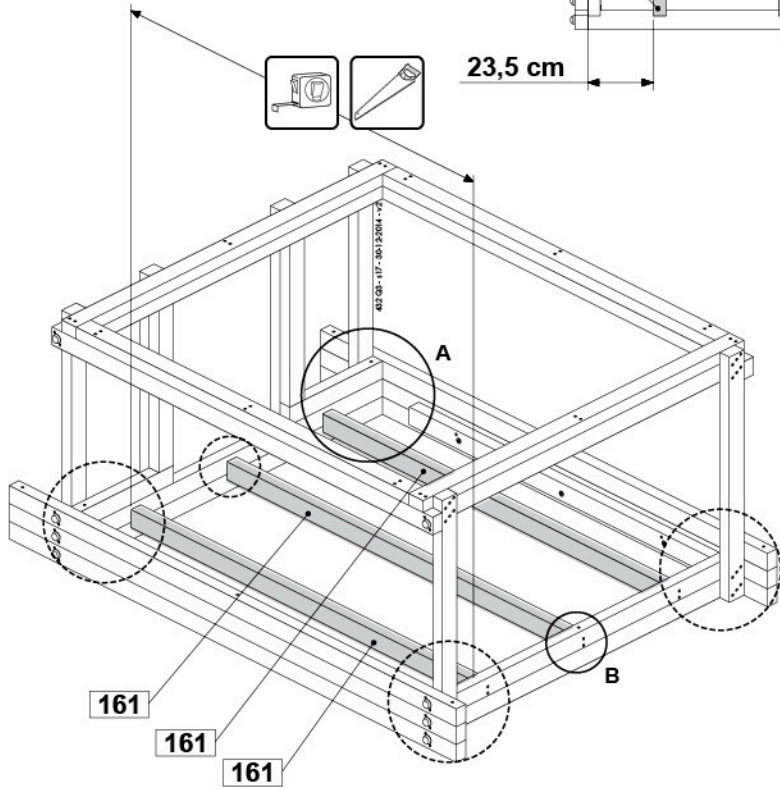
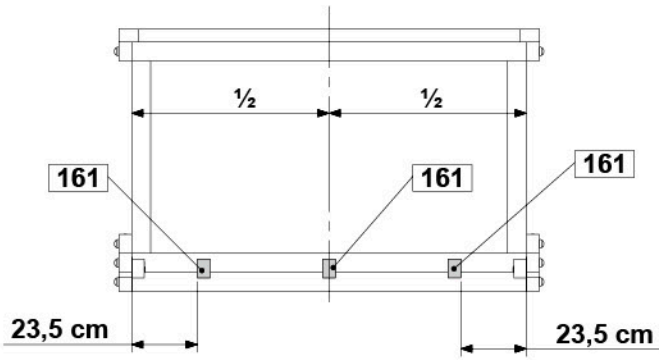
11.2p



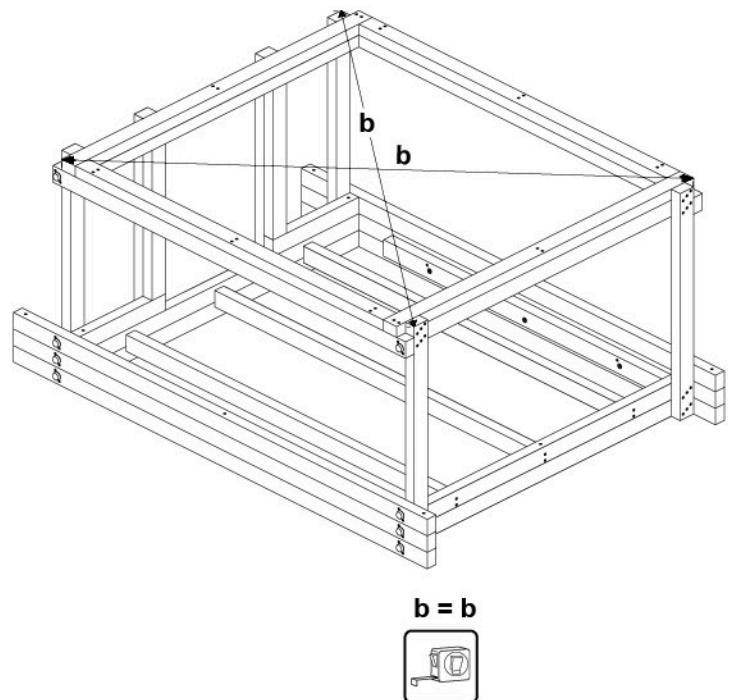
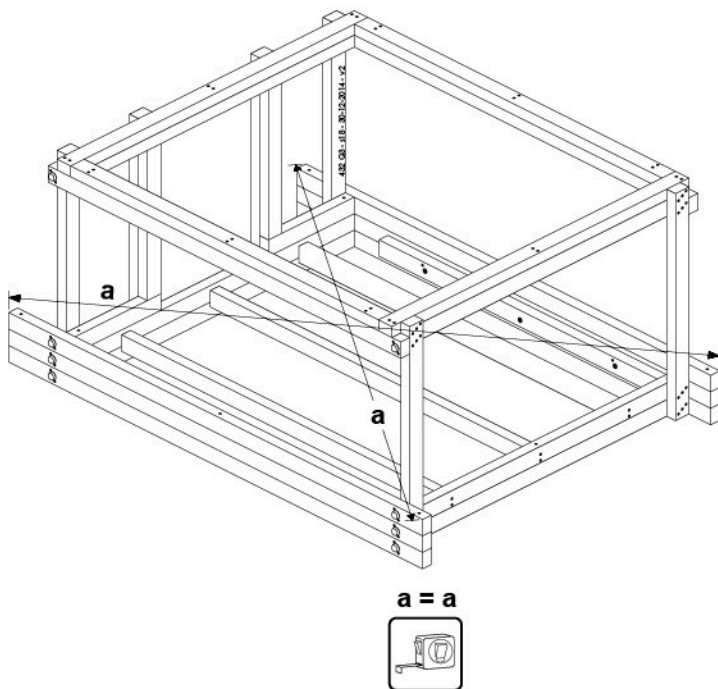
11.2q



12x 80 mm



11.2r



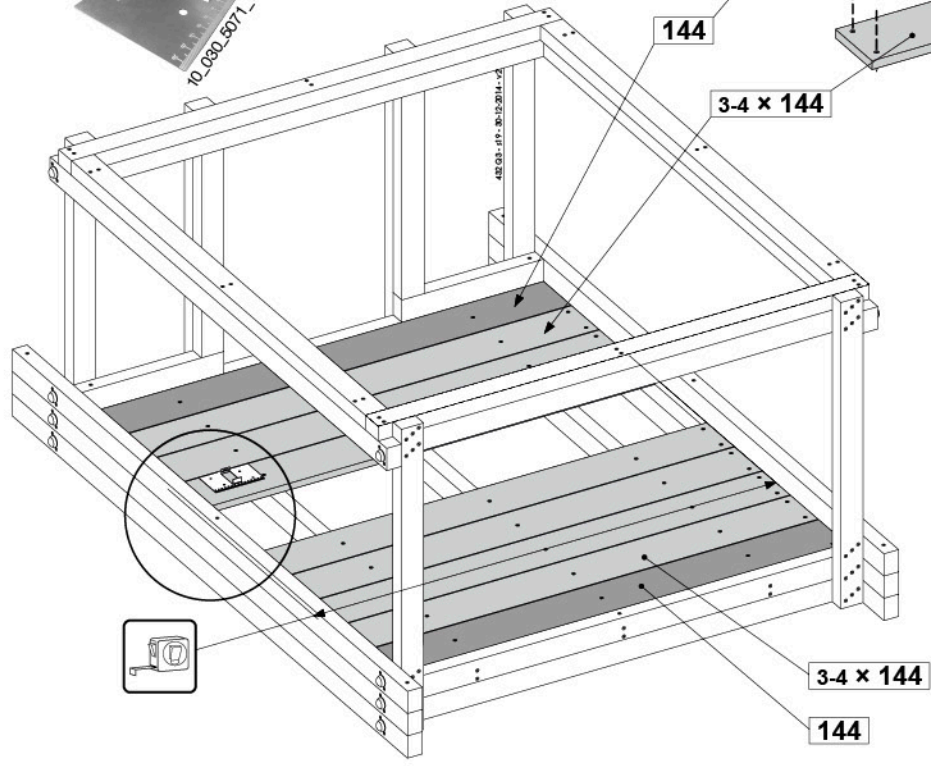
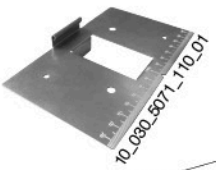
11.2s



48 - 62x 45 mm



2x

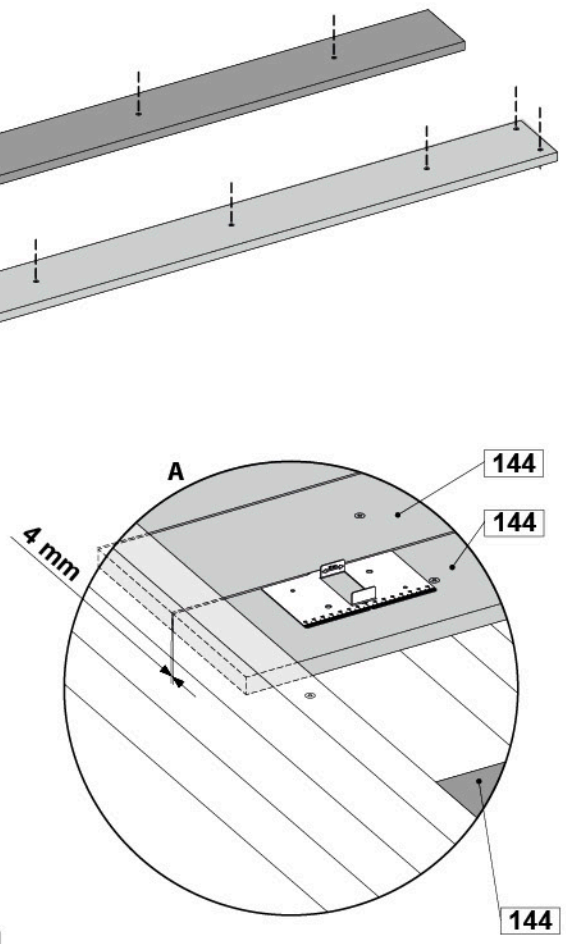


144

3-4 x 144

3-4 x 144

144



A

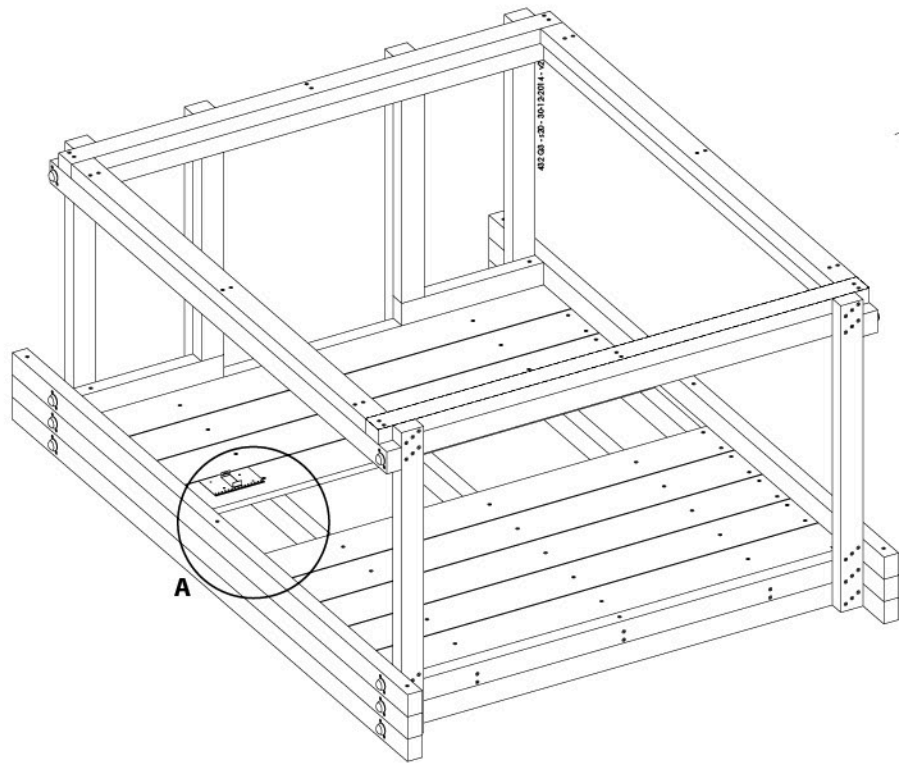
144

144

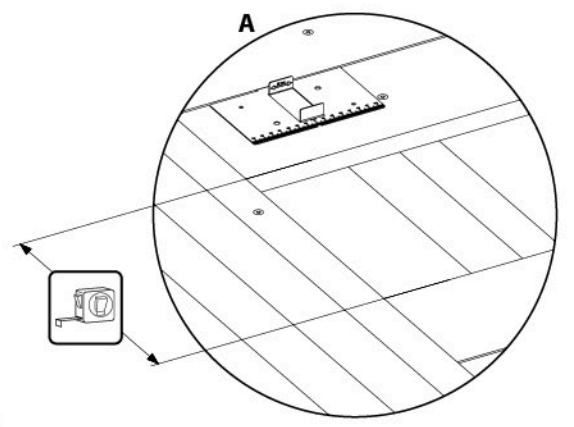
4 mm

144

11.2t



A



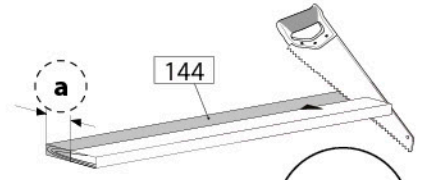
A



- 1,2 cm

2

= a



144

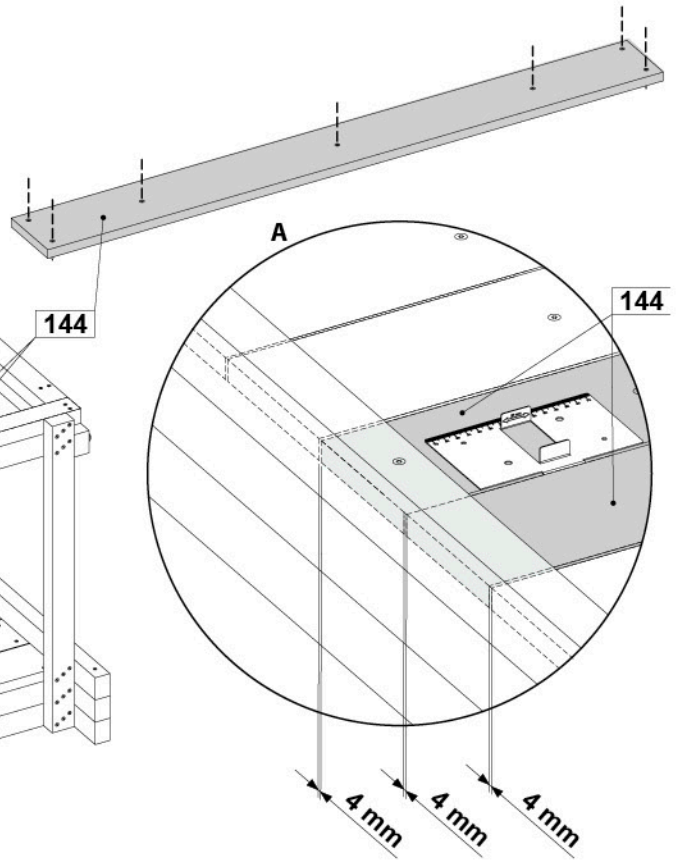
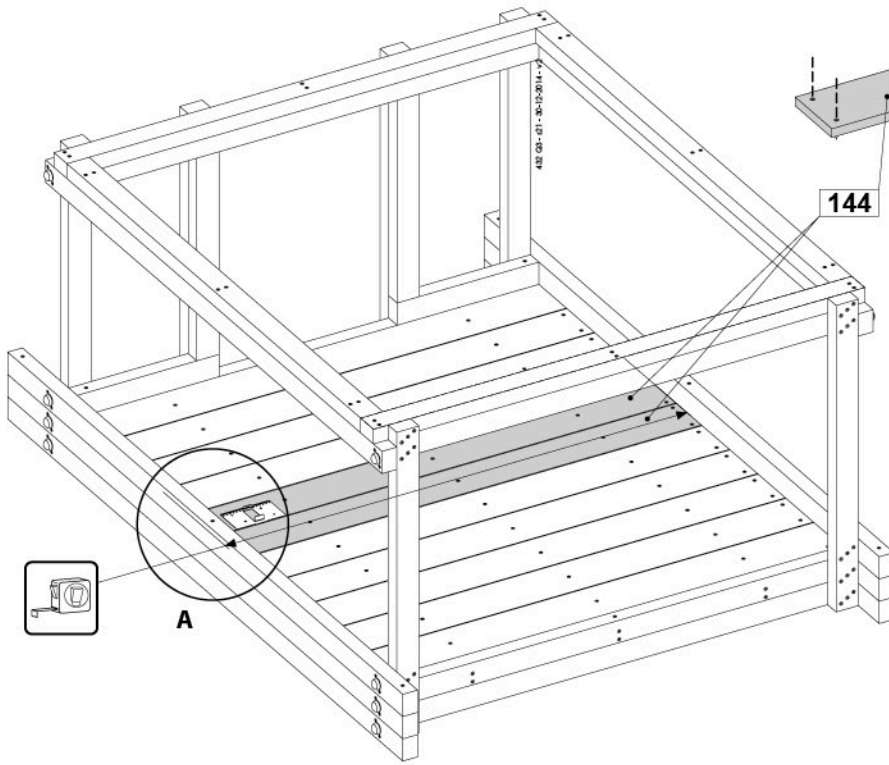
a

2x

11.2u



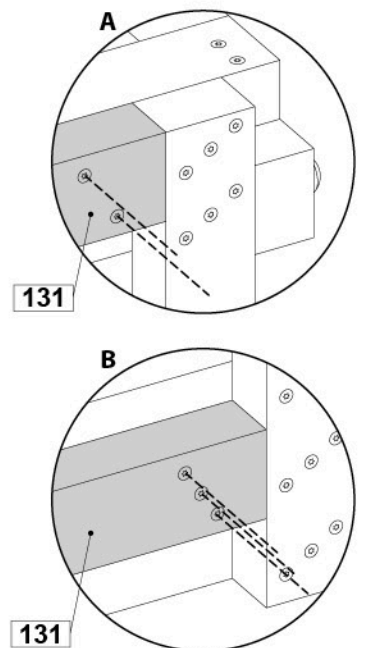
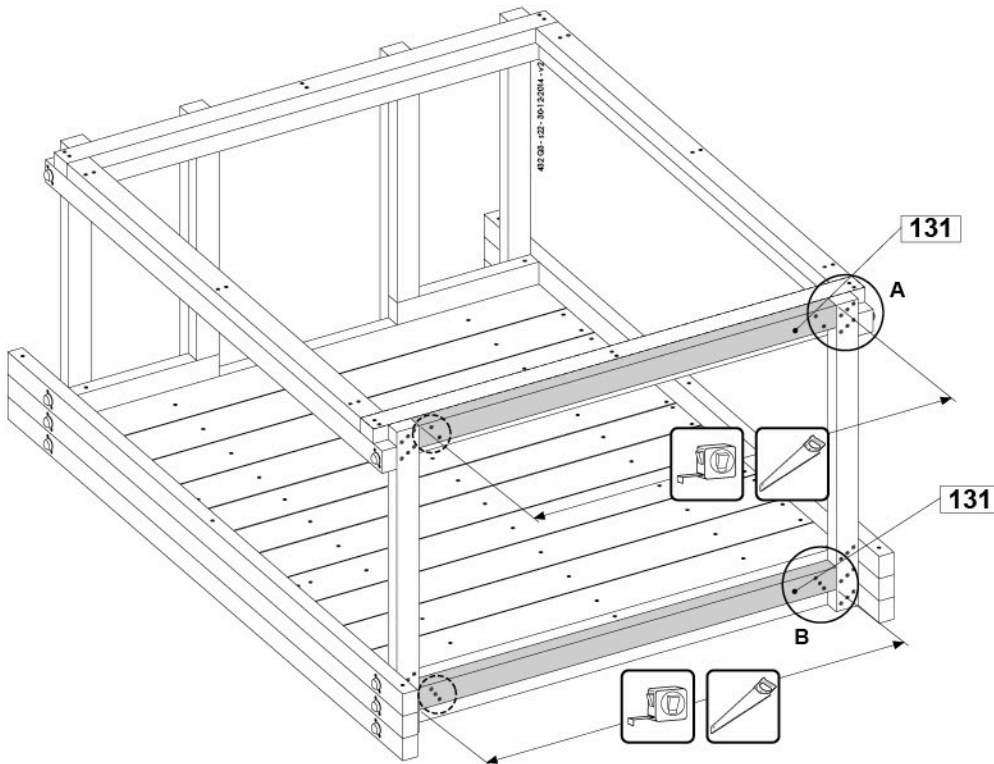
14x 45 mm



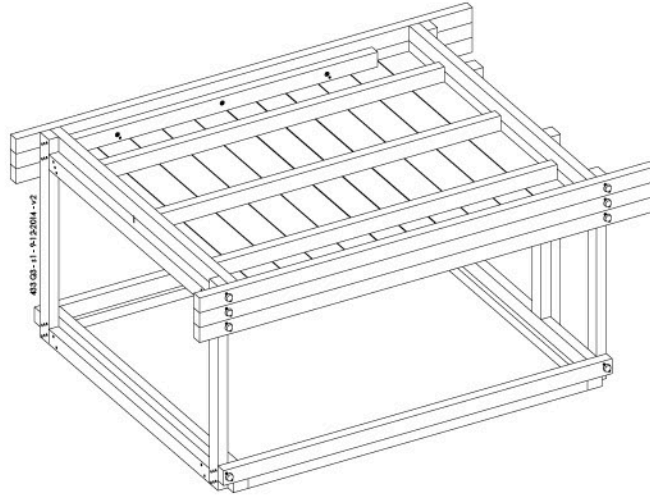
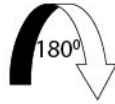
11.2v



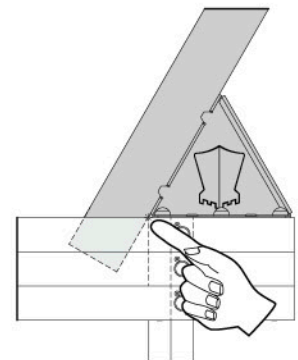
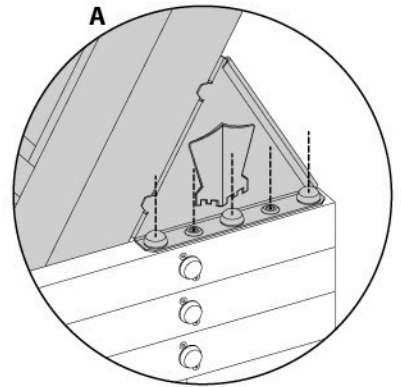
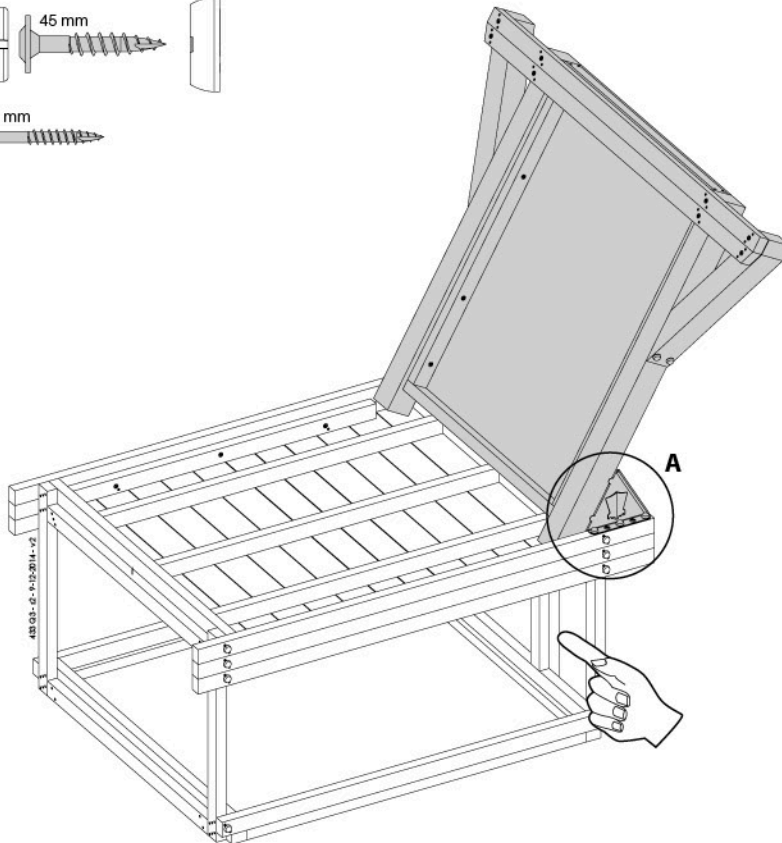
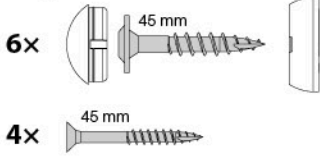
10x 80 mm



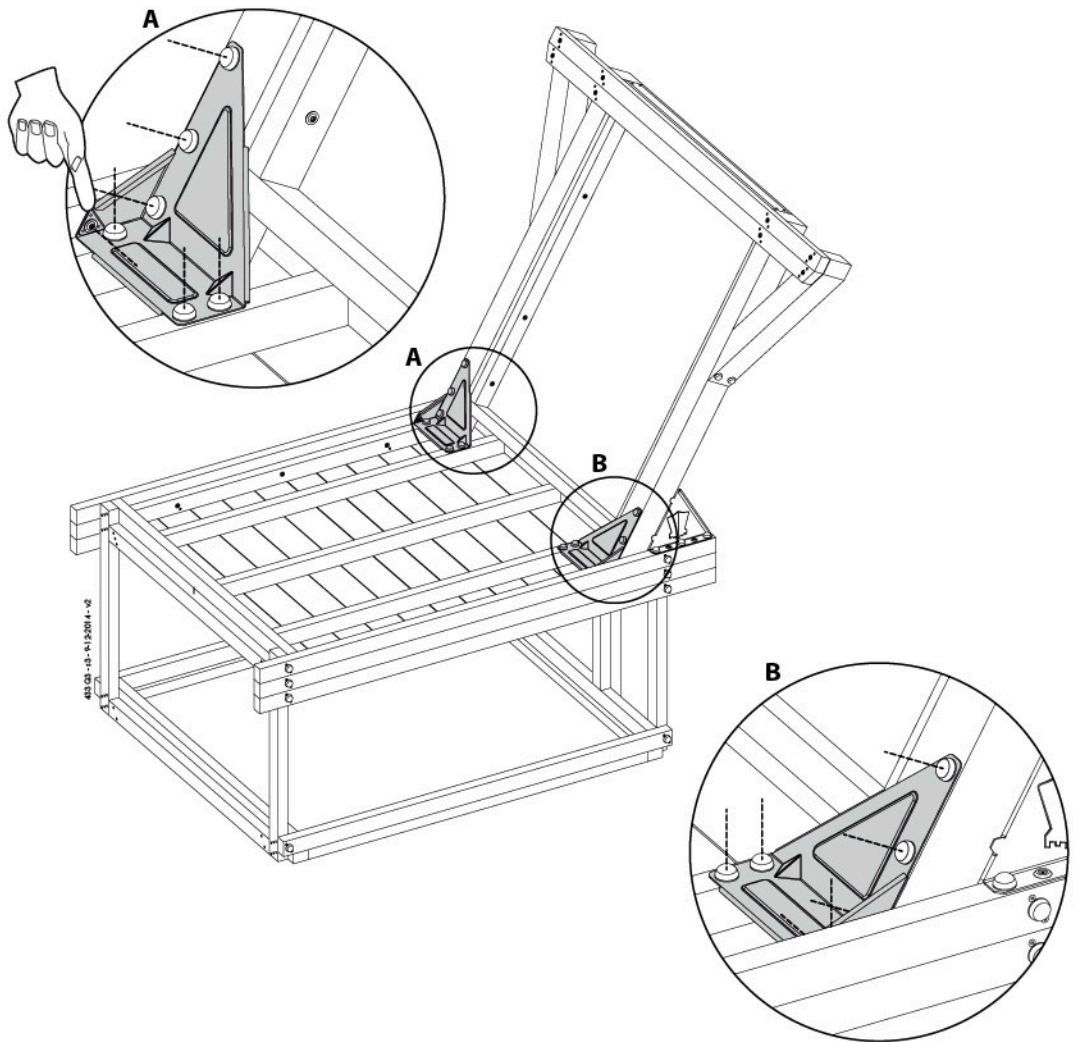
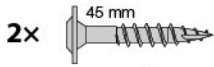
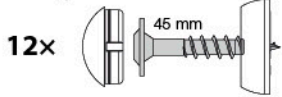
11.3a



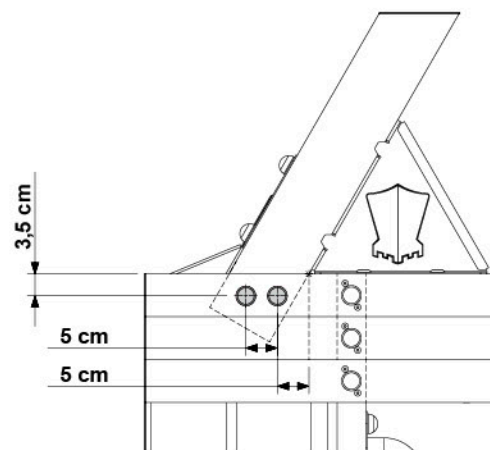
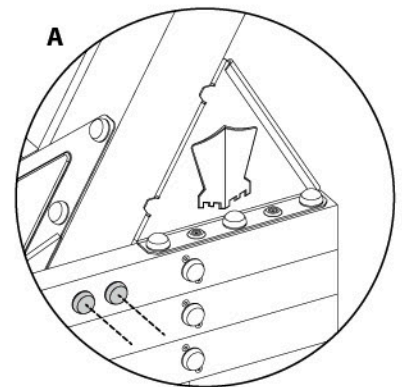
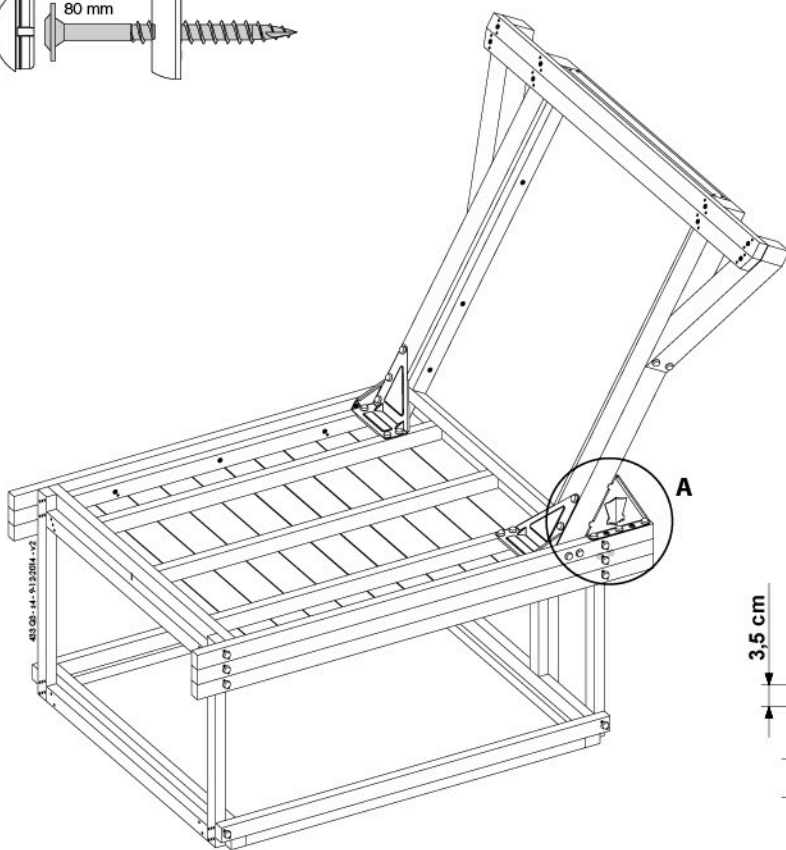
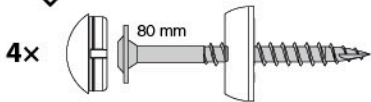
11.3b



11.3c



11.3d

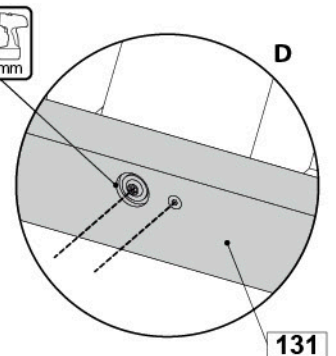
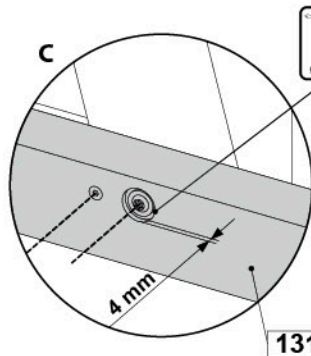
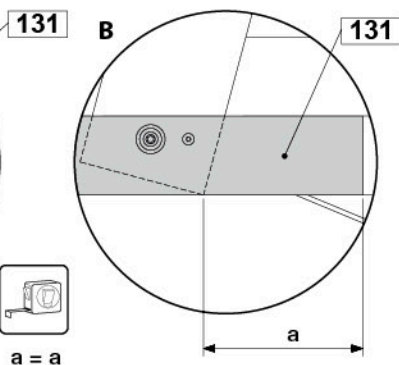
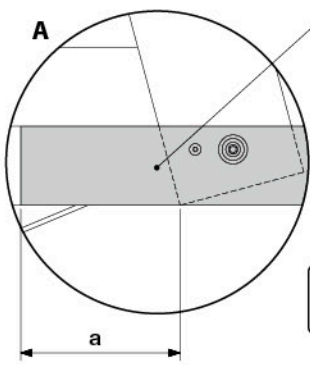
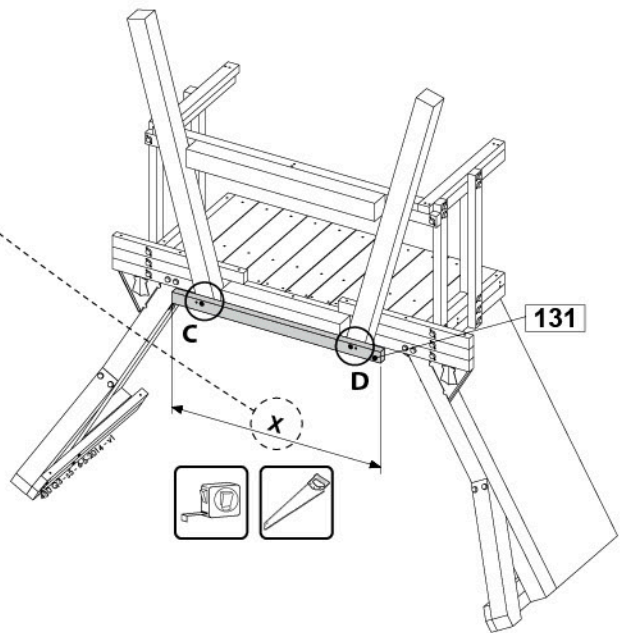
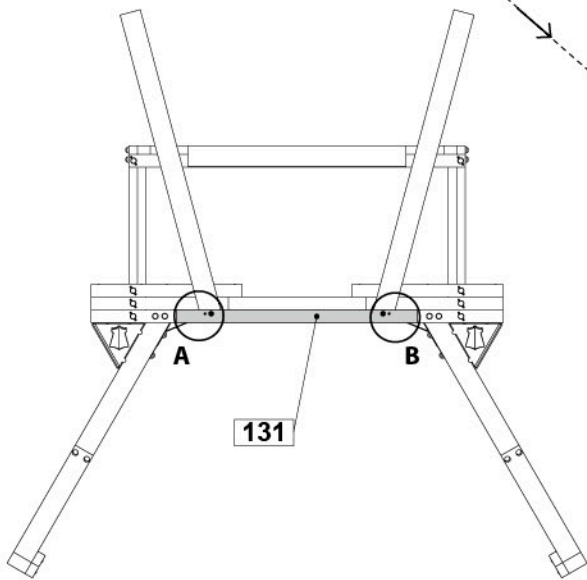
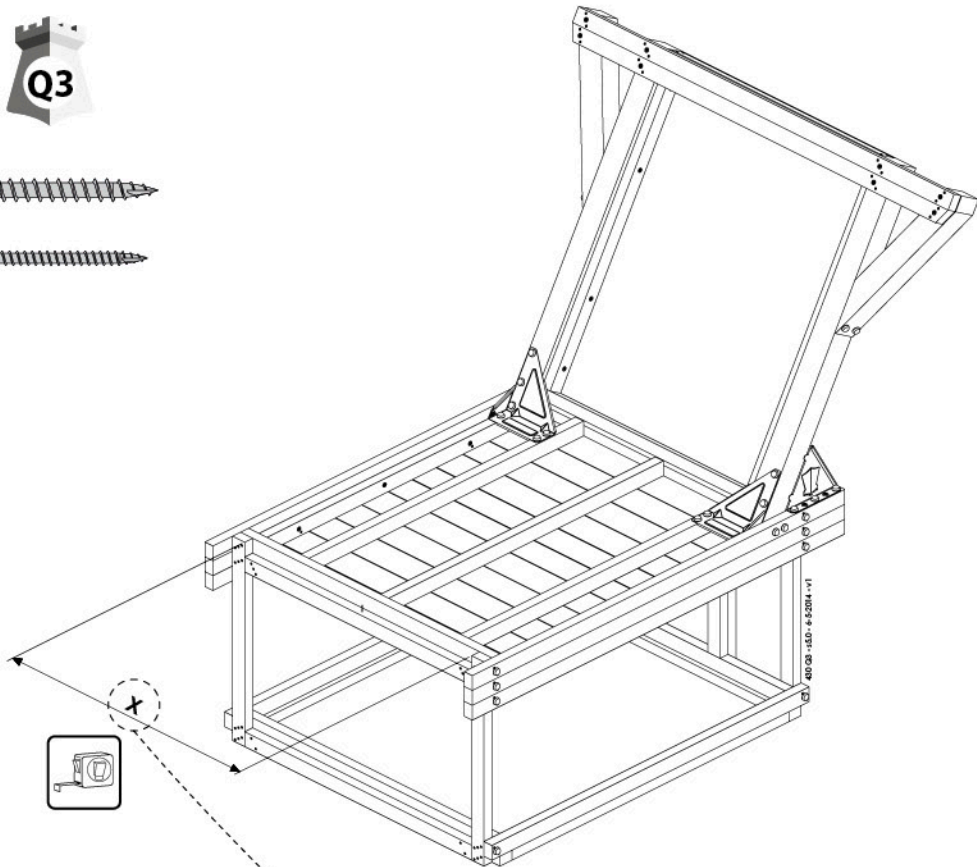


11.3e

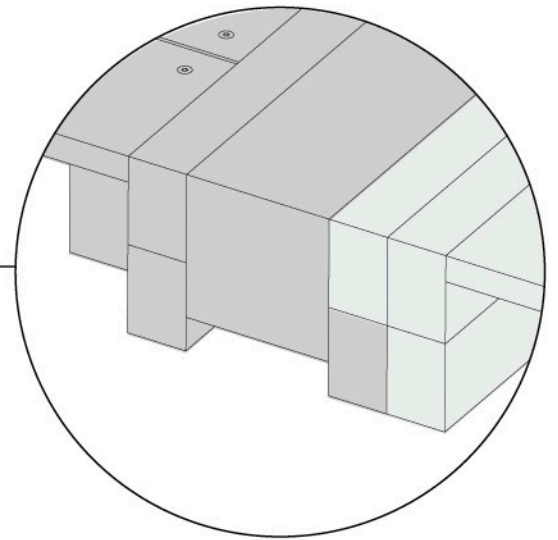
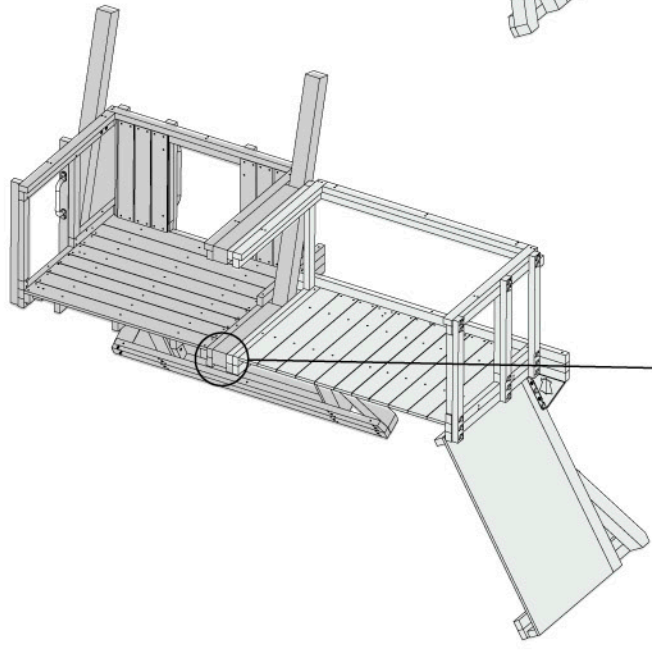
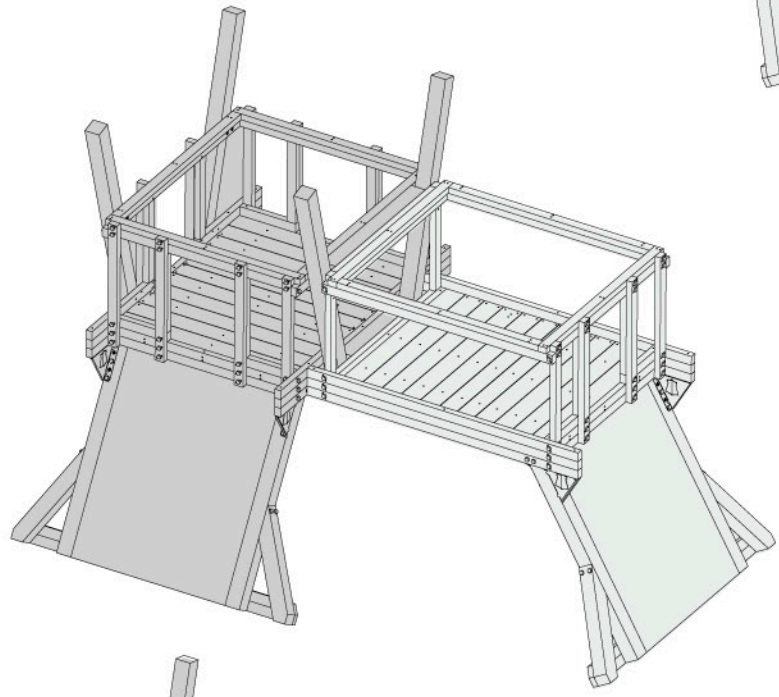
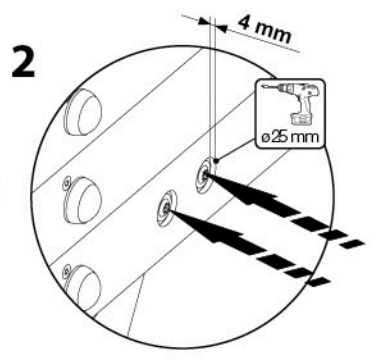
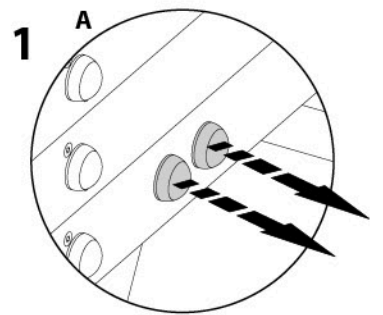
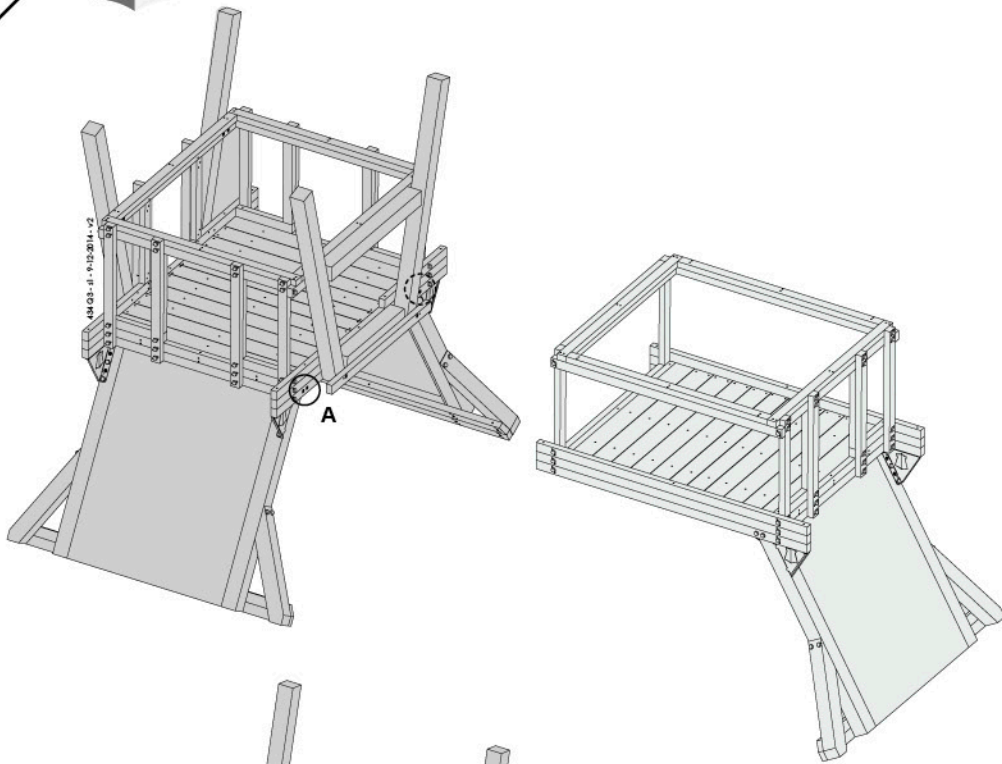


2x 80 mm

2x 80 mm



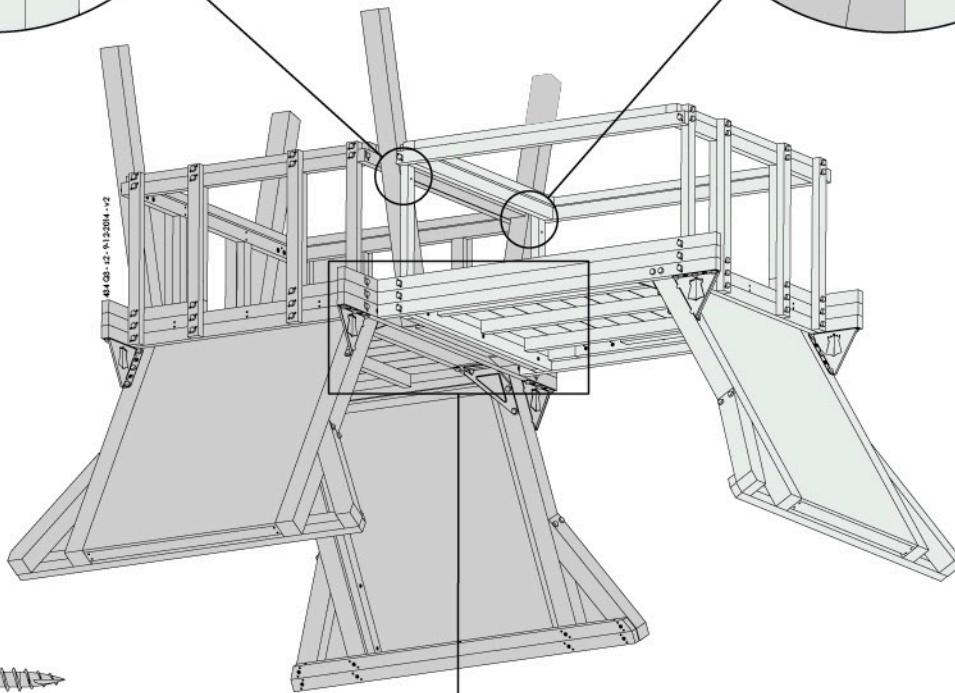
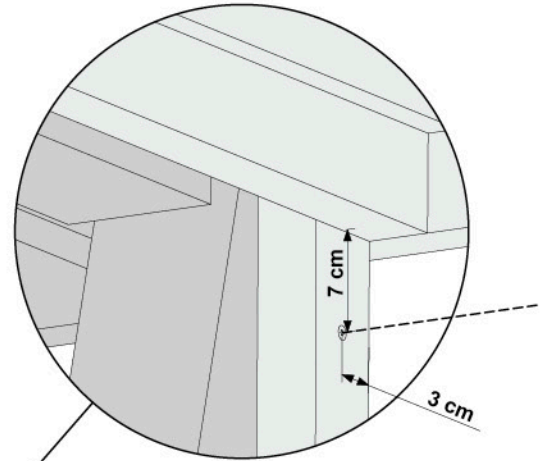
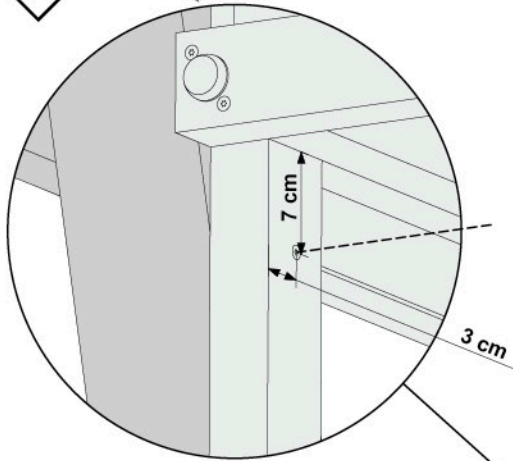
11.4a



11.4b

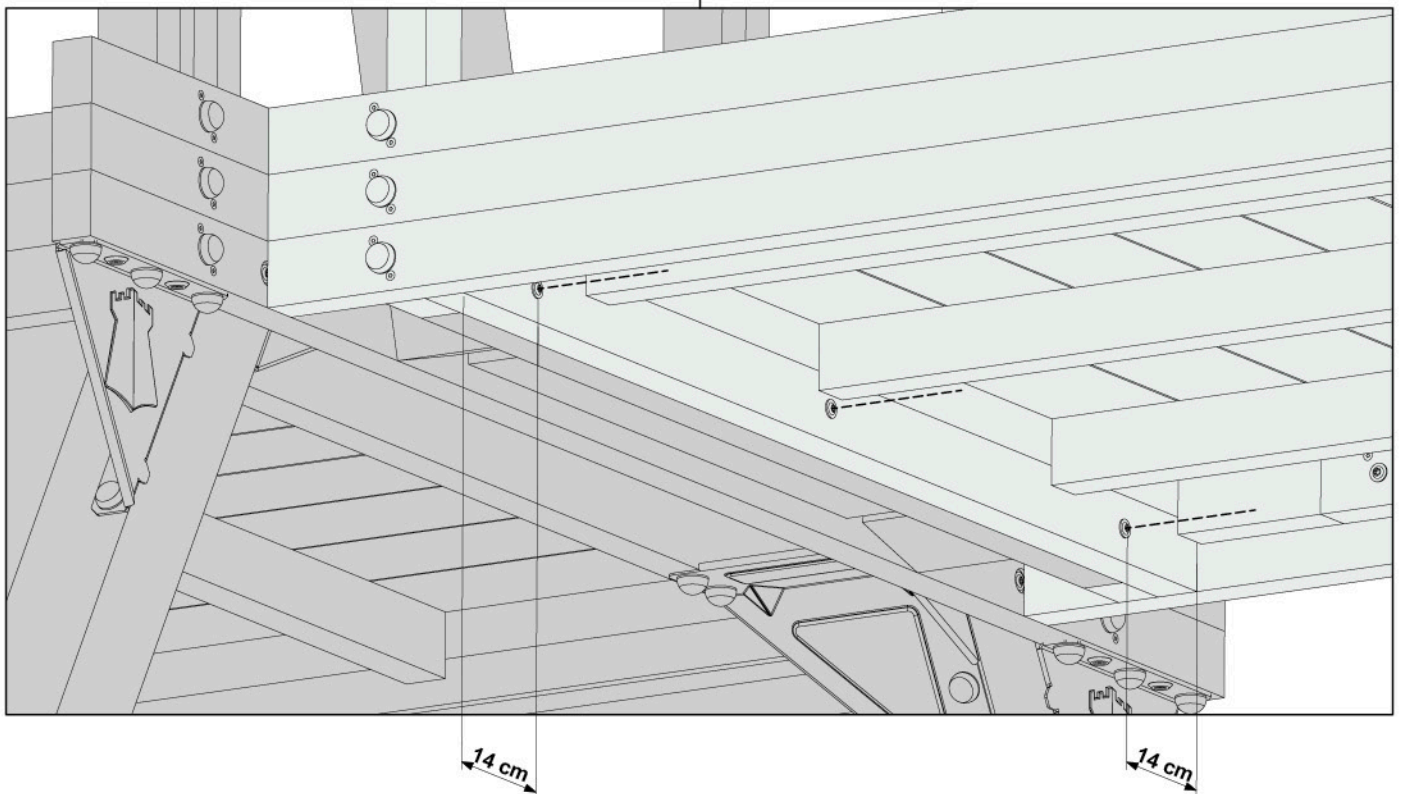
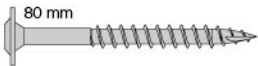


2x



11.4c

3x



11.4d



2x



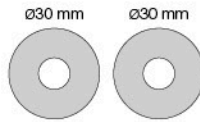
180 mm

ø30 mm

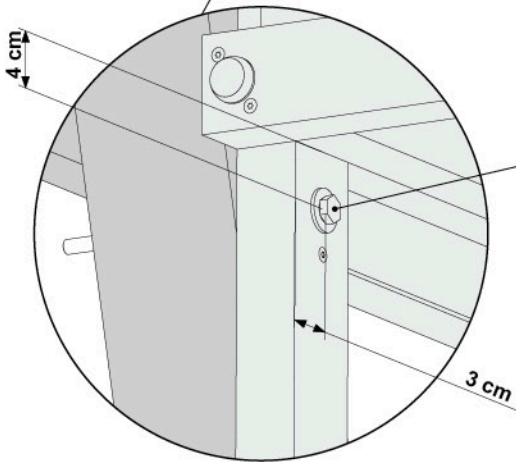
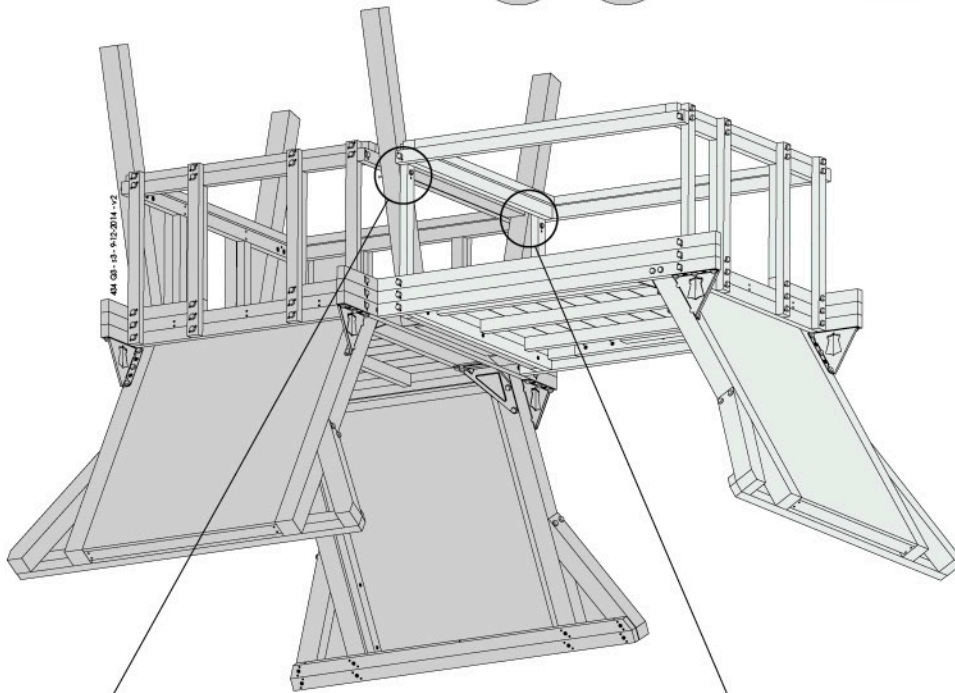
ø30 mm

M10

M10



ø11 mm

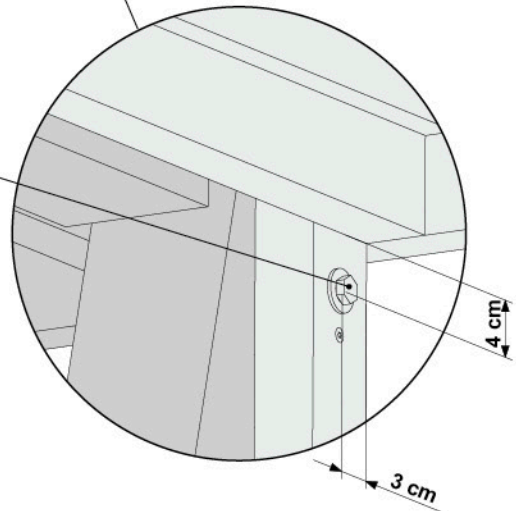


4 cm

3 cm



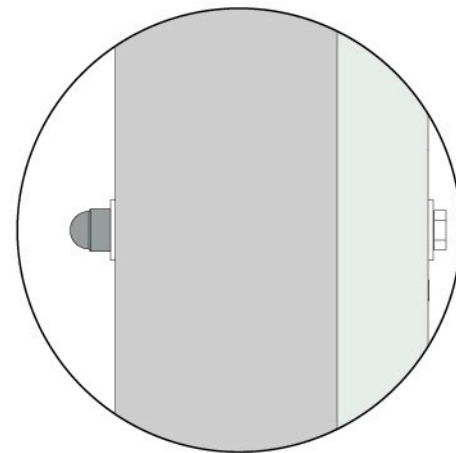
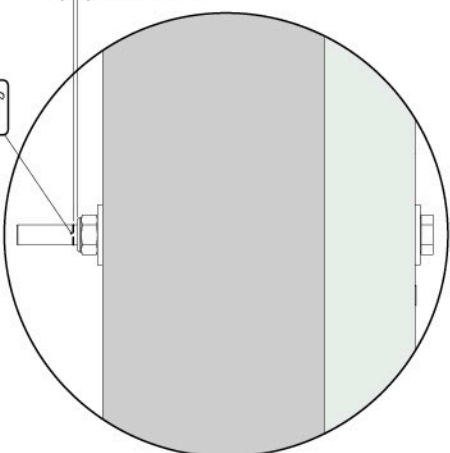
ø11 mm



4 cm

3 cm

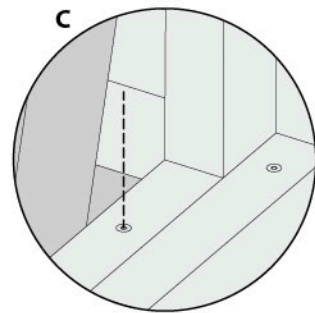
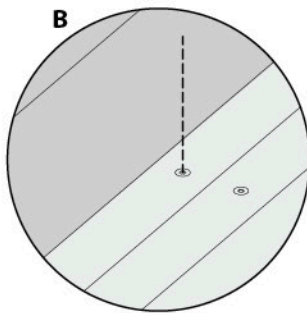
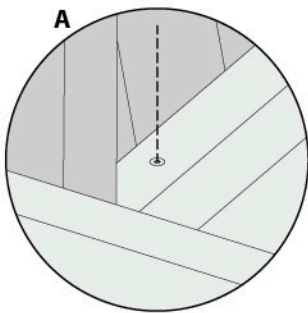
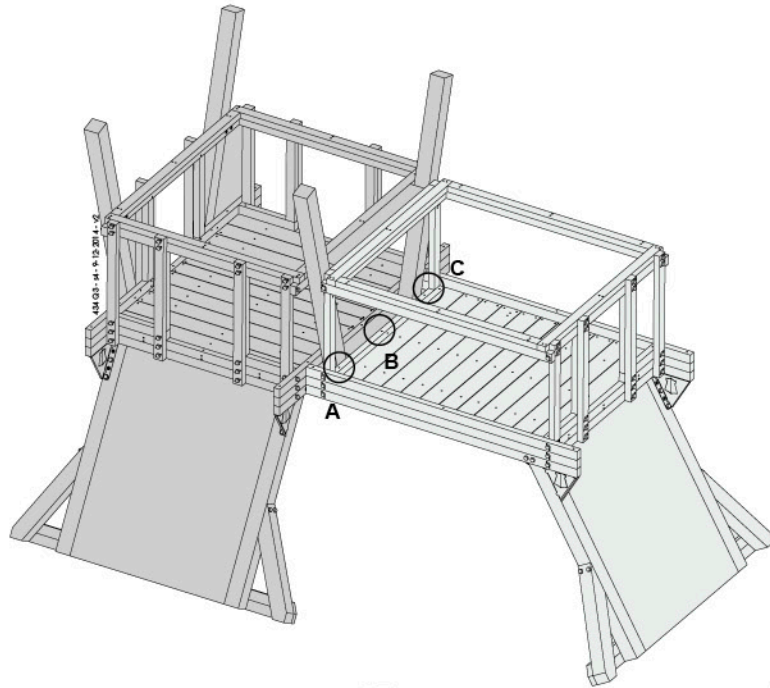
min. 0 mm
max. 4 mm



11.4e



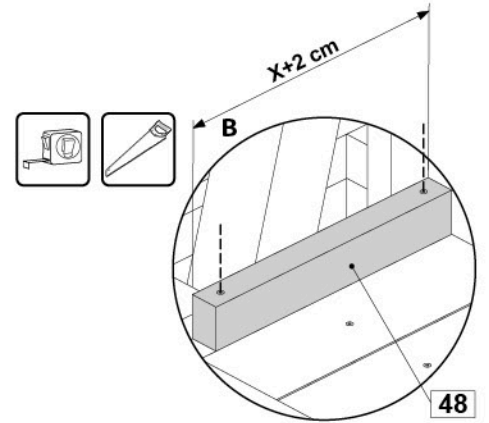
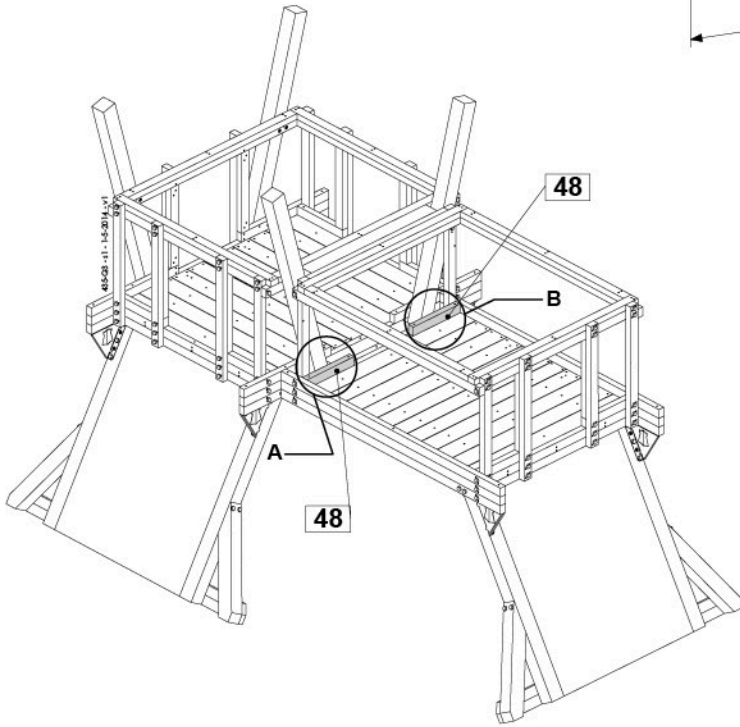
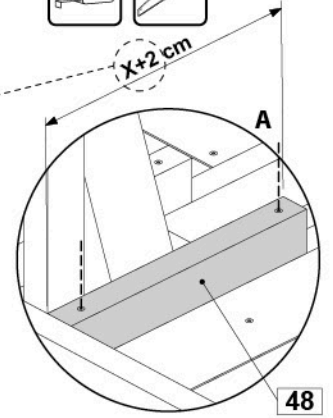
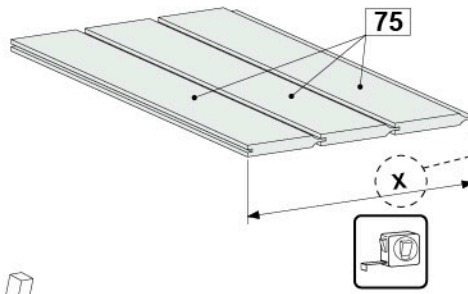
3x 100 mm



11.4f



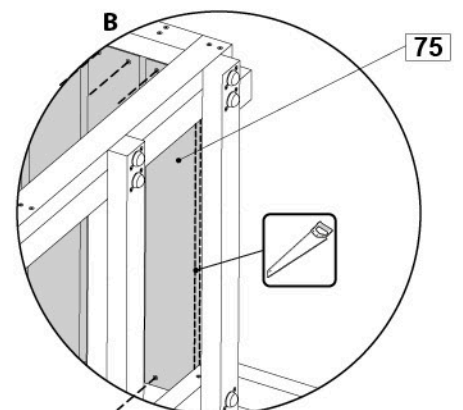
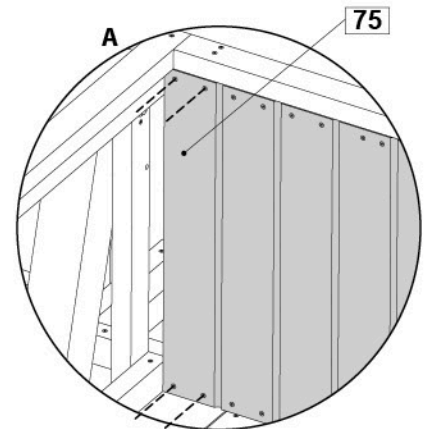
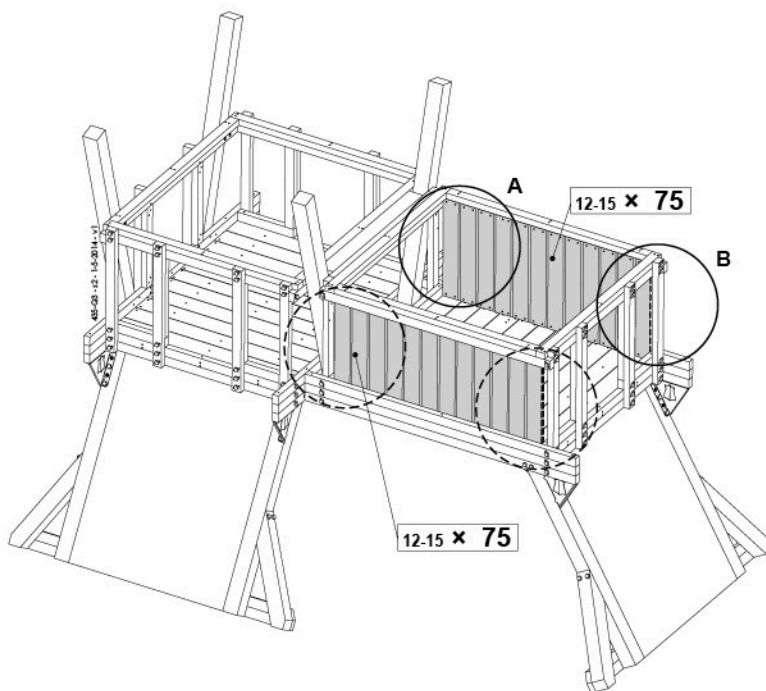
4x 100 mm



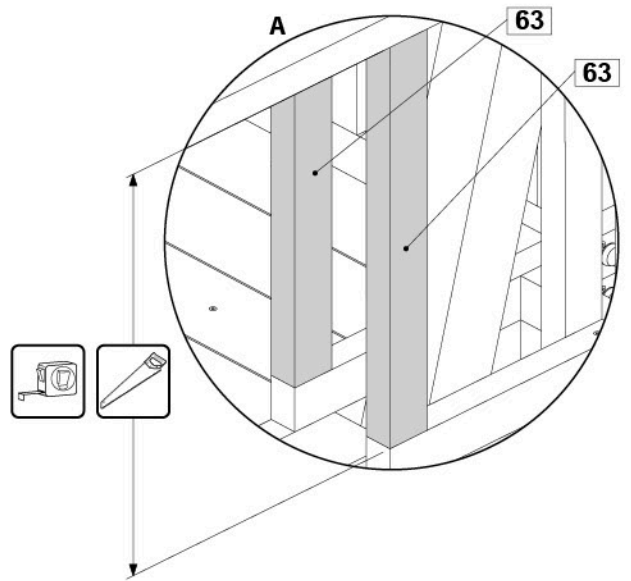
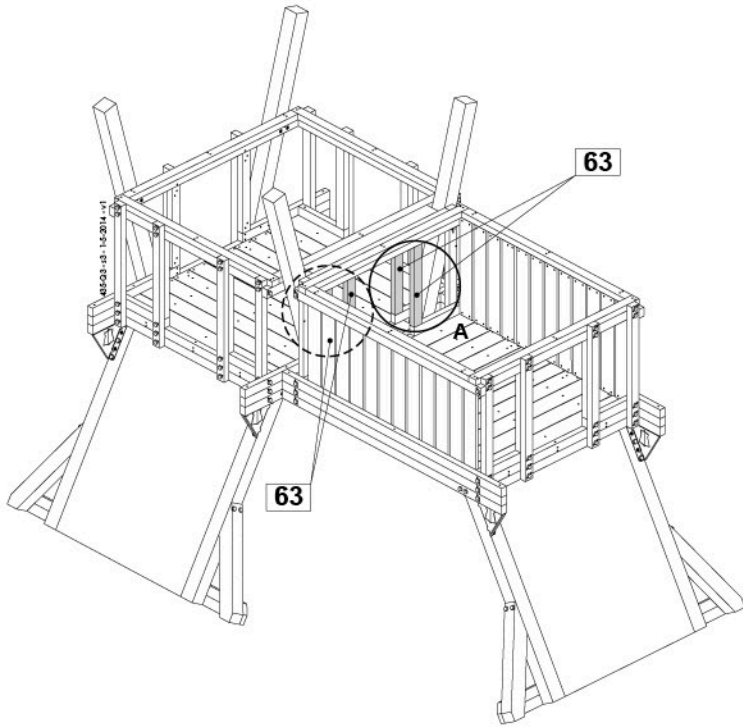
11.4g



96 - 120x 45 mm



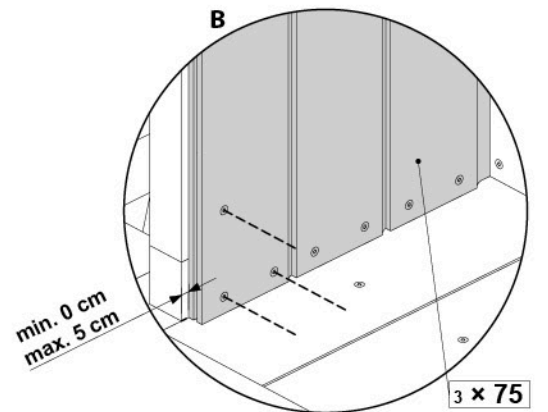
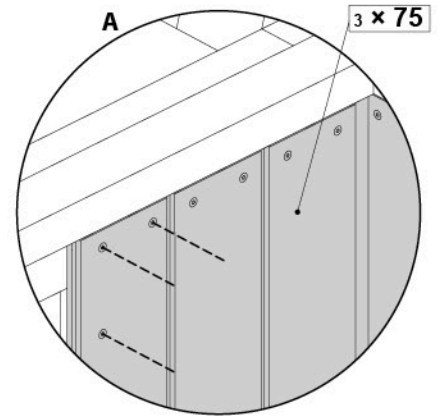
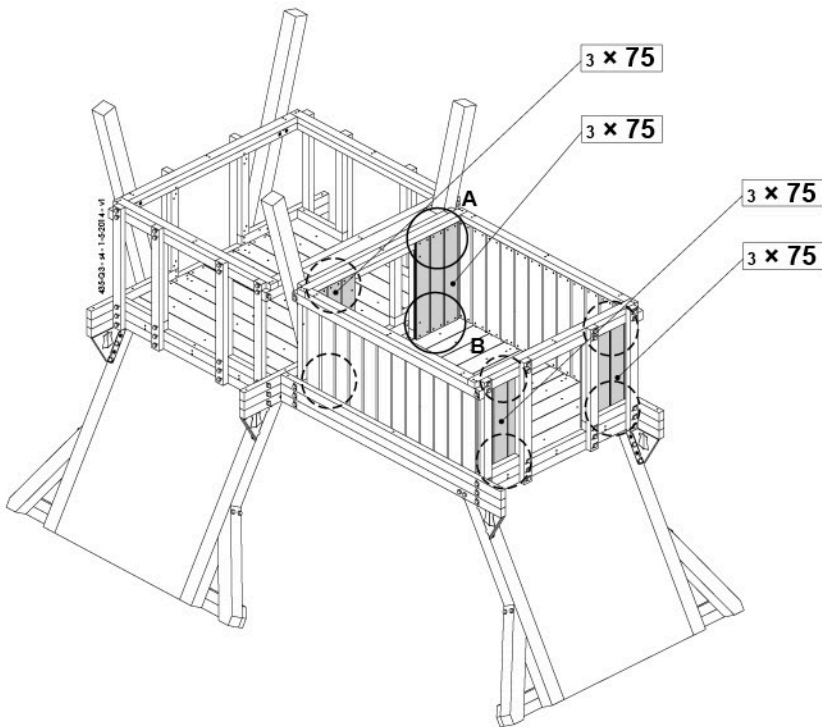
11.4h



11.4i



56x 45 mm

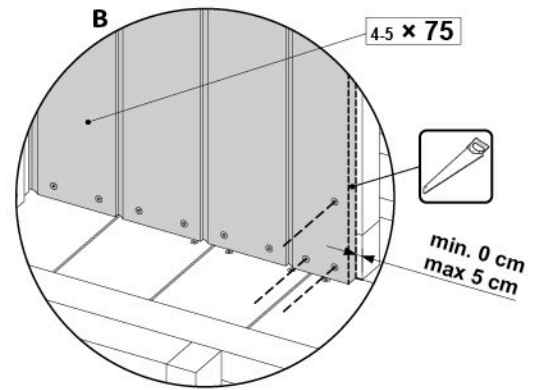
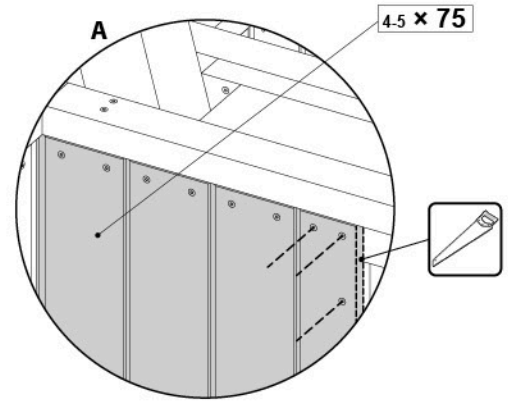
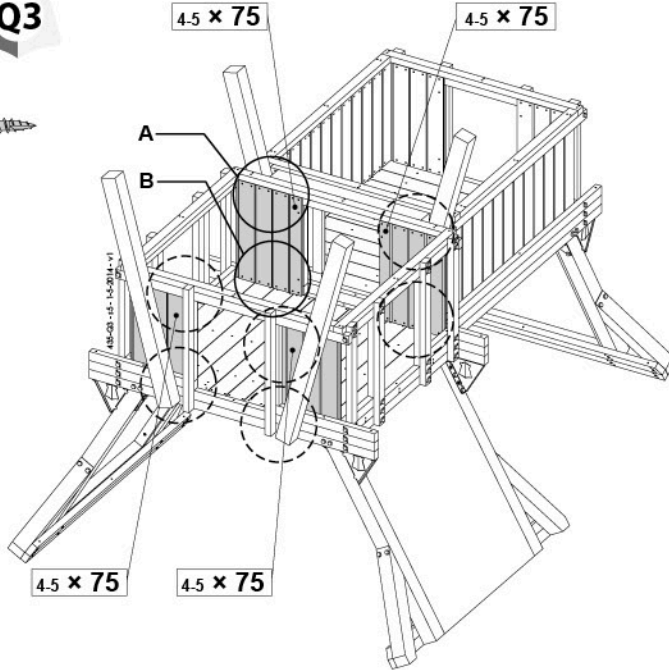


11.4j



72 - 88x

45 mm

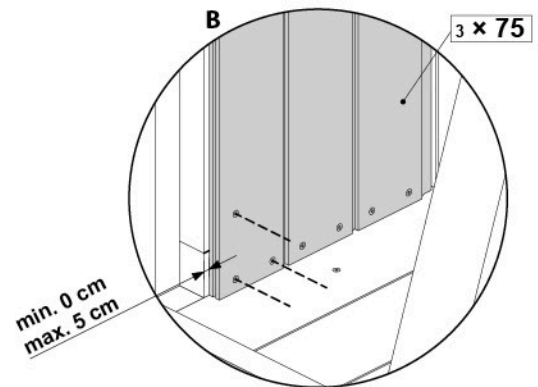
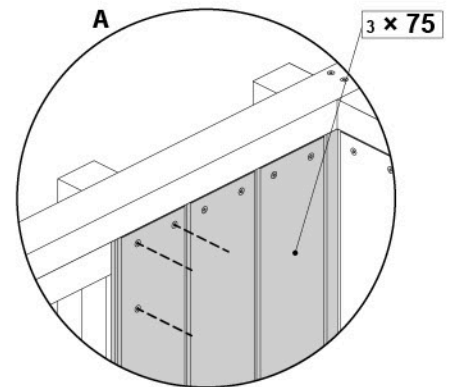
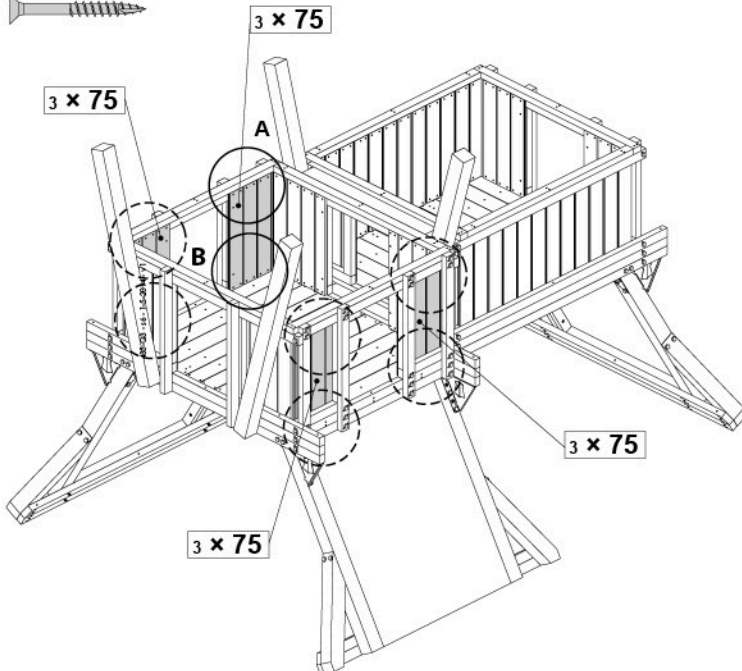
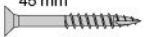


11.4k

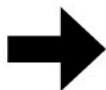


56x

45 mm

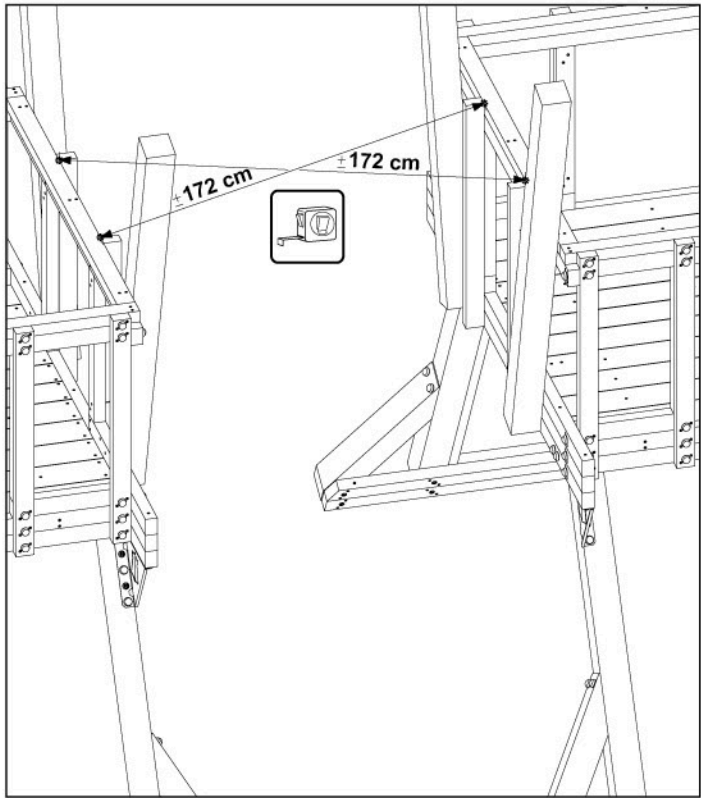
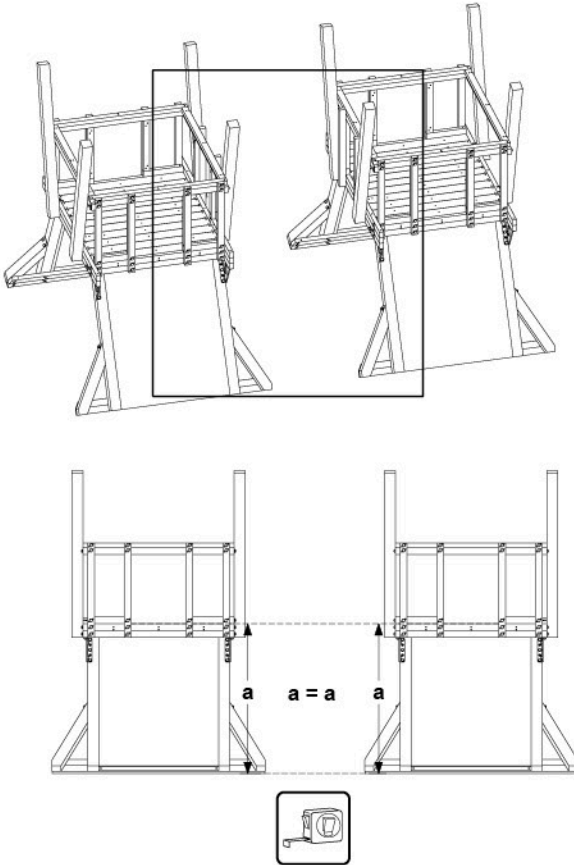


11.4L



13

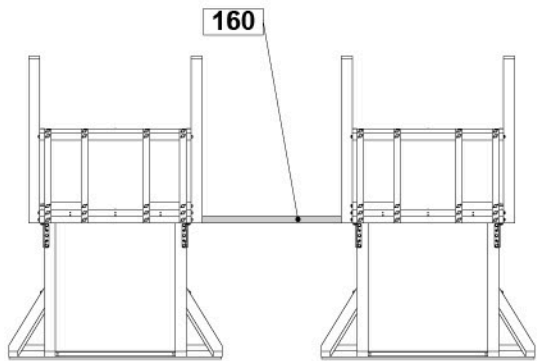
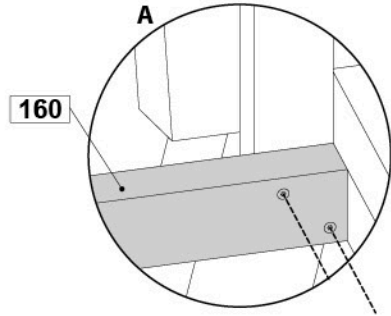
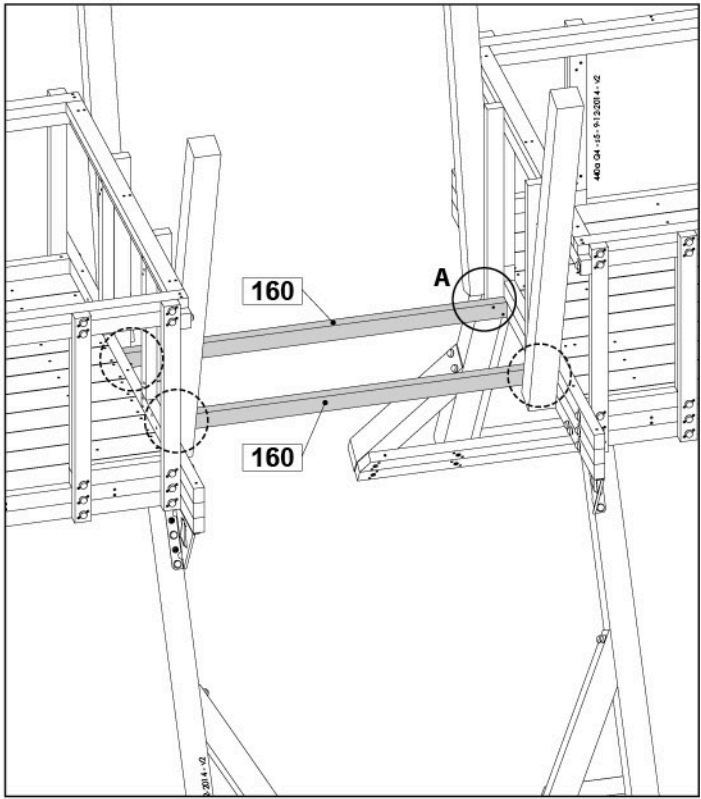
12.1a



12.1b



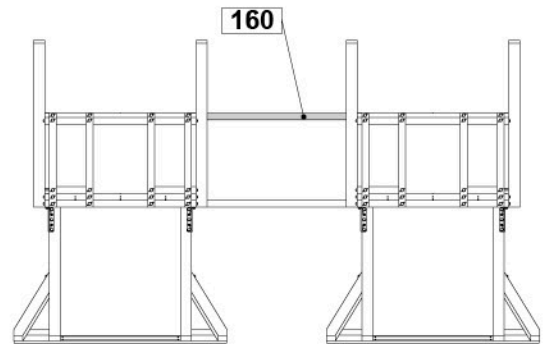
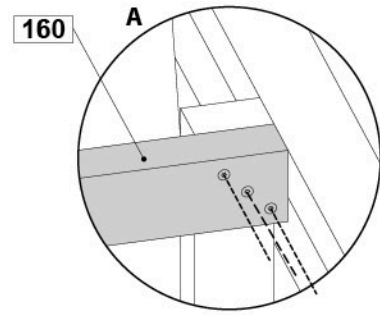
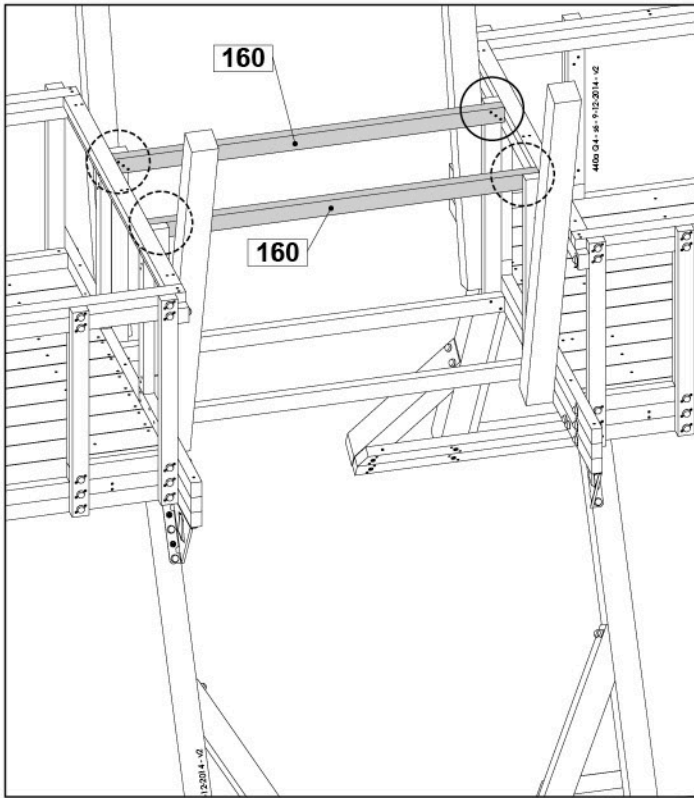
8x 80 mm



12.1c



12x



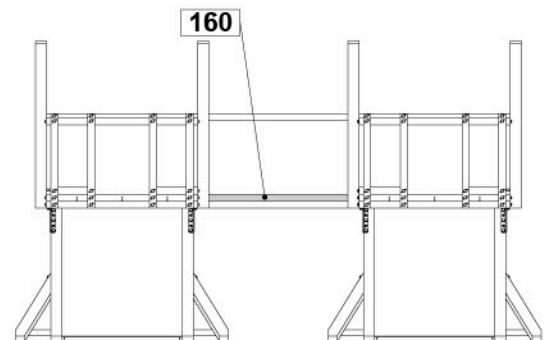
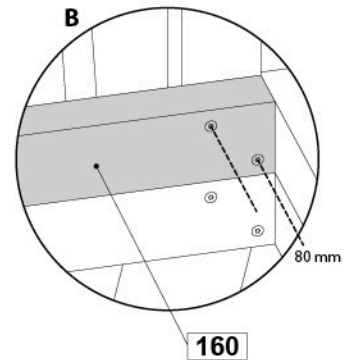
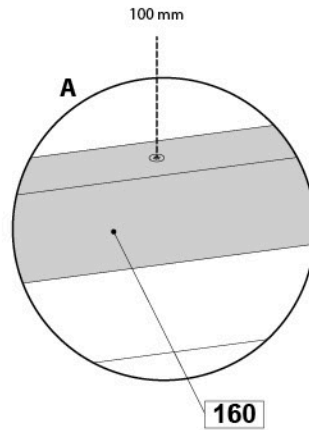
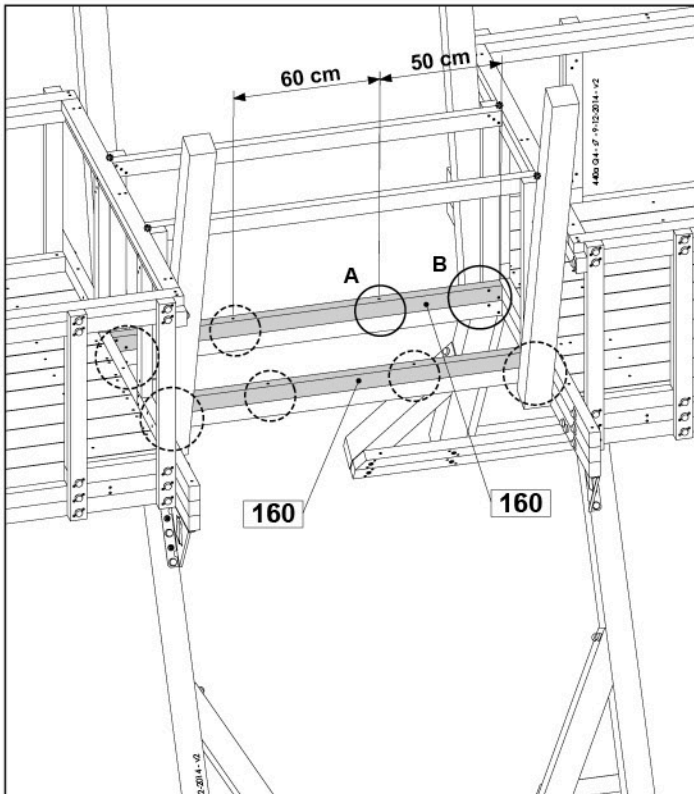
12.1d



4x



8x

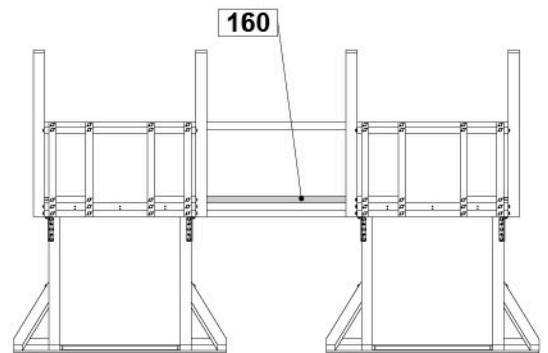
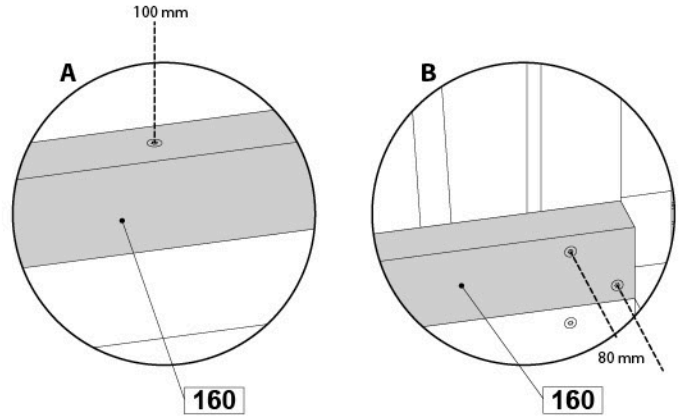
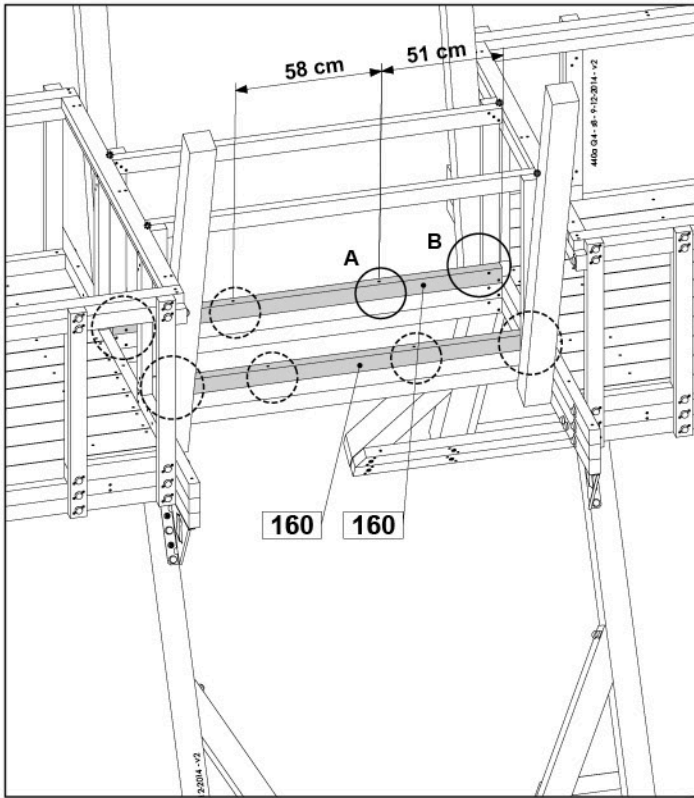


12.1e



4x 100 mm

8x 80 mm

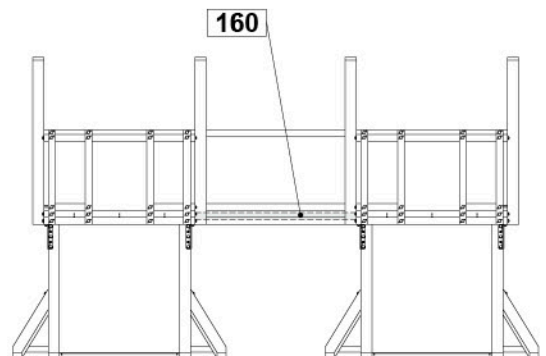
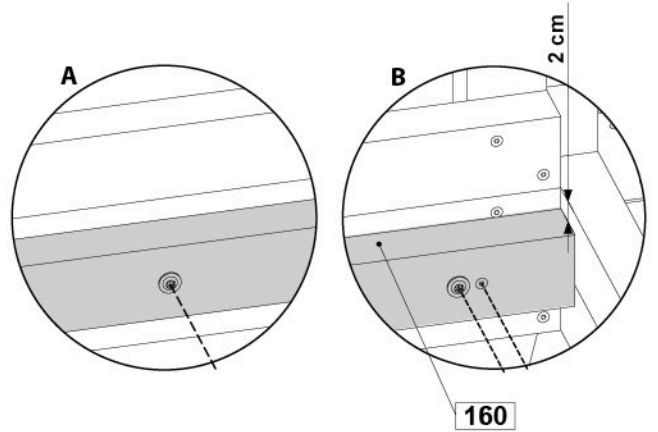
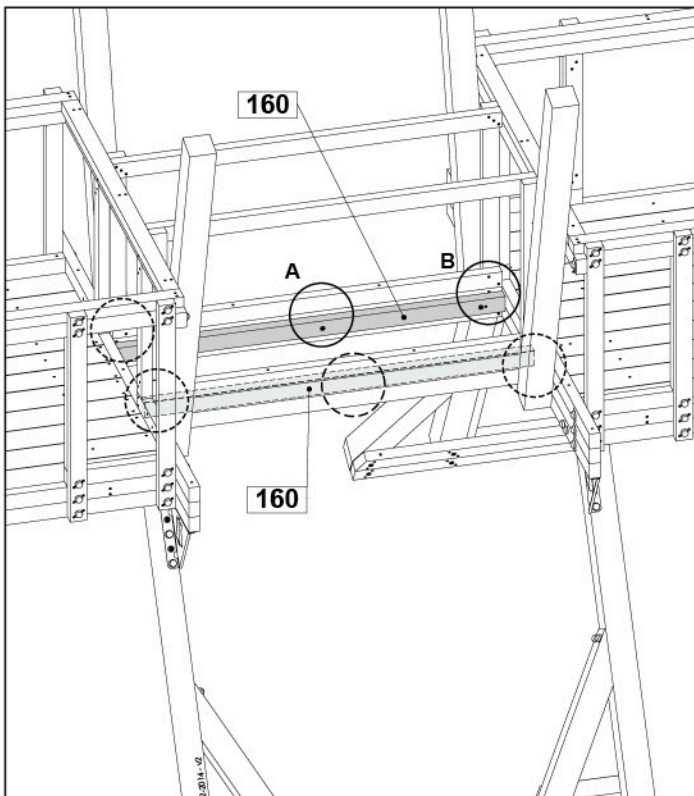


12.1f



6x 80 mm

4x 80 mm

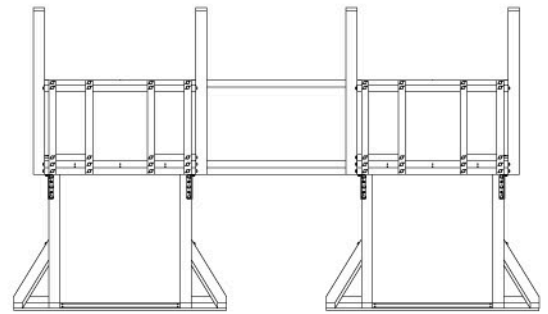
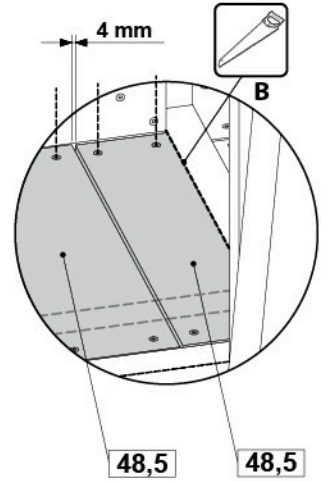
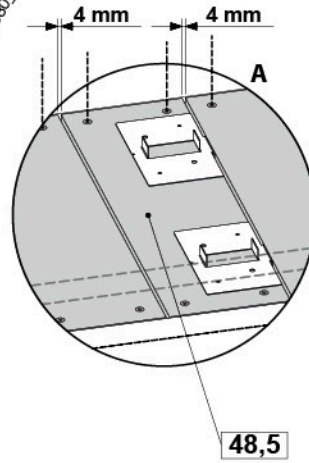
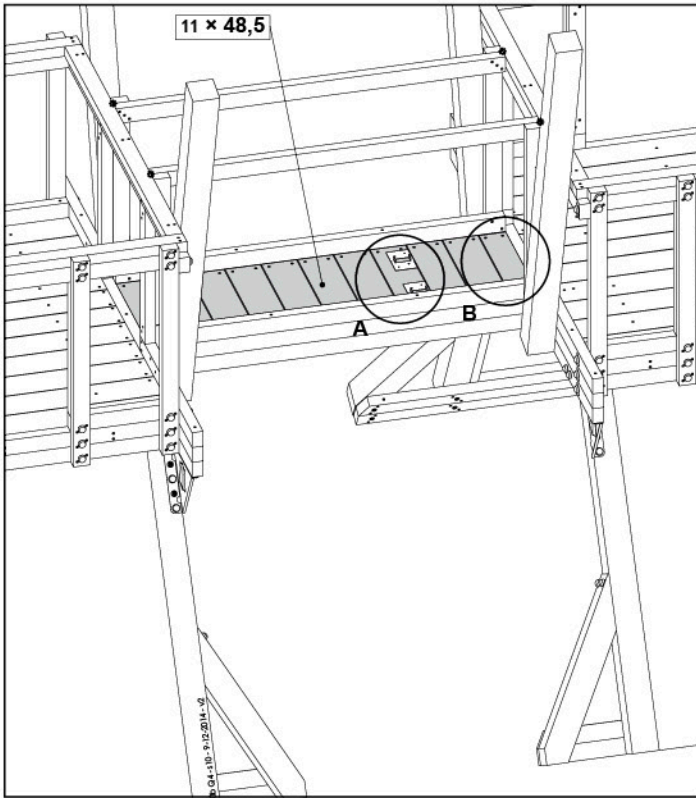
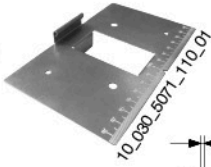


12.1g



44x 45 mm

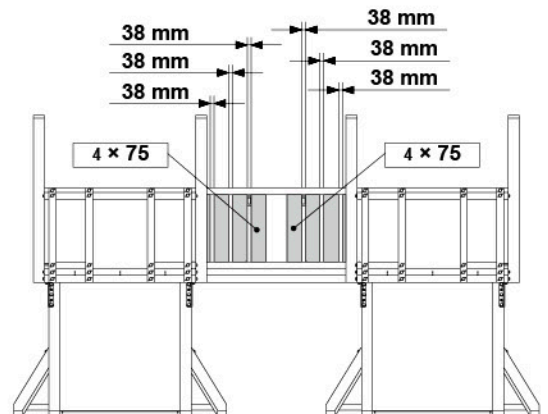
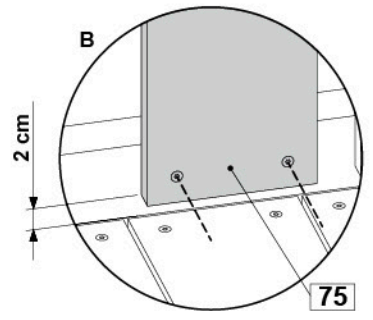
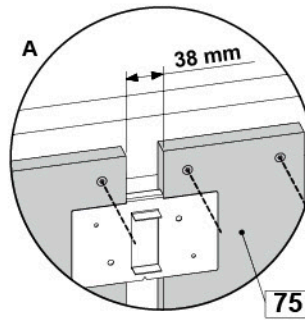
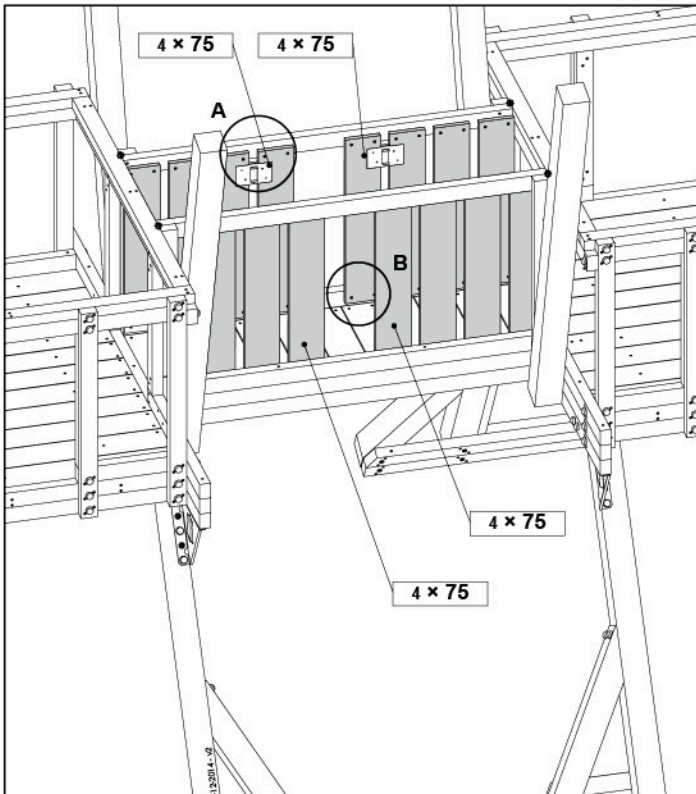
2x



12.1h



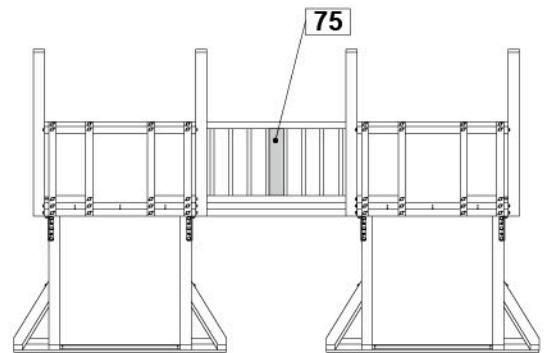
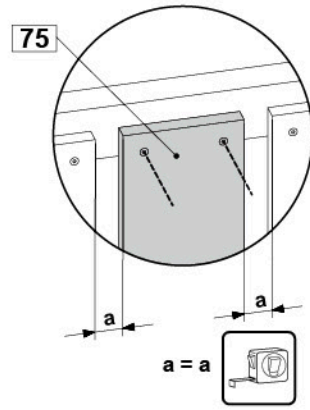
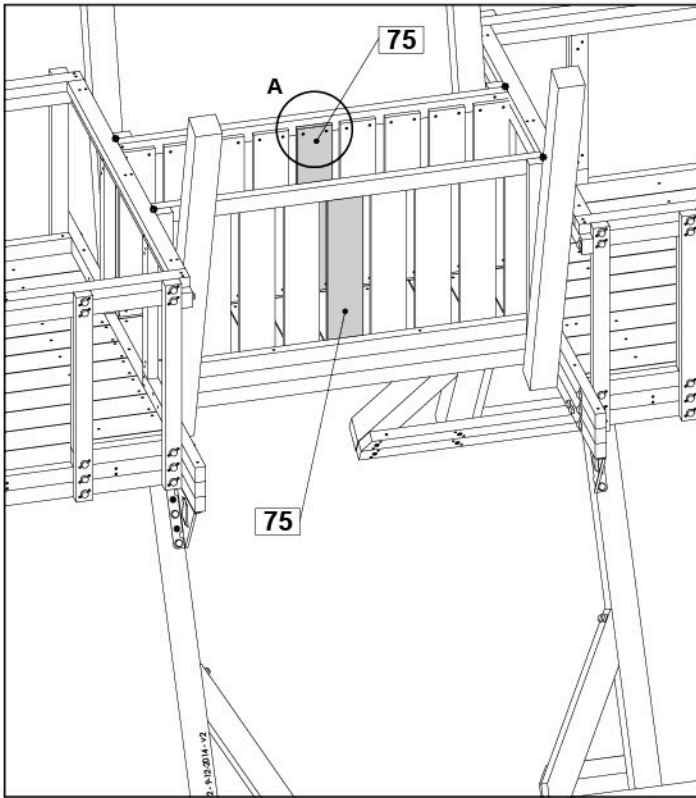
64x 45 mm



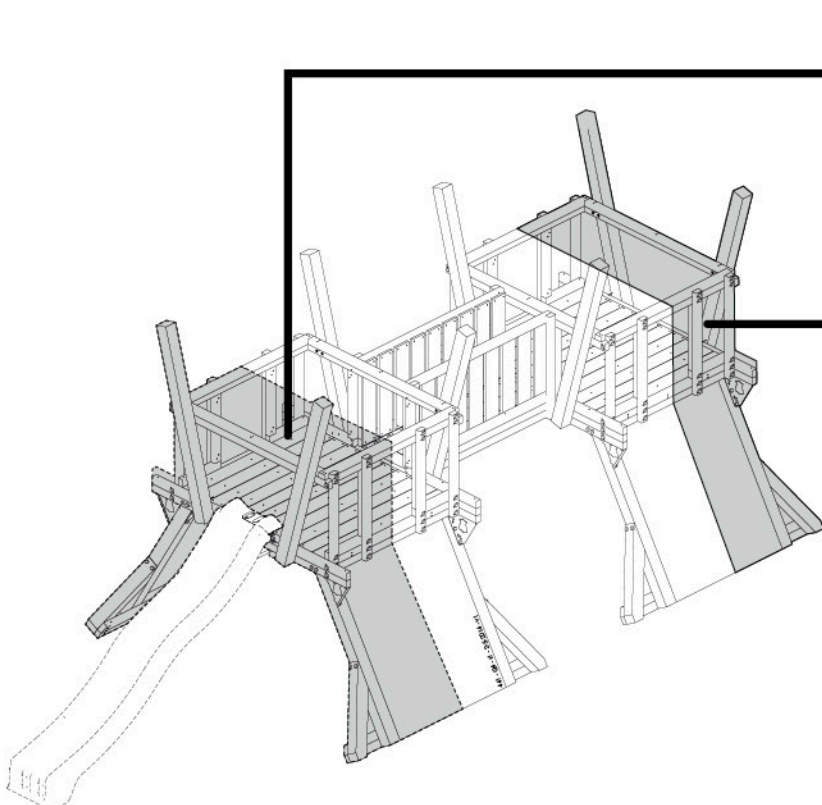
12.1i



8x 45 mm



12.2a



12.2b 12.2c 12.2d 12.2e

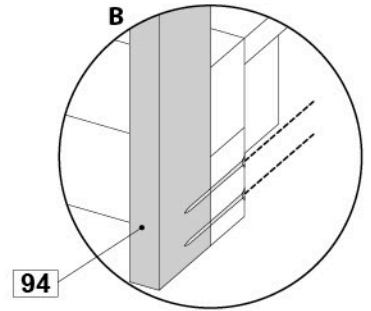
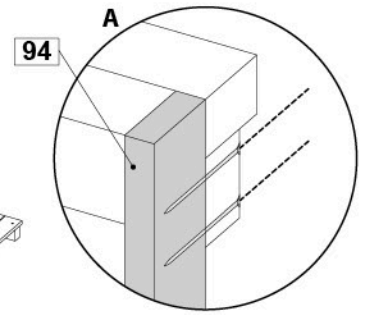
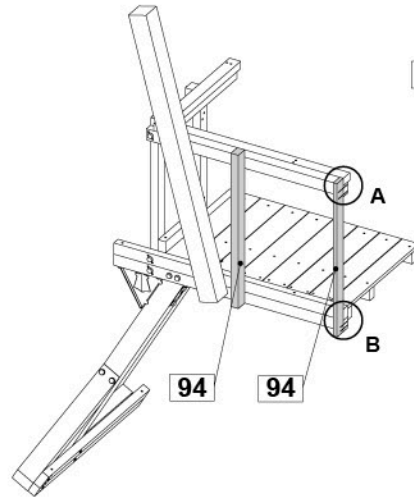
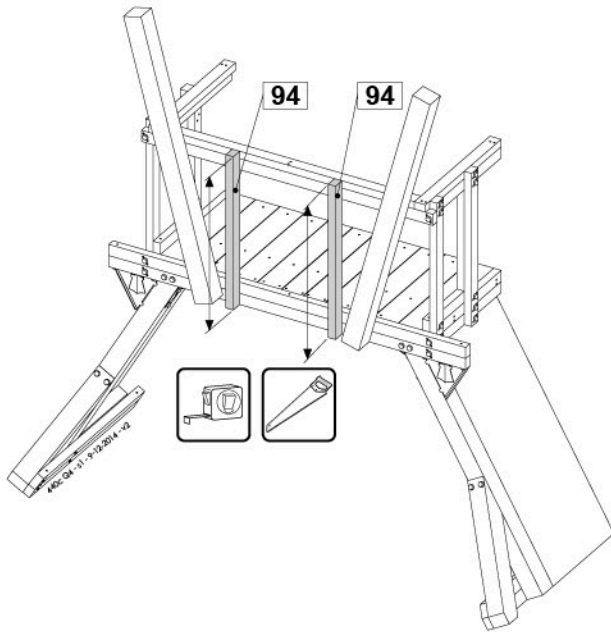


12.2f 12.2g

12.2b



8x 80 mm



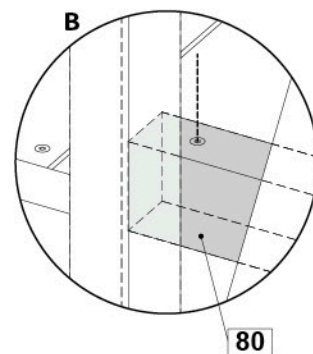
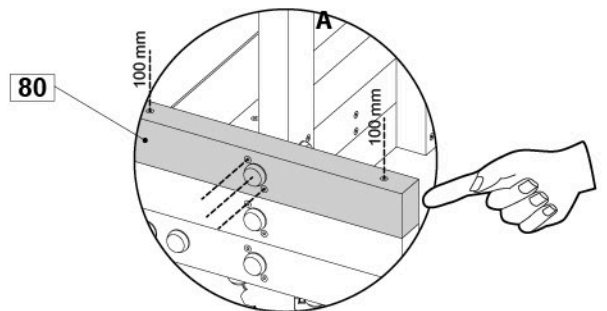
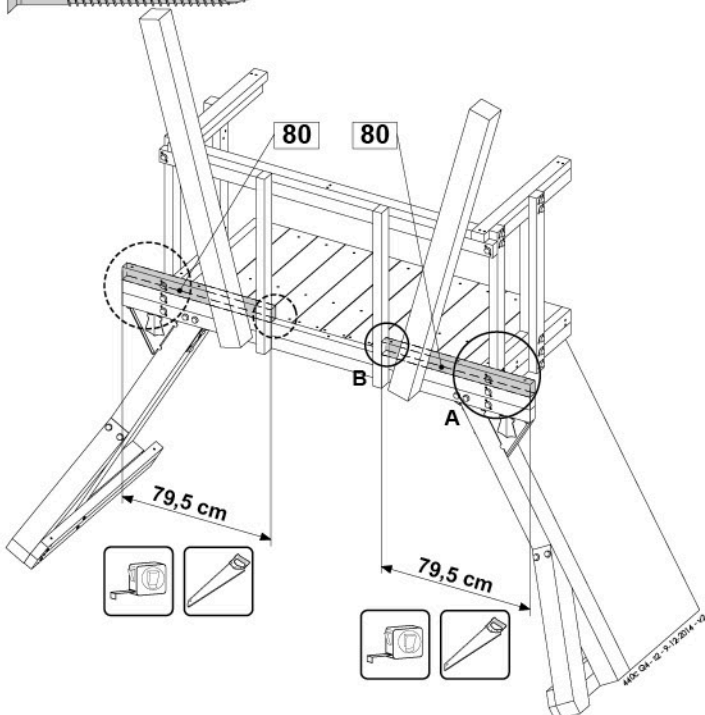
12.2c



2x 80 mm

6x 100 mm

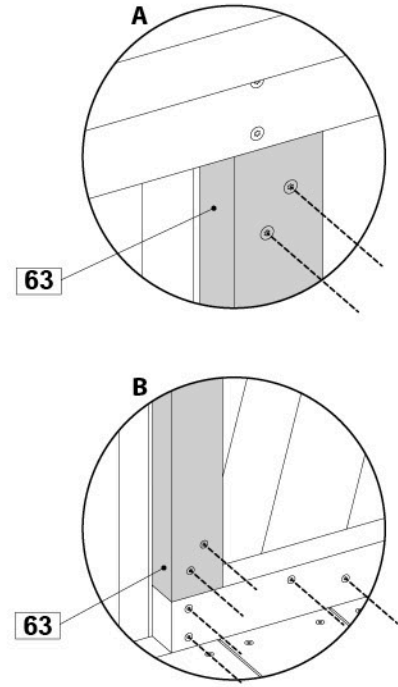
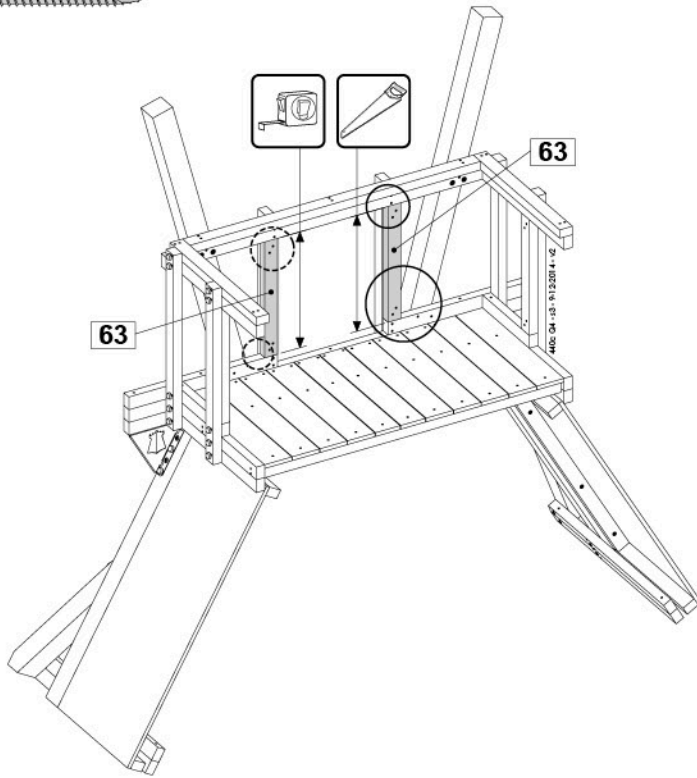
4x 80 mm



12.2d



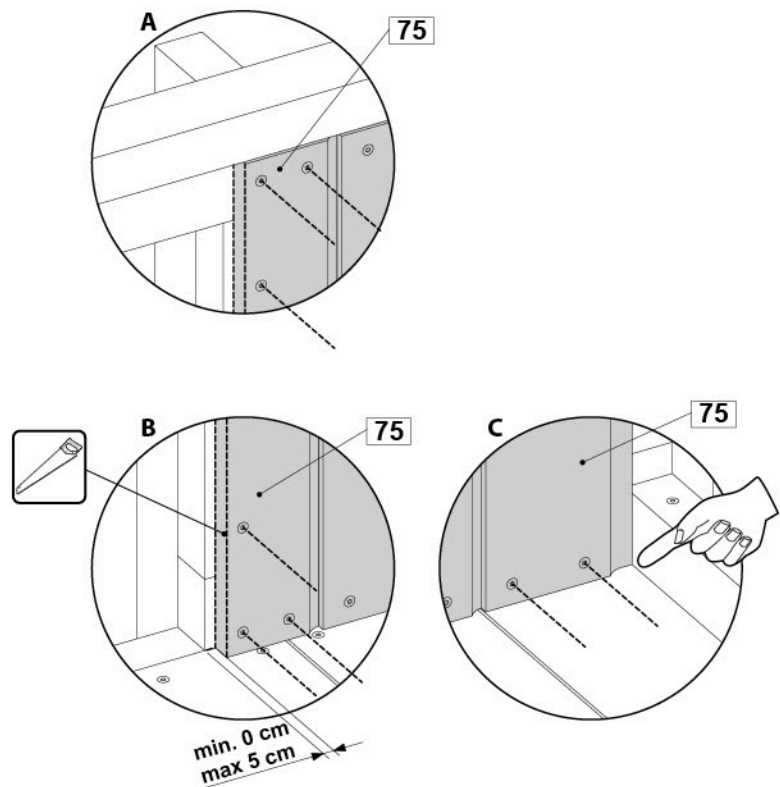
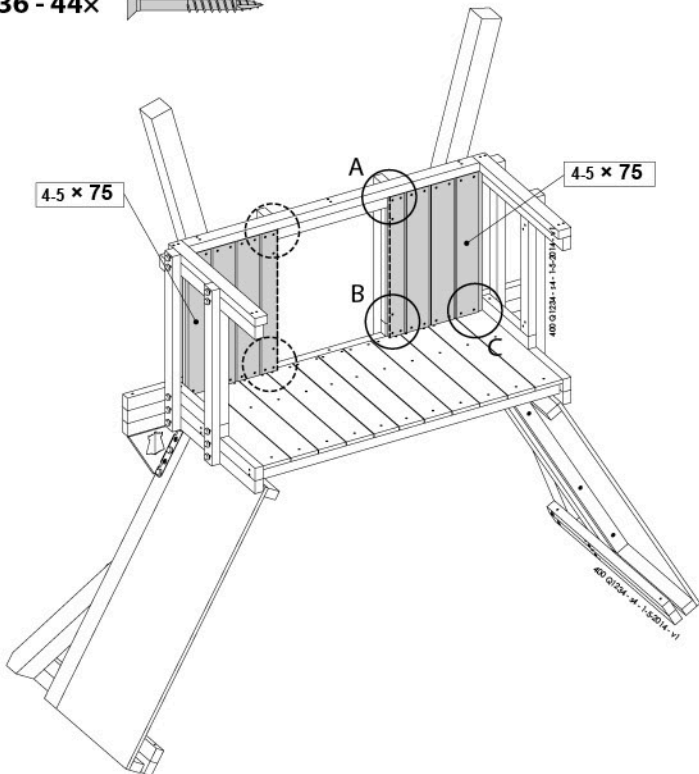
16x 80 mm



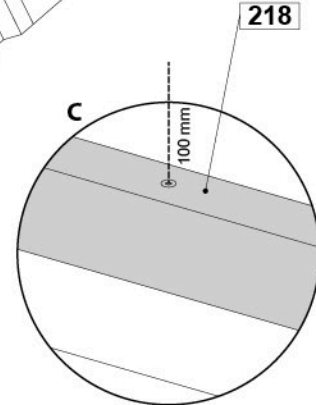
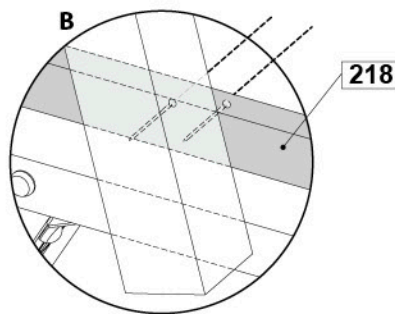
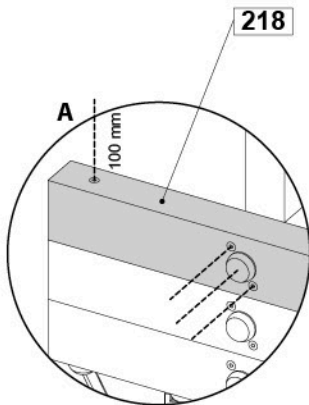
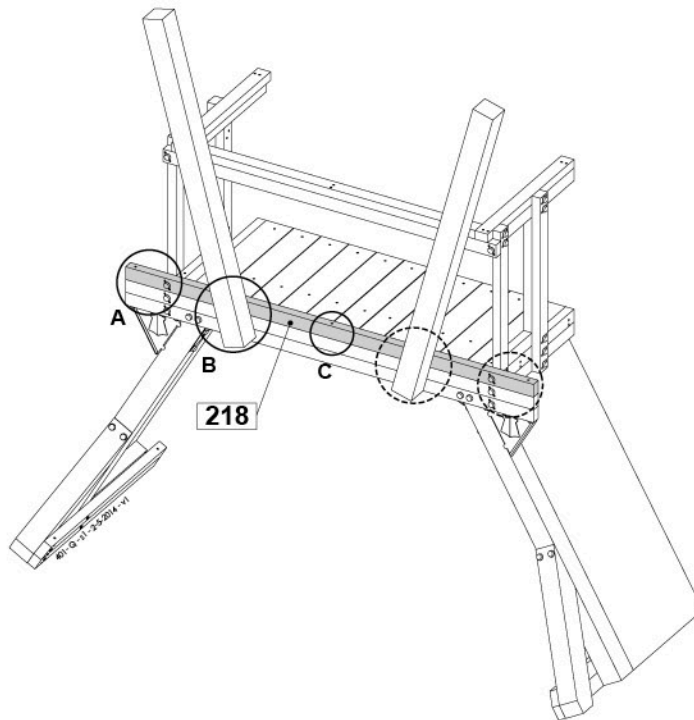
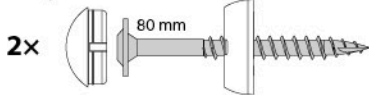
12.2e



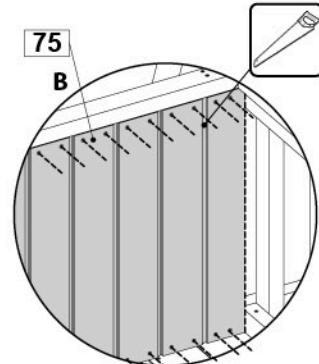
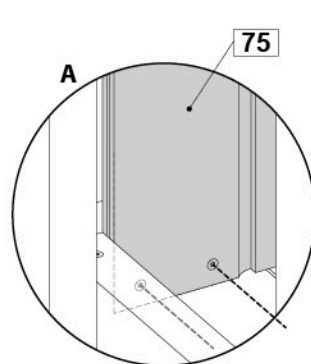
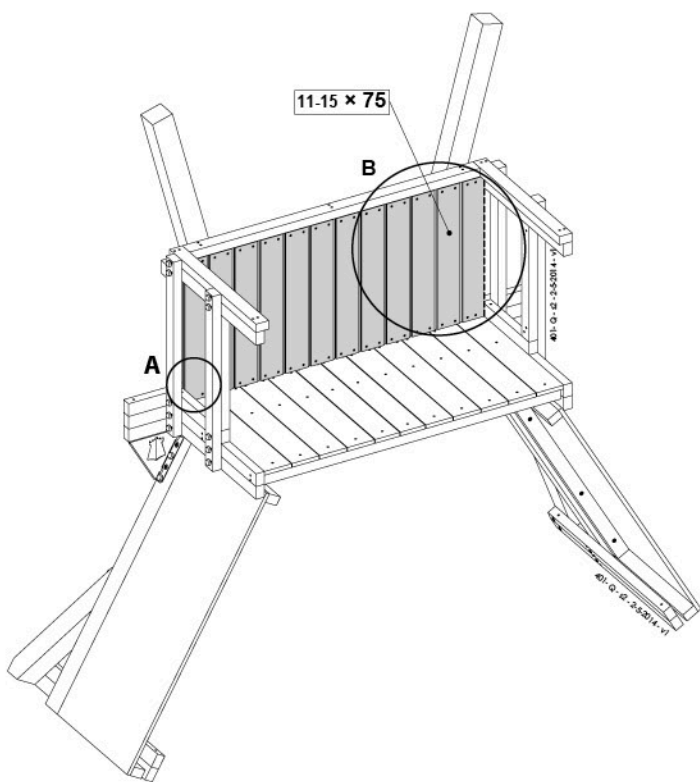
36 - 44x 45 mm



12.2f



12.2g



12.2h

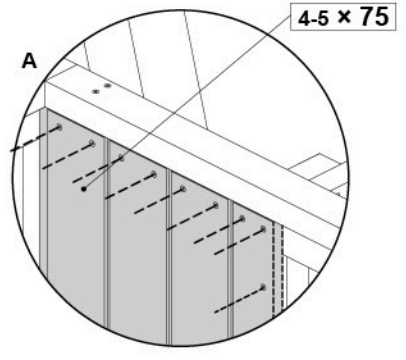
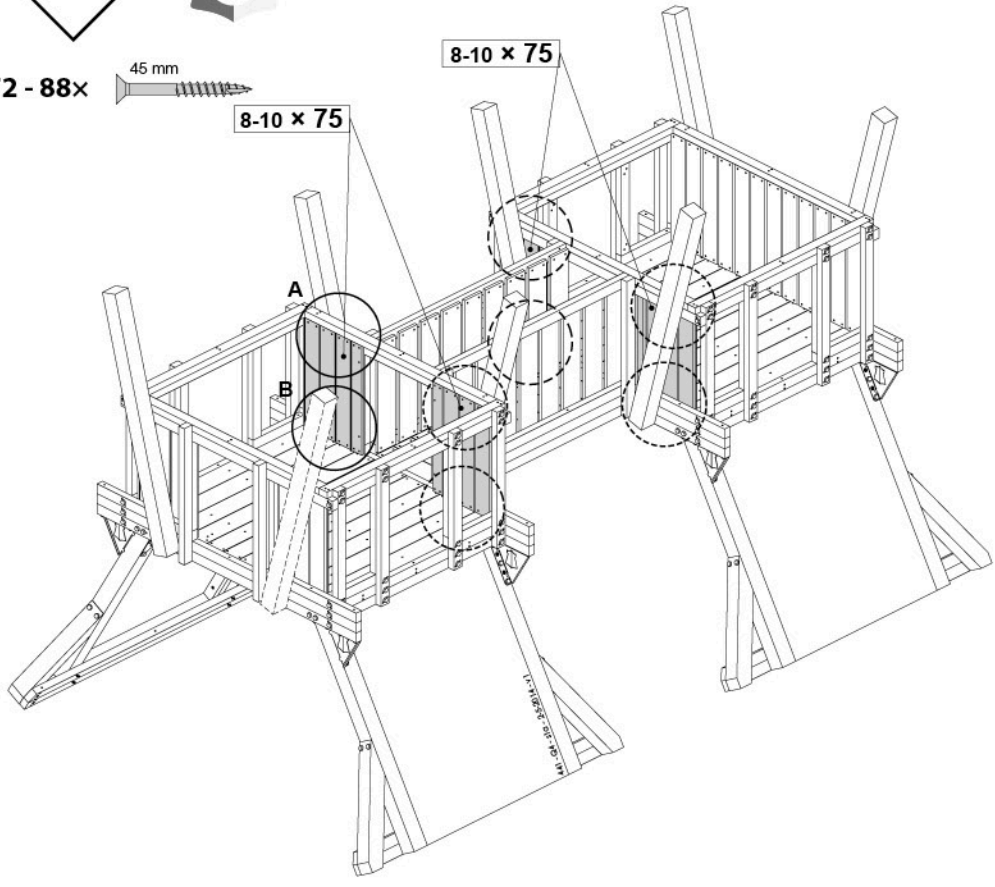


72 - 88x

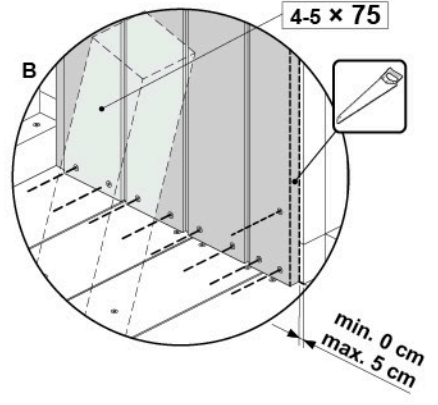


8-10 x 75

8-10 x 75



4-5 x 75



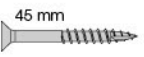
4-5 x 75

min. 0 cm
max. 5 cm

12.2i



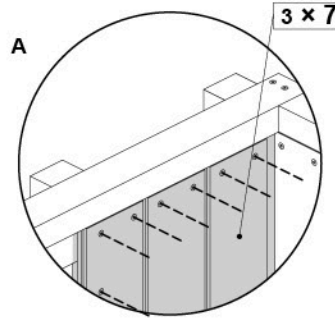
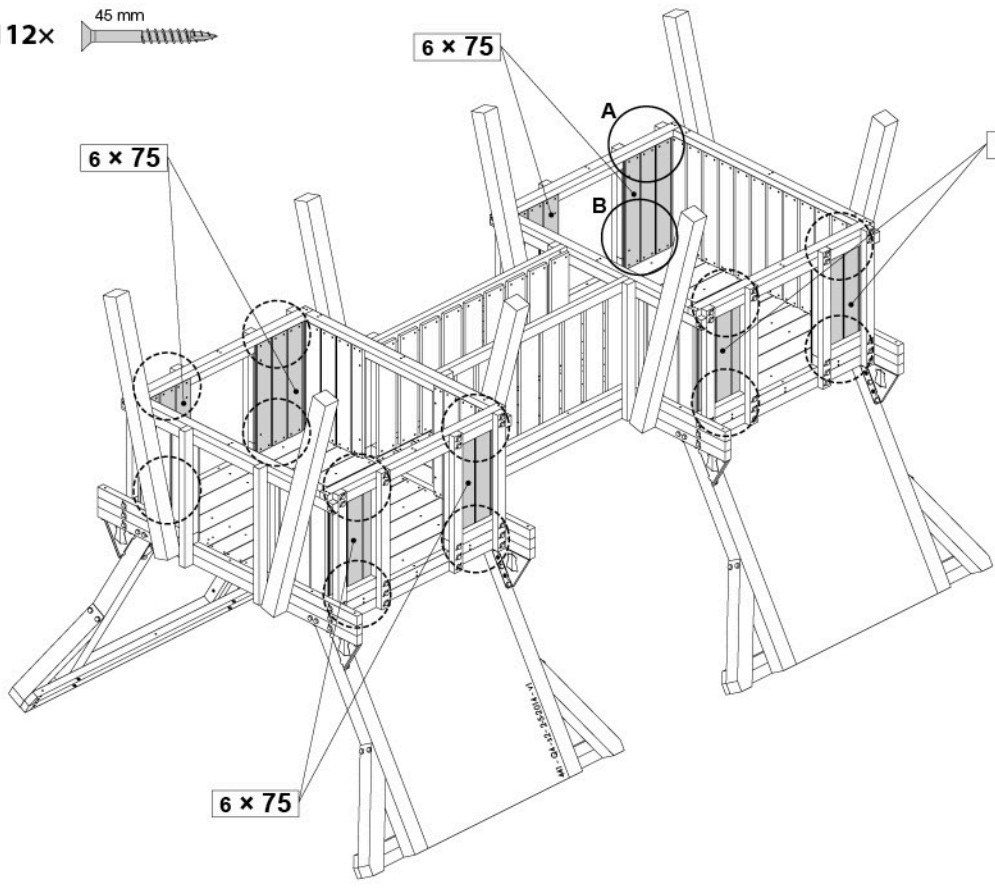
112x



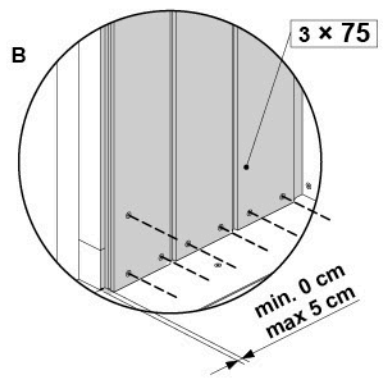
6 x 75

6 x 75

6 x 75



3 x 75

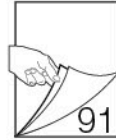
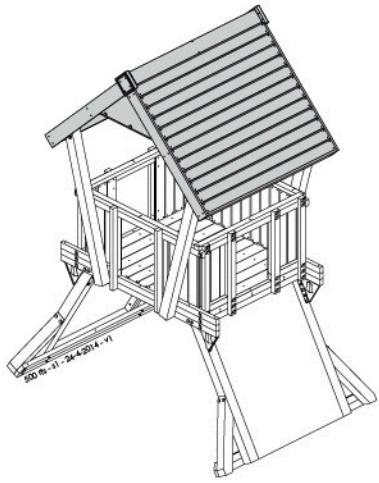


3 x 75

min. 0 cm
max. 5 cm

13

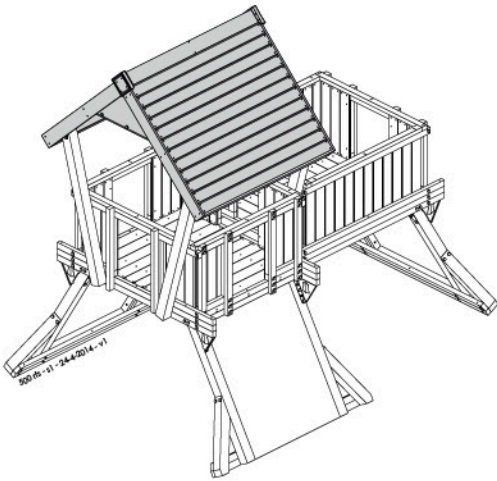
Q2



13a

13r

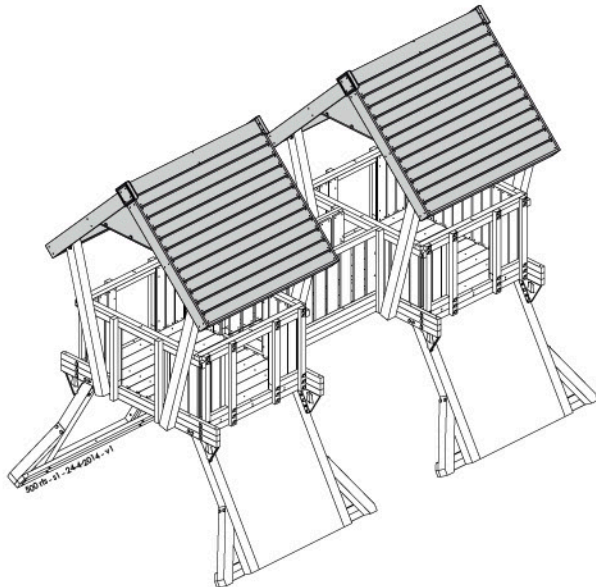
Q3



13a

13r

Q4



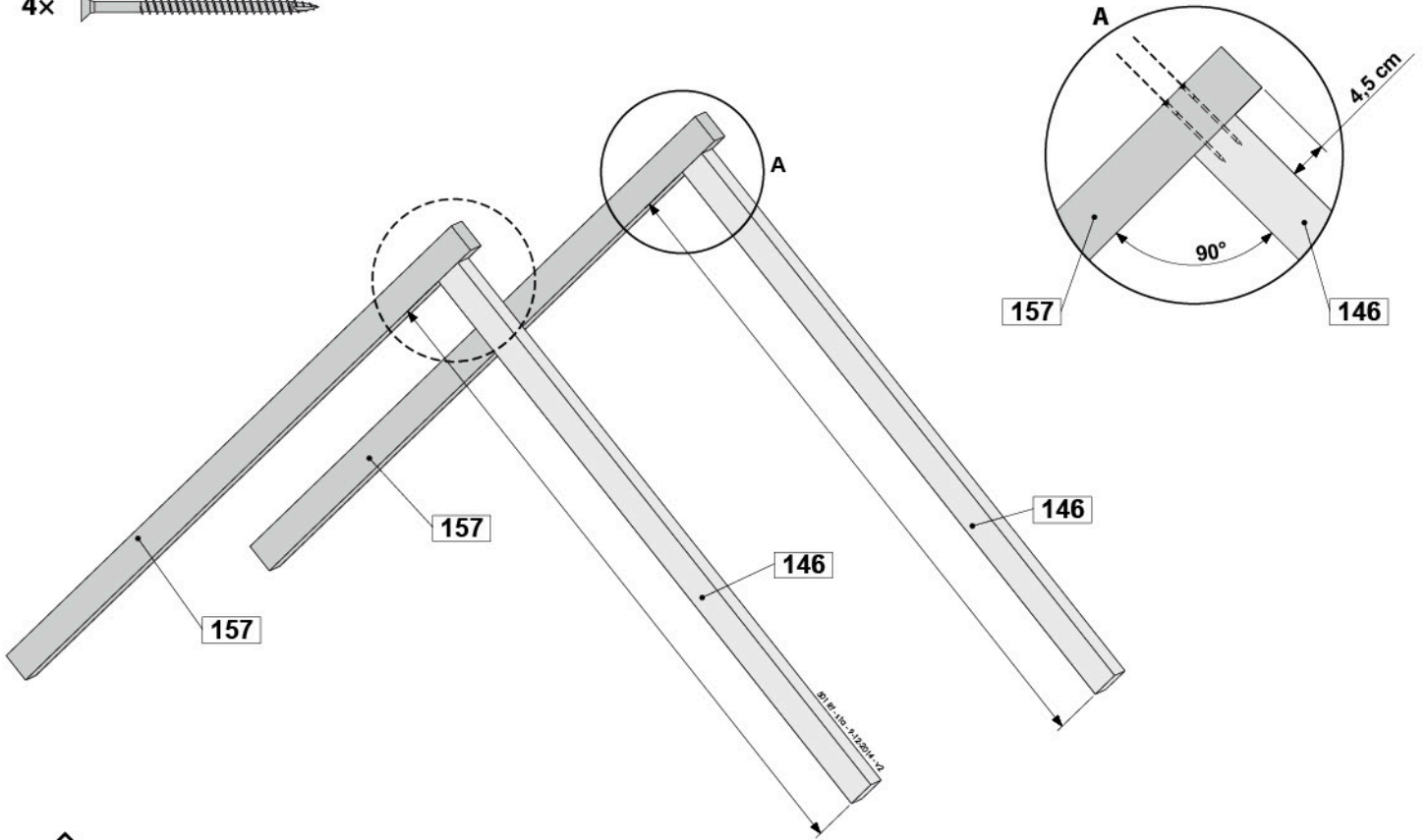
13a

13r


2x

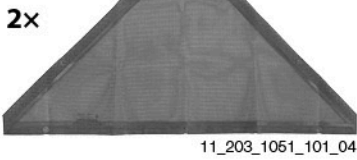
13a

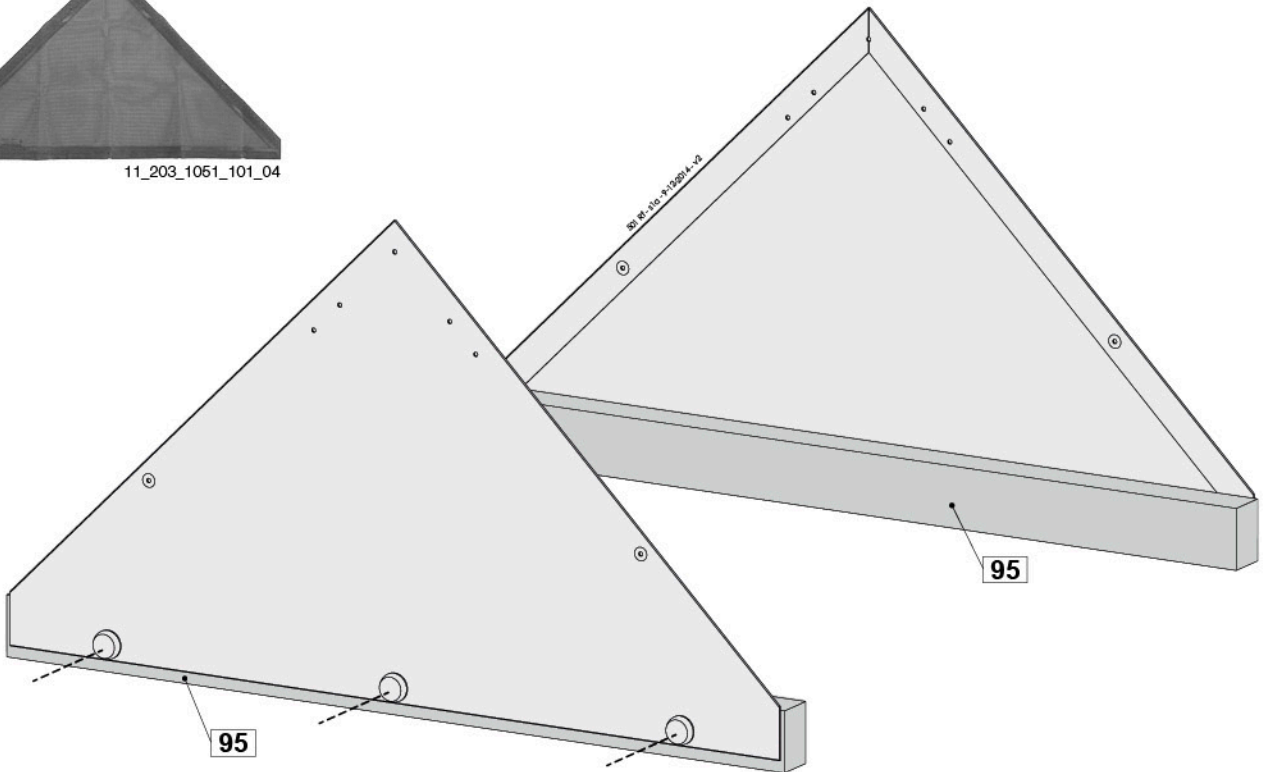
4x 80 mm 



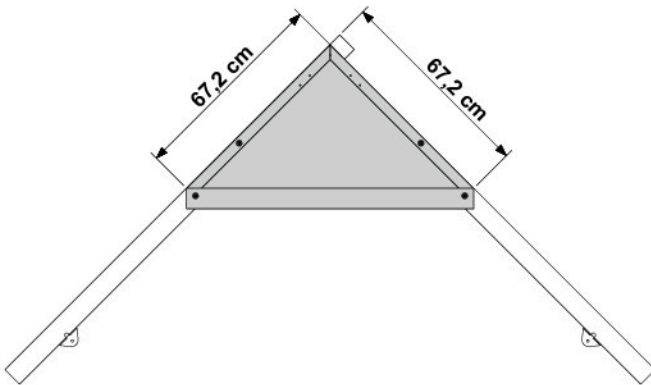
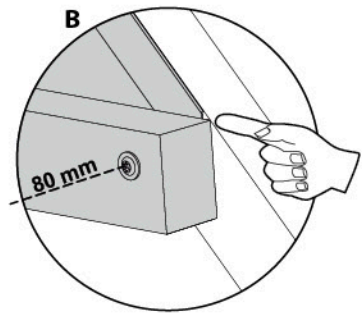
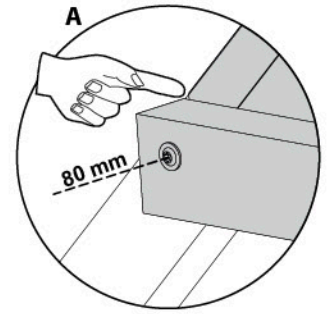
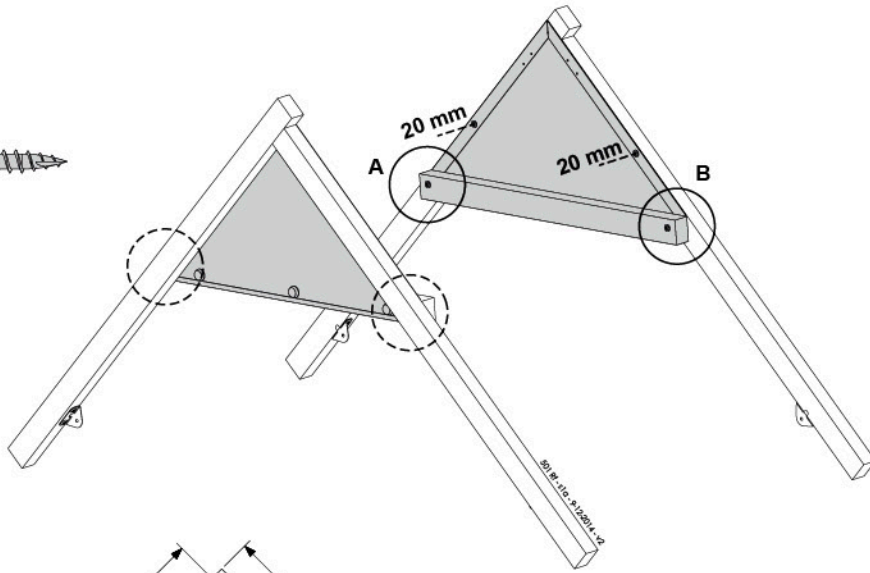
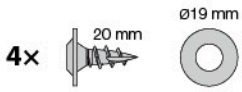
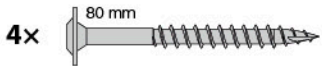
13b

6x  20 mm

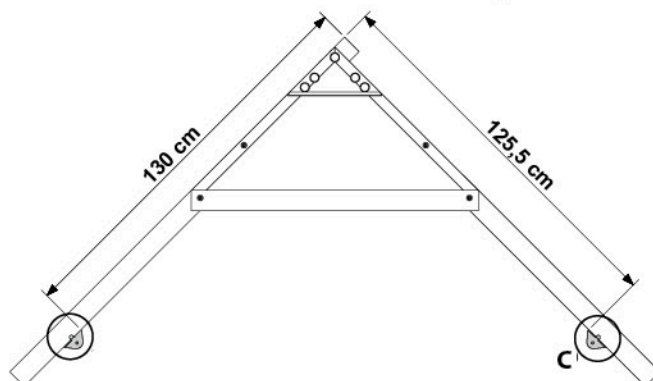
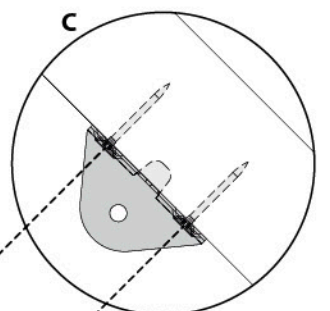
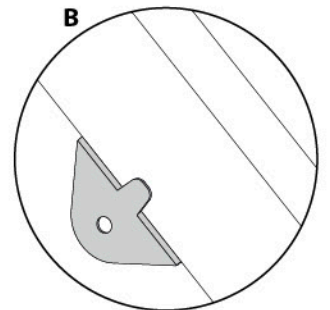
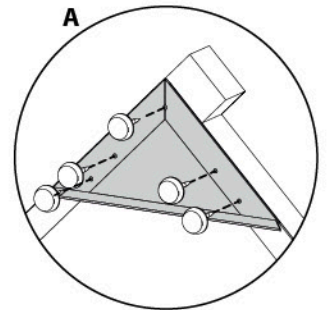
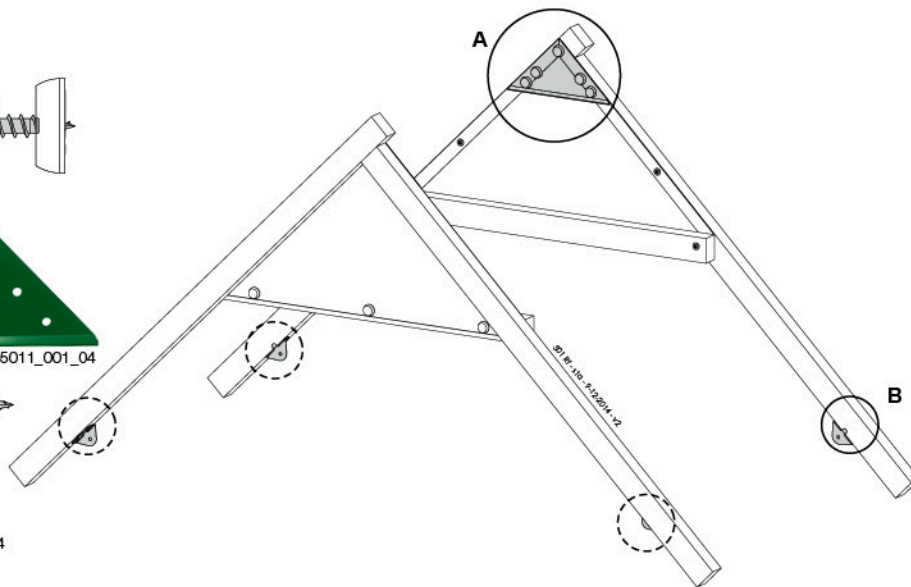
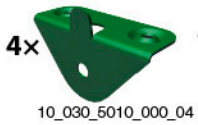
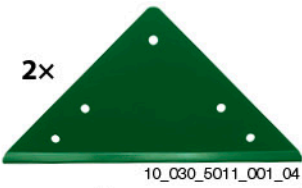
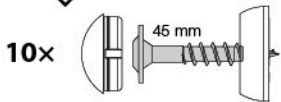
2x 
11_203_1051_101_04



13c

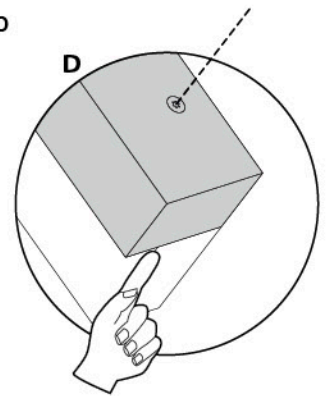
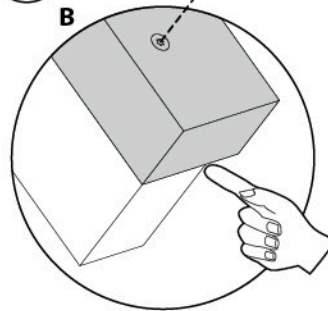
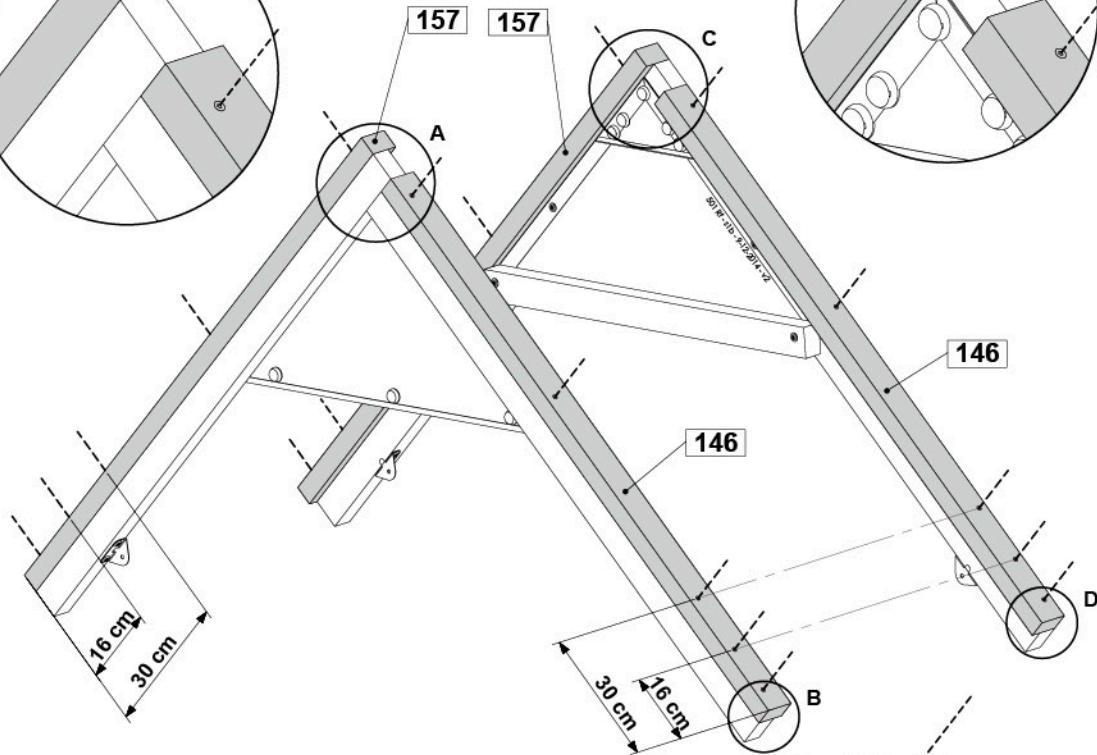
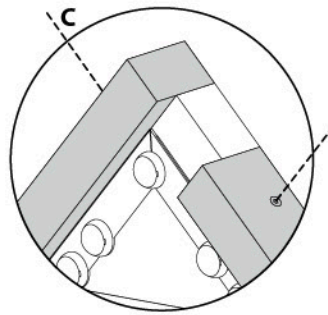
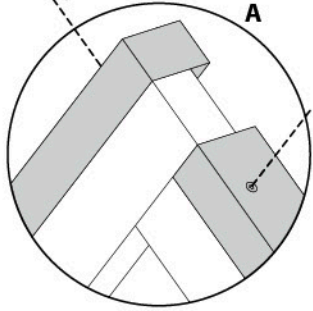


13d

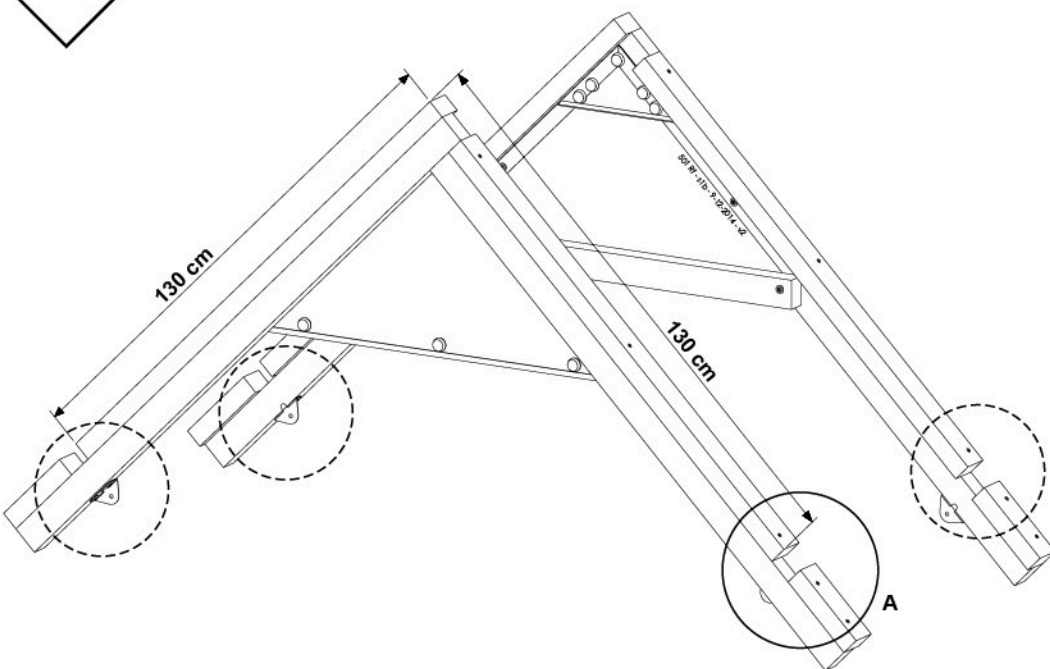


13e

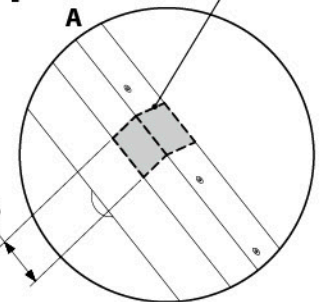
20x 80 mm



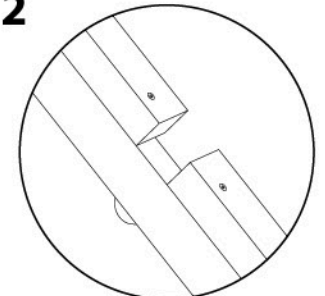
13f



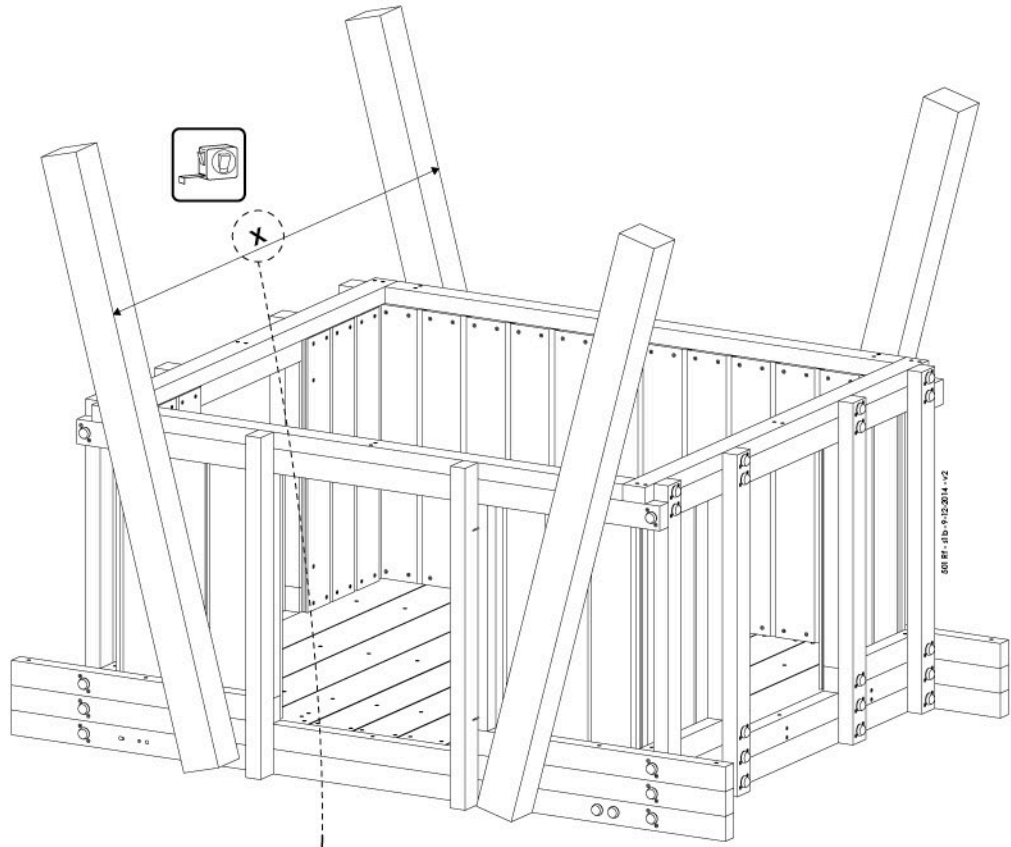
1



2

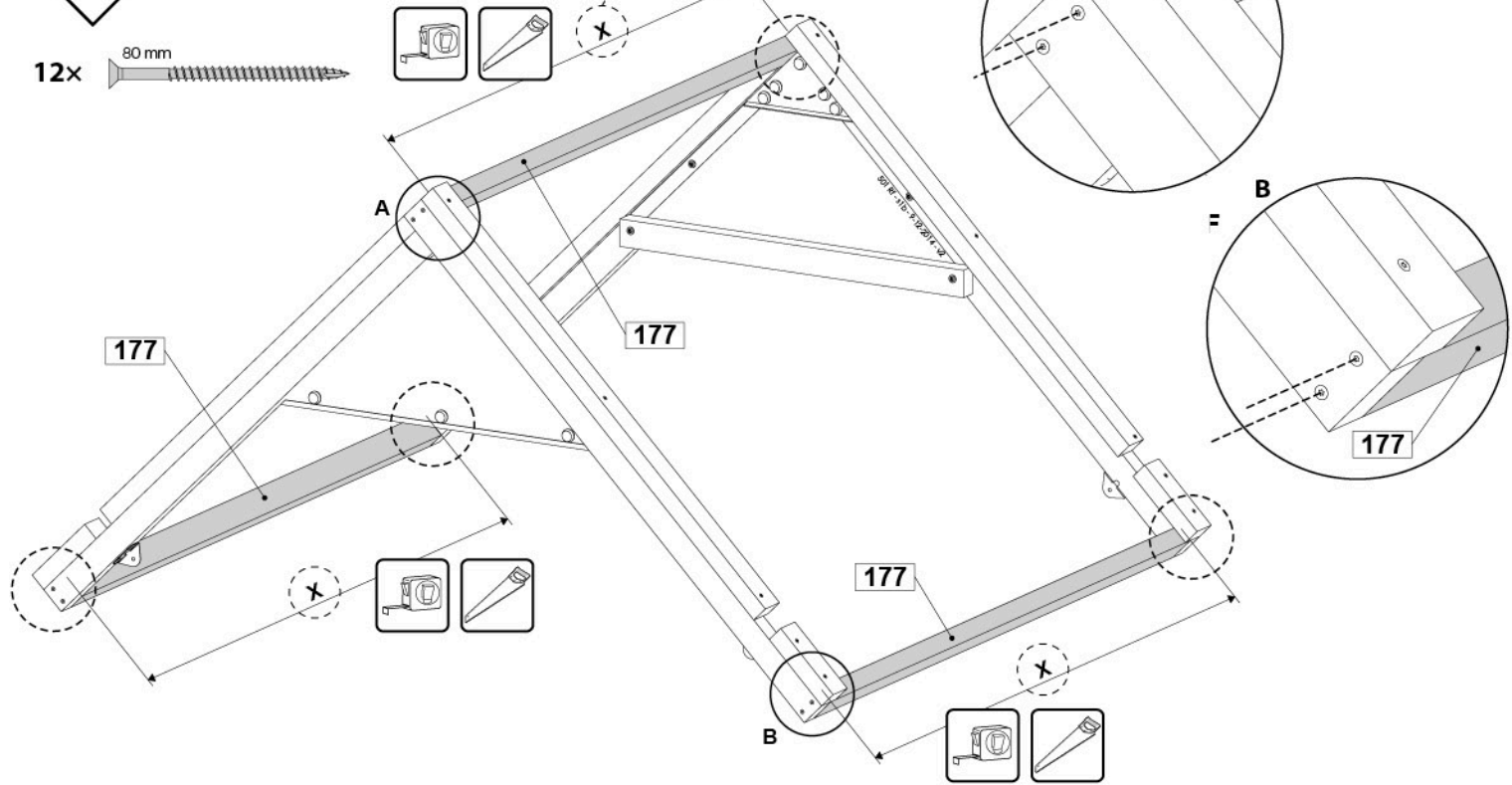


13g



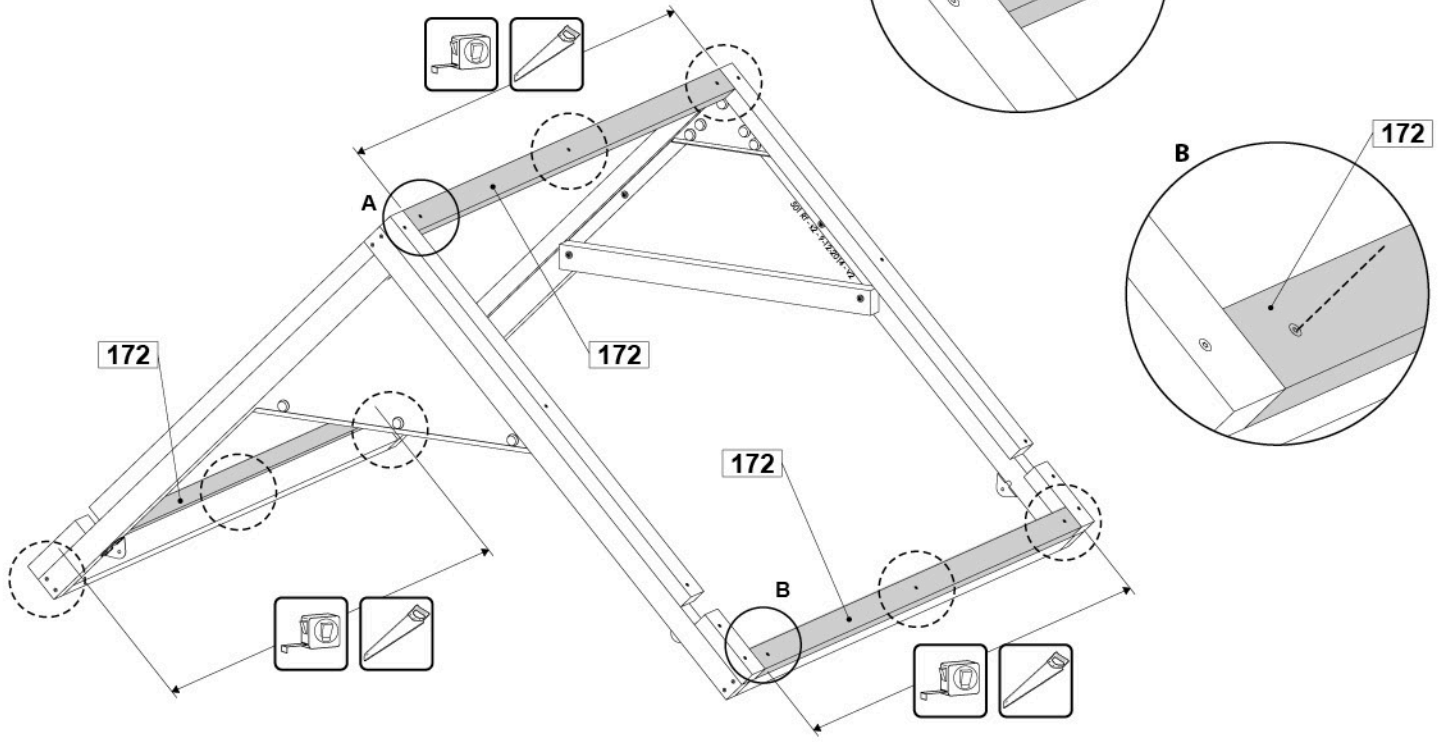
13h

12x 80 mm



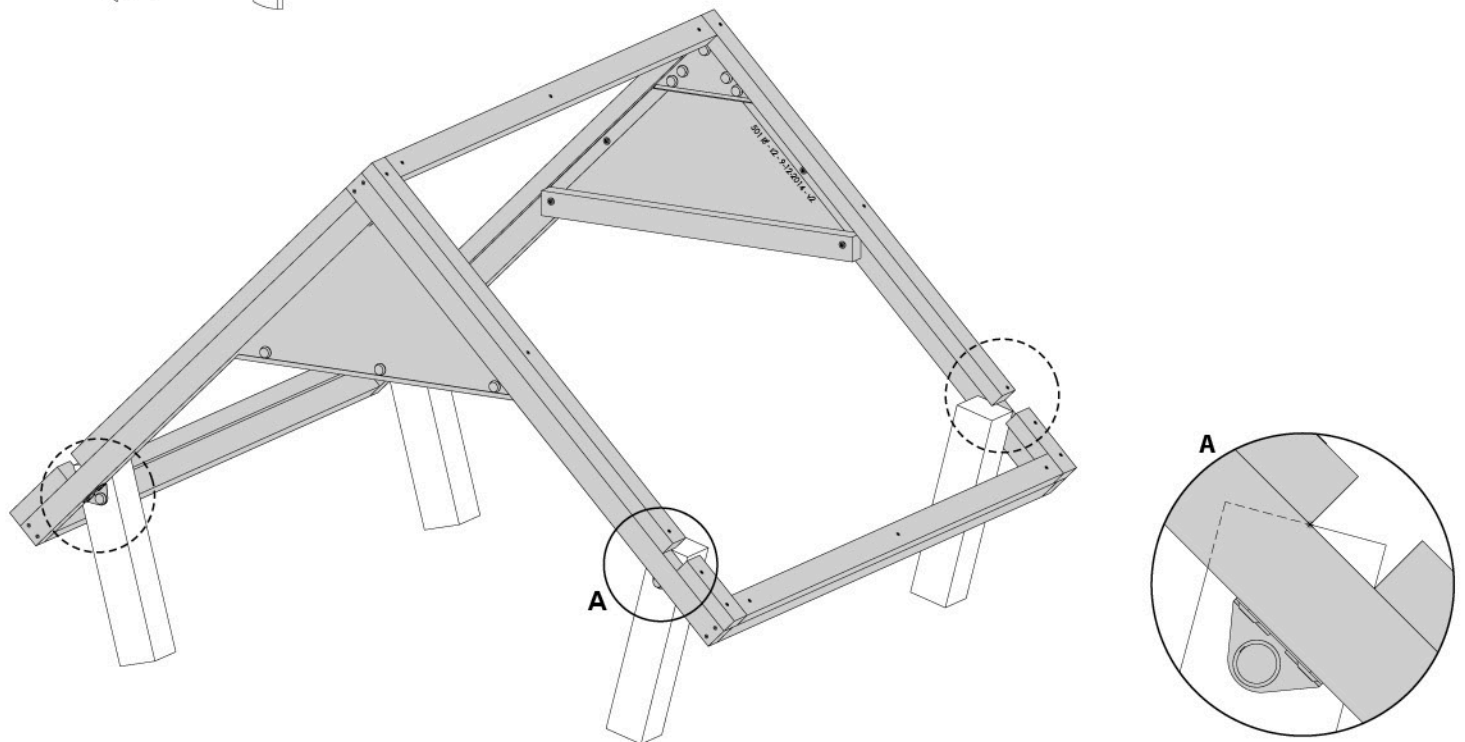
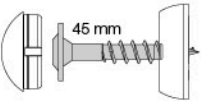
13i

9x 80 mm



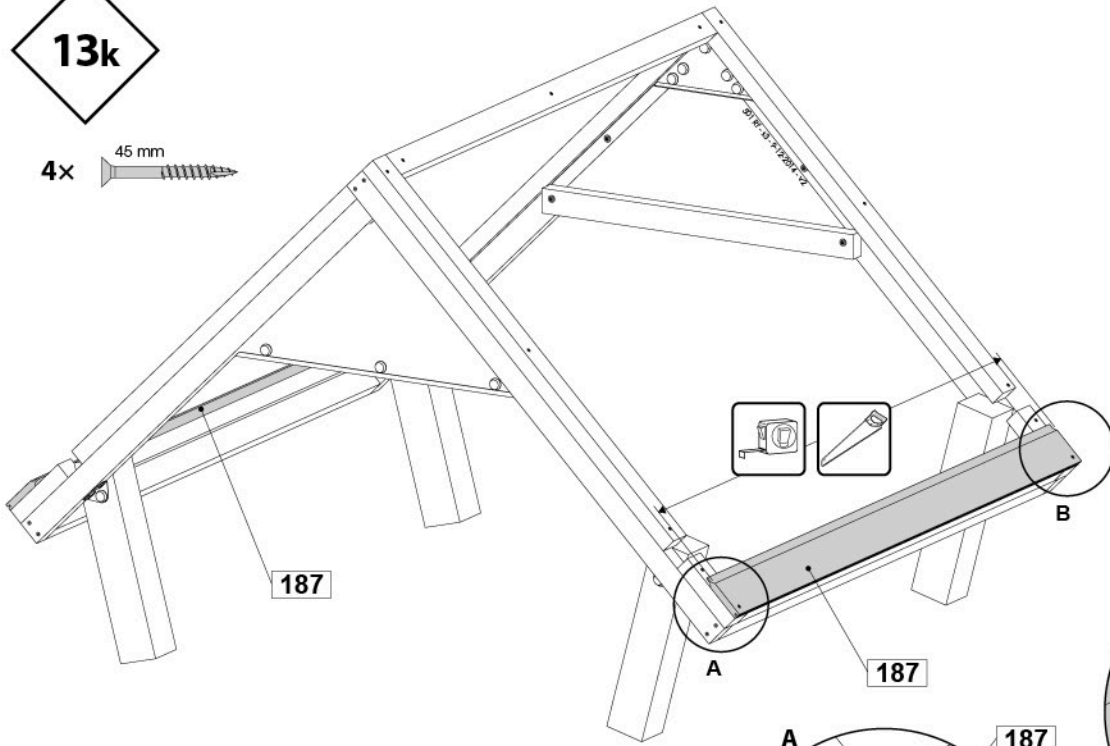
13j

4x 45 mm



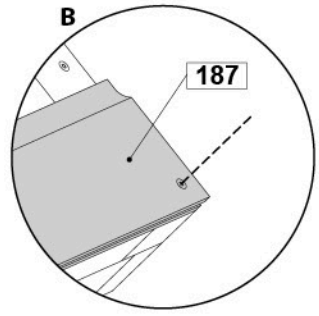
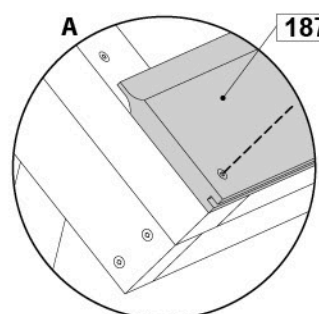
13k

4x 45 mm

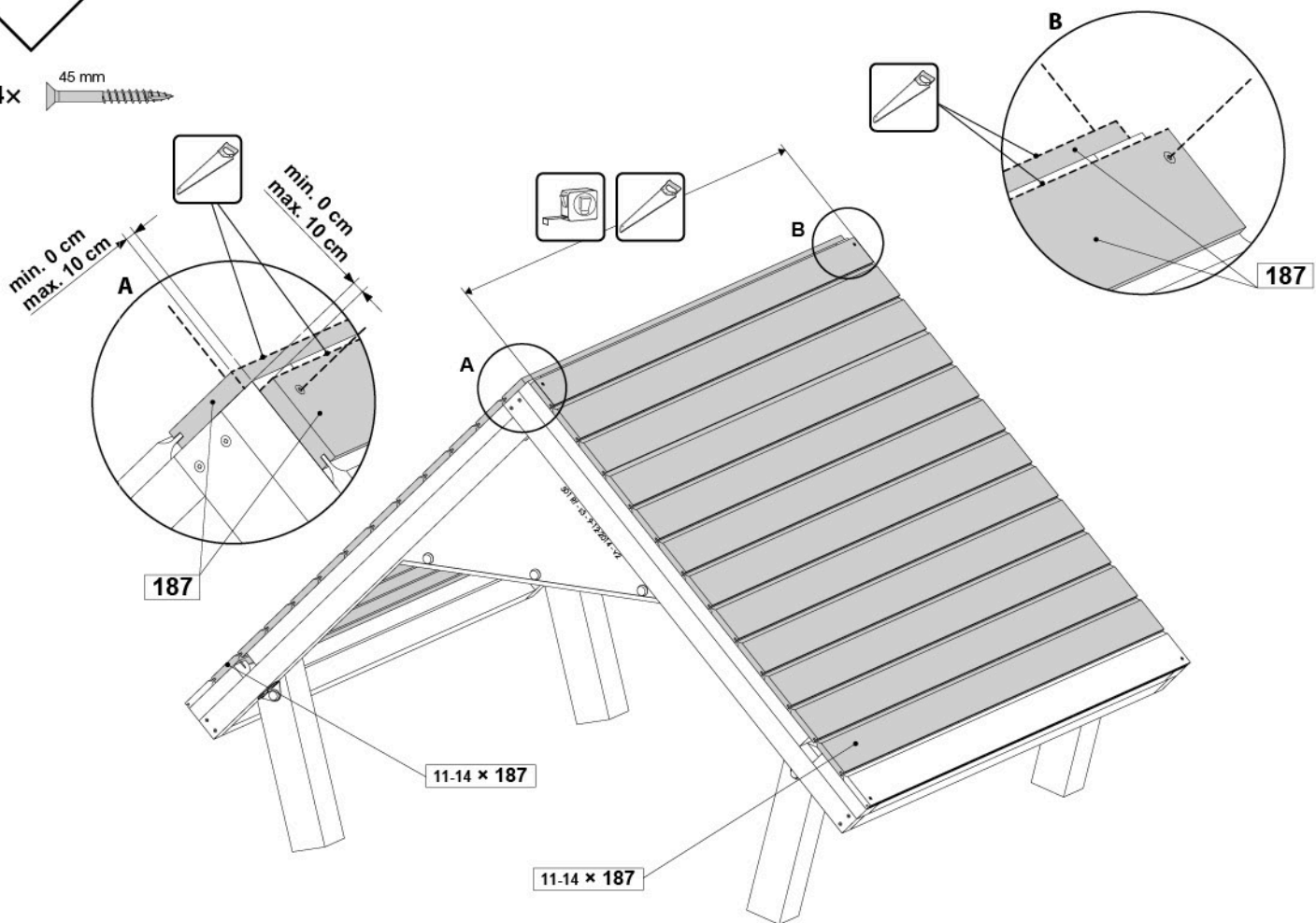
187

187



13L

4x 45 mm

min. 0 cm
max. 10 cm

min. 0 cm
max. 10 cm

187

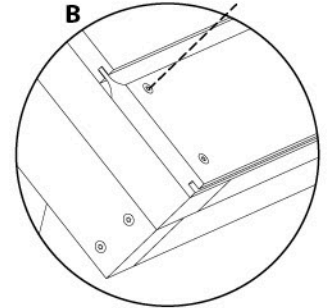
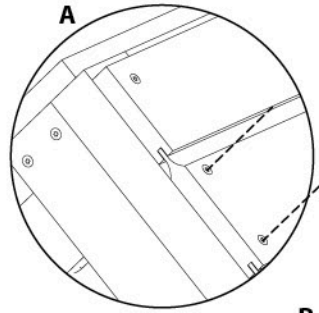
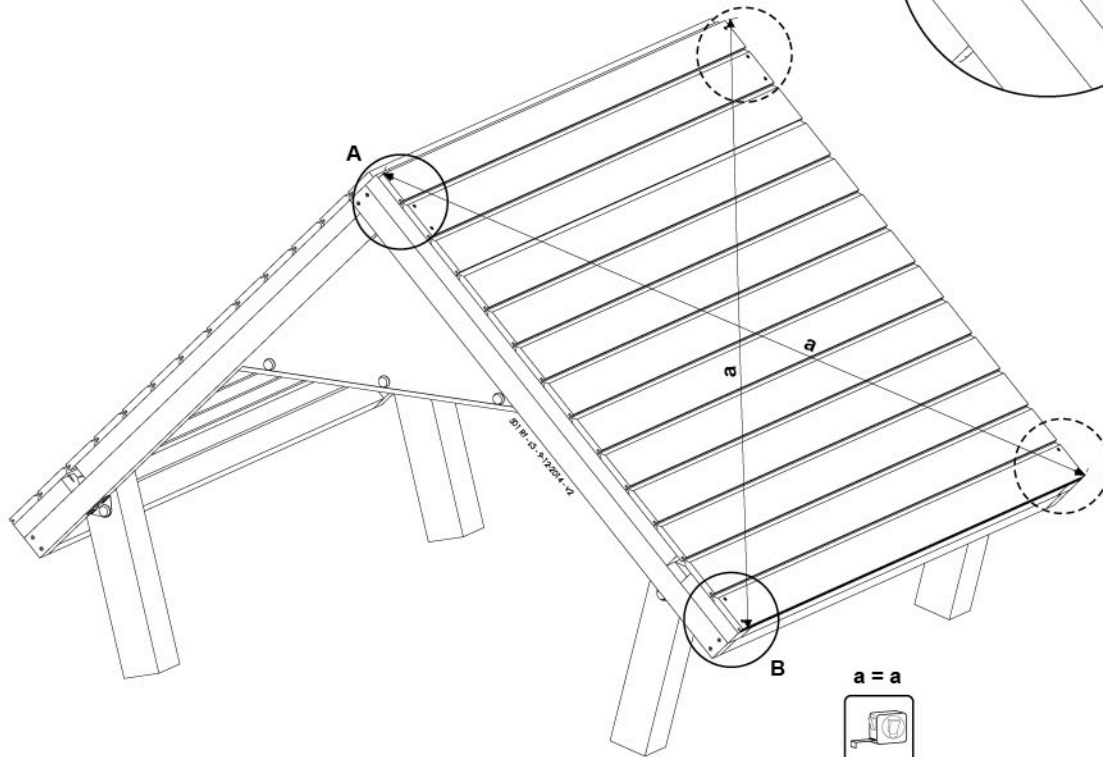
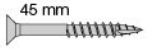
187

11-14 x 187

11-14 x 187

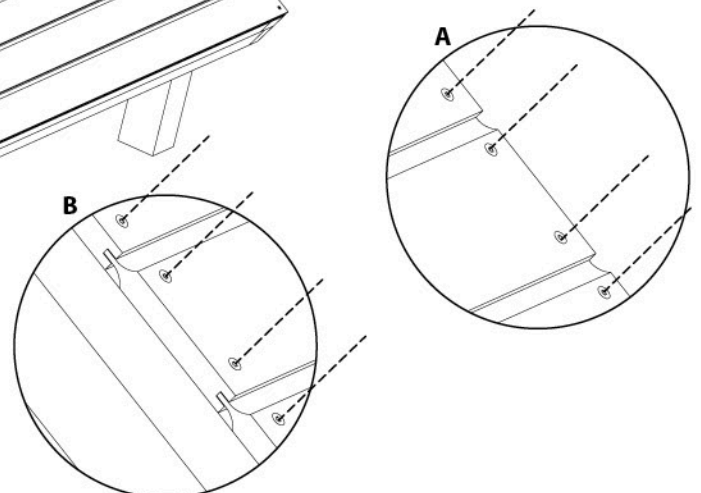
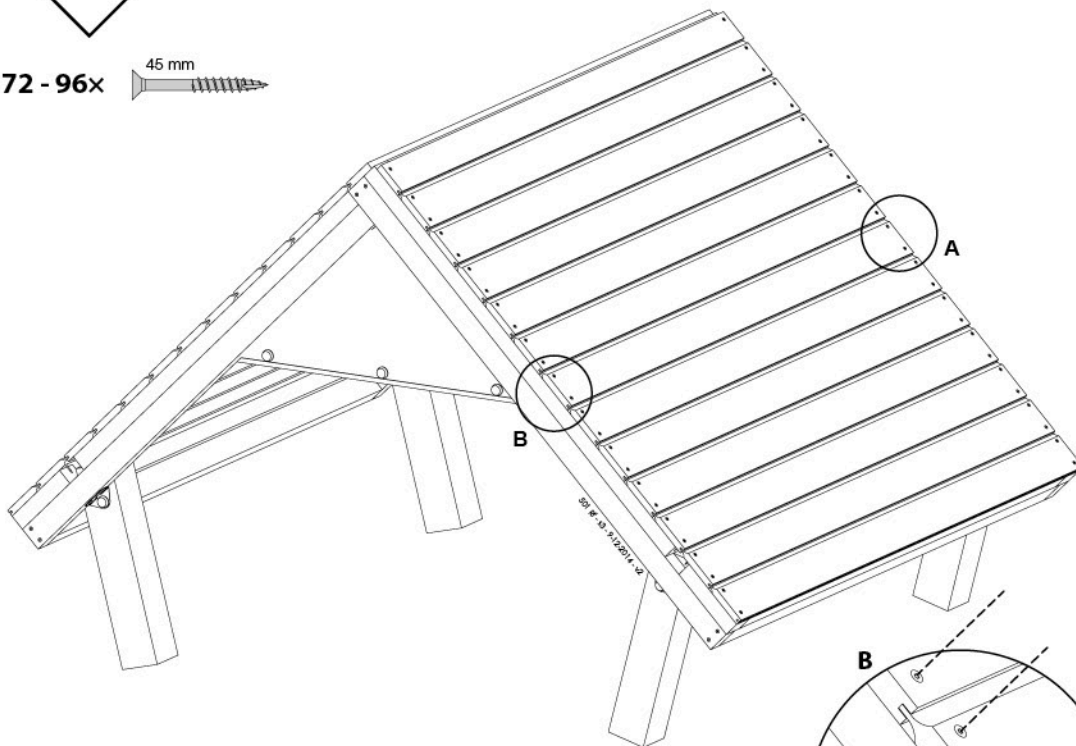
13m

12x 45 mm



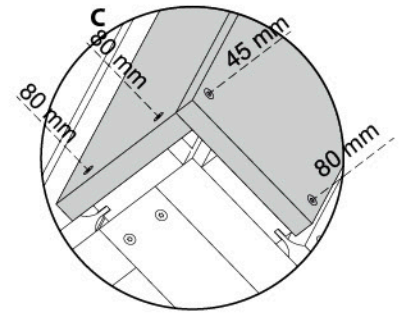
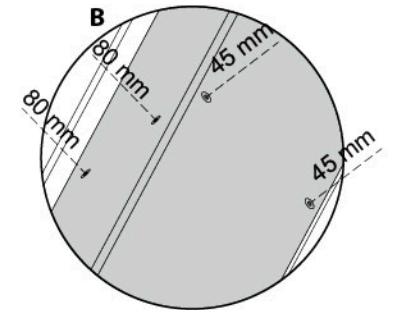
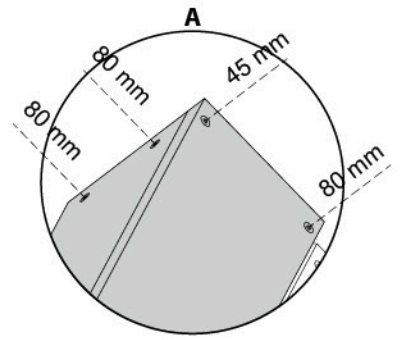
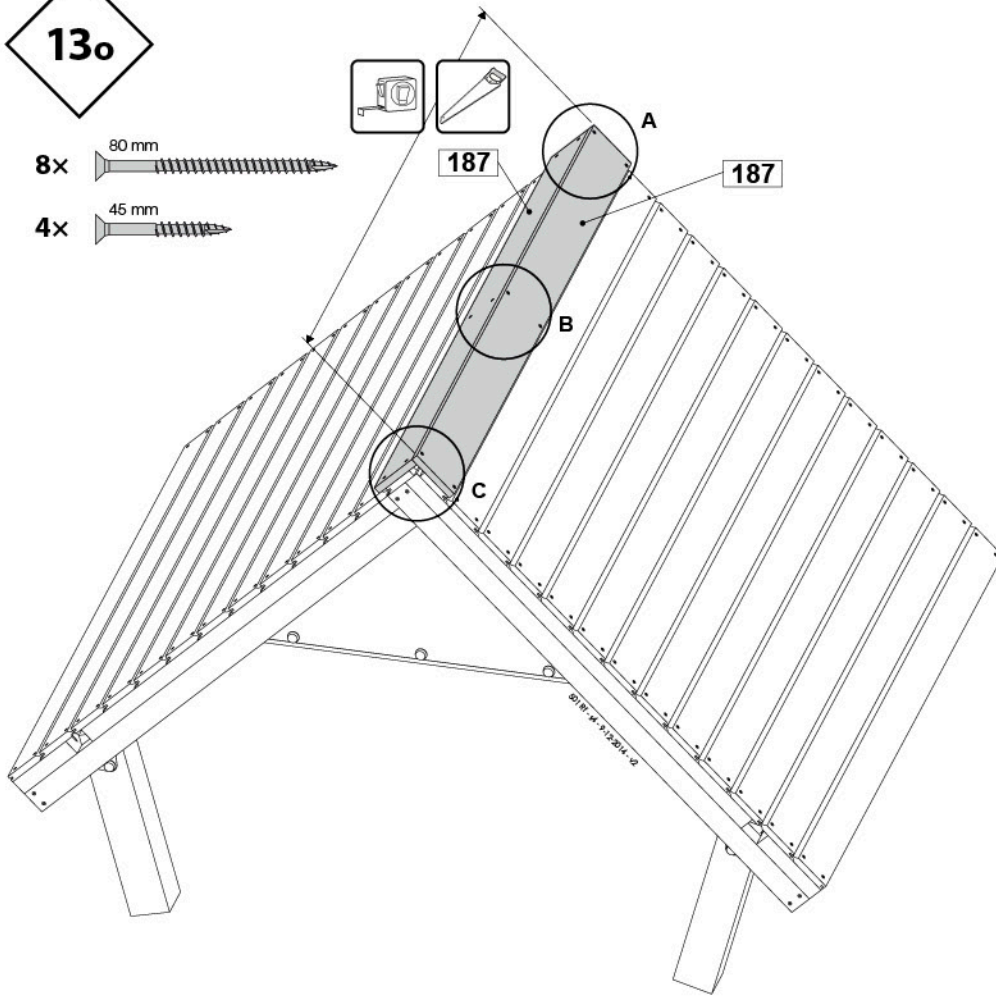
13n

72 - 96x 45 mm



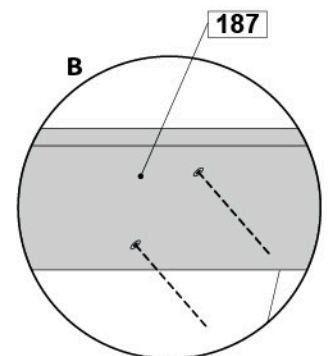
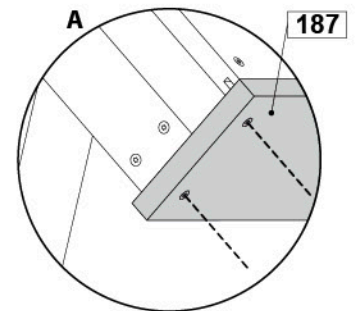
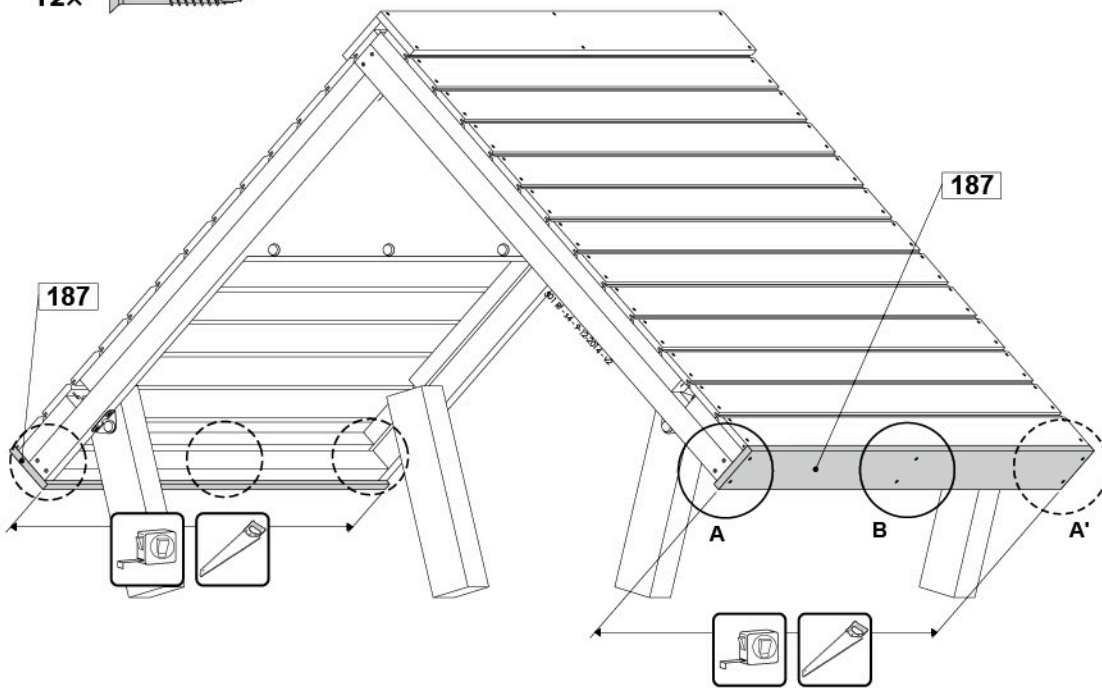
13o

- 8x 80 mm
- 4x 45 mm



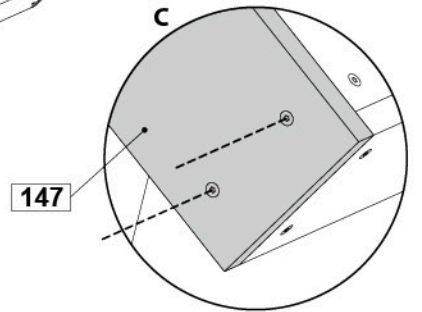
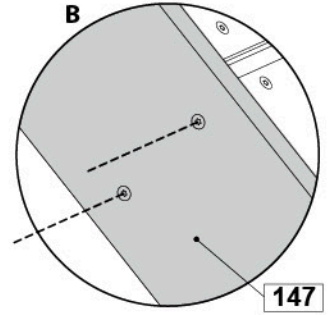
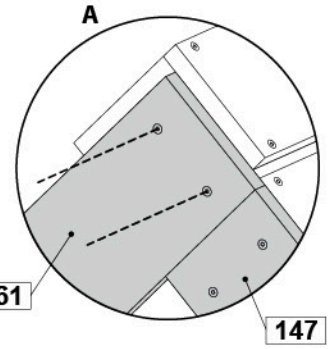
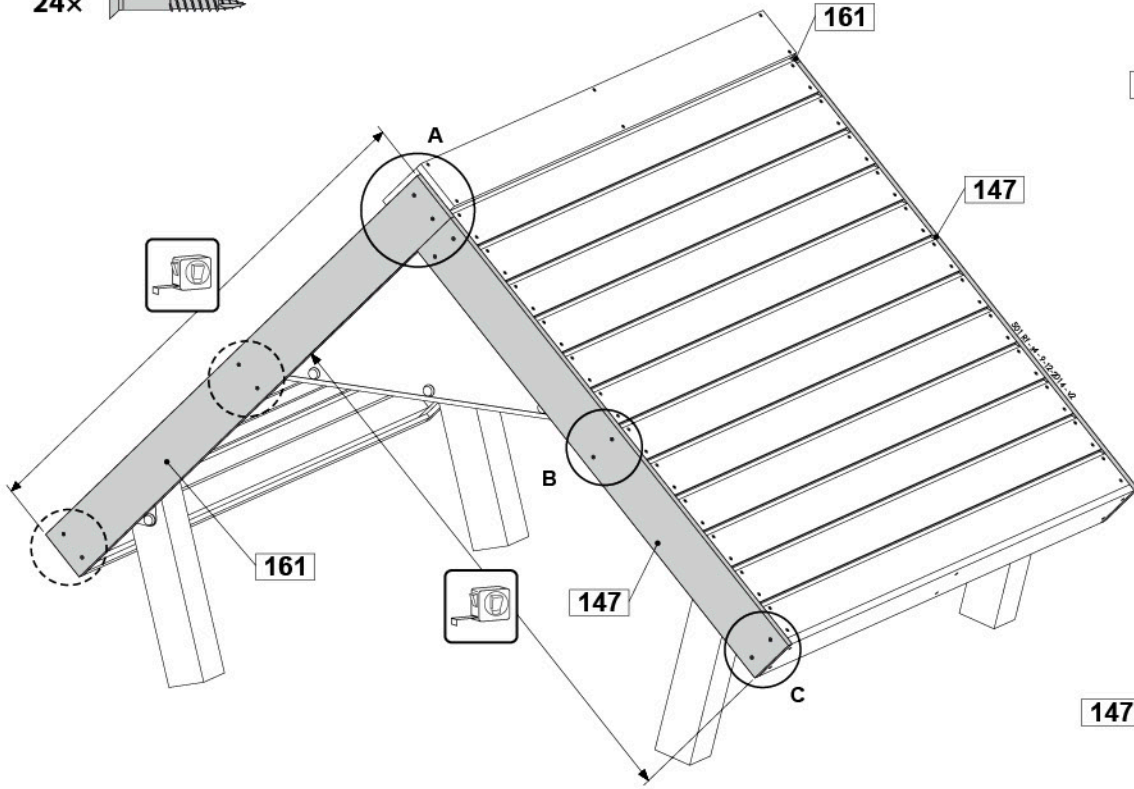
13p

- 12x 45 mm



13q

24x 45 mm

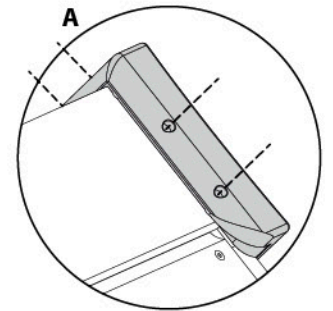
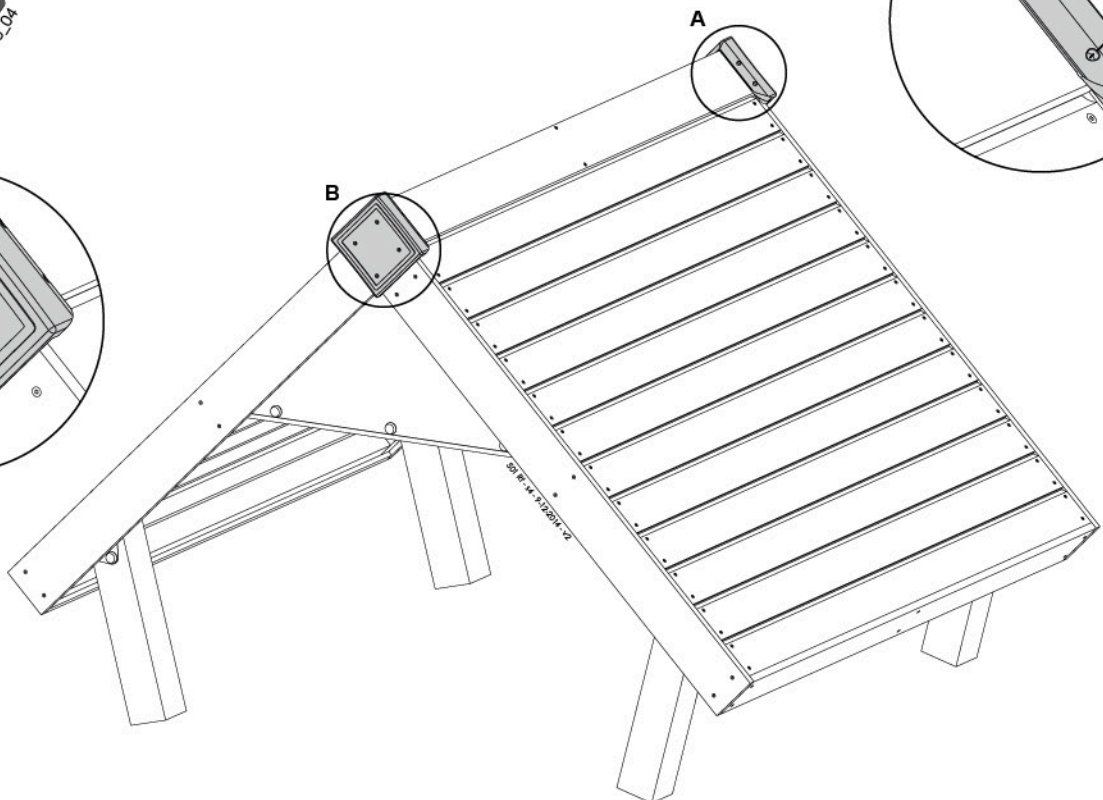
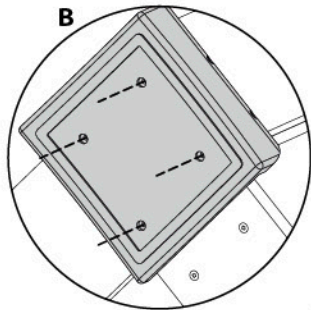



13r

16x 45 mm

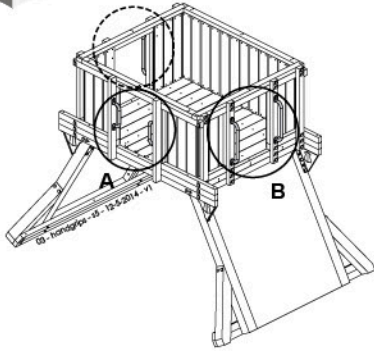


2x

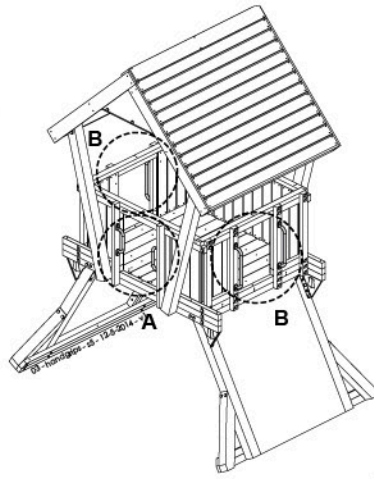


14

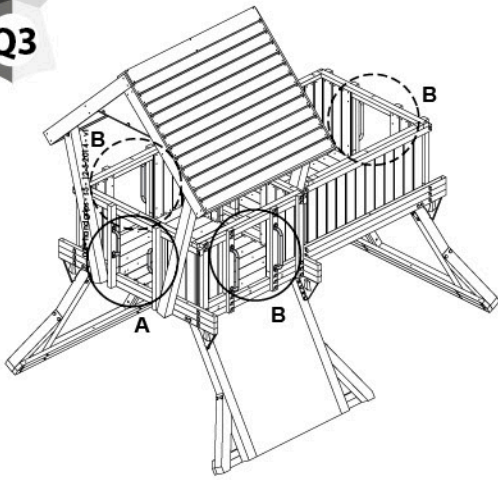
Q1



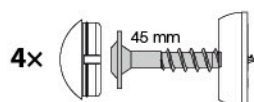
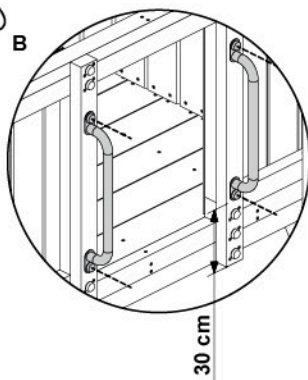
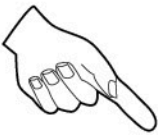
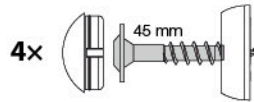
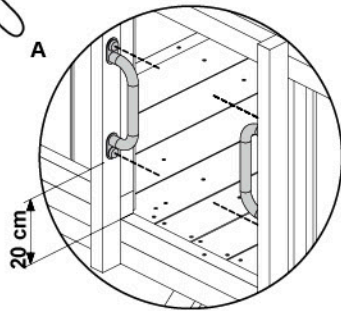
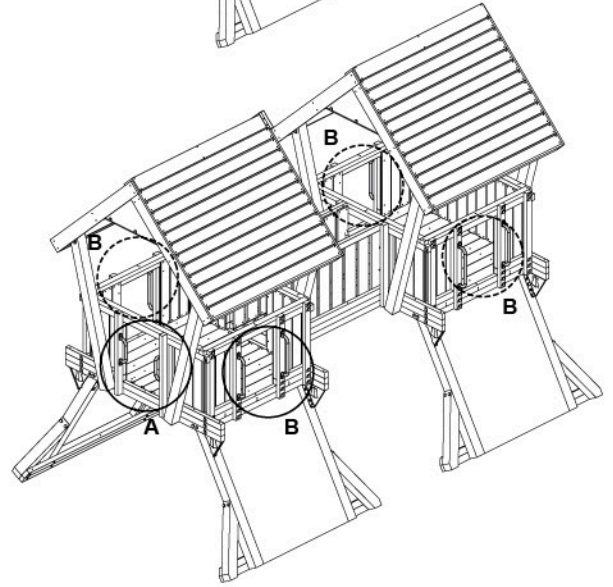
Q2



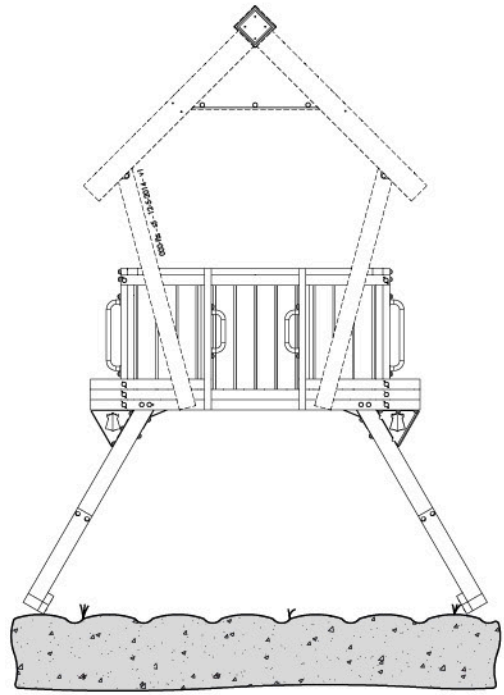
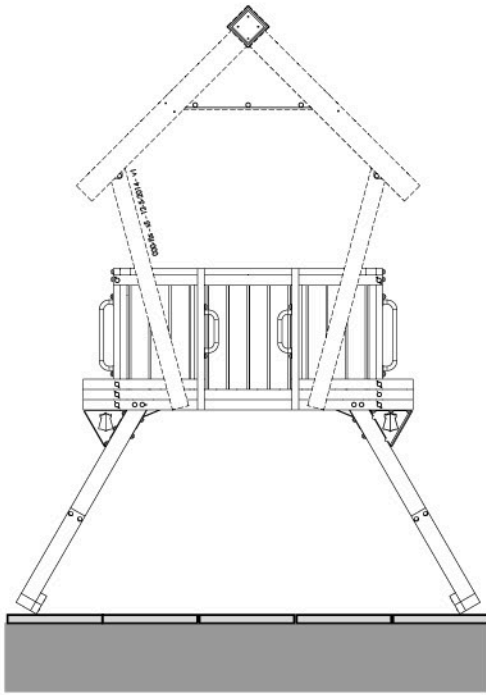
Q3



Q4



15



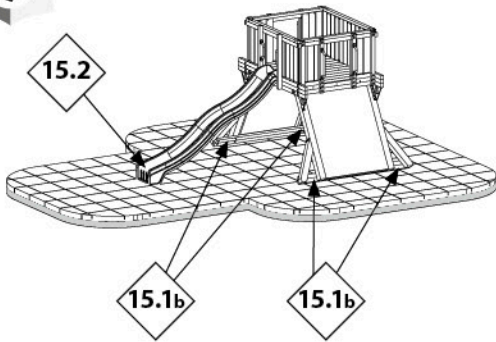
15.1



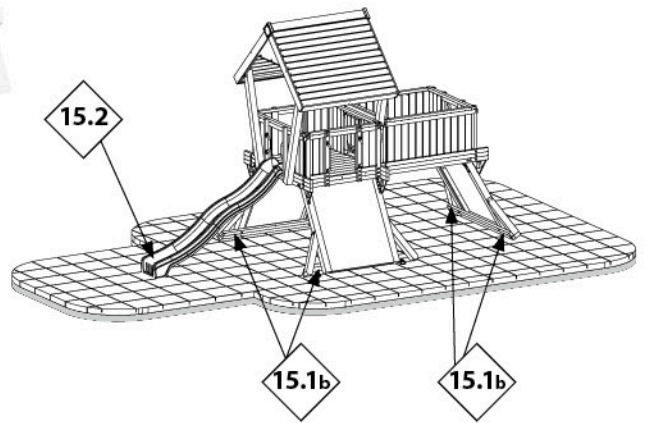
15.3

15.1a

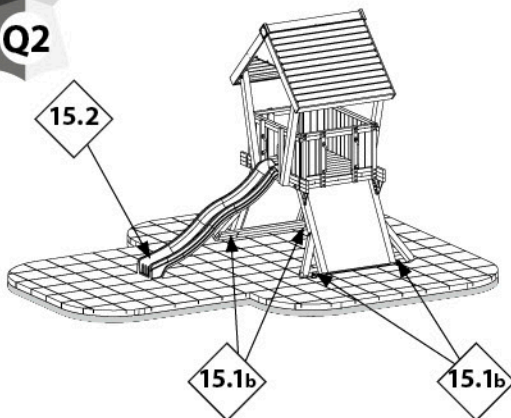
Q1



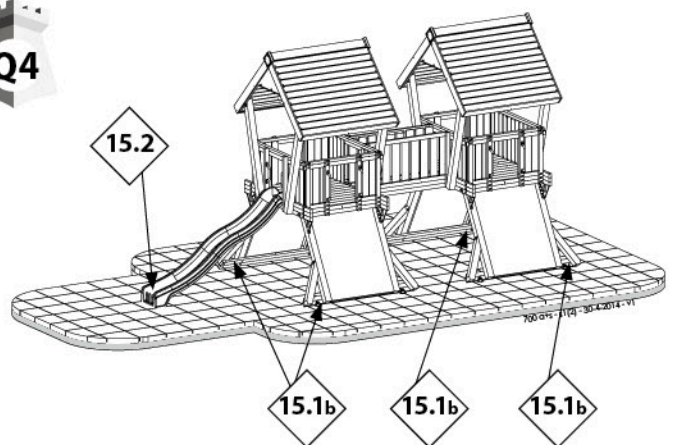
Q3



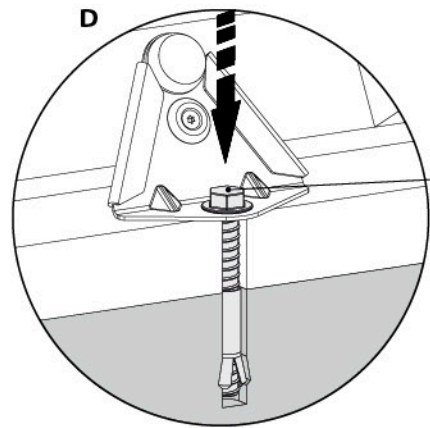
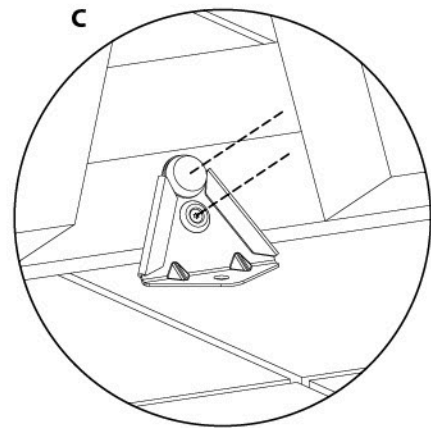
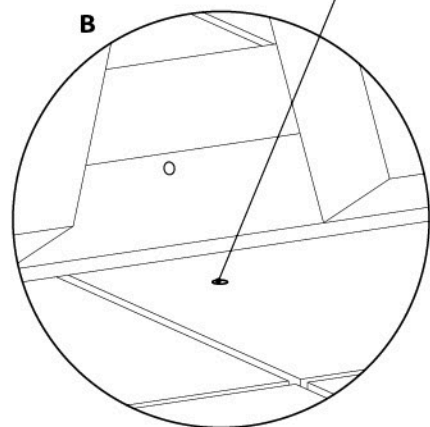
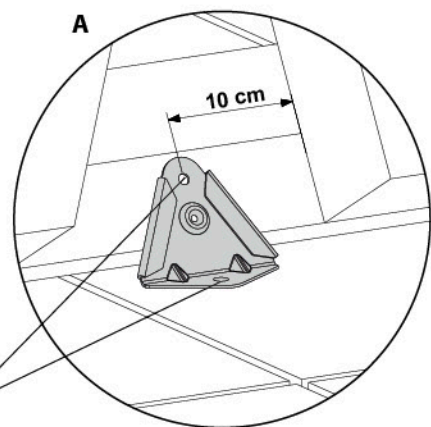
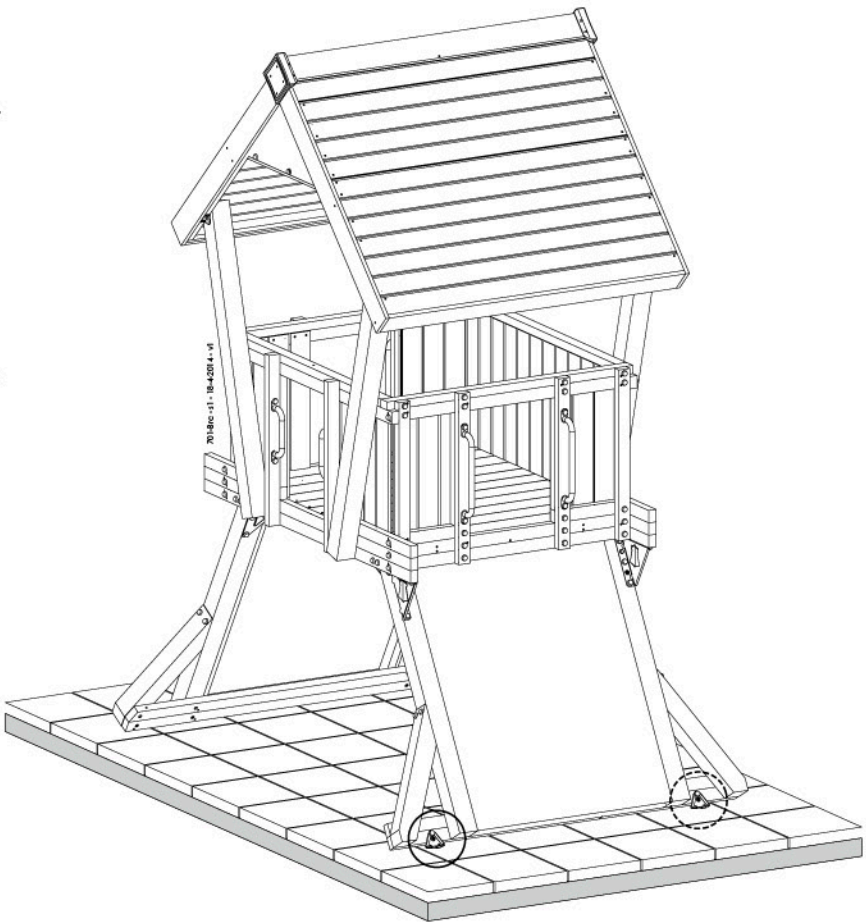
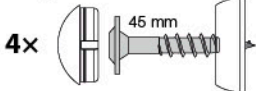
Q2



Q4



15.1b



Part 1



15

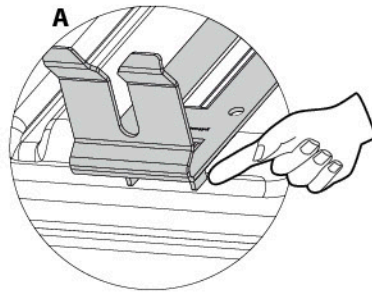
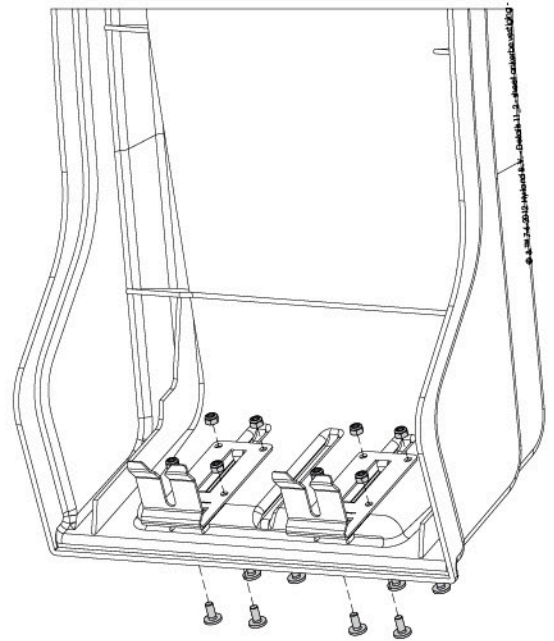
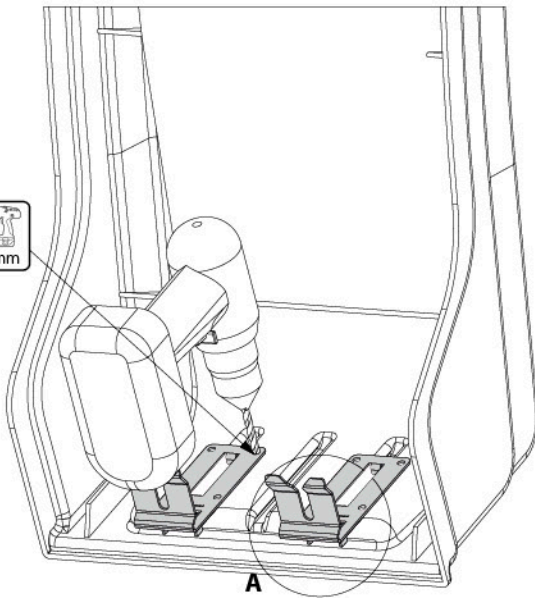


15.2a

8x 18 mm M8

2x 10_032_5013_225_01

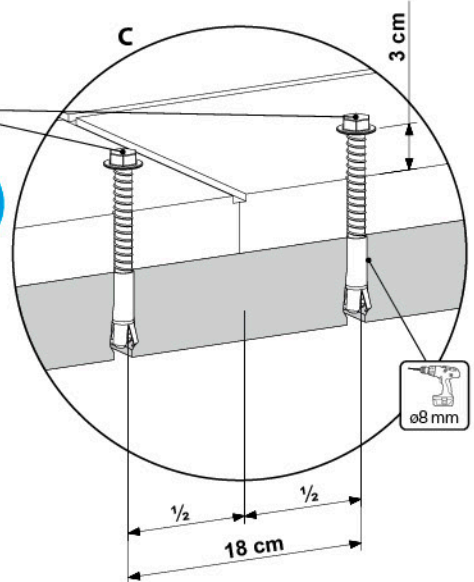
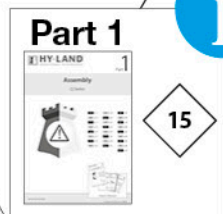
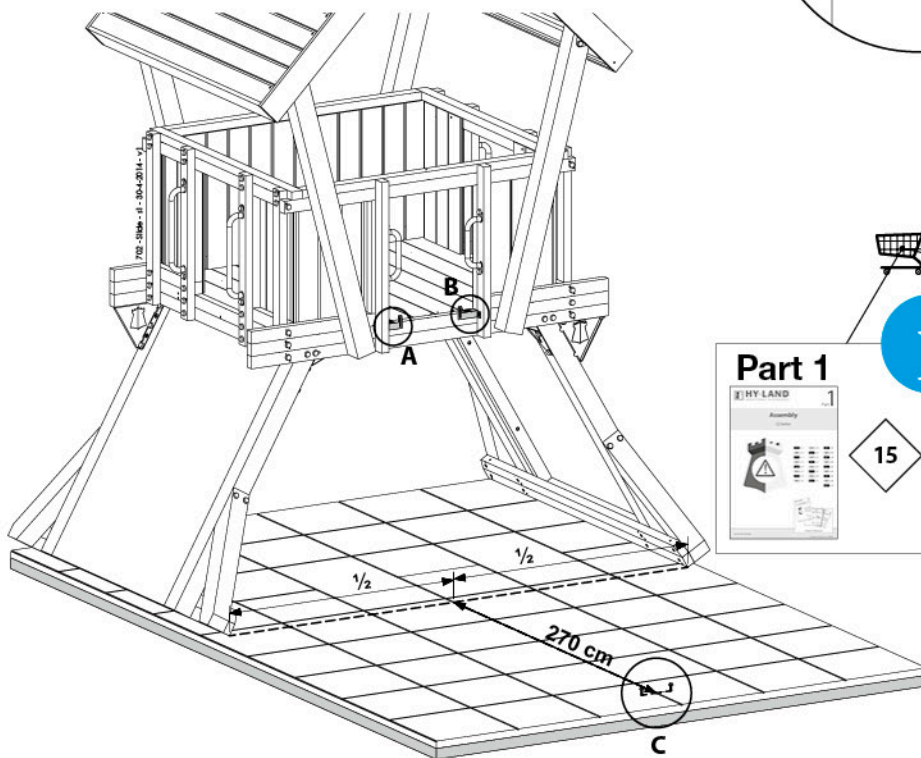
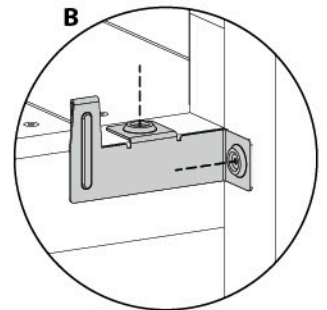
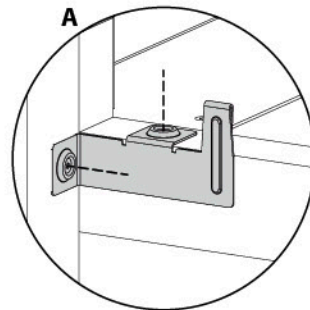
8x ø8 mm



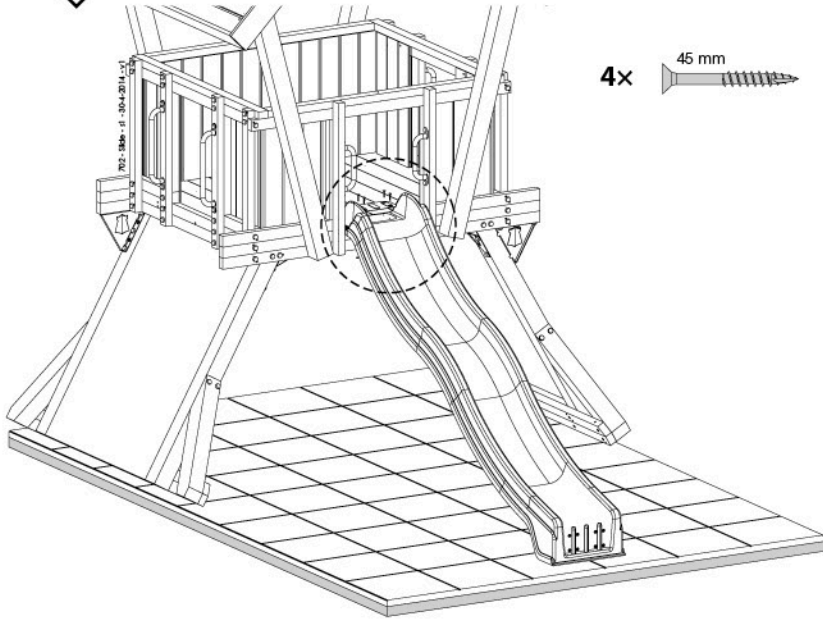
15.2b

4x 20 mm

1x 10_030_5042_116_04 1x 10_030_5042_216_04

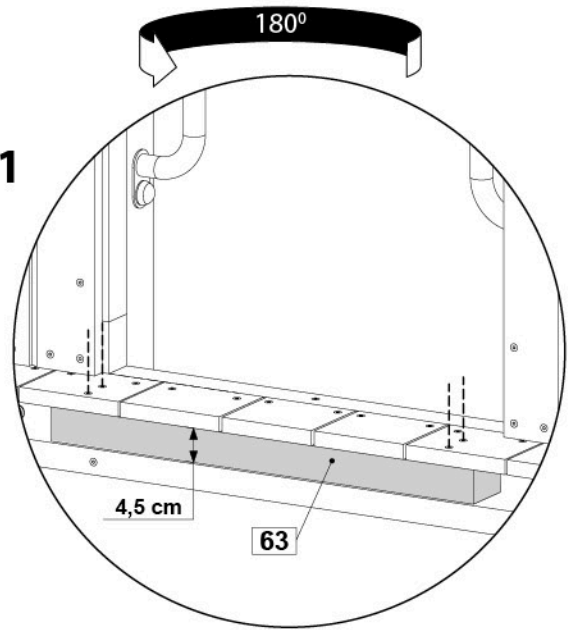


15.2c



4x 45 mm

1

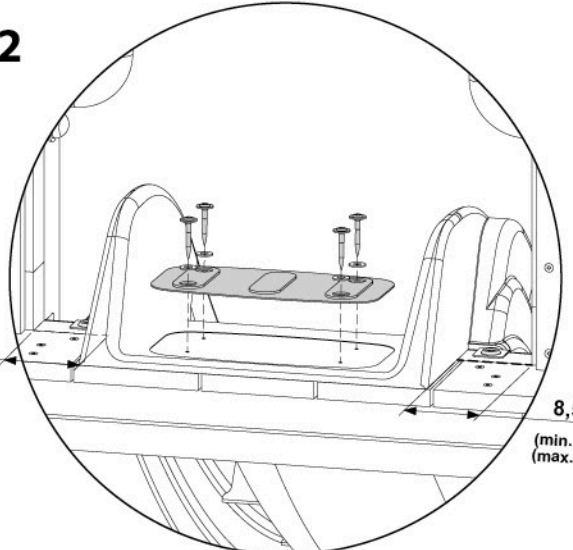


4,5 cm

63



2



8,5 cm
(min. 7,5 cm)
(max. 9,5 cm)

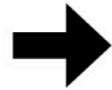
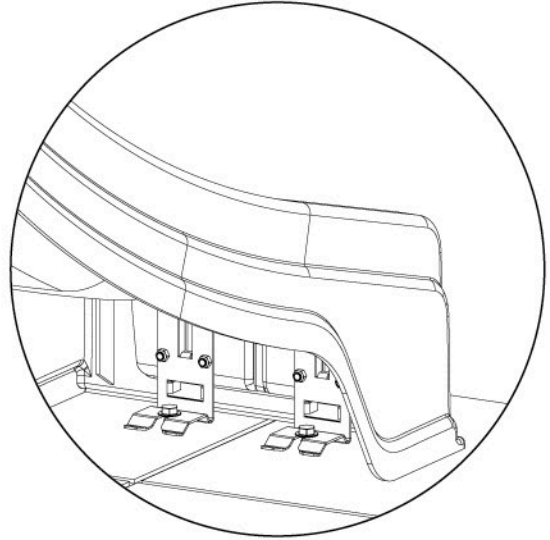
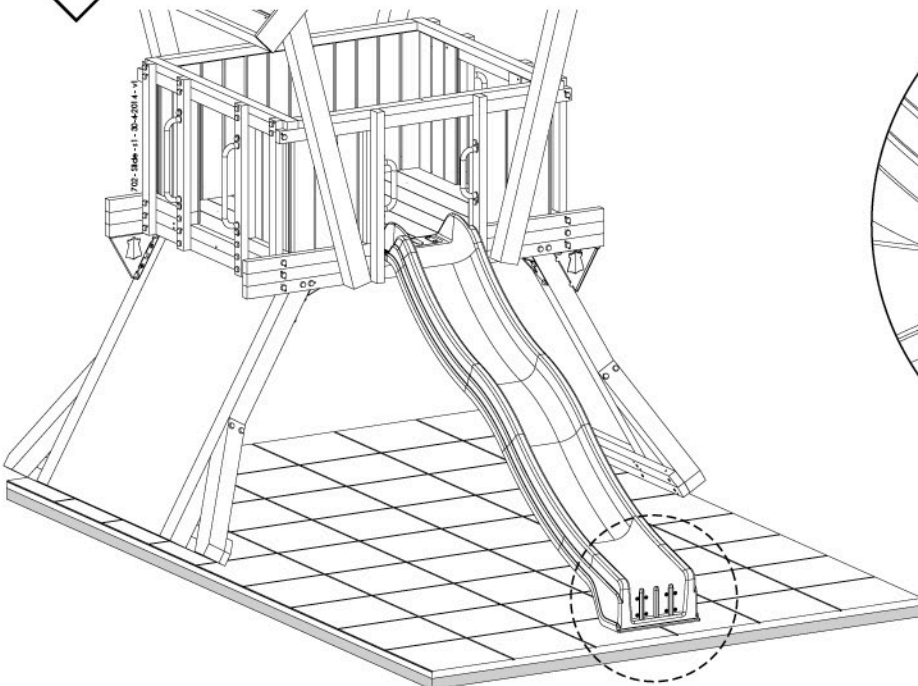
8,5 cm
(min. 7,5 cm)
(max. 9,5 cm)

4x 45 mm $\varnothing 19$ mm



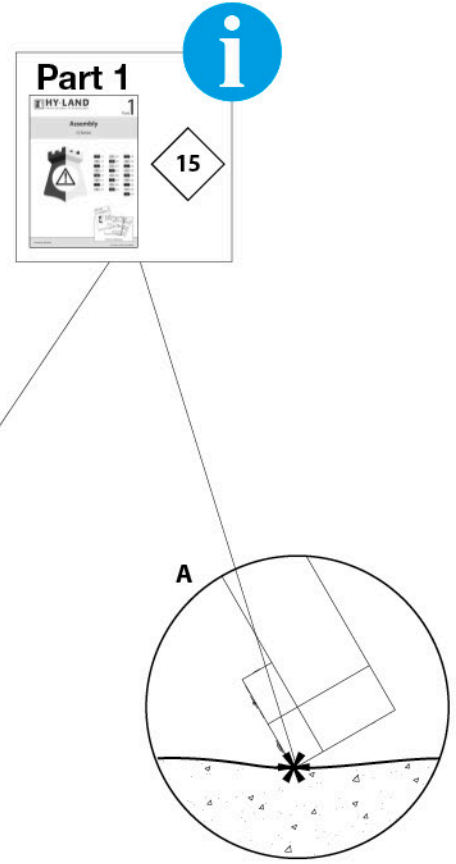
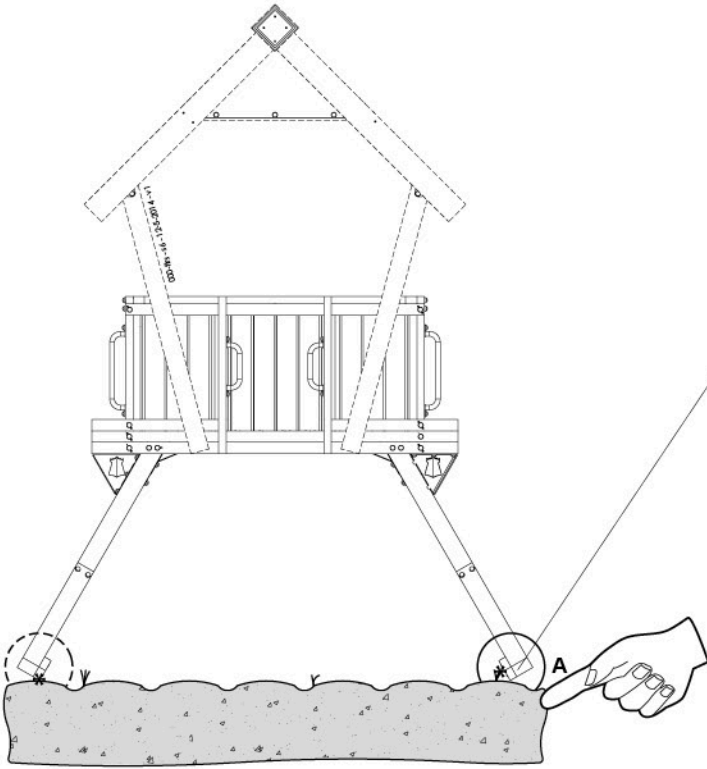
1x 10_026_5041_215_01

15.2d

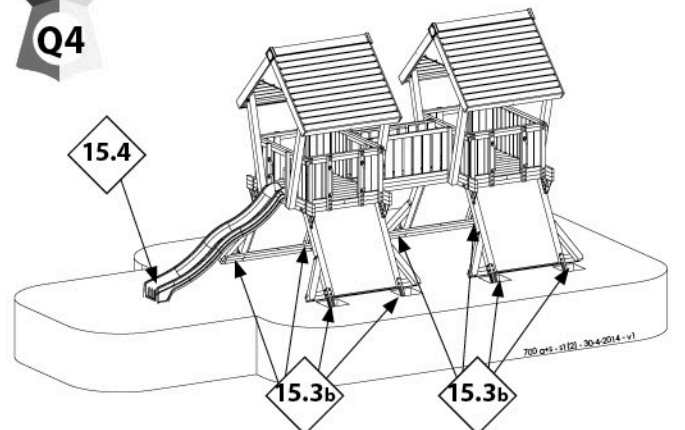
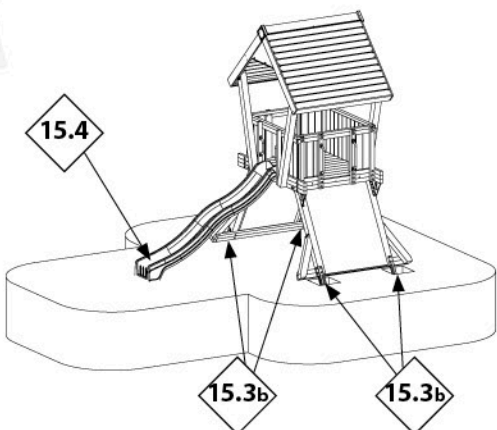
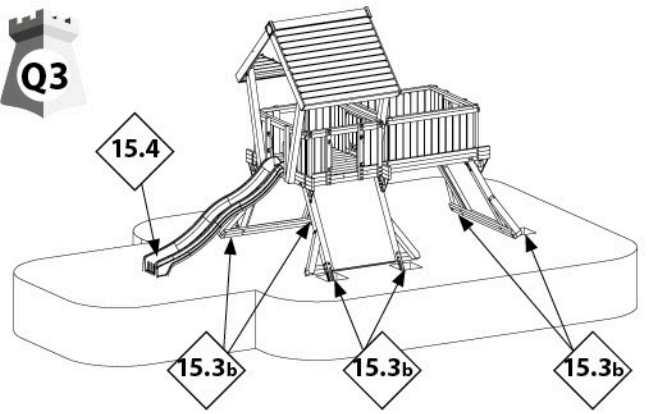
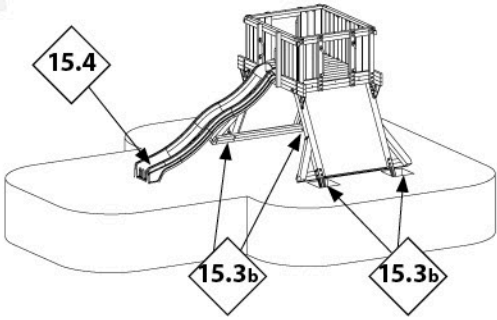


15

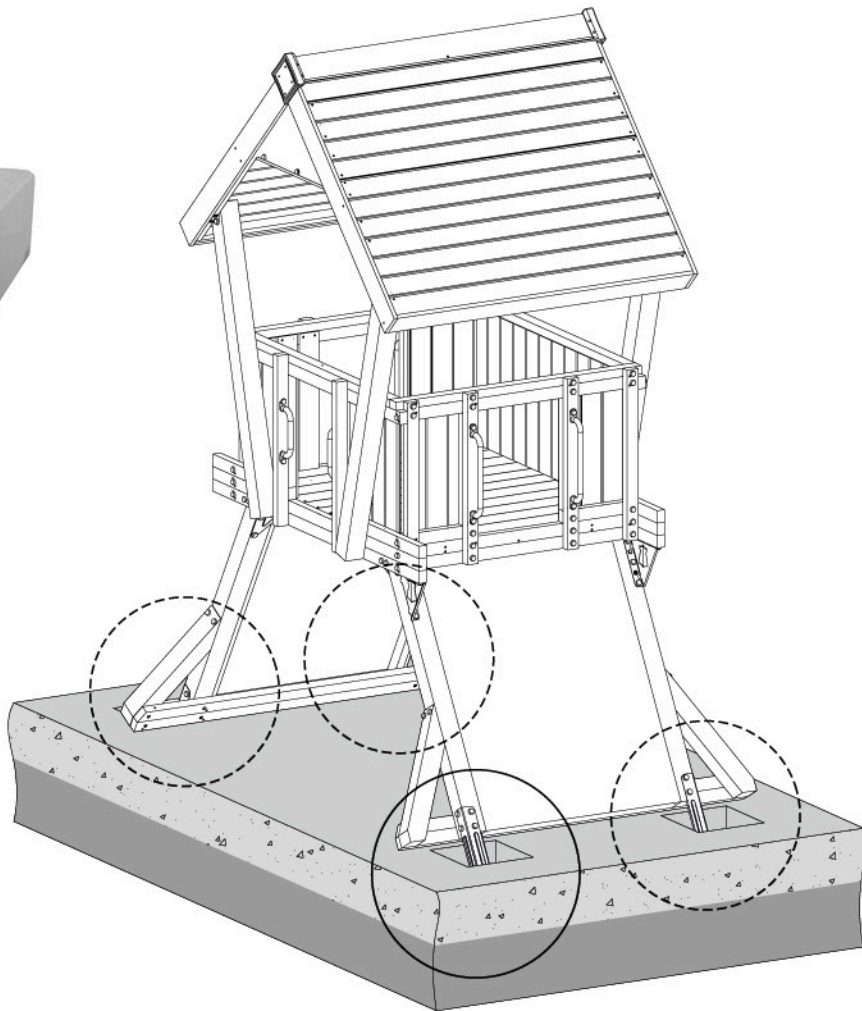
15.3



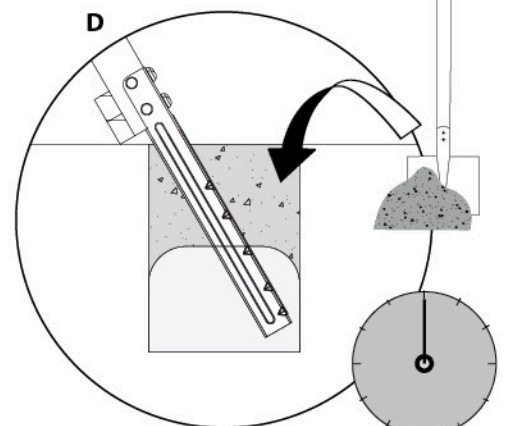
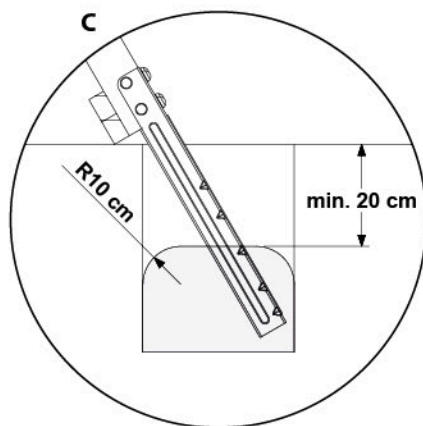
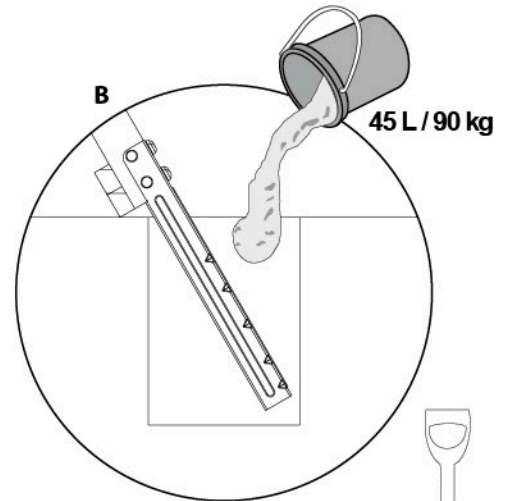
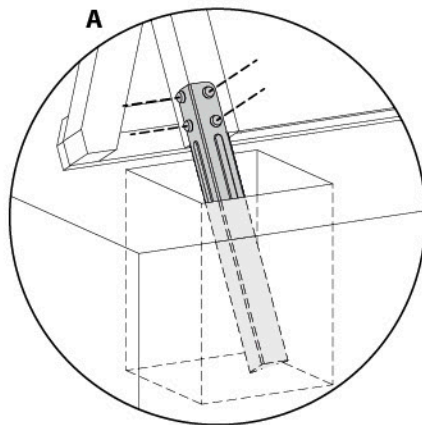
15.3a



15.3b



- Q1** 4x 45 L / 90 kg
- Q2** 4x 45 L / 90 kg
- Q3** 6x 45 L / 90 kg
- Q4** 8x 45 L / 90 kg



24^h

15.4a

2x

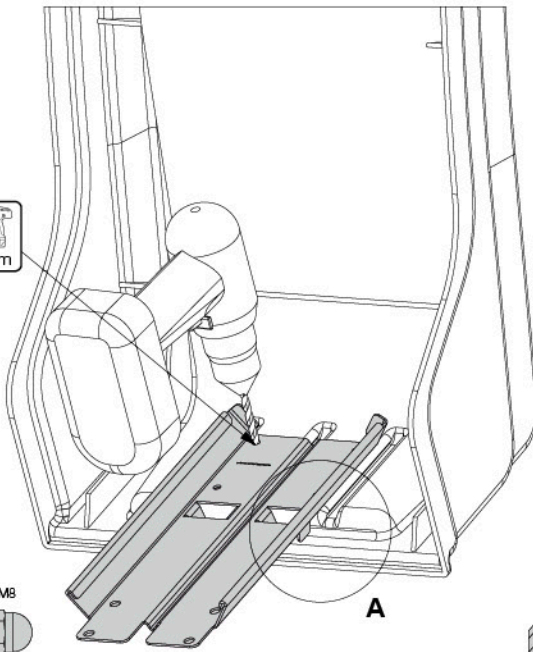


10_032_5012_425_01

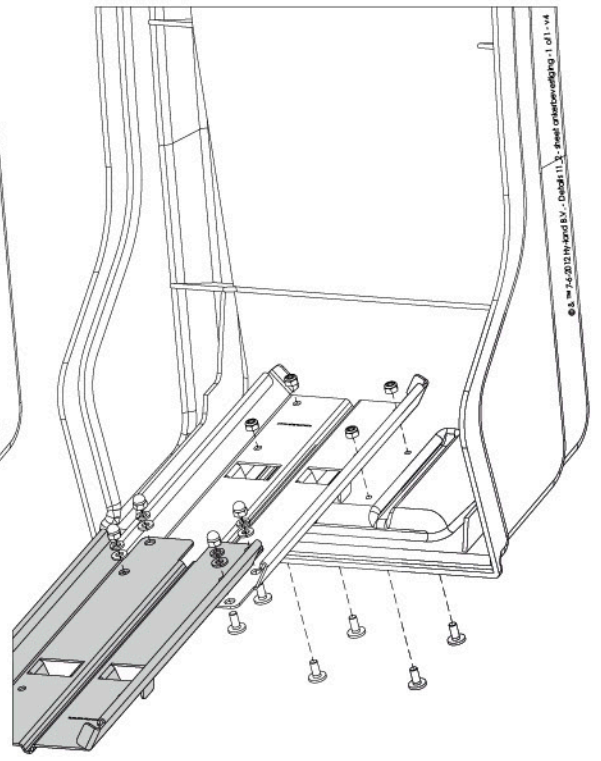
4x



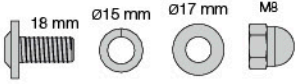
ø8 mm



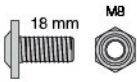
A



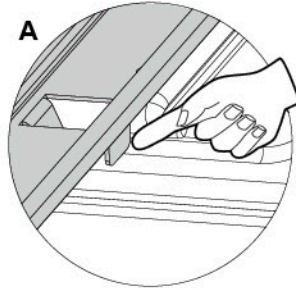
4x



4x



A



15.4b

4x



20 mm

1x



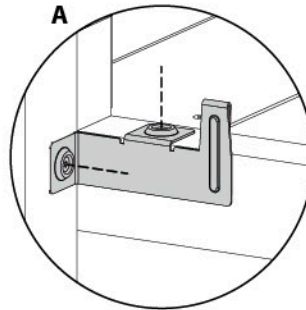
10_030_5042_116_04

1x

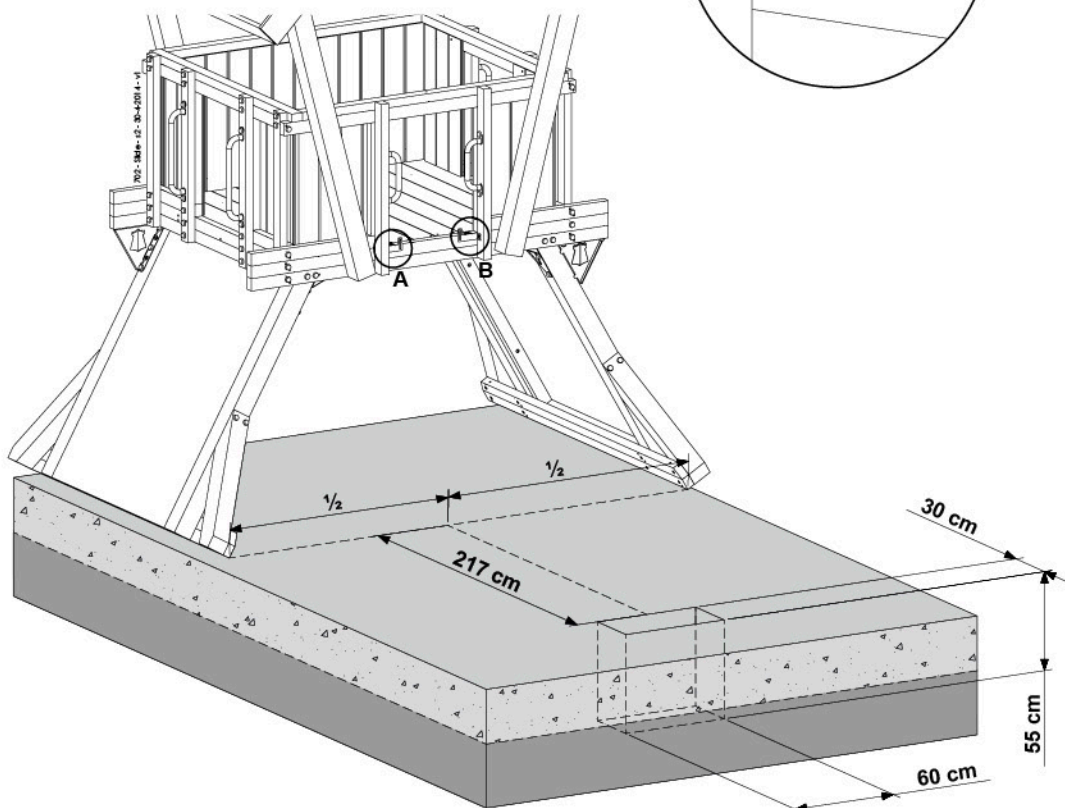
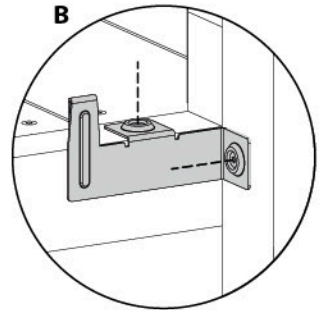


10_030_5042_216_04

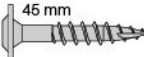



A

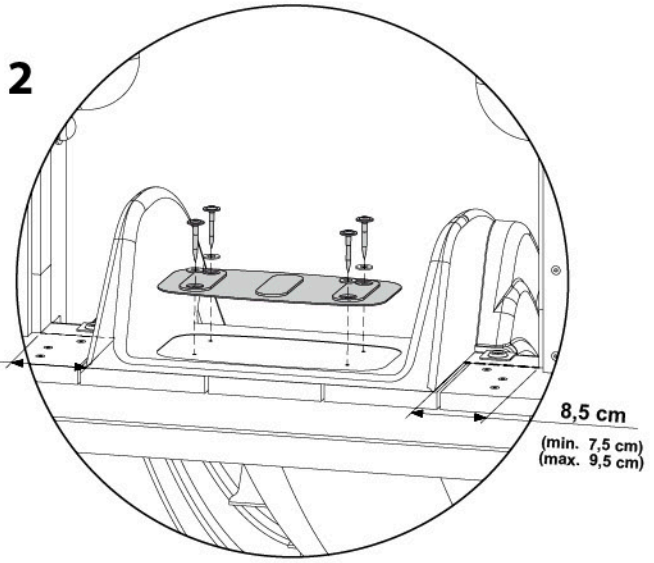
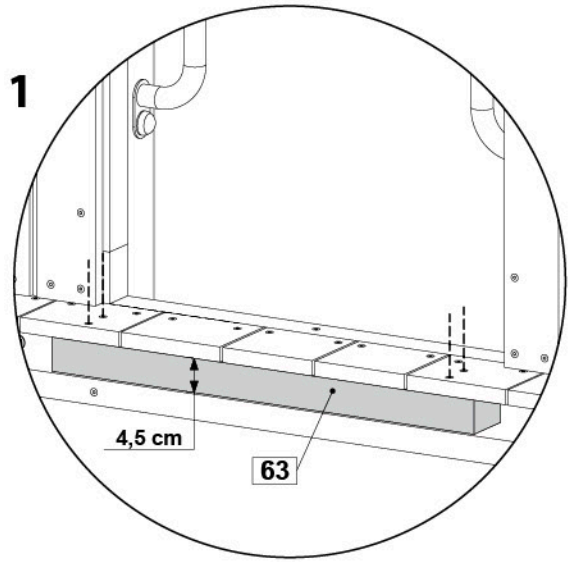
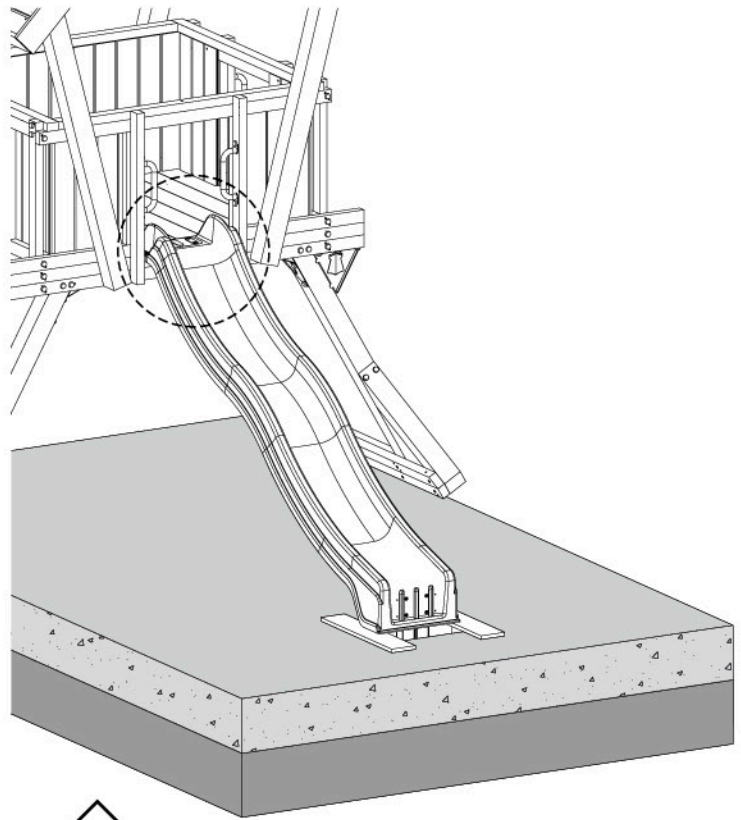


B

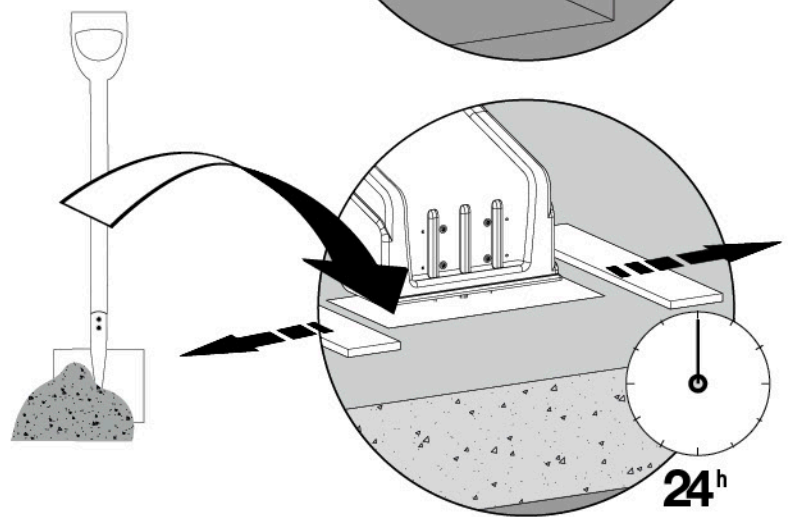
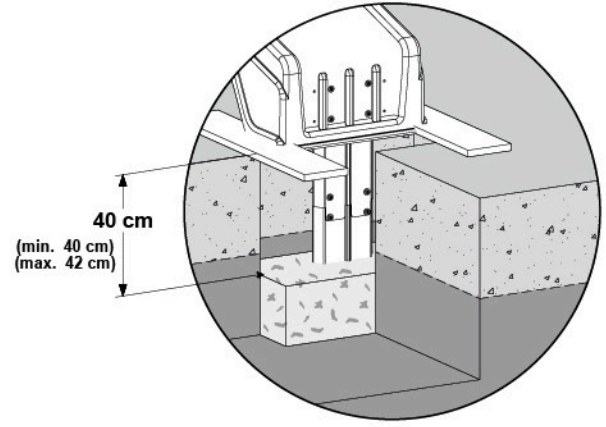
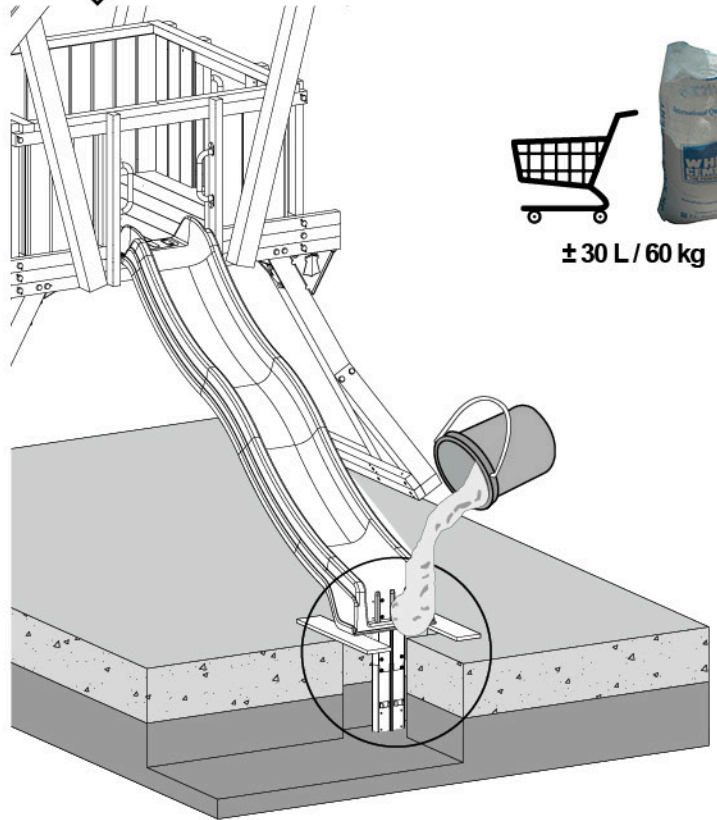


15.4c

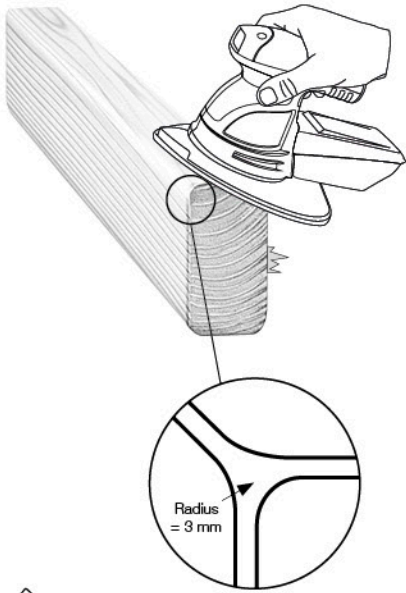
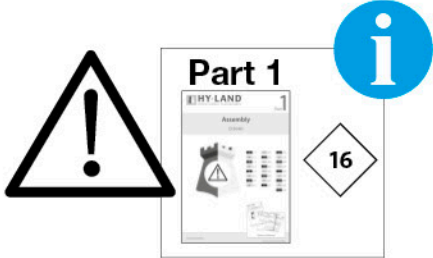
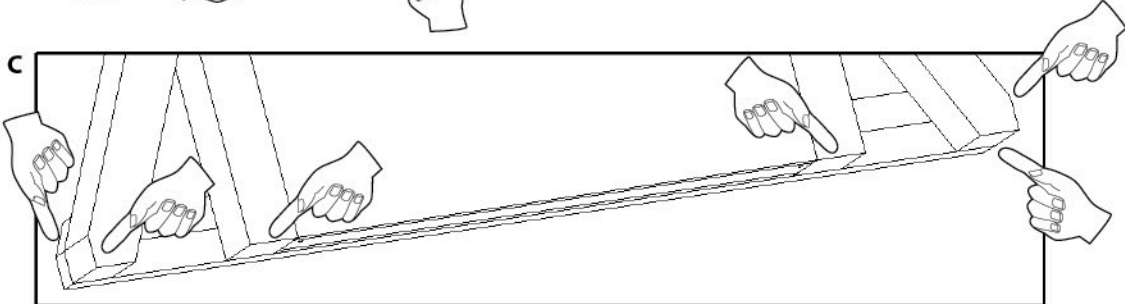
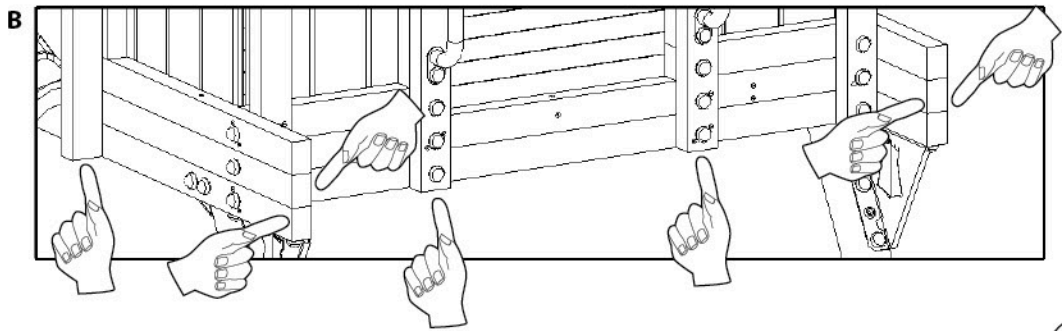
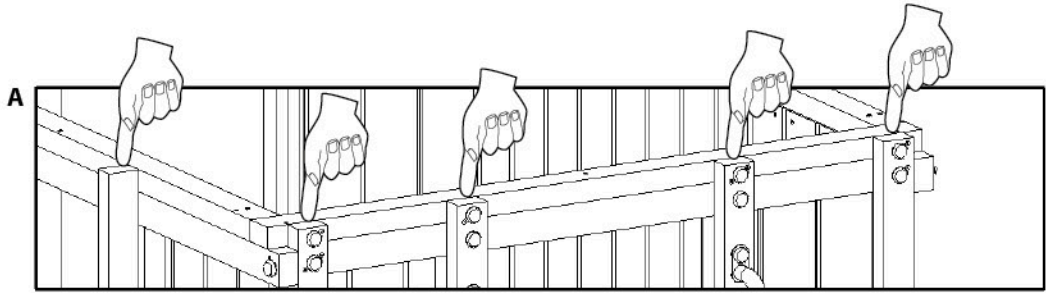
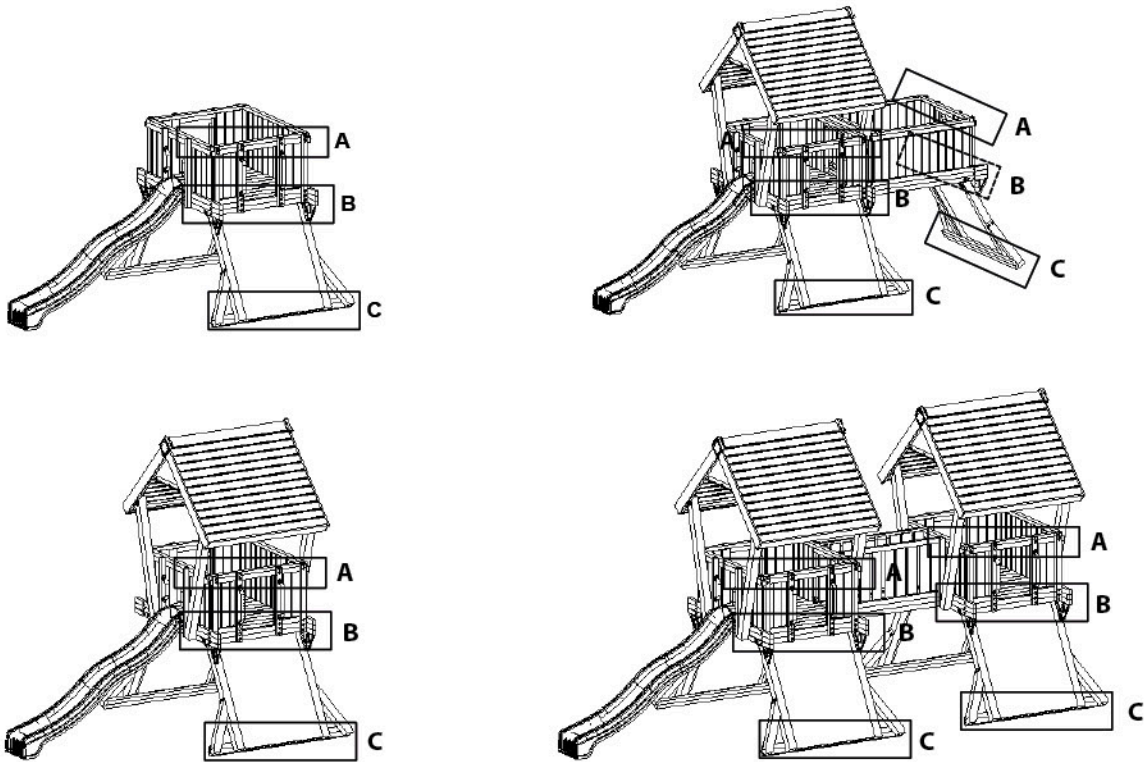
- 4x 45 mm 
- 1x  Ø19 mm
- 1x  10_026_5041_215_01
- 4x 45 mm 



15.4d

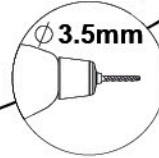
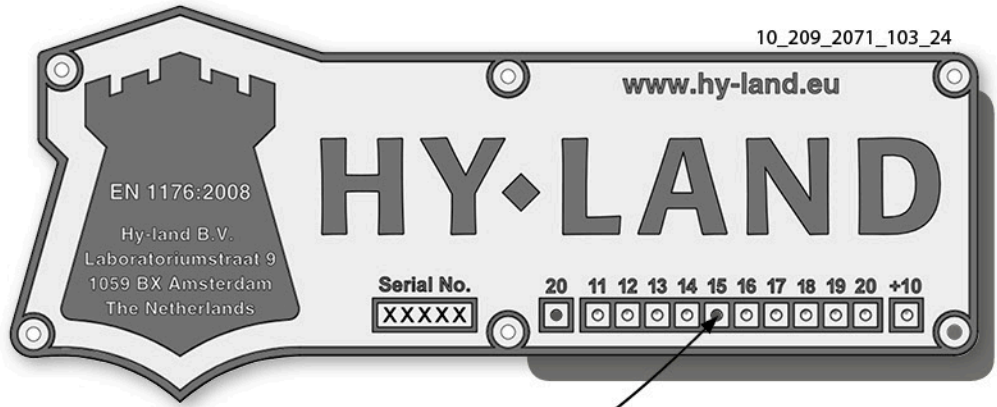
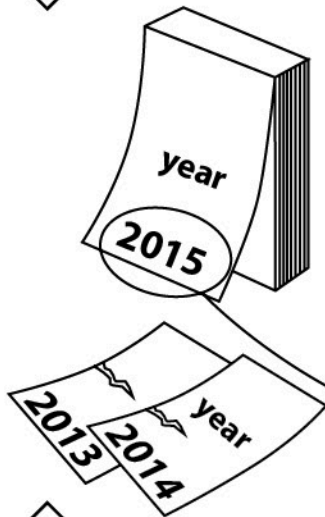


16.1



16.2a

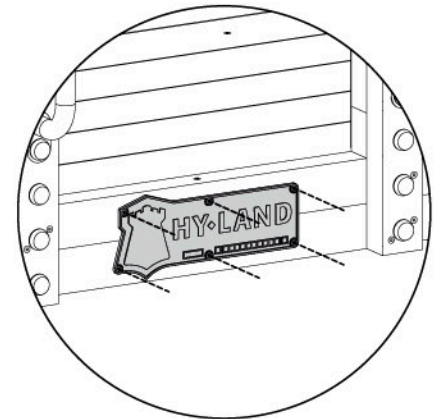
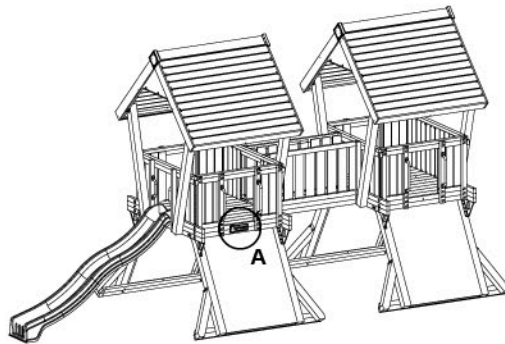
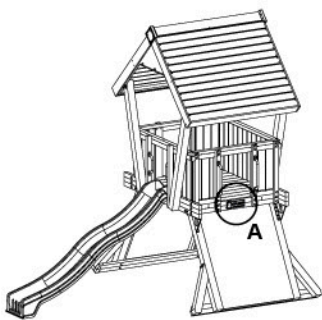
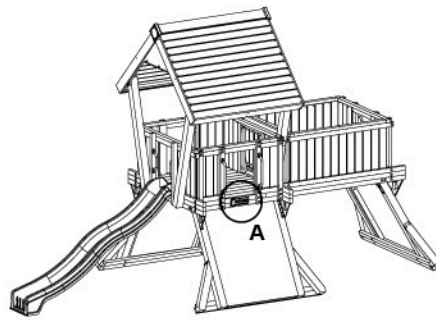
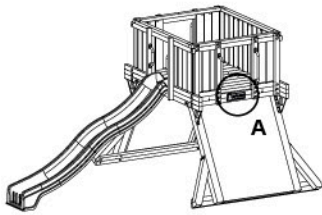
10_209_2071_103_24



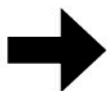
16.2b

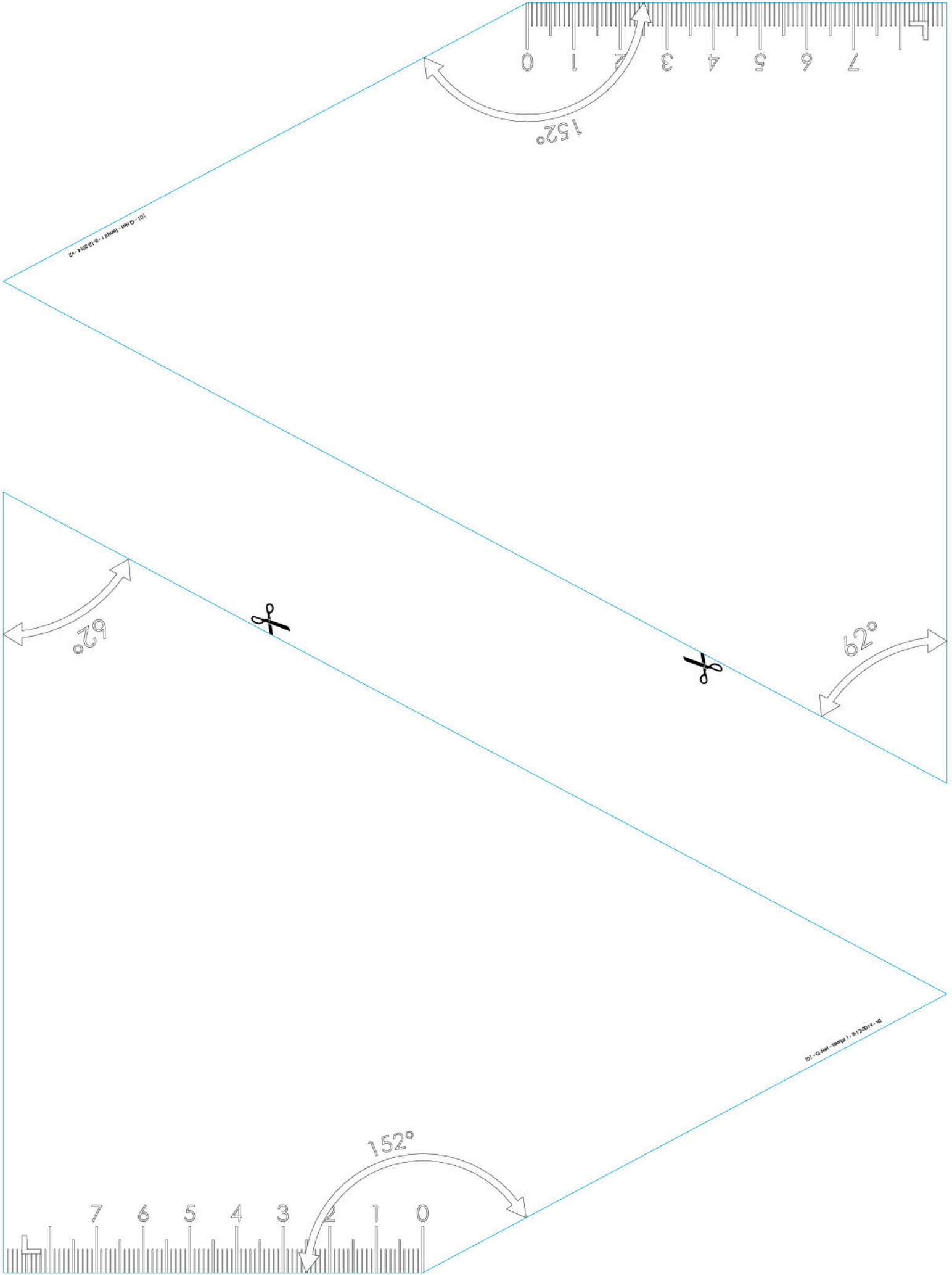
4x 19 mm

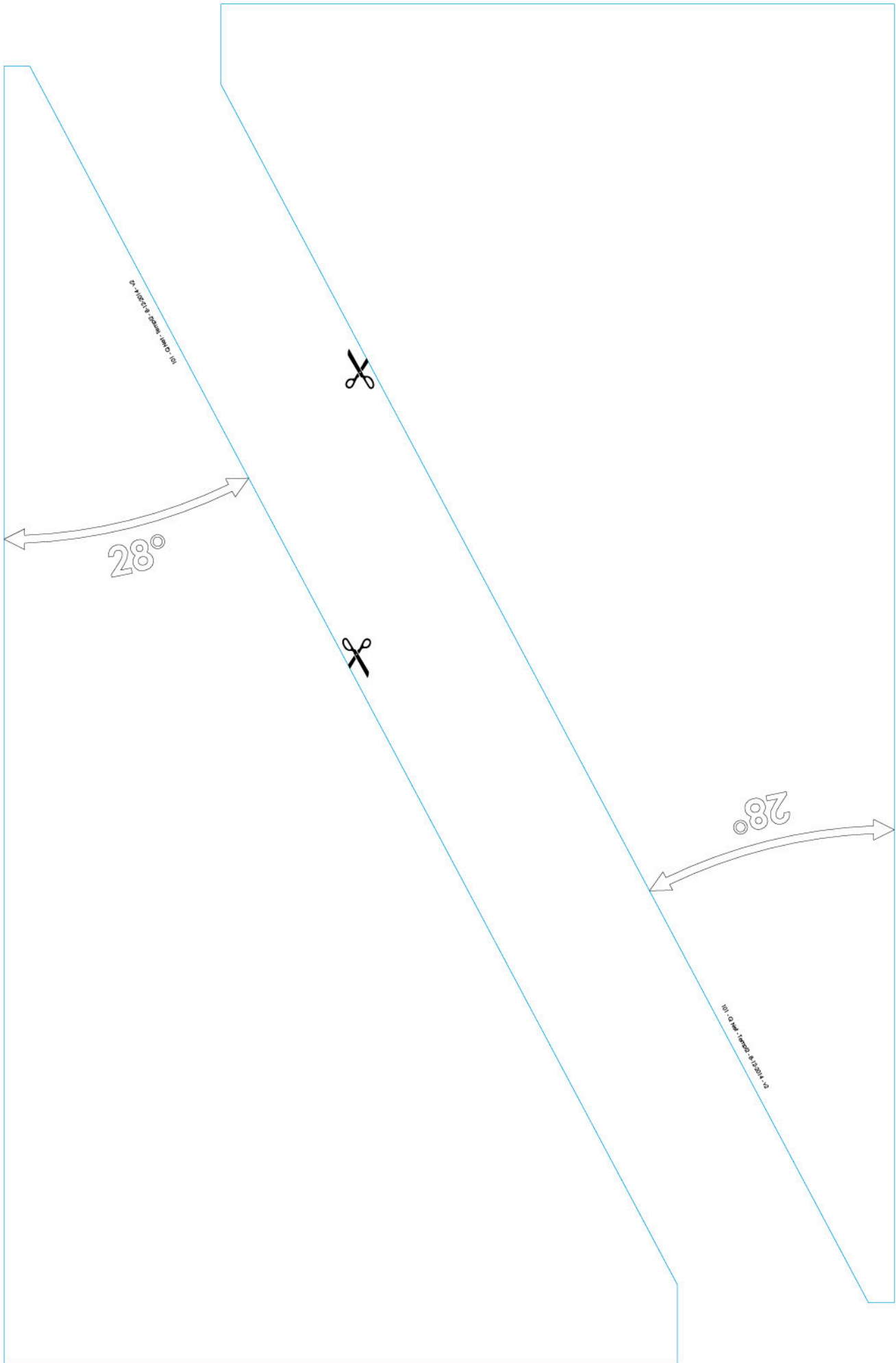
1x HY-LAND
10_209_2071_103_24



16.2c







Hy-land B.V.
Valschermkade 18
NL - 1059 CD Amsterdam
The Netherlands

Tel : +31 85 444 41 01
Email : info@hy-land.eu
URL : www.hy-land.eu

Chamber of Commerce :
NL 16.078.319

