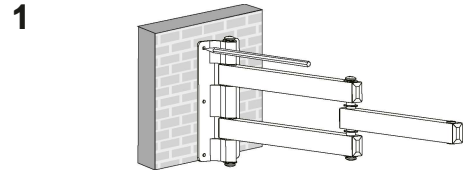
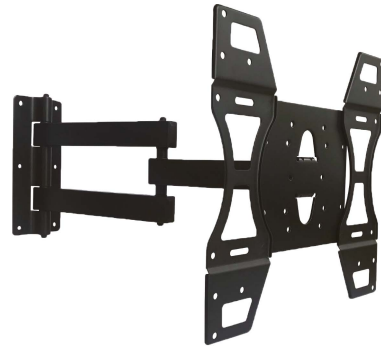


**SINOX**

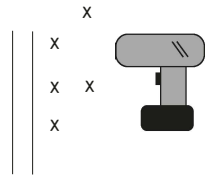
**SOB0158 INSTALLATION MANUAL**

**MAX** 50kg/110lbs    Swivel 180°

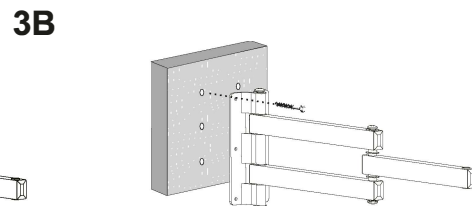
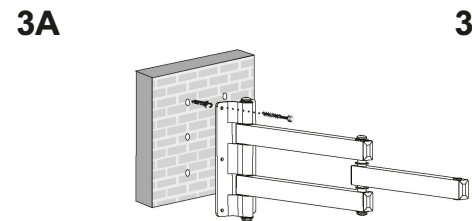
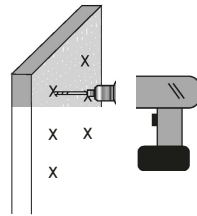
Ready for use with VESA 100 / VESA 200 /  
VESA 200X100 / VESA 300 / VESA 400 /  
VESA 400X200 / VESA 400X300



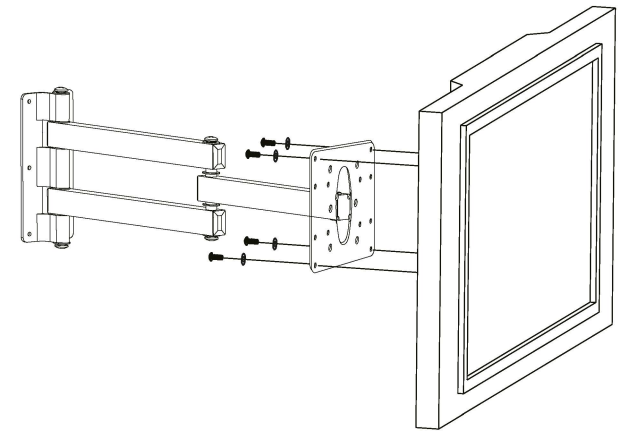
**2A** CONCRETE



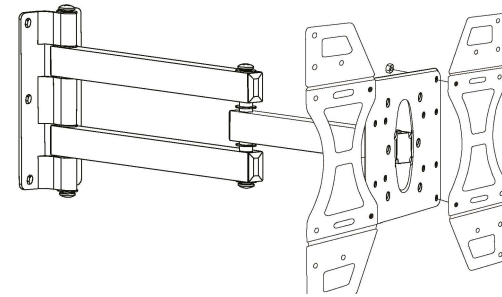
**2B** WOODEN BOARD



**4A**



**4B-1**



**4B-2**

