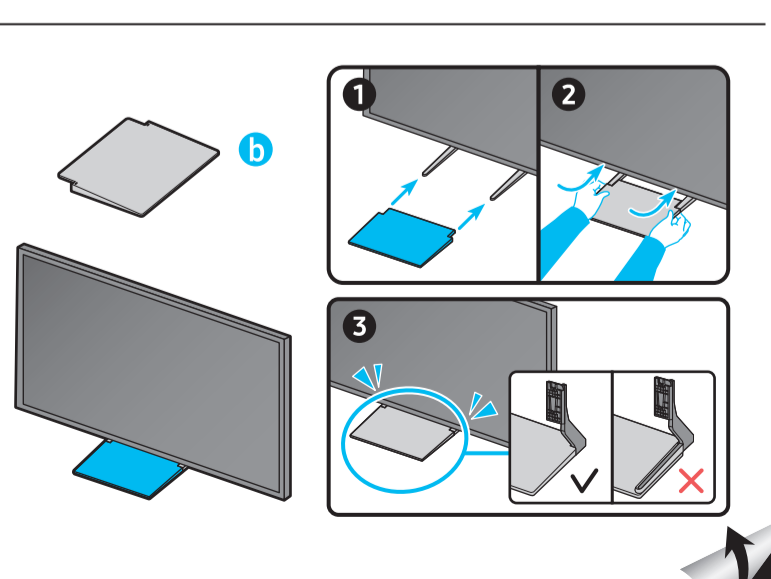
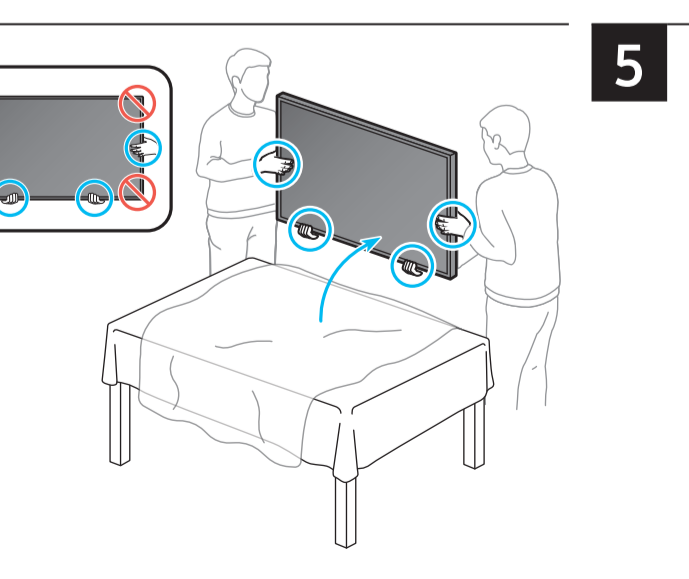
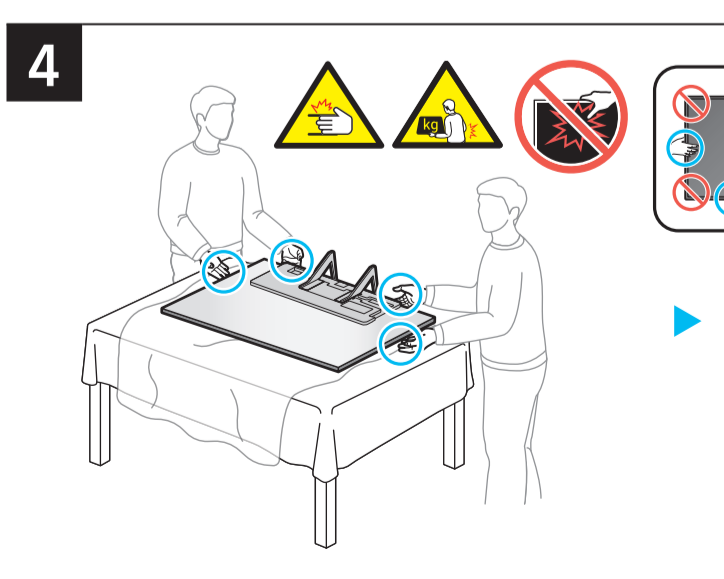
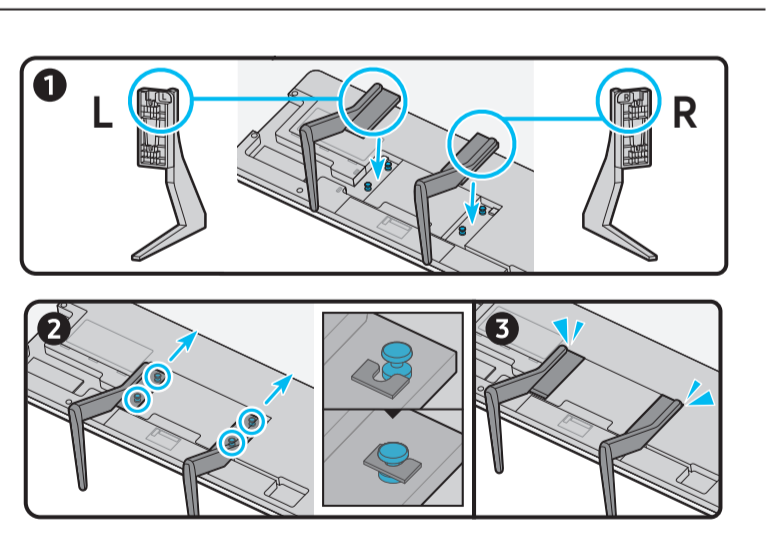
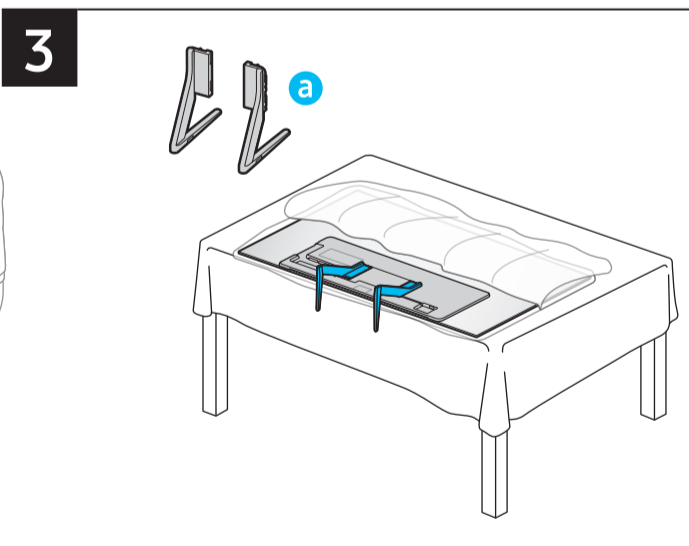
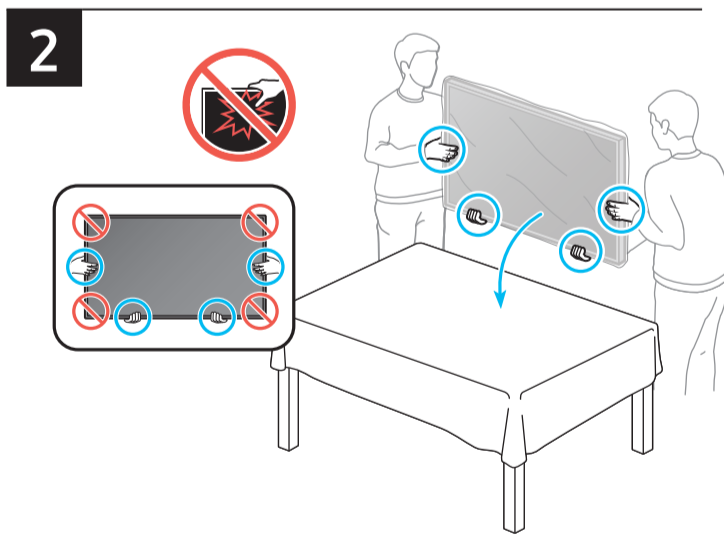
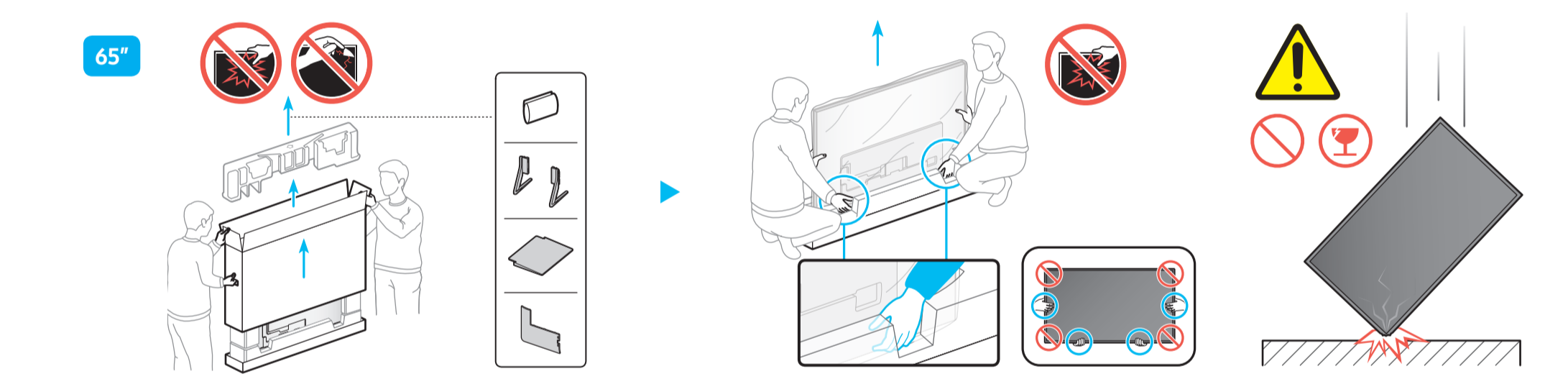
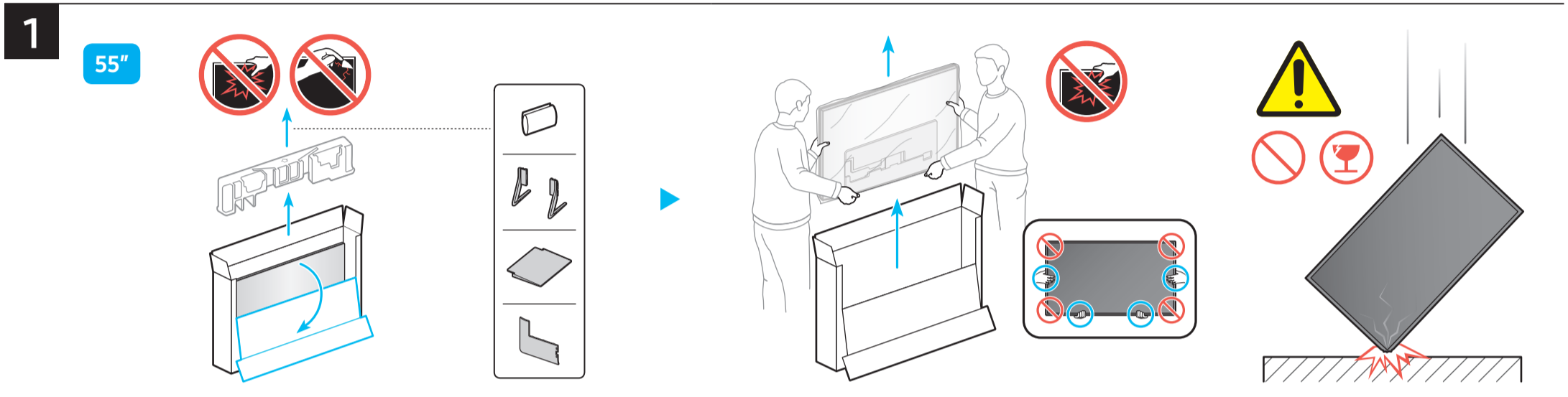
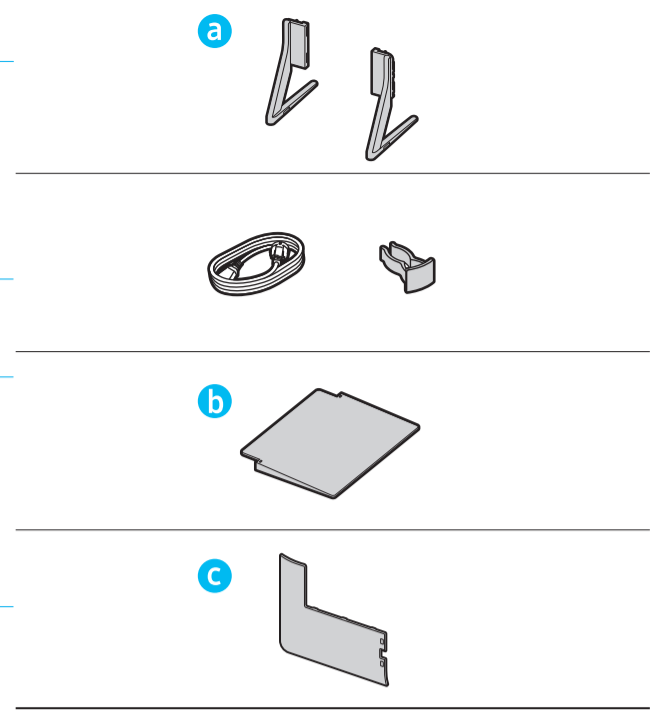
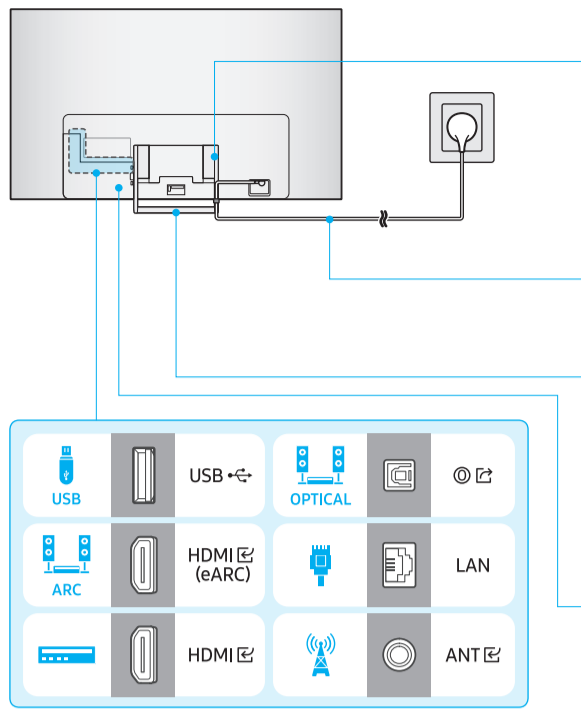
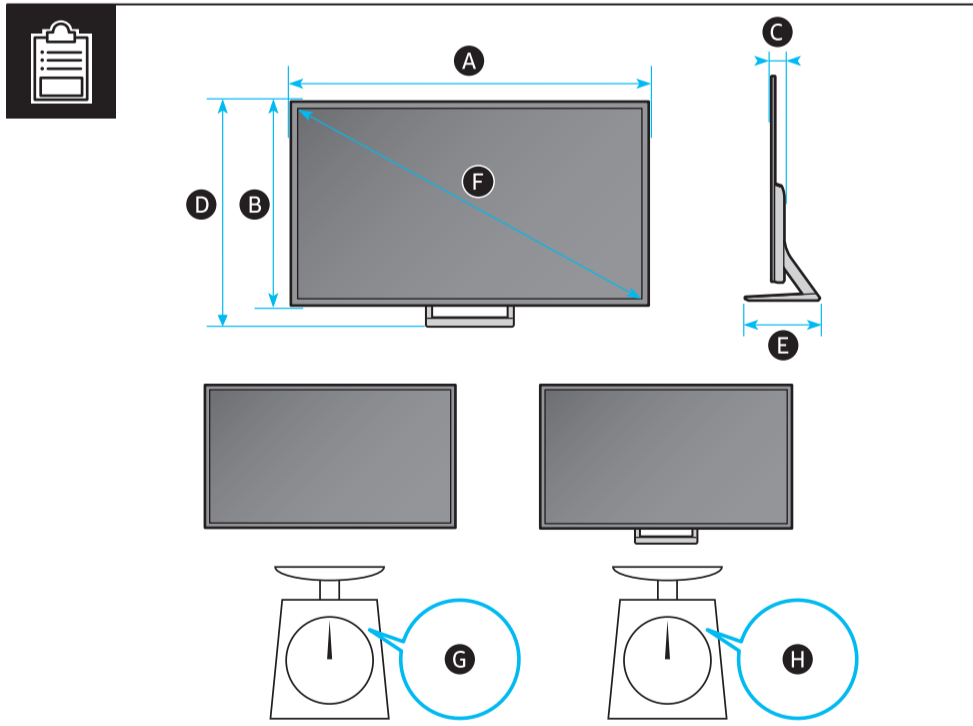
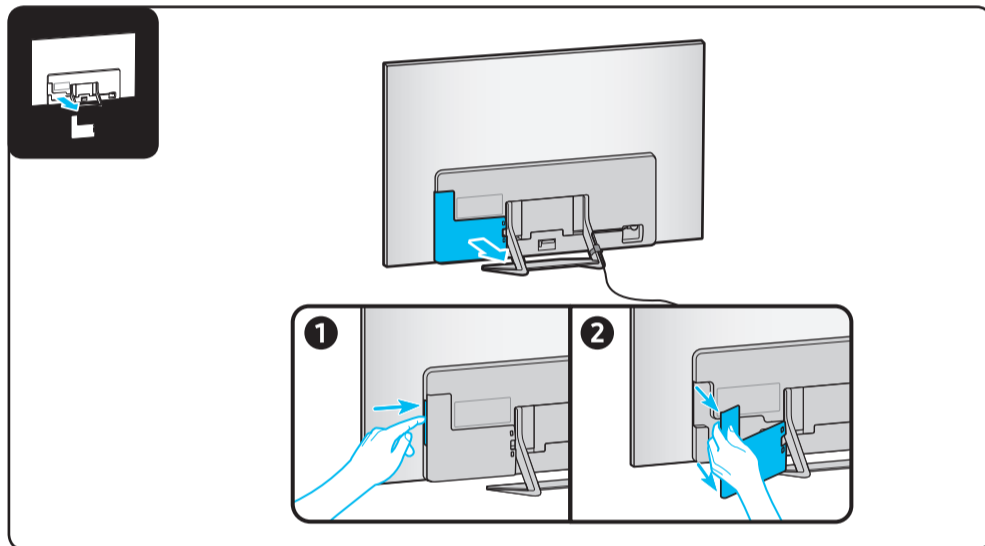
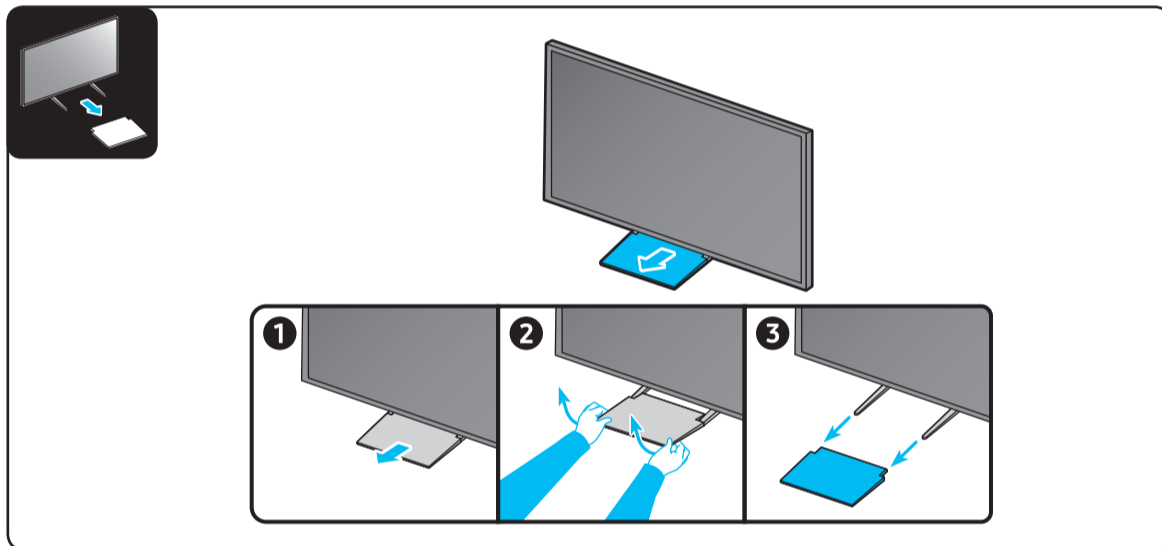
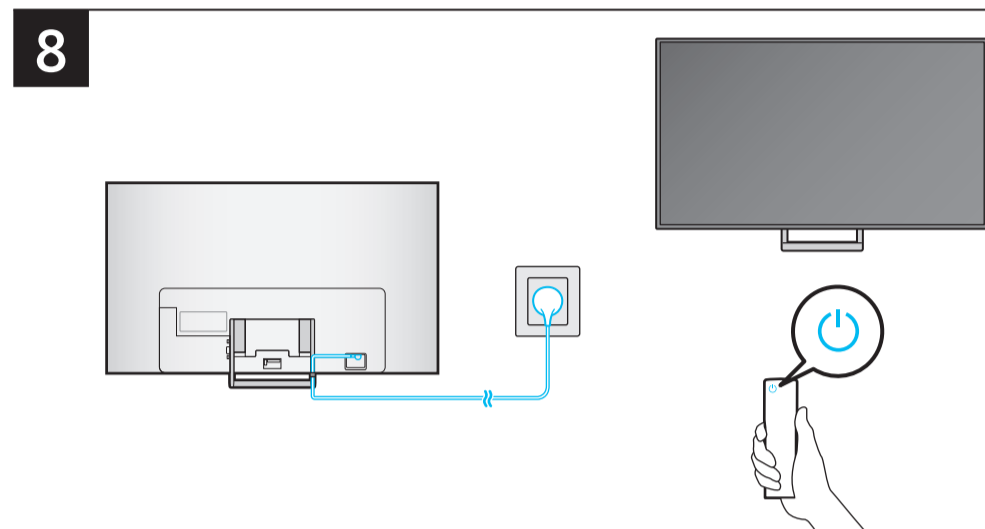
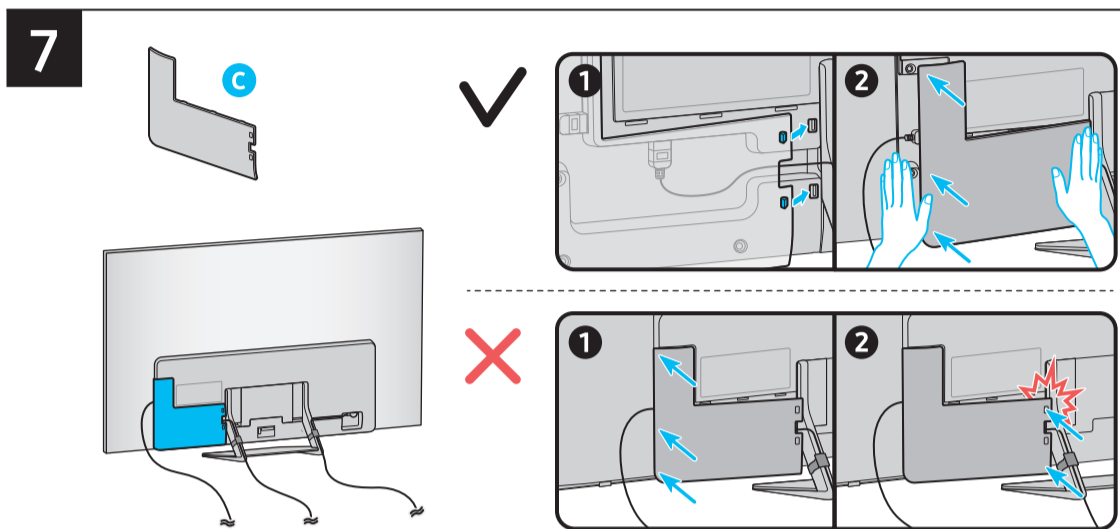
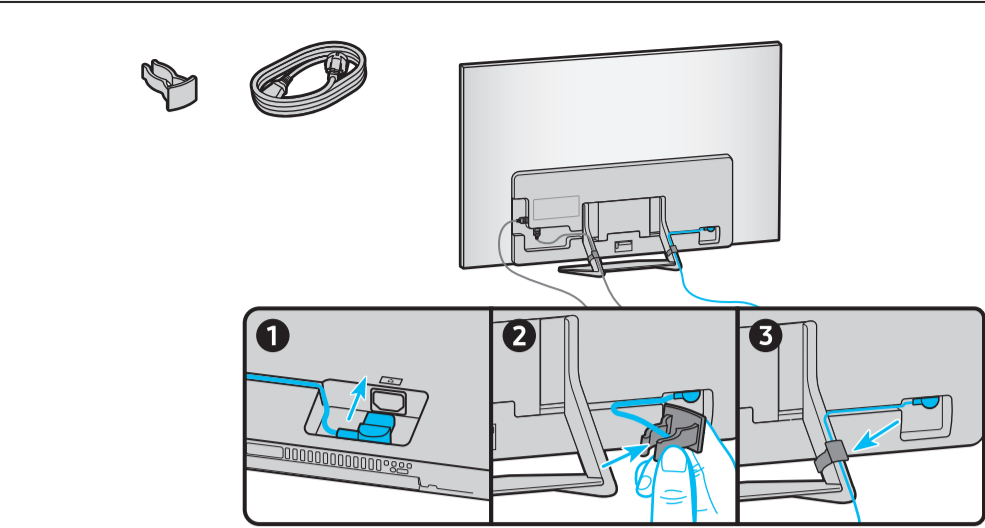
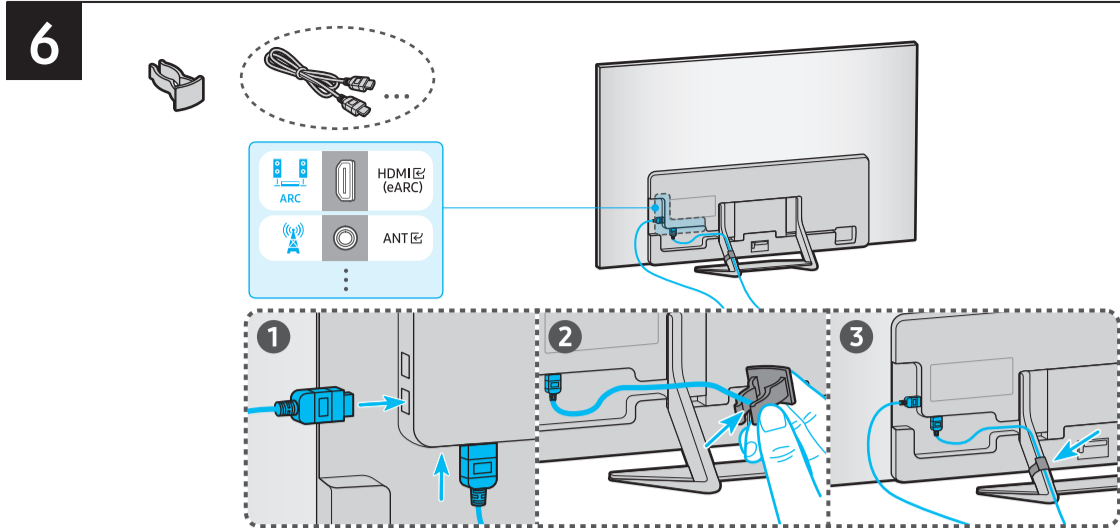


# SAMSUNG



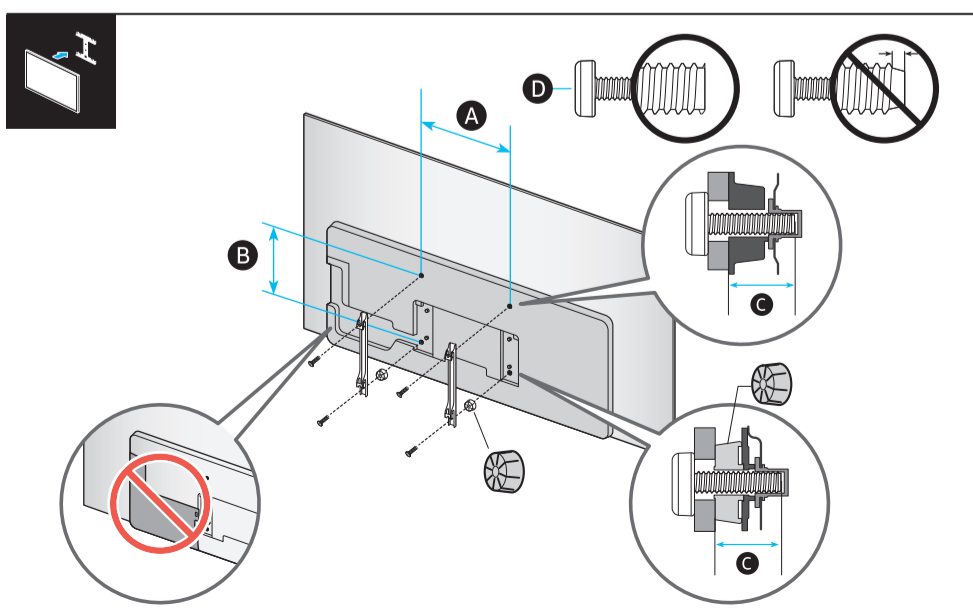
Unpacking and Installation Guide  
Guide de déballage et d'installation  
Guía de desembalaje e instalación  
Manual de desempacotamento e instalação  
Auspacken und Installationsanleitung  
Guida al disimballaggio e all'installazione  
Руководство по распаковке и установке  
Қаптамадан шығару және орнату нұсқаулығы  
Посібник з розпаковки та встановлення  
Qadoqdan chiqarish va o'rnatish qo'llanmasi





|                  | A                          | B                         | C                       | D                         | E                         | F                       | G                     | H                     |
|------------------|----------------------------|---------------------------|-------------------------|---------------------------|---------------------------|-------------------------|-----------------------|-----------------------|
| 55S9*C<br>55SC9* | 48.2 inches<br>(1225.4 mm) | 27.9 inches<br>(708.6 mm) | 1.6 inches<br>(39.9 mm) | 30.5 inches<br>(773.5 mm) | 10.5 inches<br>(265.9 mm) | 54.6 inches<br>(138 cm) | 35.7 lbs<br>(16.2 kg) | 40.1 lbs<br>(18.2 kg) |
| 65S9*C<br>65SC9* | 56.9 inches<br>(1444.3 mm) | 32.7 inches<br>(831.7 mm) | 1.6 inches<br>(39.9 mm) | 35.3 inches<br>(896.6 mm) | 10.5 inches<br>(265.9 mm) | 64.5 inches<br>(163 cm) | 46.5 lbs<br>(21.1 kg) | 50.9 lbs<br>(23.1 kg) |

\*: 0-9, A-Z



|                  | VESA A x B (mm)<br>VESA A x B (mm) | C (mm)<br>C (mm) | D x 4 |
|------------------|------------------------------------|------------------|-------|
| 55S9*C<br>55SC9* | 300 x 200                          | 28-30            | M8    |
| 65S9*C<br>65SC9* |                                    |                  |       |

\*: 0-9, A-Z