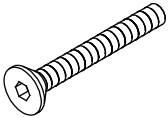
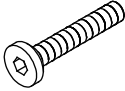
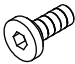
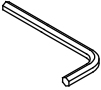
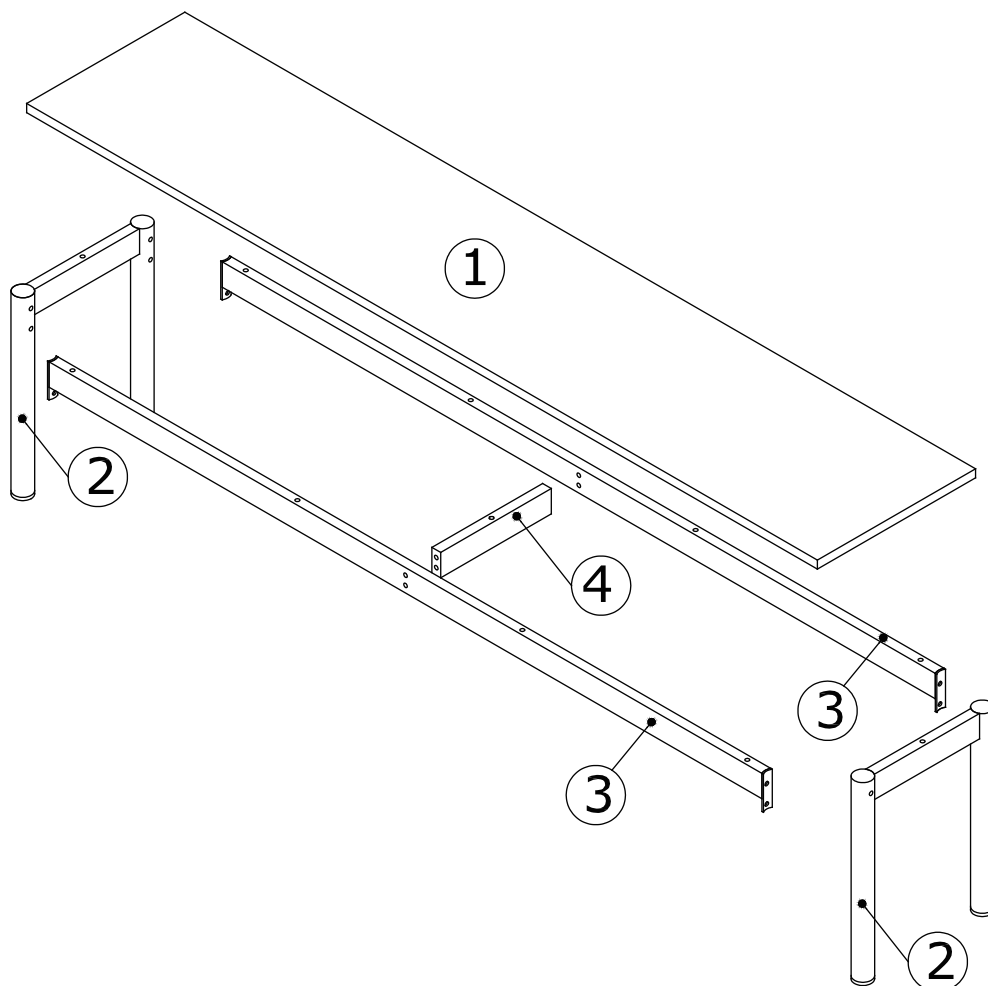
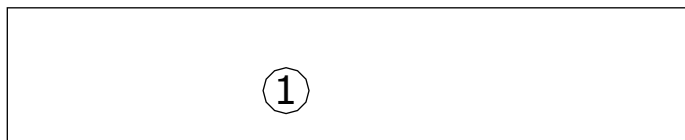
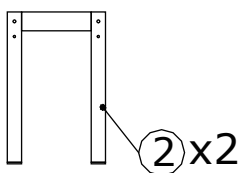


<b>Ax15</b>  M6x63 mm	<b>Bx4</b>  M6x40 mm	<b>Cx4</b>  M6x15 mm	<b>Dx1</b>  4 mm
--	---	---	--

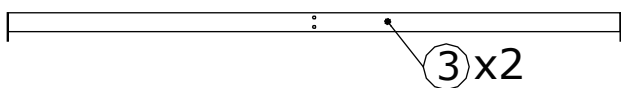




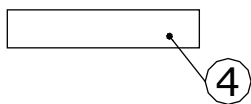
1800x360x18mm



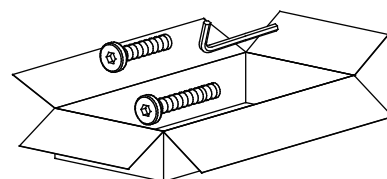
310xØ38x402mm



1630x75x20mm

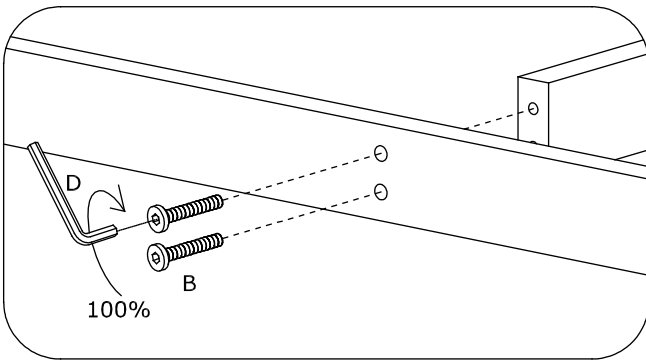
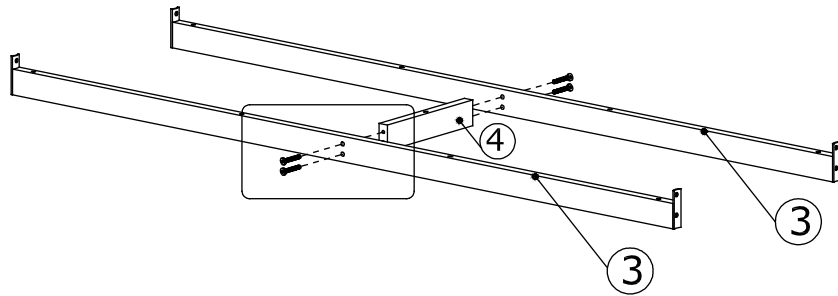


252x50x20mm



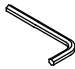


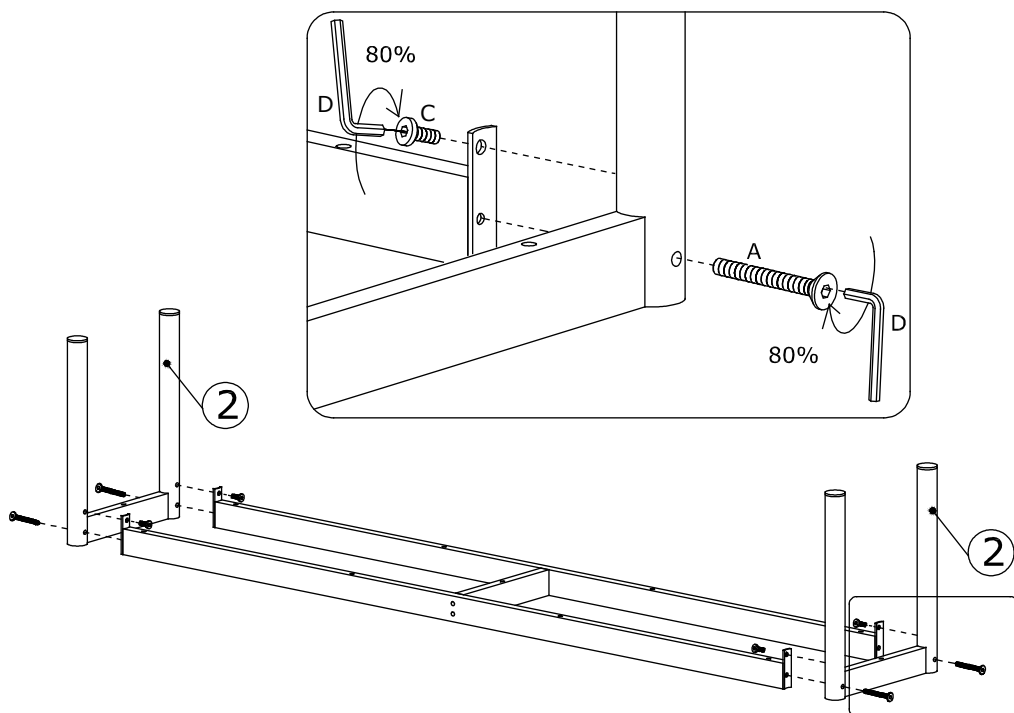
1

<p>Bx4</p>  <p>M6x40 mm</p>	<p>Dx1</p>  <p>4 mm</p>	
--	--	--



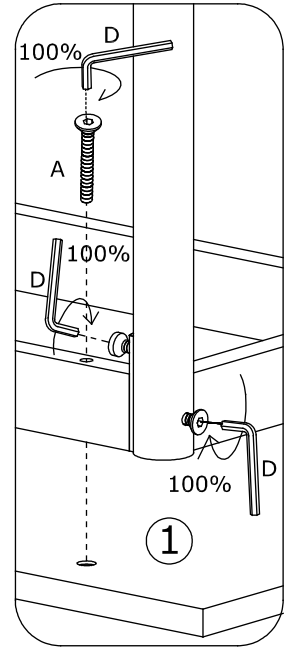
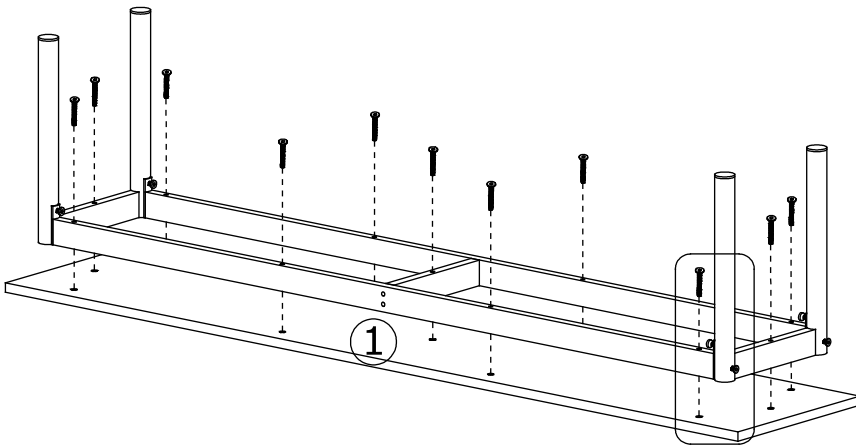
2

<p>Ax4</p>  <p>M6x63 mm</p>	<p>Cx4</p>  <p>M6x15 mm</p>	<p>Dx1</p>  <p>4 mm</p>	
--	--	--	--



3

<p>Ax11</p>  <p>M6x63 mm</p>	<p>Dx1</p>  <p>4 mm</p>	
---	--	--



4

