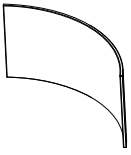


A x 4



B x 4



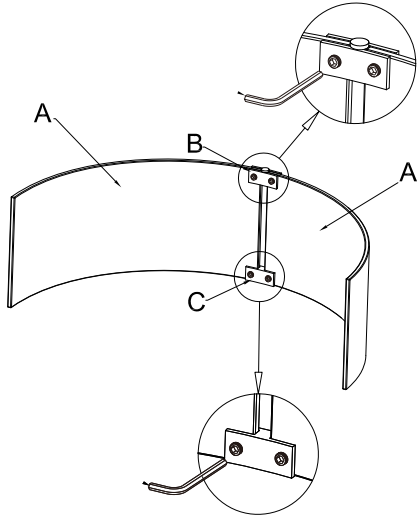
C x 4



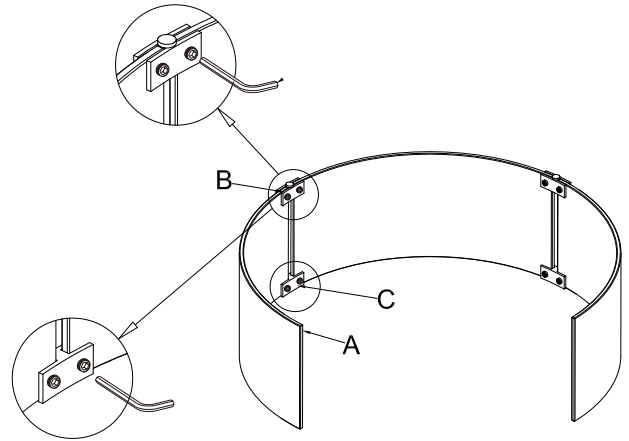
D x 1



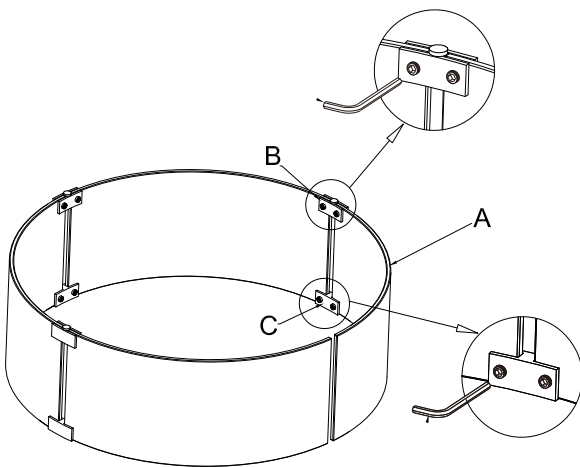
1



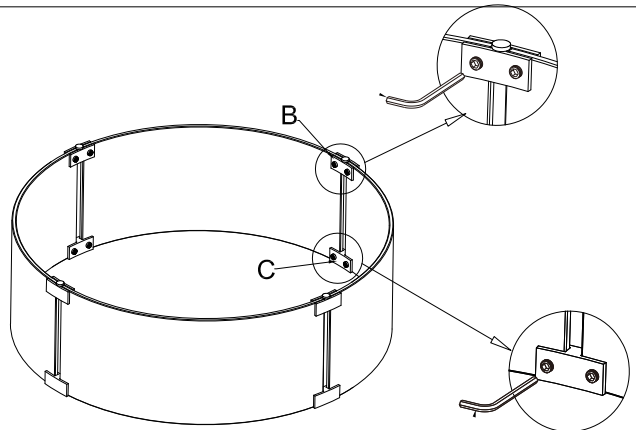
2



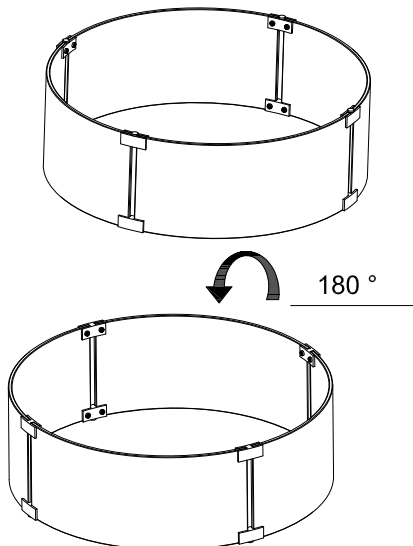
3



4



5



6

