

Char-Broil.

CHAR-BROIL CONVECTIVE SERIES 2 BURNER

MODEL NUMBER

468401118

468402118



- Ⓒ(GB) Operating Instructions, 2-7
- Ⓒ(CH)Ⓒ(FR) Mode d'emploi, 8-13
- Ⓒ(LU)Ⓒ(AT)Ⓒ(CH)Ⓒ(DE) Betriebsanweisungen, 14-19
- Ⓒ(CH)Ⓒ(IT) Istruzioni per l'uso, 20-25
- Ⓒ(LU)Ⓒ(BE)Ⓒ(NL) Gebruiksaanwijsties, 26-31
- Ⓒ(SE) Användning, 32-37
- Ⓒ(FI) Käyttöohjeet, 38-43
- Ⓒ(ES) Instrucciones de funcionamiento, 44-49
- Ⓒ(PT) Instruções para Operação, 50-55
- Ⓒ(DK) Brugsanvisning, 56-61
- Ⓒ(NO) Instruksjoner for bruk, 62-67
- Ⓒ(SK) Návod na používanie, 68-73
- Ⓒ(IS) Notkunarlæðbeiningar, 74-79
- Ⓒ(CZ) Návod k obsluze, 80-85
- Ⓒ(IL) הוראות הפעלה, 86-91

- Assembly Instructions, 92-109
- Instructions d'assemblage, 92-109
- Montageanweisungen, 92-109
- Istruzioni per il montaggio, 92-109
- Montage-instructies, 92-109
- Montering, 92-109
- Kokoamisohjeet, 92-109
- Instrucciones de armado, 92-109
- Instruções para Montagen, 92-109
- Monteringsvejledning, 92-109
- lmontering, 92-109
- Návod na montáž, 92-109
- Smalamálsskipana, 92-109
- Montážní návod, 92-109
- , הוראות הרכבה, 92-109



CE
2531CS 0005

INSTALLER/ASSEMBLER:

Leave this manual with consumer.

CONSUMER:

Keep this manual for future reference.

Questions:

If you have questions during assembly or use of this appliance contact your local dealer.



DANGER



If you smell gas:

1. Shut off gas to the appliance.
2. Extinguish any open flames.
3. Open lid.
4. If odor continues, keep away from the appliance and immediately call your gas supplier or your fire department.



WARNING



1. Do not store or use petrol or other flammable liquids in the vicinity of this or any other appliance.
2. A gas cylinder not connected for use shall not be stored in the vicinity of this or any other appliance.



CAUTION



- Read and follow all safety statements, assembly instructions and use and care directions before attempting to assemble and cook.
- Some parts may contain sharp edges. Wearing protective gloves is recommended.

Grease Fires

- Putting out grease fires by closing the lid is not possible. Barbecues are well ventilated for safety reasons.
- Do not use water on a grease fire, Personal injury may result. If a persistent grease fire develops, turn knobs and gas cylinder off.
- If appliance has not been regularly cleaned, a grease fire can occur that may damage the product. Pay close attention while preheating or burning off food residue to insure that a grease fire does not develop. Follow instructions on general appliance cleaning and cleaning the burner assembly to prevent grease fires. The best way to prevent grease fires is regular cleaning of the appliance.
- Do not leave barbecue unattended while preheating or burning off food residue on HI. If barbecue has not been regularly cleaned, a grease fire can occur that may damage the product.



WARNING



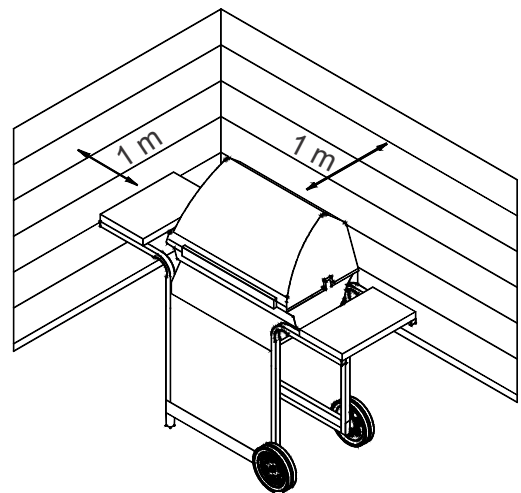
For Safe Use of Your Appliance and to Avoid Serious Injury:

- **USE OUTDOORS ONLY. NEVER USE INDOORS.**

Read the instructions before using the appliance.

Always follow these instructions.

- Do not move the appliance during use.
- Accessible parts may be very hot. Keep young children away. Do not let children operate or play near appliance.
- Turn off the gas supply at the cylinder after use.
- This appliance must be kept away from flammable materials during use.
- Do not block holes in sides or back of appliance.
- Check burner flames regularly.
- Do not block venturi openings on burner.
- Use appliance only in well-ventilated space. NEVER use in enclosed space such as carport, garage, porch, covered patio, or under an overhead structure of any kind.
- Do not use charcoal or ceramic briquets in a gas appliance.
- **DO NOT** cover grates with aluminum foil or any other material. This will block burner ventilation and create a potentially dangerous condition resulting in property damage and/or personal injury.
- **Use appliance at least 1m from any wall or surface.**
- Maintain 3m clearance to objects that can catch fire or sources of ignition such as pilot lights on water heaters, live electrical appliances, etc.



- NEVER attempt to light burner with lid closed. A buildup of non-ignited gas inside a closed appliance is hazardous.
- Always turn off gas at cylinder and disconnect regulator before moving gas cylinder from specified operating position.
- Never operate appliance with gas cylinder out of correct position specified.
- Do not modify the appliance. Any modifications is strictly prohibited. Sealed parts are not to be manipulated by the user. Do not disassemble injectors.

Safety Tips

- Before opening gas cylinder valve, check the regulator for tightness.
- When appliance is not in use, turn off all control knobs and gas.
- Use long-handled barbecue utensils and oven mitts to avoid burns and splatters. Use protective gloves when handling hot components.
- Maximum load for hot plate, if equipped, and side shelf is 4.5 Kg. Cooking vessel minimum dia 200mm and maximum dia. 260 mm. **NOTE:** Your barbecue may NOT be equipped with a Hot plate!
- The grease cup (if equipped) must be inserted into appliance and emptied after each use. Do not remove grease cup until appliance has completely cooled.
- Be very careful when you open the lid, since hot steam may escape.
- Be very careful when children, the elderly, or pets are nearby.
- If you notice grease or other hot material dripping from appliance onto valve, hose or regulator, turn off gas supply at once. Determine the cause, correct it, then clean and inspect valve, hose, and regulator before continuing. Perform a leak test.
- Do not store objects or materials inside the appliance cart enclosure that would block the flow of combustion air to the underside of either the control panel or the firebox bowl.
- DO NOT disconnect or change gas container within 3m of an open flame or other ignition source.

Cylinder Placement

Cylinder cannot be placed under or in the appliance. Cylinders are to be placed to the side and rear of the appliance. Cylinders are to be a maximum diameter of 345mm and maximum height of 600mm. Cylinders placed on the ground shall not be placed under the hot plate.

Regulator Requirements

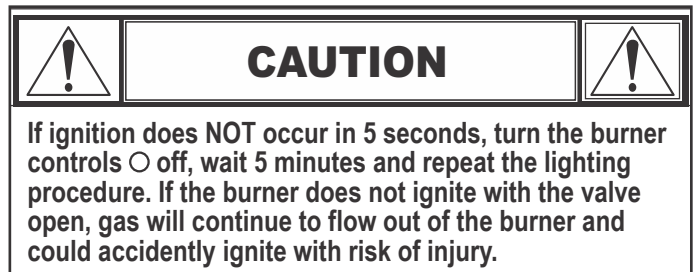
A regulator must be used with this appliance. Use only gas regulator supplied with your barbecue. If a regulator is not supplied then use only regulator certified according to EN16129 (Flow rate max. 1.5 kg/h) and approved for your country and gas specified in Technical Data.

Hose Requirements

Use only approved hose which is certified to appropriate EN standard and does not exceed 1.5m length. For Finland, the hose length shall not exceed 1.2m. Before each use, check to see if hoses are cut or worn. Make sure hose is not kinked. Make sure that when connected hose does not touch any warm surfaces. Replace damaged hoses before using appliance. Replace hose as required by national requirements.

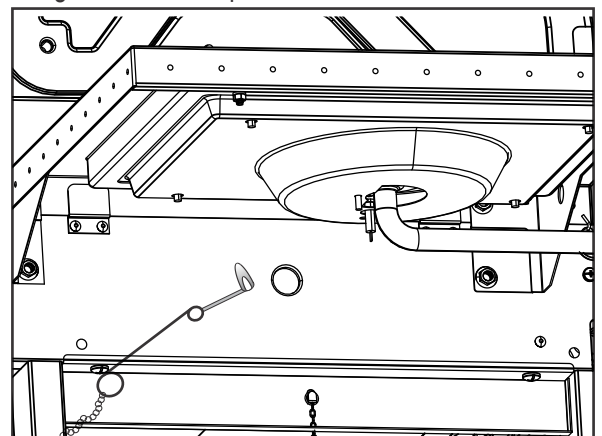
Ignitor Lighting

- **Do not lean over barbecue while lighting.**
 1. Turn gas burner control valves to ○ (off).
 2. Open lid during lighting or re-lighting.
 3. Turn ON gas at LP cylinder.
 4. To ignite, push and turn ignition burner knob to 🔥 HIGH. Immediately, push and hold ELECTRONIC IGNITOR button until the burner lights.
 5. If ignition does NOT occur in 5 seconds, turn the burner controls off ○, wait 5 minutes and repeat the lighting procedure.
 6. To ignite remaining burners, push and turn knob to the HIGH position starting with the burners closest to the IGNITION BURNER first.



Match-Lighting

- **Do not lean over barbecue while lighting.**
 1. Turn gas burner control valves to ○ (off).
 2. Open lid during lighting or re-lighting.
 3. Turn ON gas at LP cylinder.
 4. Place match into match holder (hanging from side panel of barbecue). Light match; then light burner by placing match through the match light hole on side of barbecue. Immediately push in and turn burner knob to the 🔥 HIGH position. Be sure burner lights and stays lit.
 5. Light adjacent burners in sequence by pushing knobs in and turning to the 🔥 HIGH position.



Leak Testing Valves, Hose and Regulator

Leak test before first use, at least once a year, and every time the cylinder is changed or disconnected.

1. Turn all appliance control knobs to ○.
2. Be sure regulator is tightly connected to gas cylinder.
3. Turn on Gas. If you hear a rushing sound, turn gas off immediately. There is a major leak at the connection. Correct before proceeding.
4. Brush soapy solution (mixture of half soap and half water) onto hose connections.
5. If growing bubbles appear, there is a leak. Turn off gas at cylinder immediately and check tightness of connections. If leak cannot be stopped do not try to repair. Call for replacement parts.
6. Always turn off gas at cylinder after performing leak test.

IF APPLIANCE FAILS TO LIGHT

- Make sure gas is turned on at cylinder.
- Make sure there is gas in the cylinder.
- Does the ignitor make a sparking noise?
 - If yes check for spark at burner.
 - If no spark check for damaged or loose wires.
- If wires are OK check for cracked or broken electrode, replace if needed.
- If wire or electrodes are covered by cooking residue, clean electrode tip with alcohol wipe if needed.
- If needed replace wires.
- If no sound check battery.
- Make sure battery is installed correctly.
- Check for loose wire connection at module and switch.
- If ignitor continues to not work then use match.

	CAUTION	
SPIDER ALERT!		
SPIDER AND WEBS INSIDE BURNER		
		
<p>If your barbeque is getting hard to light or the flame is weak, check and clean the venturis and burners.</p>		
<p>Spiders or small insects are known to create “flashback” problems by building nests and laying eggs in the barbeque’s venturi or burner obstructing the flow of gas. The backed-up gas can ignite behind the control panel. This flashback can damage your barbeque and cause injury. To prevent flashbacks and ensure good performance, the burner and venturi tube assembly should be removed and cleaned whenever the barbeque has been idle for an extended period of time.</p>		

Cleaning the Burner Assembly

Follow these instructions to clean and/or replace parts of burner assembly or if you have trouble igniting barbecue.

1. Turn gas off at control knobs and LP cylinder.
2. Remove cooking grates and heat tents.
3. Remove carryover tubes and hardware securing burners.
4. Detach electrode from burner.

NOTE: Removal/Detachment method will depend on the burner configuration. See different configurations in illustrations below.

5. Carefully lift each burner up and away from valve openings.

We suggest three ways to clean the burner tubes. Use the one easiest for you.

- A. Bend a stiff wire (a light weight coat hanger works well) into a small hook. Run the hook through each burner tube several times.



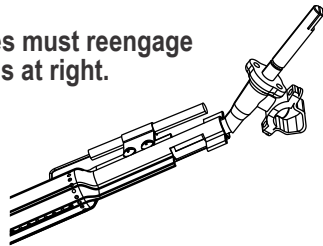
- B. Use a narrow bottle brush with a flexible handle (do not use a brass wire brush). Run the brush through each burner tube several times.

- C. **Wear eye protection:** Use an air hose to force air into the burner tube and out the burner ports. Check each port to make sure air comes out each hole.

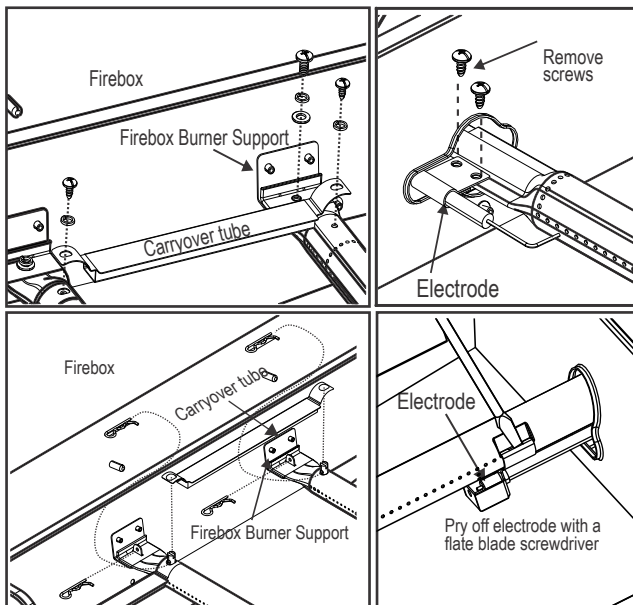
6. Wire brush entire outer surface of burner to remove food residue and dirt.
7. Clean any blocked ports with a stiff wire such as an open paper clip.
8. Check burner for damage due to normal wear and corrosion, some holes may become enlarged. If any large cracks or holes are found, replace burner.

VERY IMPORTANT: Burner tubes must reengage valve openings. See illustrations at right.

Correct burner-to-valve engagement



9. Attach electrode to burner.
10. Carefully replace burners.
11. Attach burners to brackets on firebox.
12. Reposition carryover tubes and attach to burners. Replace heat tents and cooking grates.
13. Before cooking again on barbecue, perform a "Leak Test" and "Burner Flame Check".



Storing Your Appliance

- Clean cooking grates.
- Store in dry location.
- When gas cylinder is connected to appliance, store outdoors in a well-ventilated space and out of reach of children.
- Cover appliance if stored outdoors.
- Store appliance indoors ONLY if gas cylinder is turned off and disconnected, removed from appliance and stored outdoors.
- When removing appliance from storage check for burner obstructions.

General Appliance Cleaning

- Clean appliance often, preferably after each cookout. If a bristle brush is used to clean any of the appliance cooking surfaces, ensure no loose bristles remain on cooking surfaces prior to barbecuing. It is not recommended to clean cooking surface while appliance is hot. Appliance should be cleaned at least once a year.
- Do not mistake brown or black accumulation of grease and smoke for paint. Interiors of gas barbecues are not painted at the factory (and should never be painted). Apply a strong solution of detergent and water or use a appliance cleaner with scrub brush on insides of appliance lid and bottom. Rinse and allow to completely air dry. Do not apply caustic appliance/oven cleaner to painted surfaces.
- Plastic parts: Wash with warm soapy water and wipe dry.
 - Do not use citrisol, abrasive cleaners, degreasers or a concentrated appliance cleaner on plastic parts. Damage to and failure of parts can result.
- Porcelain surfaces: Because of glass-like composition, most residue can be wiped away with baking soda/water solution or specially formulated cleaner. Use nonabrasive scouring powder for stubborn stains.
- Painted surfaces: Wash with mild detergent or nonabrasive cleaner and warm soapy water. Wipe dry with a soft nonabrasive cloth.
- Stainless steel surfaces: To maintain your appliance's high quality appearance, wash with mild detergent and warm soapy water and wipe dry with a soft cloth after each use. Baked-on grease deposits may require the use of an abrasive plastic cleaning pad. Use only in direction of brushed finish to avoid damage. Do not use abrasive pad on areas with graphics.
- Cooking surfaces: If a bristle brush is used to clean any of the appliance cooking surfaces, ensure no loose bristles remain on cooking surfaces prior to barbecuing. It is not recommended to clean cooking surfaces while appliance is hot.

Stainless steel

There are many different types (alloys) of materials that are regarded as stainless steel.

A common trait of these different types is that they may corrode (oxidize), depending on the conditions they are subjected to.

This applies to your new barbecue as well.

To ensure your barbecue retains its looks and functionality for many years, please follow the advice below.

- 1) If the barbecue has become wet or damp, make sure to wipe it dry using a cloth in order to prevent surface corrosion.
- 2) Stainless steel can rust under certain conditions. This can be caused by environmental conditions such as chlorine or salt water, or improper cleaning tools such as wire or steel wool. It can also discolor due to heat, chemicals, or grease build-up.
- 3) To maintain your appliance's high quality appearance, wash with mild detergent and warm soapy water and wipe dry with a soft cloth after each use. Baked-on grease deposits may require the use of an abrasive plastic cleaning pad. Use only in direction of brushed finish to avoid damage. Do not use abrasive pad on areas with graphics.
- 4) Grease the internal parts of the barbecue and the grids with cooking oil.

Please note:

To avoid scratching the surface and providing a basis for rust, never use steel wool or similar when cleaning stainless steel.

When cleaning, work in the same direction the stainless steel was brushed in – 'with the grain'.

Cleaning with abrasives may leave scratches.

Storing the barbecue near a coast, swimming pool or spa will cause the barbecue to corrode (oxidize).

Cover your barbecue for rust protection.

TECHNICAL DATA
CHAR-BROIL, LLC

Appliance Name	Gas Barbeque/Gas Grill			
Total Nominal Heat Input	8.21kW (597 g/h)			7,03kW (512 g/h)
Gas Category	I3+(28-30/37)	I3B/P(30)		I3B/P(50)
Model No.	468402118			468401118
Gas Type	Butane	Propane	Butane, Propane or their mixtures	Butane, Propane or their mixtures
Gas Pressure	28-30 mbar	37 mbar	30 mbar	50 mbar
Injector Size (Dia. mm)	Barbecue: 1,03 x 2 pcs		Barbecue: 1,03 x 2 pcs	Barbecue: 0,80 x 2 pcs
	Hotplate: N/A		Hotplate: N/A	Hotplate: N/A
Destination Countries	GB, FR, BE, ES, IT, PT, CZ, SK		DK, NO, NL, SE, FI, IS, CZ, IT, SK	AT, DE, CH, LU

1.5 VDC Battery

INSTALLATEUR/ASSEMBLEUR :

Remettez ce manuel au consommateur.

CONSUMMATEUR :

Conservez ce manuel pour référence ultérieure.

Questions :

Si vous avez des questions pendant l'assemblage ou l'utilisation de cet appareil, contactez votre revendeur local.



DANGER



Si vous sentez une odeur de gaz:

1. Coupez l'alimentation en gaz de l'appareil.
2. Éteignez toute flamme nue.
3. Ouvrez le couvercle.
4. Si l'odeur persiste, tenez-vous à l'écart de l'appareil et appelez immédiatement votre fournisseur de gaz ou la caserne de pompiers la plus proche.



AVERTISSEMENT



1. N'entreposez pas ou n'utilisez pas de l'essence ou d'autres liquides inflammables à proximité de cet appareil ou de tout autre appareil.
2. Une bonbonne de gaz non raccordée ne doit pas être entreposée à proximité de cet appareil ou de tout autre appareil.



MISE EN GARDE



- Lisez et suivez toutes les consignes de sécurité, les instructions d'assemblage et consignes d'utilisation et d'entretien avant d'essayer d'assembler et de cuisiner.
- Certaines pièces peuvent contenir des rebords tranchants. Il est recommandé de porter des gants de protection.

Feux de graisse

- Il n'est pas possible d'éteindre les feux de graisse en fermant le couvercle. Les barbecues sont bien ventilés pour des raisons de sécurité.
- N'utilisez pas d'eau sur un feu de graisse, cela peut entraîner des blessures. Si un feu de graisse persistant se développe, fermez les boutons de réglage et la bonbonne de gaz.
- Si l'appareil n'a pas été nettoyé régulièrement, un feu de graisse peut se produire et il pourrait endommager le produit. Faites particulièrement attention pendant le préchauffage ou lorsque vous brûlez des résidus alimentaires pour vous assurer qu'un feu de graisse ne démarre pas. Suivez les instructions sur le nettoyage général de l'appareil et sur le nettoyage de l'ensemble du brûleur pour éviter les feux de graisse. La meilleure façon d'éviter les feux de graisse est de nettoyer régulièrement l'appareil.
- Ne laissez pas le barbecue sans surveillance pendant le préchauffage ou lorsque vous brûlez des résidus alimentaires sur HI. Si le barbecue n'a pas été nettoyé régulièrement, un feu de graisse peut se produire et il pourrait endommager le produit.

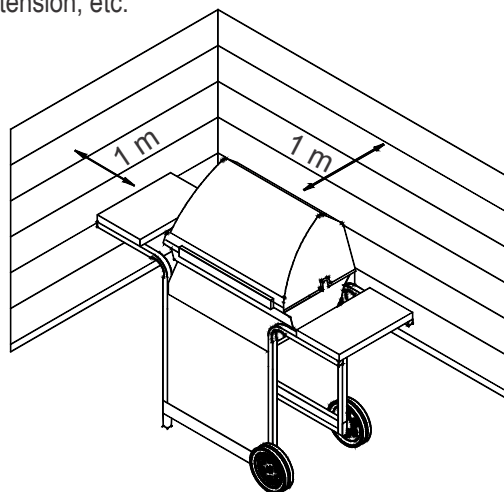


AVERTISSEMENT



Pour une utilisation sûre de l'appareil et afin d'éviter de graves blessures :

- **UTILISEZ UNIQUEMENT À L'EXTÉRIEUR. NE L'UTILISEZ JAMAIS À L'INTÉRIEUR.** Lisez les instructions avant d'utiliser l'appareil. Suivez toujours ces instructions.
- Ne déplacez pas l'appareil pendant son utilisation.
- Les parties accessibles peuvent être très chaudes. Tenez les enfants en bas âge à l'écart. Ne laissez pas les enfants manipuler ou jouer près de l'appareil.
- Coupez l'alimentation en gaz au niveau de la bonbonne de gaz après utilisation.
- Cet appareil doit être tenu à l'écart des matières inflammables pendant l'utilisation.
- N'obstruez pas les trous dans les côtés ou à l'arrière de l'appareil.
- Vérifiez régulièrement les flammes des brûleurs.
- N'obstruez pas les ouvertures venturi sur le brûleur.
- Utilisez l'appareil uniquement dans des espaces bien ventilés. Ne l'utilisez JAMAIS dans un espace clos comme un abri pour voiture, un garage, un porche, une terrasse couverte ou sous une structure suspendue de toute sorte.
- N'utilisez pas de briquettes en charbon de bois ou en céramique dans un appareil à gaz.
- **NE COUVREZ PAS** les grilles avec du papier aluminium ou tout autre matériau. Cela bloquera la ventilation du brûleur et créera un environnement potentiellement dangereux pouvant causer des dégâts matériels et/ou des blessures.
- Utilisez l'appareil à au moins 1 m de tout mur ou de toute surface.
- Maintenez un espace de 3 m avec les objets qui peuvent s'enflammer ou des sources d'ignition comme des voyants lumineux sur les chauffe-eau, des appareils électriques sous tension, etc.



- Ne tentez JAMAIS d'allumer un brûleur avec le couvercle fermé. Une accumulation de gaz non allumé à l'intérieur d'un appareil fermé est dangereuse.
- Coupez toujours le gaz au niveau de la bonbonne et déconnectez le régulateur avant de déplacer la bonbonne de gaz de sa position.
- N'utilisez jamais l'appareil avec une bonbonne de gaz en dehors de sa bonne position.
- Ne modifiez pas l'appareil. Toute modification est strictement interdite. Les parties soudées ne doivent pas être manipulées par l'utilisateur. Ne démontez pas les injecteurs.

- Avant d'ouvrir la vanne du gaz, vérifiez l'étanchéité du régulateur.
- Lorsque l'appareil n'est pas en cours d'utilisation, fermez tous les boutons de réglage ainsi que le gaz.
- Utilisez des ustensiles à long manche et des gants de cuisine pour éviter les brûlures et les éclaboussures. Utilisez des gants de protection lorsque vous manipulez des composants chauds.
- La charge maximale pour la plaque chauffante (si l'appareil en est équipé) et le plateau latéral est de 4,5 kg. Diamètre minimum de 200 mm et diamètre maximum de 260 mm pour le récipient de cuisson. REMARQUE : Votre barbecue peut ne PAS être équipé d'une plaque chauffante!
- Le récipient à graisse (si équipé) doit être inséré dans l'appareil et vidé après chaque utilisation. Ne retirez pas le récipient à graisse tant que l'appareil n'a pas complètement refroidi.
- Soyez très prudent lorsque vous ouvrez le couvercle, puisque de la vapeur chaude peut s'échapper.
- Soyez très prudent lorsque des enfants, des personnes âgées ou des animaux domestiques sont à proximité.
- Si vous remarquez de la graisse ou toute autre matière chaude qui coule sur la vanne, le tuyau ou le régulateur, coupez toute l'alimentation en gaz. Déterminez la cause, corrigez-la, puis nettoyez et vérifiez la soupape, le tuyau et le régulateur avant de continuer. Effectuez un test d'étanchéité.
- N'entreposez pas d'objets ou de matériaux à l'intérieur du chariot de l'appareil qui pourraient bloquer la circulation de l'air de combustion vers le dessous du panneau de commande ou de la chambre de combustion.
- NE déconnectez ou NE changez PAS la bonbonne de gaz à moins de 3 m d'une flamme nue ou de toute autre source d'ignition

Position de la bonbonne

Cylindre ne peut pas être placé sous ou dans l'appareil. Cylindres doivent être placés sur le côté et à l'arrière de l'appareil. Les bouteilles doivent être un diamètre maximal de 345 mm et une hauteur maximale de 600 mm. Les bouteilles placées sur le terrain ne doivent pas être placées sous la plaque chauffante.

Exigences relatives au régulateur

Un régulateur doit être utilisé avec cet appareil. Utilisez uniquement un régulateur à gaz fourni avec votre barbecue. Si un régulateur n'est pas fourni, utilisez alors uniquement un régulateur certifié selon EN16129 (Débit max. 1,5 kg/h) et approuvé pour votre pays et votre gaz indiqués dans les Données techniques.

Exigences relatives au tuyau

Utilisez uniquement un tuyau approuvé qui est certifié selon les normes EN et qui ne dépasse pas 1,5 m de long. Pour la Finlande, la longueur du tuyau ne doit pas dépasser 1,2 m. Avant chaque utilisation, vérifiez si les tuyaux sont coupés ou usés. Assurez-vous que le tuyau n'est pas entortillé. Assurez-vous qu'une fois connecté, le tuyau ne touche aucune surface chaude. Remplacez les tuyaux endommagés avant d'utiliser l'appareil. Remplacez le tuyau tel que requis par les exigences nationales.

Dispositif d'allumage

- **Ne vous penchez pas au-dessus du barbecue en procédant à l'allumage.**

1. Tournez les vannes de régulation du brûleur en position ○ (off).
2. Ouvrez le couvercle pendant l'allumage ou la nouvelle tentative d'allumage.
3. Ouvrez le gaz de la bonbonne GPL.
4. Pour allumer, appuyez et tournez le bouton du brûleur d'allumage vers la position 🔥 HIGH. Appuyez ensuite immédiatement et maintenez le bouton d'ALLUMAGE ÉLECTRONIQUE jusqu'à ce que le brûleur s'allume.
5. S'il n'y a PAS d'allumage dans les 5 secondes, fermez les boutons de réglage ○, attendez 5 minutes et répétez la procédure.
6. Pour allumer les autres brûleurs, pousser et tourner le bouton en position haute en commençant par les brûleurs les plus proches du premier GRAVEUR IGNITION.



Fermez les boutons de réglage et la bonbonne de gaz lorsque vous n'utilisez pas l'appareil.

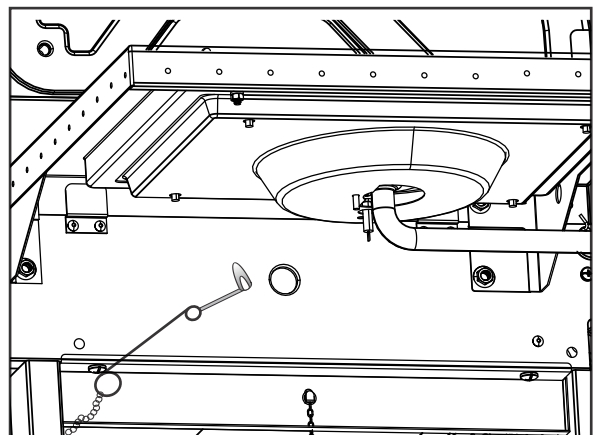


S'il n'y a PAS d'allumage dans les 5 secondes, fermez les boutons de réglage, attendez 5 minutes et répétez la procédure. Si le brûleur ne s'allume pas avec la vanne ouverte, le gaz continuera de s'échapper du brûleur et pourrait accidentellement s'enflammer et causer des blessures.

Allumage par allumette

- **Ne vous penchez pas au-dessus du barbecue en procédant à l'allumage.**

1. Tournez les vannes de régulation du brûleur en position ○ (off).
2. Ouvrez le couvercle pendant l'allumage ou la nouvelle tentative d'allumage.
3. Ouvrez le gaz de la bonbonne GPL.
4. Placez l'allumette dans le porte-allumettes (qui est suspendu au panneau latéral du barbecue). Allumez l'allumette; puis allumez le brûleur en plaçant l'allumette à travers le trou d'allumage par allumette sur le côté du barbecue. Appuyez immédiatement sur le bouton du brûleur et tournez-le vers la position 🔥 HIGH. Assurez-vous que le brûleur s'allume et reste allumé.
5. Allumez les brûleurs adjacents dans l'ordre en appuyant sur les boutons de réglage et en les tournant vers la position HIGH.



Test d'étanchéité des vannes, du tuyau et du régulateur

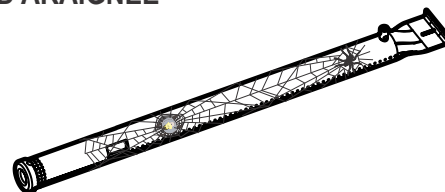
Effectuez un test d'étanchéité avant la première utilisation, au moins une fois par an et à chaque fois que vous changez ou déconnectez la bonbonne.

1. Mettez tous les boutons de commande en position ○.
2. Assurez-vous que le régulateur est solidement relié à la bonbonne de gaz.
3. Ouvrez le gaz. Si vous entendez un bruit strident, coupez immédiatement le gaz. Il y a une fuite importante au niveau du raccordement. Corrigez avant de poursuivre.
4. Passez une solution savonneuse (mélange constitué à moitié de savon et à moitié d'eau) sur les raccords des tuyaux.
5. Si des bulles apparaissent, il y a une fuite. Coupez immédiatement le gaz au niveau de la bonbonne et vérifiez l'étanchéité des raccordements. Si la fuite ne peut pas être arrêtée, n'essayez pas de la réparer. Appelez pour obtenir des pièces de rechange.
6. Coupez toujours le gaz au niveau de la bonbonne après avoir effectué le test de fuite.



ALERTE CONTRE LES ARAIGNÉES !

ARAIGNÉES ET TOILES D'ARAIGNÉE



Si votre barbecue s'allume difficilement ou si la flamme est faible, vérifiez et nettoyez les brûleurs et les venturis.

Des araignées ou de petits insectes sont connus pour créer des problèmes de retour de flamme en construisant des nids et en pondant des œufs dans le venturi ou le brûleur du barbecue, obstruant la circulation du gaz. Le gaz bloqué peut s'enflammer derrière le panneau de commande. Ce retour de flamme peut endommager votre barbecue et causer des blessures. Pour éviter les retours de flamme et garantir de bonnes performances, le brûleur et l'ensemble tube venturi doivent être retirés et nettoyés à chaque fois que le barbecue reste inutilisé pendant une longue période.

SI L'APPAREIL NE S'ALLUME PAS

- Assurez-vous que la bonbonne de gaz est ouverte.
- Vérifiez qu'il y a du gaz dans la bonbonne.
- L'allumeur fait-il un bruit d'étincelles? Si oui, vérifiez s'il y a des étincelles au niveau du brûleur.
- S'il n'y a pas d'étincelles, vérifiez s'il y a des câbles endommagés ou lâches.
- Si les câbles sont en bon état, vérifiez s'il y a une électrode fendue ou cassée, procédez à un remplacement si nécessaire.
- Si les câbles ou les électrodes sont couverts par des résidus de cuisson, nettoyez la pointe de l'électrode à l'aide d'un chiffon imbibé d'alcool, si nécessaire.
- Au besoin, remplacez les câbles.
- S'il n'y a pas de bruit, vérifiez la batterie.
- Assurez-vous que la batterie est correctement installée.
- Vérifiez s'il y a des connexions lâches des câbles au niveau du module et de l'interrupteur.
- Si l'allumeur continue à ne pas fonctionner, utilisez une allumette.

Nettoyage de l'ensemble brûleur

Suivez ces instructions pour nettoyer et/ou remplacer les pièces de l'ensemble brûleur ou si vous avez des difficultés à allumer le barbecue.

1. Coupez le gaz avec les boutons de commande et au niveau de la bonbonne GPL.

2. Retirez les grilles de cuisson et les tentes thermiques.
3. Retirez les tuyaux de transfert et les fixations des brûleurs.
4. Détachez l'électrode du brûleur.

REMARQUE: La méthode de retrait/détachement dépendra de la configuration du brûleur. Consultez les différentes configurations dans les illustrations ci-dessous.

5. Soulevez délicatement chaque brûleur et éloignez des ouvertures des vannes. Nous suggérons trois façons de nettoyer les tuyaux du brûleur. Utilisez la méthode qui vous semble la plus simple.

- A. Pliez un fil rigide (un léger cintre fonctionne bien) pour former un petit crochet. Insérez le crochet dans chaque tuyau du brûleur à plusieurs reprises.



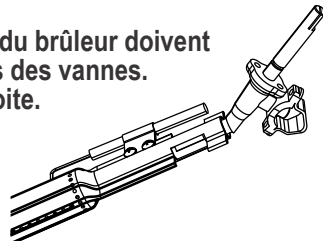
- B. Utilisez un écouvillon étroit avec un manche flexible (n'utilisez pas de brosse en laiton). Insérez le crochet dans chaque tuyau du brûleur à plusieurs reprises.

- C. Portez des lunettes de protection: Utilisez un tuyau d'air pour forcer l'air dans le tuyau du brûleur et le faire sortir par les orifices du brûleur. Vérifiez chaque orifice pour vous assurer que l'air sort de chaque trou.

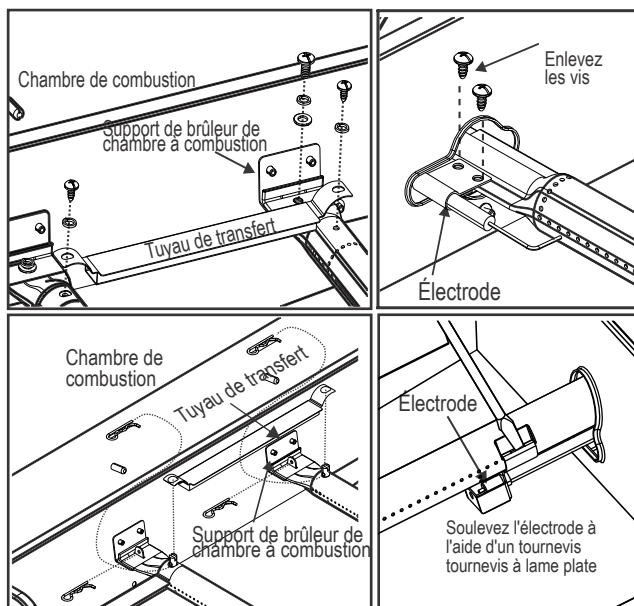
6. Utilisez une brosse métallique sur toute la surface extérieure du brûleur pour enlever les résidus alimentaires et la saleté.
7. Nettoyez tous les orifices bloqués à l'aide d'un fil rigide comme un trombone déplié.
8. Vérifiez si le brûleur présente des dommages dus à l'usure et à la corrosion, certains trous pouvant s'élargir. Si vous constatez de grosses fissures ou des trous, remplacez le brûleur.

TRÈS IMPORTANT: Les tuyaux du brûleur doivent s'imbriquer avec les ouvertures des vannes. Consultez les illustrations à droite.

**Bonne imbrication
brûleur à vanne**



9. Fixez l'électrode au brûleur.
10. Repositionnez délicatement les brûleurs.
11. Fixez les brûleurs aux supports de la chambre de combustion.
12. Repositionnez les tuyaux de transfert et fixez-les aux brûleurs. Remplacez les tentes thermiques et les grilles de cuisson.
13. Avant de réutiliser le barbecue, procédez à un « Test de fuite » et une « Vérification de la flamme du brûleur ».



Rangement de votre appareil

- Nettoyez les grilles de cuisson.
- Conservez dans un endroit sec.
- Lorsque la bonbonne de gaz est raccordée à l'appareil, rangez l'appareil dans un espace bien ventilé et hors de portée des enfants.
- Recouvrez l'appareil s'il est entreposé à l'extérieur.
- Rangez l'appareil à l'intérieur seulement si la bonbonne de gaz est fermée et débranchée, retirée de l'appareil et rangée à l'extérieur.
- En sortant l'appareil de l'endroit où il était rangé, vérifiez si le brûleur est obstrué.

Consignes générales de nettoyage de l'appareil

- Nettoyez régulièrement l'appareil, de préférence après chaque utilisation. Si une brosse avec soies est utilisée pour le nettoyage des surfaces de cuisson de l'appareil, assurez-vous qu'aucun poil ne reste accroché aux surfaces de cuisson avant de commencer à utiliser le barbecue. Il n'est pas recommandé de nettoyer la surface de cuisson lorsque l'appareil est chaud. L'appareil doit être nettoyé au moins une fois par an.
- Ne confondez pas l'accumulation brune ou noire de graisse et de fumée avec de la peinture. Les intérieurs des barbecues au gaz ne sont pas peints à l'usine (et ils ne doivent jamais l'être). Appliquez une forte solution d'eau et de détergent ou utilisez un produit nettoyant pour appareil avec une brosse à récurer pour les parties intérieures du couvercle et du fond de l'appareil. Rincez et laissez sécher à l'air complètement. N'appliquez pas de nettoyant à base de soude caustique pour appareil/four sur les surfaces peintes.
- Parties en plastique: lavez à l'eau savonneuse et essuyez. N'utilisez pas de citrisol, de nettoyeurs abrasifs, de dégraissants ou un nettoyant concentré pour appareil sur les parties en plastique. Cela pourrait causer des dommages et un mauvais fonctionnement de certaines pièces.
- Surfaces en porcelaine: en raison de la composition proche du verre, la plupart des résidus peuvent être éliminés à l'aide d'une solution de bicarbonate de soude/eau ou d'un nettoyant spécialement formulé. Utilisez une poudre à récurer non-abrasive pour les taches tenaces.
- Surfaces peintes: lavez avec un détergent doux ou un nettoyant non-abrasif et de l'eau tiède savonneuse. Essuyez à l'aide d'un chiffon non abrasif.
- Surfaces en acier inoxydable: pour maintenir l'aspect haute qualité de votre appareil, lavez à l'aide d'un détergent doux et d'eau tiède savonneuse et essuyez avec un chiffon doux après chaque utilisation. Les dépôts de graisse incrustée peuvent nécessiter l'utilisation d'un tampon de nettoyage abrasif en plastique. Utilisez uniquement dans le sens du fini brossé pour éviter d'endommager la surface. N'utilisez pas de tampon abrasif sur les zones avec des images graphiques.
- Surfaces de cuisson: si une brosse avec soies est utilisée pour le nettoyage des surfaces de cuisson de l'appareil, assurez-vous qu'aucun poil ne reste accroché aux surfaces de cuisson avant de commencer à utiliser le barbecue. Il n'est pas recommandé de nettoyer les surfaces de cuisson lorsque l'appareil est chaud.

Acier inoxydable

Il existe de nombreux types différents (alliages) de matériaux qui sont considérés comme de l'acier inoxydable.

Une caractéristique commune de ces différents types est qu'ils peuvent se corroder (oxydation), en fonction des conditions de leur environnement.

Cela s'applique également à votre nouveau barbecue.

Veillez suivre les conseils ci-dessous pour vous assurer que votre barbecue conserve son apparence et ses fonctionnalités durant de nombreuses années.

1) Si le barbecue devient mouillé ou humide, veillez à le sécher à l'aide d'un chiffon afin d'éviter que la surface ne se corrode.

2) L'acier inoxydable peut rouiller sous certaines conditions. Ceci peut être causé par les conditions environnementales, comme la présence de chlore ou d'eau salée, ou en utilisant des outils de nettoyage inappropriés, comme de la laine de verre ou d'acier. Il peut également se décolorer en raison de la chaleur, de produits chimiques ou d'une accumulation de graisse.

3) Pour conserver l'apparence superbe de votre appareil, lavez-le avec un détergent doux et de l'eau chaude savonneuse puis essuyez-le avec un chiffon doux après chaque utilisation. Les dépôts de graisse s'étant collés sous l'effet de la chaleur peuvent nécessiter l'utilisation d'un tampon de nettoyage abrasif en plastique. Utilisez-le uniquement dans la direction de la finition brossée pour éviter de l'endommager. N'utilisez pas de tampon abrasif sur les zones comportant des graphismes.

4) Graissez les pièces internes du barbecue et les grilles avec de l'huile de cuisson.

Veillez noter :

Pour éviter de rayer la surface ainsi que la formation de rouille, n'utilisez jamais de laine d'acier ou similaire lors du nettoyage de l'acier inoxydable.

Lors du nettoyage, effectuez des mouvements dans le même sens que l'effet brossé de l'acier inoxydable, dans le « sens du grain ».

Le nettoyage au moyen de produits abrasifs peut provoquer des rayures.

Le stockage du barbecue près de la mer, d'une piscine ou d'un spa entraînera sa corrosion (oxydation).

Couvrez votre barbecue pour le protéger de la rouille.

DONNÉES TECHNIQUES
CHAR-BROIL, LLC

Nom de l'appareil	Barbecue au gaz / Gril au gaz			
Débit calorifique nominal total	8.21kW (597 g/h)		7,03kW (512 g/h)	
Catégorie de gaz	I3+(28-30/37)	I3B/P(30)	I3B/P(50)	
N° de modèle	468402118		468401118	
Type de gaz	Butane	Propane	Butane, Propane ou leurs mélanges	Butane, Propane ou leurs mélanges
Pression du gaz	28-30 mbar	37 mbar	30 mbar	50 mbar
Taille de l'injecteur taille (ø mm)	Barbecue : 1,03x 2 pcs		Barbecue : 1,03 x 2 pcs	Barbecue : 0,80 x 2 pcs
	Plaque chauffante : S.O.		Plaque chauffante : S.O.	Plaque chauffante : S.O.
Pays de destination	GB, FR, BE, ES, IT, PT, CZ, SK		DK, NO, NL, SE, FI, IS, CZ, IT, SK	AT, DE, CH, LU

Batterie 1,5 VDC

INSTALLATEUR/MONTEUR:

Dieses Handbuch ist zum Verbleib beim Verbraucher bestimmt.

VERBRAUCHER:

Bewahren Sie dieses Handbuch zum späteren Nachschlagen auf.

Fragen:

Wenn Sie während der Montage oder bei der Nutzung dieses Geräts Fragen haben, wenden Sie sich an Ihren Händler vor Ort.



GEFAHR



Wenn Sie Gas riechen:

1. Schalten Sie die Gaszufuhr des Geräts ab.
2. Löschen Sie jegliches offenes Feuer.
3. Deckel öffnen.
4. Wenn der Geruch weiterhin anhält, bleiben Sie dem Gerät fern und rufen Sie Ihren Gaslieferanten oder Ihre Feuerwache umgehend an.



WARNUNG



1. Lagern Sie weder Benzin noch andere brennbare Flüssigkeiten in der Nähe dieser oder anderer Haushaltsgeräte auf.
2. Eine Gasflasche, die nicht zur Nutzung angeschlossen ist, soll nicht in der Nähe dieser oder anderer Haushaltsgeräte aufbewahrt werden.



ACHTUNG



- Lesen und befolgen Sie vor der Montage oder Inbetriebnahme zum Kochen alle Sicherheitshinweise, Montage- und Nutzungsanweisungen sowie Pflegeanleitungen.
- Einige Teile können scharfe Kanten aufweisen. Wir empfehlen, Schutzhandschuhe zu tragen.

Fettbrände

- Einen Fettbrand durch Schließen des Deckels zu löschen, ist nicht möglich. Grillgeräte sind aus Sicherheitsgründen sehr gut belüftet.
- Löschen Sie einen Fettbrand nicht mit Wasser, dies könnte zu Verletzungen führen. Wenn sich ein fortdauernder Fettbrand entwickelt, schließen Sie die Drehknöpfe und die Gasflasche.
- Wenn dieses Gerät nicht regelmäßig gereinigt wurde, kann ein Fettbrand auftreten, der das Produkt beschädigen könnte. Achten Sie daher sehr darauf, wenn Sie vorheizen oder Lebensmittelrückstände sicherzustellen, dass sich kein Fettbrand entwickelt. Befolgen Sie die Anweisungen der üblichen Gerätereinigung und Reinigung des Brennerautomaten, um Fettbrände zu verhindern. Der beste Weg, Fettbrände zu verhindern, besteht in der regelmäßigen Reinigung des Geräts.
- Lassen Sie den Grill nicht unbeaufsichtigt, während Sie vorheizen oder Lebensmittelrückstände auf hoher Stufe abbrennen. Wenn der Grill nicht regelmäßig gereinigt wurde, kann ein Fettbrand auftreten, der das Produkt beschädigen könnte.

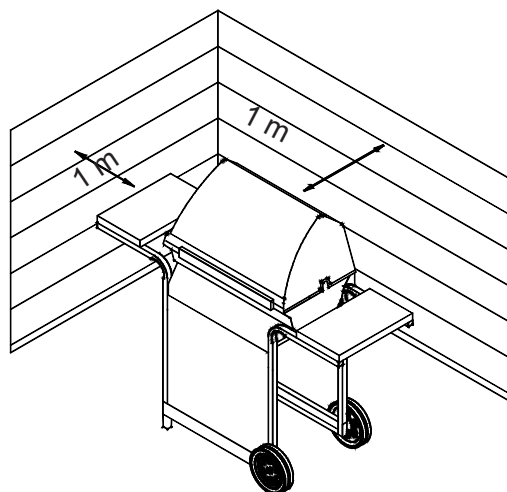


WARNUNG



Zur sicheren Verwendung Ihres Geräts und zur Vermeidung ernsthafter Verletzungen:

- **NUR IM FREIEN VERWENDEN. NIEMALS IN GESCHLOSSENEN RÄUMEN VERWENDEN.**
- **Lesen Sie die Anweisungen vor Inbetriebnahme des Geräts. Befolgen Sie stets folgende Anweisungen:**
 - Bewegen Sie das Gerät während der Nutzung nicht.
 - Zugängliche Teile können sehr heiß sein. Halten Sie kleine Kinder fern. Lassen Sie Kinder nicht in der Nähe des Geräts herumtollen oder spielen.
 - Drehen Sie die Gaszufuhr an der Flasche nach Gebrauch ab.
 - Dieses Gerät muss von brennbarem Material während des Gebrauchs ferngehalten werden.
 - Verdecken Sie nicht die Löcher an den Seiten oder im hinteren Bereich des Geräts.
 - Prüfen Sie die Brennerflammen regelmäßig.
 - Blockieren Sie den Venturi-Ventilauslass am Brenner nicht.
 - Benutzen Sie das Gerät nur an einem gut belüfteten Ort. Benutzen Sie das Gerät **NIEMALS** in einem geschlossenen Raum wie einem Carport, einer Garage, einer Veranda, einem überdachten Hof oder unter einer Überdachung jeglicher Art.
 - Benutzen Sie weder Holzkohle noch Keramik-Briketts in einem Gas-Grillgerät.
 - Bedecken Sie die Grillroste **NIEMALS** mit Aluminiumfolie oder anderem Material. Dies blockiert die Brenner-Ventilation und schafft einen potentiell gefährlichen Zustand, der in Sach- oder Personenschaden resultieren könnte.
 - **Benutzen Sie das Gerät mindestens einen Meter von jeder Wand oder Oberfläche entfernt.**
 - Halten Sie 3 m Abstand zu Gegenständen ein, die Feuer fangen könnten, oder zu Zündquellen wie Kontroll-Leuchten von Wasserkochern, angeschalteten Elektrogeräten usw.



- Versuchen Sie **NIEMALS**, den Brenner mit geschlossenem Deckel anzuzünden. Eine Ansammlung von nicht-entzündetem Gas innerhalb eines geschlossenen Geräts ist gefährlich.
- Schalten Sie das Gas an der Flasche immer ab und unterbrechen Sie die Verbindung zum Regler, bevor Sie die Gasflasche von ihrem bestimmungsmäßigen Einsatzort wegbewegen.
- Nehmen Sie das Gerät mit Gasflasche nicht außerhalb seines bestimmungsmäßig korrekten Einsatzorts in Betrieb.
- Nehmen Sie keine Veränderungen am Gerät vor. Jegliche Veränderung ist strengstens untersagt. Versiegelte Bauteile dürfen nicht vom Benutzer manipuliert werden. Demontieren Sie die Injektoren nicht.

Sicherheits-Tipps

- Bevor Sie ein Gasflaschen-Ventil öffnen, prüfen Sie den Regler auf Dichtigkeit.
- Wenn das Gerät nicht in Gebrauch ist, stellen Sie die Gaszufuhr mit den Drehreglern ab.
- Benutzen Sie Grillwerkzeug mit langem Griff und Topflappen, um Verbrennungen und Brandblasen zu vermeiden. Verwenden Sie Schutzhandschuhe, wenn Sie mit heißen Bauteilen hantieren.
- Die maximale Belastung für die Heizplatte, sofern vorhanden, und die Seitenablage beträgt 4,5 kg. Der Mindestdurchmesser des Kochtopfs beträgt 200 mm und maximal 260 mm. HINWEIS: Ihr Grill könnte NICHT mit einer Heizplatte ausgestattet sein!
- Eine Fettwanne (sofern vorhanden) muss in das Gerät eingeschoben werden und nach jedem Gebrauch geleert werden. Entfernen Sie die Fettwanne nicht, bevor das Gerät sich komplett abgekühlt hat.
- Seien Sie besonders vorsichtig, wenn Sie den Deckel öffnen, da heißer Dampf entweichen könnte.
- Seien Sie besonders vorsichtig, wenn Kinder, Senioren oder Haustiere in der Nähe sind.
- Wenn sie bemerken, dass Fett oder anderes heißes Material vom Gerät auf das Ventil, den Schlauch oder den Regler tropft, schalten Sie sofort die Gaszufuhr ab. Bestimmen Sie die Ursache, beheben Sie sie, säubern und inspizieren Sie dann das Ventil, den Schlauch und den Regler, bevor Sie fortfahren. Machen Sie einen Dichtigkeitstest.
- Lagern Sie keine Gegenstände oder Materialien im Gerätewagen-Gehäuse, das den Verbrennungsluft-Durchsatz zur Unterseite von entweder der Bedienleiste oder der Wanne des Brennraums blockieren würde.
- Unterbrechen Sie den Anschluss NICHT oder wechseln Sie NICHT die Gasflasche, wenn Sie weniger als 3 m von einer offenen Flamme oder einer anderen Zündquelle entfernt sind.

Unterbringung der Gasflasche

Gasflaschen-Platzierung

Gasflaschen können nicht unter oder in das Gerät gestellt werden. Flaschen sind an der Seite und an der Rückseite des Gerätes zu platzieren. Flaschen sind ein maximaler Durchmesser von 345mm und maximale Höhe von 600mm. Flaschen, die auf den Boden gestellt werden, dürfen nicht unter die Heizplatte gestellt werden.

Anforderungen an den Gasdruckregler

Ein Gasdruckregler muss zusammen mit diesem Gerät verwendet werden. Nutzen Sie nur Gasdruckregler, die zusammen mit Ihrem Grill geliefert wurden. Wenn kein Regler mitgeliefert wird, dann benutzen Sie nur gemäß EN 16129 zertifizierte Regler (maximaler Durchfluss 1,5 kg/h) und die, die für Ihr Land und gemäß technischer Daten für Gas zugelassen sind.

Anforderungen an Schläuche

Nutzen Sie nur zugelassene Schläuche, die nach ordnungsgemäßen EN-Normen zertifiziert sind und die eine Länge von 1,5 m nicht überschreiten. In Finnland darf die Schlauchlänge 1,2 m nicht überschreiten. Prüfen Sie vor jeder Nutzung, ob die Schläuche Risse oder Abnutzungen aufweisen. Vergewissern Sie sich, dass der Schlauch nicht geknickt ist. Sorgen Sie dafür, dass der angeschlossene Schlauch nicht mit heißen Oberflächen in Berührung kommt. Ersetzen Sie beschädigte Schläuche, bevor Sie das Gerät verwenden. Ersetzen Sie den Schlauch, wie es die Richtlinien in Ihrem Land erfordern.

Gas entzünden mit elektronischem Zündbrenner

• **Lehnen Sie sich nicht über den Grill, während Sie ihn zünden.**

1. Drehen Sie das Gasbrenner-Regelventil auf \bigcirc (aus).
 2. Öffnen Sie den Deckel während des Anzündens oder des erneuten Zündens.
 3. Drehen Sie das Gas an der Gasflasche auf AN.
 4. Zum Zünden drücken und drehen Sie den Zündbrenner-Drehknopf auf \blacktriangledown HOCH.
- Drücken und halten Sie sofort den ELEKTRONISCHEN ZÜNDBRENNER-Knopf, bis der Brenner zündet.
5. Wenn die Zündung NICHT innerhalb von 5 Sekunden eintritt, drehen Sie den Brenner-Regler aus \bigcirc , warten Sie 5 Minuten und wiederholen Sie den Zündungsvorgang.
 6. Zum Anzünden Brenner bleibt, drücken und Regler auf die Position HIGH dreht mit den Brennern ersten am nächsten an die Zündbrenner starten.

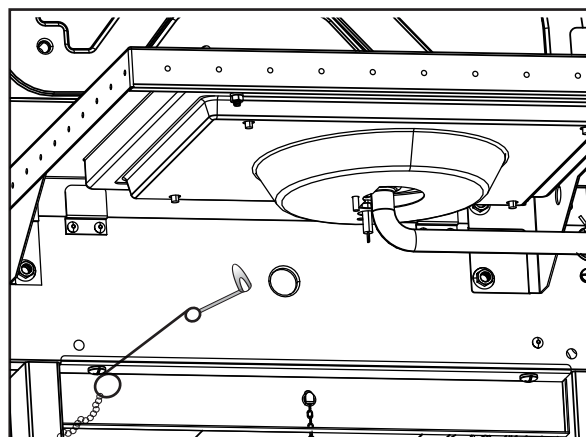
	WARNUNG	
Drehen Sie die Regler und Gasflasche bei Nichtgebrauch aus.		

	ACHTUNG	
Wenn die Zündung NICHT innerhalb von 5 Sekunden eintritt, drehen Sie den Brenner-Regler aus \bigcirc, warten Sie 5 Minuten und wiederholen Sie den Zündungsvorgang. Wenn der Brenner nicht mit geöffnetem Gas-Ventil zündet, wird weiterhin Gas aus dem Brenner austreten und könnte versehentlich gezündet werden, wobei ein Verletzungsrisiko besteht.		

Gas entzünden mit Streichholz

• **Lehnen Sie sich nicht über den Grill, während Sie ihn zünden.**

1. Drehen Sie die Gasbrenner-Regelventile auf \bigcirc (aus).
2. Öffnen Sie den Deckel während des Anzündens oder des erneuten Zündens.
3. Drehen Sie das Gas an der Gasflasche auf AN.
4. Legen Sie die Streichhölzer in den Streichholz-Halter (hängt an der Seitenverkleidung des Grills). Zünden Sie das Streichholz an; zünden Sie dann den Brenner an, indem Sie das Streichholz durch das Streichholz-Loch an der Seite des Grills halten. Drücken und drehen Sie den Brenner-Drehknopf sofort auf die Stellung \blacktriangledown HOCH. Vergewissern Sie sich, dass der Brenner brennt und angezündet bleibt.
5. Zünden Sie angrenzende Brenner der Reihe nach an, indem Sie die Drehknöpfe eindrücken und auf die Stellung \blacktriangledown HOCH drehen.



Dichtigkeitstest für Ventile, Schlauch und Regler

Führen Sie einen Dichtigkeitstest vor der Erstinbetriebnahme aus, mindestens einmal pro Jahr und jedes Mal, wenn die Gasflasche gewechselt wurde oder die Verbindung getrennt war.

1. Drehen Sie alle Drehregler des Geräts auf 0.
2. Vergewissern Sie sich, dass der Gasdruckregler mit der Gasflasche fest verbunden ist.
3. Drehen Sie das Gas an. Falls Sie ein zischendes Geräusch hören, stellen Sie das Gas sofort ab. Es gibt eine größere Undichtigkeit in der Verbindung. Reparieren Sie diese, bevor Sie fortfahren.
4. Bürsten Sie eine seifige Lösung auf die Schlauchverbindungen (Mischung aus halb Seife und halb Wasser).
5. Wenn Blasen auftauchen, die immer größer werden, ist dort eine Undichtigkeit. Stellen Sie das Gas an der Flasche sofort ab und prüfen Sie, ob die Verbindungen fest sind. Wenn die Leckage nicht abgedichtet werden kann, versuchen Sie nicht, sie zu reparieren. Fordern Sie Ersatzteile an.
6. Stellen Sie stets das Gas an der Flasche ab, nachdem Sie einen Dichtigkeitstest ausgeführt haben.



ACHTUNG



SPINNEN-ALARM!

SPINNEN UND SPINNENNETZE IM BRENNER



Wenn Ihr Grill schwer anzuzünden ist oder die Flamme schwach ist, prüfen und reinigen Sie die Venturi-Schläuche und die Brenner.

Spinnen oder kleine Insekten sind dafür bekannt, Rückstau-Probleme zu schaffen, indem sie Nester bauen und Eier in die Venturi-Schläuche oder Brenner des Grills legen, was den Gasdurchfluss verhindern kann. Das rückgestaute Gas kann sich hinter dem Bedienfeld entzünden. Dieser Rückstau kann Ihren Grill beschädigen und Verletzungen verursachen. Um Rückstau zu verhindern und für eine gute Leistung zu sorgen, sollten der Brenner und die Venturi-Schlauch-Elemente entfernt und gereinigt werden, wenn der Grill für einen längeren Zeitraum unbenutzt war.

WENN DAS GERÄT NICHT ZÜNDET

- Vergewissern Sie sich, dass das Gas an der Flasche aufgedreht ist.
- Vergewissern Sie sich, dass sich Gas in der Flasche befindet.
- Macht der Zünder ein Geräusch wie bei einer Funkenbildung?
 - Falls ja, prüfen Sie, ob am Brenner Funken entstehen.
 - Falls keine Funken vorhanden sind, prüfen Sie, ob die Kabel beschädigt oder locker sind.
- Wenn die Kabel in Ordnung sind, prüfen Sie, ob Elektroden gerissen oder zerbrochen sind, ersetzen Sie sie bei Bedarf.
- Wenn Drähte oder Elektroden von Essensrückständen bedeckt sind, reinigen Sie die Elektrodenspitze mit einem in Alkohol getränkten Tuch, wenn es erforderlich ist.
- Ersetzen Sie die Kabel bei Bedarf.
- Wenn keine Geräusche auftreten, prüfen Sie die Batterie.
- Vergewissern Sie sich, dass die Batterie korrekt eingebaut ist.
- Prüfen Sie, ob sich die Kabelverbindungen am Modul und Schalter gelockert haben.
- Falls die Zündung weiterhin nicht funktioniert, verwenden Sie ein Streichholz.

Reinigung der Brennelemente

Folgen Sie dieser Anweisung, um Teile der Brennelemente zu reinigen und/oder zu ersetzen, oder wenn Sie Schwierigkeiten haben, den Grill zu zünden.

1. Stellen Sie das Gas an den Drehreglern der Gasflasche ab.

- Entfernen Sie die Grillroste und den Flammenschutz.
- Entfernen Sie die Schlauchführung und die Schrauben, die den Brenner sichern.
- Entnehmen Sie die Elektrode aus dem Brenner.

HINWEIS: Die Methode, wie entfernt/entnommen wird, ist abhängig von der Brennerkonfiguration. Bitte betrachten Sie hierzu verschiedene Konfigurationen in den Abbildungen unten.

- Heben Sie vorsichtig jeden Brenner hoch und von den Ventilöffnungen weg. Wir empfehlen drei Methoden, die Brennerschläuche zu reinigen. Verwenden Sie diejenige, die für Sie am leichtesten ist.

A. Biegen Sie einen festen Draht (ein Leichtmetall-Kleiderbügel ist für diesen Zweck gut geeignet) in einen schmalen Haken. Führen Sie den Haken mehrere Male durch jeden Brennerschlauch.

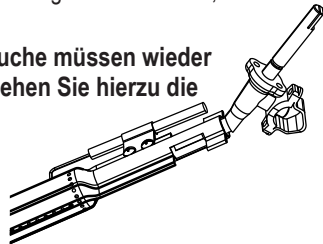
B. Verwenden Sie eine schmale Flaschenbürste mit einem flexiblen Griff (verwenden Sie keine Messingdrahtbürste). Führen Sie die Bürste mehrere Male durch jeden Brennerschlauch.

C. Tragen Sie eine Schutzbrille: Treiben Sie unter Druck mittels eines Luftschlauchs Luft in den Brennerschlauch und aus den Brenneröffnungen wieder hinaus. Prüfen Sie jede Öffnung, um sich zu vergewissern, dass aus jedem Loch Luft strömt.

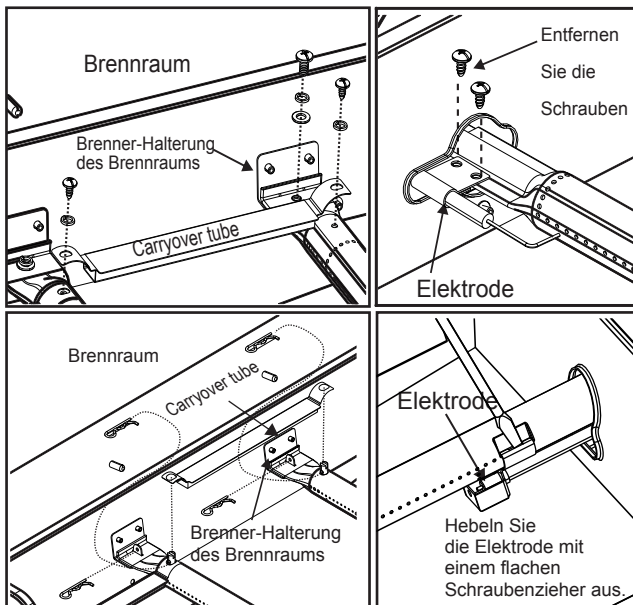
- Bürsten Sie die gesamte äußere Oberfläche des Brenners mit einer Drahtbürste ab, um Essensrückstände und Schmutz zu entfernen.
- Reinigen Sie alle verstopften Öffnungen mit einem steifen Draht wie beispielsweise einer aufgebogenen Büroklammer.
- Prüfen Sie, ob der Brenner aufgrund von normaler Abnutzung oder Korrosion beschädigt ist, einige Löcher können geweitet sein. Wenn irgendwelche großen Risse oder Löcher gefunden werden, ersetzen Sie den Brenner.

SEHR WICHTIG: Die Brennerschläuche müssen wieder in die Ventilöffnungen einrasten. Sehen Sie hierzu die Abbildung rechts.

Die korrekte Verbindung vom Brenner zum Ventil



- Befestigen Sie die Elektrode am Brenner.
- Ersetzen Sie die Brenner vorsichtig.
- Befestigen Sie die Brenner an den Klammern des Brennraums.
- Bringen Sie die Schlauchführung wieder an und verbinden Sie sie mit dem Brenner. Bringen Sie den Flammenschutz und die Grillroste wieder an.
- Bevor Sie erneut kochen oder grillen, führen Sie einen „Dichtigkeitstest“ und eine „Brennerflammenprüfung“ durch.



Lagerung Ihres Geräts

- Reinigen Sie den Grillrost.
- Lagern Sie ihn an einem trockenen Ort.
- Wenn eine Gasflasche an das Gerät angeschlossen ist, lagern Sie es im Freien an einem gut belüfteten Ort und außerhalb der Reichweite von Kindern.
- Decken Sie das Gerät ab, wenn es im Freien gelagert wird.
- Lagern Sie das Gerät NUR in einem geschlossenen Raum, wenn die Gasflasche abgedreht ist und vom Gerät getrennt im Freien gelagert wird.
- Wenn Sie das Gerät aus dem Lager holen, prüfen Sie, ob der Brenner verstopft ist.

Allgemeine Gerätereinigung

- Reinigen Sie das Gerät oft, vorzugsweise nach jedem Kochen. Das Gerät sollte mindestens einmal jährlich gereinigt werden.
- Halten Sie braune oder schwarze Fettansammlungen und Ruß nicht versehentlich für Farbe. Die Innenseite von Gasgrills werden im Werk nicht lackiert (und sollten niemals lackiert werden). Benutzen Sie eine starke Seifenlauge und Wasser oder benutzen Sie Grillreiniger mit einer Scheuerbürste auf der Innenseite der Gerätehaube und des Gerätebodens. Spülen Sie nach und lassen Sie den Grill vollständig an der Luft trocknen. Verwenden Sie keine ätzenden Mittel/Ofenreiniger auf lackierten Oberflächen.
- Kunststoffteile: Wischen Sie sie mit warmem Seifenwasser ab und reiben Sie sie trocken.
 - Verwenden Sie weder Zitronensäure, Scheuermittel, Entfetter oder konzentrierte Gerätereiniger an Plastikteilen. Dies kann eine Beschädigung oder den Ausfall der Teile verursachen.
- Porzellan-Oberflächen: Wegen ihrer Glas-artigen Zusammensetzung können die meisten Rückstände mit einer Backpulver-Wasser-Lösung oder einem speziell zu diesem Zweck formulierten Reiniger abgewischt werden. Verwenden Sie Scheuersand, der nicht die Oberfläche beschädigt, für hartnäckige Flecken.
- Lackierte Oberflächen: Wischen Sie sie mit mildem und nicht die Oberfläche beschädigenden Reinigungsmittel und warmem Seifenwasser. Reiben Sie es mit einem weichen, nicht-scheuernden Tuch trocken.
- Edelstahl-Oberflächen: Um ein qualitativ hochwertiges Aussehen des Geräts zu erhalten, waschen Sie mit mildem Reinigungsmittel und warmem Seifenwasser und reiben Sie es nach jeder Benutzung mit einem weichen Tuch trocken. Eingebraunte Fettablagerungen könnten die Benutzung eines Kunststoff-Topfkratzer erforderlich machen. Verwenden Sie es nur in Richtung der gebürsteten Oberfläche, um Schäden zu vermeiden. Verwenden Sie keinen die Oberfläche beschädigenden Topfkratzer auf Bereichen mit Aufdruck.
- Koch-Oberfläche: Falls ein Borstenpinsel zur Reinigung einer der Kochflächen des Geräts verwendet wird, vergewissern Sie sich vor dem Grillen, dass keine losen Borsten auf der Kochfläche verblieben sind. Es ist nicht empfehlenswert, die Kochoberfläche zu reinigen, während das Gerät noch heiß ist.

Edelstahl

Es gibt viele verschiedene Materialarten (Legierungen), die als Edelstahl bezeichnet werden.

Eine gemeinsame Eigenschaft dieser verschiedenen Materialarten ist, dass sie abhängig von den Bedingungen, denen sie ausgesetzt sind, rosten (oxidieren).

Dies gilt auch für Ihren neuen Grill.

Damit Ihr Grill sein Aussehen und seine Funktionalität für viele Jahre behält, befolgen Sie bitte diesen Rat:

- 1) Wenn Ihr Grill nass oder feucht geworden ist, wischen Sie ihn mit einem Tuch gründlich trocken, um zu verhindern, dass die Oberfläche rostet.
- 2) Edelstahl kann unter bestimmten Bedingungen rosten. Dies kann durch Umweltbedingungen, wie zum Beispiel Chlor oder Salzwasser, oder aber auch durch ungeeignete Reinigungstools, wie zum Beispiel Drahtbürsten oder Stahlwolle, verursacht werden. Edelstahl kann sich auch durch die Einwirkung von Hitze, Chemikalien oder Schmierfettablagerungen verfärben.
- 3) Um das hochwertige Erscheinungsbild Ihres Geräts beizubehalten, waschen Sie es mit einem milden Reinigungsmittel und warmem Seifenwasser ab und wischen es mit einem weichen Tuch nach jedem Gebrauch trocken. Um angebrannte Schmierfettreste zu entfernen, verwenden Sie eventuell einen rauen Kunststoffschwamm. Benutzen Sie diesen nur in Richtung der lackierten Fläche, um Schäden zu vermeiden. Verwenden Sie keine scheuernden Schleifpads auf bedruckten Bereichen.
- 4) Schmieren Sie die innenliegenden Teile des Grills und den Grillrost mit Speiseöl bzw. Bratfett ein..

Bitte beachten Sie:

Um Kratzer auf der Oberfläche und damit eine Angriffsfläche für Rost zu vermeiden, verwenden Sie niemals Stahlwolle oder Ähnliches für die Reinigung und Pflege von Edelstahl.

Beim Reinigen arbeiten Sie in dieselbe Richtung, in der das Edelstahl gebürstet wurde – ‚in Faserrichtung‘.

Das Reinigen mit Schleifmitteln könnte zu Kratzern führen.

Das Aufbewahren des Grills in Küstennähe, neben einem Swimmingpool oder Whirlpool wird Rostbefall (Oxidierung) beim Grill hervorrufen.

Decken Sie Ihren Grill ab, um ihn vor Rost zu schützen.

TECHNISCHE SPEZIFIKATIONEN
CHAR-BROIL, LLC

Gerätebezeichnung	Gas-Grill			
Gesamtnennwärmezufuhr	8.21kW (597 g/h)			7,03kW (512 g/h)
Gas-Kategorie	I3+(28-30/37)	I3B/P(30)		I3B/P(50)
Modell-Nr.	468402118			468401118
Gas-Art	Butan	Propan	Butan, Propan oder deren Gemische	Butan, Propan oder deren Gemische
Gasdruck	28-30 mbar	37 mbar	30 mbar	50 mbar
Injektorgroße (Durchm. mm)	Grill: 1,03 x 2 Stk.		Grill: 1,03 x 2 Stk.	Grill: 0,80 x 2 Stk.
	Heizplatte: N/A		Heizplatte: N/A	Heizplatte: N/A
Bestimmungsländer	GB, FR, BE, ES, IT, PT, CZ, SK		DK, NO, NL, SE, FI, IS, CZ, IT, SK	AT, DE, CH, LU

1,5 VDC Batterie

INSTALLATORE/ASSEMBLATORE:

Lasciare il presente manuale al consumatore.

CONSUMATORE:

Conservare il presente manuale per riferimenti futuri.

Domande:

Se avete domande durante il montaggio o l'utilizzo di questo apparecchio contattare il rivenditore locale.



PERICOLO



Se si sente odore di gas:

1. Chiudere l'alimentazione del gas all'apparecchio.
2. Spegnerne le eventuali fiamme libere.
3. Aprire il coperchio.
4. Se si continua ad avvertire odore, mantenersi lontani dall'apparecchio e chiamare immediatamente il proprio fornitore di gas o il comando locale dei vigili del fuoco.



AVVERTENZA



1. Non conservare o utilizzare benzina o altri liquidi infiammabili in prossimità di questo o di altri elettrodomestici.
2. Non conservare alcuna bombola di gas non collegata per l'uso in prossimità di questo o di altri elettrodomestici.



ATTENZIONE



- Leggere e seguire tutte le istruzioni di sicurezza, le istruzioni di montaggio e le indicazioni per l'uso e la manutenzione prima di assemblare e cucinare.
- Alcune parti possono contenere bordi taglienti. Indossare guanti di protezione, se consigliato.

Grasso in fiamme

- Se il grasso inizia a bruciare, non è possibile spegnerlo chiudendo semplicemente il coperchio. I barbecue sono ben ventilati per motivi di sicurezza.
- Non utilizzare acqua sul grasso in fiamme, onde evitare possibili lesioni personali. Se un incendio si sviluppa dal grasso in fiamme, ruotare le manopole e la bombola del gas in posizione spenta (OFF).
- Se l'apparecchio non viene pulito regolarmente, è possibile che il grasso si incendi, con il rischio di danneggiare il prodotto. Fare molta attenzione durante il preriscaldamento o lo spegnimento di residui di alimenti in fiamme, al fine di garantire che il grasso non si incendi. Seguire le istruzioni per la pulizia generale dell'apparecchio e la pulizia del gruppo bruciatore, al fine di impedire che il grasso si incendi. Il modo migliore per impedire che il grasso si incendi è eseguire una pulizia regolare dell'apparecchio.
- Non lasciare incustodito il barbecue durante il preriscaldamento o lo spegnimento di residui di alimenti in fiamme. Se il barbecue non viene pulito regolarmente, è possibile che il grasso si incendi, con il rischio di danneggiare il prodotto.



AVVERTENZA



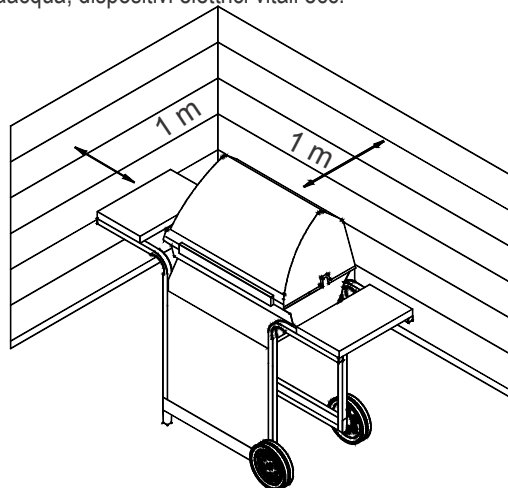
Per un utilizzo sicuro del proprio Apparecchio e per evitare lesioni gravi:

• **UTILIZZARE SOLO ALL'APERTO. NON PER USO INTERNO.**

Leggere le istruzioni prima di utilizzare l'apparecchio.

Attenersi sempre alle istruzioni.

- Non spostare l'apparecchio durante l'uso.
- Le parti accessibili potrebbero essere surriscaldate. Tenere lontano dalla portata dei bambini. Non permettere ai bambini di utilizzare o giocare nelle vicinanze dell'apparecchio.
- Chiudere il rubinetto del gas in prossimità della bombola dopo l'uso.
- Questo apparecchio deve essere tenuto lontano da materiali infiammabili durante l'uso.
- Non ostruire i fori ai lati o sulla parte posteriore dell'apparecchio.
- Controllare le fiamme del bruciatore regolarmente.
- Non ostruire le aperture del tubo di Venturi poste sul bruciatore.
- Utilizzare l'apparecchio solo in uno spazio ben ventilato. Non utilizzare mai in uno spazio chiuso, come posti auto coperto, garage, portici,
- patio coperti o al di sotto di una struttura sopraelevata di qualsiasi tipo.
- Non utilizzare carbone o bricchette di ceramica in un apparecchio a gas.
- **NON** coprire le griglie con un foglio di alluminio o di qualsiasi altro materiale. In questo modo, si ostruirà la ventilazione del bruciatore e si creerà una condizione potenzialmente pericolosa causando danni a cose o beni e/o lesioni personali.
- **Utilizzare l'apparecchio entro una distanza di almeno 1 metro da qualsiasi parete o superficie.**
- Mantenere 3 metri di spazio libero da oggetti che possono incendiarsi o da fonti di accensione, come fiamme pilota di scaldacqua, dispositivi elettrici vitali ecc.



- **NON tentare MAI di accendere il bruciatore con il coperchio chiuso.** Un accumulo di gas non acceso all'interno di un apparecchio chiuso è pericoloso.
- Spegnerne sempre il gas in prossimità della bombola e scollegare il regolatore prima di spostare la bombola del gas dalla posizione di funzionamento specificata.
- Non utilizzare mai l'apparecchio con una bombola di gas mal posizionata rispetto alla sede corretta specificata.
- Non modificare l'apparecchio. Qualsiasi modifica è severamente vietata. Le parti sigillate non devono essere manipolate dall'utilizzatore. Non smontare gli iniettori.

Suggerimenti per la sicurezza

- Prima di aprire la valvola della bombola del gas, controllare la tenuta del regolatore.
- Se l'apparecchio non è in uso, spegnere tutte le manopole di controllo e il gas.
- Utilizzare utensili da barbecue con manico lungo e guanti da forno per evitare ustioni e schizzi. Utilizzare guanti protettivi quando si maneggiano componenti caldi.
- Il carico massimo per la piastra calda, se presente, e il ripiano laterale è di 4,5 kg. Recipiente di cottura con diametro minimo di 200 mm e diametro massimo di 260 mm **NOTA:** Il barbecue dell'utente potrebbe NON essere dotato di una piastra calda!
- La coppa raccogli grassi (se presente) deve essere inserita nell'apparecchio e svuotata dopo ogni utilizzo. Non rimuovere la coppa raccogli grassi prima del completo raffreddamento dell'apparecchio.
- Fare molta attenzione quando si apre il coperchio, in quanto potrebbe fuoriuscire del vapore caldo.
- Fare molta attenzione quando sono presenti bambini, anziani o animali nelle vicinanze.
- Se si nota grasso o altro materiale caldo gocciolare dall'apparecchio sulla valvola, sul tubo o sul regolatore, spegnere immediatamente l'alimentazione del gas. Determinare la causa, correggerla, quindi pulire e ispezionare la valvola, il tubo flessibile e il regolatore prima di continuare. Eseguire una prova di tenuta.
- Non riporre oggetti o materiali all'interno del mobile carrello dell'apparecchio che potrebbero bloccare il flusso dell'aria di combustione sulla parte inferiore del pannello di controllo o della ciotola del focolare.
- NON scollegare o sostituire il contenitore di gas entro una distanza di 3 metri da una fiamma libera o altra fonte di accensione.

Posizionamento della bombola

Il cilindro non può essere posto sotto o all'interno dell'apparecchio. I cilindri sono da posizionare a lato e posteriore dell'apparecchio. I cilindri sono essere un diametro massimo di 345 millimetri e l'altezza massima di 600 mm. Cilindri posizionati a terra non sono poste sotto la piastra calda.

Requisiti del regolatore

Con questo apparecchio deve essere utilizzato un regolatore. Utilizzare solo il regolatore del gas fornito in dotazione con il barbecue. Se il regolatore non fa parte della dotazione, utilizzare solo un regolatore certificato secondo la norma EN16129 (portata massima 1,5 kg/ora) e approvato per il proprio Paese e il gas specificato nei Dati Tecnici.

Requisiti dei tubi flessibili


Utilizzare solo un tubo flessibile approvato che sia certificato secondo i requisiti della normativa EN e che non superi 1,5 metri di lunghezza. Per la Finlandia, la lunghezza del tubo flessibile non deve superare 1,2 metri.

Prima di ogni utilizzo, verificare che i tubi flessibili non presentino tagli o segni di usura. Accertarsi che il tubo flessibile non sia piegato. Accertarsi che una volta collegato il tubo flessibile non venga a contatto con superfici calde. Sostituire i tubi flessibili danneggiati prima di utilizzare l'apparecchio. Sostituire il tubo flessibile come richiesto dalle normative nazionali.

Accensione dell'accenditore

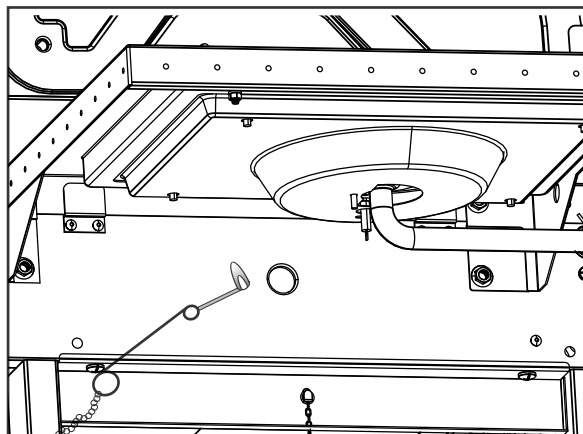
- **Non sporgersi sopra il barbecue durante l'accensione.**
1. Ruotare le valvole di controllo del bruciatore del gas in posizione "spenta" ○ (off).
 2. Aprire il coperchio durante l'accensione o la riaccensione.
 3. Accendere (ON) il gas in prossimità della bombola di gas propano liquido (PL).
 4. Per accendere, spingere e ruotare il bruciatore di accensione in posizione 🔥 "alto" HIGH. Immediatamente, premere e tenere il premutopulsante dell'ACCENDITORE ELETTRONICO fino ad accensione avvenuta.
 5. Se l'accensione NON avviene entro 5 secondi, ruotare le manopole di controllo del bruciatore in posizione "spenta" ○, attendere 5 minuti e ripetere la procedura di accensione.
 6. Per accendere bruciatori rimanente, spingere e ruotare la manopola alla HIGH posizione iniziale con i bruciatori più vicini al bruciatore ACCENSIONE primi.

	AVVERTENZA	
Ruotare le manopole di controllo e la bombola del gas in posizione spenta (OFF) quando non in uso.		

	ATTENZIONE	
Se l'accensione NON avviene entro 5 secondi, ruotare le manopole di controllo del bruciatore in posizione "spenta" ○ attendere 5 minuti e ripetere la procedura di accensione. Se il bruciatore non si accende con la valvola aperta, il gas continuerà a fluire fuori dal bruciatore e potrebbe accidentalmente incendiarsi con rischio di lesioni.		

Accensione con fiammiferi

- **Non sporgersi sopra il barbecue durante l'accensione.**
1. Ruotare le valvole di controllo del bruciatore del gas in posizione "spenta" ○ (off).
 2. Aprire il coperchio durante l'accensione o la riaccensione.
 3. Accendere (ON) il gas in prossimità della bombola di gas propano liquido (PL).
 4. Mettere un fiammifero nel supporto per fiammiferi (appeso al pannello laterale del barbecue). Accendere il fiammifero; quindi, accendere il bruciatore mettendo facendo passare il fiammifero all'interno del foro di accensione sul lato del barbecue. Spingerlo immediatamente all'interno e ruotare la manopola del bruciatore in posizione "alto" 🔥 (HIGH). Accertarsi che l'accensione sia avvenuta e rimanga accesa.
 5. Accendere i bruciatori adiacenti in sequenza spingendo le manopole e ruotandole in posizione "alto" 🔥 (HIGH).



Prove di tenuta delle valvole, del tubo flessibile e del regolatore

Eseguire una prova di tenuta prima del primo utilizzo, almeno una volta l'anno e ad ogni sostituzione o disconnessione della bombola.

1. Ruotare tutte le manopole di controllo dell'apparecchio in posizione ○.
2. Accertarsi che il regolatore sia strettamente collegato alla bombola del gas.
3. Accendere il gas. Se si sente un suono impetuoso, spegnere immediatamente il gas. In tal caso, si è in presenza di una grande perdita in prossimità del collegamento. Correggere il problema prima di procedere.
4. Spazzolare i collegamenti del tubo flessibile con una soluzione saponata (miscela per metà di acqua e sapone).
5. Se compaiono bolle d'aria, significa che è presente una perdita. Spegnerne immediatamente il gas in prossimità della bombola e verificare la tenuta dei collegamenti. Se non è possibile arrestare la perdita, non tentare di riparare. Ordinare le parti di ricambio.
6. Spegnerne sempre il gas in prossimità della bombola dopo avere eseguito la prova di tenuta.



ATTENZIONE



ALLERTA RAGNI!

PRESENZA DI RAGNI E RAGNATELE ALL'INTERNO DEL BRUCIATORE



Se l'apparecchio per barbecue è sempre difficile da accendere o la fiamma è debole, controllare e pulire il tubo di Venturi e i bruciatori.

Ragni o piccoli insetti sono noti per creare problemi di "ritorno di fiamma" costruendo nidi e deponendo le uova all'interno del tubo di Venturi dell'apparecchio per barbecue o del bruciatore ostacolandone il flusso di gas. Il gas di un ritorno di fiamma può incendiarsi dietro il pannello di controllo. Il ritorno di fiamma può danneggiare l'apparecchio per barbecue e causare lesioni. Per evitare ritorni di fiamma e garantire una buona prestazione, il gruppo del bruciatore e del tubo di Venturi deve essere rimosso e pulito ogni volta che l'apparecchio per barbecue rimane inattivo per un periodo di tempo prolungato.

IN CASO DI MANCATA ACCENSIONE DELL'APPARECCHIO

- Accertarsi che il gas sia acceso in prossimità della bombola.
- Accertarsi che il gas sia presente all'interno della bombola.
- L'accenditore produce un rumore di scintille?
 - In presenza di scintille, controllare la presenza di scintille in prossimità del bruciatore.
 - In assenza di scintille, controllare l'eventuale presenza di fili danneggiati o allentati.
- Se i cavi sono integri, controllare che gli elettrodi non siano incrinati o rotti, sostituire se necessario.
- Se i fili o gli elettrodi sono coperti da residui di cottura, pulire gli elettrodi con un batuffolo imbevuto di alcool, se necessario.
- Se necessario, sostituire i cavi.
- In assenza di rumori, controllare la batteria.
- Accertarsi che la batteria sia installata correttamente.
- Controllare l'eventuale presenza di collegamenti di fili allentati in prossimità del modulo e dell'interruttore.
- Se l'accenditore continua a non funzionare, utilizzare un fiammifero.

Pulizia del gruppo bruciatore

Seguire queste istruzioni per pulire e/o sostituire le parti del gruppo bruciatore o in caso di problemi con l'accensione del barbecue.

1. Spegnerne il gas in prossimità delle manopole di controllo e della bombola di PL.

2. Rimuovere le griglie di cottura e i diffusori di calore a tenda.
3. Rimuovere le minuterie di fissaggio dai tubi diffusori e dai bruciatori.
4. Scollegare l'elettrodo dal bruciatore.

NOTA: Il metodo di rimozione/scollegamento dipenderà dalla configurazione del bruciatore. Vedere le diverse configurazioni nelle illustrazioni riportate di seguito.

5. Sollevare delicatamente ogni bruciatore verso l'alto e lontano dalle aperture delle valvole. Suggeriamo tre modi per pulire i tubi del bruciatore. Utilizzare il metodo ritenuto più facile.

A. Piegare un filo metallico rigido (ad esempio, un appendiabiti sottile aperto) a forma di piccolo uncino. Far passare l'uncino attraverso il tubo del bruciatore diverse volte.



B. Utilizzare una spazzola per la pulizia delle bottiglie stretta con un manico flessibile (non utilizzare una spazzola metallica a setole di ottone). Far passare la spazzola attraverso ogni tubo del bruciatore diverse volte.

C. Indossare occhiali protettivi: Utilizzare un tubo flessibile per l'aria compressa per forzare l'aria all'interno del tubo del bruciatore e le fessure del bruciatore. Controllare ogni porta per assicurarsi che l'aria fuoriesca da ogni foro.

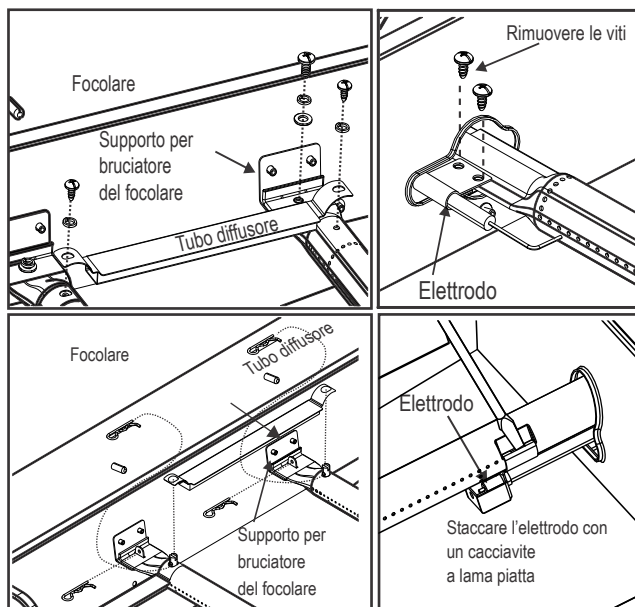
6. Spazzolare con la spazzola metallica tutta la superficie esterna del bruciatore per rimuovere i residui di cibo e sporco.
7. Pulire eventuali porte otturate con un filo metallico rigido, ad esempio una graffetta aperta.
8. Controllare che il bruciatore non presenti segni di danneggiamento, alcuni fori potrebbero allargarsi a causa della normale usura e corrosione. In presenza di grandi crepe o fori sostituire il bruciatore.

MOLTO IMPORTANTE: I tubi del bruciatore devono essere perfettamente agganciati alle aperture delle valvole. Vedere l'illustrazione riportata a destra.

Corretto aggancio del bruciatore alla valvola



9. Collegare l'elettrodo al bruciatore.
10. Ricollocare accuratamente i bruciatori.
11. Fissare i bruciatori alle staffe poste sul focolare.
12. Riposizionare i tubi diffusori e fissarli ai bruciatori. Riposizionare i diffusori di calore a tenda e le griglie di cottura.
13. Prima di cuocere di nuovo sul barbecue, eseguire una "Prova di tenuta" e un "Controllo di fiamma dei bruciatori".



Immagazzinaggio del barbecue

- Pulire le griglie di cottura.
- Conservare in luogo asciutto.
- Quando la bombola del gas è collegata all'apparecchio, immagazzinare all'aperto in uno spazio ben ventilato e fuori dalla portata dei bambini.
- Chiudere l'apparecchio con il coperchio, se immagazzinato all'aperto.
- Immagazzinare l'apparecchio in ambiente interno SOLO se la bombola del gas è scollegata, rimossa dall'apparecchio e immagazzinata all'aperto.
- Al momento di riutilizzare l'apparecchio dopo l'immagazzinaggio, controllare la presenza di eventuali ostruzioni del bruciatore.

Pulizia generale dell'apparecchio

- Pulire l'apparecchio regolarmente, preferibilmente dopo ogni cottura. Se si utilizza una spazzola a setole per la pulizia di tutti i piani di cottura dell'apparecchio, accertarsi che eventuali setole allentate non rimangano sulle superfici di cottura prima di iniziare a cuocere al barbecue. Non è consigliabile pulire la superficie di cottura mentre l'apparecchio è ancora caldo. L'apparecchio deve essere pulito almeno una volta l'anno.
- Non confondere l'accumulo di grasso e fumo di colore marrone o nero per vernice. Le parti interne del barbecue a gas non sono verniciate in fabbrica (e non devono essere mai verniciate). Applicare una forte soluzione di acqua e detergente o utilizzare un detergente per apparecchi utilizzando una spazzola sulle pareti interne del fondo e del coperchio dell'apparecchio. Sciacquare e lasciare asciugare completamente. Non applicare detersivi caustici per apparecchi/forni sulle superfici verniciate.
- Parti in plastica: Lavare con acqua tiepida e sapone e asciugare.
 - Non utilizzare citrisol, detersivi abrasivi, sgrassanti o un detergente concentrato sulle parti in plastica dell'apparecchio, onde evitarne il danneggiamento e la rottura.
- Porcelain surfaces: Because of glass-like composition, most residue can be wiped away with baking soda/water solution or specially formulated cleaner. Use nonabrasive scouring powder for stubborn stains.
- Superfici in porcellana: A causa della composizione simile al vetro, è possibile rimuovere una maggiore quantità di residui utilizzando una soluzione di bicarbonato di sodio/acqua o un detergente appositamente formulato. Utilizzare detersivi in polvere non abrasivi per le macchie ostinate.
- Superfici verniciate: Lavare con un detergente delicato o detergente non abrasivo e acqua tiepida e sapone. Asciugare con un panno morbido non abrasivo.
- Superfici in acciaio inox: Per mantenere l'aspetto di alta qualità del vostro apparecchio, lavare con un detergente delicato e acqua tiepida e sapone e asciugare con un panno morbido dopo ogni utilizzo. I depositi di grasso cotto possono richiedere l'utilizzo di un tampone di pulizia per plastica abrasiva. Utilizzare solo in direzione della finitura spazzolata per evitare danni. Non utilizzare spugne abrasive sulle aree con grafica.
- Piano di cottura: Se si utilizza una spazzola a setole per la pulizia di tutti i piani di cottura dell'apparecchio, accertarsi che eventuali setole allentate non rimangano sulle superfici di cottura prima di iniziare a cuocere al barbecue. Non è consigliabile pulire la superficie di cottura mentre l'apparecchio è ancora caldo.

Acciaio inossidabile

Esistono molti tipi diversi (leghe) di materiali che vengono considerati come acciaio inossidabile.

Un elemento che tutti questi tipi diversi di materiali hanno in comune è che si potrebbero corrodere (ossidare), a seconda delle condizioni alle quali vengono sottoposti.

Questo vale anche per il tuo nuovo barbecue.

Per fare in modo che la tua griglia preservi il proprio aspetto e funzionalità per molti anni, segui attentamente i consigli elencati qui sotto.

1) Se la griglia si è inumidita o bagnata, assicurati di asciugarla utilizzando un panno per evitare che la superficie si corroda.

2) L'acciaio inossidabile potrebbe arrugginarsi in certe condizioni. Ad esempio, condizioni atmosferiche o elementi come il cloro o l'acqua salata, oppure in seguito all'utilizzo di strumenti di pulizia inadeguati, come ad esempio filo di ferro o lana d'acciaio. Potrebbe anche scolorarsi dovuto a temperature elevate, prodotti chimici o l'accumulo di grasso sulla superficie.

3) Per mantenere l'aspetto di alta qualità della tua griglia, è necessario lavarla con un detergente non abrasivo e acqua tiepida con sapone e asciugarla con un panno soffice dopo ogni utilizzo. La rimozione del grasso accumulato potrebbe richiedere l'utilizzo di un tampone di pulizia di plastica abrasivo. Utilizzare soltanto nella direzione della finitura della spazzola per evitare danni alla griglia. Non utilizzare le imbottiture nelle aree dove ci sono elementi grafici.

4) Oliare le parti interne del barbecue e delle griglie con olio da cucina.

Attenzione:

Per evitare di graffiare la superficie e rischiare che si arrugginisca, non utilizzare mai lana d'acciaio o simili strumenti per la pulizia dell'acciaio.

Durante la pulizia della griglia, spazzolare nella stessa direzione verso la quale l'acciaio inossidabile è stato pitturato - "verso il senso della fibra"

L'utilizzo di prodotti abrasivi potrebbe produrre graffi sulla superficie.

Lo stoccaggio del barbecue nelle vicinanze di una costa, una piscina o Spa potrebbe causare la corrosione (ossidazione) dello stesso.

Coprire il barbecue per evitare che si arrugginisca.

DATI TECNICI
CHAR-BROIL, LLC

Denominazione dell'apparecchio	Barbecue a gas/Grill a gas			
Portata termica nominale totale	8.21kW (597 g/h)			7,03kW (512 g/h)
Categoria gas	I3+(28-30/37)	I3B/P(30)		I3B/P(50)
Modello n.	468402118			468401118
Tipo di gas	Butano	Propano	Butano, propano o loro miscela	Butano, propano o loro miscela
Pressione del gas	28-30 mbar	37 mbar	30 mbar	50 mbar
Dimensioni iniettore (dia. mm)	Barbecue: 1,03 x 2 pz		Barbecue: 1,03 x 2 pz	Barbecue: 0,80 x 2 pz
	Piastra calda: N/A		Piastra calda: N/A	Piastra calda: N/A
Paesi di destinazione	GB, FR, BE, ES, IT, PT, CZ, SK		DK, NO, NL, SE, FI, IS, CZ, IT, SK	AT, DE, CH, LU

Batteria da 1,5 VDC

INSTALLATEUR/MONTEUR:

Laat deze handleiding bij de consument achter.

CONSUMENT:

Bewaar deze handleiding voor toekomstig gebruik.

Vragen:

Indien u vragen heeft gedurende de montage of het gebruik van dit apparaat, neem dan contact op met uw plaatselijke dealer.



Indien u gas ruikt:

1. Draai de gaskraan dicht.
2. Doof open vuur.
3. Open de deksel.
4. Als de stank aanhoudt, blijf op afstand van het apparaat en bel onmiddellijk uw gasleverancier of de plaatselijke brandweer.



1. Sla geen benzine of licht ontvlambare vloeistoffen in de buurt van dit of enig ander apparaat op.
2. Een niet aangesloten gasfles mag nooit in de buurt van dit of enig ander apparaat opgeslagen worden.



- Lees zorgvuldig en volg alle veiligheidsinstructies, montage handleiding en gebruiks- en onderhoudsinstructies op voordat u begint met monteren en koken.
- Sommige onderdelen kunnen scherpe randen hebben. Het gebruik van beschermende handschoenen wordt aanbevolen.

Vetbrand

- Een vetbrand uitmaken door de deksel te sluiten is niet mogelijk. Om redenen van veiligheid zijn de grillen goed geventileerd. .
- Vermijd gebruik van water in geval van een vetbrand, aangezien dit kan leiden tot persoonlijk letsel.
- Indien het apparaat niet regelmatig wordt schoongemaakt, kan een vetbrand ontstaan dat het product kan beschadigen. Let erop in geval van voorverhitten of verbranden van voedselresten dat geen vetbrand kan ontstaan. Volg de Algemene Reinigingsinstructies en Instructies voor het Reinigen van de Branders op om zo vetbrand te voorkomen. De beste manier om vetbrand te voorkomen is het regelmatig reinigen van het apparaat.
- Laat de barbecue niet onbeheerd achter tijdens het voorverwarmen of afbranden voedselresten op HI. Als de barbecue niet regelmatig wordt schoongemaakt, kan een vetbrand ontstaan wat het product kan beschadigen.



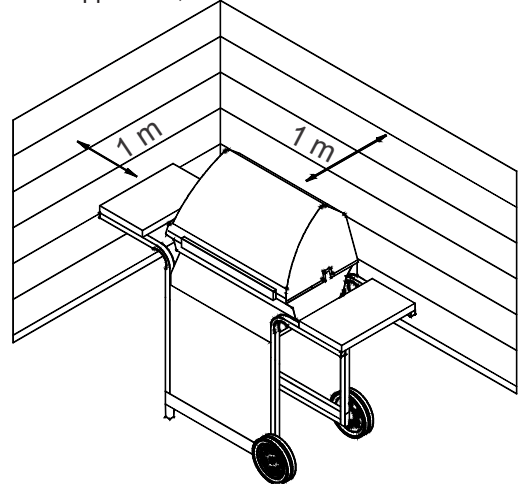
Voor Veilig Gebruik van Uw apparaat en om Ernstig Letsel te Voorkomen:

- **ALLEEN BUITEN TE GEBRUIKEN. GEBRUIK NOOIT BINNENSHUIS.**

Lees de instructies zorgvuldig voordat u het apparaat in gebruik neemt.

Volg altijd de onderstaande instructies op.

- Verplaats het apparaat nooit tijdens gebruik.
- Toegankelijke onderdelen kunnen erg warm worden.
- Houd jonge kinderen uit de buurt. Laat kinderen nooit het apparaat bedienen of in de omgeving van het apparaat spelen.
- Schakel de gastoevoer van de gasfles uit na gebruik.
- Houd dit apparaat ver van brandbare materialen tijdens gebruik.
- Blokkeer geen van de gaten aan de zijkanten of achterkant van het apparaat..
- Controleer de brander vlammen regelmatig.
- Blokkeer geen van de venturi buisjes van de brander.
- Gebruik het apparaat uitsluitend in een goed geventileerde ruimte. Gebruik **NOOIT** in een afgesloten ruimte zoals een carport, garage, veranda, overdekte patio, of onder een onder wat voor een overdekking dan ook.
- Gebruik nooit houtskool of keramische briketten in een gastoestel.
- Roosters **NOOIT** met aluminiumfolie of een ander materiaal afdekken. Dit blokkeert ventilatie van de brander en kan tot een mogelijk gevaarlijke situatie leiden met materiële schade en/of persoonlijk letsel als gevolg.
- **Gebruik het apparaat minstens 1 m van elke wand of oppervlak.** Zorg voor een afstand van minstens 3 m van objecten die vlam kunnen vatten of ontstekingsbronnen zoals waakvlammen van waterboilers, ingeschakelde elektrische apparaten, enz.



- Probeer **NOOIT** om een brander aan te steken met een gesloten dekstel. Een cumulatie van niet-ontbrand gas in een afgesloten apparaat is gevaarlijk.
- Schakel altijd gas van de gasfles uit en koppel de regelaar los voordat u de gasfles van diens specifieke positie verwijderd.
- Gebruik het apparaat nooit met een gasfles in een incorrecte positie.
- Maak geen aanpassingen aan het apparaat. Elke aanpassing of verandering is streng verboden. Afgedichte onderdelen mogen door de gebruiker niet aangepast worden. De injectoren niet demonteren.

Veiligheidstips

- Voordat u de gasfles opent, controleer of de regelaar goed vast zit.
- Wanneer het apparaat niet in gebruik is, schakel dan alle regelknoppen en gas uit.
- Gebruik barbecue gereedschap met lange stelen en ovenwanten om brandwonden en spatten te voorkomen. Gebruik beschermende handschoenen bij het hanteren van hete onderdelen.
- De maximale belasting voor een kookplaat en zijblad is 4,5kg. De kookpan heeft een minimum diameter van 200mm en een maximum diameter van 260 mm. **NB:** Uw barbecue kan mogelijk NIET zijn uitgerust met een KOOKPLAAT.
- De vetvangbak (indien aanwezig) moet in het apparaat aangebracht worden en na gebruik geleegd worden. Verwijder de vetvangbak alleen dan wanneer het apparaat volledig afgekoeld is.
- Wees voorzichtig wanneer u de deksel opent, aangezien hete stoom kan ontsnappen.
- Wees heel voorzichtig als er kinderen, bejaarden of huisdieren in de buurt zijn.
- Indien u ziet dat vet of een andere hete substantie uit het apparaat druip op ventiel, slang of regelaar, schakel dan onmiddellijk het gas uit. Vind de oorzaak, corrigeer het, en inspecteer en reinig ventiel, slang en regelaar voordat u doorgaat. Voer een lekkagetest uit. .
- Sla geen voorwerpen of materialen op in de apparatenwagen behuizing wat de verbrandingsluchtoevoer naar de onderkant van zowel het controlepaneel of van de vuurhaard kan blokkeren.
- Ontkoppel of vervang de gasfles NOOIT binnen 3 meter van een open vuur of een andere ontstekingsbron.

Plaatsen Gasfles

Cilinder kan niet onder of in het apparaat worden geplaatst. Cilinders moeten worden geplaatst aan de zijkant en achterkant van het apparaat. Cilinders een maximale diameter van 345 mm en de maximale hoogte van 600 mm zijn. Cilinders die op de grond vormt onder de verwarmingsplaat geplaatst.

Vereisten Regelaar

Een regelaar moet met dit apparaat gebruikt worden. Gebruik uitsluitend de gasregelaar die met uw barbecue geleverd wordt. Als deze regelaar niet geleverd is, dan mag alleen een regelaar gebruikt worden die is gecertificeerd volgens EN126129 (Stroomsnelheid maximaal 1,5kg per uur) en is goedgekeurd voor uw land en gas zoals gespecificeerd in Technische Gegevens.

Slang Vereisten

Gebruik uitsluitend een goedgekeurde slang die voldoet aan de betreffende EN-standaard en die niet langer is dan 1,5m. Voor Finland, de lengte van de slang mag niet langer zijn dan 1,2m. Voor elk gebruik, dient u te controleren dat de slangen niet gebroken of versleten zijn. Zorg ervoor dat de slang niet geknikt is. Zorg ervoor dat de aangesloten slang niet in aanraking komt met warme oppervlakken. Vervang beschadigde slangen voordat u het apparaat gebruikt. Vervang de slang overeenkomstig nationale voorschriften.

Aansteker aansteken

Leun niet over het apparaat bij aansteken.

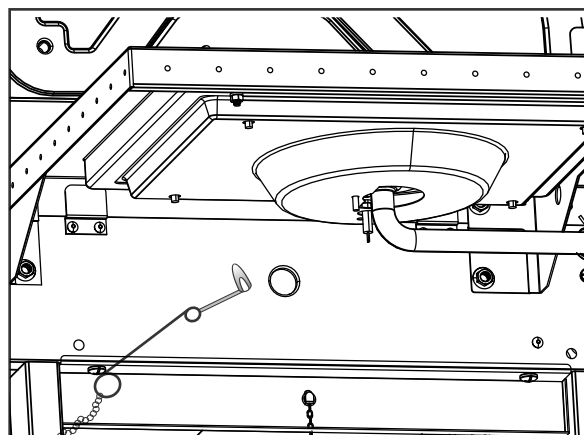
1. Draai de gasbrander regelkleppen aan tot ○ (uit).
2. Open de deksel gedurende het aansteken en opnieuw aansteken.
3. Draai gas AAN op de gasfles.
4. Om aan te steken, draai de ontstekingsbranderknop naar 🔥 HOOG en houdt deze ingedrukt totdat de brander is aangestoken.
5. Als het aansteken NIET binnen 5 seconden gebeurt, draai aan de branderknoppen , wacht 5 minuten en herhaal de aansteekprocedure.
6. Achtergebleven branders ontsteken druk en draaiknop naar de hoge stand te beginnen met de branders dichtst bij de ontstekingsbrander eerste.



Aansteken met Lucifers

• Leun niet over het apparaat bij aansteken.

1. Draai het gasbrander controleklep naar ○ (uit).
2. Open deksel gedurende aansteken en opnieuw aansteken.
3. Draai gas op de gasfles AAN.
4. Plaats lucifer in luciferhouder (bevindt zich aan de zijkant van de barbecue). Steek lucifer aan en steek de branderopening aan door de lucifer aansteekopening aan de zijkant van de barbecue. Duw de branderknop onmiddellijk in en draai deze naar 🔥 HOOG. Zorg ervoor dat de branders aan blijven.
5. Steek de aangrenzende branders in volgorde aan door op de knoppen te duwen en te draaien naar 🔥 HOOG.



Lektest Kleppen, Slang en Regelaar

Leak test before first use, at least once a year, and every time the cylinder is changed or disconnected.

1. Draai alle bedieningsknoppen van het apparaat naar O.
2. Zorg ervoor dat de regelaar nauw verbonden is met de gasfles.
3. Draai gas aan. Indien u een ruisend geluid hoort, gas onmiddellijk uitdraaien. Er is dan een substantieel lek bij de verbinding. Corrigeer dit voordat u doorgaat.
4. Bestrijk met een zeepoplossing (mengsel van half zeep en half water) de slangverbindingen en de plaatsen op de slangverbindingen.
5. Als luchtballen verschijnen, is er een lek. Draai het gas van de gasfles onmiddellijk uit en controleer de afsluitingen van de verbindingen. Indien het lek niet verholpen kan worden, probeer het in geen geval zelf te repareren. Bel voor vervangende onderdelen.
6. Draai altijd het gas van de gasfles uit nadat een lekttest is uitgevoerd.



WAARSCHUWING



SPIDER ALERT!

SPINNEN EN SPINNENWEBBEN IN DE BRANDER



Wanneer uw barbecue moeizaam aangaat of de vlam zwak is, controleer en reinig de venturi buisjes en branders.

Spinnen en kleine insecten staan erom bekend dat zij "flashback" problemen veroorzaken doordat zij nesten bouwen en eieren leggen in de venturi buisjes en branders van de barbecue, waardoor de toevoer van gas wordt belemmerd. Het gecumuleerd gas kan achter het controlepaneel ontvlammen. Deze flashback kan uw barbecue beschadigen en letsel veroorzaken. Om flashbacks te voorkomen en voor een goede prestatie zorg te dragen, dienen brander en de venturi buisjes verwijderd en schoongemaakt te worden wanneer de barbecue geruime tijd ongebruikt is.

ALS APPARAAT NIET AANGESTOKEN KAN WORDEN

- Controleer of gas in de gasfles aangesloten is.
- Zorg ervoor dat gas in de gasfles is.
- Maakt de ontsteker een vonkend Geluid?
 - Indien ja, controleer de brander voor vonken.
 - Indien er geen vonk is, zoek voor beschadigde of losse draden.
- Indien de draden in orde zijn, controleer gescheurde of gebroken elektrode, en vervang indien nodig.
- Wanneer draden of elektrodes met kookresten bedekt zijn, reinig dan indien nodig de elektrode met een alcoholdoekje.
- Indien nodig, vervang draden
- Indien geen geluid, controleer dan de batterij.
- Zorg ervoor dat de batterij correct geïnstalleerd is.
- Controleer of er losse verbindingen bij de module of schakelaar zijn.
- Indien de aansteker weigert te werken, gebruik dan een lucifer.

Reinigen van de Brander

Volg deze instructies op voor het reinigen en/of vervangen van onderdelen van de brander of indien u problemen heeft met het aansteken van het apparaat.

1. Draai gas uit van de bedieningsknoppen en de gasfles
2. Verwijder kookroosters en vlamdempers.
3. Verwijder elektrode van brander.
4. Verwijder slangen en branders.

NB: Verwijdering / Ontkoppeling methode zal afhangen van de brander configuratie. Zie verschillende configuraties in de onderstaande afbeeldingen.

5. Til elke brander voorzichtig op en weg van de klepopeningen.

A. Buig een stevige metalen draad (een lichtgewicht klerhanger werkt goed) in de vorm van een kleine haak. Voer de haak verschillende keren door elke brander.



B. Gebruik een smalle flessenborstel met een flexibel handvat (gebruik geen staaldraadborstel), voer de borstel verschillende malen door elke brander.

C. Draag een veiligheidsbril: Gebruik een luchtslang om lucht in branderbuis en uit branderopeningen te persen. Controleer iedere opening om er zeker van te zijn dat lucht uit elk gat komt.

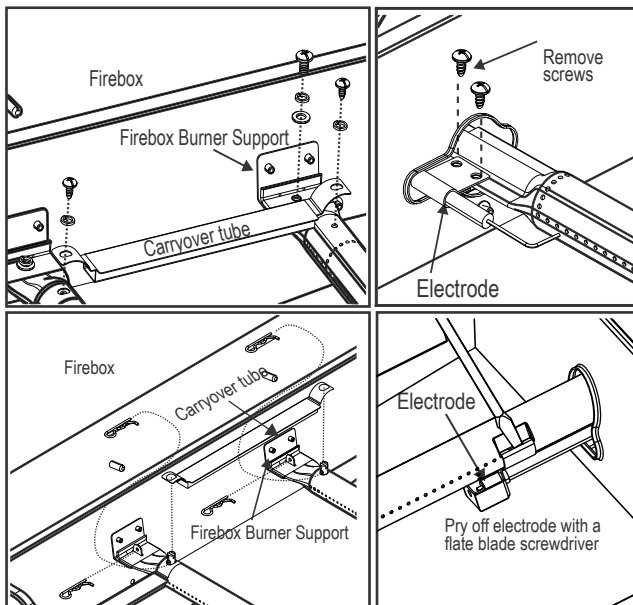
6. Borstel de gehele buitenkant van brander om voedselresten en vuil te verwijderen.
7. Reinig geblokkeerde openingen met een stevige metalen draad zoals een uitgebogen paperclip.
8. Controleer brander op schade; ten gevolge van dagelijks gebruik en corrosie kunnen sommige gaten vergroot zijn. Indien grote scheuren of gaten worden gevonden, vervang brander.

HEEL BELANGRIJK: Branderslangen moeten klepopeningen opnieuw inschakelen. Zie illustratie aan de rechterkant.

Juiste verbinding van brander naar klep



9. Bevestig elektrode aan brander
10. Vervang branders voorzichtig.
11. Bevestig branders aan beugels op vuurhaard.
12. Plaats slangen en verbind met branders. Vervang vlamdempers en kookroosters.
13. Voor het opnieuw gebruiken vna de barbecue, voer een "Lektest" en een "Brander Vlam Controle Test" uit.



Opslaan van uw Apparaat

- Reinigen kookroosters.
- Opslaan op een droge plek.
- Wanneer een gasfles is aangesloten op het apparaat, dan buiten opslaan in een goed geventileerde ruimte en buiten het bereik van kinderen houden. Dek het apparaat af indien buiten opgeslagen.
- Sla het apparaat ALLEEN DAN binnenshuis op indien de gasfles is afgesloten en losgekoppeld, alsmede verwijderd van het apparaat en buiten opgeslagen.
- Wanneer het apparaat uit de opslag wordt gehaald, dient het op brander obstructies gecontroleerd te worden

Algemene Reiniging Apparaat

- Reinig het apparaat vaak, vooral na koken. Als een borstel wordt gebruikt voor het reinigen, zorg er dan voor dat geen borstelharen achterblijven op het kookoppervlak voordat met grillen wordt begonnen. Het is niet raadzaam het kookoppervlak te reinigen terwijl het apparaat warm is. Het apparaat dient minstens een keer per jaar gereinigd te worden.
- Zie in geen geval bruine of zwarte ophoping van vet voor verf aan. De binnenkant van een gas grill wordt nooit geschilderd tijdens fabricage. (en mag ook nooit geschilderd worden). Gebruik een sterke oplossing van reinigingsmiddel en water of gebruik een apparaat reiniger met schrobborstel voor het reinigen van de binnenkant van deksel en onderkant van het apparaat. Afspoelen en in de open lucht volledig laten drogen. Gebruik geen agressieve reiniger of ovenreiniger op geschilderde oppervlakken
- Kunststofonderdelen: Was met warm zeepwater en droog af.
- Gebruik geen citrisol, schuurmiddelen, ontvetters of een geconcentreerde reiniger voor kunststof onderdelen. Dit kan resulteren in schade aan en uitval van onderdelen.
- Porceleinen oppervlakken: Door de glasachtige samenstelling kan de meeste aanslag eenvoudig verwijderd worden met zuiveringszout / wateroplossing of een speciaal schoonmaakmiddel. Gebruiken niet-schurend schuurmiddel voor hardnekkige vlekken.
- Geschilderde oppervlakken: Reinig met een mild schoonmaakmiddel of een niet-schurend reinigingsmiddel en warm zeepwater. Droog met een zacht, niet-schurend doekje.
- Roestvrijstalen oppervlakken: Om het hoogwaardig uiterlijk van uw apparaat te behouden, reinig met een mild schoonmaakmiddel en warm zeepwater en droog een zacht doekje na elk gebruik. Voor het verwijderen van ingebakken vet kan gebruik van een schuursponsje nodig zijn. Gebruik alleen in de richting van geborstelde afwerking om schade te voorkomen. Gebruik geen schuursponsjes op plaatsen met een afbeelding.
- Kookoppervlakken: Als een borstel wordt gebruikt voor het reinigen van een kookoppervlak, zorg er dan voor dat er geen losse borstelharen op het kookoppervlak achterblijven voordat met grillen wordt begonnen. Het is niet raadzaam het kookoppervlak te reinigen terwijl het apparaat warm is.

Roestvrij Staal

Er zijn veel verschillende soorten materialen (legeringen) die als roestvrij staal beschouwd worden.

Een gemeenschappelijk kenmerk van deze verschillende soorten is dat zij kunnen roesten (corroderen of oxideren), afhankelijk van de omstandigheden.

Dit geldt ook voor uw nieuwe barbecue.

Om te zorgen dat uw barbecue zijn uiterlijk en functionaliteit voor vele jaren behoudt, dient u de onderstaande adviezen te volgen.

1) Als de barbecue nat of vochtig is geworden, maak het droog met een doek om het oppervlakte roest te voorkomen.

2) Roestvrij staal kan onder bepaalde omstandigheden gaan roesten. Roest kan worden veroorzaakt door omgevingsfactoren, zoals chloor of zout water, of gebruik van ongeschikte schoonmaakmiddelen zoals staalborstel of staalwol. Het kan ook verkleuren als gevolg van hitte, chemicaliën, of vetopbouw.

3) Om het hoogwaardig uiterlijk van uw apparaat te behouden, reinig na elk gebruik met een mild schoonmaakmiddel en warm zeepwater. Droog met een zacht doekje. Voor het verwijderen van ingebakken vet kan gebruik van een schuursponsje nodig zijn. Gebruik alleen in de richting van geborstelde afwerking om schade te voorkomen. Gebruik geen schuursponsjes op plaatsen met een afbeelding.

4) Vet de interne onderdelen van de barbecue en de roosters in met bakolie.

NB:

Om krassen op het oppervlak en een basis voor roesten te voorkomen, gebruik nooit staalwol of iets dergelijks bij het reinigen van roestvrij staal.

Bij het schoonmaken, werk in dezelfde richting als het roestvrij staal is geborsteld - "in de vezelrichting".

Reinigen met schuurmiddelen kan krassen veroorzaken.

Het opslaan van de barbecue in de buurt van een kust, zwembad of spa zal roesten (corroderen of oxideren) van de barbecue veroorzaken.

Dek uw barbecue af om roesten te voorkomen.

TECHNISCHE GEGEVENS CHAR-BROIL, LLC				
Apparaatnaam	Gasbarbecue/Gas Grill			
Totale nominale warmtebelasting	8.21kW (597 g/h)			7,03kW (512 g/h)
Gas Categorie	I3+(28-30/37)	I3B/P(30)	I3B/P(50)	
Model No.	468402118			468401118
Gas Type	Butaan	Propaan	Butaan, Propaan of een menging van de twee	Butaan, Propaan of een menging van de twee
Gasdruk	28-30 mbar	37 mbar	30 mbar	50 mbar
Injector Grootte (Diameter in mm)	Barbecue: 1,03 x 2 onderdelen		Barbecue: 1,03 x 2 onderdelen	Barbecue: 0,80 x 2 onderdelen
	Kookplaat: Niet Beschikbaar		Kookplaat: Niet Beschikbaar	Kookplaat: Niet Beschikbaar
Bestemmingslanden	GB, FR, BE, ES, IT, PT, CZ, SK		DK, NO, NL, SE, FI, IS, CZ, IT, SK	AT, DE, CH, LU

1,5 VDC batterij

INSTALLATÖR/MONTÖR:

Lämna denna bruksanvisning till konsumenten.

KONSUMENT:

Spara denna bruksanvisning för framtida referens.

Frågor:

Kontakta din lokala återförsäljare om du har några frågor om montering eller användning av anordningen.



FARA



Om du känner lukten av gas:

1. Stäng av gasen till anordningen.
2. Släck eventuella öppna lågor.
3. Öppna locket.
4. Om lukten kvarstår bör du omedelbart ringa din gasleverantör eller brandkåren och hålla dig på avstånd från anordningen.



VARNING



1. Förvara inte och använd inte bensin eller andra brandfarliga vätskor i närheten av denna eller någon liknande anordning.
2. En gasolflaska som inte är ansluten för användning får inte förvaras i närheten av denna eller någon liknande anordning.



IAKTTA FÖRSIKTIGHET



- Läs och följ alla säkerhetsanvisningar, monteringsinstruktioner och bruks- och underhållsanvisningar innan du monterar grillen och börjar grilla.
- Vissa delar kan ha vassa kanter. Du rekommenderas att använda skyddshandskar.

Fettbränder

- Det går inte att släcka fettbränder genom att stänga locket. Grillar är välventilerade av säkerhetsskäl.
- Använd inte vatten på en fettbrand, då det kan leda till personskador. Om en ihållande fettbrand utvecklas ska du vrida av vreden och gasolflaskan.
- Om anordningen inte har rengjorts regelbundet kan fettbränder uppstå, vilket kan skada produkten. Var uppmärksam vid förvärmning eller vid bortbränning av matrester för att säkerställa att en fettbrand inte utvecklas. Följ anvisningarna angående allmän rengöring av anordningen och rengöring av brännaren för att förhindra fettbränder. Fettbränder förebyggs bäst genom regelbunden rengöring av anordningen.
- Lämna inte grillen obevakad under förvärmning eller bortbränning av matrester på HI. Om anordningen inte har rengjorts regelbundet kan fettbränder uppstå, vilket kan skada produkten.



VARNING

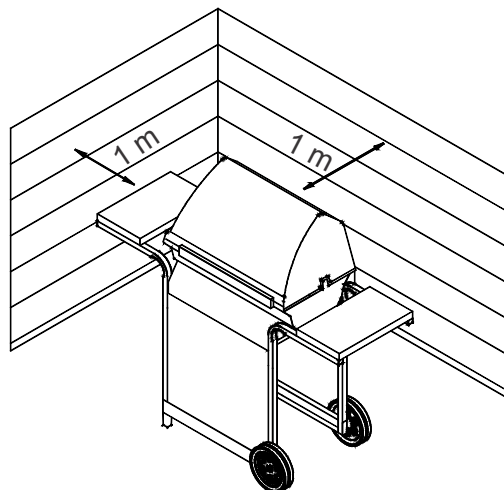


För säker användning av anordningen och för att undvika allvarliga skador:

• **ANVÄND ENDAST UTOMHUS. ANVÄND ALDRIG INOMHUS.**
Läs anvisningarna innan du använder grillen.

Följ alltid dessa anvisningar.

- Flytta inte grillen när den används.
- Åtkomliga delar kan bli mycket varma. Håll små barn borta från grillen. Låt inte barn använda grillen eller leka i närheten av den.
- Stäng av gastillförseln från gasolflaskan efter användning.
- Denna anordning måste hållas borta från brandfarliga material under användning.
- Blockera inte hål på grillens sidor eller baksida.
- Håll brännarlågorna under uppsikt.
- Blockera inte brännarens venturirör.
- Använd endast på välventilerade platser. Använd **ALDRIG** i slutna utrymmen såsom carport, garage, veranda, inglasad altan eller under någon takförsedd struktur av något slag.
- Använd inte träkol eller keramiska briketter i en gasolgrill.
- **INTE** över gallret med aluminiumfolie eller något annat material. Det blockerar brännarens ventilation och skapar ett potentiellt farligt tillstånd, som kan leda till skador på egendom och/eller personskador.
- Använd grillen på ett avstånd på minst 1 m från vägg eller annan yta.
- Håll ett säkerhetsavstånd på 3 m från föremål som kan fatta eld eller antändningskällor, såsom kontrollampor på varmvattenberedare, igångsatta elektriska apparater o.s.v.



- Försök **ALDRIG** att tända brännaren med locket stängt. En ansamling av ej antänd gas inuti en sluten anordning är farlig.
- Stäng alltid av gasen på gasolflaskan och koppla från regulatören innan du flyttar gasolflaskan från den angivna användningsplatsen.
- Använd aldrig anordningen om gasolflaskan inte är på rätt plats enligt vad som har specificerats.
- Modifiera inte anordningen. Alla typer av modifieringar är strängt förbjudna. Slutna delar får inte manipuleras av användaren. Montera inte isär injektorena.

Säkerhetstips

- Kontrollera regulatorns täthet innan du öppnar gasventilen.
- Stäng av alla kontrollvred och gasen när anordningen inte används.
- Använd grillredskap med långt skaft och grytvantar för att undvika brännskador och stänk. Använd skyddshandskar när du hanterar varma komponenter.
- Maximal belastning på värmeplattan, om sådan finns, och sidohyllan är 4,5 kg. Kokkäril med en minsta diameter på 200 mm och en maximal diameter på 260 mm. **OBS!** Det kan hända att din grill INTE är utrustad med en värmeplatta!
- Droppskålen (om sådan finns) måste föras in i anordningen och tömmas efter varje användning. Ta inte bort droppskålen förrän anordningen har svalnat helt och hållet.
- Var mycket försiktig när du öppnar locket, då het ånga kan uppstå.
- Var mycket försiktig när barn, äldre personer eller husdjur är i närheten.
- Om du upptäcker att fett eller något annat hett droppar från anordningen ner på ventilen, slangen eller regulatorn måste du omedelbart stänga av gastillförseln. Fastställ orsaken, åtgärda problemet och rengör och inspektera ventilen, slangen och regulatorn innan du fortsätter.
- Genomför ett läckagetest.
- Förvara inte föremål eller material inuti anordningens hölje, som skulle blockera förbränningsluftens flöde till undersidan av antingen kontrollpanelen eller brännarhuset.
- Koppla INTE från eller byt gasbehållare på ett avstånd kortare än 3 m från en öppen låga eller annan antändningskälla.

Gasflaskans placering

Cylindern kan inte placeras under eller i apparaten. Cylindrar ska placeras på sidan och baksidan av apparaten. Cylindrar är att vara en maximal diameter på 345mm och maximal höjd på 600 mm. Cylindrar placerade på marken får inte placeras under den varma plattan.

Krav för regulator

En regulator måste användas med denna anordning. Använd endast den gasregulator som medföljer grillen. Om det inte medföljer någon regulator ska du endast använda en regulator som certifierats enligt EN16129 (flödeshastighet på max. 1,5 kg/tim.) och som är godkänd för ditt land och för den gas som specificeras i avsnittet Tekniska data.

Krav för slang

Använd endast en godkänd slang som certifierats enligt lämplig EN-standard och som inte är längre än 1,5 m. För Finland ska slangen inte vara längre än 1,2 m. Kontrollera att slangen inte är skadad eller utsliten. Se till att slangen inte har snott sig. Se till att slangen inte vidrör några varma ytor när den är ansluten. Byt ut skadade slangar innan du använder anordningen. Byt ut slangen i enlighet med nationella krav.

Tända grillen

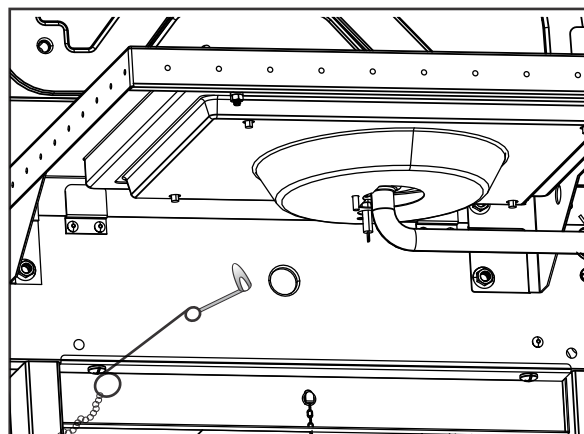
- **Luta dig inte över grillen när du tänder den.**
1. Vrid gasbrännarens kontrollvred till ○ (av).
 2. Öppna locket när du tänder grillen.
 3. Sätt PÅ gasen på LP-flaskan.
 4. Tänd genom att trycka in och vrida tändbrännare vred 🔥 till HIGH. Tryck omedelbart in och håll inne knappen ELECTRONIC IGNITOR tills brännaren tänds.
 5. Om grillen INTE tänds inom fem sekunder vrider du av brännarens kontrollvred ○, väntar fem minuter och upprepar sedan tändningsproceduren.
 6. Att tända återstående brännare, tryck och vrid vredet till det höga läget börjar med brännarna närmast tänd BRÄNNARE först.

	VARNING	
Stäng av kontrollvred och gasoflaskan när de inte används.		

	IAKTTA FÖRSIKTIGHET	
Om grillen INTE tänds inom fem sekunder vrider du av brännarens kontrollvred ○, väntar fem minuter och upprepar sedan tändningsproceduren. Om brännaren inte tänds med ventilen öppen kommer gas att fortsätta flöda ur brännaren och kan oavsiktligt antändas, vilket kan orsaka skador.		

Tända med tändstickor

- **Luta dig inte över grillen när du tänder den.**
1. Vrid gasbrännarens kontrollvred till ○ (av).
 2. Öppna locket när du tänder grillen.
 3. Sätt PÅ gasen på LP-flaskan.
 4. Placera tändstickan i tändstickshållaren (som hänger från sidopanelen på grillen). Tänd tändstickan. Tänd sedan brännaren genom att föra in tändstickan genom hålet på sidan av grillen. Tryck omedelbart in och vrid på brännarens kontrollvred till positionen 🔥 HIGH. Se till att brännaren tänds och fortsätter att vara tänd.
 5. Tänd angränsande brännare i turordning genom att trycka in och vrida på vreden till positionen 🔥 HIGH.



Läckagetest för ventiler, slang och regulator

Genomför ett läckagetest före första användning, minst en gång per år och varje gång gasolflaskan byts ut eller kopplas från.

1. Vrid alla kontrollvred till ○.
2. Se till att regulatorn är ordentligt ansluten till gasolflaskan.
3. Sätt på gasen. Stäng omedelbart av gasen om du hör ett susande ljud tryck. Det betyder att anslutningen läcker. Åtgärda detta innan du fortsätter.
4. Pensla med en tvållösning (en blandning av hälften tvål, hälften vatten) på slangens anslutningar.
5. Om det uppstår bubblor finns det en läcka. Stäng omedelbart av gasen på gasolflaskan och kontrollera att anslutningarna är täta. Om läckan inte kan åtgärdas ska du inte försöka att reparera skadan. Ring efter reservdelar.
6. Stäng alltid av gasen på gasolflaskan när du har utfört ett läckagetest.



IAKTTA FÖRSIKTIGHET



VARNING FÖR SPINDLAR!

**SPINDLAR OCH
SPINDELNÄT
I BRÄNNAREN**



Om grillen är svår att tända eller om lågan är svag kontrollerar du och rengör venturirören och brännarna.

Spindlar eller små insekter skapar ofta "bakeldsproblem" genom att bygga bon och lägga ägg i grillens venturirör eller brännare, vilket kan hindra gasflödet. Den ansamlade gasen kan antändas bakom kontrollpanelen. Denna bakeld kan skada grillen och orsaka skador. Förebygg bakeld och säkerställ god prestanda genom att ta bort och rengör brännaren och venturirören när apparaten har stått oanvänd under en längre tid.

OM ANORDNINGEN INTE TÄNDS

- Se till att gasen är påslagen på gasolflaskan.
- Se till att det finns tillräckligt med gas i gasolflaskan.
- Hör du ett gnistljud från tändaren?
 - Om du hör det kontrollerar du om det finns gnistor vid brännaren.
 - Om du inte ser några gnistor letar du efter skadade eller lösa ledningar.
- Om ledningarna är ok letar du efter spruckna eller trasiga elektroder och byter ut dessa om så krävs.
- Om ledningar eller elektroder är täckta av rester från matlagningen rengör du elektrodspetsen med alkohol om så krävs.
- Om så krävs byter du ut ledningarna.
- Om du inte hör något gnistljud kontrollerar du batteriet.
- Se till att batteriet har är ordentligt isatt.
- Leta efter lösa ledningar vid modulen och brytaren.
- Om tändaren fortfarande inte fungerar använder du en tändsticka istället.

Rengöra brännaren

Följ dess anvisningar för att rengöra och/eller byta ut delar av brännaren eller om du har problem med att tända grillen.

1. **Stäng av gasen med kontrollvreden och på LP-flaskan.**
2. Ta bort grillgaller och värmetält.
3. Ta bort överföringsrör och komponenter som håller fast brännare.
4. Koppla från elektrod från brännare.

OBS! Metod för avlägsnande/frånkoppling beror på brännarkonfiguration. Se olika konfigurationer i illustrationerna nedan.

5. Lyft försiktigt upp brännarna bort från ventilöppningarna. Vi föreslår tre olika sätt för att rengöra brännarrören. Använd det sätt som du tycker är enklast.

A. Böj en styv ståltråd (en lätt galge fungerar bra) till en liten krok. Kör kroken genom varje brännarrör flera gånger.



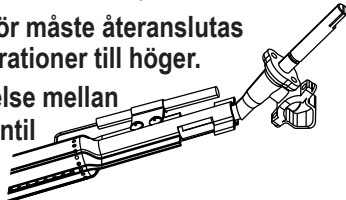
B. Använd en smal flaskborste med ett böjligt skaft (använd inte en borste i mässing). Kör borsten genom varje brännarrör flera gånger.

C. Använd skyddsglasögon: Använd en luftslang för att blåsa in luft i brännarröret och ut genom brännarportarna. Kontrollera varje port för att säkerställa att luften kommer ut genom alla hål.

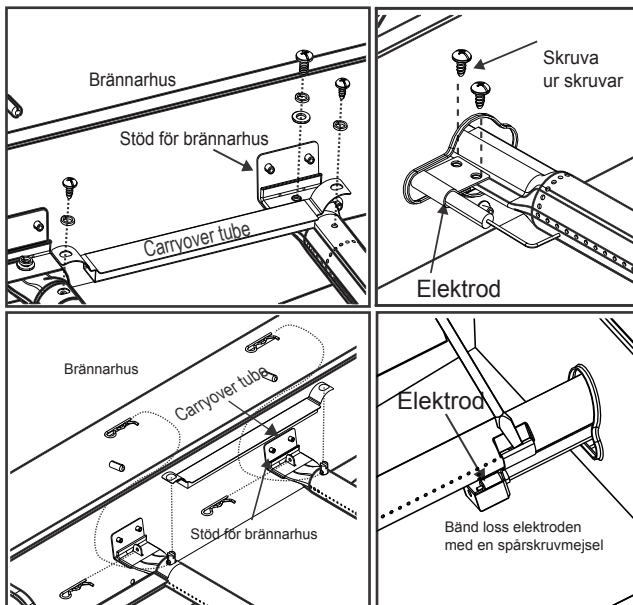
6. Borsta hela den yttre ytan på brännaren med en stålborste för att få bort matrester och smuts.
7. Rengör eventuella blockerade portar med en styv ståltråd, som till exempel ett öppnat gem.
8. Kontrollera att brännaren inte är skadad. På grund av normalt slitage och korrosion kan vissa hål förstöras. Om du upptäcker några stora sprickor eller hål byter du ut brännaren.

MYCKET VIKTIGT: Brännarrör måste återanslutas till ventilöppningar. Se illustrationer till höger.

Korrekt förbindelse mellan brännare och ventil



9. Fäst elektrod till brännare.
10. Byt försiktigt ut brännare.
11. Montera brännare till fästena i brännarhuset.
12. Sätt tillbaka överföringsrör och fäst till brännare. Sätt tillbaka värmetält och grillgaller.
13. Innan du använder grillen igen bör du genomföra ett "läckagetest" och en "kontroll av brännarlåga".



Förvara grillen

- Rengör grillgaller.
- Förvara på en torr plats.
- När gasflaskan är ansluten till grillen ska den förvaras utomhus på en välventilerad plats, utom räckhåll för barn.
- Täck över grillen om den förvaras utomhus.
- Förvara grillen inomhus ENDAST om gasflaskan är avstängd och fränkopplad, har avlägsnats från grillen och förvaras utomhus.
- När du tar fram grillen igen kontrollerar du att inga brännare är igentäpta.

Rengöra grillen

- Rengör grillen ofta, helst efter varje gång den har använts. Om en borste används för rengöring av grillens tillagningsytor bör du se till att inga lösa borststrån finns kvar på tillagningsytan innan du börjar grilla. Du rekommenderas inte att rengöra tillagningsytor när grillen är varm. Grillen bör rengöras minst en gång per år.
- Förväxla inte brun eller svart ansamling av fett och rök med färg. Insidan av gasogrillar målas inte i fabriken (och bör aldrig målas). Använd en stark lösning av rengöringsmedel och vatten, eller använd ett rengöringsredskap med skrubborste på insidan av grillens lock och botten.
- Skölj och låt lufttorka helt. Använd inte frätande rengöringsmedel eller ugnsgörare på målade ytor.
- Plastdelar: Tvätta med varmt tvålsvatten och torka av.
- Använd inte citrisol, rengöringsmedel med slipmedel, avfettningsmedel eller koncentrerad grillrengöring på plastdelarna. Detta kan orsaka skador och fel på delarna.
- Ytor av porslin: På grund av en glasliknande sammansättning kan de flesta resterna torkas av med en lösning av bakpulver/vatten eller ett speciellt framtaget rengöringsmedel. Använd skurpulver utan slipmedel för envisa fläckar.
- Målade ytor: Tvätta med ett mildt rengöringsmedel eller rengöringsmedel utan slipmedel och varmt tvålsvatten. Torka av med en mjuk trasa.
- Ytor av rostfritt stål: Bibehåll grillens högkvalitativa utseende genom att, efter varje användning, tvätta ytor av rostfritt stål med ett mildt rengöringsmedel och varmt tvålsvatten. Torka sedan av med en mjuk trasa. Fettavlagringar från tillagningen kan kräva att du använder en skursvamp. Använd endast i den borstade ytans riktning för att undvika skador. Använd inte en skursvamp på områden med bilder.
- Tillagningsytor: Om en borste används för rengöring av grillens tillagningsytor bör du se till att inga lösa borststrån finns kvar på tillagningsytan innan du börjar grilla. Du rekommenderas inte att rengöra tillagningsytor när grillen är varm.

Rostfritt stål

Det finns många typer (legeringar) av material som anses vara rostfritt stål.

En egenskap som de olika typerna har gemensamt är att de kan korrodera (oxidera), beroende på vilka förhållanden de utsätts för.

Detta gäller även din nya grill.

Följ rekommendationerna nedan för att säkerställa att din grill bibehåller utseendet och funktionaliteten i många år.

1) Om grillen har blivit blöt eller fuktig måste du torka av den med en trasa för att förhindra att ytorna korroderar.

2) Rostfritt stål kan rosta under vissa förhållanden. Detta kan orsakas av förhållanden där grillen utsätts för klorin eller saltvatten, eller vid användning av fel rengöringsverktyg som till exempel stålull. Grillen kan också missfärgas på grund av värme, kemikalier eller ansamling av fett.

3) Bibehåll grillens högkvalitativa utseende genom att, efter varje användning, tvätta ytor av rostfritt stål med ett mildt rengöringsmedel och varmt tvålatten. Torka sedan av med en mjuk trasa. Fettavläringar från tillagningen kan kräva att du använder en skursvamp. Använd endast i den borstade ytans riktning för att undvika skador. Använd inte en skursvamp på områden med bilder.

4) Smörj de inre delarna av grillen och gallren med matlagingsolja.

Observera:

Använd aldrig stålull eller liknande vid rengöring av rostfritt stål, då detta kan repa ytan och ge underlag för rost.

Vid rengöring ska du arbeta i samma riktning som det rostfria stålet har borstats i – ”med strömmen”.

Rengöring med slipmedel kan repa grillen.

Förvaring av grillen nära kusten, en swimmingpool eller ett spa kan leda till att den korroderar (oxideras).

Täck över grillen för att skydda den mot rost.

TEKNISKA DATA
CHAR-BROIL, LLC

Anordningens namn	Gasolgrill			
Total nominell värmeförsel	8,21kW (597 g/h)			7,03kW (512 g/h)
Gaskategori	I3+(28-30/37)	I3B/P(30)		I3B/P(50)
Modellnr	468402118			468401118
Gastyp	Butan	Propan	Butan, propan och blandningar av dessa	Butan, propan och blandningar av dessa
Gastryck	28–30 mbar	37 mbar	30 mbar	50 mbar
Injektorstorlek (dia. i mm)	Grill: 1,03 x 2 st		Grill: 1,03 x 2 st	Grill: 0,80 x 2 st
	Värmeplatta: N/A		Värmeplatta: N/A	Värmeplatta: N/A
Destinationer	GB, FR, BE, ES, IT, PT, CZ, SK		DK, NO, NL, SE, FI, IS, CZ, IT, SK	AT, DE, CH, LU

1,5 VDC-batteri

ASENTAJA/KOKOAJA:

Jätä tämä käsikirja kuluttajalle.

KULUTTAJA:

Säilytä käyttöohje myöhempää tarvetta varten.

Kysymykset:

Jos sinulla on kysymyksiä asennuksen aikana tai laitteen käyttöön liittyen, ota yhteyttä paikalliseen myyjään.



Jos tunnet kaasun hajua:

1. Sammuta laitteen kaasu.
2. Avotulet sammutettava.
3. Avaa kansi.
4. Jos haju jatkuu, pysy poissa laitteen läheisyydestä ja soita välittömästi kaasun toimittajillesi tai palokunnalle.



1. Älä säilytä tai käytä bensiiniä tai muita palavia nesteitä tämän tai muiden laitteiden läheisyydessä.
2. Kaasupulloa, jota ei ole yhdistetty käyttöön, ei saa säilyttää tämän, tai muiden laitteiden läheisyydessä.



- Lue ja noudata kaikkia turvallisuuslupia, asennusohjeita sekä käytä ja noudata ohjeita ennen kuin yrität koota ja kokata.
- Joissakin osissa saattaa olla teräviä reunoja. Pukeutuminen suojakäsineisiin suotavaa.

Rasvapalot

- Rasvapalon sammuttaminen sulkemalla kansi ei ole mahdollista. Grillit ovat hyvin tuuletettavia turvallisuussyistä.
- Älä käytä vettä on rasvapaloon, seurauksena saattaa olla Jos sitkeä rasvapalo kehittyä, käännä säätimiä ja kaasupullo pois päältä.
- Jos laitetta ei ole puhdistettu säännöllisesti, rasva voi alkaa palaa ja vahingoittaa tuotetta. Kiinnitä huomiota, kun esilämmityksen tai pohjaanpalaneen ruoan yhteydessä rasvapalo ei pääse kehittymään. Seuraa laitteen yleisiä siivoukseen sekä polttimen kokoonpanon puhdistukseen liittyviä ohjeita estääksesi mahdolliset rasvapalot. Paras tapa estää rasvapalot laitteen säännöllinen puhdistus.
- Älä jätä grilli valvomatta esilämmityksen aikana tai polttaessasi pois ruoan jäämiä HI:lla. Jos grilliä ei ole puhdistettu säännöllisesti, rasva voi alkaa palaa ja vahingoittaa tuotetta.

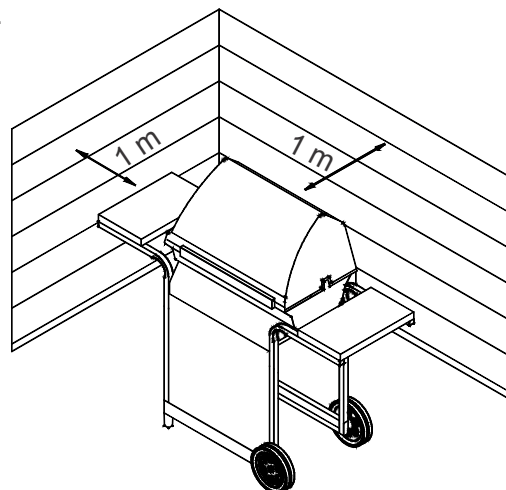


Laitteesi turvalliseen käyttöön sekä vakavien vahinkojen välttämiseksi:

- KÄYTÄ AINOASTAAN ULKONA. ÄLÄ KOSKAAN KÄYTÄ SISÄTILOISSA.

Lue ohjeet ennen laitteen käyttöönottoa. Noudata aina näitä ohjeita.

- Älä siirrä laitetta käytön aikana.
- Osat saattavat olla hyvin kuumia. Pidä pienet lapset poissa. Älä anna lasten käyttää tai leikkiä laitteella.
- Katkaise kaasun tulo kaasupullosta käytön jälkeen.
- Laitte on pidettävä erillään palavista materiaaleista käytön aikana.
- Älä tuki laitteen sivuilla tai takana olevia reikiä.
- Tarkista poltin liekit säännöllisesti.
- Älä peitä polttimen venturin aukkoja.
- Käytä laitetta ainoastaan hyvin ilmastoidussa tilassa. ÄLÄ KOSKAAN käytä suljetussa tilassa, kuten autokatos, autotalli, kuisti, katetulla terassilla tai minkä tahansa ylärakenteen alla.
- Älä käytä hiiltä tai keraamisia brikettejä kaasulaiteessa.
- ÄLÄ peitä ritilöitä alumiinifoliolla tai millään muullakaan materiaalilla. Tämä estää polttimen ilmanvaihdon ja aiheuttavat mahdollisen vaarallisen tilanteen joka voi johtaa omaisuusvahinkoon ja / tai henkilövahinkoon.
- Käytä laitetta vähintään 1 m mistä tahansa seinästä tai pinnasta.
- Säilytä 3m etäisyys esineistä, jotka voivat syttyä palamaan, tai sytytyslähteen kuten veden lämmittimien sytytysliekin, elävän sähkölaitteen, jne.



- ÄLÄ KOSKAAN yritä sytyttää poltinta kansi suljettuna. Eisytytetyn kaasun kertyminen suljetussa laitteessa on vaarallista.
- Katkaise aina kaasu kaasupullosta ja irrota säädin ennen kaasupullon siirtämistä määritellyyn toiminta-asentoon.
- Älä koskaan käytä laitetta kaasupullon ollessa pois oikeasta asennostaan.
- Älä tee muutoksia laitteeseen. Kaikki tämän laitteen muuntelut on ehdottomasti kielletty. Käyttäjän ei tule käsitellä sinetöityjä osia. Älä pura suuttimia.

Turvallisuusvinkkejä

- Ennen kaasupullon venttiilin avaamista, tarkista säätimen tiiviys.
- Kun laite ei ole käytössä, sammuta kaikki säätimet ja kaasu.
- Käytä pitkävärtisiä grilliastioita ja patakintaita palovammojen sekä roiskeiden välttämiseksi. Käytä suojakäsineitä käsitellessäsi kuumia osia.
- Suurin keittolevyn kuormitus, jos sellainen on, ja sivuhyllyn, on 4,5 Kg. Kypsennysastian minimihalkaisija 200mm ja suurin halkaisija 260mm.
- **HUOMAUTUS:** Grilliäsi EI VOI varustaa Keittolevyllä!
- Rasvakuppi (jos varusteena) on asetettava laitteeseen ja tyhjennettävä jokaisen käyttökerran jälkeen. Älä poista rasvakuppia ennenkuin laite on täysin jäähtynyt.
- Ole varovainen, kun avaat kannen, koska avatessa saattaa tulla kuumaa höyryä.
- Ole hyvin varovainen lasten, vanhusten, tai eläinten ollessa läheisyydessä.
- Jos huomaat rasvan tai muiden kuumien materiaalien tippuvan laitteesta venttiiliin, letkun tai säätimen päälle, katkaise kaasu heti. Määritä syy, korjaa se, sitten puhdista ja tarkasta venttiili, letku, ja säädin ennen jatkamista.
- Suorita vuototesti.
- Älä säilytä esineitä tai materiaaleja laitteen sisällä kärryssä, jotka estäisivät palamisilman virtauksen alapintaan joko ohjauspaneeliin tai tulipesän kulhoon.
- Älä irrota tai vaihda kaasusäiliötä vähintään 3 m avotulesta tai muusta sytytyslähteestä.

Kaasupullon Sijoittaminen

Sylinteri ei voi sijoittaa alle tai laitteeseen. Sylinterit on sijoitettava sivulle ja laitteen takana. Kaasupullot on oltava halkaisijaltaan enintään 345mm ja suurin korkeus 600 mm. Sylinterit asetettu maahan ei saa sijoittaa alle kuumalle levyille.

Säädintä koskevat vaatimukset

Säädintä on käytettävä laitteen kanssa. Käytä ainoastaan kaasusäädintä, joka on toimitettu laitteen mukana. Jos säädintä ei ole toimitettu, käytä vain sertifioitua säädintä EN 16129 (virtausnopeus maks. 1,5 kg / h) ja joka on hyväksytty maassasi ja täyttää kaasun määrätykset Teknisissä Tiedoissa.

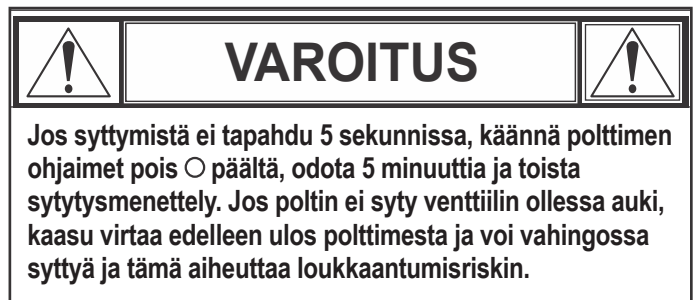
Letkua koskevat Vaatimukset

Käytä vain hyväksyttyä letkua ja joka on sertifioitu EN standardin mukaisesti ja on enintään 1,5 m pitkä. Suomen osalta letkun pituus saa olla enintään 1,2 m.

Ennen jokaista käyttöä, tarkista onko letku katkennut tai kulunut. Varmista että letku ei ole mutkalla. Varmista, että yhdistettyinä letku ei osu kuumiin pintoihin. Vaihda vaurioituneet letkut ennen laitteen käyttöä. Vaihda letku kansallisten vaatimusten mukaan.

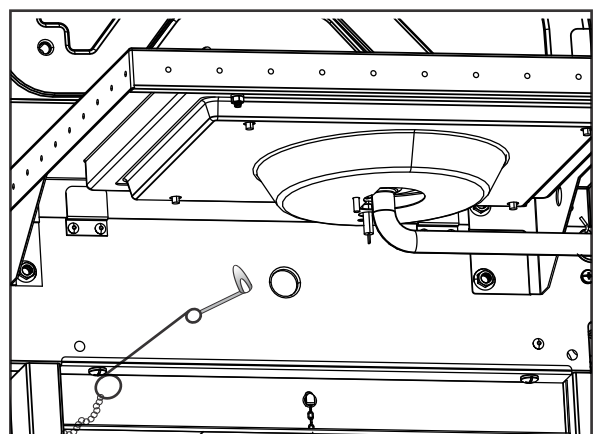
Sytyttimen sytytys

- **Älä kumarru grillin yli sytytyksen aikana.**
- 1. Käännä kaasupolttimen säätöventtiilit ○ (pois).
- 2. Avaa kansi sytytyksen aikana tai uudelleen sytyttäessä.
- 3. Kytke kaasu päälle kaasupullosta.
- 4. Syttyäkseen, työnnä ja käännä sytytyspolttimen nuppi säädintä kohti HIGH. Välittömästi, työnnä ja pidä alhaalla ELECTRONIC IGNITOR -painiketta, kunnes poltin syttyy.
- 5. Jos syttymistä ei tapahdu 5 sekunnissa, käännä polttimen ohjaimet pois ○ päältä, odota 5 minuuttia ja toista sytytysmenettely.
- 6. Sytyttää jäljellä polttimet, työnnä ja käännä yläasentoon alkaen polttimet lähinnä sytytyspolttimelle ensin.



Sytytys tulitikulla

- **Älä kumarru grillin yli sytytyksen aikana.**
- 1. Käännä kaasupolttimen säätöventtiilit ○ (pois).
- 2. Avaa kansi sytytyksen aikana tai uudelleen sytyttäessä.
- 3. Kytke kaasu päälle kaasupullosta.
- 4. Aseta tulitikku tulitikkupidikkeeseen (roikkuu grillin sivupaneelissa). Sytytä tulitikku; Sytytä sitten poltin asettamalla tulitikku läpi grillin sivussa olevasta tulitikkureiästä. ja käännä polttimen nuppia välittömästi HIGH -asentoon. Varmista, että poltin syttyy ja palaa tasaisesti.
- 5. Sytytä vierekkäiset polttimet järjestyksessä painamalla nuppeja ja kääntämällä HIGH -asentoon.



Venttiilien, Letkun ja Säätimen Vuototestaus

Vuototesti ennen ensimmäistä käyttöä, vähintään kerran vuodessa, ja joka kerta kaasupullo vaihdettaessa tai irrotettaessa.

1. Käännä laitteen kaikki ohjausnupit ○.
2. Varmista, että säädin on tiiviisti kytketty kaasupulloon.
3. Kytke Kaasu. Jos kuulet kohisevaa ääntä, käännä kaasu pois päältä välittömästi. Liitoksessa on suuri vuoto. Korjaa ennen jatkamista.
4. Harjaa saippualliuoksella (sekoitus puolet saippuaa ja puolet vettä) letkuliitännät.
5. Jos kuplia alkaa kehittyä, on siinä vuoto. Katkaise kaasupullostasi välittömästi ja tarkista liitosten pitävyys. Jos vuotoa ei voida pysäyttää älä yritä korjata. Edellyttää varaosia.
6. Katkaise aina kaasu kaasupullostasi vuototestin suorittamisen jälkeen.



VAROITUS



HÄMÄHÄKKIHÄLYTYS!

HÄMÄHÄKKI JA VERKOT POLTTIMEN SISÄLLÄ



Jos grillisi sytyttäminen vaikeutuu tai liekki on heikko, tarkista ja puhdista venturit ja polttimet.

Hämähäkkien tai pienten hyönteisten tiedetään aiheuttavan "flashback" -ongelmia rakentamalla pesiä ja laskemalla munia grillin ventureihin tai polttimiin estäen kaasun virtausta. Tiivistynyt kaasu voi syttyä ohjauspaneelin takana. Tämä "flashback" voi vahingoittaa grilliä ja aiheuttaa vammoja. Estämään "flashback" ja varmistamaan hyvä suorituskyky, poltin ja venturiletkun asennus tulisi poistaa ja puhdistaa aina, kun grilli on ollut käyttämättömänä pitkään.

JOS LAITE EI SYTY

- Varmista että kaasu on kytkettynä päälle kaasupullostasi.
- Varmista että kaasupullossa on kaasua.
- Tekeekö sytytin kipinöintiä?
 - Jos tekee, tarkista polttimen kipinöinti.
 - Ellei kipinöi, tarkista onko vahingoittuneita tai irtonaisia johtoja.
- Jos johdot ovat kunnossa, tarkista onko vaurioituneita elektrodeja, vaihda tarvittaessa.
- Jos johdossa tai elektrodeissa on ruoanlaitosta jäämiä, pyyhi elektrodin kärki alkoholilla tarvittaessa.
- Tarvittaessa vaihda johdot.
- Jos ääntä ei kuulu tarkistaa akku.
- Varmista, että akku on asennettu oikein.
- Tarkista, ovatko moduulin ja kytkimen johtojen liitännät löysiä.
- Jos sytytin ei edelleenkään toimi, käytä tulitikkuja.

Polttimen asennuksen puhdistus

Noudata näitä ohjeita puhdistessa ja/tai vaihtaessa osia polttimen asennuksessa tai jos sinulla on ongelmia grilliä sytyttäessä.

1. Katkaise kaasu pois säädinnupeista ja kaasupullost.
2. Poista grilliritilä ja lämmönjakopelti.
3. Poista siirtohormet ja polttimien turvaamisen työkalut.
4. Irrota elektrodi polttimesta.

HUOMAUTUS: Poisto- / Irrotusmenetelmä riippuu polttimen kokoonpanosta. Katso eri kokoonpanot alla olevista kuvista.

5. Nosta kukin poltin varovasti ylös ja pois päin venttiilin aukoista. Ehdotamme kolme tapaa puhdistaa polttimen putket. Käytä yhtä helpointa sinulle.
 - A. Taivuta jäykkä johto (kevyt vaateripustin toimii hyvin) pieneen koukkuun. Aja koukku jokaisen poltinputken läpi useita kertoja.

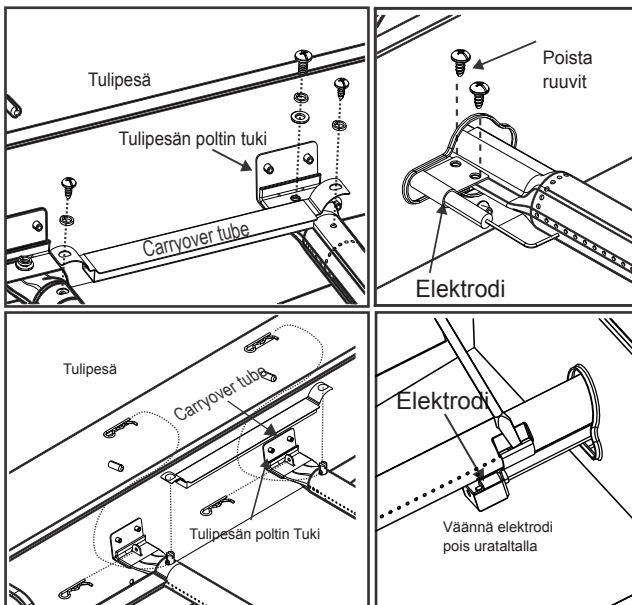
B. Käytä kapeaa pulloharjaa jossa joustava kahva (älä käytä messinkistä teräsharjaa). Aja harja jokaisen poltinputken läpi useita kertoja.

- C. Käytä suojalaseja:** Käytä ilmaletkua pakottamaan ilma polttimen putkeen ja ulos polttimen porteista. Tarkista kukin portti ja varmista ilman ulostulo kustakin reiästä.
6. Teräsharjalla koko ulkopinta poltin poistaa ruuanjäänteet ja lian.
7. Puhdista tukossa olevat portit jäykällä johdolla kuten aukaistulla paperiliittimellä.
8. Tarkista, onko polttimeen syntynyt normaalin kulumisen ja korroosion aiheuttamia vahinkoja, jotkut reiät voivat olla laajentuneita. Jos suuria halkeamia tai reikiä löytyy, vaihda poltin.

HYVIN TÄRKEÄÄ: Poltinputket täytyy jälleen kytkeä esisäätöarvoilla. Katso kuvat oikealla.

Korjaa poltin-venttiilin kytkennät

9. Kiinnitä elektrodi polttimeen.
10. Vaihda polttimet varovasti.
11. Kiinnitä polttimet tulipesän kannakkeisiin.
12. Siirrä siirtohormet ja liitä polttimiin. Vaihda lämmönjakopellit ja grilliritilät.
13. Ennen seuraavaa kypsennystä grillillä, suorita "Vuototesti" ja "Polttimen Liekin Tarkistus".



Laitteesi Varastointi

- Puhdista grilliritilät.
- Säilytä kuivassa tilassa.
- Kun kaasupullo on liitettyyn laitteeseen, varastoi ulkona hyvin tuuletettavassa tilassa ja poissa lasten ulottuvilta.
- Peitä laite, jos sitä säilytetään ulkona.
- Säilytä laitetta sisätiloissa VAIN, jos kaasupullo on kytketty pois päältä ja irrotettu, poistettu laitteesta ja varastoituna ulkona.
- Laitetta siirtäessä pois varastoinnista tarkista, että polttimissa ei ole tukoksia

Laitteen Yleinen Puhdistus

- Puhdista laite usein, suositus jokaisen kypsennyksen jälkeen. Jos laitteen paistopinnan puhdistuksessa käytetään harjaa, varmista että harjaksia ei jää paistopinnoille ennen grillausta. Ei ole suositeltavaa puhdistaa paistopintaa, kun laite on kuuma. Laite tulee puhdistaa vähintään kerran vuodessa.
- Älä sekoita ruskean tai mustan rasvan kertymiä rasvaa ja maalin polttoa. Kaasugrillien sisätiloja ei maalata tehtaalla (eikä pitäisi koskaan maalata). Levitä voimakasta puhdistusainetta ja vettä tai käytä laitteen puhdistusainetta ja jynssäysharpaa laitteen kannen sisäisivuihin sekä pohjaan.
- Huuhtelee ja anna kuivua täysin. Älä käytä syövyttäviä aineita laitteen / uuninpuhdistusainetta maalatuille pinnoille.
- Muoviosat: Pese lämpimällä saippuavedellä ja kuivaa.
- Älä käytä citrasolvaa, hankaavia puhdistusaineita, rasvanpoltoaineita tai konsentroitua puhdistusainetta muoviosiin. Tämä voi aiheuttaa vaurioita tai vikoja osiin.
- Posliini pinnat: Lasimaisesta koostumuksesta johtuen useimmat jäämät voidaan pyyhkiä ruokasoodalla / vesiliuoksella tai erityisesti posliinille kehitetyllä puhdistusaineella. Käytä hankaamatonta pesujauhetta tahroihin.
- Maalatut pinnat: Pese miedolla pesuaineella tai ei hankaavia puhdistusaineita ja lämmintä saippuavettä. Kuivaa pehmeällä hankaamattomalla kankaalla.
- Ruostumattomat teräspinnat: Laitteen korkealaatuinen ulkonäkö voidaan säilyttää pesemällä miedolla pesuaineella ja lämpimällä saippuavedellä ja pyyhi kuivaksi pehmeällä liinalla jokaisen käytön jälkeen. Tarttunut rasva voi vaatia käytettäväksi hiovaa muovista puhdistustyynyä. Käytä vain harjatun viimeistelyn suuntaan vahinkojen välttämiseksi. Älä käytä hankaustyynyjä alueille, joissa gorafiikkaa.
- Keittotasot: Jos laitteen paistopinnan puhdistuksessa käytetään harjaa, varmista että harjaksia ei jää paistopinnoille ennen grillausta. Ei ole suositeltavaa puhdistaa paistopintaa, kun laite on kuuma.

Ruostumaton teräs

On olemassa monia erilaisia (seoksia) materiaaleja, joita kutsutaan ruostumattomaksi teräkseksi.

Yhteinen piirre näille eri seostyypeille on, että ne saattavat syöpyä (hapettua), riippuen olosuhteista joihin ne altistetaan.

Tämä koskee myöskin uutta grilliäsi.

Voit varmistaa, että grilli säilyttää ulkonäkönsä ja toiminnallisuutensa monta vuotta noudattamalla seuraavia ohjeita.

- 1) Jos grilli on kastunut tai kostea, muista kuivata se liinalla pinnan korroosion estämiseksi.
- 2) Ruostumaton teräs voi ruostua tietyissä olosuhteissa. Tämä voi johtua ympäristöön liittyvistä olosuhteista, kuten kloorista tai suolaisesta vedessä tai vääristä siivousvälineistä kuten teräsvilla. Se voi myös värjäytyä johtuen lämmöstä, kemikaaleista tai rasvan kertymisestä.
- 3) Laitteen korkealaatuinen ulkonäkö voidaan säilyttää pesemällä miedolla pesuaineella ja lämpimällä saippuavedellä ja pyyhi kuivaksi pehmeällä liinalla jokaisen käytön jälkeen. Tarttunut rasva voi vaatia käytettäväksi hiovaa muovista puhdistusvynnyä. Käytä vain harjatun viimeistelyn suuntaan vahinkojen välttämiseksi. Älä käytä hankaustyynyjä alueille, joissa grafiikkaa.
- 4) Rasvaa grillin sisäosat ja ritilät ruokaöljyllä.

Huomaa:

Vältä naarmuttamista pintaa joka luo pohjan ruosteen syntyville. Ioten älä koskaan käytä teräsvillaa tai vastaavaa ruostumatonta terästä puhdistettaessa.

Kun puhdistat, työskentele samaan suuntaan kuin ruostumaton teräs on harjattu eli

'syidensuuntaisesti'. Hankausaineilla puhdistus voi jättää naarmuja.

Grillin säilytys lähellä rannikkoa, uima-allasta tai kylpylää aiheuttaa grilliin syöpymistä (hapettuu).

Peitä grilli ruosteen estämiseksi.

TEKNISET TIEDOT CHAR-BROIL, LLC

Laitteen Nimi	Kaasugrilli/Grilli			
Nimellislämpöteho	8.21kW (597 g/h)		7,03kW (512 g/h)	
Kaasukategoria	I3+(28-30/37)	I3B/P(30)	I3B/P(50)	
Mallinro.	468402118		468401118	
Kaasutyyppi	Butaani	Propani	Butaani, Propani tai niiden seokset	Butaani, Propani tai niiden seokset
Kaasun Paine	28-30 mbar	37 mbar	30 mbar	50 mbar
Suuttimen Koko (Halk. mm)	Grilli: 1,03 x 2 poltinta		Grilli: 1,03 x 2 poltinta	Grilli: 0,80 x 2 poltinta
	Keittolevy: Ei saatavilla		Keittolevy: Ei saatavilla	Keittolevy: Ei saatavilla
Kohdemaat	GB, FR, BE, ES, IT, PT, CZ, SK		DK, NO, NL, SE, FI, IS, CZ, IT, SK	AT, DE, CH, LU

1,5 VDC -akku

INSTALADOR/ENSAMBLADOR:

Entregue este manual al consumidor.

CONSUMIDOR:

Conserve este manual para futura referencia.

Preguntas:

Si tiene preguntas durante el ensamble o uso de este aparato contacte a su distribuidor local.



PELIGRO



Si huele a gas:

1. Cierre el suministro de gas del aparato.
2. Apague todas las llamas abiertas.
3. Abra la tapa.
4. Si el olor persiste, aléjese del aparato e inmediatamente llame a su proveedor de gas o al departamento de bomberos.



ADVERTENCIA



1. No almacene ni use petróleo u otros líquidos inflamables cerca de este u otro aparato.
2. Cuando el cilindro de gas no está en uso no debe almacenarse cerca de este ni de otro aparato.



PRECAUCIÓN



- Lea y siga todas las declaraciones de seguridad, instrucciones de ensamble, uso y cuidado antes de intentar ensamblar o cocinar.
- Algunas partes pueden contener bordes afilados. Se recomienda usar guantes protectores.

Fuego de grasa

- No es posible apagar los incendios de grasas cerrando la tapa. Las barbacoas están bien ventiladas por motivos de seguridad.
- No use agua en un fuego de grasa, puede ocasionar lesiones personales. Si se desarrolla un fuego de grasa persistente, apague los botones y cierre el cilindro de gas.
- Si el aparato no se ha limpiado periódicamente, puede ocurrir un fuego de grasa que puede dañar el producto. Ponga especial cuidado al precalentar o quemar residuos de comida, para asegurarse que no se desarrolle un fuego de grasa. Siga las instrucciones generales de limpieza del aparato y limpieza del conjunto de quemadores para prevenir los fuegos de grasa. La mejor forma de prevenir los fuegos de grasa es la limpieza periódica del aparato.
- No deje la barbacoa en HIGHT (alto) desatendida mientras se precalienta o quema residuos de comida. Si la barbacoa no se limpia regularmente, puede ocurrir un incendio de grasas que puede dañar el producto.



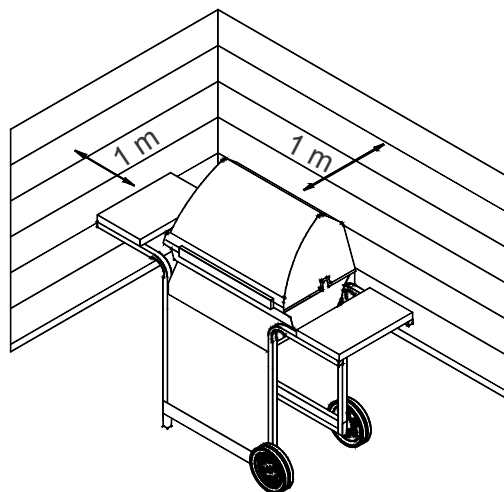
ADVERTENCIA



Para el uso seguro de su aparato y evitar lesiones serias:

• **USO ÚNICAMENTE EN EXTERIORES. NUNCA LO USE EN INTERIORES.** Lea las instrucciones antes de usar este aparato. Siga siempre estas instrucciones.

- No mueva el aparato cuando está en uso.
- Las partes accesibles pueden estar muy calientes. Mantenga los niños menores alejados. No permita que los niños operen o jueguen cerca del aparato.
- Cierre el suministro de gas en el cilindro luego de usarlo.
- Este aparato debe mantenerse alejado de materiales inflamables durante su uso.
- No bloquee los agujeros a los lados o respaldo del aparato.
- Revise periódicamente la llama de los quemadores.
- No bloquee las aberturas de los venturís del quemador.
- Use el aparato solo en un lugar bien ventilado. NUNCA lo use en un espacio cerrado, tal como una cochera, garaje, veranda, patio cubierto o debajo de una estructura cubierta de cualquier tipo.
- No use briquetas de carbón o cerámica en el aparato de gas.
- NO cubra las parrillas con papel aluminio ni otro material. Esto bloquea la ventilación de los quemadores y crea una situación potencialmente peligrosa que puede ocasionar daños a la propiedad y/o lesiones personales.
- Use el aparato al menos a 1 metro de cualquier pared o superficie. Mantenga un espacio libre de 3 metros de los objetos que pueden encenderse, tales como luces piloto de calentadores de agua, electrodomésticos conectados, etc.



- NUNCA intente encender los quemadores con la tapa cerrada. La acumulación de gas sin encender dentro del aparato cerrado es peligrosa.
- Siempre cierre el gas en el cilindro y desconecte el regulador antes de cambiar el cilindro de la posición de operación especificada.
- Nunca opere el aparato con el cilindro de gas por fuera de la posición correcta especificada.
- No modifique el aparato. Todas las modificaciones están estrictamente prohibidas. Las piezas selladas no deben ser manipuladas por el usuario. No desarme los inyectores.

Consejos de seguridad

Consejos de seguridad

- Antes de abrir la válvula del cilindro de gas, revise que el regulador esté apretado.
- Cuando no use el aparato, apague todas las perillas de control y cierre el gas.
- Use utensilios para barbacoa largos y guantes para horno para evitar quemaduras y salpicaduras. Use guantes protectores cuando manipule componentes calientes.
- La carga máxima para la placa caliente, si cuenta con ella, y la bandeja lateral, es 4,5 kilos. El recipiente de cocción debe tener un diámetro mínimo de 200 mm y máximo de 260 mm. NOTA: ¡Su barbacoa puede NO tener una placa caliente!
- La taza de grasas (si cuenta con ella) debe estar colocada en el aparato y se debe desocupar después de cada uso. No retire la taza de grasas hasta que el aparato se haya enfriado completamente.
- Sea muy cuidadoso al abrir la tapa, ya que el vapor caliente puede escapar.
- Sea muy cuidadoso cuando haya niños, ancianos o mascotas cerca.
- Si nota que escurre grasa y otro material caliente del aparato, en la válvula, manguera o regulador, cierre el suministro de gas inmediatamente. Determine la causa, corrijala, luego limpie e
- inspeccione la válvula, manguera y regulador antes de continuar usándolo. Realice una prueba de fugas.
- No almacene objetos o materiales dentro de la canasta del carro del aparato, que puedan bloquear el flujo del aire de combustión para la parte inferior, el panel de control o la taza de la caja de fuego.
- NO desconecte o cambie el recipiente de gas a menos de 3 metros de una llama abierta o fuente de ignición.

Kaasupullon Sijoittaminen

Sylinteri ei voi sijoittaa alle tai laitteen. Sylinterit on sijoitettava sivulle ja laitteen takana. Kaasupullot on oltava halkaisijaltaan enintään 345mm ja suurin korkeus 600 mm. Sylinterit asetettu maahan ei saa sijoittaa alle kuumalle levyille.

Säädintä koskevat vaatimukset

Säädintä on käytettävä laitteen kanssa. Käytä ainoastaan kaasusäädintä, joka on toimitettu laitteen mukana. Jos säädintä ei ole toimitettu, käytä vain sertifioitua säädintä EN 16129 (virtausnopeus maks. 1,5 kg / h) ja joka on hyväksytty maassasi ja täyttää kaasun määräykset Teknisissä Tiedoissa.

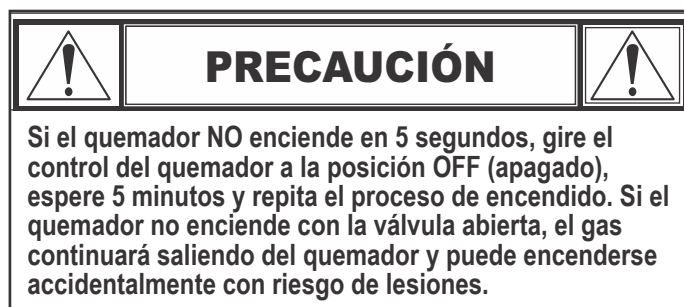
Letkua koskevat Vaatimukset

Käytä vain hyväksyttyä letkua ja joka on sertifioitu EN standardin mukaisesti ja on enintään 1,5 m pitkä. Suomen osalta letkun pituus saa olla enintään 1,2 m.

Ennen jokaista käyttöä, tarkista onko että letku katkennut tai kulunut. Varmista että letku ei ole mutkalla. Varmista, että yhdistettynä letku ei osu kuumiin pintoihin. Vaihda vaurioituneet letkut ennen laitteen käyttöä. Vaihda letku kansallisten vaatimusten mukaan.

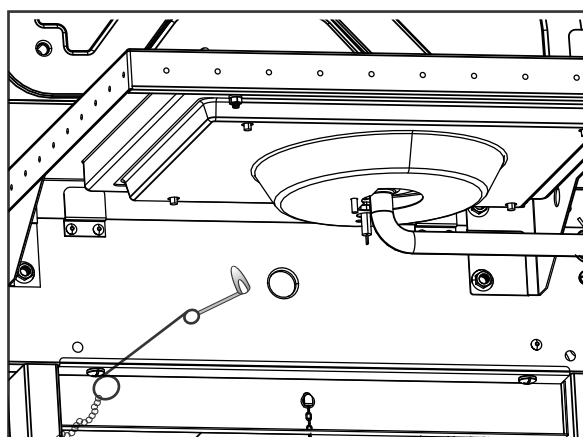
Encender con el encendedor

- **No se incline sobre la barbacoa al encenderla.**
1. Gire las válvulas de control de los quemadores a ○ (apagado).
 2. Abra la tapa durante el encendido o reencendido.
 3. Abra el gas en el cilindro de LP.
 4. Para encender, gire y empuje la perilla del quemador a la posición 🔥 HIGH (Alto). Inmediatamente, presione y mantenga presionado el botón ELECTRONIC IGNITOR (encendedor electrónico) hasta que el quemador encienda.
 5. Si el quemador NO enciende en 5 segundos, gire el control del quemador a la posición OFF ○ (apagado), espere 5 minutos y repita el proceso de encendido.
 6. Para encender los quemadores restantes, empuje y gire la perilla a la posición de arranque alto con los quemadores más cercanos al quemador ENCENDIDO primeros.




Encendido con cerilla

- **No se incline sobre la barbacoa al encenderla.**
1. Gire las válvulas de control de los quemadores a ○ (apagado).
 2. Abra la tapa durante el encendido o reencendido.
 3. Abra el gas en el cilindro de LP
 4. Ponga la cerilla en el soporte para cerillas (cuelga del panel lateral de la barbacoa). Encienda la cerilla, luego encienda el quemador poniendo la cerilla por el agujero para cerillas a un lado de la barbacoa. Inmediatamente presione y gire la perilla del quemador a la posición 🔥 HIGH (alto). Asegúrese que el quemador enciende y se mantiene encendido.
 5. Encienda los quemadores adyacentes en secuencia, presionando las perillas y girándolas a la posición HIGH (alto).



Prueba de fugas de válvulas, manguera y regulador

Revise que no haya fugas antes del primer uso, una vez al año y cada vez que cambia o desconecta el cilindro de gas.

1. Ponga todas las perillas de control del aparato en la posición .
2. Asegúrese que el regulador está firmemente conectado al cilindro de gas.
3. Cierre el gas. Si escucha un siseo, cierre el gas de inmediato. Hay una fuga de gas grande en la conexión. Corrijala antes de continuar.
4. Aplique una solución jabonosa (mezcla por mitad de jabón y agua) a las conexiones de la manguera.
5. Si aparecen burbujas que crecen, hay una fuga. Cierre inmediatamente el gas en el cilindro y compruebe que las conexiones estén apretadas. Si no se puede detener la fuga, no intente una reparación. Llame para solicitar piezas de reemplazo.
6. Siempre cierre el gas en el cilindro antes de realizar la prueba de fugas.



PRECAUCIÓN



ALERTA DE ARAÑAS

ARAÑAS Y TELARAÑAS DENTRO DEL QUEMADOR



Si su barbacoa se hace difícil de encender o la llama es débil, compruebe y limpie los venturís y quemadores.

Se conoce que las arañas e insectos pequeños ocasionan problemas de "fogonazos" al construir nidos y poner huevos en los venturís o quemadores, obstruyendo el paso de gas. El gas acumulado puede encenderse detrás del panel de control. El fogonazo puede dañar la barbacoa y ocasionar lesiones. Para evitar los fogonazos y asegurar un buen desempeño, el conjunto de venturi y tubo inyector debe ser retirado y limpiado cuando la barbacoa no ha sido usada por un periodo prolongado de tiempo.

SI EL APARATO NO ENCIENDE

- Asegúrese que el gas esté abierto en el cilindro.
- Asegúrese haya gas en el cilindro.
- ¿El encendedor hace un sonido de chispa?
 - Si lo hace, revise la chispa en el quemador.
 - Si no hay chispa, revise que no haya cables dañados o sueltos.
- Si los cables están bien, revise que el electrodo no esté fracturado o roto y reemplácelo si es necesario.
- Si los cables o electrodos están cubiertos por residuos de comida, limpie la punta del electrodo con una toallita con alcohol, si es necesario.
- Si es necesario, reemplace los cables.
- Si no hay sonido, revise la batería.
- Asegúrese que la batería está instalada correctamente.
- Revise que no haya conexiones del cable sueltas en el módulo y el interruptor.
- Si el encendedor sigue sin funcionar, use cerillas.

Limpiar el conjunto quemador

Siga estas instrucciones para limpiar y/o reemplazar piezas del conjunto quemador, o si tiene problemas para encender la barbacoa.

1. **Apague el gas en las perillas de control y cierre el cilindro de gas LP.**

2. Retire las parillas de cocción y los difusores de calor.

3. Retire los tubos de transferencia y las piezas que aseguran los quemadores.

4. Quite el electrodo del quemador.

NOTA: El método para quitar/remover dependerá de la configuración del quemador. Vea a continuación diferentes configuraciones en las ilustraciones.

5. Levante cuidadosamente cada quemador hacia arriba y alejando de las aberturas de las válvulas. Sugerimos tres formas de limpiar los tubos quemadores. Use la que le parezca más fácil.

A. Doble un alambre rígido (un gancho para la ropa ligero funciona bien) formando un pequeño gancho. Pase el gancho varias veces por cada tubo quemador.



B. Use un cepillo de biberón angosto con mango flexible (no use una brocha de alambre de bronce). Pase el cepillo varias veces por cada tubo quemador.

C. Use protección para los ojos: Use una manguera de aire para forzar aire en el tubo quemador y hacia afuera de los puertos de los quemadores. Revise todos los puertos para asegurarse que sale aire de todos.

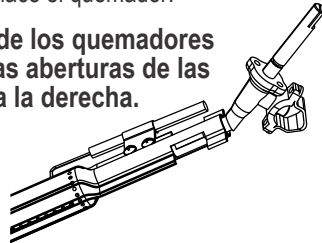
6. Limpie con una brocha de alambre la superficie exterior del quemador para eliminar los residuos de comida y tierra.

7. Limpie las partes bloqueadas con un alambre rígido, tal como un clip de papel abierto.

8. Revise que el quemador no tenga daños debido al uso normal y corrosión, algunos agujeros se pueden agrandar. Si encuentra grietas grandes o agujeros, reemplace el quemador.

MUY IMPORTANTE: Los tubos de los quemadores deben acoplarse de nuevo en las aberturas de las válvulas. Vea las ilustraciones a la derecha.

Acople correcto quemador a válvula



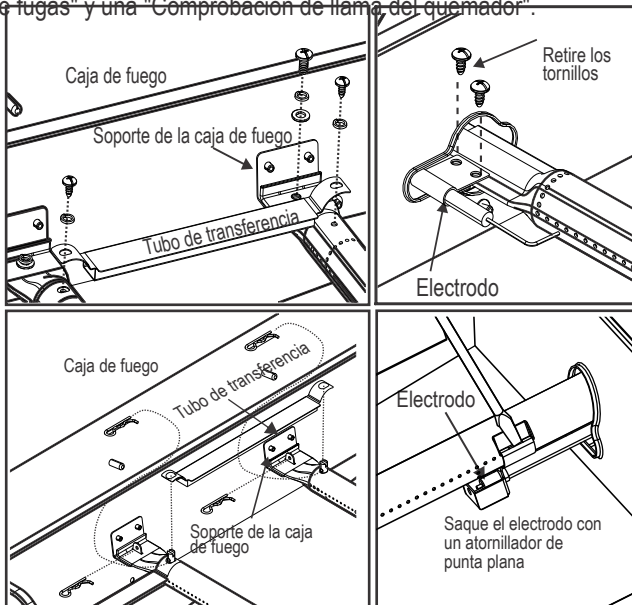
9. Fije el electrodo al quemador.

10. Reemplace los quemadores cuidadosamente.

11. Fije los quemadores con soportes a la caja de fuego.

12. Posicione de nuevo los tubos de transferencia y acople los quemadores. Reemplace los difusores de calor y las parillas de cocción.

13. Antes de cocinar nuevamente en la barbacoa, realice una "Prueba de fugas" y una "Comprobación de llama del quemador".



Almacenar su aparato

- Limpie las parillas de cocción.
- Almacene en un lugar seco.
- Cuando el cilindro de gas está conectado al aparato, almacene en exteriores en un lugar bien ventilado y lejos del alcance de los niños.
- Cubra el aparato si lo almacena en exteriores.
- Almacene el aparato en interiores ÚNICAMENTE si el cilindro de gas está cerrado y desconectado, retirado del aparato y almacenado en exteriores.

Al sacar el aparato del almacenamiento, revise que no haya obstrucciones en los quemadores.

Limpieza general del aparato

- Limpie el aparato con frecuencia, preferiblemente después de cada uso. Si se usa un cepillo de cerdas para limpiar las superficies de cocción del aparato antes de asar, asegúrese que no queden cerdas sueltas en las superficies de cocción. No se recomienda limpiar la superficie de cocción cuando el aparato está caliente. El aparato debe limpiarse al menos una vez al año.
- No confunda con pintura la acumulación negra o café de grasa o humo. Los interiores de las barbacoas de gas no se pintan en la fábrica (y nunca deben pintarse). Aplique una solución de detergente fuerte y agua, o use un limpiador de aparatos, cepillando el interior de la tapa y fondo del aparato.
- Enjuague y permita que se seque completamente al aire. No aplique limpiadores de aparatos/hornos cáusticos a las superficies pintadas.
- Parte plásticas: Lave con agua tibia jabonosa y seque con un trapo.
- No use citrisol, limpiadores abrasivos, desengrasantes o limpiadores concentrados para aparatos en las partes plásticas. Puede ocasionar daños y averías a las piezas.
- Superficies de porcelana: Debido a su composición parecida al vidrio, la mayoría de los residuos pueden limpiarse con una solución de agua y soda, o un limpiador especialmente formulado. Use polvo desengrasante no abrasivo para las manchas difíciles.
- Superficies pintadas: Lave con detergente suave o limpiador no abrasivo y agua tibia jabonosa. Seque con un trapo suave no abrasivo.
- Superficies de acero inoxidable: Para conservar la apariencia de alta calidad de su aparato, lave con un detergente suave y agua caliente jabonosa y seque con un trapo suave luego de cada uso.
- Los depósitos de grasa quemada pueden requerir el uso de una espuma limpiadora abrasiva de plástico. Use solamente en dirección del acabado bruñido para evitar daños. No use la espuma abrasiva en áreas con dibujos.
- Superficies de cocción: Si se usa un cepillo de cerdas para limpiar las superficies de cocción del aparato antes de asar, asegúrese que no queden cerdas sueltas en las superficies de cocción. No se recomienda limpiar las superficies de cocción cuando el aparato está caliente.

Acero inoxidable

Hay muchos tipos diferentes de materiales (aleaciones) que se consideran acero inoxidable.

Una característica común de estos diferentes tipos, es que pueden corroerse (oxidarse) dependiendo de las condiciones a las que son sujetos.

Esto también aplica para su nueva barbacoa.

Para asegurar que la barbacoa conserve su apariencia y funcionalidad por muchos años, por favor siga estos consejos.

1) Si la barbacoa se moja o humedece, asegúrese de secarla usando un trapo, para evitar la corrosión de la superficie.

2) El acero inoxidable se puede oxidar en ciertas condiciones. Esto puede ser ocasionado por condiciones ambientales tales como el cloro o el agua salada, o herramientas de limpieza inadecuadas, tales como alambres o esponjillas de acero. También se puede decolorar debido al calor, químicos o acumulación de grasa.

3) Para conservar la apariencia de alta calidad de su aparato, lave con un detergente suave y agua caliente jabonosa y seque con un trapo suave luego de cada uso. Los depósitos de grasa quemada pueden requerir el uso de una espuma limpiadora abrasiva de plástico. Use solamente en dirección del acabado bruñido para evitar daños. No use la espuma abrasiva en áreas con dibujos.

4) Engrase las partes internas de la barbacoa y las parrillas con aceite de cocina.

Por favor tenga en cuenta:

Para evitar rayar la superficie y ayudar a la formación de óxido, nunca use esponjillas metálicas o similares al limpiar el acero inoxidable.

Al limpiar, trabaje en la misma dirección del bruñido del acero inoxidable, "con el grano". Limpiar con abrasivos puede ocasionar rayones.

Almacenar la barbacoa cerca de la costa, piscina o spa, ocasionará que la barbacoa se corra (oxide).

Cubra la barbacoa para protegerla contra el óxido.

DATOS TÉCNICOS
CHAR-BROIL, LLC

Nombre del aparato	Barbacoa a gas/parrilla a gas			
Entrada de calor nominal	8.21kW (597 g/h)		7,03kW (512 g/h)	
Categoría de gas	I3+(28-30/37)	I3B/P(30)	I3B/P(50)	
Modelo No.	468402118		468401118	
Tipo de gas	Butano	Propano	Butano, propano o sus mezclas	Butano, propano o sus mezclas
Presión del gas	28-30 mbar	37 mbar	30 mbar	50 mbar
Tamaño de inyectores (Diám. en mm)	Barbacoa: 1,03 x 2 piezas		Barbacoa: 1,03 x 2 piezas	Barbacoa: 0,80 x 2 piezas
	Placa caliente: N/D		Placa caliente: N/D	Placa caliente: N/D
Países destino	GB, FR, BE, ES, IT, PT, CZ, SK		DK, NO, NL, SE, FI, IS, CZ, IT, SK	AT, DE, CH, LU

Batería de 1,5 VDC

INSTALADOR/MONTADOR:

Deixe este manual com o consumidor.

CONSUMIDOR:

Guarde este manual para referência futura.

Perguntas:

Se tiver alguma questão durante a montagem ou utilização deste aparelho contacte o seu distribuidor local.



PERIGO



Se lhe cheirar a gás:

1. Desligue o gás do aparelho.
2. Apague todas as chamas abertas.
3. Abra a tampa.
4. Se o odor persistir, mantenha-se longe do aparelho e ligue imediatamente para o seu distribuidor de gás ou para os bombeiros.



AVISO



1. Não guarde ou use gasolina ou outros líquidos inflamáveis nas proximidades deste ou de qualquer outro aparelho.
2. Uma botija de gás que não esteja ligada para ser usada não deve ser guardada nas proximidades deste ou de qualquer outro aparelho.



ATENÇÃO



- Leia e siga todos os manifestos de segurança, instruções de montagem e indicações de manutenção e utilização antes de tentar montar o aparelho e cozinhar.
- Algumas partes podem ter rebordos afiados. É recomendado que use luvas de proteção.

Fogos de Gordura

- Não é possível apagar fogos de gordura ao fechar da tampa. Os grelhadores são bem ventilados, por razões de segurança.
- Não use água com um fogo de gordura. Pode resultar em lesões pessoais. Se se der um fogo de gordura persistente, desligue os reguladores e a botija de gás.
- Se o aparelho não for limpo com regularidade, pode ocorrer um fogo de gordura que o pode danificar. Tome muita atenção durante o pré-aquecimento ou enquanto queima resíduos de comida para se assegurar que não se desenvolve um fogo de gordura. Siga as gerais de limpeza do aparelho e de limpeza da montagem dos queimadores para prevenir fogos de gordura. A melhor forma de prevenir fogos de gordura é limpar regularmente o aparelho.
- Não deixe o grelhador desacompanhado enquanto estiver a aquecer ou a queimar resíduos de gordura no HI. Se o grelhador não for limpo regularmente, pode dar-se um fogo de gordura que pode danificar o produto.



AVISO

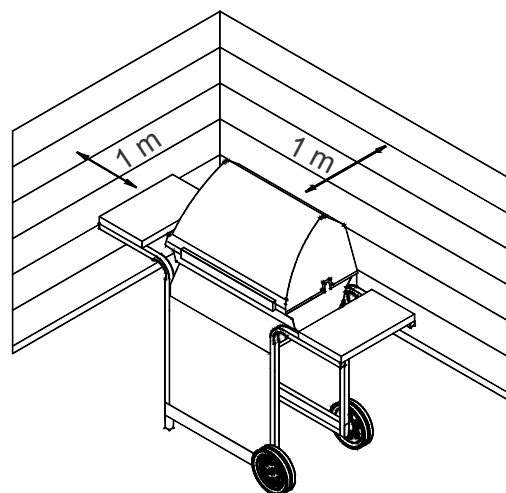


Para Um Uso Seguro do Seu Aparelho e para Evitar Lesões Graves:

• **USE SOMENTE NO EXTERIOR. NUNCA USE NO INTERIOR.**
Leia as instruções antes de usar o aparelho.

Siga sempre estas instruções.

- Não movimente o aparelho durante a sua utilização.
- As partes acessíveis podem estar muito quentes. Não deixe que as crianças operem ou brinquem perto do aparelho.
- Desligue o fornecimento de gás no cilindro depois de usar.
- Este aparelho tem de ser afastado de materiais inflamáveis durante a sua utilização.
- **Não** bloqueie os furos nos lados ou na traseira do aparelho.
- Verifique as chamas dos queimadores com regularidade.
- Não bloqueie as aberturas de venturi no queimador
- Use o aparelho somente em espaços bem ventilados. **NUNCA** use em espaços fechados tais como estacionamentos cobertos, garagens, alpendres, pátios cobertos, ou debaixo de qualquer estrutura de cobertura.
- Não use carvão ou briquetes de cerâmica num aparelho a gás.
- **NÃO** cubra as grelhas com folha de alumínio ou qualquer outro material. Isto irá bloquear a ventilação do queimador e criar uma condição potencialmente perigosa que pode resultar em lesões pessoais e/ou danos materiais.
- **Use o aparelho a pelo menos 1m de distância de qualquer parede ou superfície.**
- Mantenha 3m de distância para objetos que possam pegar fogo ou de fontes de ignição, tais como chamas-piloto, aquecedores de água, aparelhos elétricos acesos, etc.



- Nunca tente ligar um queimador com a tampa fechada. Uma acumulação de gás por queimar dentro de um aparelho fechado é perigosa.
- Desligue sempre o gás na botija e desligue o regulador antes de mover a botija de gás da posição de funcionamento especificada.
- Nunca ponha o aparelho a funcionar com a botija de gás fora da correta posição especificada.
- Não modifique o aparelho. Quaisquer modificações são estritamente proibidas. As peças seladas não são para ser manipuladas pelo utilizador. Não desmonte os injetores.

Dicas de Segurança

- Antes de abrir a válvula da botija de gás, verifique a estanquicidade do regulador.
- Quando o aparelho não esteja a ser usado, desligue todos os botões de controlo e o gás.
- Utilize utensílios de grelhador com pegas longas e luvas de forno para evitar queimaduras e salpicos. Use luvas de proteção quando estiver a manipular componentes quentes.
- A carga máxima do fogareiro, se equipada, e da prateleira lateral é de 4,5 Kg. O diâmetro mínimo da superfície de cozedura é de 200mm e o máximo de 260mm. NOTA: O seu grelhador pode NÃO estar equipado com um Fogareiro!
- O copo de gordura (se equipado) deve ser inserido no aparelho e esvaziado depois de cada utilização. Não retire o copo de gordura até que o aparelho tenha arrefecido completamente.
- Tenha muito cuidado quando abrir a tampa, uma vez que pode libertar-se vapor quente.
- Tenha muito cuidado quando crianças, idosos ou animais de estimação estejam próximos. Se notar que gordura ou qualquer outro material quente está a pingar do aparelho para a válvula, mangueira ou regulador, desligue imediatamente o fornecimento de gás. Determine a causa, corrija-a, e depois limpe e inspecione a válvula, mangueira e regulador antes de prosseguir. Faça um teste de fugas.
- Não guarde objetos ou materiais dentro da parte fechada do carrinho do aparelho que possam bloquear o fluxo de combustão de ar para a parte de baixo tanto do painel de controlo como da bacia da fornalha.
- NÃO desligue ou troque o contentor de gás num raio de 3m de uma chama aberta ou outra fonte de ignição.

Posicionamento da Botija

Cilindro não pode ser colocada por baixo ou no interior do aparelho. cilindros são para ser colocado para o lado e de trás do aparelho. Os cilindros estão a ser um diâmetro máximo de 345 milímetros e altura máxima de 600 milímetros. Cilindros colocados no chão não deve ser colocada sob a placa quente.

Requerimentos do Redutor

Deve ser utilizado um redutor com este aparelho. Use apenas o redutor de gás fornecido com o seu grelhador. Se não lhe for fornecido um redutor, então use um certificado pela norma EN16129 (Caudal máx. 1,5kg/h) e aprovada para o seu país e o gás especificados nos Dados Técnicos.

Requerimentos da Mangueira

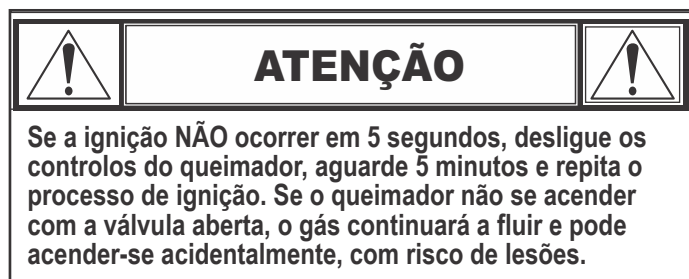
Use apenas mangueiras aprovadas, que são certificadas pela norma EN padrão apropriada e que não excedem os 1,5m de comprimento. Na Finlândia, o comprimento da mangueira não deve exceder os 1,2m.

Antes de cada utilização, verifique se as suas mangueiras estão cortadas ou gastas. Assegure-se de que a mangueira não está dobrada. Assegure-se de que, quando esteja ligada, a mangueira não toca em nenhuma superfície quente. Substitua as mangueiras danificadas antes de usar o aparelho. Substitua a mangueira seguindo os requerimentos nacionais.

Acender com dispositivo de ignição

- Não se incline sobre o grelhador ao acendê-lo.

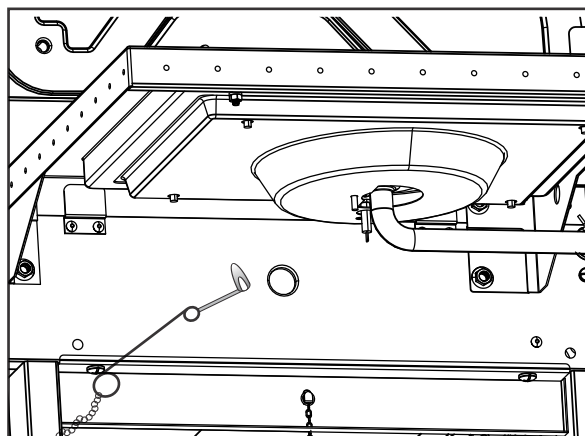
1. Posicione as válvulas de controlo dos queimadores em ○ (off - desligado)
2. Abra a tampa ao acender ou re-acender.
3. LIGUE o gás na botija.
4. Para acender, pressione e rode o botão do queimador de ignição para 🔥 HIGH. Pressione e segure imediatamente o botão de Ignição Eletrônica que o queimador se acenda.
5. Se a ignição NÃO ocorrer em 5 segundos, desligue os controlos do queimador na posição ○, aguarde 5 minutos e repita o processo de ignição.
6. Para inflamar restantes queimadores, empurrar e rodar o botão para a posição de partida elevado com os queimadores mais próximos ao acendimento do queimador primeiros.



Acender com fósforos

- Não se incline sobre o grelhador ao acendê-lo.


1. Posicione as válvulas de controlo dos queimadores em ○ (off - desligado).
2. Abra a tampa ao acender ou re-acender.
3. LIGUE o gás na botija.
4. Coloque o fósforo no suporte de fósforos (pendurado no painel lateral do grelhador). Acenda o fósforo, e em seguida acenda o queimador ao introduzir o fósforo através do furo de ignição com fósforo na lateral do grelhador. Pressione e rode imediatamente o botão do queimador para a posição 🔥 HIGH. Assegure-se de que o queimador acendeu e se mantém aceso.
5. Acenda os queimadores adjacentes sequencialmente, ao pressionar os botões e rodá-los para a posição 🔥 HIGH.




Testar Fugas em Válvulas, Mangueira e Redutor

Faça um teste de fugas antes da primeira utilização, pelo menos uma vez por ano, e a cada vez que trocar ou desligar uma botija.

1. Rode todos os botões de controlo do aparelho para O.
2. Assegure-se de que o redutor está firmemente ligado à botija de gás.
3. Ligue o Gás. Se ouvir um som de vento, desligue imediatamente o gás. Existe uma fuga importante na ligação. Corrija antes de prosseguir.
4. Esfregue uma solução de sabão (mistura de uma parte de sabão e uma parte de água) nas ligações da mangueira.
5. Se aparecerem bolhas crescentes, existe uma fuga. Desligue o gás na botija imediatamente e verifique a firmeza das ligações. Se não for possível estancar a fuga, não tente repará-la. Ligue a encomendar peças de substituição.
6. Desligue sempre o gás na botija depois de fazer o teste de fugas.

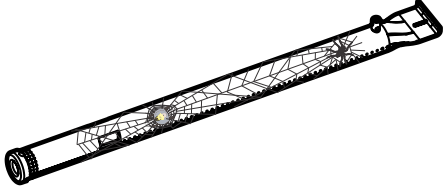


ATENÇÃO



ALERTA DE ARANHAS

ARANHAS E TEIAS DENTRO DO QUEIMADOR



Se o seu grelhador está com dificuldades em acender-se ou se a chama estiver fraca, verifique e limpe os venturis e queimadores.

Aranhas ou pequenos insetos são causas conhecidas de problemas de “flashback”, ao constuir ninhos e por ovos dentro do venturi ou queimador dos grelhadores, obstruindo assim a passagem do gás. O gás preso pode entrar em combustão por detrás do painel de controlo. Este flashback pode danificar o seu grelhador e provocar lesões. Para prevenir flashbacks e assegurar um bom desempenho, a montagem do queimador e tubo de venturi devem ser removidas e limpas sempre que o grelhador tenha estado parado por um grande período de tempo.

SE O APARELHO NÃO LIGAR

- Assegure-se que o gás está ligado na botija.
- Make sure there is gas in the cylinder. Assegure-se de que há gás na botija.
- O dispositivo de ignição faz um som de clique?
- Se sim, verifique a faísca no queimador.
- Se não houver faísca verifique se os fios estão soltos ou danificados.
- Se os fios estiverem bem, verifique se o eléctrodo está rachado ou partido, e substitua se necessário.
- Se os fios ou eléctrodos estiverem cobertos por resíduos de cozinhados, limpe a ponta do eléctrodo com um lenço embebido em álcool se necessário.
- Se necessário, substitua os fios.
- Se não houver som, verifique a bateria.
- Assegure-se de que a bateria está corretamente instalada.
- Verifique se a ligação dos fios está frouxa no módulo e no interruptor.
- Se o dispositivo de ignição continuar a não funcionar, use um fósforo..

Limpeza do Conjunto do Queimador

Siga estas instruções para limpar e/ou substituir peças do conjunto do queimador, ou se tiver problemas a ligar o grelhador.

1. Desligue o gás nos botões de controlo e na botija de gás
2. Remova as grelhas de cozinhar e os distribuidores de chama.
3. Remova os tubos de transporte e as ferragens que apertam os queimadores.
4. Desprenda o elétrodo do queimador.

NOTA: O método para remover/desprender irá depender da configuração do queimador. Veja as diferentes configurações nas ilustrações abaixo.

5. Levante cuidadosamente cada queimador e afaste-o das aberturas das válvulas. Sugerimos-lhe três formas de limpar os tubos dos queimadores. Use a que lhe for mais fácil.

A. Dobre um arame duro (um cabide leve funcionará bem) em forma de gancho pequeno. Passe o gancho através de cada tubo de queimador várias vezes.



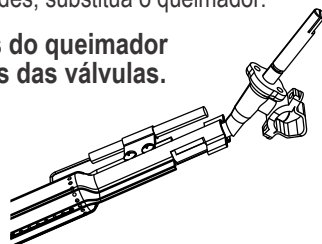
B. Use escovilhão de garrafas estreito com uma pega flexível (não use uma escova de latão). Passe o escovilhão através do tubo do queimador várias vezes.

C. Use proteção ocular: Use uma mangueira de ar para forçar o ar a entrar no tubo do queimador e a sair pelas entradas do queimador. Verifique cada entrada para assegurar que sai ar de cada furo.

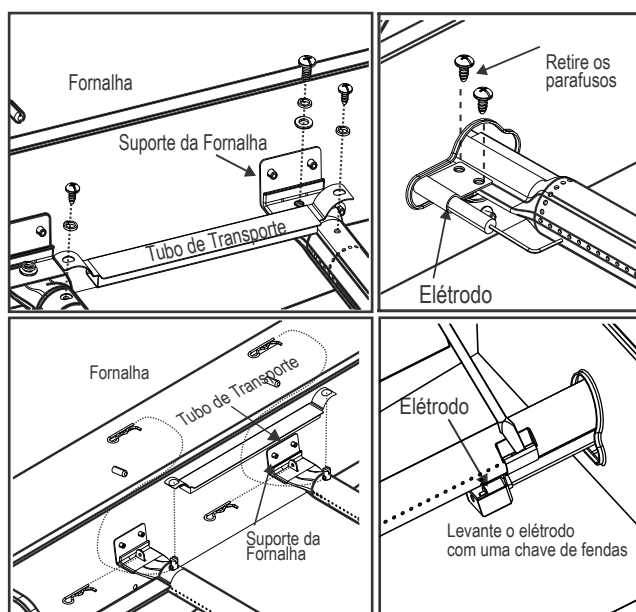
6. Escove toda a superfície exterior do queimador para remover sujidades e resíduos de comida.
7. Limpe todas as entradas bloqueadas com um arame duro, como, por exemplo, um clipe de papel aberto
8. Verifique se existem danos no queimador devido à sua normal utilização e corrosão. Alguns furos podem ter-se alargado. Se encontrar rachas ou buracos grandes, substitua o queimador.

MUITO IMPORTANTE: Os tubos do queimador devem reencaixar nas aberturas das válvulas. Veja a ilustração à direita.

**Encaixe correto
Válvula-Queimador**



9. Fije el electrodo al quemador.
10. Reemplace los quemadores cuidadosamente.
11. Fije los quemadores con soportes a la caja de fuego.
12. Posicione de nuevo los tubos de transferencia y acople los quemadores. Reemplace los difusores de calor y las parillas de cocción.
13. Antes de cocinar nuevamente en la barbacoa, realice una "Prueba de fugas" y una "Comprobación de llama del quemador".



Guardar o Seu Aparelho

- Limpe as grelhas de cozinhar.
 - Guarde-o num sítio seco.
 - Quando a botija de gás estiver ligada ao aparelho, guarde-o no exterior, numa área bem ventilada e fora do alcance das crianças.
 - Cubra o aparelho se o guardar no exterior.
 - Guarde o aparelho no interior SOMENTE se a botija de gás estiver desligada (nela própria e do aparelho), retirada do aparelho e guardada no exterior.
 - Quando retirar o aparelho do sítio onde estava guardado, verifique se há obstruções nos queimadores
- Al sacar el aparato del almacenamiento, revise que no haya obstrucciones en los quemadores.

Limpeza Geral do Aparelho

- Limpe o aparelho com frequência, preferencialmente depois de cada utilização. Se usar um escovilhão de arame para limpar qualquer superfície de cozedura, assegure-se de que não restam cerdas nas superfícies antes de grelhar. Não é recomendado limpar as superfícies de cozedura enquanto o aparelho está quente. O aparelho deve ser limpo pelo menos uma vez por ano.
- Não confunda acumulações de gordura pretas ou castanhas e fumo com pintura. Os interiores de grelhadores a gás não são pintados na fábrica (e jamais devem ser pintados). Aplique uma solução forte de detergente com água, ou use um limpador próprio com uma escova para esfregar nos interiores da tampa e no fundo. Enxague e deixe que sequem completamente ao ar. Não aplique detergentes cáusticos/limpa-fornos nas superfícies pintadas.
- Partes plásticas: Lave com água quente com sabão e seque com um pano.
- Não use citrisol, detergentes abrasivos, desengordurantes ou limpa-grelhadores concentrados nas partes plásticas. Isto poderá resultar em danos ou falhas nas peças.
- Superfícies de porcelana: Devido à sua composição vítrea, a maioria dos resíduos podem ser limpos com uma solução aquosa de bicarbonato de sódio ou um detergente especialmente formulado para isto. Use pó de limpeza não abrasivo para manchas mais difíceis.
- Superfícies pintadas: Lave com detergente suave ou limpador não abrasivo e água quente com sabão. Seque com um pano não abrasivo.
- Superfícies de aço inoxidável: Para manter a aparência de alta qualidade do seu aparelho, no final de cada utilização lave com detergente suave e água quente com sabão, secando depois com um pano macio.
- Superfícies de cozedura: Se utilizar um escovilhão de arame para limpar quaisquer das superfícies de cozedura, assegure-se que não ficam cerdas depositadas nelas antes de grelhar. Não é recomendado limpar as superfícies de cozedura enquanto o aparelho estiver quente.

Aço inoxidável

Existem muitos tipos diferentes de materiais (ligas) que são consideradas aço inoxidável.

Um traço comum a estes diferentes tipos é que eles podem corroer-se (oxidar), dependendo das condições a que estão sujeitos.

Isto aplica-se também ao seu novo grelhador.

Para garantir que o seu grelhador mantém o seu aspeto e funcionalidade por muitos anos, por favor, siga os conselhos abaixo.

- 1) Se o grelhador ficou molhado ou húmido, assegure-se de o secar usando um pano, para prevenir a corrosão da superfície.
- 2) O aço inoxidável pode enferrujar-se em certas condições. Isto pode ser causado por condições ambientais, tais como água salgada ou com cloro, ou por ferramentas de limpeza inapropriadas, tais como arame ou palha-de-aço. Pode também descolorar-se devido ao calor, químicos ou acumulação de gordura.
- 3) Para manter a aparência de alta qualidade do seu aparelho, lave-o com um detergente suave e água com sabão, secando-o com um pano macio depois de cada utilização. Depósitos de gordura cozinhada podem exigir que seja usado um pano de limpeza abrasivo de plástico. Use somente na direção dos veios do acabamento escovado para evitar danos. Não use panos abrasivos nas áreas com gráficos.
- 4) Unte as partes internas do grelhador e das grelhas com óleo de cozinha.

Por favor, tenha em atenção:

Para evitar arranhar a superfície, causando assim uma base para a ferrugem, nunca use palha-de-aço ou produtos semelhantes quando limpar aço inoxidável.

Quando limpar, trabalhe na mesma direção do acabamento escovado do aço inoxidável – ‘acompanhando o veio’.

Limpar com abrasivos pode deixar riscos.

Guardar o grelhador perto da costa, de uma piscina ou de um spa irá causar a corrosão (oxidação) do mesmo.

Cubra o seu barbecue para protege-lo da ferrugem.

DATOS TÉCNICOS
CHAR-BROIL, LLC

Nome do Aparelho	Churrasqueira a Gás/Grelhador a gás			
Caudal Térmico Nominal Total	8.21kW (597 g/h)			7,03kW (512 g/h)
Categoria de Gás	I3+(28-30/37)	I3B/P(30)		I3B/P(50)
Model No.	468402118			468401118
Tipo de Gás	Butano	Propano	Butano, Propano ou mistura deles	Butano, Propano ou mistura deles
Pressão de Gás	28-30 mbar	37 mbar	30 mbar	50 mbar
Tamanho do Injetor (Ø. mm)	Grelhador: 1,03 x 2 pcs		Grelhador: 1,03 x 2 pcs	Grelhador: 0,80 x 2 pcs
	Fogareiro: N/A		Fogareiro: N/A	Fogareiro: N/A
Países de destino	GB, FR, BE, ES, IT, PT, CZ, SK		DK, NO, NL, SE, FI, IS, CZ, IT, SK	AT, DE, CH, LU

Bateria de 1,5 VDC

INSTALLATØR/MONTØR:

Efterlad denne vejledning hos kunden.

KUNDE:

Opbevar denne vejledning til senere brug.

Spørgsmål:

Hvis du har spørgsmål under monteringen eller om brugen af dette apparat, skal du kontakte din lokale forhandler.



 **FARE** 

Hvis du kan lugte gas:

1. Sluk for gassen til apparatet.
2. Sluk eventuelle flammer.
3. Åbn låget.
4. Hvis lugten fortsætter, skal du holde dig væk fra apparatet og øjeblikkeligt ringe til din gasleverandør eller brandvæsenet.

 **ADVARSEL** 



1. Undgå at opbevare eller anvende benzin eller andre brændbare væsker i nærheden af dette eller noget andet apparat.
2. En gasflaske, der ikke er tilsluttet til brug, må ikke opbevares i nærheden af dette eller noget andet apparat.

 **FORSIGTIG** 

- Læs og følg alle sikkerhedsanvisninger, monteringsvejledninger og retningslinjerne for brug og pleje, inden du forsøger at montere og tilberede mad.
- Nogle dele kan indeholde skarpe kanter. Det anbefales at iføre sig beskyttelseshandsker

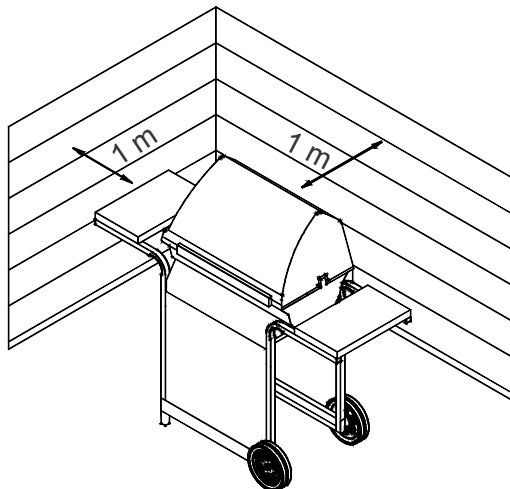
Fedtbrande

- Det er ikke muligt at slukke fedtbrande ved at lukke låget. En grill er velventileret for sikkerhedsmæssige årsager.
- Hæld ikke vand på en fedtbrand, det kan medføre Hvis en vedvarende fedtbrand udvikles, skal du slå drejeknapper og gasflaske fra.
- Hvis apparatet ikke regelmæssigt rengøres, kan der opstå en fedtbrand, der kan beskadige produktet. Vær meget opmærksom under forvarmning eller afbrænding af madrester for at sikre, at en fedtbrand ikke Følg anvisningerne om generel rengøring af apparatet og rengøring af brænderanordningen for at forhindre fedtbrande. Den bedste måde at forhindre fedtbrande er regelmæssig rengøring af apparatet.
- Efterlad ikke grillen uden opsyn under forvarmning eller afbrænding af madrester på HI. Hvis apparatet ikke regelmæssigt rengøres, kan der opstå en fedtbrand, der kan beskadige produktet.

 **ADVARSEL** 

For sikker brug af apparatet og for at undgå
• **KUN TIL UDENDØRS BRUG. MÅ ALDRIG BRUGES INDENDØRS.**
Læs anvisningerne før du bruger apparatet.
Følg altid anvisningerne.

- Flyt ikke apparatet under brug.
- Tilgængelige dele kan være meget varme. Hold små børn væk. Lad ikke børn betjene eller lege i nærheden af apparatet.
- Sluk for gasforsyningen på flasken efter brug.
- Dette apparat skal holdes væk fra brændbare materialer under brug.
- Bloker ikke hullerne i siderne eller på bagsiden af apparatet.
- Tjek brænderflammer regelmæssigt.
- Bloker ikke venturirør på brænderen.
- Brug kun apparatet i velventilerede rum. Må ALDRIG bruges i lukkede rum såsom carport, garage, veranda, overdækket terrasse, eller anden overdækkede struktur.
- Brug ikke kul eller keramiske briketter i et gasapparat.
- **Tildæk IKKE** riste med aluminiumsfolie eller andet materiale. Dette vil blokere brænderventilation og udgøre en potentielt farlig tilstand, der kan resultere i materielskade og/eller personskade.
- **Brug apparatet min. 1 m fra enhver væg eller overflade.**
- Oprethold en sikkerhedsafstand på 3 m til objekter, der kan antændes eller antændelseskilder såsom kontrollamper på vandvarmere



- Forsøg ALDRIG at tænde brænder med låget lukket. af uantændt gas inde i et lukket apparat er farligt.
- Sluk altid for gassen på flasken og framontér regulatoren, før gasflasken flyttes fra den angivne betjeningsposition.
- Betjen aldrig apparatet, hvis gasflasken ikke er på den korrekte angivne position.
- Apparatet må ikke modificeres. Enhver ændring er strengt forbudt. Forseglede dele må ikke manipuleres af brugeren. Du må ikke adskille injektorer.

Råd om sikkerhed

- Før du åbner gasflaskeventilen, skal du tjekke, at regulatoren er tætsluttende.
- Når apparatet ikke er i brug, skal alle knapper og gassen slås fra.
- Brug langskafede grillredskaber og grydelapper for at undgå forbrændinger og stænk. Brug beskyttelseshandsker ved håndtering af varme dele.
- Maksimal belastning for varmeplade (hvis sådan findes) og sidehylde er 4,5 Gryde dia. på minimum 200 mm and maksimumBEMÆRK: Din grill er muligvis ikke udstyret med en varmeplade!
- Fedtskålen (hvis sådan findes) skal indsættes i apparatet og tømmes efter hvert brug. Fjern kke fedtskålen, før apparatet er helt afkølet.
- Vær forsigtig når du åbner låget, da der kan opstå varm damp.
- Vær forsigtig, når børn, ældre, eller kæledyr er i nærheden.
- Hvis du bemærker fedt eller andet varmt materiale, der drypper fra apparatet på ventil, slange eller regulator, skal du slukke for gasforsyningen med det samme. Find årsagen, ret den, derefter rengør og inspicer ventil, slange og regulator, før du fortsætter.
- Udfør en lækagetest.
- Opbevar ikke genstande eller materialer inden i apparatets kabinet, der kan blokere for strømmen af forbrændingsluft på undersiden af enten kontrolpanelet eller brændkammerets skål.
- Framontér IKKE eller skift gasbeholder indenfor en afstand på 3 m fra åben ild eller andre antændelseskilder.

Placering af flaske

Cylinder kan ikke placeres under eller i apparatet. Cylindre er at blive placeret på siden og bagsiden af apparatet. Flasker skal være en maksimal diameter på 345mm og maksimal højde på 600 mm. Cylindre placeret på jorden må ikke placeres under den varme plade.

Krav for regulator

En regulator skal anvendes med dette apparat. Brug kun gasregulator der medfølger grillen. Hvis en regulator ikke medfølger, skal du kun bruge en regulator, der er certificeret i henhold til EN16129 (strømningshastighed maks. 1,5 kg/t) og godkendt til dit land og gas, der angives i tekniske data.


Krav for slange

Brug kun godkendte slanger, der er certificeret til passende DA standard og ikke overstiger en længde på 1,5 m. Slangens længde må ikke overstige 1,2 m i Finland.

Før hver anvendelse skal du tjekke, om slangerne er beskadigede eller slidte. Sørg for, at der ikke er knæk på slangen. Sørg for at slangen ikke rører nogen varme overflader under tilslutning. Udskift beskadigede slanger, før du bruger apparatet. Udskift slangen i henhold til nationale krav.

Antænding



- **Læn ikke over grillen under antænding.**

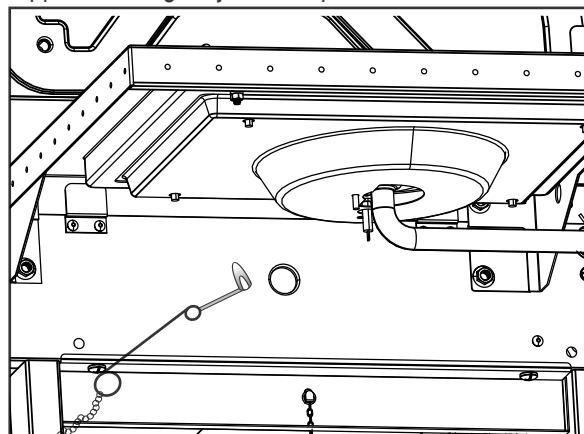
1. Slå gasbrænderens kontrolventiler O (fra).
2. Åbn låg under antænding eller genantænding.
3. Slå gassen TIL på LP-flaskan.
4. For at antænde skal du skubbe og dreje tændingsbrænderknapp til  HIGH. Omgående tryk og hold ELECTRONIC IGNITOR-knappen nede, indtil brænderen tændes.
6. Hvis antænding IKKE sker inden 5 sekunder, skal du slå brænderknapperne fra O , vente 5 minutter og gentage antændelsesproceduren.
7. For at antænde resterende brændere, skubbe og dreje knappen til den høje stilling startende med brænderne tættest på tændbrænderen først.



Tændstiksantænding

- **Læn ikke over grillen under antænding.**

1. Slå gasbrænderens kontrolventiler O (fra).
2. Åbn låg under antænding eller genantænding.
3. Slå gassen TIL på LP-flaskan.
4. Placér tændstik i tændstiksholderen (hængende fra grillens sidepanel). Stryg tændstikken, derefter antænd brænderen ved at placere tændstikken gennem antændingshullet på siden af grillen. skub og drej brænderhåndtaget til positionen  HIGH. Vær sikker på, at brænderen antændes og forbliver antændt.
5. Antænd tilstødende brændere fortløbende ved at trykke knapperne ind og dreje dem til positionen  HIGH.



Lækagetestning af ventiler, slange og regulator

Lækagetest skal ske før første ibrugtagning mindst en gang om året, og hver gang gasflasken udskiftes eller framonteres.

1. Drej alle apparatets knapper til 0.
2. Vær sikker på, at regulatoren tilsluttes tæt på gasflasken.
3. Tænd for gassen. Hvis du hører en susende lyd, skal du slukke for gassen. Der findes en større lækage ved forbindelsen. Skaden skal udbedres, før du fortsætter.
4. Børst en sæbeopløsning (blanding af halvt sæbe og halvt vand)
5. Hvis der opstår bobler, findes der en lækage. på flasken og tjek efter om, forbindelserne er tætsluttende. lækagen ikke kan stoppes, skal du ikke prøve at reparere. Ring efter reservedele.
6. Sluk altid for gassen på flasken efter udførelse af lækagetest.



FORSIGTIG



EDDERKOPPEVARSEL!

EDDERKOPPER OG SPINDELVÆV INDE I



Hvis din grill er svær at antænde, eller flammen er svag, skal du kontrollere og rengøre venturierne og brændere.

Edderkopper eller små insekter er kendte for at skabe "flashback" problemer ved at opbygge reder og lægge æg i grillens venturi eller brændere, hvilket blokerer gasstrømmen. Den tilbageholdte gas kan antændes bag kontrolpanelet. Denne flashback kan skade din grill og medføre ulykker. For at forebygge flashbacks og sikre god funktion, bør brænderen og venturirørsamlingen tages af og renses, når grillen ikke er blevet brugt i længere tid.

HVIS APPARATET IKKE KAN ANTÆNDES

- Vær sikker på, at der er tændt for gassen på flasken.
- Vær sikker på, at der er gas i flasken.
- Kommer der lyde af gnister fra tændersystemet?
Hvis ja, se om der er gnister ved brænderen.
Hvis der ikke er gnister, skal du tjekke efter, om der er beskadigede eller løse ledninger.
- Hvis ledningerne er OK, skal du tjekke efter for revnede eller ødelagte elektroder, udskift hvis der er behov for det.
- Hvis en ledning eller elektroder er fyldt med madrester, skal du, hvis der er behov for det, rengøre elektrodespidsen med en klud dyppet i sprit.
- Udskift ledninger efter behov.
- Hvis der ikke er nogen lyd, skal du tjekke batteriet.
- Sørg for at batteriet er installeret korrekt.
- Tjek efter for løse ledningsforbindelser på modul og omskifter.
- Hvis tændersystemet stadig ikke virker, skal du bruge tændstiksantænding.

Sådan rengøres brænderanordningen

Følg disse anvisninger for rengøring og/eller udskiftning af dele af brændersamlingen, eller hvis du har problemer med at antænde grillen.

1. **Sluk for gassen på knapperne og LP-flasken.**
2. Fjern tilberedningsriste og varmetelte.
3. Fjern overføringsrør og komponenter, der holder brænderne fast.
4. Afmonter elektrode fra brænderen.

BEMÆRK: Fjernelses-/adskillelsesmetode afhænger af brænderkonfigurationen. Se forskellige konfigurationer i nedenstående illustrationer.

5. Løft forsigtigt hver brænder op og væk fra ventilåbninger. Vi anbefaler tre måder at rengøre brænderrørerne. Brug den metode, du finder lettest at anvende.

A. Bøj en stiv wire (en let bøjle fungerer godt) Kør kroge igennem hvert brænderrør flere gange.



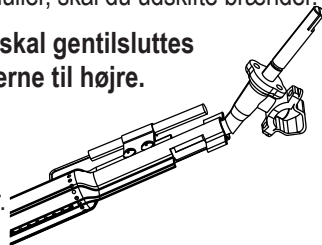
B. Brug en smal flaskebørste med et fleksibelt håndtag (brug ikke en stålbørste). Kør børsten igennem hvert brænderrør flere gange.

C. Anvend øjenbeskyttelse: Brug en luftslange til at tvinge luft ind i brænderrøret og ud af brænderudgangene. Tjek hver udgang for at sikre, at der kommer luft ud af hvert hul.

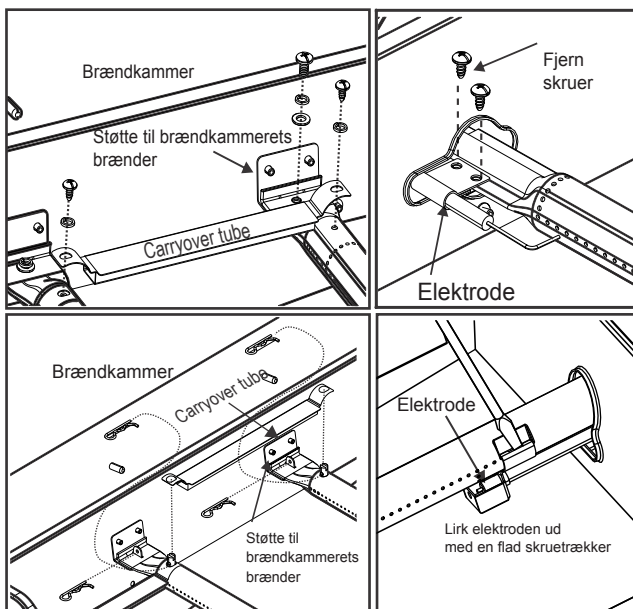
6. Brug en stålbørste på hele yderside af brænderen for at fjerne madrester og snavs.
7. Rengør alle blokerede udgange med en stiv wire såsom en udfoldet papirclips.
8. Tjek brænderen efter for skader som følge af almindelig slitage og nedbrydning, nogle huller kan blive udvidede. Hvis der findes store revner eller huller, skal du udskifte brænder.

MEGET VIGTIGT: Brænderrør skal gentilsluttes ventilåbninger. Se illustrationerne til højre.

Korriger brænderens tilslutning til ventil



9. Fastgør elektrode til brænder.
10. Udskift forsigtigt brændere.
11. Montér brændere på brændkammerets beslag.
12. Flyt overføringsrørene og tilslut dem til brændere. Udskift varmetelte og grillriste.
13. Før du griller igen, skal du udføre en "lækagetest" og "Kontrol af brænderflamme"



Opbevaring af dit apparat

- Rengør grillriste.
- Opbevares på et tørt sted.
- Når gasflasken tilsluttes apparatet, skal det opbevares udendørs i et velventileret område og uden for børns rækkevidde.
- Tildæk apparatet, hvis det opbevares udendørs.
- Opbevar KUN apparatet indendørs, hvis der er slukket for gasflasken, og den er framonteret og fjernet fra apparatet og opbevares udendørs.
- Når du henter apparatet fra opbevaringen, skal du tjekke efter for brænderblokeringer.

Generel rengøring af apparatet

- Rengør apparatet ofte, helst efter hvert brug. Hvis en børste bruges til at rengøre apparatets tilberedningsoverflader, skal du sørge for, at der ikke ligger børstehår på tilberedningsoverflader, før du starter med at grille. Det anbefales ikke at rengøre en tilberedningsoverflade, mens apparatet er varmt. Apparatet skal rengøres mindst en gang om året.
- Forveksl ikke brune eller sorte ophobninger af fedt og røg. Gasgrillens interiør males ikke på fabrikken (og bør aldrig være malet). Anvend en stærk opløsning af rengøringsmiddel og vand eller brug et rengøringsmiddel til apparater med skurebørste på indersiden af apparatets låg og bund.
- Skyl og lad det lufttørre helt. Anvend ikke kaustisk apparat-/ovnrens på malede overflader.
- Plastdele: Vask med varmt sæbevand og tør efter.
- Brug ikke citrasolv, slibende rengøringsmidler, affedtningmidler eller koncentreret rengøringsmiddel til apparater på plastdele. Det kan resultere i beskadigelse og svigt af de dele.
- Porcelænoverflader: På grund af den glaslignende sammensætning, kan de fleste rester tørres væk med bagepulver/vandopløsning eller specielt fremstillede rengøringsmidler. Brug ikke-slibende skurepulver til svære pletter.
- Malede overflader: Vask med milde rengøringsmidler eller ikke-slibende rengøringsmidler og varmt sæbevand. Tør efter med en bløddikke-slibende klud.
- Overflader i rustfrit stål: For at opretholde apparatets eksklusive udseende, skal du vaske med milde rengøringsmidler og varmt sæbevand og tørre efter med en blød klud efter hvert brug. For indbrændte fedt aflejringer kan det være nødvendigt at anvende en slibende. Må kun bruges i retning af den børstede finish for at undgå skader. Brug ikke slibeblokke på områder med grafik.
- Tilberedningsoverflader: Hvis en børste bruges til at rengøre apparatets tilberedningsoverflader, skal du sørge for, at der ikke ligger børstehår på tilberedningsoverflader, før du starter med at grille. Det anbefales ikke at rengøre en tilberedningsoverflade, mens apparatet er varmt.

Rustfrit stål

Der er mange forskellige typer (legeringer) materialer, der betragtes som rustfrit stål.

Et fælles træk ved disse forskellige typer er, at de kan korrodere (oxidere), afhængigt af de betingelser, de udsættes for.

Dette gælder også for din nye grill.

For at sikre at din grill bevarer sit udseende og funktionalitet i mange år, skal du følge nedenstående råd.

- 1) Hvis grillen er blevet våd eller fugtig, så sørg for at tørre den af med en klud for at forhindre overfladekorrosion.
- 2) Rustfrit stål kan ruste under visse betingelser. Dette kan være forårsaget af miljømæssige forhold, såsom klor eller saltvand eller forkert rengøringsværktøj som ståltråd eller ståluld. Den kan også misfarves på grund af varme, kemikalier eller fedtopbygning.
- 3) For at bevare dit udstyrs højkvalitetsudseende skal du vaske med mildt vaskemiddel og varmt sæbevand og tørre efter med en blød klud efter hver gang. Fastbrændte fedtaflejringer kan nødvendiggøre brug af en slibende plast rengøringsvamp. Brug den kun i samme retning som den børstede finish for at undgå skader. Brug ikke skuresvamp på områder med grafik.
- 4) Smør de indre dele af grillen og ristene med madolie.

Bemærk venligst:

For at undgå at ridse overfladen og derved skabe grundlag for rust så brug aldrig ståluld eller lignende ved rengøring af rustfrit stål.

Ved rengøring bør du arbejde i samme retning, som det rustfrie stål blev børstet i "langs årener".

Rengøring med slibemidler kan efterlade ridser.

Opbevaring af grill i nærheden af ??en kyst, svømmebassin eller spa vil få grillen til at korrodere (oxidere).

Dæk din grill til for bedst rustbeskyttelse.

TEKNISKE DATA
CHAR-BROIL, LLC

Apparatnavn	Gasgrill			
Samlet nominel varmetilførsel	8.21kW (597 g/h)		7,03kW (512 g/h)	
Gaskategori	I3+(28-30/37)	I3B/P(30)	I3B/P(50)	
Modelnr.	468402118		468401118	
Gastype	Butan	Propan	Butan, propan eller blandinger	Butan, propan eller blandinger
Gastryk	28-30 mbar	37 mbar	30 mbar	50 mbar
Injektorstørrelse (dia. mm)	Grill: 1,03 x 2 stk.		Grill: 1,03 x 2 stk.	
	Varmeplade: N/A		Varmeplade: N/A	
Destinationslande	GB, FR, BE, ES, IT, PT, CZ, SK	DK, NO, NL, SE, FI, IS, CZ, IT, SK	AT, DE, CH, LU	

1,5 VDC batteri

INSTALLATØR/MONTØR:

Legg igjen denne bruksanvisningen hos brukeren.

BRUKER:

Behold denne bruksanvisningen for fremtidig referanse.

Spørsmål:

Ta kontakt med forhandleren hvis du har spørsmål mens du setter sammen eller bruker apparatet.

FARLIG

Dersom du lukter gass:

1. Steng av strømmen til apparatet.
2. Slukk flammene.
3. Åpne dekselet.
4. Dersom det fortsatt lukter gass, må du holde deg på avstand fra apparatet og ringe strømleverandøren din eller brannvesenet.

ADVARSEL

1. Ikke oppbevar bensin eller andre brennbare væsker i nærheten av dette eller andre apparater.
2. En gassflaske som ikke er tilkoblet må ikke lagres i nærheten av dette eller andre apparater.

FORSIKTIG

- Les og følg sikkerhetserklæringene, monteringsinstruksjonene og bruk- og vedlikeholdsanvisningene før du monterer apparatet eller begynner å lage mat.
- Noen deler kan ha skarpe kanter. Vi anbefaler å bruke vernehansker.

Fettbrann

- Det er ikke mulig å slukke fettbranner ved å lukke lokket. Grillen er godt ventilert av sikkerhetsmessige årsaker.
- Du må ikke helle vann på fettbrann, da dette kan føre til personskader. Dersom en fettbrann utarter seg, må du stenge av knappene og skru av gassflasken.
- Hvis apparatet ikke rengjøres regelmessig, kan det oppstå fettbrann som potensielt kan skade produktet. Vær oppmerksom når du forvarmer eller brenner vekk matrester, for å forsikre deg om at det ikke oppstår fettbrann. Følg instruksjonene for generell rengjøring og rengjøring av brenneren for å unngå fettbrann. Den beste måten å unngå fettbrann på, er ved å regelmessig rengjøre apparatet.
- Du må ikke la grillen stå ubevoktet under forvarming eller mens du brenner vekk matrester med HI-innstillingen. Dersom grillen ikke har blitt regelmessig rengjort, kan det oppstå en fettbrann som kan ødelegge produktet.

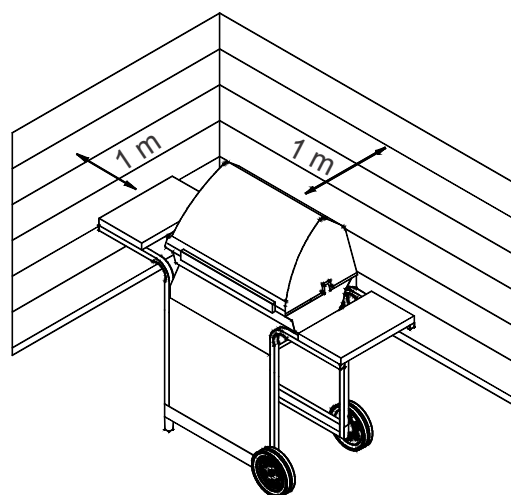
ADVARSEL

For sikker bruk av apparatet og for å unngå seriøse skader:

- **KUN FOR UTENDØRS BRUK. MÅ ALDRI BRUKES INNENDØRS.**

Les instruksjonsheftet før du bruker apparatet. Disse instruksjonene skal alltid følges.

- Du må ikke flytte apparatet mens det er i bruk.
- De tilgjengelige delene kan bli veldig varme. Hold yngre barn på avstand. Ikke la barn bruke eller leke i nærheten av apparatet.
- Slå av gassflasken etter bruk.
- Dette apparatet må holdes unna brennbare materialer når det er i bruk.
- Hullene på siden eller bak på apparatet må ikke dekkes til.
- Sjekk flammene regelmessig.
- Venturiåpningene på brenneren må ikke dekkes til.
- Grillen må kun brukes i et godt ventilert område. Må ALDRI brukes i avgrensede områder som garasjer, vestibyler, lukkede gårder eller under noen form for tildekket konstruksjon.
- Du kan ikke bruke trekull eller keramiske fyringsbriketter i et apparat som bruker gass.
- **IKKE DEKK TIL** ristene med aluminiumsfolie eller andre materialer. Dette fører til blokkering av ventilasjonen, og kan skape farlige situasjoner som kan føre til skade på eiendom og/eller personskade.
- Bruk apparatet minst én meter unna vegger eller andre overflater.
- Oppretthold minst tre meter til andre objekter som kan ta fyr, eller antenningskilder som tennflammer på varmtvannsberedere, påslått elektrisk utstyr osv.



- Forsøk ALDRI å slå på brenneren mens lokket er på. En oppsamling av ikke-påtent gass inne i apparatet er farlig.
- Du må alltid huske å skru av gassflasken og koble fra regulatoren før du flytter gassflasken fra den spesifiserte bruksposisjonen.
- Apparatet må aldri brukes mens gassflasken er i feil stilling.
- Du må ikke endre på apparatet. Alle former for endringer er strengt forbudt. Forseglete deler må ikke manipuleres av brukeren. Du må ikke demontere injektoren.

Sikkerhetstips

- Sjekk at regulatoren er tett før du åpner gassflaske-ventilen.
- Når apparatet ikke er i bruk, må alle kontrollknapper og gass slås helt av.
- Bruk grillutstyr med lange håndtak og grytekluter, slik at du unngår sprut og brannskår. Bruk vernehansker når du behandler varme deler.
- Maksimal total vekt for kokeplaten (hvis utstyrt) og sidehyllen er 4,5 kg. Kokekarets må ha en diameter på minimum 200 mm og maksimum 260 mm.
MERK: Grillen din er kanskje IKKE utstyrt med en kokeplate!
- Smørekoppen (hvis utstyrt) må bli satt inn i apparatet og tømt etter hvert bruk. Du må ikke fjerne smørekoppen før apparatet har blitt helt nedkjølt.
- Vær svært forsiktig når du åpner lokket, da varm damp kan sige ut.
- Vær svært forsiktig når det er barn, eldre eller dyr i nærheten.
- Hvis du ser at fett eller andre varme væsker fra apparatet drypper på ventilen, slangen eller regulatoren, må du slå av gassen umiddelbart. Finn ut hvorfor det drypper, fiks det og rengjør og inspiser ventilen, slangen og regulatoren før du fortsetter. Utfør en lekkasjetest.
- Du må ikke lagre objekter eller andre ting inni grillen som kan blokkere strømmen av forbrenningsluft til undersiden av enten kontrollpanelet eller askeskuffen i brennkammeret.
- Du må IKKE koble fra eller bytte gassflaske nærmere enn tre meter unna den åpne flammen eller andre tenningskilder.

Plassering av gassflasken

Sylinderen kan ikke plasseres under eller i apparatet. Ballonger er å bli plassert på siden og baksiden av apparatet. Ballonger skal være en maksimal diameter på 345mm og maksimal høyde på 600mm. Sylindere plassert på bakken skal ikke plasseres under den varme platen.

Krav for regulatorer

En regulator må brukes sammen med dette apparatet. Bruk kun gassregulatorer som kom med grillen. Dersom det ikke følger med en regulator, kan du bruke en regulator som er sertifisert i henhold til EN16129 (Maks strømningshastighet på 1,5 kg per time) og godkjent for landet ditt, sammen med gassen som er spesifisert i de tekniske dataene.

Krav til slangen

Bruk kun godkjente slanger som er sertifiserte etter passende EN-standarder og ikke er lengre enn 1,5 meter. For Finland må ikke lengden overgå 1,2 meter.

Før hvert bruk må du sjekke slangen for brudd eller slitasje. Pass på at slangen ikke er bøyd. Pass på at slangen ikke berører varme overflater mens den er koblet til. Skift ut ødelagte slanger før du tar i bruk apparatet. Skift ut slanger etter hva nasjonale krav tilsier.

Antenningslys

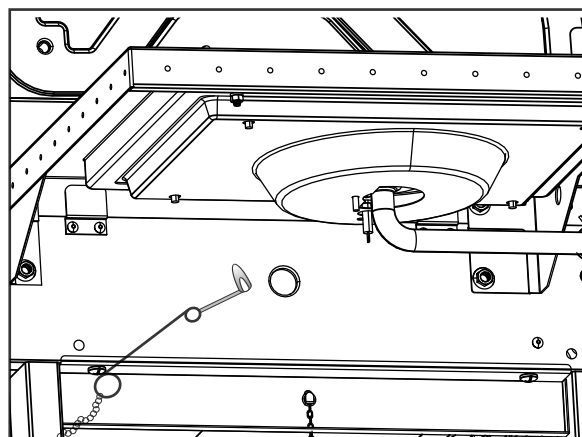
- **Ikke len deg over grillen mens du tenner den.**
 1. Skru gassbrennerens kontrollventil til O (av).
 2. Åpne lokket under antenning eller når du antenner på nytt.
 3. Skru PÅ gassen på LP-gassflasken.
 4. Dytt inn og skru brennerknotten til O HIGH for å tenne. Trykk inn og holde inne og holde ELECTRONIC IGNITOR-knappen umiddelbart, til brenneren slår seg på.
 5. Dersom tenningen IKKE slår seg på innen fem sekunder, må du slå av O-brennerkontrollene, vente fem minutter og gjenta antenningsprosedyren.
 6. Å tenne resterende brennere, dytte og slå bryteren til HØY stilling starter med brennerne nærmest tenningsbrenneren første.



Tenning av fyrstikker

Du må ikke lene deg over grillen mens du tenner den.

1. Skru gassbrennerens kontrollventil til O (av).
2. Åpne lokket under antenning eller når du antenner på nytt.
3. Skru PÅ gassen på LP-gassflasken.
4. Putt fyrstikken inn i fyrstikkholderen (som henger på sidepanelet på grillen). Tenn fyrstikken, deretter tenner du på brenneren ved å plassere fyrstikken gjennom fyrstikkhullet på siden av grillen. Trykk inn og dreier brennerknotten til HIGH umiddelbart. Pass på at brennerlyset er tent og forblir på.
5. Tenn brennerne ved siden av i sekvens ved å trykke inn knappene og dreie dem til i HIGH.



Lekkasjetest av ventil, slange og regulator

Du må teste for lekkasje før første bruk, og deretter minst en gang i året, samt hver gang gassflasken blir skiftet ut eller koblet fra.

1. Drei alle kontrollknottene på apparatet til ○.
2. Pass på at regulatoren er godt festet til gassflasken.
3. Slå på gassen. Hvis du hører en raslende lyd, må du slå av gassen med en gang. Det er en stor lekkasje ved koblingen. Fiks den før du fortsetter.
4. Børst såpeopløsningen (blanding av såpe og vann) inn i slangekoblingene.
5. Dersom det oppstår bobler betyr det at det er en lekkasje. Skru av gassen på gassflasken umiddelbart og sjekk at koblingene er godt festet. Dersom lekkasjen ikke kan stoppes, må du ikke forsøke å reparere den selv. Ring for å få reservedeler.
6. Du må alltid slå av gassen fra gassflasken etter å ha utført en lekkasjetest.



FORSIKTIG



EDDERKOPPVARSEL!

EDDERKOPPER OG EDDERKOPPSPINN INNI BRENNEREN



Dersom grillen blir vanskeligere å tenne, eller flammen er svak, kan du sjekke og rense venturirørene og brenneren.

Edderkopper eller små insekter er kjent for å skape problemer ved at flammene slås tilbake, da de bygger reder og legger egg i grillens venturirør eller brenner som hindrer gassflyten. Den overflødig gassen kan selvantenne bak kontrollpanelet. Denne tilbakekastingen av flammer kan skade grillen og forårsake personskader. For å forhindre tilbakekastning av flammer og sørge for god ytelse, bør brenneren og venturirørene fjernes og vaskes hver gang grillen ikke har vært i bruk på en stund.

DERSOM APPARATET IKKE SLÅR SEG PÅ

- Pass på at gassen er slått på, på gassflasken.
- Pass på at det er gass på gassflasken.
- Kommer det gnistrellyder fra tenneren?
 - Hvis det gjør det, må du sjekke om det gnistrer ved brenneren.
 - Hvis ikke, må du sjekke ledningene er ødelagte eller løse.
- Dersom ledningene var i orden, kan du sjekke om elektrodene er sprukne eller ødelagte, og om nødvendig bytte dem.
- Dersom ledninger eller elektroder er dekket av matrester, rengjør du elektrodespissen med alkoholserviett (om nødvendig).
- Ledningene kan byttes ved behov.
- Sjekk batteriet hvis det ikke kommer noen lyd.
- Pass på at batteriet er riktig installert.
- Sjekk etter løse ledninger på enheten og bryteren.
- Bruk en fyrstikk hvis tenneren fortsatt ikke fungerer.

Rengjøring av brennerenheten

Følg disse anvisningene for å rengjøre og/eller bytte deler av brennerenheten, eller hvis du ikke får tent på grillen.

1. **Slå av gassen ved kontrollknottene og LP-gasstanken.**
2. Fjern stekerister og varmetelt.
3. Fjern overføringsrør og deler brenneren er festet med.
4. Koble elektroden fra brenneren.

MERK: Metoden for å fjerne / koble fra avhenger av brennerens innstillinger. Se de ulike konfigurasjonene i illustrasjonene nedenfor.

5. Løft hver enkelt brenner forsiktig opp og vekk fra ventilåpningene. Vi foreslår tre måter å rengjøre brennerrørene på. Bruk den som er enklest for deg.

A. Bøy en stiv metalltråd (en lett kleshenger vil fungere utmerket) til en liten krok. Kjør kroken gjennom hver brennerrør flere ganger.

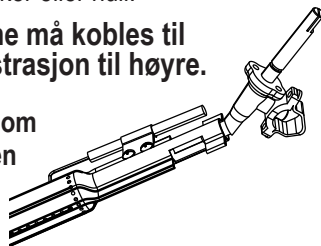
B. Bruk en smal flaskebørste med fleksibelt håndtak (ikke bruk en messingstrådbørste). Kjør børsten gjennom hver brennerrør flere ganger.

C. Bruk vernebriller: Bruk en luftslange for å tvinge luft inn i brennerrøret og ut av brenneråpningene. Sjekk ved hver dør at det kommer ut luft fra alle hullene.

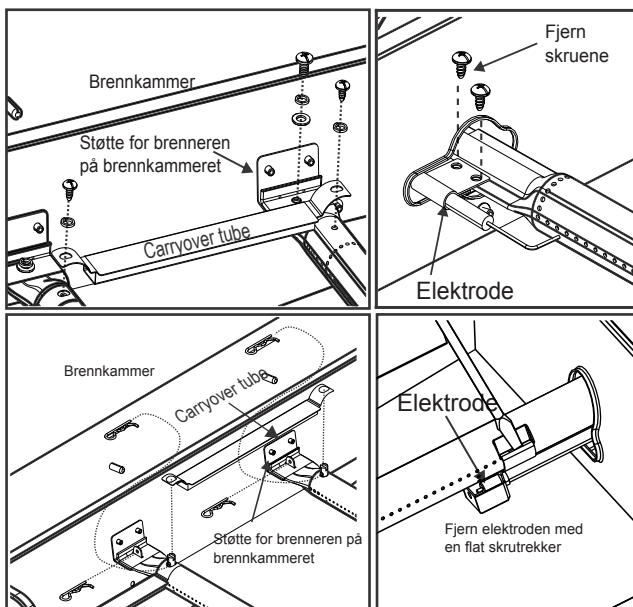
6. Bruk en stålbørste på hele utsiden av brenneren for å fjerne matrester og smuss.
7. Rens alle blokkerte dører med en stiv ståltråd, som for eksempel en åpen binders.
8. Sjekk brenneren for skade fra naturlig slitasje og rustangrep. Noen hull kan ha blitt utvidet. Brenneren må byttes hvis den har store sprekker eller hull.

VELDIG VIKTIG: Brennerrørene må kobles til ventilåpningene igjen. Se illustrasjon til høyre.

Riktig tilkobling mellom brenneren og ventilen



9. Fest elektroden til brenneren.
10. Skift ut brennerne forsiktig.
11. Fest brennerne til festene på brennkammeret.
12. Endre stillingen til overføringsrørene og fest dem til brenneren. Skift ut varmeteltene og grillristene.
13. Før du lager mat igjen på grillen, må du utføre en «lekkasjetest» og «Kontroll av brennerflammen».



Oppbevaring av apparatet

- Rengjør grillristene.
- Oppbevar dem på et tørt sted.
- Når gassflasken er koblet til apparatet, må den oppbevares utendørs i et område med god ventilasjon, og utenfor rekkevidde for barn.
- Dekk til apparatet hvis det skal oppbevares utendørs.
- Oppbevar apparatet innendørs KUN dersom gassflasken er skrudd av og frakoblet, fjernet fra apparatet og oppbevares utendørs.
- Sjekk at ingenting blokkerer brenneren når du tar frem apparatet igjen etter lagring.

Generell rengjøring av apparatet

- Rengjør apparatet ofte, ideelt sett hver gang det har vært i bruk. Hvis en grisebustbørste brukes til å rengjøre noen av apparatets matlagingsoverflater, må du passe på at ingen buster henger igjen før du griller. Det er ikke anbefalt å rengjøre matlagingsoverflater mens apparatet fortsatt er varmt. Apparatet burde rengjøres minst en gang i året.
- Pass på at du ikke tror at svarte eller brune oppsamlinger av fett og røyk er maling. Innsiden av gassgriller males ikke på fabrikken (og bør heller ikke males). Påfør et sterkt vaskemiddel og vann, eller bruk apparatens med skurebørste på innsiden av lokket og bunnen.
- Skyll og la den lufttørke. Ikke bruk etsende apparat-/ovnrens på malte overflater.
- Plastdeler: Vask med såpevann og tørk med en klut.
- Ikke bruk citrisol, skuremiddel, fettfjernere eller konsentrert apparatrens på plastdelene. Hvis dette ikke følges, kan delene feilfungeres.
- Porselenoverflater: Den glassaktige sammensetningen gjør at matrester kan tørkes bort med en oppløsning av bakepulver/vann eller et spesiallaget rensmiddel. Bruk et ikke-slipende skrubbepulver for vanskelige flekker.
- Malte overflater: Vask med et mildt eller ikke-slipende rengjøringsmiddel og varmt såpevann. Tørk av med en myk og ikke-slipende klut.
- Overflater av rustfritt stål: Ivareta apparatets kvalitetsutseende ved å vaske med et mildt rengjøringsmiddel og varmt såpevann og tørke med en myk klut etter hvert bruk. Det er mulig du må bruke en slipende rengjøringspute av plast for å bli kvitt innbakt fett. Børst kun i samme retning som overflaten for å unngå skade. Ikke bruk skrubbe på overflater med grafikk.
- Matlagingsoverflater: Hvis en grisebustbørste brukes til å rengjøre noen av apparatets matlagingsoverflater, må du passe på at ingen buster henger igjen før du griller. Det anbefales ikke å rengjøre matlagingsoverflaten mens apparatet fortsatt er varmt.

Rustfritt stål

Det finnes mange ulike typer (legeringer) materialer som regnes som rustfritt stål.

Et fellestrekk for disse ulike typene er at de kan korrodere (oksidere), avhengig av hva slags forhold de utsettes for.

Dette gjelder også for den nye grillen din.

Følg rådene nedenfor for å sikre at grillen vil se bra ut og fungere i mange år fremover.

- 1) Hvis grillen har blitt våt eller fuktig, må du tørke av den med en klut for å hindre at overflaten ruster.
- 2) Rustfritt stål kan ruste under visse forhold. Dette kan være forårsaket av miljøforhold, for eksempel klor og saltvann, eller av ueqnet rengjøringsutstyr som ståltråd eller stålull. Den kan også bli misfarget av varme, kjemikalier eller opphopning av fett.
- 3) Ivareta apparatets kvalitetsutseende ved å vaske med et mildt rengjøringsmiddel og varmt såpevann og tørke med en myk klut etter hvert bruk. Det er mulig du må bruke en slipende rengjøringspute av plast for å bli kvitt innbakt fett. Børst kun i samme retning som overflaten for å unngå skade. Ikke bruk skrubb på overflater med grafikk.
- 4) Smør de indre delene av grillen og ristene med matolje.

Merk:

For å unngå å lage riper på overflaten, noe som vil gi grobunn for rust, må du aldri bruke stålull eller lignende når du rengjør rustfritt stål.

Rengjør i samme retning som det rustfrie stålet ble børstet i – dvs. «med teksturen». Rengjøring med slipemidler kan etterlate riper.

Å oppbevare grillen i nærheten av havet, svømmebassenget eller en spa vil føre til at grillen ruster (oksidere).

Dekk til grillen for å beskytte den mot rust.

TEKNISKE DATA FOR CHAR-BROIL, LLC

Apparatets navn	Gassgrill			
Total nominell varmetilførsel	8.21kW (597 g/h)			7,03kW (512 g/h)
Gasskategori	I3+(28-30/37)	I3B/P(30)	I3B/P(50)	
Modellnr.	468402118			468401118
Gasstype	Butan	Propan	Butan, propan eller en blanding	Butan, propan eller en blanding
Gasstrykk	28-30 mbar	37 mbar	30 mbar	50 mbar
Injektorens størrelse (dia. mm)	Grill: 1,03 x 2 stk.		Grill: 1,03 x 2 stk.	Grill: 0,80 x 2 stk.
	Kokeplate: I/T		Kokeplate: I/T	Kokeplate: I/T
Destinasjonsland	GB, FR, BE, ES, IT, PT, CZ, SK	DK, NO, NL, SE, FI, IS, CZ, IT, SK	AT, DE, CH, LU	

1,5 VDC batteri

SUBJEKT VYKONÁVAJÚCI INŠTALÁCIU/ MONTÁŽ:

Odovzdajte zákazníkovi užívateľskú príručku.

ZAKAZNÍK:

Uschovajte tento návod pre budúce použitie.

Otázky:

Ak máte otázky týkajúce sa montáže alebo použitia zariadenia, kontaktujte svojho miestneho predajcu

NEBEZPEČENSTVO

Ak zacítite plyn:

1. Vypnite prívod plynu do zariadenia.
2. Uhasťte otvorený oheň.
3. Otvorte poklop.
4. Ak zápach neprestáva, odstúpte od zariadenia a ihneď zavolajte dodávateľa plynu alebo hasičov.

VAROVANIA

1. Neskladujte ani nepoužívajte benzín ani iné horľavé tekutiny v blízkosti tohto alebo iného zariadenia.
2. Neskladujte plynovú fľašu, ktorá nie je pripojená ku grilu, v blízkosti tohto alebo iného zariadenia.

UPOZORNENIE

- Predtým ako začnete s montážou a grilovaním si prečítajte a dodržiavajte bezpečnostné upozornenia a pokyny na montáž, používanie a starostlivosť.
- Niektoré časti majú ostré hrany. Odporúčame používať ochranné rukavice.

Horenie mastných zvyškov

- Zatvorením poklopu nie je možné uhasiť horenie mastných zvyškov. Grily majú z bezpečnostných dôvodov dobré odvetrávanie.
- Na uhasenie horenia mastných zvyškov nepoužívajte vodu, môže dôjsť k zraneniu. Ak horenie neprestáva, vypnite ovládacie tlačidlá a odstavte prívod plynu z plynovej fľaše.
- Zanedbaním pravidelného čistenia zariadenia môže dôjsť k horeniu mastných zvyškov, čo môže spôsobiť poškodenie výrobku. Pri predhrievaní alebo vypaľovaní zvyškov jedla dávajte pozor a zabezpečte, aby nedošlo k požiaru. Predchádzajte takýmto požiarom tak, že budete dodržiavať všeobecné pokyny na čistenie zariadenia a častí horáku. Najlepším spôsobom ako predchádzať takýmto požiarom je pravidelné čistenie zariadenia.
- Pri predhrievaní alebo vypaľovaní zvyškov jedla na stupni HI nenechávajte gril bez dozoru. Zanedbaním pravidelného čistenia zariadenia môže dôjsť k horeniu mastných zvyškov, čo môže spôsobiť poškodenie výrobku.

VAROVANIA

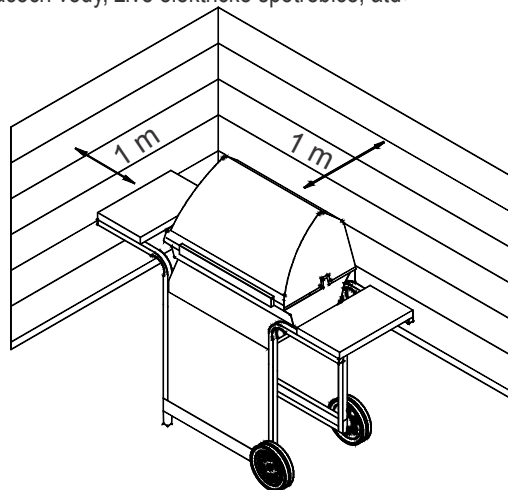
Bezpečné používanie zariadenia a predchádzanie vážnych zranení.

- ZARIADENIE JE URČENÉ IBA NA VONKAJŠIE POUŽITIE. NIKDY NEPOUŽÍVAJTE VNÚTRI.

Pred použitím zariadenia si prečítajte pokyny.

Tieto pokyny vždy dodržiavajte.

- Počas prevádzky zariadenie nikdy nepremiestňujte.
- Prístupné časti môžu byť veľmi horúce. Malé deti udržiavajte v bezpečnej vzdialenosti. Nedovoľte im, aby sa hrali v blízkosti zariadenia.
- Po použití vypnite prívod plynu na plynovej fľaši.
- Zariadenie udržiavajte v bezpečnej vzdialenosti od horľavých materiálov.
- Neupchávajte otvory na bokoch a v zadnej časti zariadenia
- Pravidelne kontrolujte plameň horáku.
- Na horáku neupchávajte otvory Venturiho trubice.
- Zariadenie používajte na dobre vetraných miestach. NIKDY nepoužívajte v uzavretých priestoroch, napr. pod prístreškom na autá, v garáži, verande, krytej terase alebo pod inou strešnou konštrukciou.
- Plynové zariadenie nie je určené na použitie s dreveným uhlím alebo keramickými briketami.
- **NEPOKRÝVAJTE** rošt hliníkovou fóliou alebo iným materiálom. Môže to spôsobiť zablokovanie odvetrávania horáku, tým vytvoriť potenciálne nebezpečnú situáciu, ktorá môže viesť k poškodeniu majetku a/alebo zraneniu.
- Zariadenie používajte najmenej 1 meter od steny alebo iného povrchu.
- Zariadenie udržiavajte 3 metre od horľavých predmetov alebo zdrojov vznietenia, ako sú napr. kontrolné žiarovky na ohrievačoch vody, živé elektrické spotrebiče, atď.



- NIKDY sa nepokúšajte zapáliť horák so zatvoreným poklopom. Vo vnútri uzavretého zariadenia môže dôjsť k vytvoreniu nebezpečných nezapálených plynov.
- Pred premiestnením plynovej fľaše z určenej prevádzkovej pozície vždy vypnite prívod plynu na fľaši a odpojte ovládač.
- Ak plynová fľaša nie je na určenej prevádzkovej pozícii, nikdy zariadenie nepoužívajte.
- Na zariadení nevykonávajte žiadne úpravy. Všetky úpravy sú prísne zakázané. Užívateľ nie je oprávnený manipulovať so zapečatenými časťami. Nevykonávajte demontáž vstrekovačov.

Bezpečnostné tipy

- Pred otvorením ventilu plynovej fľaše skontrolujte tesnosť ovládača.
- Keď nie je zariadenie v prevádzke, vypnite všetky ovládacie tlačidlá aj prívod plynu.
- Popáleninám a obareninám predchádzajte použitím rukavíc a náradia na grilovanie s dlhou rúčkou. Pri manipulácii s horúcimi časťami používajte ochranné rukavice.
- Maximálna záťaž ohrevnej platne, ak je súčasťou výbavy, a bočnej poličky je 4,5 kg. Grilovacia nádoba má minimálny priemer 200 mm a maximálny priemer 260 mm. **POZNÁMKA:** Váš gril NEMUSÍ byť vybavený ohrevnou platňou!
- Olejový zásobník (ak je súčasťou výbavy) musíte vložiť do vnútra zariadenia a po každom použití ho vyprázdniť. Neodstraňujte olejový zásobník, pokiaľ zariadenie úplne nevychladlo.
- Buďte opatrní pri otváraní poklopu, pretože hrozí únik horúcej pary.
- Postupujte veľmi opatrne, keď sa v blízkosti nachádzajú deti, starší ľudia alebo domáce zvieratá.
- Ak zistíte, že olej alebo iný horúci materiál kvapká zo zariadenia na ventil, kábel alebo ovládač, ihneď vypnite prívod plynu. Určite príčinu, zabezpečte opravu, následne pred pokračovaním vyčistite a skontrolujte ventil, kábel a ovládač. Vykonajte skúšku tesnosti.
- Neskladujte žiadne predmety alebo materiály vo vnútri krytého vozíka zariadenia, ktoré by mohli zamedziť toku spaľovacieho vzduchu smerom do spodnej časti radiaceho panela alebo kotla.
- PRIPÁJAJTE alebo vymieňajte plynovú nádobu maximálne do troch metrov od otvoreného ohňa alebo iného zápalného zdroja.

Výmena plynovej fľaše

Valce nemôžu byť umiestnené pod alebo do spotrebiča. valce majú byť umiestnené na bočnej a zadnej strane prístroja. Valce sú, že je maximálny priemer 345mm a maximálna výška 600 mm. Valcov umiestnených na zemi nesmie byť umiestnená pod varnou doskou.

Požiadavky na ovládač

S týmto zariadením sa musí používať ovládač. Používajte iba plynový ovládač dodaný spolu s týmto grilom. Ak ovládač nie je súčasťou výbavy grilu, potom používajte certifikovaný ovládač v súlade s normou EN16129 (Max. rýchlosť toku 1,5 kg/hod.) a schválený pre vašu krajinu a plyn, ako je to podrobne stanovené v Technických údajoch.

Požiadavky na hadice

Používajte iba schválenú hadicu, ktorá je certifikovaná podľa príslušnej normy EN a nepresiahne dĺžku 1,5 metra. Vo Fínsku dĺžka hadice nesmie presiahnuť dĺžku 1,2 metra.



Pred každým použitím skontrolujte, či nie sú hadice prerezané alebo opotrebované. Uistite sa, že hadica nie je zauzlená. Zabezpečte, aby sa pripojená hadica nedotýkala žiadnych zohriatych povrchov. Pred použitím zariadenia zabezpečte výmenu poškodených hadíc. Výmenu vykonajte v súlade s vnútroštátnymi požiadavkami.

Zapaľovanie ignítorom

- **Pri zapaľovaní sa neopierajte o gril.**

1. Otočte ventily ovládača plynového horáka do pozície O (vypnutý).
2. Počas zapaľovania alebo opätovného zapaľovania majte poklop otvorený.
3. Zapnite prívod plynu na LPG fľaši.
4. Pri zapálení stlačte a otočte gombík horáka do pozície VYSOKÝ (HIGH). Okamžite stlačte a držte tlačidlo ELEKTRONICKÉHO IGNÍTORA, pokiaľ sa horák nezapáli.
5. Pokiaľ sa oheň neobjaví do piatich sekúnd, otočte ovládač horáka do pozície O (vypnutý), čakajte päť minút a zopakujte celý proces zapaľovania znova.
6. Zapáliť zvyšné horáky, zatlačte a otočením gombíka do polohy HIGH počnúc horákov najbližšie k zapaľovaniu horáka ako prvý.

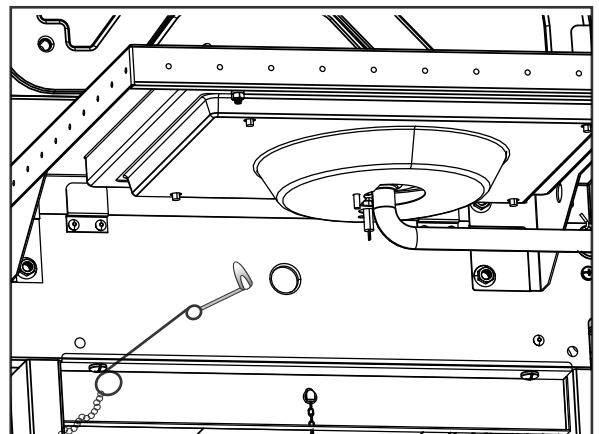
	VAROVANIE	
AK nie je zariadenie v prevádzke, vypnite všetky ovládače a prívod plynu z plynovej fľaše.		

	UPOZORNENIE	
Pokiaľ sa oheň NEOBJAVÍ do piatich sekúnd, otočte ovládač horáka do pozície O (vypnutý), čakajte päť minút a zopakujte celý proces zapaľovania znova. Ak sa horák nezapáli pomocou otvoreného ventilu, plyn bude naďalej unikať z horáka, môže sa náhodne vznietiť a spôsobiť vážne zranenie.		

Zapaľovanie pomocou zápalkiek

- **Pri zapaľovaní sa neopierajte o gril.**



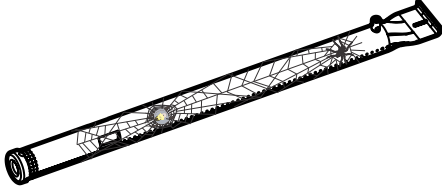
1. Otočte ventily ovládača plynového horáka do pozície O (vypnutý).
2. Počas zapaľovania alebo opätovného zapaľovania majte poklop otvorený
3. Zapnite prívod plynu na LPG fľaši.
4. Umiestnite zápalky do držiaka zápalkiek (je zavesený na bočnom paneli grilu). Zapáľte zápalku; potom zapáľte horák tak, že prestričíte zápalku cez otvor na bočnej strane grilu. Ihneď ju zasuňte do vnútra a otočte gombík horáka do pozície VYSOKÝ (HIGH). Uistite sa, že horák horí.
5. Postupne zapáľte vedľajšie horáky stlačením gombíkov a otočením do pozície VYSOKÝ (HIGH).



Skúška tesnosti ventilov, hadice a ovládača

Vykonajte skúšku tesnosti pred prvým použitím, najmenej jedenkrát za rok a vždy pri výmene a odpojení fľaše.

1. Otočte všetky tlačidlá zariadenia do pozície O.
2. Zabezpečte, aby bol ovládač pevne pripojený ku plynovej fľaši.
3. Zapnite prívod plynu. Ak počujete zvuk rýchleho toku plynu, ihneď prívod plynu odstavte. Bude tam veľký únik pri spoji. Predtým, ako budete pokračovať, zabezpečte nápravu.
4. Naneste na hadicové spoje mydlový roztok (zmes mydla a vody v pomere 1:1).
5. Ak sa objavia rastúce bubliny, znamená to, že uniká plyn. Okamžite vypnite prívod plynu na fľaši a skontrolujte tesnosť spojov. Ak sa únik plynu nedá zastaviť, nesnažte sa to opraviť. Zavolajte a požiadajte o náhradné diely.
6. Po vykonaní skúšky tesnosti vždy vypnite prívod plynu na fľaši.

	UPOZORNENIE	
POZOR NA PAVÚKOV PAVÚKY A PAVUČINY VO VNÚTRI HORÁKA		
		
<p>Ak sa vám gril ťažko zapalauje alebo je plameň slabý, skontrolujte a vyčistite Venturiho trubicu a horák.</p> <p>Pavúky alebo malý hmyz sú známe tým, že svojimi pavučinami a nakladenými vajíčkami vo Venturiho trubici alebo horáku grila spôsobujú problémy so spätným zašľahnutím plameňa a tým bránia prúdeniu plynu. Zatláčený plyn môže zapáliť za kontrolným panelom. Spätne zašľahnutie plameňa môže viesť k poškodeniu grilu a spôsobiť zranenie. Keď sa dlhší čas gril nepoužíva, musíte demontovať a vyčistiť horák a zostavu Venturiho trubice, aby sa predišlo spätnému zašľahnutiu plameňa a bol zabezpečený jeho dobrý výkon.</p>		

AK SA VAŠEMU ZARIADENIU NEDARÍ HORIEŤ

- Uistite sa, že je na fľaši zapnutý prívod plynu.
- Uistite sa, že vo fľaši je plyn.
- Vydáva ignítor iskrivý zvuk?
 - Ak áno, skontrolujte zapalovanie v horáku.
 - Ak to nie je zapalovanie, skontrolujte, či nie sú káble poškodené alebo uvoľnené.
- Ak sú káble v poriadku, skontrolujte, či nie je elektróda prasknutá alebo nefunkčná, v prípade potreby ju vymeňte.
- Ak sa na kábloch a elektródach nachádzajú zvyšky jedla, v prípade potreby utrite alkoholom hrot elektródy.
- V prípade potreby zabezpečte výmenu káblov.
- V prípade žiadneho zvuku skontrolujte batériu.
- Uistite sa, že je batéria správne namontovaná.
- Skontrolujte, či nie sú pri module a spínači uvoľnené káble.
- Ak ignítor naďalej nefunguje, potom použite zápalky.

Čistenie zostavy horáka

Pri čistení a/alebo výmene častí horáka alebo ak máte problémy so zapálením grilu, postupujte podľa týchto pokynov.

1. **Vypnite prívod plynu na ovládacích tlačidlách a LPG fľaši.**
2. Odstráňte grilovacie rošty a aróma koľajnice.
3. Odstráňte pohyblivé trubice a vybavenie na montáž horákov.
4. Odpojte elektródu z horáka.

POZNÁMKA: Spôsob odstránenia/demontáže bude závisieť od konfigurácie horáka. Rôzne konfigurácie môžete vidieť na nižšie uvedených obrázkoch.

5. Opatrne nadvihnite a vyberte všetky horáky z ventilových otvorov. Odporúčame tri spôsoby čistenia trubice horáka. Riadte sa tým pre vás najľahším spôsobom.

A. Ohnite ostrý drôt (vešiak na ľahší kabát môže dobre poslúžiť) do tvaru menšieho háku. Prestrčte hák niekoľko-krát cez trubicu horáka.



B. Použite úzku kefu na fľašu s ohybnou rukoväťou (v žiadnom prípade nepoužívajte drôtenú kefu), ktorú niekoľko-krát prestrčte cez trubicu horáka.

C. Použite ochranu na oči: Pomocou vzduchovej hadice dostanete vzduch do trubice horáka a von ventilmi horáka. Skontrolujte, či vzduch vychádza zo všetkých ventilov.

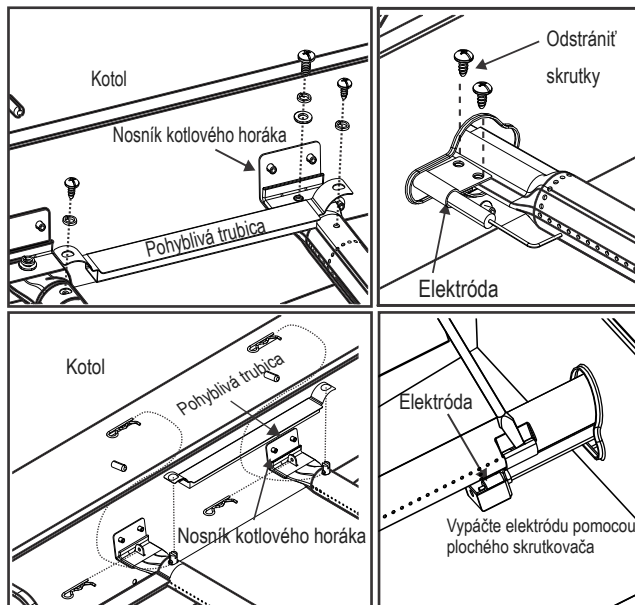
6. Pomocou drôtenej kefy vyčistíte vonkajšiu časť horáka a odstránite zvyšky jedla a špinu.
7. Vyčistíte všetky upchané ventily pomocou ostrého drôtu, napr. pomocou otvorenej spinky na papier.
8. Uistite sa, že horák nie je poškodený, pretože v dôsledku bežného opotrebovania a korózie sa môžu trhlinky zväčšovať. V prípade, ak nájdete nejaké trhliny, horák radšej vymeňte.

VELMI DÔLEŽITÉ: Trubicu horáka musíte znovu zapojiť cez otvor ventila. Vid' obrázok napravo.

Správne zapojenie horáka cez otvor ventila



9. Pripevnite elektródu k horáku.
10. Opatrne vykonajte výmenu horákov.
11. Pripevnite horáky ku držiakom v kotli.
12. Pohyblivé trubice uložte na miesto a pripevnite k horákom. Znovu inštalujte aróma koľajnice a grilovacie rošty.
13. Pred grilovaním znova vykonajte „skúšku tesnosti“ a „kontrolu plameňa na horáku“.



Skladovanie zariadenia

- Vyčistíte grilovacie rošty.
- Zariadenie skladujte na suchom mieste.
- Ak je ku zariadeniu pripojená plynová fľaša, skladujte ho vonku na dobre vetranom mieste a mimo dosahu detí.
- Pri skladovaní vonku používajte na zariadenie obal.
- Skladovať zariadenie vnútri je možné IBA vtedy, keď je plynová fľaša od zariadenia odpojená a uložená vonku.
- Po skladovaní skontrolujte, či sa v horákoch nenachádzajú nejaké prekážky.

Všeobecné pokyny na čistenie zariadenia

- Zariadenie čistíte často, pokiaľ možno po každom grilovaní. Ak na čistenie grilovacích povrchov používate štetinovú kefku, uistite sa, aby uvoľnené štetiny nezostali na grilovacom povrchu pred grilovaním. Odporúča sa čistiť grilovacie povrchy, keď sú horúce. Zariadenie by sa malo vyčistiť aspoň raz za rok.
- Nemýľte si hnedé a čierne usadeniny mastnoty a dymu s farbou. Na vnútornú časť plynového grilu sa ani v továrni nenanáša farba (nikdy by sa nemala). Na čistenie použite silný roztok čistiaceho prostriedku a vody alebo použite čistič so škrabkou a vyčistíte vnútorné časti poklopu a spodnej časti zariadenia. Opláchnite a nechajte na vzduchu úplne vyschnúť. Na povrchy natrené farbou nepoužívajte žieravé látky alebo čističe na rúry.
- Plastové časti: Umyte teplou mydlovou vodou a utrite do sucha.
 - Na plastové časti nepoužívajte citrizol, abrazívne a koncentrované čistiace prostriedky, ani odmasťovače. Môže to viesť k poškodeniu a nefunkčnosti častí zariadenia.
- Porcelánové povrchy: Kvôli zloženiu podobnému sklu sa dá väčšina usadením odstrániť pomocou jedlej sódy/vodného roztoku alebo špeciálne namiešaného čistiaceho prostriedku. Na nepodajnú špinu použite neabrazívny čistiaci prášok.
- Povrchy natrené farbou: Umyte pomocou jemného alebo neabrazívneho čistiaceho prostriedku a teplej mydlovej vody. Utrite do sucha jemnou neabrazívnou handričkou.
- Povrchy z nehrzdavejúcej ocele: Po každom použití umývajte jemným čistiacim prostriedkom a teplou mydlovou vodou, aby si zariadenie uchovalo vzhľad najvyššej kvality. Potom vytrite do sucha jemnou handričkou. Pripálené mastné usadeniny budú vyžadovať použitie abrazívnej plastovej škrabky. Používajte v smere vrúbkovanej úpravy povrchu, aby ste sa vyhli poškodeniu. Abrazívnu škrabku nepoužívajte na plochách s grafikou.
- Grilovacie povrchy: Ak na čistenie všetkých grilovacích povrchov používate štetinovú kefku, uistite sa, aby vypadnuté štetiny nezostali na grilovacích povrchoch pred grilovaním. Neodporúča sa čistiť grilovacie povrchy počas prevádzky grilu.

Nehrdzavejúca oceľ

Existuje veľa rôznych typov materiálov (zliatin), ktoré sa považujú za nehrdzavejúcu oceľ.

Obvyklou vlastnosťou týchto typov materiálov je korózia (oxidácia), ktorá závisí od podmienok, ktorým sú vystavené.

Týka sa to aj vášho nového grilu.

Ak chcete zaistiť, aby si váš gril dlho zachoval svoj pôvodný vzhľad a funkčnosť, riadte sa nižšie uvedenými radami.

- 1) V prípade, ak je gril mokrá alebo vlhký, uistite sa, aby ste ho handričkou vytreli do sucha a takým spôsobom ho chránili pred povrchovou koróziou.
- 2) Nehrdzavejúca oceľ môže za určitých podmienok korodovať. Môže to byť zapríčinené podmienkami okolitého prostredia, napr. vystavením chlorínu alebo slanej vody alebo používaním nesprávnych čistiacich nástrojov, napr. drôtenky alebo vlny z ocele. Taktiež môže zmeniť farbu pôsobením tepla, chemikálií alebo mastných usadenín.
- 3) Po každom použití umývajte jemným čistiacim prostriedkom a teplou mydlovou vodou, aby si zariadenie uchovalo vzhľad najvyššej kvality. Potom vytrite do sucha jemnou handričkou. Pripálené mastné usadeniny budú vyžadovať použitie abrazívnej plastovej škrabky. Používajte iba v smere vrúbkovanej úpravy povrchu, aby ste sa vyhli poškodeniu. Abrazívnu škrabku nepoužívajte na plochách s grafikou.
- 4) Vnútorne časti grilu a rošty ošetríte kychynským olejom.

Upozorňujeme, že:

Ak sa chcete pri čistení nehrdzavejúcej ocele vyhnúť škrabancom, ktoré môžu viesť ku korózii, nikdy nepoužívajte vlnu z ocele alebo podobné nástroje.

Pri čistení postupujte v smere vrúbkovanej úpravy povrchu – v smere „kresby“.

Skladovanie grilu v blízkosti pobrežia, bazéna alebo wellness centra môže viesť ku korózii (oxidácii).

Predchádzajte korózii tak, že gril zakryjete.

TECHNICKÉ ÚDAJE
CHAR-BROIL, LLC

Názov zariadenia	Plynový gril			
Celkový menovitý tepelný príkon	8.21kW (597 g/h)			7,03kW (512 g/h)
Plynová kategória	I3+(28-30/37)	I3B/P(30)		I3B/P(50)
Číslo modelu	468402118			468401118
Typ plynu	Bután	Propán	Butane, Propane or their mixtures	Butane, Propane or their mixtures
Tlak plynu	28-30 mbar	37 mbar	30 mbar	50 mbar
Veľkosť vstrekača (priemer v mm)	Gril: 1,03 x 2 ks		Gril: 1,03 x 2 ks	Gril: 0,80 x 2 ks
	Ohrevná platňa: N/A		Ohrevná platňa: N/A	Ohrevná platňa: N/A
Cieľové krajiny	GB, FR, BE, ES, IT, PT, CZ, SK		DK, NO, NL, SE, FI, IS, CZ, IT, SK	AT, DE, CH, LU

1,5 VDC batéria

UPPSETNINGARADILI:


Þessi handbók á að vera hjá notandanum.

NOTANDI:


Geymdu leiðbeiningarnar til að fletta upp í þeim síðar.

Spurningar:

Ef spurningar vakna við samsetningu eða notkun tækisins skaltu hafa samband við staðbundinn söluaðila.




HÆTTA



Ef þú finnur gaslykt:


1. Slökktu á gasflæði til grillsins.
2. Slökktu allan opinn eld.
3. Opnaðu lokið.
4. Ef lyktin hverfur ekki skaltu halda þig fjarri tækinu og hringja strax í söluaðila gassins eða slökkvilið.




VIÐVÖRUN



1. Ekki geyma eða nota bensín eða aðra eldfima vökva nálægt þessum eða öðrum búnaði.
2. Ekki má geyma ótengdan gaskút, sem á að nota, nálægt þessum eða öðrum búnaði.



VARÚÐ



- Lestu og fylgdu öllum öryggisfyrirmælum, leiðbeiningum um samsetningu og umhirðu áður en þú setur grillið saman og eldar á því.
- Sumir hlutar kunna að vera með skarpar brúnir. Ráðlagt er að nota hlífðarhanska.

Eldur af völdum feiti

- Ekki er hægt að slökkva eld í feiti með því að loka lokinu. Grill eru vel loftræst af öryggisástæðum.
- Ekki nota vatn á feiti, það getur leitt til persónulegra meiðsla. Ef kviknar í feiti, sem ekki slokknar, skaltu skrífa fyrir alla hnúða og gaskútinn.
- Ef grillið er ekki þrifið reglulega getur kviknað í feiti sem skemmir vöruna. Gættu þess vel við forhitun eða ef þú brennir matarleifar í burtu að tryggja að ekki kvikni í feiti. Fylgdu leiðbeiningunum um almenn þrif grillsins og þrif á brennarabúnaðinum til að koma í veg fyrir eld í feiti. Besta leiðin til að koma í veg fyrir að kvikni í feiti er að þrifa grillið reglulega.
- Ekki skilja grillið eftir án eftirlits við forhitun þess eða ef matarleifar eru brenndar í burtu á HI. Ef grillið hefur ekki verið þrifið reglulega getur kviknað í feiti sem kann að skemma vöruna.



VIÐVÖRUN



Fyrir örugga notkun grillsins og til að koma í veg fyrir alvarleg meiðsli:

- **NOTAÐU AÐEINS UTANDYRA. NOTAÐU ALDREI INNANDYRA.**

Lestu leiðbeiningarnar áður en þú notar grillið. Fylgdu ávallt leiðbeiningunum.

- Ekki færa grillið við notkun.
- Aðgengilegir hlutir kunna að vera mjög heitir. Haltu ungum börnum fjarri. Ekki leyfa börnum að nota eða leika sér nálægt grillinu.
- Skrífaðu fyrir gasið á kútnum eftir notkun.
- Halda skal grillinu fjarri eldfimum efnum við notkun.
- Ekki hylja op á hliðum eða aftan á grillinu.
- Athugaðu loga brennarans reglulega.
- Ekki loka rennslisviðnámsgötunum á brennarannum.
- Notaðu grillið aðeins á vel loftræstum svæðum. Notaðu það ALDREI í lokuðum rýmum eins og í bílskýlum, bílskúrum, veröndum,
- á lokuðum sólpöllum eða undir neins konar mannvirkjum.
- Ekki nota kol eða keramikmola með gasinu.
- **EKKI hylja ristar með álpappír eða öðrum efnum.** Það leiðir til þess að loftræsting brennarans lokast og getur skapað ástand sem er hugsanlega hættulegt og getur leitt til eignatjóns og/eða meiðsla.
- **Notaðu grillið að minnsta kosti 1 m í burtu frá veggjum eða yfirborðum.** Ý Haltu 3m fjarlægð frá hlutum sem getur kviknað í eða eldsupptökum eins og gaumljósum á vatnshiturum, rafmagnsbúnaði í gangi, o.s.frv.



- Reyndu ALDREI að kveikja á brennara með lokið lokað. Uppsöfnun á gasi, sem ekki hefur kviknað í, inni í lokuðu grilli er hættuleg.
- Skrífaðu ávallt fyrir gaskútinn og aftengdu stillinn áður en þú færir gaskútinn úr þeirri notkunarstöðu sem tiltekin er.
- Notaðu grillið aldrei með gaskútinn í annarri stöðu en tiltekin er.
- Ekki gera breytingar á grillinu. Allar breytingar eru stranglega bannaðar. Notandinn má ekki fíka við límda hluti. Ekki taka innspýtingarbúnað í sundur.

Öryggisráð

- Áður en lokinn á gaskútum er opnaður skaltu athuga hvort stillirinn sé vel þéttur.
- Þegar grillið er ekki í notkun skaltu skrúfa fyrir alla stjórnhnúða og gasið.
- Notaðu grilláhöld með löngu handfangi og ofnhanska til að koma í veg fyrir að þú brennir þig. Notaðu hlífðarhanska þegar þú meðhöndlar heita hluti.
- Hámarksþungi fyrir hitaplötuna, ef til staðar, og hliðarhilluna er 4,5 kg. Lágmarkspvermál eldunaríláts 200 mm og að hámarki 260 mm. **ATHUGAÐU:** Það getur verið að grillið þitt sé EKKI með hitaplötu!
- Feitiílatið (ef fylgir) þarf að vera sett í tækið og tæmt eftir hverja notkun. Ekki fjarlægja feitiílatið fyrr en tækið hefur kólnað alveg.
- Sýndu mikla aðgát þegar þú opnar lokið því heit gufa kann að koma út.
- Sýndu mikla aðgát þegar börn, aldraðir eða gæludýr eru nálægt.
- Ef þú sérð feiti eða annað heitt efni leka úr tækinu á loka, slöngu eða stilli skaltu skrúfa tafarlaust fyrir gasið. Finndu orsökina, lagfærðu vandamálið og þrífðu síðan og skoðaðu lokann, slönguna og stillinn áður en lengra er haldið. Framkvæmdu lekapróf.
- Ekki geyma hluti eða efni í grind tækisins sem getur lokað fyrir loftflæði fyrir brunann að undirhlið annaðhvort stjórnborðsins eða eldhólfsskalarinnar.
- EKKI aftengja eða skipta um gaskút í minna en 3m fjarlægð frá opnum eldi eða öðrum eldsupptökum.

Skipti á kút

Strokkar ekki hægt að setja undir eða í tækinu. Strokkar eru að vera sett til hliðar og aftan á tækinu. Strokkar eru að vera hámark þvermál 345mm og Hámarkshæð 600mm. Strokkar sett á jörðu skal ekki vera undir hitaplötu.



Kröfur fyrir stilli

Nota skal stilli með grillinu. Notaðu aðeins gasstillinn sem kemur með grillinu. Ef stillir, fylgir ekki með, að þá skaltu aðeins nota vottaðan stilli í samræmi við EN16129 (flæði að hámm. 1,6 kg/klst.), sem er leyfður í heimalandi þínu, gasið sem tilgreint er í tækniupplýsingunum.

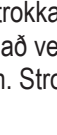


Kröfur fyrir slöngu

Notaðu aðeins viðurkennda slöngu, sem er vottuð fyrir viðeigandi EN staðal og er ekki lengri en 1,5m að lengd. Í Finnlandi má slöngulengdin ekki vera yfir 1,2m. Fyrir hverja notkun skaltu athuga hvort slöngurnar eru skornar eða slitnar. Gakktu úr skugga um að slangan hafi ekki beyglast. Gakktu úr skugga um að tengd slanga snerti ekki heitt yfirborð. Skiptu um skemmdar slöngur áður en grillið er notað. Skiptu um slönguna eftir innlendum reglum.



Kveiking

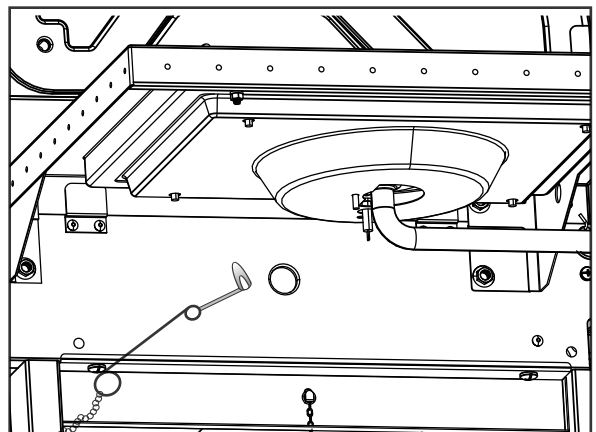
- **Ekki halla þér yfir grillið þegar kveikt er upp í því.**
 1. Snúðu stjórnlokum gasbrennarans á O (af).
 2. Opnaðu lokið við kveikingu og endurkveikingu.
 3. Skrúfaðu FRÁ gasinu á LP kútnum.
 4. Til að Kveikjuhnappur skaltu ýta á og snúa brennarahnúðinum á  HÁTT. Ýttu strax og haltu RAFDRIFNA KVEIKIHNAPPINUM inni þangað til kviknar á brennarinum.
 5. Ef EKKI kviknar á grillinu innan 5 sekúndna skaltu slökkva á brennarinum , bíða í 5 mínútur og endurtaka kveikinguna.
 6. Til að kveikja eftir brennari, ýta og snúa takkanum til HIGH stöðu sem hefst með brennara næst íkviknun BRENNARANN fyrstu.

	VIÐVÖRUN	
Skrúfaðu fyrir stýringar og gaskúta þegar grillið er ekki í notkun.		

	VARÚÐ	
Ef EKKI kviknar á grillinu innan 5 sekúndna skaltu slökkva á brennarinum , bíða í 5 mínútur og endurtaka kveikinguna. Ef ekki kviknar á brennarinum þegar lokinn er opinn mun gas halda áfram að flæða út úr brennarinum og getur kviknað óvart í því og valdið meiðslum.		

Kveiking með eldspýtu

- **Ekki halla þér yfir grillið þegar kveikt er upp í því.**
 1. Snúðu stjórnlokum gasbrennarans í O (af).
 2. Opnaðu lokið við kveikingu og endurkveikingu.
 3. Skrúfaðu FRÁ gasinu á LP kútnum.
 4. Settu eldspýtuna í eldspýtuholdarann (hangir á hliðarþili grillsins). Kveiktu á eldspýtni; kveiktu síðan á brennarinum með því að setja eldspýtuna í gegnum eldspýtugatið á hliðinni á grillinu. Ýttu eldspýtni strax inn og snúðu brennarahnúðinum í  stöðuna HÁTT. Gakktu úr skugga um að það kvikni á brennarinum og að hann logi áfram.
 5. Kveiktu á nálægum brennurum í röð með því að ýta á hnúðana og snúa þeim í  stöðuna HÁTT.



Lekapróf á lokum, slöngu og stilli

Framkvæmdu lekapróf fyrir fyrstu notkun, að minnsta kosti einu sinni á ári og í hvert sinn sem skipt er um gaskútinn eða hann aftengdur.

1. Snúðu öllum stjórnhnúðum grillsins á 0.
2. Gakktu úr skugga um að stillirinn sé tengdur með þéttum hætti við kútinn.
3. Skrúfaðu frá gasinu. Ef þú heyrir lofthljóð skaltu skrúfa strax fyrir gasið. Tengingin lekur mikið. Lagfærðu áður en lengra er haldið.
4. Berðu sápulausn (blanda með helmingi sápu og helmingi vatn) á slöngutengingarnar.
5. Ef vaxandi bólur myndast er leki til staðar. Skrúfaðu strax fyrir gaskútinn og athugaðu þéttni tenginga. Ef ekki er hægt að stöðva lekann skaltu ekki reyna að gera við. Hringdu og pantaðu varahluti.
6. Skrúfaðu ávallt fyrir gaskútinn eftir lekapróf.



VARÚÐ



VIÐVÖRUN UM KÖNGULÆR!

KÖNGULÆR OG VEFIR INNAN Í BRENNURUM



Ef erfitt er að kveikja á grillinu eða ef logarnir eru veikir skaltu athuga og þrifa rennslisviðnámsop og brennara.

Köngulær eða lítil skordýr geta valdið „blossum“ með því að búa til hreiður og verpa eggjum í rennslisviðnámsop eða brennara grillsins sem hindra gasflæðið. Það getur kviknað í uppsafnaða gasinu á bak við stjórnborðið. Blossarnir geta skemmt grillið og valdið meiðslum. Til að koma í veg fyrir blossa og tryggja snurðulausa notkun ætti að fjarlægja brennarann og rennslisviðnámsrórin og þrifa þegar grillið hefur ekki verið notað um langan tíma.

EF EKKI KVEIKNAR Á GRILLINU

- Gakktu úr skugga um að skrúfað sé frá gaskútinum.
- Gakktu úr skugga um að gas sé í kútnum.
- Myndar kveikjan neistahljóð?
 - Ef já, skaltu athuga neista við brennarann.
 - Ef enginn neisti skaltu athuga hvort vírar séu skemmdir eða lausir.
- Ef vírar eru í LAGI skaltu athuga sprungin eða skemmd rafskaut, skiptu um ef þörf krefur.
- Ef vírar eða rafskaut eru hulin matarleifum skaltu þrifa odd rafskautsins með alkóhólþurrku ef þörf krefur.
- Ef þörf krefur skal skipta um víra.
- Ef ekkert hljóð heyrir skaltu athuga rafhlöðuna.
- Gakktu úr skugga um að rafhlaðan sé rétt sett í.
- Athugaðu lausar vírtengingar hjá einingunni og rofanum.
- Ef kveikjan virkar enn ekki skaltu nota eldspýtu.

Þrif á brennarsamstæðu

Fylgdu leiðbeiningunum til að þrifa og/eða skipta um hluta brennarsamstæðunnar eða ef þú átt í erfiðleikum með að kveikja á grillinu.

1. **Skrúfaðu fyrir gas með stjórnhnúðum og á LP kúti.**
2. Fjarlægðu grillristarnar og hitatjöldin.
3. Fjarlægðu aðfærslurörin og íhluti sem festa brennarana.
4. Taktu rafskautið af brennarum.

ATHUGAÐU: Aðferðin við hvernig brennararnir eru fjarlægðir/losaðir fer eftir gerð þeirra. Sjá mismunandi gerðir á myndunum að neðan.

5. Lyftu hverjum og einum brennara varlega í burtu frá lokaopunum. Við ráðleggjum þrjár leiðir til að þrifa brennararörin. Notaðu þá sem er auðveldust fyrir þig.

A. Beygðu stífan vír (vírherðatré virkar vel) í lítinn krók. Stingdu króknum í gegnum öll brennararörin nokkrum sinnum.



B. Notaðu mjóan flöskubursta með sveigjanlegu handfangi (ekki nota messingvírur). Stingdu burstanum í gegnum öll brennararörin nokkrum sinnum.

C. Notaðu augnhlifar: Notaðu loftslöngu til að þvinga loft inn í brennararörið og út um brennaraopin. Skoðaðu öll opin til að ganga úr skugga um að loft komi út um þau öll.

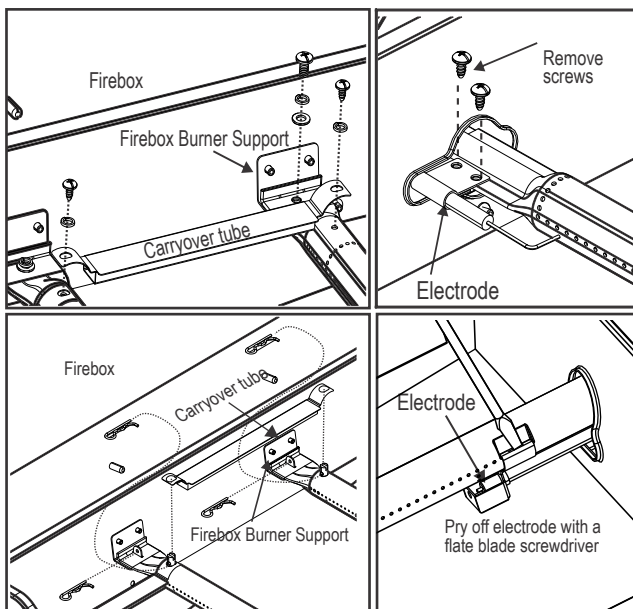
6. Virburstaðu allt ytra yfirborð brennarans til að fjarlægja matarleifar og óhreinindi.
7. Þrifðu stífluð op með stífum vír eins og opinni pappírsklemmu.
8. Athugaðu skemmdir á brennarum vegna eðlilegs slits og tæringar, það getur verið að sum opin hafi stækkað. Ef stórar sprungur eða göt finnast skal skipta um brennarann.

MJÖG MIKILVÆGT: Brennararörin verða að tengjast lokaopunum. Sjá myndirnar til hægri.

Rétt tenging á brennara og loka



9. Festu rafskaut við brennara.
10. Skiptu varlega um brennarana.
11. Festu brennarana við festingarnar í eldhólfinu.
12. Settu aðfærslurörin aftur í og festu við brennarana. Skiptu um hitatjöldin og grillristarnar.
13. Áður en þú eldar aftur á grillinu skaltu framkvæma „lekapróf“ og „skoðun á loga brennara“.



Geymsla á grillinu

- Þrifðu grillristar.
- Geymdu á þurrum stað.
- Þegar gaskútur er tengdur við grillið skal geyma það utandyra á vel loftrýmdu svæði og þar sem börn ná ekki til.
- Hyldu grillið ef það er geymt utandyra.
- Geymdu grillið AÐEINS innandyra ef skrúfað er fyrir gaskútinn og hann aftengdur, fjarlægður frá grillinu og geymdur utandyra.
- Þegar grillið er tekið úr geymslu skal athuga hindranir í brennurum.

Almenn þrif á grillinu

- Þrifðu grillið oft, helst eftir hverja notkun. Ef stífur bursti er notaður til að þrifa eldunaryfirborð grillsins skal gæta þess að engar leifar úr burstanum standi eftir á eldunaryfirborðinu áður en grillað er. Ekki er ráðlagt að þrifa eldunaryfirborðið á heitu grilli. Þrifa ætti grillið að minnsta kosti einu sinni á ári.
- Ekki ruglast á brúnni eða svartri uppsöfnun á feiti og reyk fyrir málningu. Gasgrill eru ekki máluð að innan í verksmiðjunni (og ættu aldrei að vera máluð). Berðu á kraftmikla lausn af hreinsiefni og vatni eða notaðu grillhreinsi með skrubbursta innan á lok og botn grillsins.
- Skolaðu og láttu það þorna alveg. Ekki nota ætandi efni/ofnhreinsi á málað yfirborð.
- Plasthlutar: Þvoið með heitu sápuvatni og þurrkið.
- Ekki nota citrisól, hrjúf hreinsiefni, fituleysa eða óþynntan grillhreinsi á plasthluta. Það getur leitt til skemmda eða bilana á hlutum.
- Postulínsyfirborð: Vegna samsetningar, sem er eins og gler, er hægt að þurrka flestar leifar í burtu með matarsóða/vatnslausn eða sérgerðum hreinsiefnum. Notaðu hreinsiduft, sem ekki er hrjúft, fyrir erfiða bletti.
- Málað yfirborð: Þvoiðu með mildu hreinsiefni, sem ekki er hrjúft, og heitu sápuvatni. Þurrkaðu með mjúkum klút sem ekki er hrjúfur.
- Yfirborð úr ryðfri stáli: Til þess að grillið haldi vönduðu útliti sínu skal þvo það með mildu hreinsiefni og heitu sápuvatni og þurrka með mjúkum klút eftir hverja notkun.
- Það getur verið að nota verði hrjúfan plasthreinsipúða á leifar sem festu hafa við notkun. Notaðu aðeins í burstuðu áttina til að koma í veg fyrir skemmdir. Ekki nota hrjúfa púða á svæði með grafík.
- Eldunaryfirborð: Ef stífur bursti er notaður til að þrifa eldunaryfirborð grillsins skal gæta þess að engar leifar úr burstanum standi eftir á eldunaryfirborðinu áður en grillað er. Ekki er ráðlagt að þrifa eldunaryfirborðið á heitu grilli.

Ryðfrítt stál

Það eru margar gerðir (málblendir) af efni sem falla undir að vera ryðfrítt stál.

Það sem þessar mismunandi gerðir eiga sameiginlegt er að þau geta tærst (oxíderast) eftir þeim aðstæðum sem þau verða fyrir.

Það sama gildir um grillið þitt.

Til að tryggja að grillið haldi útliti sínu og virkni í mörg ár skaltu fylgja eftirfarandi ráðum að neðan.

1) Ef grillið hefur blotnað eða er rakt skaltu ganga úr skugga um að þurrka það með klút til að koma í veg fyrir tæringu yfirborðsins.

2) Ryðfrítt stál getur ryðgað við ákveðnar aðstæður. Það getur átt sér stað vegna aðstæðna í umhverfinu eins og vegna klórs eða saltvatns eða rangra áhalda við þrif eins og víra eða stálullar. Það getur einnig upplitast vegna hita, íðefna eða uppsöfnunar á feiti.

3) Til að viðhalda vönduðu útliti grillsins skaltu þvo það með mildu hreinsiefni og heitu sápuvatni og þurrka það með mjúkum klút eftir hverja notkun. Það getur verið að nota verði hrjúfan plasthreinsipúða á leifar sem festu hafa við notkun. Notaðu aðeins í burstuðu áttina til að koma í veg fyrir skemmdir. Ekki nota hrjúfa púða á svæði með grafík.

4) Berðu feiti á innri hluti grillsins og ristarnar með matarolíu.

Athugaðu:

Til að koma í veg fyrir að yfirborðið rispist og myndi þannig grunn fyrir ryð skaltu aldrei nota stálull eða svipuð efni við þrif á ryðfríu stáli.

Við þrif skaltu vinna í sömu átt og burstun ryðfría stálsins - „með röndunum“.

Þrif með hrjúfum efnum getur skilið eftir sig rispur.

Ef grillið er geymt nálægt strönd, sundlaug eða heilsulind tærast það (oxíderast).

Hyldu grillið til að verja það gegn ryði.

TÆKNILEGAR UPPLÝSINGAR CHAR-BROIL, LLC

Heiti tækis	Gasgrill			
Málhitaintak í heild	8.21kW (597 g/h)			7,03kW (512 g/h)
Gasflokkur	I3+(28-30/37)		I3B/P(30)	I3B/P(50)
Módelnr.	468402118			468401118
Gasgerð	Bútan	Própan	Bútan, própan eða blöndur þeirra	Bútan, própan eða blöndur þeirra
Gasþrýstingur	28-30 mbar	37 mbar	30 mbar	50 mbar
Spíssstærð (þv. mm)	Grill: 1,03 x 2 stk.		Grill: 1,03 x 2 stk.	Grill: 0,80 x 2 stk.
	Suðuhella: ÁEV		Suðuhella: ÁEV	Suðuhella: ÁEV
Markaðslönd	GB, FR, BE, ES, IT, PT, CZ, SK		DK, NO, NL, SE, FI, IS, CZ, IT, SK	AT, DE, CH, LU

1,5 VDC rafhlöðu

MONTÉR:

Tento návod nechte spotřebiteli.

SPOTŘEBITEL:

Tento návod si uschovejte pro budoucí referenci.

Otázky:

Pokud během sestavování nebo používání tohoto přístroje budete mít otázky, obraťte se na místního prodejce.

NEBEZPEČÍ

Pokud ucítíte plyn:

1. Vypněte přívod plynu do přístroje.
2. Uhasťte otevřený oheň.
3. Otevřete víko.
4. Pokud zápach trvá, nezdržujte se v blízkosti přístroje a ihned zavolejte dodavateli plynu nebo požární stanici.

VAROVÁNÍ

1. V blízkosti tohoto nebo jiných přístrojů neskladujte ani nepoužívejte benzín nebo jiné hořlavé kapaliny.
2. V blízkosti tohoto nebo jiných přístrojů nepoužívejte plynový válec, který není připojený pro účely používání.

UPOZORNĚN

- Než se pokusíte přístroj sestavit a vařit na něm, přečtěte si a dodržujte všechny bezpečnostní pokyny, návod k sestavení a péči.
- Některé díly mohou mít ostré hrany. Doporučujeme používání ochranných rukavic.

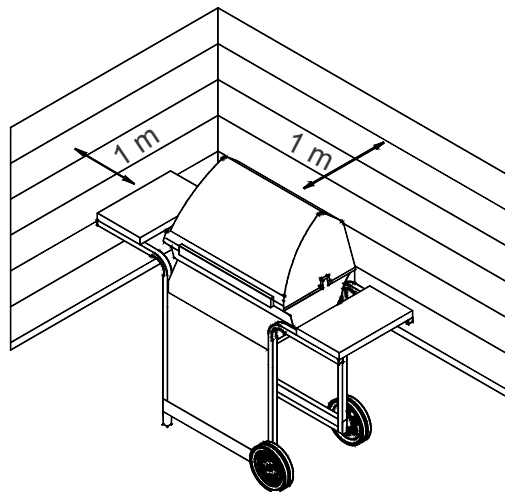
Hořící tuk

- Hořící tuk není možné uhasit zavřením víka. Grily jsou z bezpečnostních důvodů řádně větrané.
- K hašení hořícího tuku nepoužívejte vodu. Hrozí riziko poranění osob. Pokud dojde k trvalému hoření tuku, vypněte knoflíky a plynový válec.
- Pokud přístroj pravidelně nečistíte, může dojít ke vzplanutí tuku, které může výrobek poškodit. Při předeřívání nebo vypalování zbytků potravin buďte opatrní, aby nedošlo k hoření tuku. Pro zabránění požáru tuku dodržujte pokyny k obecnému čištění přístrojů a čištění sestavy hořáku. Nejlepším způsobem zabránění požáru tuku je pravidelné čištění přístroje.
- Při předeřívání nebo spalování zbytků potravin z grilu nenechávejte gril bez dozoru. Pokud gril pravidelně nečistíte, může nastat spalování tuku, které může poškodit výrobek.

VAROVÁNÍ

Pokyny k bezpečnému používání přístroje a prevenci vážného poranění:

- **POUŽÍVEJTE POUZE VENKU. NIKDY NEPOUŽÍVEJTE VEVNITŘ.** Než začnete přístroj používat, přečtěte si tyto pokyny. Vždy je dodržujte.
- Během používání přístrojem nepohybujte.
- Přístupné díly mohou být velmi horké. Udržujte mimo dosah dětí. Nenechte děti pohybovat se nebo hrát si v blízkosti přístroje.
- Po použití vypněte zásobení válce plynem.
- Tento přístroj musí být během používání uchovávan mimo hořlavé materiály.
- Neblokujte otvory po stranách nebo na zadní stěně přístroje.
- Pravidelně kontrolujte plameny hořáku.
- Neblokujte Venturiho trubice na hořáku.
- Přístroj používejte pouze v řádně větraném prostoru. NIKDY nepoužívejte v uzavřeném prostoru, jako je přístřešek pro auto, garáž, přístřešek, uzavřená terasa nebo pod stropní strukturou jakéhokoli druhu.
- Na plynovém přístroji nepoužívejte černé uhlí nebo brikety.
- **NEPŘEKRÝVEJTE** mřížky alobalem ani jiným materiálem. Došlo by tím k zablokování větrání hořáku a vzniku potenciálně nebezpečného stavu vedoucího k poškození majetku nebo poranění osob.
- **Přístroj používejte nejméně ve vzdálenosti 1 metro od jakékoli stěny nebo povrchu.** Udržujte vzdálenost 3 m od objektů, které mohou zachytit plamen, nebo od zdrojů vznícení, jako jsou pilotní kontrolky na ohřívacích vody, živé elektrické přístroje atd.



- NIKDY se nepokoušejte zažehnout hořák, když je zavřené víko. Nahromadění nevznětlivého plynu uvnitř zavřeného přístroje je nebezpečné.
- Před přemístěním plynového válce z dané provozní polohy vždy vypněte plyn na válci a odpojte regulátor.
- Přístroj nikdy neprovozujte s plynovým válcem mimo správnou pozici.
- Přístroj nemodifikujte. Jakákoli modifikace je přísně zakázána. Uživatel nesmí manipulovat s utěsněnými díly. Nedemontujte vstříkovače.

Bezpečnostní tipy

- Před otevřením plynového válce zkontrolujte těsnost regulátoru.
- Když přístroj nepoužíváte, vypněte všechny kontrolky a plyn.
- Používejte grilovací příslušenství s dlouhou rukojetí a chňapky, abyste se vyhnuli popáleninám a postříkání horkým tukem. Při manipulaci s horkými součástmi používejte ochranné rukavice.
- Maximální zatížení plotýnky (pokud je k dispozici) a postranního regálu je 4,5 kg. Minimální průměr varné nádoby je 200 mm a maximální 260 mm.
POZNÁMKA: Gril NEMUSÍ být vybaven plotýnkou.
- Pokud je k dispozici kelímek na tuk, musí být vložen do přístroje a po každém použití vyprázdněn. Kelímek na tup nevyjímejte, dokud přístroj zcela nevychladne.
- Při otvírání víka buďte velmi opatrní, protože může dojít k úniku horké páry.
- Pokud jsou v blízkosti děti, starší osoby nebo domácí zvířata, buďte velmi opatrní.
- Pokud si všimnete, že z přístroje kape tuk nebo jiný horký materiál na ventil, hadici nebo regulátor, vypněte ihned dodávku plynu. Určete příčinu, napravte ji a potom vyčistěte a zkontrolujte ventil, hadici a regulátor. Teprve potom pokračujte. Provedte test na únik.
- Neuchovávejte objekty ani jiné materiály uvnitř krytu vozíku přístroje. Tím by došlo k zablokování průtoku spalovaného vzduchu do spodní strany ovládacího panelu nebo misky plamenice.
- NEODPOJUJTE ani nevyměňujte plynový kontejner ve vzdálenosti do 3 metrů od otevřeného ohně nebo jiného zdroje vznícení.

Umístění válce

Válce nemohou být umístěny pod nebo do spotřebiče. Válce mají být umístěny na boční a zadní straně přístroje. Válce jsou, že je maximální průměr 345mm a maximální výška 600 mm. Válců umístěných na zemi nesmí být umístěna pod varnou deskou.

Požadavky na regulátor.

S tímto přístrojem je nutné používat regulátor. Používejte pouze plynový regulátor dodaný s grilem. Pokud regulátor není součástí dodávky, používejte pouze regulátor certifikovaný podle normy EN16129 (maximální rychlost průtoku 1,5 kg/h) a schválený jako regulátor pro vaši zemi a plyn specifikovaný v části Technické údaje.

Požadavky na hadici

Používejte pouze schválenou hadici certifikovanou podle příslušné normy EN, jejíž délka nepřekračuje 1,5 m. Ve Finsku nesmí být hadice delší než 1,2 m.



Před každým použitím zkontrolujte, zda nejsou hadice uříznuté nebo opotřebené. Zkontrolujte, zda není hadice ohnutá. Zajistěte, aby se připojená hadice nedotýkala žádných teplých povrchů. Před použitím přístroje vyměňte poškozené hadice. Hadici vyměňujte v souladu s místními požadavky.

Zapálení podpalovače

- Při zapalování se nenaklánějte nad gril.

1. Otočte ventily ovládání plynového hořáku do polohy ○ (vypnuto).
2. Během zapalování nebo opětovného zapalování otevřete víko.
3. Zapněte plyn na válci LP.
4. Při zapalovací hořákočte knoflík hořáku do polohy ♣ VYSOKÉ. Ihned stiskněte a podržte tlačítko ELECTRONIC IGNITOR (elektrické zapalování) a počkejte na zažehnutí hořáku.
5. Pokud se hořák NEZAŽEHNE během 5 sekund, vypněte kontrolky hořáku ○, počkejte 5 minut a proces zapalování zopakujte.
6. Zapálit zbývající hořáky, zatlačte a otočením knoflíku do polohy HIGH počínaje hořáky nejbliže k zapalování hořáku jako první.

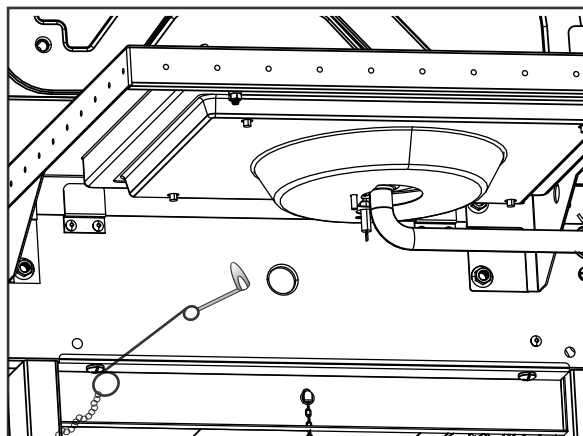
	VAROVÁNÍ	
Když kontrolky a plynový válec nepoužíváte, vypněte je.		

	UPOZORNĚNÍ	
Pokud se hořák NEZAŽEHNE během 5 sekund, vypněte kontrolky hořáku ○, počkejte 5 minut a proces zapalování zopakujte. Pokud se hořák nezažehne při otevřeném ventilu, bude dál proudit plyn z hořáku a může dojít k jeho náhodnému vzplanutí. To s sebou nese riziko poranění.		

Použití zápalek


- Při zapalování se nenaklánějte nad gril.



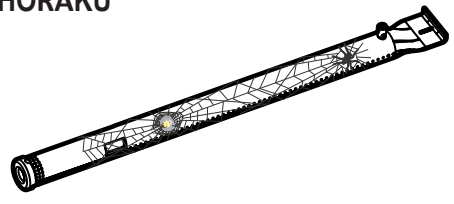
1. Otočte ventily ovládání plynového hořáku do polohy ○ (vypnuto).
2. Během zapalování nebo opětovného zapalování otevřete víko.
3. Zapněte plyn na válci LP.
4. Zápalky položte na držák (na boční straně grilu). Škrtněte zápalkou a potom zažehněte hořák vložením zápalky do otvoru na zápalku na boční straně grilu. Ihned otočte knoflík hořáku do polohy ♣ VYSOKÁ. Ujistěte se, že se hořák zapálil a zůstal zapálený.
5. Postupně zapalujte sousedící hořáky stisknutím tlačítek a otočením do polohy ♣ VYSOKÁ.



Testování ventilů, hadice a regulátoru na únik plynu

Test úniku provádějte před prvním použitím, nejméně jednou ročně a při každé výměně nebo odpojování válce.

1. Přesuňte všechny ovládací knoflíky na přístroji do polohy .
2. Ujistěte se, že je regulátor těsně připevněný k plynovému válci.
3. Zapněte plyn. Pokud uslyšíte syčivý zvuk, ihned plyn vypněte. Ve spoji dochází k zásadnímu úniku. Než budete pokračovat, závadu opravte.
4. Očistěte spoje hadiček kartáčkem s mýdlovým roztokem (směs vody a mýdlového roztoku v poměru 1:1).
5. Pokud se objeví narůstající počet bublin, dochází k úniku. Ihned vypněte plyn ve válci a zkontrolujte těsnost spojů. Pokud únik nelze zastavit, nepokoušejte se o opravu. Vyžádejte si náhradní díly.
6. Po provedení testu úniku vždy vypněte plyn ve válci.

	UPOZORNĚN	
UPOZORNĚNÍ NA PAVOUKY!		
PAVOUCI A PAVUČINY UVNITŘ HOŘÁKU		
		
Pokud se vám gril nesnadno zapaluje nebo je slabý plamen, zkontrolujte a vyčistěte Venturiho trubice a hořáky.		
Je známé, že pavouci nebo malý hmyz způsobují problémy se „zpětným výšlehem plamene,“ protože si budují hnízda a nechávají vajíčka ve Venturiho trubici nebo hořácích a blokují tak průtok plynu. Nahromaděný plyn může za ovládacím panelem vzplanout. Tento zpětný výšleh plamene může gril poškodit a způsobit poranění. Pro zabránění zpětného výšlehu plamene a zajištění správného výkonu je vhodné vyjmout sestavení hořáku a Venturiho trubice a vyčistit je pokaždé, když byl gril delší dobu v nečinnosti.		

POKUD NENÍ MOŽNÉ ZAPÁLIT PLYN

- Ujistěte se, že je ve válci zapnutý přívod plynu.
- Ujistěte se, že je ve válci plyn.
- Ozývá se ze zapalovače zvuk jiskření?
Pokud ano, zkontrolujte, zda jsou jiskry u hořáku.
Pokud ne, zkontrolujte, zda nejsou poškozené nebo uvolněné dráty.
- Pokud jsou dráty v pořádku, zkontrolujte, zda není prasklá nebo zlomená elektroda a v případě potřeby ji vyměňte.
- Pokud jsou na drátech nebo elektrodách zbytky po vaření, vyčistěte v případě potřeby hrot elektrody ubrouskem namočeným v alkoholu.
- Pokud to bude potřeba, vyměňte dráty.
- Pokud se neozývá žádný zvuk, zkontrolujte baterii.
- Ověřte, zda je baterie správně vložená.
- Zkontrolujte, zda nejsou uvolněné spoje drátů v modulu a spínači.
- Pokud zapalovač stále nefunguje, použijte zápalky.

Čištění sestavy hořáku

Podle následujících pokynů vyčistíte nebo vyměňte díly sestavy hořáku. Tento postup proveďte také v případě, že máte problém se zažehnutím plamene.

1. **Vypněte plyn na ovládacích knoflících a válci LP.**
2. Sundejte grilovací mřížky a tepelné stany.
3. Sundejte propouštěcí trubky a prvky zajišťující hořáky.
4. Odpojte z hořáku elektrodu.

POZNÁMKA: Způsob demontáže závisí na konfiguraci hořáku. Viz různé konfigurace na následujících obrázcích.

5. Opatrně zažehněte jednotlivé hořáky směrem nahoru a mimo otvory ventilů. Trubky hořáku doporučujeme čistit jedním ze tří způsobů. Vyberte si ten, který považujete za nejjednodušší.

A. Vytvarujte pevný drát (vhodné je třeba drátěné ramínko na šaty) do malého háčku. Několikrát háček protáhněte jednotlivými trubicemi hořáků.



B. Použijte tenký kartáček na láhve s pružnou rukojetí (nepoužívejte mosazný drátový kartáč). Několikrát kartáček protáhněte jednotlivými trubicemi hořáků.

C. Používejte ochranu očí: Vzduchovou hadicí foukejte vzduch do trubice hořáku a ven z otvorů hořáků. Zkontrolujte u každého otvoru, zda vychází vzduch ven.

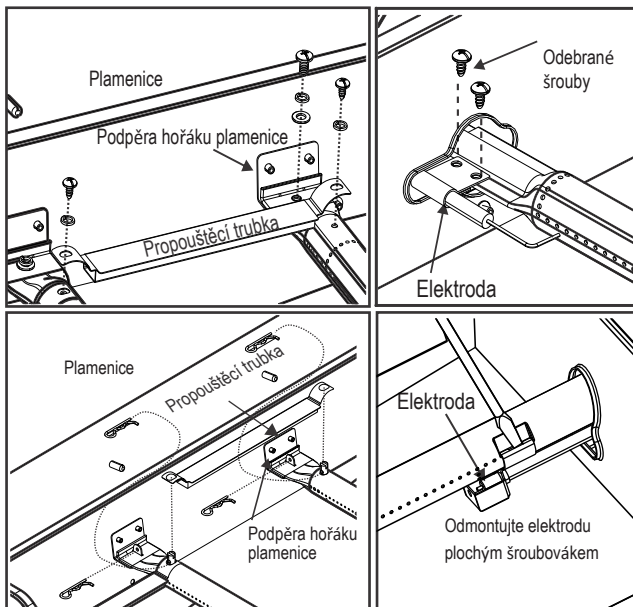
6. Drátěným kartáčkem otřete celý vnější povrch hořáku k odstranění zbytků jídla a nečistot.
7. Jakékoli zablokované otvory vyčistíte pevným drátem, například rozevřenou svorkou na papír.
8. Zkontrolujte, zda není hořák poškozený v důsledku běžného opotřebení a koroze. Některé otvory mohou být zvětšené. Pokud najdete velké praskliny nebo díry, hořák vyměňte.

VELMI DŮLEŽITÉ: Trubice hořáku musí znovu zapadnout do otvorů ventilů. Viz obrázek napravo.

Správné zapojení hořáku k ventilu



9. Připojte k hořáku elektrodu.
10. Opatrně nasadte hořáky.
11. Připojte hořáky ke konzolám na plamenici.
12. Znovu nasadte propouštěcí trubky a připojte je k hořákům. Nasadte zpět tepelné stany a grilovací mřížky.
13. Před dalším použitím grilu proveďte *test úniku a kontrolu plamene hořáku*. and "Burner Flame Check".



Skladování přístroje

- Vyčistěte grilovací mřížky.
- Uchovejte je na suchém místě.
- Když je k přístroji připojen plynový válec, uchovávejte jej venku v řádně větraném prostoru a mimo dosah dětí.
- Pokud přístroj uchováváte venku, přikryjte ho.
- Přístroj uchovávejte uvnitř, POUZE pokud je plynový válec vypnutý a odpojený, vyjmutý z přístroje a uchovávaný venku.
- Při vyjímání přístroje z úložného prostoru zkontrolujte, zda nejsou hořáky blokovány.

Obecné postupy při čištění

- Přístroj často čistěte, ideálně po každém použití. Pokud k čištění jakéhokoli varného povrchu přístroje používáte štětinový kartáček, ověřte, zda na povrchu nezůstaly nějaké štětiny. Teprve potom zahajte grilování. Nedoporučujeme čistit varný povrch, když je přístroj horký. Přístroj je nutné čistit nejméně jednou ročně.
- Dejte pozor, abyste nezaměnili hnědý nebo černý nános tuku a kouře za lak. Vnitřní stěny plynových grilů nejsou z výroby nalakované (a není vhodné je lakovat). Na čištění vnitřní a spodní strany přístroje použijte silný roztok mycího prostředku a vody nebo čistící přístroje a kartáček.
- Opláchněte a nechte uschnout na vzduchu. Na lakované plochy nepoužívejte žíravé přípravky ani čističe trouby.
- Plastové díly: Omyjte teplou mýdlovou vodou a osušte.
- Na plastové díly nepoužívejte citrisol, abrazivní čisticí prostředky, odmašťovače nebo koncentrované čisticí prostředky. Mohlo by dojít k poškození těchto dílů a jejich závadě.
- Porcelánové plochy: Většinu usazenin tvoří tukové složky, takže je lze otřít roztokem jedlé sody s vodou nebo speciálně složeným čisticím přípravkem. Na odolné skvrny použijte neabrazivní prášek.
- Lakované plochy: Umyjte mírným roztokem nebo neabrazivním čisticím prostředkem a teplou mýdlovou vodou. Utřete do sucha suchým neabrazivním hadříkem.
- Plochy z nerezové oceli: Pro zachování kvalitního vzhledu přístroje doporučujeme umývat ho mírným roztokem čisticího prostředku a teplé mýdlové vody a utřít dosucha jemným hadříkem po každém použití.
- Spečený tuk může vyžadovat použití abrazivní plastové čisticí utěrky. Používejte pouze ve směru brusného povrchu, aby nedošlo k poškození. Abrazivní utěrku nepoužívejte na oblastech s obrázkem.
- Varné plochy: Pokud k čištění jakéhokoli varného povrchu přístroje používáte štětinový kartáček, ověřte, zda na povrchu nezůstaly nějaké štětiny. Teprve potom zahajte grilování. Nedoporučujeme čistit varný povrch, když je přístroj horký.

Nerezová ocel

Za nerezovou ocel je považována spousta různých typů (slitin) materiálů. Běžnou vlastností těchto různých typů je, že mohou korodovat (oxidovat) v závislosti na podmínkách, kterým jsou vystaveny.

To platí i pro váš nový gril.

Pro zajištění zachování vzhledu a funkčnosti grilu po mnoho let se prosím řiďte následujícími radami.

- 1) Pokud se gril namočí nebo zvlhne, utřete ho dosucha utěrkou. Tím předejdete zrezivění jeho povrchu.
- 2) Nerezová ocel může za určitých podmínek korodovat. Důvodem mohou být vnější podmínky jako chlorovaná nebo slaná voda nebo nesprávné nástroje k čištění, například drátěný kartáč nebo drátěnka. Může také nastat ztráta barvy v důsledku tepla, chemikálií nebo hromadění tuku.
- 3) Pro zachování kvalitního vzhledu přístroje doporučujeme umývat ho mírným roztokem čistícího prostředku a teplé mýdlové vody a utřít dosucha jemným hadříkem po každém použití. Spečený tuk může vyžadovat použití abrazivní plastové čistící utěrky. Používejte pouze ve směru brusného povrchu, aby nedošlo k poškození. Abrazivní utěrku nepoužívejte na oblastech s obrázkem.
- 4) Vnitřní části a mřížky grilu natřete tukem na vaření.

Poznámka:

Z důvodu zabránění poškrábání povrchu, který by připravil základ pro korozi, k čištění nerezové oceli nikdy nepoužívejte drátěnku ani podobné nástroje.

Při čištění postupujte ve stejném směru, v jakém je kartáčovaná nerezová ocel – „po srsti“. Čištění abrazivními prostředky může zanechat škrábance.

Uchovávání grilu v blízkosti pobřeží, bazénu nebo sauny způsobí korozi (oxidaci) grilu.

Pro zajištění ochrany před korozí gril přikryjte.

TECHNICKÉ
ÚDAJE CHAR-
BROIL, LLC

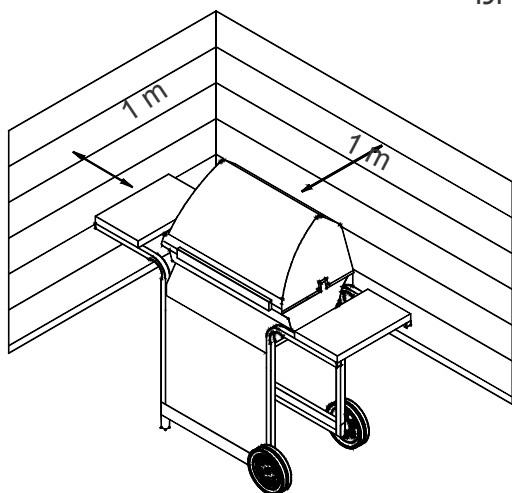
Název přístroje	Plynový gril			
Celkový nominální teplotní vstup	8.21kW (597 g/h)			7,03kW (512 g/h)
Kategorie plynu	I3+(28-30/37)	I3B/P(30)	I3B/P(50)	
Č. modelu	468402118			468401118
Typ plynu	Butan	Propan	Butan, propan nebo jejich směsi	Butan, propan nebo jejich směsi
Tlak plynu	28–30 mbar	37 mbar	30 mbar	50 mbar
Velikost vstřikovače (průměr mm)	Rošt: 1,03 x 2 ks		Rošt: 1,03 x 2 ks	Rošt: 0,80 x 2 ks
	Plotýnka: neuvedeno		Plotýnka: neuvedeno	Plotýnka: neuvedeno
Určeno pro země:	GB, FR, BE, ES, IT, PT, CZ, SK		DK, NO, NL, SE, FI, IS, CZ, IT, SK	AT, DE, CH, LU

1,5 VDC baterie

⚠ אזהרה ⚠

לשימוש בטוח במכשיר שלך וכדי להימנע מפגיעות חמורות: השתמש בחוץ בלבד. אין להשתמש במקומות סגורים. קרא את ההנחיות לפני השימוש במכשיר. יש לפעול תמיד לפי ההנחיות הללו

- אין להזיז את המכשיר במהלך השימוש.
- חלקים נגישים עלולים להיות חמים מאוד. יש להרחיק ילדים. אין לאפשר לילדים להשתמש או לשחק בקרבת המכשיר.
- יש לכבות את אספקת הגז בצינור לאחר השימוש.
- יש לשמור את המכשיר הרחק מחומרים דליקים במהלך השימוש.
- אין לחסום את החורים בצדי המכשיר או בחלקו האחורי.
- יש לבדוק את להבות המבער באופן קבוע.
- אין לחסום את פתחי הוונטורי במבער.
- יש להשתמש במכשיר רק במקום מאוורר היטב. אין להשתמש בחללים סגורים כמו חניון, מוסך, מרפסת, פטיו סגור או תחת מבנה מכוסה מכל סוג.
- אין להשתמש בפחם או בלבנים קרמיות במכשיר גז.
- **אין לכסות את הרשתות בנייר אלומיניום או בכל חומר אחר.** זה יחסום את אוורור המבער ועלול לגרום למצב מסוכן שיוביל לנזק לרכוש ו/או לפגיעה.
- **יש להשתמש במכשיר במרחק של 1 מ' לפחות מקיר או משטח כלשהו.**
- יש לשמור על מרחק של 3 מ' מחפצים שעלולים להתלקח או מקורות הצתה כמו מצתים במיחמי מים, מכשירי חשמל וכו'



- אין להצית את המבער כאשר המכסה סגור. הצטברות גז לא מוצת במכשיר סגור היא מסוכנת.
- יש לכבות תמיד את הגז בבלון ולנתק את הווסת לפני העברת בלון הגז ממצב הפעלה מסוים.
- אין להשתמש במכשיר כאשר בלון הגז אינו ממוקם במקום המתאים.
- אין לשנות את המכשיר. כל שינוי הוא אסור בהחלט. אסור למשתמש לתקן חלקים אטומים. אין לפרק מזרקים.

מתקין/מרכיב:

השאר את המדריך אצל הלקוח.

לקוח:

שמור את המדריך על מנת לעיין בו בעתיד.

שאלות:

אם יש לך שאלות במהלך ההרכבה או השימוש במכשיר צור קשר עם הסוכן המקומי שלך.

⚠ סכנה ⚠

אם אתה מריח גז:

1. סגור את אספקת הגז למכשיר.
2. כבה להבות חשופות.
3. פתח את המכסה.
4. אם הריח נמשך, התרחק מהמכשיר וצור קשר עם ספק הגז שלך או עם מכבי האש באופן מיידי.

⚠ אזהרה ⚠

1. אין לאחסן או להשתמש בדלק או בנוזלים דליקים אחרים בסמוך למכשיר זה או כל מכשיר אחר.
2. אין לאחסן צינור גז שאינו מחובר בסמוך למכשיר זה או כל מכשיר אחר.

⚠ זהירות ⚠

- קרא ופעל בהתאם לכל הזהרות הבטיחות, הוראות ההרכבה, והנחיות השימוש והטיפול לפני ההרכבה והבישול.
- חלקים מסוימים עלולים להכיל קצוות חדים. מומלץ ללבוש כפפות מגן.

שריפות שמן

- לא ניתן לכבות שריפות שמן על ידי סגירת המכסה. הגריל מאוורר היטב לצורכי בטיחות.
- אין להשתמש במים על שריפות שמן, זה עלול לגרום לפציעות. אם מתרחשת שריפת שמן ממושכת, סובב את הידיות וסגור את בלון הגז.
- אם המכשיר לא עובר ניקוי באופן קבוע, עלולה לפרוץ שריפת שמן שתפגע במוצר. שים לב בעת חימום מראש או שריפה של שאריות מזון שלא פורצת שריפת שמן. עקוב אחר ההנחיות לניקוי המכשיר ולניקוי רכיב המבער על מנת למנוע שריפות שמן. הדרך הטובה ביותר למנוע שריפות שמן היא באמצעות ניקוי תכוף של המכשיר.
- אין להשאיר את הגריל ללא השגחה בזמן חימום מראש או שריפות שאריות מזון ב- HI. אם הגריל לא עובר ניקוי באופן קבוע, עלולה לפרוץ שריפת שמן שתפגע במוצר.

הצתת המבער

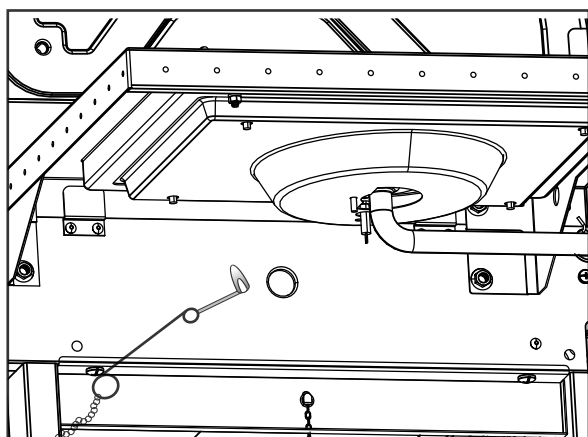
- אין להישען מעל הגריל במהלך ההצתה.
- 1. העבר את שסתומי הבקרה של מבער הגז למצב (ICON) (כבוי) .
- 2. פתח את המכסה במהלך ההצתה או ההצתה מחדש.
- 3. הפעל את הגז בבלון LP .
- 4. כדי להצית, לחץ על לחצן הצתה והפעל אותו לזמן קצר.
- מיד לאחר מכן, לחץ והחזק את לחצן המצת האלקטרוני עד שהמבער ניצת.
- 5. אם לא מתרחשת הצתה בתוך 5 שניות, סובב את בקרי המבער למצב כבוי (ICON) (המתן 5 דקות וחזור על הליך ההצתה).
- 6. כחדי להצית נותרו צורבים, לדחוף ולהפוך כפתור למצב HIGH החל הצורבים קרובים מבער ההצתה הראשונה..



אם לא מתרחשת הצתה בתוך 5 שניות, סובב את בקרי המבער למצב כבוי ○, המתן 5 דקות וחזור על הליך ההצתה. אם המבער לא ניצת כאשר הווסת פתוח, הגז ימשיך לזרום מחוץ למבער ועלול להיות מוצת בטעות ולגרום לפציעה.

הדלקה באמצעות גפרורים

- אין להישען מעל הגריל במהלך ההצתה.
- 1. סובב את שסתומי הבקרה של מבער הגז למצב ○ (כבוי).
- 2. פתח את המכסה במהלך ההצתה או ההצתה מחדש.
- 3. הפעל את הגז בבלון LP.
- 4. הנח גפרור במעמד הגפרורים (תלוי מהפאנל הצדדי של הגריל). הדלק גפרור; אז הצת את המבער באמצעות הנחת הגפרור בחור המיועד לגפרורים בצד הגריל. מיד לאחר מכן, לחץ והחזק את ידית המבער למצב גבוה וודא שהמבער ניצת ונשאר דולק.
- 5. הצת מבערים סמוכים לפי הסדר באמצעות לחיצה וסיבוב של הידיות למצב גבוה ו



- לפני פתיחת שסתום הגז בבלון, וודא שהווסת מהודק.
- כאשר המכשיר אינו בשימוש, כבה את כל הידיות והגז.
- השתמש בכלי גריל בעלי ידית ארוכה ובכפפות לתנור כדי להימנע מכוויות ונתזים. השתמש בכפפות מגן בעת מגע עם רכיבים חמים.
- המשא המקסימלי לפלטה החמה, אם יש, ולמדף הצדדי הוא 4.5 ק"ג. קוטר כלי הבישול המינימלי הוא 200 מ"מ, והמקסימלי הוא 260 מ"מ. שים לב: לא ניתן להוסיף פלטה חמה לגריל שלך!
- הכנס את כוס השמן (אם יש) למכשיר ורוקן אותה לאחר כל שימוש. אין להסיר את כוס השמן עד שהמכשיר התקרר לחלוטין.
- היזהר בעת פתיחת המכסה, עלולים לצאת אדים חמים.
- היזהר בסביבת ילדים, קשישים או חיות מחמד.
- אם אתה מבחין בנזילה של שמן או חומרים חמים אחרים מהמכשיר על שסתום, צינור או ווסת, כבה את אספקת הגז באופן מיידי. מצא את המקור, תקן אותו, ואז נקה ובדוק את השסתום, הצינור והווסת לפני שתמשיך. בצע בדיקת דליפות.
- אין לאחסן חפצים או חומרים בתוך כיסוי עגלת המכשיר שעלולים לחסום את הזרימה של אוויר השריפה לחלק התחתון של לוח הבקרה או של קערת הבעירה.
- אין לנתק או לשנות את מיכל הגז במרחק של 3 מ' מלהבה חשופה או מקור הצתה אחר.

מיקום הבלון

צילינדרים לא ניתן למקם מתחת או בתוך המכשיר. צילינדרים יוכנסו אל הצד ומאחור של המכשיר. צילינדרים הם להיות קוטר מרבי של 345 מ"מ וגובה מרבי של 600 מ"מ. צילינדרים מונחים על הקרקע לא יועמדו תחת הצלחת החמה..

דרישות הווסת

יש להשתמש בווסת במכשיר זה. השתמש רק בווסת שמגיע עם הגריל. אם לא קיבלת ווסת השתמש רק בווסת המורשה בהתאם ל- (EN16129 קצב זרימה מקסימלי 1.5 ק"ג/ש') שמאושר במדינה שלך וגז שמופיע במידע הטכני

דרישות הצינור

השתמש רק בצינור המורשה בהתאם לתקן EN שאינו עולה על אורך של 1.5 מ'. בפינלנד, אורך הצינור לא יעלה על 1.2 מ'. לפני כל שימוש, וודא שהצינור אינו חתוך או בלוי. וודא שהצינור אינו מפותל. וודא שכאשר הצינור מחובר הוא אינו בא במגע עם משטחים חמים. החלף צינור פגום לפני השימוש במכשיר. החלף את הצינור בהתאם לדרישות במדינה.



סכנה



**עכבישים ורשתות
בתוך המבער**



אם קשה להדליק את הגריל או שהלהבה חלשה, בדוק ונקה את פתחי הוונטורי והמבערים. עכבישים או חרקים קטנים נוטים לגרום לבעיות של עיכוב הצתה כאשר הם מקימים קנים ומטילים ביצים בפתחי הוונטורי או במבער של הגריל וחוסמים את מעבר הגז. הגז המצטבר עלול להיות מוצת מאחורי לוח הבקרה. העיכוב הזה בהצתה עלול לפגוע בגריל ולגרום לפגיעה על מנת למנוע עיכובים בהצתה ולוודא שהביצועים יהיו תקינים, יש להסיר ולנקות את המבער ואת צינורות הוונטורי לאחר שהגריל עמד ללא שימוש לתקופה ממושכת.

- בדיקת דליפה לשסתומים, לצינור ולווסת בדוק דליפות לפני השימוש הראשון, לפחות פעם בשנה, ובכל פעם שיש החלפה או ניתוק של הבלון.
1. העבר את כל הידיות במכשיר למצב O.
 2. וודא שהווסת מחובר בצורה הדוקה לבלון הגז.
 3. הפעל את הגז. אם אתה שומע קול של בריחה, כבה את הגז באופן מידי. יש דליפה משמעותית בחיבור. תקן לפי שתמשיך.
 4. הברש תמיסת סבון (תערובת של חצי סבון וחצי מים) על חיבורי הצינור.
 5. אם מופיעה בועה, יש דליפה. כבה את הגז בבלון באופן מידי ובדוק א החיבורים הדוקים. אם לא ניתן לעצור את הדליפה, אל תנסה לתקן. הזמן חלקי חילוף.
 6. תמיד כבה את הגז בבלון לאחר ביצוע בדיקת הדליפות.

אם לא ניתן להפעיל את המכשיר

- וודא שהגז בבלון מופעל.
- וודא שיש גז בבלון.
- האם המצת משמיע קול של הצתה?
אם כן, חפש ניצוץ במבער.
- אם אין ניצוץ, חפש חוטים פגומים או רפויים.
- אם החוטים בסדר חפש אלקטרודה סדוקה או שבורה, החלף במקרה הצורך.
- אם החוטים או האלקטרודות מכוסים בשאריות מזון, נקה את קצה האלקטרודה עם מטלית אלכוהול במקרה הצורך.
- אם יש צורך, החלף את החוטים.
- אם אין צליל, בדוק את הסוללה.
- וודא שהסוללה ממוקמת כראוי.
- חפש חיבורים רפויים של החוטים במודול והחלף.

ניקוי חלקי המבער

- פעל בהתאם להנחיות הללו לניקוי ו/או החלפת חלקי המבער או במקרה שיש לך בעיות בהצתת המבער.
- 1. כבה את הגז בידידות הבקרה ובבלון LP.**
- 2. הסר את רשתות הבישול ואוהלי החום.
- 3. הסר את צינורות ההעברה ואת מבערי אבטחת החומרה.
- 4. נתק את האלקטרודה מהמבער.
- הערה:** שיטת ההסרה/הניתוק תלויה בתצורת המבער. ראה תצורות שונות באיור בהמשך.
- 5.

אחסון המכשיר

- נקה את רשתות הבישול.
- אחסן במקום יבש.
- כאשר בלון גז מחובר למכשיר, אחסן בחוץ באזור מאוורר היטב ומחוץ להישג ידם של ילדים.
- כסה את המכשיר אם הוא מאוחסן בחוץ.
- אחסן את המכשיר בפנים רק אם בלון הגז כבוי ומנותק, מוסר מהמכשיר ומאוחסן בחוץ.
- כאשר אתה מוציא את המכשיר מאחסון, בדוק אם יש חסימה במבערים.

ניקוי כללי של המכשיר

- נקה את המכשיר לעיתים קרובות, עדיף לאחר כל שימוש. אם אתה משתמש במברשת עם זיפים לניקוי משטחי הבישול של המכשיר, וודא שלא נשארים זיפים על משטח הבישול לפני השימוש בגריל. לא מומלץ לנקות את משטח הבישול כאשר המכשיר חם. יש לנקות את המכשיר לפחות פעם בשנה.
- אל תטעה לחשוב שהצטברויות חומות או שחורות של שמן או עשן הן צבע. החלקים הפנימיים של גריל גז לא עוברים נצבעים במפעל (ואין לצבוע אותם). השתמש בתמיסה חזקה של חומר ניקוי ומים או השתמש בחומר הניקוי של המכשיר ושפשף באמצעות מברשת את החלקים הפנימיים של מכסה המכשיר ואת החלק התחתון. שטוף והשאר לייבוש מלא באוויר. אין להשתמש בחומר ניקוי קאוסטי למכשירים/תנורים על שטחים צבועים.
- חלקי פלסטיק: שטוף עם מי סבון חמים ונגב עד לייבוש.
- אין להשתמש בציטריזול, חומרי ניקוי חריפים, מסירי שומנים או חומרי ניקוי מרוכזים על חלקי פלסטיק. עלול להיגרם נזק וכשל של החלקים.
- משטחי חרסיה: בשל ההרכב דמוי הזכוכית, ניתן לנקות את רוב השאריות על ידי ניגוב האמצעות תמיסת סודה לשתייה/מים או חומר ניקוי מיוחד. השתמש באבקת ניקוי לא חריפה לכתמים קשים.
- משטחים צבועים: שטוף עם חומר ניקוי עדין או חומר ניקוי לא חריף ומי סבון חמים. נגב עד לייבוש עם בד עדין שאינו שורט.
- משטחי פלדת אל-חלד: על מנת לשמור על רמות ביצועים גבוהות של המכשיר, שטוף עם חומר ניקוי עדין ומי סבון חמים ונגב עד לייבוש עם בד רך לאחר כל שימוש.
- שאריות שמן שרוף עשויים לדרוש שימוש ברפידת ניקיון שעשויה מפלסטיק קשיח. השתמש רק בכיוון הגימור כדי להימנע מגרימת נזק. אין להשתמש ברפידות שוחקות על אזורים עם גרפיקה.
- משטחי בישול: אם אתה משתמש במברשת עם זיפים לניקוי משטח בישול כלשהו, וודא שלא נשארים זיפים על משטחי הבישול לפני השימוש בגריל. מומלץ לא לנקות את משטחי הבישול כאשר המכשיר חם.

א. כופף כבל קשיח (מתלה מעילים קל יתאים לכך) לצורה של וו קטן. העבר את הוו דרך כל אחד מצינורות המבער מספר פעמים.



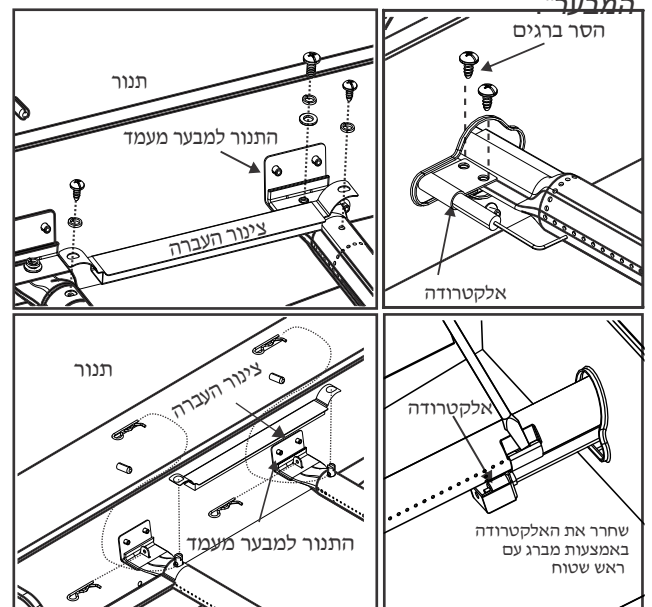
- ב. השתמש במברשת בקבוקים צרה עם ידית גמישה (אין להשתמש במברשת מחוטי פליז). העבר את המברשת דרך כל אחד מצינורות המבער מספר פעמים.
- ג. **השתמש במגן עיניים:** השתמש בצינור אוויר כדי להכניס אוויר לצינור המבער שיצא דרך יציאות המבער. בדוק כל יציאה כדי לוודא שהאוויר יוצא דרך כל חור.
- 6. נקה במברשת תיל את כל המשטח החיצוני של המבער כדי להסיר שאריות מזון ולכלוך.
- 7. נקה יציאות חסומות עם כבל קשיח כמו סיכת ביטחון פתוחה.
- 8. בדוק אם יש נזק למבער בשל בלאי טבעי וקורוזיה, חורים מסוימים עלולים להיות גדולים יותר. אם אתה מוצא סדקים או חורים גדולים, החלף את המבער.

חשוב מאוד: צינורות המבער צריכים לתאום את פתחי המסתמים. ראה איור מצד ימין.

התאמה נכונה של מבער-שסתום



- 9. חבר אלקטרודה למבער.
- 10. מקם מחדש את המבער בזהירות.
- 11. חבר את המבערים לסוגרים בתנור.
- 12. מקם מחדש את צינורות ההעברה וחבר אותם למבערים.
- מקם מחדש את אוהלי החום ורשתות הבישול.
- 13. לפני בישול בגריל, בצע "בדיקת דליפות" ו"בדיקת להבת המבער".



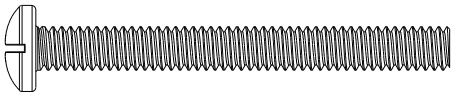
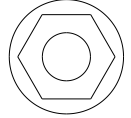
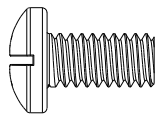
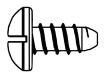
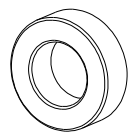
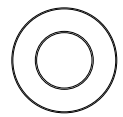
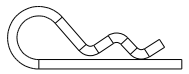
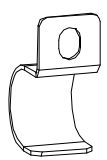
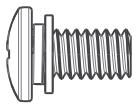
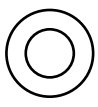
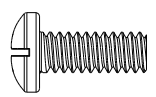
יש הרבה סוגים שונים) סגסוגות) של חומרים שנקראים פלדת אל-חלד. מאפיין נפוץ של הסוגים הללו הוא שהם עשויים להיאלל (להתחמצן), כתלות בתנאים הסובבים אותם. תנאי זה תקף לגריל החדש שלך גם כן. על מנת לוודא שהגריל שלך שומר על המראה והתפקוד שלו למשך שנים רבות, פעל בהתאם להמלצות הבאות: אם הגריל נרטב או נחשף ללחות, נגב אותו באמצעות בד יבש על מנת למנוע קורוזיה על פני השטח. (1) פלדת אל-חלד עלולה להחליד בתנאים מסוימים. זה יכול להתרחש במצבים סביבתיים מסוימים, כמו כלור או מי מלח, או בחשיפה (2) לכלי ניקיון לא מתאימים, כמו תיל או צמר פלדה. בנוסף, הוא יכול לאבד צבע בשל חשיפה לחום או לחומרים כימיים או בשל הצטברות שמן. כדי לשמור על המראה האיכותי של המכשיר שלך, שטוף אותו באמצעות חומר ניקוי עדין ומי סבון חמים ונגב באמצעות בד עדין (3) לאחר כל שימוש. יתכן שעל מנת להסיר משקעי שמן תצטרך להשתמש ברפידת ניקיון קשיחה מפלסטיק. השתמש רק בכיוון הגימור כדי להימנע מגרימת נזק. אין להשתמש ברפידה קשיחה על אזורים עם גרפיקה. שמן את החלקים הפנימיים של הגריל ואת הרשת באמצעות שמן בישול. (4) שים לב: כדי להימנע משריטה של המשטח ויצירת בסיס לחלודה, אין להשתמש בצמר פלדה או חומרים דומים בעת הניקיון של פלדת האל-חלד. בזמן הניקיון, עבוד בכיוון בו מוברשת פלדת האל-חלד – "עם הפסים". ניקיון עם חומרים קשיחים עלול לגרום לשריטות. אחסון של הגריל בקרבת חוף ים, בריכת שחיה או ספא תגרום לגריל להיאלל (להתחמצן). כסה את הגריל שלך על מנת להגן מפני חלודה.

מידע טכני
CHAR-BROIL, LLC

	ברביקיו גז / גריל גז		גריל גז / בר	
ק"ו 512ג/ש(7.03	8,21kW (597 g/h)		ביקיו	
I3B/P(50)	I3B/P(30)	I3+(28-30/37)	תפוקת חום נומינלי	
468401118	468402118		קטגוריית גז מספר דגם	
בוטאן, פרופן או תערובת שלהם	בוטאן, פרופן או תערובת שלהם	פרופן	בוטאן	סוג גז
מילי 50 בר	מילי 30 בר	מילי 37 בר	מילי 30-28 בר	לחץ גז
יח' 2 אברביקיו: 0.80	יח' 2 אברביקיו: 1.03	יח' 2 אברביקיו: 1.03		גודל המזרק (קוטר, מ"מ)
פלטת חמה: אין	פלטת חמה: אין	פלטת חמה: אין		
AT, DE, CH, LU	DK, NO, NL, SE, FI, IS, CZ, IT, SK	GB, FR, BE, ES, IT, PT, CZ, SK		מדינות היעד

VDC 1.5 סוללה

HARDWARE LIST

Key	Description	Picture	Qty
A	1/4-20X2-3/8" Machine Screw		4
B	1/4-20 Flange Nut		6
C	1/4-20X1/2" Screw		17
D	#8X3/8" Sheet Metal Screw		8
E	Axle Spacer		2
F	Axle Washer		1
G	Hitch Pin		1
H	Regulator Hose Clip		1
J	#10X1/2" Screw Assembly		6
K	6.5mm Al Flat Washer		2
L	#10-24X1/2" Machine Screw		4

PARTS LIST

Key	Qty	Description
1	1	TOP LID
2	1	LOGO PLATE F/ LID
3	4	RUBBER BUMPER, W/ HOLE, F/ TOP LID
4	1	HANDLE F/ LID
5	1	TEMPERATURE GAUGE
6	1	BEZEL, F/ TEMP GAUGE
7	1	HARDWARE F/ TOP LID ASSEMBLY
8	1	FIREBOX
9	2	BURNER BRACE
10	2	MAIN BURNER
11	1	ELECTRODE, F/ MAIN BURNER
12	1	CARRYOVER TUBE
13	1	CONTROL PANEL, MAIN
14	1	LOWER CONTROL PANEL
15	1	ELECTRONIC IGNITION MODULE
16	1	BUTTON, F/ IGNITION MODULE
17	1	SHIELD, F/ EI MODULE
18	1	HOSE VALVE ASSEMBLY
19	2	BEZEL F/ CONTROL KNOB
20	2	CONTROL KNOB
21	1	LEFT SIDE SHELF
22	1	RIGHT SIDE SHELF
23	1	FASCIA, F/ RIGHT SHELF
24	1	FASCIA, F/ LEFT SHELF
25	2	HEAT TENT
26	1	COOKING GRATE
27	1	COOKING GRATE (NARROW)
28	1	SWINGAWAY RACK
29	1	CART SIDE PANEL, LEFT
30	1	CART SIDE PANEL, RIGHT
31	1	REAR CART BRACE
32	1	BOTTOM SHELF
33	1	GREASE TRAY
34	1	GREASE PAN
35	2	WHEEL
36	1	AXLE
37	4	LEG CAP
38	2	END CAP
39	1	MATCH HOLDER

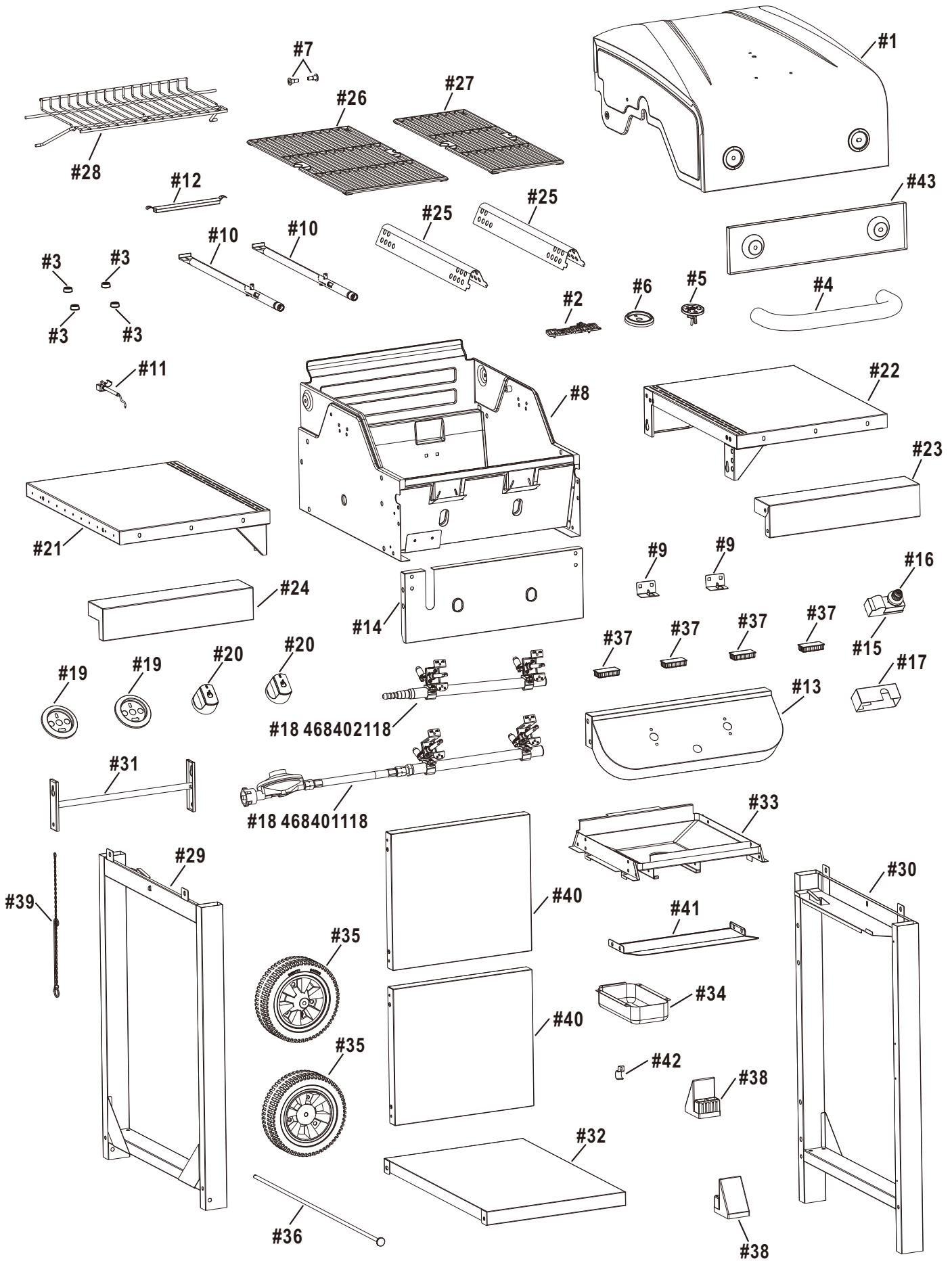
Key	Qty	Description
40	2	FRONT PANEL
41	1	HEAT SHIELD, F/ TANK
42	1	REGULATOR HOSE CLIP
43	1	HEAT SHIELD, F/HANDLE

NOT Pictured

...	1	HARDWARE PACK
...	1	PRODUCT GUIDE, EUROPE

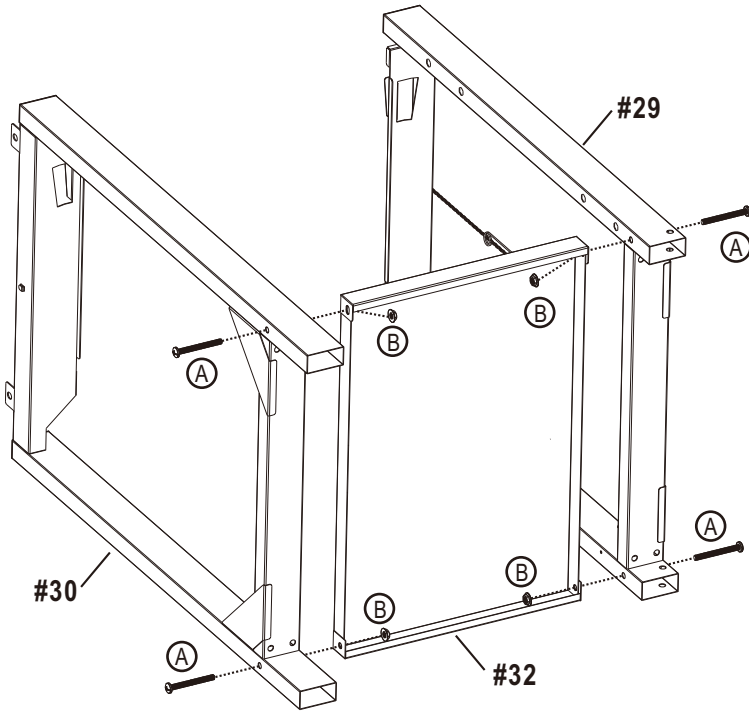
NOTE: Some grill parts shown in the assembly steps may differ slightly in appearance from those on your particular grill model. However, the method of assembly remains the same.

PARTS DIAGRAM

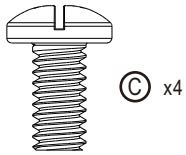


ASSEMBLY

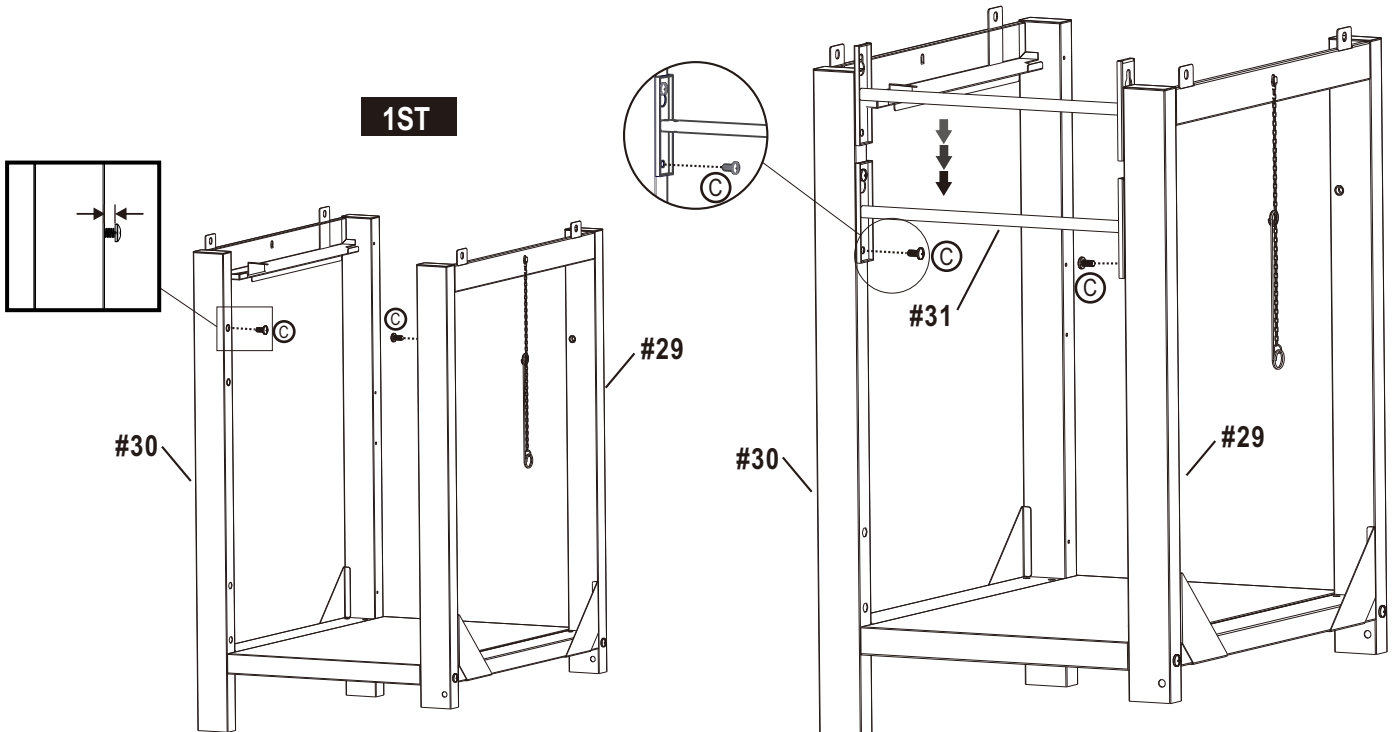
1



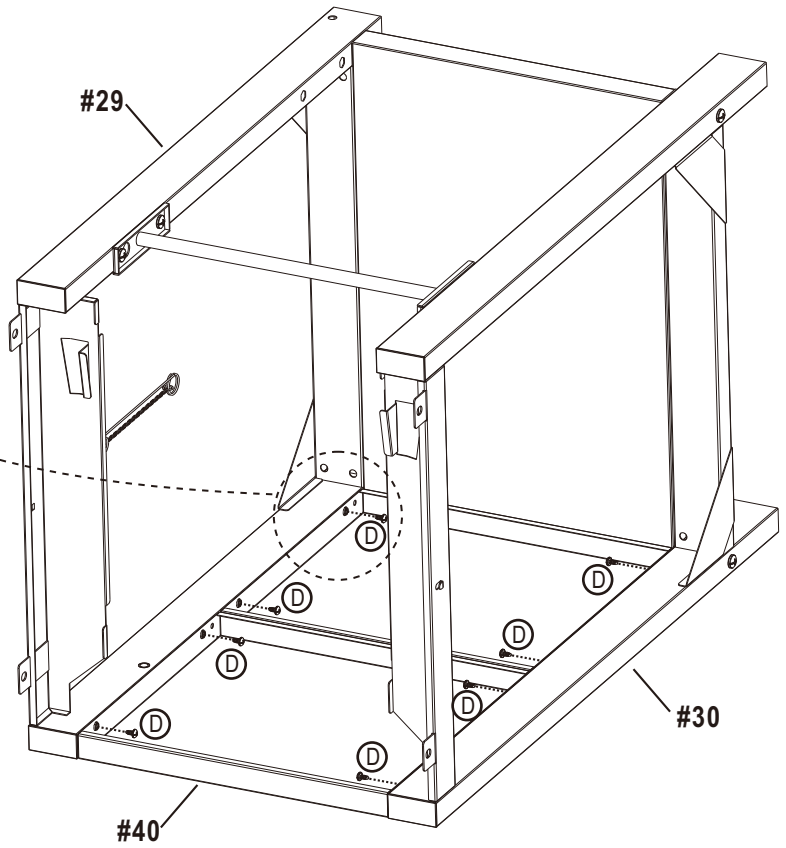
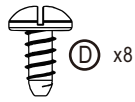
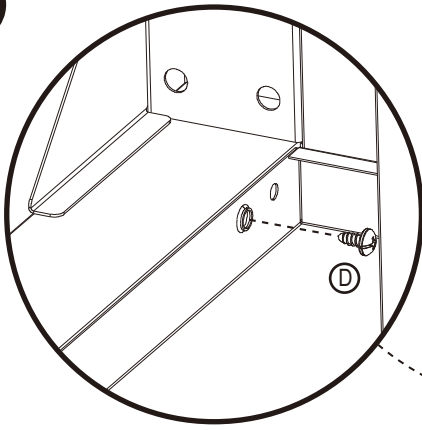
2



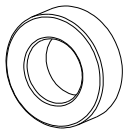
2ND



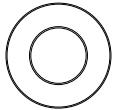
3



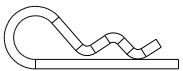
4



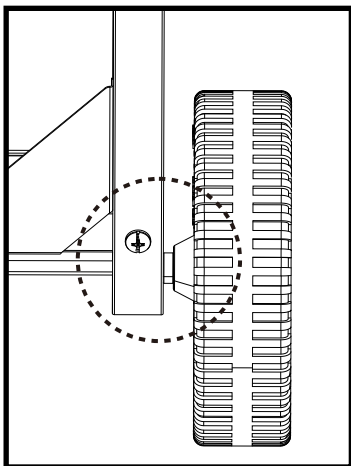
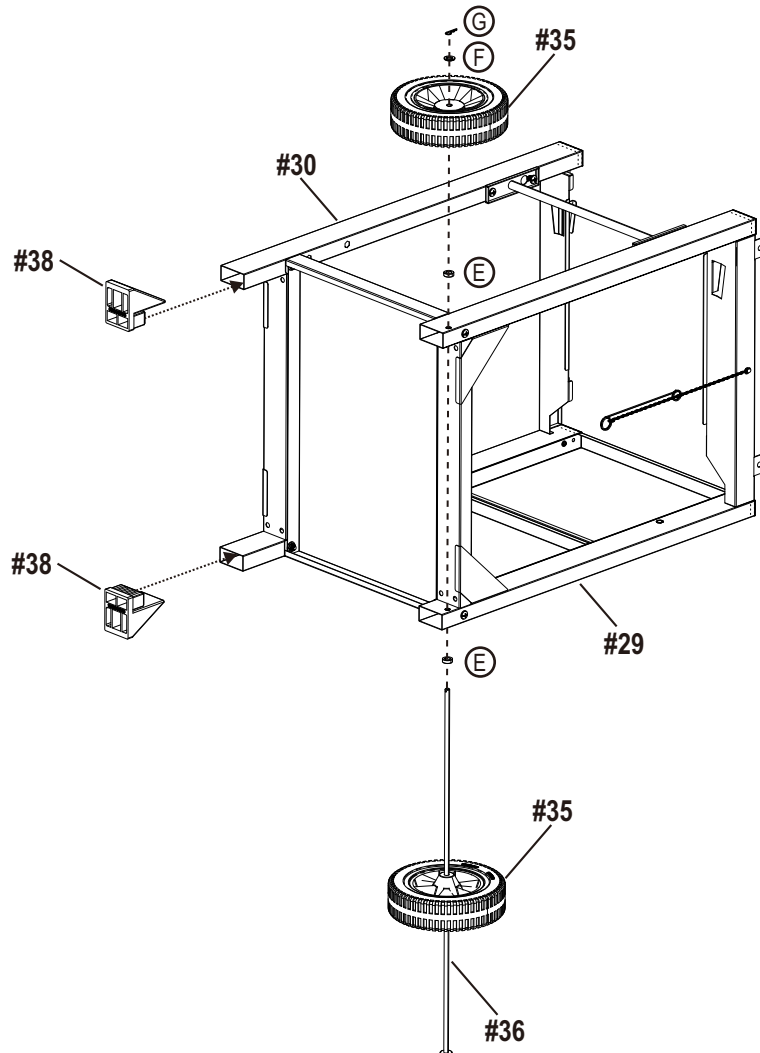
E x2



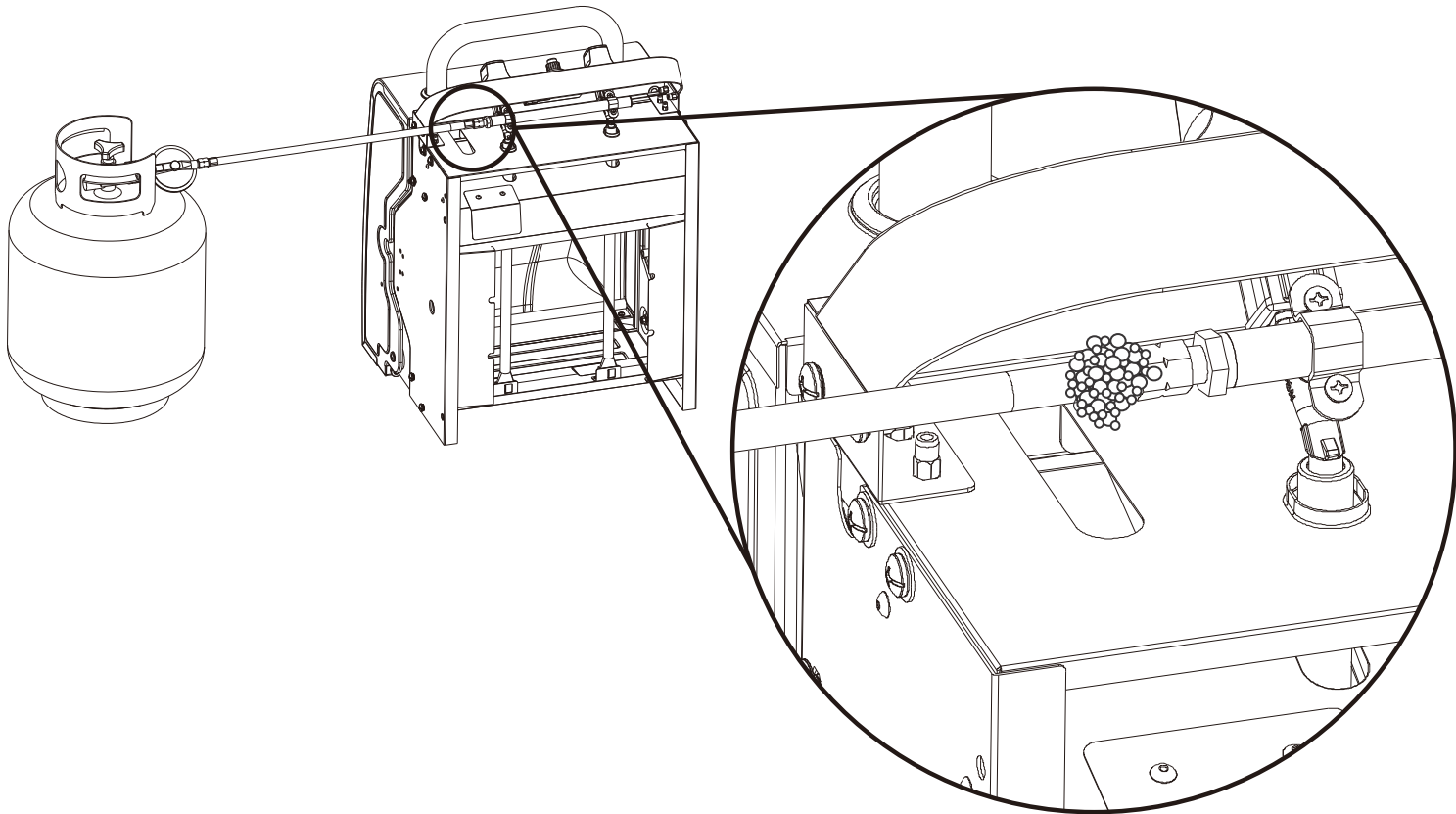
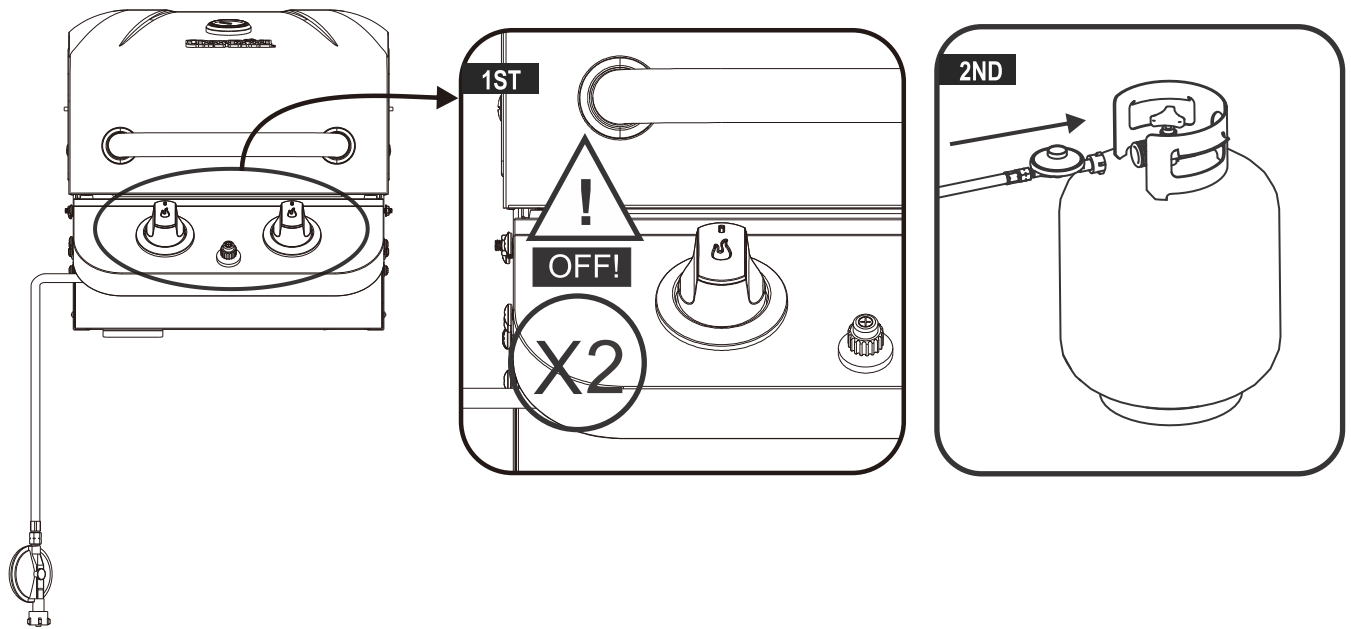
F x1



G x1

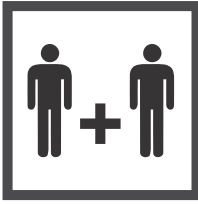


5

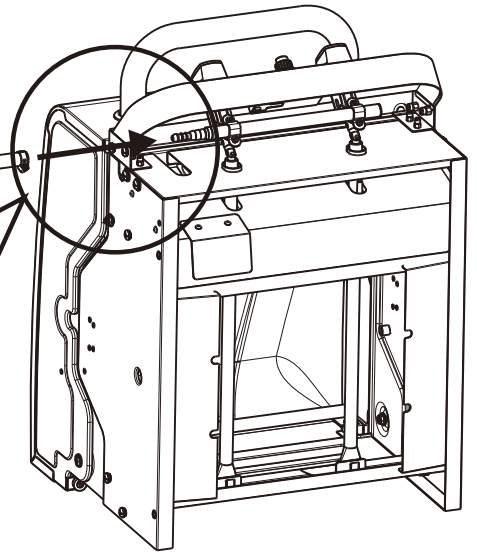


Disconnect the tank after this check!
 Ontkoppel de gastank na deze controle!
 Koppla frá tanken eftir denna kontroll!
 Koble fra beholderen etter denne kontrollen!
 Po kontrole nádobu odpojte!
 Po této kontrole odpojte nádrž!
 Irrota säiliö tämän tarkistuksen jälkeen!
 Framontér tanken eftir denne kontrol!

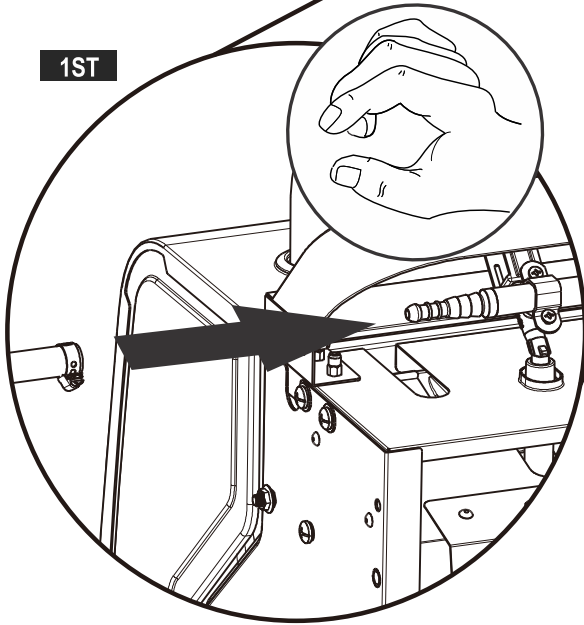
Klemmen Sie den Tank nach dieser Prüfung ab!
 Scollegare il serbatoio dopo questo controllo!
 Desconecte el tanque luego de esta comprobación!
 Desligue a botija depois desta verificação!
 Déconnectez le réservoir après cette vérification !
 Aftengdu tankinn eftir þessa skoðun!
 הקידבר החאל לכמת הק אתנ



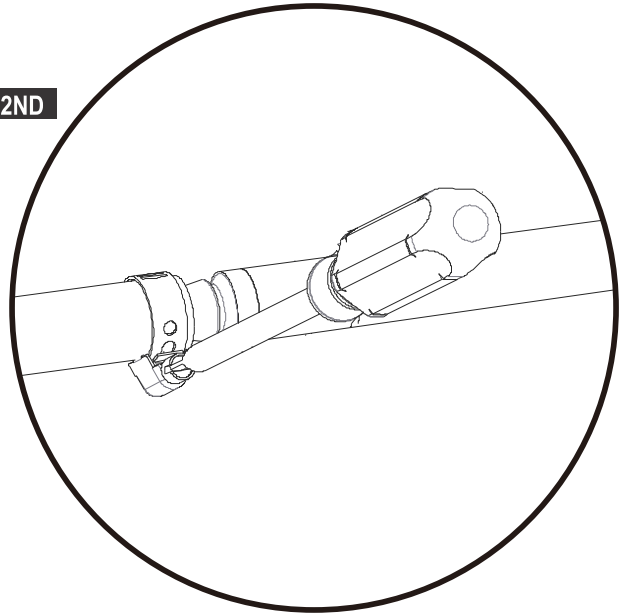
X1



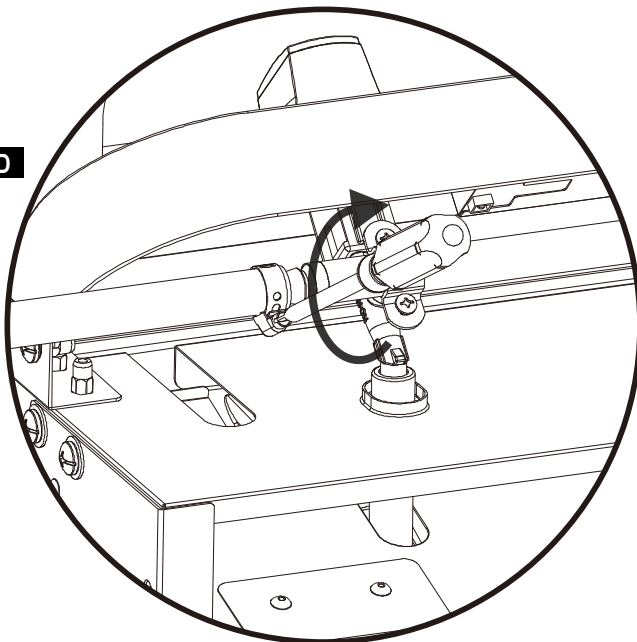
1ST



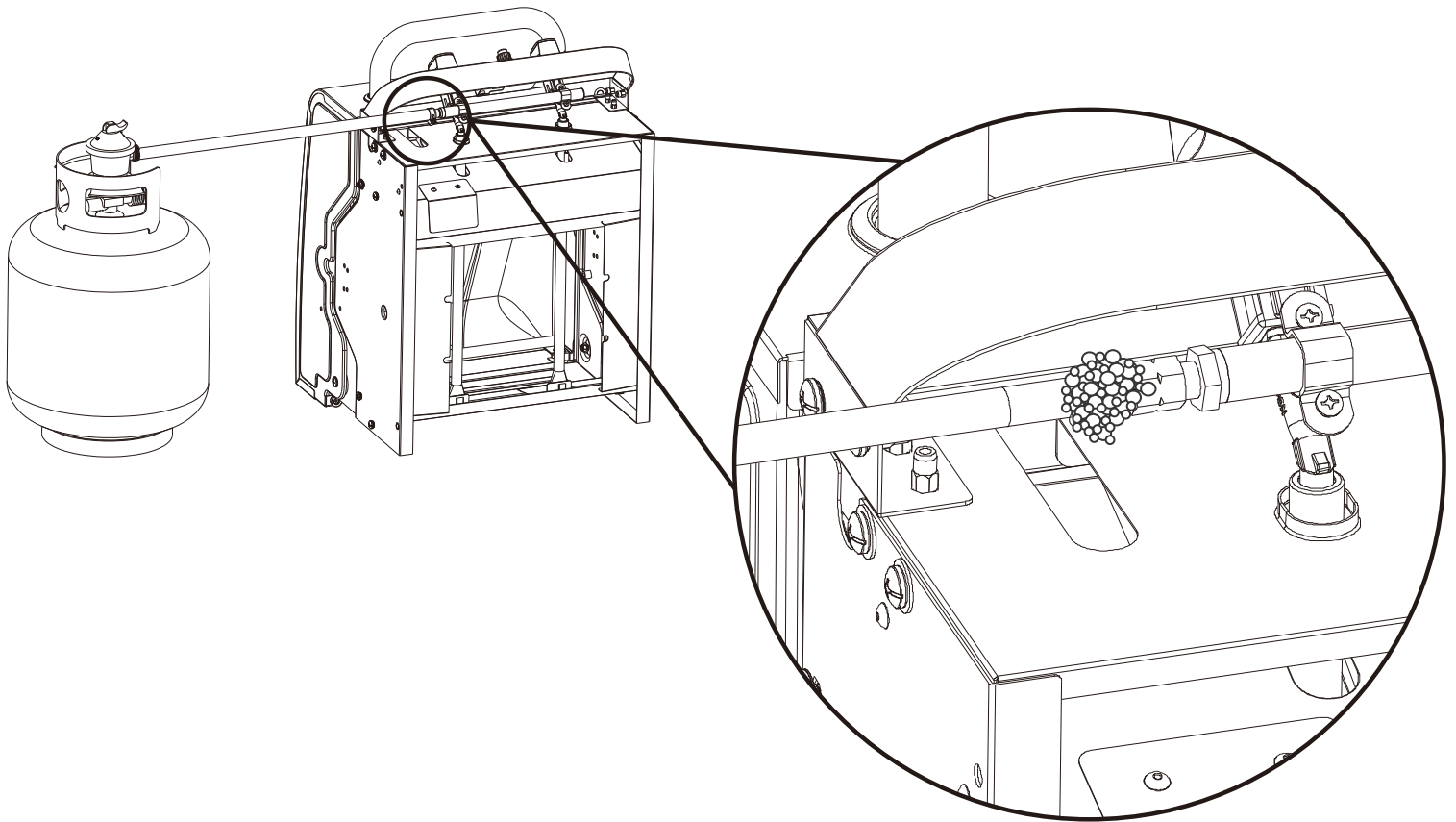
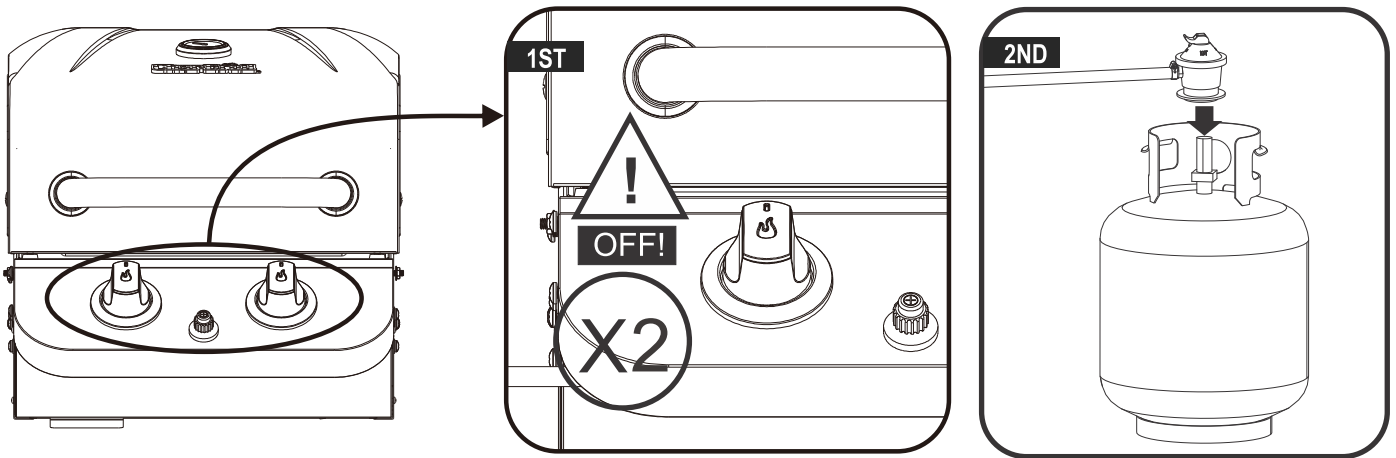
2ND



3RD



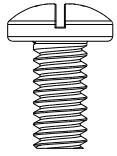
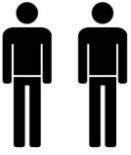
**TIGHTEN SECURELY!
KIRISTÄ HUOLELLISESTI!
PEVNĚ UTÁHNĚTE!
FASTSPÆND KORREKT!
DRAAI STEVIG AAN!
DRA ÅT ORDENTLIGT!
FEST GODT!
HERTU VANDLEGA
SERREZ FERMEMENT
SICHER BEFESTIGEN!
SERRARE SALDAMENTE
APRIETE FIRMEMENTE
BEZPEČNE ZATIAHNŮT!
הדק בחוזקה!
AFTENGDU TANKINN EFTIR ÞESSA SKOÐUN!**



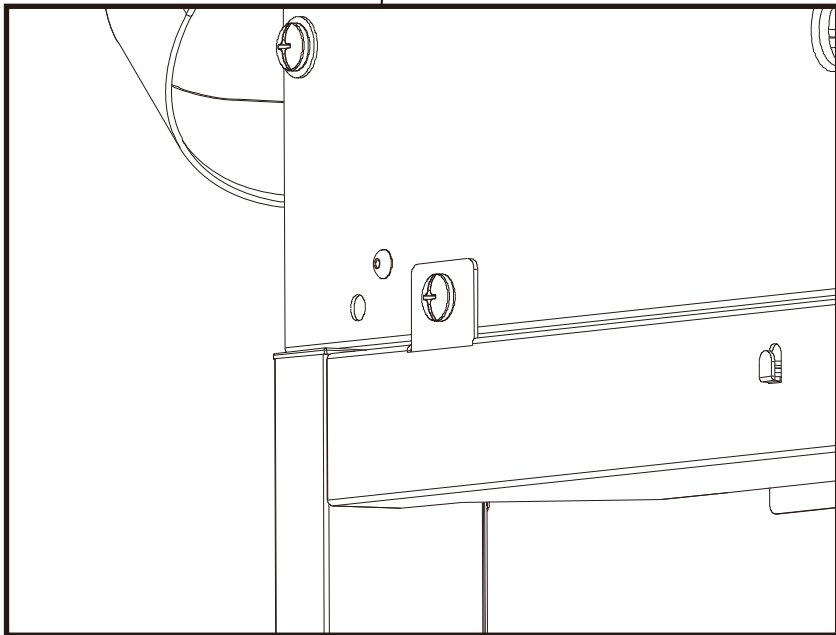
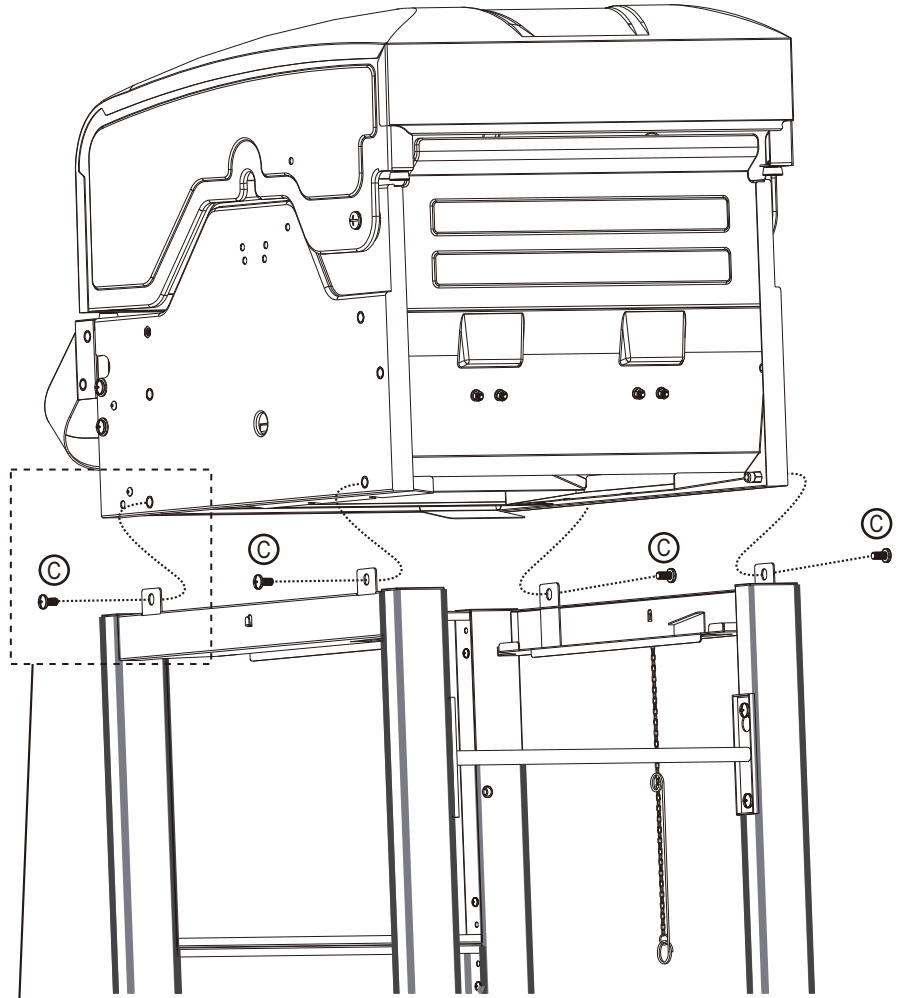
Disconnect the tank after this check!
Ontkoppel de gastank na deze controle!
Koppla från tanken efter denna kontroll!
Koble fra beholderen etter denne kontrollen!
Po kontrole nádobu odpojte!
Po této kontrole odpojte nádrž!
Irrota säiliö tämän tarkistuksen jälkeen!
Framontér tanken efter denne kontrol!

Klemmen Sie den Tank nach dieser Prüfung ab!
Scollegare il serbatoio dopo questo controllo!
¡Desconecte el tanque luego de esta comprobación!
Desligue a botija depois desta verificação!
Déconnectez le réservoir après cette vérification !
Aftengdu tankinn eftir þessa skoðun!
הקידבר החאל לכמת הק אתנ!

6

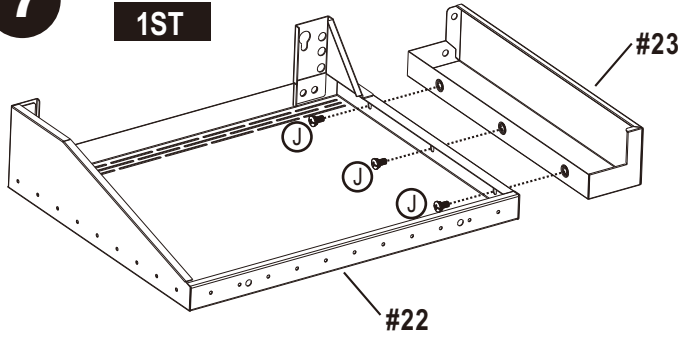


C x4

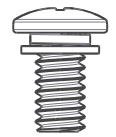
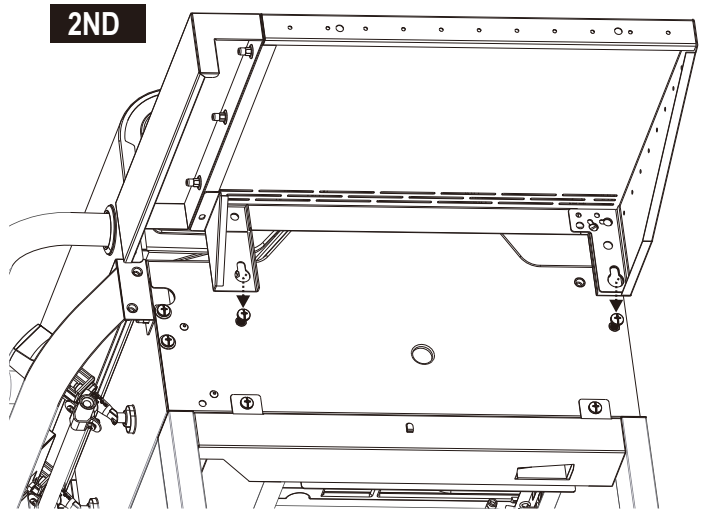


7

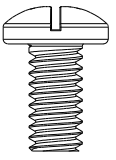
1ST



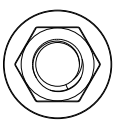
2ND



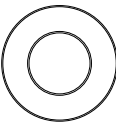
ⓐ x3



ⓐ x4

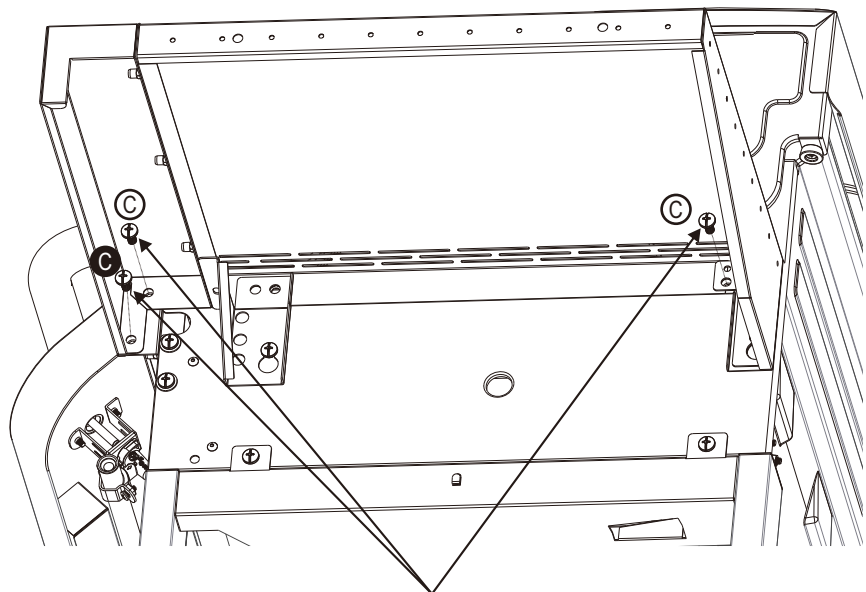


ⓐ x1



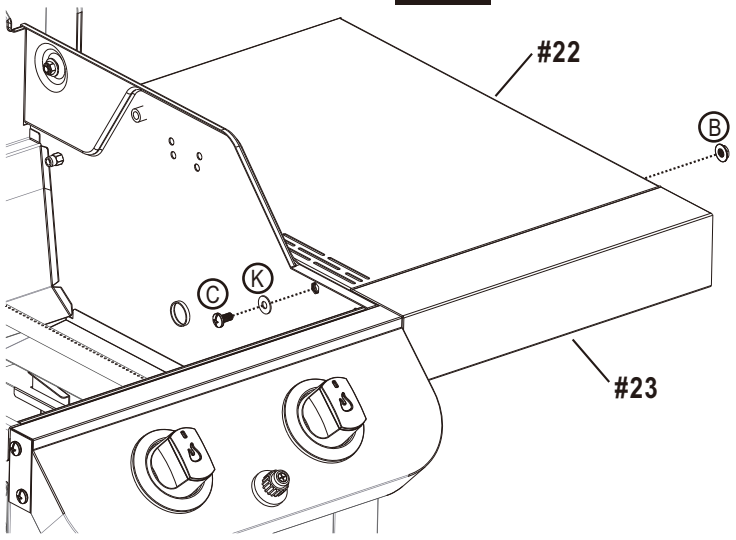
ⓐ x1

3RD

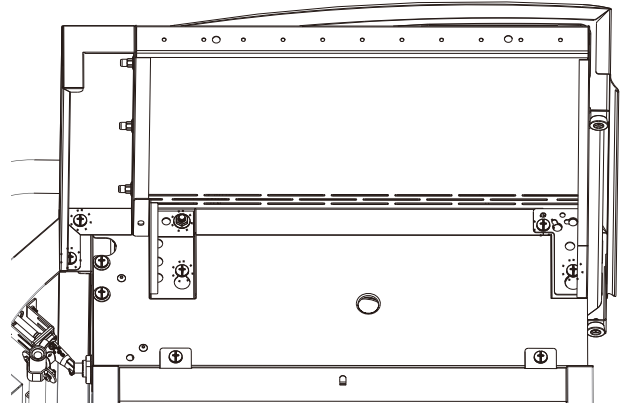


NOTE: Do Not Tighten the screws

4TH

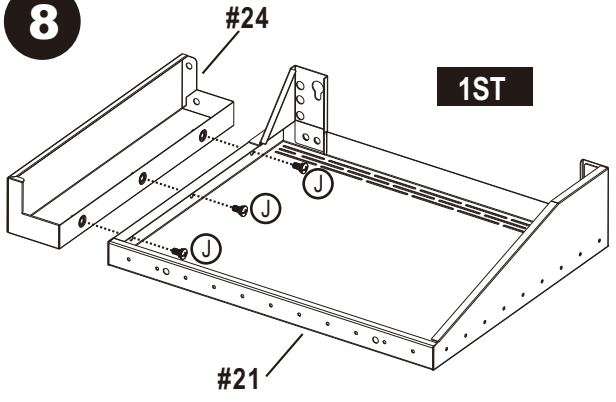


5TH



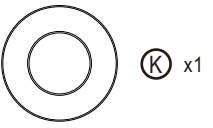
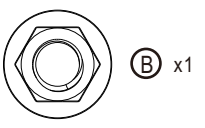
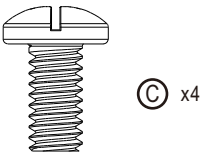
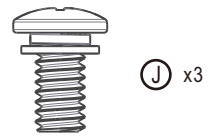
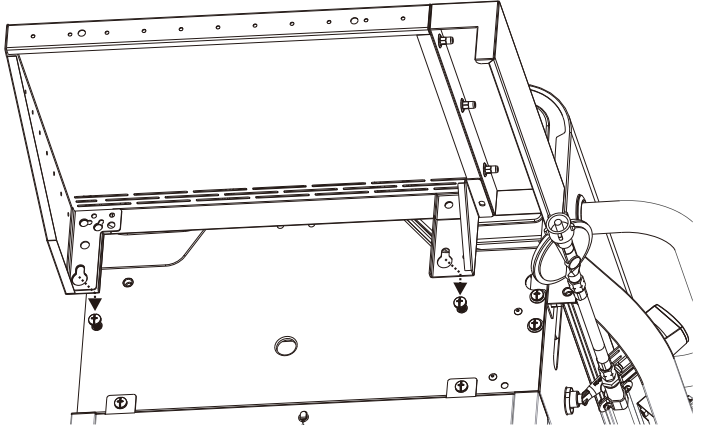
NOTE: Tighten the screws

8

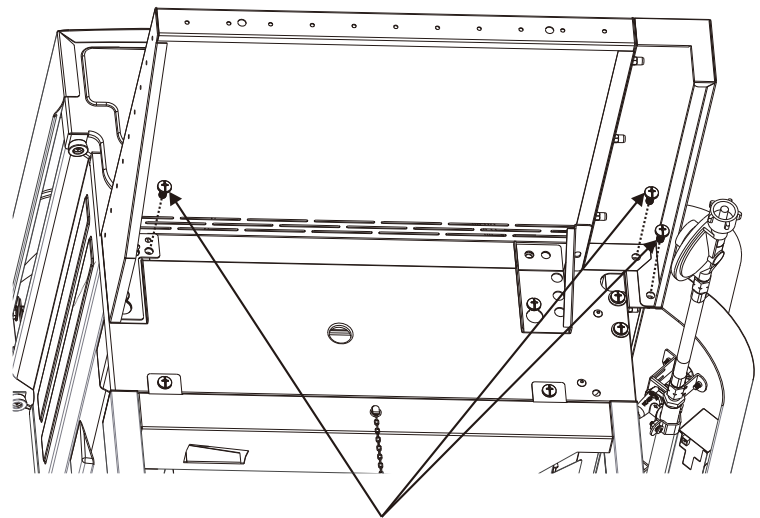


1ST

2ND

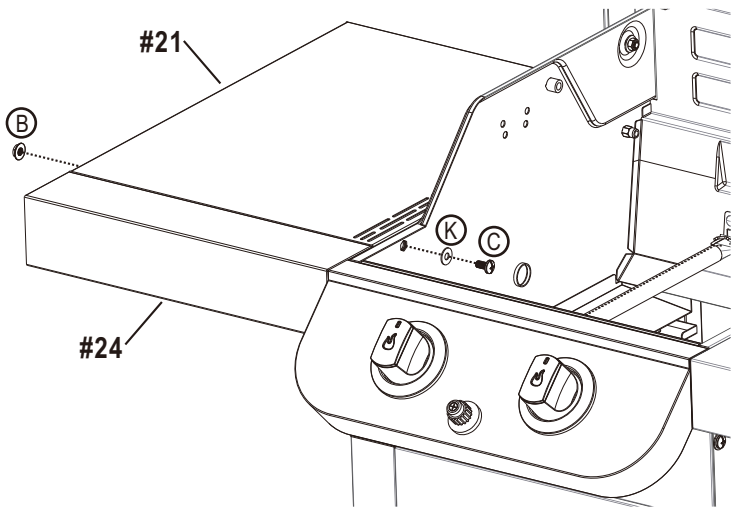


3RD

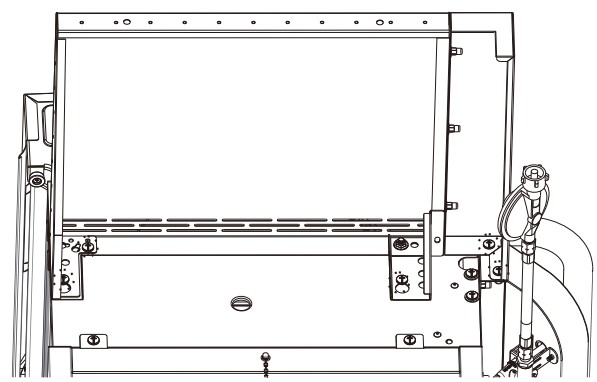


NOTE: Do Not Tighten the screws

4TH



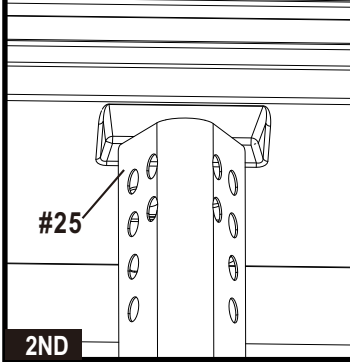
5TH



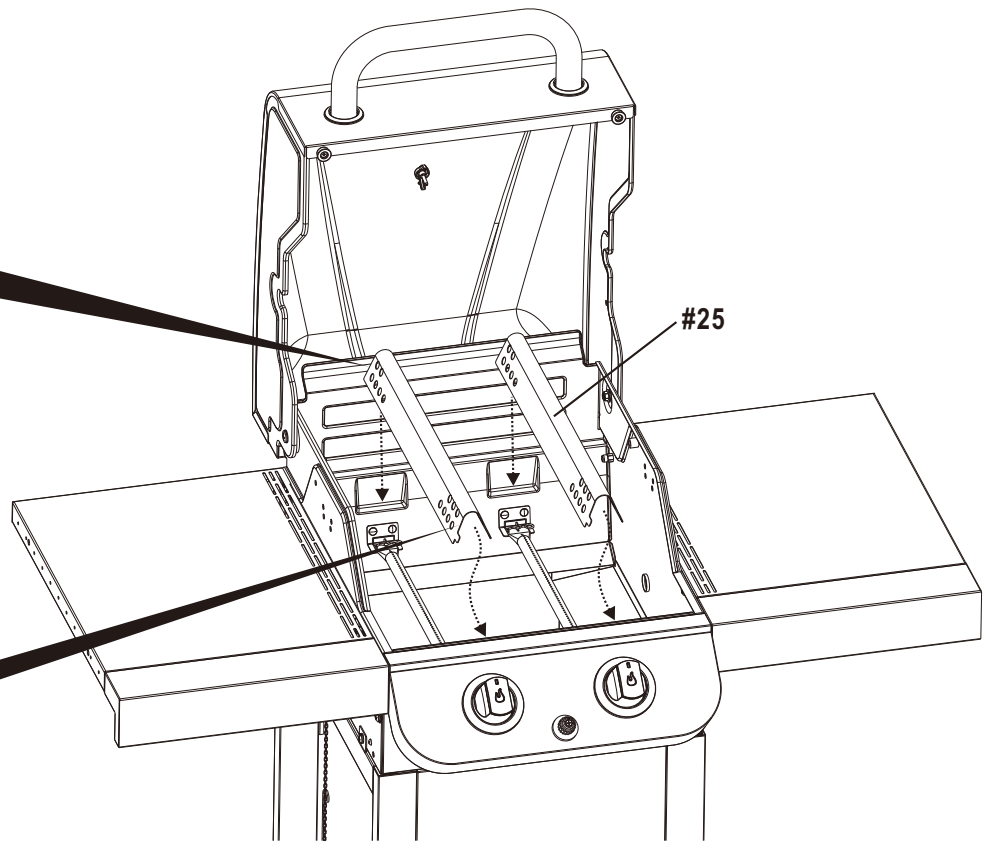
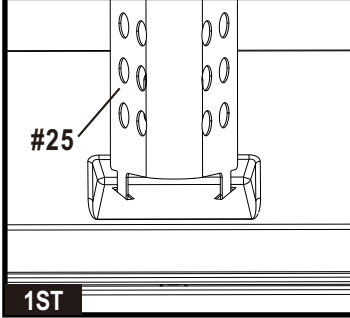
NOTE: Tighten the screws

9

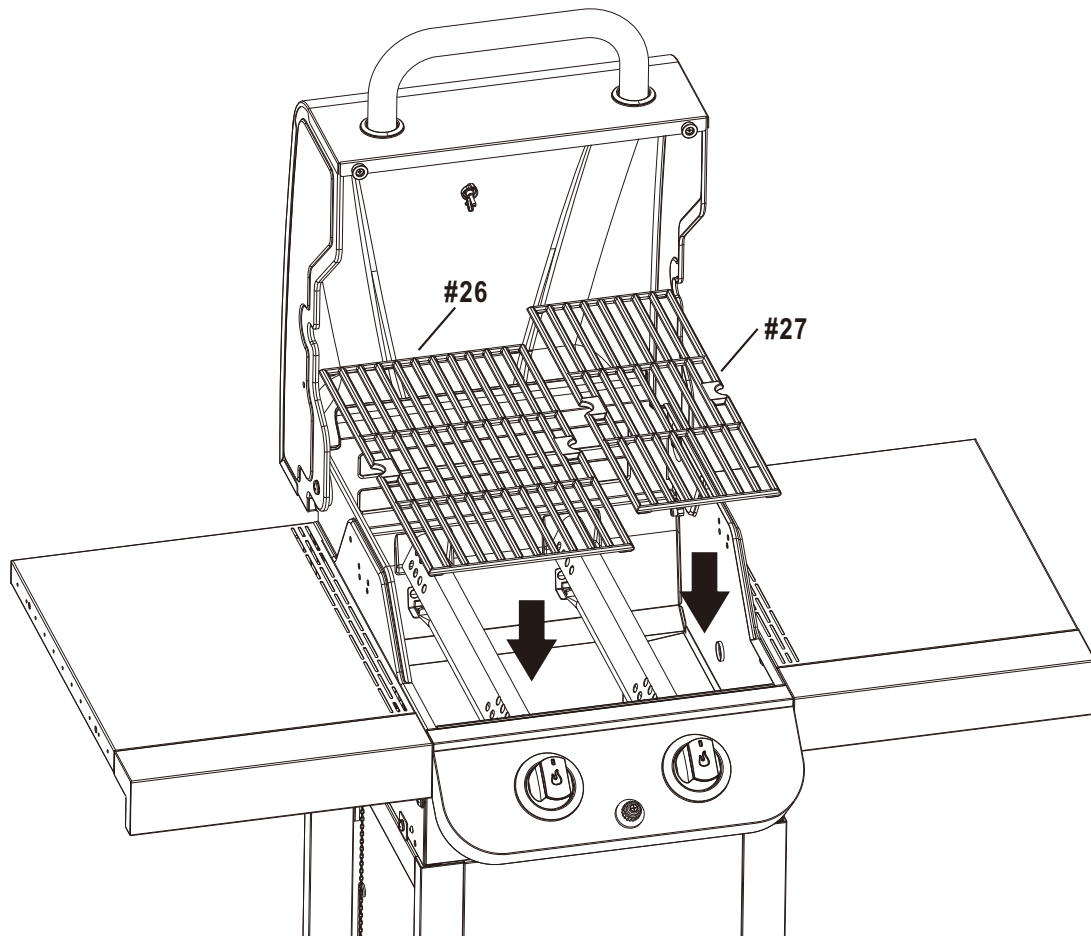
Back of Firebox/ Arrière du foyer/ Parte posterior de la cámara de combustión



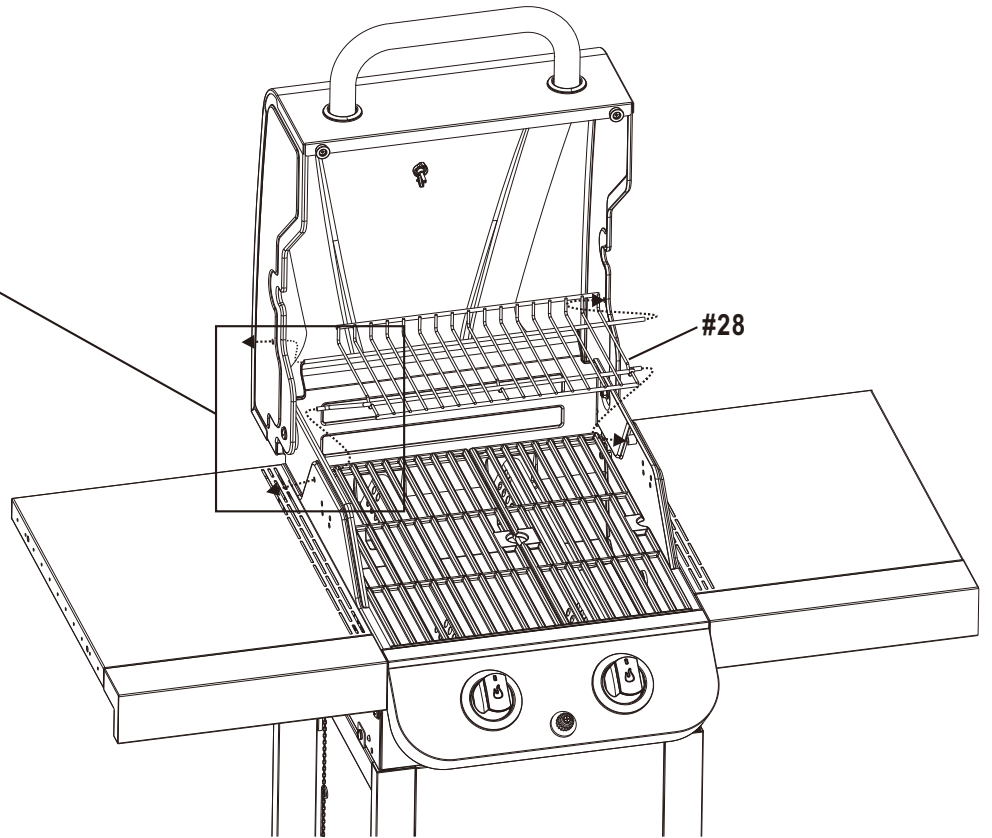
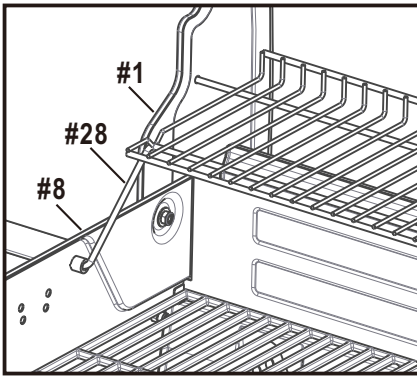
Front of Firebox/ Avant du foyer/ Parte delantera de la cámara de combustión



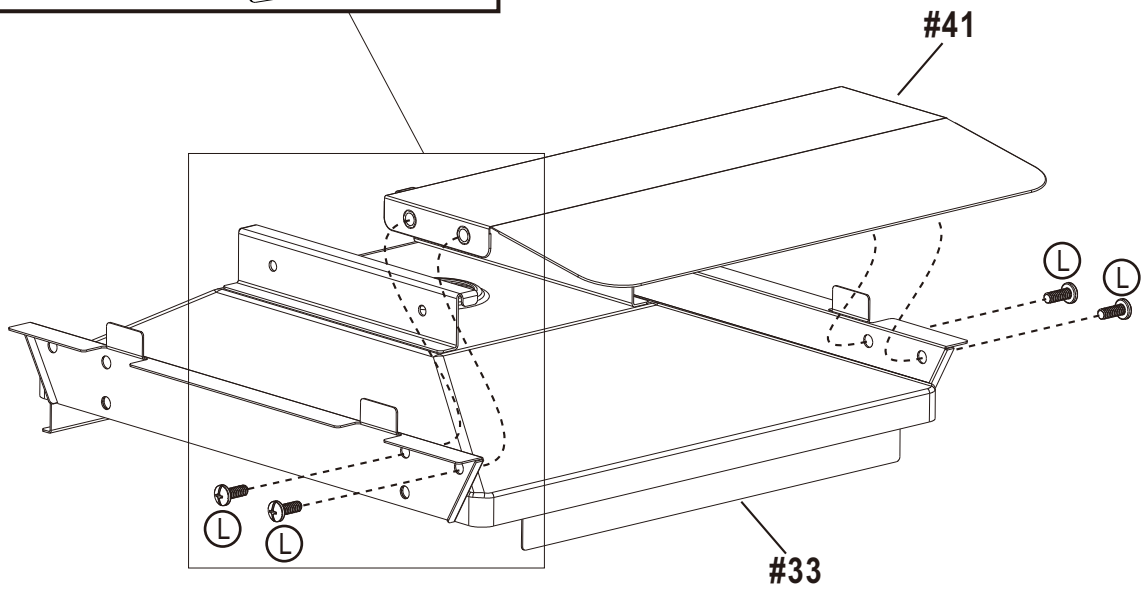
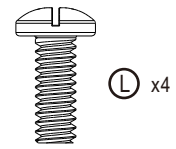
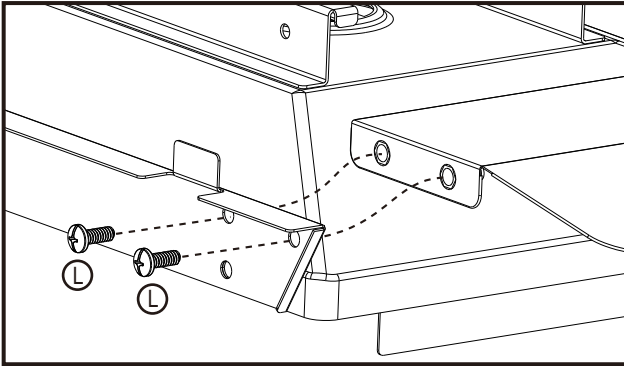
10



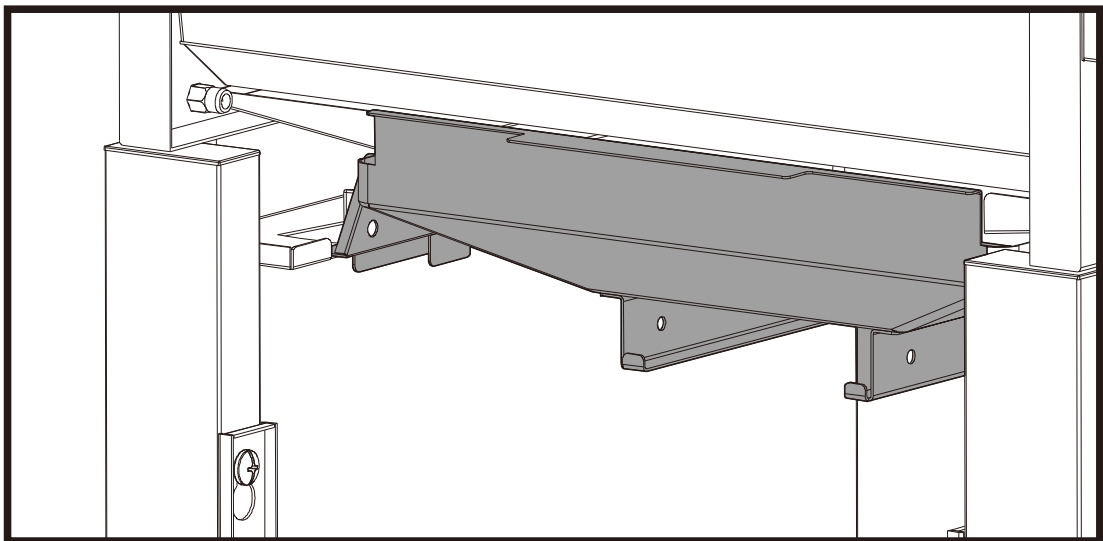
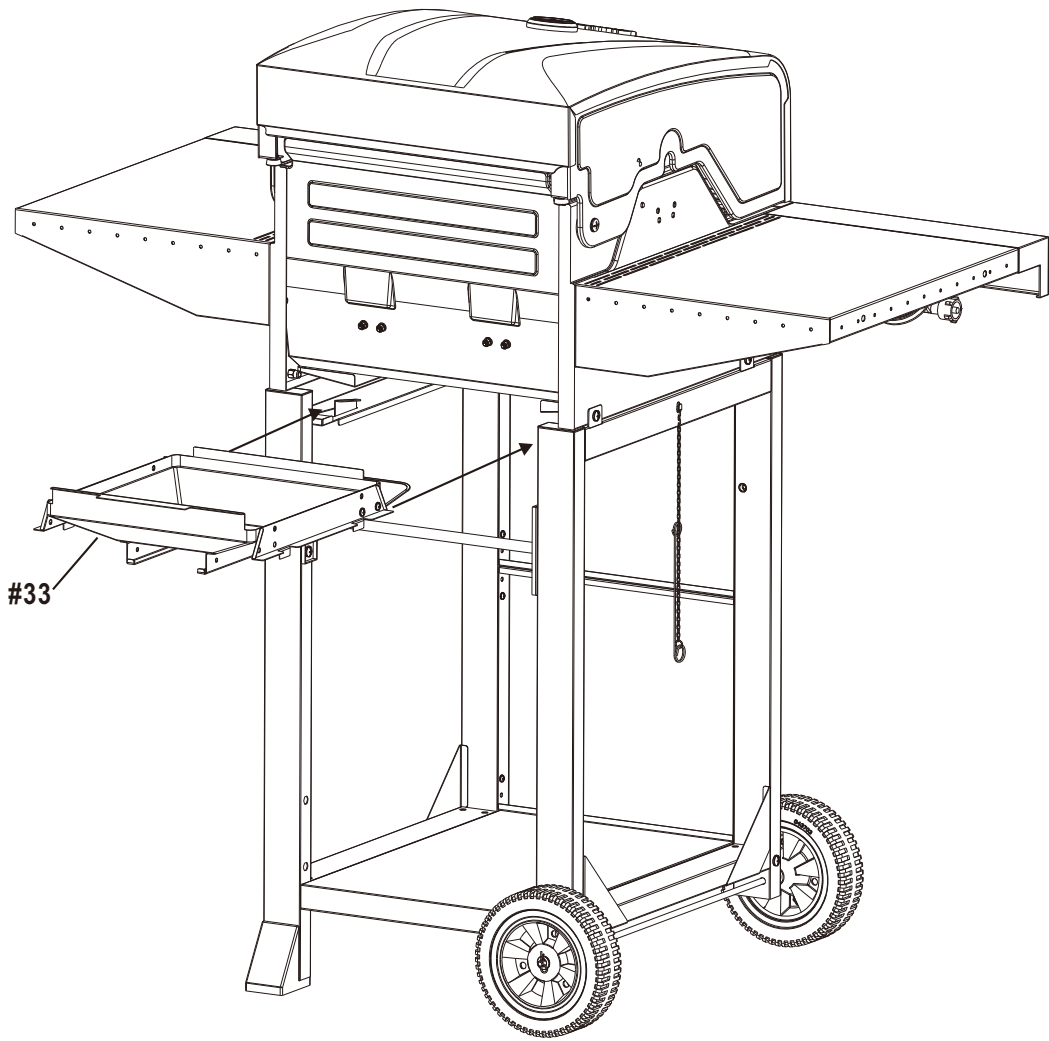
11

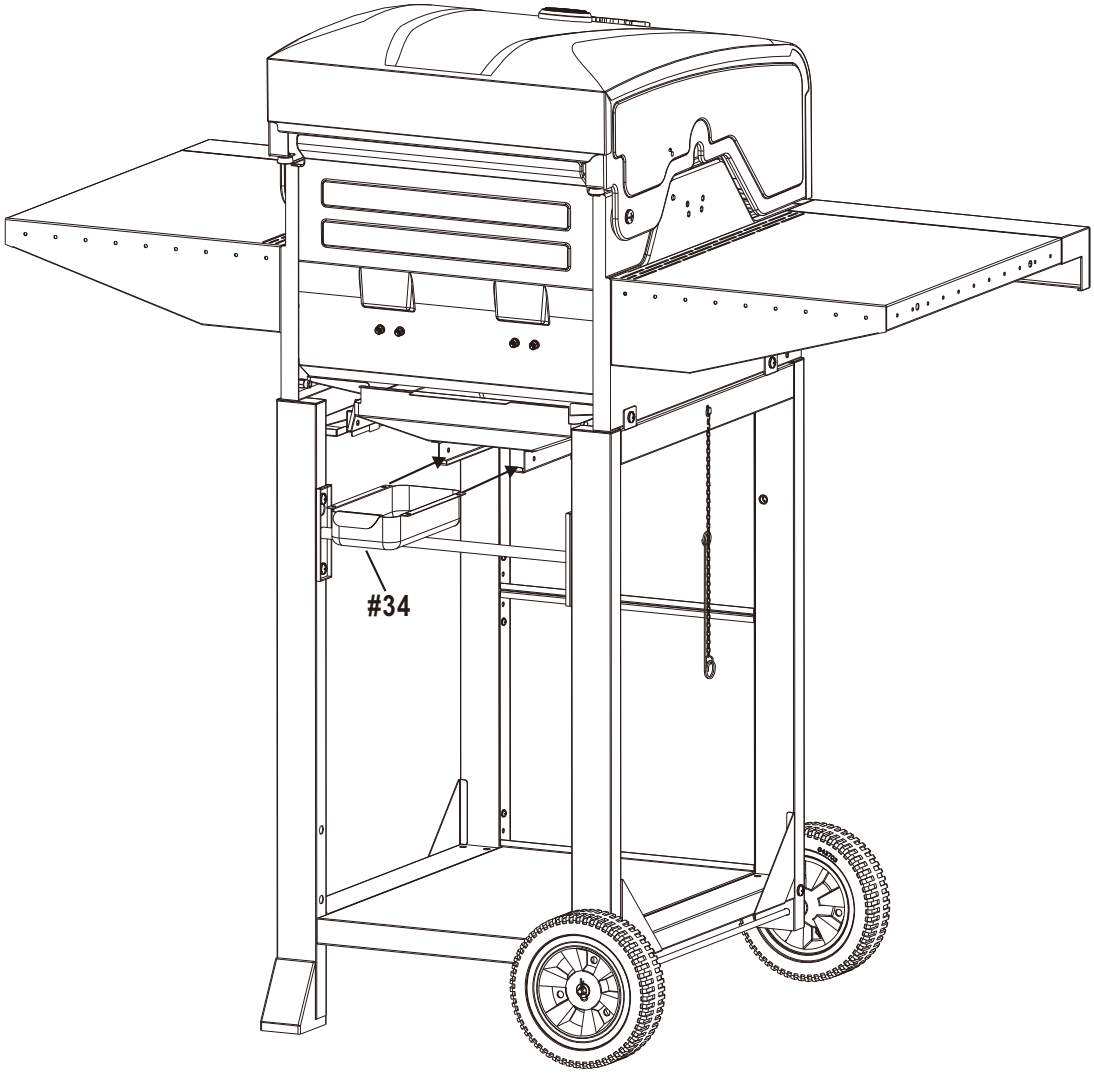


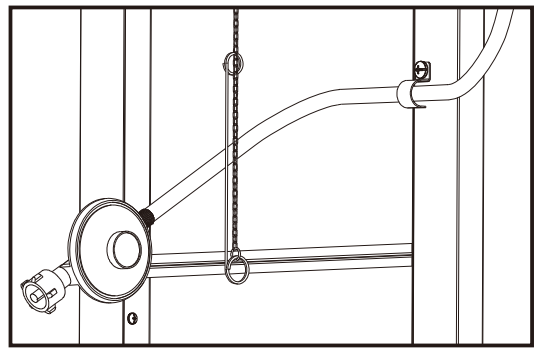
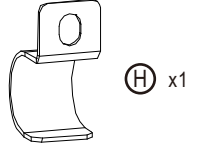
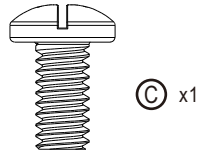
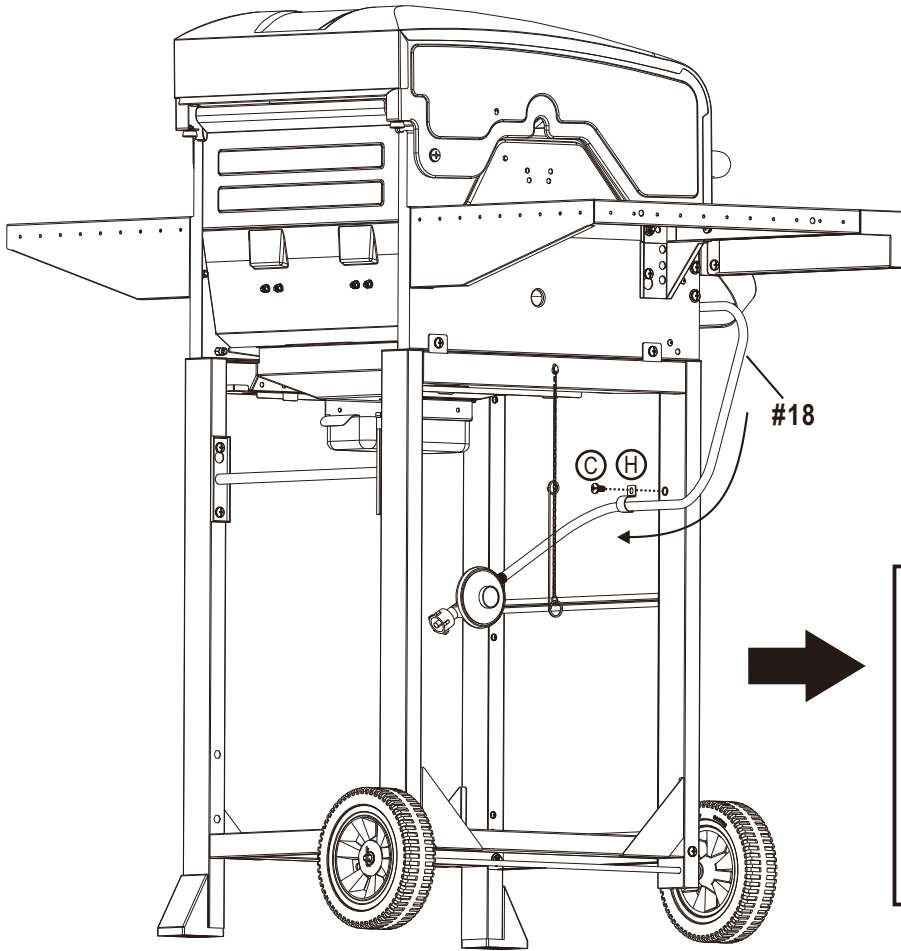
12

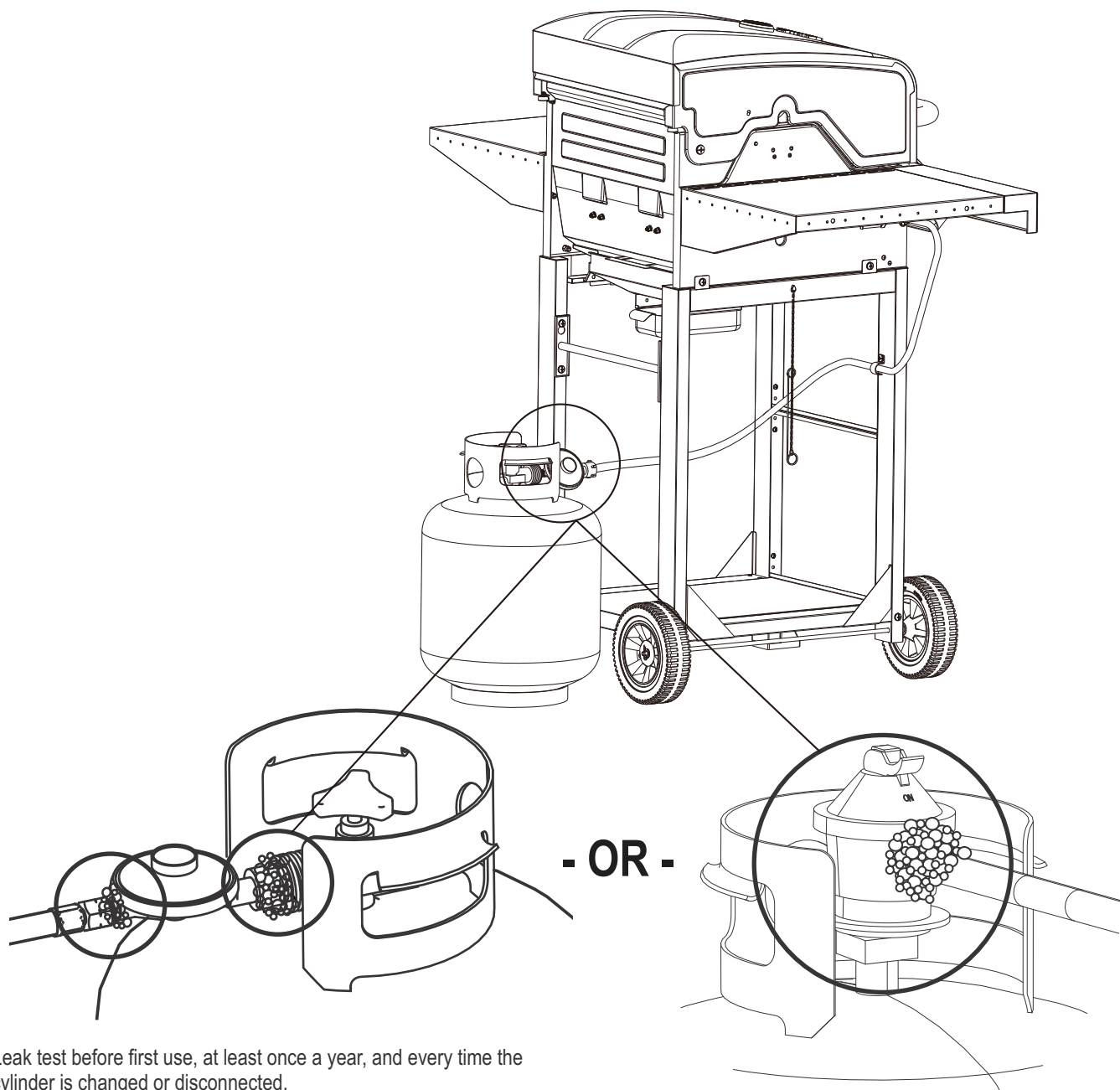


13









en Leak test before first use, at least once a year, and every time the cylinder is changed or disconnected.

fr Effectuez un test de fuite avant la première utilisation, au moins une fois par an, et chaque fois que la bonbonne est changée ou déconnectée.

de Führen Sie eine Überprüfung auf Gasaustritten mindestens einmal im Jahr und jedes Mal, wenn der Gasbehälter gewechselt oder abgetrennt wurde, durch.

it Eseguire una prova di tenuta prima del primo utilizzo, almeno una volta l'anno. Inoltre, eseguire una prova di tenuta ogni volta che il cilindro viene cambiato o scollegato.

nl Lekttest voor eerste gebruik, minstens een keer per jaar, en elke keer als de gasfles verwisseld of losgekoppeld is.

sv Testa efter läckage före den första användningen, minst en gång per år, och varje gång cylindern byts ut eller kopplas bort.

fi Vuototesti ennen ensimmäistä käyttöä, mutta vähintään kerran vuodessa, ja joka kerta kun sylinteri vaihdetaan tai sen kytkentä irrotetaan.

es Realice una prueba de fugas al menos una vez al año o cada vez que se cambie o se desconecte el cilindro.

li לפחות פעם בשנה, דליפת בדיקה לפני השימוש ראשון ,
ובכל פעם הצילינדר משתנה או מנותקת.

- OR -

pt Faça um teste para verificar se não há vazamentos pelo menos uma vez por ano e sempre que o cilindro for trocado ou desconectado.

da Tæthedsprøvning af ventiler, slanger og regulator skal ske før første ibrugtagning, mindst en gang om året, og hver gang gasflasken er enten skiftet eller afbrudt.

no Framkvæmið lekprófun fyrir fyrstu notkun, að minnsta kosti árlega, og í hvert sinn sem skipt er um hylki eða það er aftengt.

sk Test tesnosti uskutočnite pred prvým použitím, raz za rok a pri každej výmene alebo odpojení fľaše.

is Framkvæmið lekprófun fyrir fyrstu notkun, að minnsta kosti árlega, og í hvert sinn sem skipt er um hylki eða það er aftengt.

ro Testați scurgerile înainte de prima utilizare, cel puțin o dată pe an și de fiecare dată când se schimbă sau se deconectează bateria.

cs Proved'te zkoušku těsnosti před prvním použitím, minimálně jednou za rok a při každé výměně nebo odpojení zásobníku.

pl Przeprowadzić test szczelności przed pierwszym użyciem, co najmniej raz w roku oraz w przypadku zmiany lub odłączeniem zbiornika.

- en Leak test before first use, at least once a year, and every time the cylinder is changed or disconnected.
- fr Effectuez un test de fuite avant la première utilisation, au moins une fois par an, et chaque fois que la bonbonne est changée ou déconnectée.
- de Führen Sie eine Überprüfung auf Gasaustritten mindestens einmal im Jahr und jedes Mal, wenn der Gasbehälter gewechselt oder abgetrennt wurde, durch.
- it Eseguire una prova di tenuta prima del primo utilizzo, almeno una volta l'anno. Inoltre, eseguire una prova di tenuta ogni volta che il cilindro viene cambiato o scollegato.
- nl Lektest voor eerste gebruik, minstens een keer per jaar, en elke keer als de gasfles verwisseld of losgekoppeld is.
- sv Testa efter läckage före den första användningen, minst en gång per år, och varje gång cylindern byts ut eller kopplas bort.
- fi Vuototesti ennen ensimmäistä käyttöä, mutta vähintään kerran vuodessa, ja joka kerta kun sylinteri vaihdetaan tai sen kytkentä irrotetaan.
- es Realice una prueba de fugas al menos una vez al año o cada vez que se cambie o se desconecte el cilindro.
- pt Faça um teste para verificar se não há vazamentos pelo menos uma vez por ano e sempre que o cilindro for trocado ou desconectado.
- da Tæthedsprøvning af ventiler, slanger og regulator skal ske før første ibrugtagning, mindst en gang om året, og hver gang gasflasken er enten skiftet eller afbrudt.
- no Framkvæmið lekaprófun fyrir fyrstu notkun, að minnsta kosti árlega, og í hvert sinn sem skipt er um hylki eða það er aftengt.
- sk Test tesnosti uskutočnite pred prvým použitím, raz za rok a pri každej výmene alebo odpojení fľaše.
- is Framkvæmið lekaprófun fyrir fyrstu notkun, að minnsta kosti árlega, og í hvert sinn sem skipt er um hylki eða það er aftengt.
- ro Testați scurgerile înainte de prima utilizare, cel puțin o dată pe an și de fiecare dată când se schimbă sau se deconectează bateria.
- cs Proved'te zkoušku těsnosti před prvním použitím, minimálně jednou za rok a při každé výměně nebo odpojení zásobníku.
- pl Przeprowadzić test szczelności przed pierwszym użyciem, co najmniej raz w roku oraz w przypadku zmiany lub odłączeniem zbiornika.

li דליפת בדיקה לפני השימוש ראשון, לפחות פעם בשנה, ובכל פעם

Warranty Statement

Char-Broil Europe GmbH of Gasstraße 6 - Haus L 4 Obergeschoß, D-22761 Hamburg, (Char-Broil) warrants to the PURCHASER of this Char-Broil product that it will be free of defects in material and workmanship from the date of purchase as follows:

	Gas Grills
Burners	2 years
Cooking Grates/Emitters	2 years
All Other Parts (EURO minimum)	2 years

Char-Broil or the seller of the product may require reasonable proof of your date of purchase. ***THEREFORE, YOU SHOULD RETAIN YOUR SALES RECEIPT OR INVOICE.***

[France only: All products sold by the Seller are covered by the legal warranties provided in Articles 1641 and followings of the Civil Code (warranty against hidden defects) and Articles L. 217-1 to L. 217-14 and L. 411-1 to L. 411-2 of the Consumer Code (warranty of conformity.)

This Warranty includes the right of repair or replacement of the product or parts of the product that prove defective under normal use and service. Before returning any parts, you should promptly contact Char-Broil using the contact information on our website. In case of a defect, Char-Broil will elect to replace or repair the product or such parts without charge. . Char-Broil will return the product or parts of the product to the purchaser, freight or postage prepaid. If Char-Broil elects to repair the product or such defective parts of the product and this repair fails, you are entitled, pursuant to your statutory legal rights, to reduce the purchase price or to withdraw from the contract and receive a refund.

This Warranty does not cover any failures or operating difficulties due to accident, abuse, misuse, alteration, misapplication, vandalism, improper installation or improper maintenance or service, or failure to perform normal and routine maintenance, including but not limited to damage caused by insects within the burner tubes, as set out in this owner's manual. Exceptions may apply, so please contact Char-Broil or your seller in case you have any questions on whether this Warranty applies to your specific case or not.

Deterioration or damage due to severe weather conditions such as hail, hurricanes, earthquakes or tornadoes, discoloration due to exposure to chemicals either directly or in the atmosphere, is not covered by this Warranty, and are not normally covered by your statutory legal rights.

Char-Broil is not liable for any unforeseeable losses (i.e. loss or damage that neither you nor Char-Broil or the seller contemplated at the time of purchase), or any damage caused by you, save for that Char-Broil's liability for fraud or death or personal injury caused by its negligence is not limited.

Char-Broil does not authorize any person or company to assume for it any other obligation or liability in connection with the sale, installation, use, removal, return, or replacement of its equipment; and no such representations are binding on Char-Broil.

This Warranty applies only to products sold at retail to individuals (as opposed to businesses) within the European Union.

This Warranty does not affect any of your statutory legal rights under the applicable consumer laws of your resident country.

For warranty service, contact Char-Broil at info-eu@charbroil.com.

Déclaration de Garantie

Char-Broil Europe GmbH, sis à l'adresse Gasstraße 6 - Haus L 4 Obergeschoß, D-22761 Hamburg (« Char-Broil »), garantit à l'ACHETEUR du présent produit Char-Broil que ce dernier sera exempt de tout défaut de matériel ou de fabrication à compter de la date de l'achat, comme suit :

	Gril à gaz
Brûleurs	2 ans
Grilles de cuisson et émetteurs	2 ans
Toutes les autres pièces (minimum pour l'Europe)	2 ans

Il se peut que Char-Broil ou le vendeur du produit exige une preuve raisonnable de la date de votre achat. **PAR CONSÉQUENT, VOUS DEVRIEZ CONSERVER VOTRE REÇU OU VOTRE FACTURE.**

[France seulement : Tous les produits vendus par le vendeur sont couverts par les garanties légales prévues aux articles 1641 et suivants du *Code civil* (garantie contre les défauts cachés) et aux articles L. 217-1 à L. 217-14 et L. 411-1 à L. 411-2 du *Code de la consommation* (garantie de conformité.)

La présente garantie comprend le droit à la réparation ou au remplacement du produit ou des pièces du produit qui se révèlent défectueux dans des conditions normales d'usage et d'entretien. Avant de retourner une pièce, vous êtes invité à prendre contact sans délai avec Char-Broil aux coordonnées indiquées sur notre site Web. En cas de défaut, Char-Broil décidera de remplacer ou de réparer sans frais le produit ou les pièces en question. Char-Broil retournera le produit ou les pièces à l'acheteur, frais d'expédition ou d'affranchissement prépayés. Si, après que Char-Broil a décidé de réparer le produit ou les pièces défectueuses, la réparation échoue, vous avez le droit, en vertu de vos droits légaux réglementaires, de réduire le prix d'achat ou de résilier le contrat et de vous faire rembourser.

La présente garantie ne couvre pas les défaillances ou les problèmes de fonctionnement découlant d'un accident, d'une utilisation abusive, d'une mauvaise utilisation, d'une modification, d'une application erronée, d'un acte de vandalisme, d'une mauvaise installation, d'un mauvais entretien, d'une mauvaise réparation ou du non-respect des procédures d'entretien normal et régulier, y compris notamment les dommages causés par les insectes dans les tubes des brûleurs, comme le décrit le présent mode d'emploi. Certaines exceptions peuvent s'appliquer. Veuillez donc prendre contact avec Char-Broil ou avec votre vendeur si vous vous demandez si la présente garantie couvre votre cas particulier ou non.

La détérioration ou les dommages causés par les conditions climatiques particulièrement rigoureuses, comme la grêle, les ouragans, les séismes ou les tornades, ainsi que la décoloration due à l'exposition à des substances chimiques, soit directement, soit dans l'atmosphère, ne sont pas couverts par la présente garantie, et ne sont normalement pas visés par vos droits légaux réglementaires.

Char-Broil n'est pas responsable des pertes imprévues (c'est-à-dire les pertes ou les dommages que ni vous, ni Char-Broil, ni le vendeur n'avez envisagés au moment de l'achat) ou de tout dommage dont vous êtes la cause, à ceci près que la responsabilité de Char-Broil pour fraude, décès ou dommage corporel causés par sa négligence n'est pas limitée.

Char-Broil n'autorise aucun particulier ni aucune société à assumer en son nom toute autre obligation ou responsabilité relativement à la vente, à l'installation, à l'utilisation, à l'élimination, au retour ou au remplacement de son équipement; aucune déclaration à cet effet ne lie Char-Broil.

La présente garantie ne concerne que les produits vendus au détail à des particuliers (et non à des sociétés) au sein de l'Union européenne.

La présente garantie n'a aucune incidence sur les droits légaux réglementaires qui vous sont octroyés par les lois sur la consommation en vigueur dans votre pays de résidence.

Pour demander un service sous garantie, prenez contact avec Char-Broil à l'adresse info-eu@charbroil.com.

Gewährleistungserklärung

Char-Broil Europe GmbH, mit Geschäftssitz an der Gasstraße 6 - Haus L 4 Obergeschoß, D-22761 Hamburg (Char-Broil) gewährleistet gegenüber dem KÄUFER dieses Char-Broil-Produktes, dass es ab dem Verkaufsdatum frei von Materials- und Verarbeitungsfehlern sein wird, wie im Folgenden dargestellt:

	Gasgrills
Brenner	2 Jahre
Kochplatten/Emitter	2 Jahre
All anderen Teile (EURO-Minimum)	2 Jahre

Char-Broil oder der Händler des Produkts werden eventuell angemessenen Nachweis Ihres Kaufsdatums verlangen. DESHALB SOLLTEN SIE IHREN KAUFBELEG ODER IHRE RECHNUNG AUFBEWAHREN.

Diese Gewährleistung umfasst das Nachbesserungsrecht oder Ersetzungsrecht des Produktes oder der Teile des Produktes, die sich bei normalem Gebrauch und Anwendung als mangelhaft erweisen. Vor der Rücksendung jedweder Teile sollten Sie sich unverzüglich mit Char-Broil unter Nutzung der Kontaktinformationen auf unserer Website in Verbindung setzen. Im Falle eines Herstellungsfehlers wird Char-Broil das Produkt oder die entsprechenden Teile ohne Berechnung entweder ersetzen oder nachbessern. Char-Broil wird das Produkt oder die Ersatzteile für das Produkt an den Käufer zurücksenden, wobei Fracht oder Porto im Voraus bezahlt wird. Falls Char-Broil die Entscheidung trifft, das Produkt oder die entsprechenden Teile nachzubessern und die Reparatur fehlschlägt, sind Sie gemäß Ihrer rechtlichen Ansprüche dazu berechtigt, den Kaufspreis zu vermindern oder vom Vertrag zurückzutreten und eine Rückvergütung zu erhalten.

Die Gewährleistung erstreckt sich nicht auf Versagen oder Bedienungsschwierigkeiten infolge von Unfällen, Missbrauch, Fehlanwendung, Abänderung, falscher Verwendung, mutwilliger Beschädigung, unsachgemäßer Installation oder unsachgemäßer Instandhaltung oder Betrieb, oder Unterlassen normaler und routinemäßiger Instandhaltung, einschließlich, aber nicht beschränkt auf, durch Insekten im Inneren der Brennrohre verursachte Schäden, wie in dieser Bedienungsanleitung dargelegt. Ausnahmen können vorkommen, darum bitten wir Sie, Char-Broil oder Ihren Händler zu kontaktieren, falls Sie irgendwelche Fragen darüber haben, ob diese Gewährleistung auf Ihren speziellen Fall zutrifft oder nicht.

Zerfall oder Schaden, die durch extreme Witterungsbedingungen wie Hagel, Orkane, Erdbeben oder Tornados, Verfärbung durch Exposition gegenüber chemischen Stoffen, entweder direkt oder atmosphärisch bedingt, verursacht werden, sind durch diese Gewährleistung nicht gedeckt und sind normalerweise nicht durch zutreffende rechtliche Ansprüche gedeckt.

Char-Broil übernimmt keine Verantwortung für irgendwelche unvorhergesehenen Verluste (z. B. Verlust oder Schaden, die weder Sie noch Char-Broil noch der Händler zum Zeitpunkt des Kaufs voraussahen), oder irgendeinen von Ihnen verursachten Schaden, mit Ausnahme der Tatsache, dass die Haftung von Char-Broil für Betrug oder durch ihre Nachlässigkeit verursachten Todesfall oder Verletzungen nicht beschränkt ist.

Char-Broil erteilt keiner anderen Person oder Firma die Vollmacht, für sie irgendwelche anderen Verpflichtungen oder Haftungen im Zusammenhang mit dem Verkauf, der Installation, des Gebrauchs, der Entfernung, Rücksendung, oder des Ersetzens ihrer Geräte zu übernehmen, und keine diesbezüglichen Erklärungen sind für Char-Broil verbindlich.

Diese Gewährleistung hat nur auf im Einzelhandel an Privatpersonen (im Gegensatz zu Unternehmen) innerhalb der Europäischen Union verkaufte Produkte Anwendung.

Diese Gewährleistung berührt keine Ihrer rechtlichen Ansprüche unter den in Ihrem Wohnsitzland geltenden Verbraucherrechten.

Zur Inanspruchnahme von Garantieleistungen kontaktieren Sie Char-Broil unter info-eu@charbroil.com.

Bozza di dichiarazione di garanzia per Char-Broil

Char-Broil LLC di Gasstrasse 6 - Haus L 4 Obergeschoß, D-22761 Hamburg (Char-Broil) garantisce all'ACQUIRENTE di questo prodotto Char-Broil che lo stesso sarà privo di difetti, per quanto riguarda materiali e lavorazione, per i seguenti periodi a partire dalla data di acquisto:

	Grill a gas
Fornelli	2 anni
Griglie di cottura/emettitori	2 anni
Tutte le altre parti (minimo per l'Europa)	2 anni

Char-Broil e il venditore del prodotto potranno richiedere una prova certa della data di acquisto. **VI PREGHIAMO PERTANTO DI CONSERVARE LO SCONTRINO O LA FATTURA.**

[France only: All products sold by the Seller are covered by the legal warranties provided in Articles 1641 and followings of the Civil Code (warranty against hidden defects) and Articles L. 217-1 to L. 217-14 and L. 411-1 to L. 411-2 of the Consumer Code (warranty of conformity.)

Questa Garanzia comprende il diritto alla riparazione o sostituzione del prodotto o delle parti dello stesso che presentano difetti alle normali condizioni d'uso e manutenzione. Prima di restituire qualsiasi parte, vi preghiamo di contattare quanto prima Char-Broil ai numeri e indirizzi riportati nel nostro sito web. In caso di difetto, Char-Broil deciderà se sostituire o riparare gratuitamente il prodotto o le parti in questione. Char-Broil restituirà il prodotto o le parti dello stesso all'acquirente, spese di spedizione o affrancatura prepagate. Qualora Char-Broil scelga di riparare il prodotto o le parti difettose dello stesso e la riparazione non dia il risultato previsto, avrete il diritto, in virtù dei diritti legali previsti per legge, di ottenere una riduzione del prezzo d'acquisto o di recedere dal contratto e ottenere il rimborso.

Questa Garanzia non copre guasti o problemi di funzionamento determinati da incidenti, uso improprio, errato o scorretto, modifiche, atti di vandalismo, installazione scorretta, manutenzione o assistenza errata o mancata esecuzione delle operazioni di manutenzione normali e di routine, inclusi, senza carattere limitativo, i danni causati da insetti all'interno dei tubi dei fornelli, come descritto in questo manuale d'istruzioni. Tuttavia possono esservi delle eccezioni. Vi preghiamo pertanto di contattare Char-Broil o il venditore per sapere se la Garanzia è applicabile o meno al vostro caso particolare.

Deterioramenti o danni causati da condizioni meteorologiche avverse, quali grandine, uragani, terremoti o trombe d'aria, e lo scolorimento dovuto all'esposizione a sostanze chimiche, per contatto diretto o presenza nell'atmosfera, non sono coperti da questa Garanzia e non sono normalmente coperti dai diritti legali previsti per legge.

Char-Broil non è responsabile per perdite non prevedibili (cioè perdite o danni non contemplati da voi, da Char-Broil o dal venditore al momento dell'acquisto) o per danni causati da voi, fermo restando che la responsabilità di Char-Broil in caso di frode, morte o lesioni personali causate da negligenza da parte sua è illimitata.

Char-Broil non autorizza persone o società ad assumere ulteriori obblighi o responsabilità in suo nome, in relazione alla vendita, installazione, utilizzo, rimozione, restituzione, o sostituzione dell'apparecchio; qualsiasi dichiarazione in tal senso non è vincolante per Char-Broil.

Questa garanzia è valida solo per i prodotti venduti al dettaglio a privati (non a imprese) all'interno dell'Unione europea.

Questa Garanzia non pregiudica i diritti legali previsti dai codici del consumo vigenti nel vostro paese di residenza.

Per l'assistenza in garanzia, contattate Char-Broil all'indirizzo info-ue@charbroil.com.

Concept van garantiebeleid voor Char-Broil

Char-Broil LLC of Gasstraße 6 - Haus L 4 Obergeschoß, D-22761 Hamburg, Duitsland (Char-Broil) garandeert aan de KOPER van dit Char-Broil- product dat het geen materiaal- en productiefouten zal bevatten vanaf de aankoopdatum tot:

	Grill op gas
Branders	2 jaar
Bakroosters/stralers	2 jaar
Alle overige onderdelen (minimum voor Europa)	2 jaar

Het is mogelijk dat Char-Broil of de verkoper van het product een redelijk bewijs vraagt van de aankoopdatum. **BEWAAR DAAROM UW AANKOOPBEWIJS OF FACTUUR.**

[France only: All products sold by the Seller are covered by the legal warranties provided in Articles 1641 and followings of the Civil Code (warranty against hidden defects) and Articles L. 217-1 to L. 217-14 and L. 411-1 to L. 411-2 of the Consumer Code (warranty of conformity.)

Deze garantie omvat het recht op reparatie of vervanging van het product of de onderdelen van het product die defect blijken te zijn bij gewoon gebruik en onderhoud. Voordat u onderdelen retourneert, moet u zo snel mogelijk contact opnemen met Char-Broil via de contactinformatie op onze website. In het geval van een defect zal Char-Broil bepalen of het product gratis zal worden vervangen of de onderdelen gratis zullen worden gerepareerd. Char-Broil zal het product of de onderdelen van het product aan de koper terugzenden zonder vracht- of portkosten. Indien Char-Broil ervoor kiest om het product of de defecte onderdelen van het product te repareren en het product nog steeds defect is na de reparatie, dan hebt u wettelijk recht op een korting op de aankoopprijs of om het contract te verbreken en restitutie te ontvangen.

Deze garantie dekt geen defecten of problemen bij de werking ten gevolge van een ongeval, misbruik, incorrect gebruik, aanpassing, onjuiste toepassing, vandalisme, slechte installatie of slecht onderhoud of nazicht of wegens het niet-uitvoeren van gewoon en routinematig onderhoud, inclusief, zonder beperking, schade veroorzaakt door insecten in de buizen van de brander, zoals beschreven in de handleiding. Uitzonderingen kunnen van toepassing zijn. Neem daarom contact op met Char-Broil of uw verkoper voor vragen of deze garantie al dan niet op een specifiek geval van toepassing is.

Aantasting of schade wegens barre weersomstandigheden, zoals hagel, orkanen, aardbevingen of tornado's, en verkleuring door blootstelling aan chemische stoffen, direct of in de atmosfeer, vallen niet onder deze garantie en zijn doorgaans ook niet gedekt door uw wettelijke rechten.

Char-Broil is niet aansprakelijk voor niet te voorzien verlies (verlies dat of schade die u noch Char-Broil of de verkoper had voorzien bij de aankoop) of voor schade die u hebt veroorzaakt, behalve dat de aansprakelijkheid van Char-Broil voor fraude of overlijden of letsel door nalatigheid van Char-Broil niet beperkt is.

Char-Broil verbiedt personen of bedrijven om verplichtingen of aansprakelijkheid te aanvaarden voor Char-Broil gerelateerd aan de verkoop, de installatie, het gebruik, de verwijdering, het retourneren of vervangen van dit apparaat. Dergelijke verklaringen binden Char- Broil niet.

Deze garantie is uitsluitend van toepassing op producten verkocht in de detailhandel aan personen (niet aan bedrijven) binnen de Europese Unie.

Deze garantie verandert niets aan uw wettelijke rechten krachtens de toepasselijke consumentenwetten van het land waar u woont.

Voor service onder de garantie neemt u contact op met Char-Broil op info-eu@charbroil.com.

Utkast av garantibeskrivning för Char-Broil

Char-Broil LLC i Gasstraße 6 - Haus L 4 Obergeschoß, D-22761 Hamburg, (Char-Broil) garanterar KÖPAREN av denna produkt från Char-Broil att den kommer vara fri från brister i material och utförande från inköpsdatumet på följande sätt:

	Gasgrillar
Brännare	2 år
Grillgaller	2 år
Alla övriga delar (EURO-minimum)	2 år

Char-Broil eller säljaren av denna produkt kan kräva ett giltigt bevis av ditt inköpsdatum. **DÄRFÖR SKA DU SPARA DITT KVITTO ELLER FAKTURA.**

[France only: All products sold by the Seller are covered by the legal warranties provided in Articles 1641 and followings of the Civil Code (warranty against hidden defects) and Articles L. 217-1 to L. 217-14 and L. 411-1 to L. 411-2 of the Consumer Code (warranty of conformity.)

Denna garanti omfattar rätten att reparera eller byta ut produkten eller delar av produkten som visar sig vara defekta vid normal användning och service. Innan du returnerar delar ska du omedelbart kontakta Char-Broil med hjälp av kontaktinformationen på vår webbplats. I händelse av en defekt produkt avgör Char-Broil om produkten ska ersättas eller repareras, kostnadsfritt. Char-Broil returnerar produkten eller delarna av produkten till köparen med förbetald frakt eller porto. Om Char-Broil väljer att reparera produkten, eller defekta delar av produkten, och denna reparation misslyckas har du rätt, i enlighet med dina lagstadgade rättigheter, att minska inköpspriset eller upphäva avtalet och erhålla en återbetalning.

Denna garanti täcker inte fel eller besvär under användning som har uppkommit på grund av en olyckshändelse, missbruk, felanvändning, ändring, felaktig användning, vandalism, felaktig installation eller felaktigt underhåll eller skötsel, eller underlåtenhet att utföra standard- och rutinunderhåll, inklusive men inte begränsat till skador orsakade av insekter i brännrören, enligt beskrivningen i denna bruksanvisning. Undantag kan gälla, var god kontakta Char-Broil eller din säljare om du har några frågor om huruvida denna garanti gäller för ditt specifika fall eller ej.

Förfall eller skador som uppkommit på grund av allvarliga väderhållanden som hagel, orkaner, jordbävningar eller tromber, missfärgning på grund av exponering av kemikalier, antingen direkt eller i atmosfären, omfattas inte av denna garanti och är normalt inte omfattad av dina lagstadgade juridiska rättigheter.

Char-Broil är inte ansvarig för eventuella oförutsedda förluster (dvs. förluster eller skador som varken du, Char-Broil eller säljaren beskådat vid inköpstillfället), eller skador som orsakats av dig, förutom Char-Broils ansvar för bedrägeri, dödsfall eller personskada orsakad av vårdslöshet.

Char-Broil tillåter inte någon person eller företag att påta sig någon skyldighet eller ansvar i samband med försäljning, installation, användning, borttagning, returnering eller byte av utrustning, och inga sådana framställningar är bindande för Char-Broil.

Denna garanti gäller endast produkter som säljs i detaljhandeln till privatpersoner (i motsats till företag) inom den Europeiska unionen.

Denna garanti påverkar inte dina lagstadgade juridiska rättigheter enligt de gällande konsumentlagarna i ditt hemland.

För garantiservice, kontakta Char-Broil på info-eu@charbroil.com.

Char-Broilin takuuehdotusluonnos

Char-Broil LLC of Gasstraße 6 - Haus L 4 Obergeschoß, D-22761 Hamburg, (Char-Broil) takaa tämän Char-Broil-tuotteen OSTAJALLE, että siinä ei ole materiaali- ja valmistusvikoja ostopäivästä alkaen seuraavasti:

	Kaasugrillit
Polttimet	2 vuotta
Keittolevyt / emitterit	2 vuotta
Kaikki muut osat (EURO minimi)	2 vuotta

Char-Broil tai tuotteen myyjä voi vaatia kohtuullista todistusta ostopäivästäsi. **SIKSI SINUN TULEE SÄILYTTÄÄ OSTOKUITTISI TAI LASKUSI.**

[France only: All products sold by the Seller are covered by the legal warranties provided in Articles 1641 and followings of the Civil Code (warranty against hidden defects) and Articles L. 217-1 to L. 217-14 and L. 411-1 to L. 411-2 of the Consumer Code (warranty of conformity.)

Tämä takuu sisältää oikeuden korjata tai vaihtaa tuotteen tai tuotteen osien, jotka osoittautuvat vialliseksi tavanomaisessa käytössä ja huollossa. Ennen minkään osan palauttamista sinun tulee välittömästi ottaa yhteyttä Char-Broiliin verkkosivustossamme oleviin yhteystietoihin. Vianmäärittelyn yhteydessä Char-Broil valitsee tuotteen korvaamisen tai korjauksen ilmaiseksi. Char-Broil palauttaa tuotteen tai tuotteen osan ostajalle, rahti tai postimaksut maksettuina. Jos Char-Broil päättää korjata tuotteen tai tuotteen virheelliset osat ja tämä korjaus epäonnistuu, sinulla on lakisääteisten laillisten oikeuksiesi mukaisesti oikeus alentaa ostohintaa tai peruuttaa sopimus ja saada palautusta.

Tämä takuu ei kata onnettomuuksia, väärinkäytöksiä, tehtyjä muutoksia, virheellisiä käyttötapoja, vandalismia, vääränlaista asennusta tai huollosta taikka huollon aiheuttamia toimintahäiriöitä tai muita toimintahäiriöitä tai tavanomaisen ja rutiininomaisen huollon suorittamatta jättämistä, mukaan lukien, mutta ei rajoittuen, hyönteisten aiheuttamiin vahinkoihin polttimen putkien sisällä, kuten on esitetty tässä omistajan käsikirjassa. Poikkeuksia saattaa olla, joten ota yhteyttä Char-Broiliin tai myyjäsi, jos sinulla on kysyttävää, koskeeko tämä takuu erityisesti teidän tapaukseenne vai ei.

Tämä takuu ei koske vaikeita sääolosuhteita, kuten rakeita, hurrikaaneja, maanjäristyksiä tai tornadoja, jotka johtuvat suoraan tai ilmakehään joutuneille kemikaaleille altistumisesta. Ne eivät yleensä kuulu lakisääteisten oikeuksien piiriin.

Char-Broil ei ole vastuussa mistään ennalta arvaamattomista menetyksistä (tappioista tai vahingoista, jotka sinulle tai Char-Broilille tai myyjälle eivät ole ostohetkellä ajankohtaisia) tai vahingosta, jonka olet aiheuttanut, lukuun ottamatta Char-Broilin vastuuta petoksesta tai laiminlyönnistä aiheutunutta kuolemantapausta tai henkilövahinkoa, joita ei ole rajoitettu.

Char-Broil ei salli kenenkään henkilön tai yrityksen olla vastuussa mistään muista velvoitteista, jotka liittyvät laitteiden myyntiin, asennukseen, käyttöön, poistamiseen, palauttamiseen tai korvaamiseen. Eivätkä tällaiset edustukset sido Char-Broilia.

Tämä takuu koskee vain tuotteita, jotka myydään yksityishenkilöille (toisin kuin yrityksille) Euroopan unionin alueella.

Tämä takuu ei vaikuta lakisääteisiin oikeuksiisi maassasi sovellettavien kuluttajansuojalainsäädäntöjen mukaisesti.

Takuuhuoltoon liittyen, ota yhteyttä Char-Broiliin info-eu@charbroil.com.

Declaración de garantía premilinar de Char-Broil

Char-Broil LLC de Gasstraße 6 - Haus L 4 Obergeschoß, D-22761 Hamburgo, (Char-Broil) garantiza al comprador de este producto de Char-Broil que estará libre de defectos en material y mano de obra a partir de la fecha de compra como sigue:

	Parrillas a gas
Quemadores	2 años
Rejilla de cocción/emisores	2 años
Todas las otras piezas (mínimas para EUROPA)	2 años

Char-Broil o el vendedor del producto podría requerir de una prueba razonable de LA FECHA DE COMPRA. **POR LO TANTO, USTED DEBE GUARDAR EL RECIBO DE VENTA O FACTURA.**

[France only: All products sold by the Seller are covered by the legal warranties provided in Articles 1641 and followings of the Civil Code (warranty against hidden defects) and Articles L. 217-1 to L. 217-14 and L. 411-1 to L. 411-2 of the Consumer Code (warranty of conformity.)

La presente Garantía incluye el derecho de reparación o reemplazo del producto o piezas del producto que resultasen defectuosas bajo un uso y servicio normales. Antes de devolver las piezas, debe comunicarse inmediatamente con Char-Broil utilizando la información de contacto en nuestro sitio web. En caso de defecto, Char-Broil elegirá reemplazar o reparar el producto o dichas piezas sin costo alguno. Char-Broil devolverá el producto o piezas del producto al comprador, bajo la modalidad de flete o porte prepagado. Si elige que Char-Broil repare el producto o esas piezas defectuosas del producto y esa reparación no es adecuada, usted tiene derecho, en virtud de sus derechos estatutarios, a reducir el precio de compra o a rescindir el contrato y recibir un reembolso.

Esta Garantía no cubre fallas o dificultades de funcionamiento por accidente, abuso, mal uso, alteración, aplicación indebida, vandalismo, instalación inadecuada, mantenimiento o reparación indebido, o realización del mantenimiento normal y de rutina, lo que incluye pero no se limita a daños causados por insectos dentro de los tubos del quemador, como se establece en este manual del propietario. Algunas excepciones podrían aplicar, póngase en contacto con Char-Broil o con el vendedor en caso de tener dudas sobre si esta garantía se aplica a su caso específico o no.

El deterioro o daños debido a condiciones climáticas extremas tales como granizo, huracanes, terremotos o tornados, la decoloración debido a la exposición a productos químicos ya sea directamente o en la atmósfera, no están cubiertos por esta Garantía y normalmente no están cubiertos por sus derechos estatutarios.

Char-Broil no es responsable por ninguna pérdida imprevisible (es decir, pérdida o daño que ni usted ni Char-Broil o el vendedor pudiese haber contemplado en el momento de la compra), o cualquier daño causado por usted, salvo la responsabilidad de Char-Broil por fraude, muerte o daños personales causados por su negligencia.

Char-Broil no autoriza a ninguna persona o empresa a asumir cualquier otra obligación o responsabilidad con respecto a la venta, instalación, uso, retiro, devolución o reemplazo de sus equipos; y ninguna de esas declaraciones son vinculantes para Char-Broil.

Esta Garantía sólo se aplica a productos vendidos al por menor a particulares (y no a empresas) dentro de la Unión Europea.

Esta garantía no afecta ninguno de sus derechos estatutarios bajo las leyes del consumidor aplicables de su país residente.

Para el servicio de garantía, póngase en contacto con Char-Broil en info-eu@charbroil.com.

Proposta de Declaração de Garantia para a Char-Broil

A Char-Broil LLC of Gasstraße 6 - Haus L 4 Obergeschoß, D-22761 Hamburg, a (Char-Broil) garante ao COMPRADOR deste produto Char-Broil, que ele está isento de defeitos em termos de material e fabrico a partir da data de aquisição como segue:

	Grelhadores a Gás
Bicos	2 anos
Grelhas/Emissores de cozedura	2 anos
Todas as outras peças (mínimo EURO)	2 anos

A Char-Broil ou o vendedor do produto pode solicitar prova razoável da sua data de aquisição. **PORTANTO, DEVE GUARDAR O SEU RECIBO OU FATURA DE VENDA.**

[France only: All products sold by the Seller are covered by the legal warranties provided in Articles 1641 and followings of the Civil Code (warranty against hidden defects) and Articles L. 217-1 to L. 217-14 and L. 411-1 to L. 411-2 of the Consumer Code (warranty of conformity.)]

Esta Garantia inclui o direito a reparação ou substituição do produto ou peças do produto que se revelem defeituosas sob utilização e serviço normal. Antes de devolver quaisquer peças, deve contactar imediatamente a Char-Broil através das informações de contacto no nosso website. Em caso de defeito, a Char-Broil decidirá substituir ou reparar o produto ou as referidas peças a título gratuito. A Char-Broil devolverá o produto ou as peças do produto ao comprador, através de frete pré-pago ou porte pré-pago. Se a Char-Broil decidir reparar o produto ou as referidas peças defeituosas do produto e se esta reparação falhar, tem direito, de acordo com os seus direitos estatutários legais, a reduzir o preço de aquisição ou a desistir do contrato e a receber um reembolso.

Esta Garantia não cobre quaisquer falhas ou dificuldades de funcionamento devido a acidente, abuso, utilização indevida, alteração, aplicação incorreta, vandalismo, instalação imprópria ou manutenção ou serviço inadequados, ou incapacidade de executar uma manutenção normal e de rotina que incluam, mas se não restrinjam, a danos provocados por insetos dentro dos tubos do bico, conforme determinado neste manual do utilizador. Podem aplicar-se exceções, portanto contacte a Char-Broil ou o seu vendedor caso tenha perguntas ou se esta Garantia se aplicar ou não ao seu caso específico.

Degradação ou danos em virtude de condições atmosféricas adversas, como granizo, furacões, sismos ou tornados, a descoloração resultante da exposição a químicos, diretamente ou na atmosfera, não estão cobertos por esta Garantia e não estão geralmente cobertos pelos seus direitos estatutários legais.

A Char-Broil não é responsável por quaisquer perdas imprevisíveis (i.e. perda ou dano não contemplado por si, pela Char-Broil ou pelo vendedor na altura da aquisição), ou qualquer dano provocado por si, salvo a responsabilidade não limitada da Char-Broil por fraude ou morte ou lesão pessoal decorrente de negligência.

A Char-Broil não autoriza qualquer pessoa ou empresa a assumir por isso qualquer obrigação ou responsabilidade relacionada com a venda, instalação, utilização, remoção ou substituição do seu equipamento e tais representações não vinculam a Char-Broil.

Esta Garantia aplica-se apenas a produtos vendidos a retalho a indivíduos (em oposição às empresas) dentro da União Europeia.

Esta Garantia não afeta qualquer dos seus direitos estatutários legais ao abrigo das leis do consumidor, aplicáveis no seu país de residência.

Para serviço de garantia, contacte a Char-Broil em info-eu@charbroil.com.

Garantierklæring

Char-Broil Europe GmbH af Gasstraße 6 - Haus L 4 Obergeschoß, D-22761 Hamburg, (Char-Broil) garanterer køberen af dette Char-Broil produkt er uden materielle eller fabrikationsfejl som anvist:

	Gas Grills
BRÆNDERE	2 ÅR
GRILLRISTE / SENDERE	2 ÅR
ALLE ANDRE DELE (EURO MINIMUM)	2 ÅR

Både Char-Broil og sælger af produktet kan opkræve et rimeligt bevis for købsdatoen. **DERFOR SKAL DU BEHOLDE DIN KVITTERING ELLER FAKTURA.**

Garantien omfatter retten til reparation eller udskiftning af produktet eller dele af produktet, som kan bevises at være defekt ved normal brug og service. Før du returnere delene, skal du straks kontakte Char-Broil. Du finder kontaktoplysningerne på vores hjemmeside. I tilfælde af fejl, vil Char-Broil erstatte eller reparere produktet eller delene uden beregning. Char-Broil vil returnere produktet eller dele af produktet til køberen, efter forudbetalt fragt eller porto. Hvis Char-Broil vælger at reparere produktet eller de defekte dele af produktet og denne reparation mislykkes, har du ret til, i henhold til dine lovbestemte juridiske rettigheder, at reducere købsprisen eller at fortryde aftalen og blive refunderet.

Denne garanti dækker ikke svigt eller driftsvanskeligheder på grund af uheld, misbrug, ændring, fejlagtig anvendelse, vandalisme, forkert installation eller vedligeholdelse eller service, eller manglende evne til at opfylde normal og rutinemæssig vedligeholdelse, herunder men ikke begrænset til skader forårsaget af insekter i brænderør, som angivet i denne ejers brugervejledning. Ved undtagelser, venligst kontakt Char-Broil eller din sælger, hvis du har spørgsmål om, hvorvidt denne garanti gælder for din konkrete sag eller ej.

Forringelse eller skader som følge af vanskelige vejrforhold såsom hagl, orkaner, jordskælv eller tornadoer, misfarvning som følge af udsættelse for kemikalier, enten direkte eller i atmosfæren, er ikke omfattet af denne garantiforsikring, og er normalt ikke dækket af dine lovmæssige rettigheder .

Char-Broil er ikke ansvarlig for eventuelle uforudsete tab (dvs. tab eller skader, som hverken du, Char-Broil eller sælger har overvejet på købstidspunktet), eller eventuelle skader du kan have forårsaget, med undtagelse af, at Char-Broils ansvar er ubegrænset over for bedrageri, dødsfald eller personskade forårsaget af uagtsomhed.

Char-Broil tillader ikke, at hverken en person eller virksomhed påtager sig nogen andre forpligtelser eller ansvar i forbindelse med salg, installation, brug, fjernelse, returnering eller udskiftning af sit udstyr; og sådanne repræsentationer er ikke bindende for Char-Broil.

Denne GARANTI er kun gældende for produkter, der sælges i detailhandlen til enkeltpersoner (i modsætning til virksomhederne) i den Europæiske Union.

Denne garanti påvirker ikke nogen af dine lovbestemte juridiske rettigheder i henhold til gældende forbrugerlovgivning i dit hjemland.

For garantiservice bør du kontakte Char-Broil på info-eu@charbroil.com.

Utkast til garantierklæring for Char-Broil

Char-Broil LLC, med hovedkontor i Gasstraße 6 - Haus L 4 Obergeschoß, D-22761 Hamburg, (Char-Broil) garanterer overfor KJØPEREN av dette Char-Broil-produktet at det skal være fritt for feil i materialer og utførelse fra følgende kjøpsdato:

	Gassgrillapparater
Brennere	2 år
Grillrister/emittere	2 år
Alle andre deler (EURO-minimum)	2 år

Char-Broil eller selgeren av dette produktet kan kreve rimelige dokumentasjon på kjøpsdatoen. **DERFOR BØR DU TA VARE PÅ KVITTERINGEN ELLER FAKTUREAN.**

[France only: All products sold by the Seller are covered by the legal warranties provided in Articles 1641 and followings of the Civil Code (warranty against hidden defects) and Articles L. 217-1 to L. 217-14 and L. 411-1 to L. 411-2 of the Consumer Code (warranty of conformity.)

Denne garantien omfatter rett til reparasjon eller erstatning av produktet eller deler av produktet dersom det viser seg å ha feil ved normalbruk og service. Før du returnerer deler, må du omgående kontakte Char-Boil ved hjelp av kontaktopplysningene på nettsidene våre. Dersom det påvises feil, vil Char-Broil velge å enten erstatte eller reparere produkter eller de mangelfulle delene, uten kostnad. . Char-Broil vil returnere produktet eller deler av produktet til kjøperen, med forhåndsbefalt frakt eller porto. Hvis Char-Broil velger å reparere produktet eller produktets defekte deler, og hvis slik reparasjon ikke lykkes, har du rett til, i henhold til dine juridiske rettigheter, å redusere kjøpesummen eller trekke deg fra kontrakten og få refundert beløpet.

Denne garantien dekker ikke feil eller driftsvansker som skyldes uhell, misbruk, feilbruk, endringsarbeid, hærverk eller feil montering, vedlikehold eller service, eller manglende utførelse av vanlig og rutinemessig vedlikehold, inkluder, men ikke begrenset til, skade som skyldes insekter i brennerrørene, som forklart i denne brukerhåndboken. Det kan finnes unntak, kontakt derfor Char-Broil eller forhandleren dersom du ikke er sikker på om denne garantien gjelder i nettopp ditt tilfelle eller ikke.

Foringelse eller skade som skyldes vanskelige værforhold som f.eks. hagl, orkan, jordskjelv eller tornado, misfarging som skyldes kjemikalieeksponering, enten direkte eller i atmosfæren, dekkes ikke av denne garantien og dekkes vanligvis heller ikke av dine lovfestede rettigheter.

Char-Broil er ikke ansvarlig for eventuelle uforutsette tap (dvs. tap eller skade som verken du eller Char-Broil forutså på kjøpstidspunktet) eller for skade forårsaket av deg, fortsett fra at Char-Broils skadeansvar for svindel, død eller personskade som skyldes uaktsomhet fra Char-Broils side ikke er begrenset.

Char-Broil tillater ingen personer eller bedrifter å påta seg forpliktelser eller ansvar for selskapet i forbindelse med salg, montering, bruk, fjerning, retur eller utskifting av selskapets utstyr, og ingen slike fremføringer skal være bindende for Char-Broil.

Denne garantien gjelder kun for produkter som selges gjennom detaljhandel til enkeltpersoner (ikke til bedrifter) innenfor EU.

Denne garantien påvirker ingen av dine lovpålagte juridiske rettigheter under gjeldende forbrukerlover i ditt bostedsland.

For garantiservice kan du kontakte Char-Broil på info-eu@charbroil.com.

Záručného Vyhlásenia

Spoločnosť Char-Broil Europe GmbH, Gasstraße 6 - Haus L 4 Obergeschoß, D-22761 Hamburg, (Char-Broil) poskytuje NADOBÚDATEĽOVI dňom zakúpenia tohto výrobku značky Char-Broil nasledujúcu záruku, že nebude mať závady materiálu a spracovania nasledovne:

	Plynové grily
Horáky	2 rokov
Grilovacie mriežky/žiariče	2 roky
Všetky ostatné časti (EURO minimum)	2 roky

Spoločnosť Char-Broil alebo predajca tohto výrobku môže požadovať dôkaz o dátume jeho zakúpenia. **PRETO BY STE SI MALI ÚČTENKU ALEBO FAKTÚRU PONECHAŤ.**

Táto záruka zahŕňa nárok na opravu alebo výmenu výrobku alebo jeho častí, ktoré sa preukážu ako závadné pri normálnom používaní a činnosti výrobku. Pred vrátením ktorejkoľvek časti použite kontaktné informácie na našej internetovej stránke a urýchlene kontaktujte spoločnosť Char-Broil. V prípade závady spoločnosť Char-Broil podľa vlastnej úvahy bezplatne buď vymení alebo opraví výrobok alebo jeho časti. Spoločnosť Char-Broil vráti výrobok alebo jeho časti zákazníkovi a uhradí prepravu a poštovné. Ak sa spoločnosť Char-Broil rozhodne opraviť výrobok alebo jeho závadné časti a oprava nepomôže, budete mať na základe práv vyplývajúcich zo zákona nárok na zníženie kúpnej ceny alebo odstúpenie od zmluvy a preplatenie kúpnej ceny.

Táto záruka sa nevzťahuje na závady a poruchovú činnosť výrobku v dôsledku nehody, zlého zaobchádzania a nesprávneho používania výrobku, jeho pozmenenia, nesprávnej aplikácie, vandalizmu, nesprávnej montáže alebo neprimeranej údržby alebo servisu, alebo neposkytnutia normálnej alebo rutínnej údržby vrátane poškodenia spôsobeného hmyzom vo vnútri trúbok horáka a iného poškodenia ako sa uvádza v Návode na používanie. Môžu platiť určité výnimky, preto v prípade akýchkoľvek otázok v súvislosti s platnosťou tejto záruky vo vašom konkrétnom prípade sa obráťte na spoločnosť Char-Broil alebo vášho predajcu.

Schátranie alebo poškodenie v dôsledku extrémnych klimatických podmienok ako je krupobitie, hurikány, zemetrasenia alebo tornáda, vyblednutie v dôsledku vystavenia chemikáliám alebo či už priamo alebo v ovzduší, táto záruka nepokrýva a zvyčajne sa na ne nevzťahujú ani vaše práva vyplývajúce zo zákona.

Spoločnosť Char-Broil nie je zodpovedná za žiadne nepredvídateľné straty (t.j. stratu alebo poškodenie, ktoré ste vy, spoločnosť Char-Broil alebo predajca v čase kúpy nebrali do úvahy), ani za vami spôsobené poškodenie s výnimkou právnej zodpovednosti spoločnosti Char-Broil v prípade podvodu, smrti alebo úrazu osôb spôsobených jej nedbalosťou.

Spoločnosť Char-Broil neopravňuje žiadnu osobu alebo spoločnosť prevziať na seba v mene spoločnosti Char-Broil žiadne iné záväzky alebo zodpovednosť v súvislosti s predajom, montážou, používaním, demontážou, vrátením alebo výmenou jej zariadenia a uvedené zastupovanie nie je pre spoločnosť Char-Broil záväzné.

Táto záruka sa vzťahuje výlučne na výrobky predávané jednotlivcom v maloobchodnej sieti (na rozdiel od veľkoobchodu) v rámci Európskej únie.

Táto záruka nemá dopad na vaše práva vyplývajúce zo spotrebiteľských zákonov krajiny vášho pobytu.

Svoju žiadosť o servis v rámci záruky zašlite spoločnosti Char-Broil na emailovú adresu info-eu@charbroil.com.

Uppkast að ábyrgðaryfirlýsingu fyrir Char-Broil

Char-Broil LLC með aðsetur að Gasstraße 6 - Haus L 4 Obergeschoß, D-22761 Hamborg, (Char-Broil) ábyrgist að KAUPANDI þessarar Char-Broil vöru muni kaupa vöru sem er laus við galla í efni og vinnu frá dagsetningum kaupa á eftirfarandi máta:

	Gasgrill
Brennarar	2 ár
Eldunargrindur, hitunarfletir	2 ár
Allir aðrir hlutar (lágmark í Evrópu)	2 ár

Char-Broil eða söluaðili vörunnar kann að gera kröfu um sönnun á dagsetningum kaupa. **ÞVÍ ÆTTIR ÞÚ AÐ GEYMA SÖLUKVITTUN ÞÍNA EÐA -REIKNING.**

[France only: All products sold by the Seller are covered by the legal warranties provided in Articles 1641 and followings of the Civil Code (warranty against hidden defects) and Articles L. 217-1 to L. 217-14 and L. 411-1 to L. 411-2 of the Consumer Code (warranty of conformity.)

Þessi ábyrgð felur í sér rétt á viðgerð eða endurnýjun vörunnar eða hlutum vörunnar sem reynast gallaðir við hefðbundna notkun og þjónustu. Áður en skilað er hlutum skal hafa samband við Char-Broil með því að nota samskiptaupplýsingarnar sem finna má á vefsvæðinu okkar. Ef um galla er að ræða ákveður Char-Broil hvort skipt verði við eða gert við vöruna eða slíka hluta án endurgjalds. Char-Broil skilar vörunni eða hlutum vörunnar til kaupanda, flutnings- er fyrirfram greiddur. Ef Char-Broil ákveður að gera við vöruna eða slíka gallaða hluta vörunna og sú viðgerð virkar ekki átt þú rétt á, í samræmi við lögbundinn rétt þinn, að fá lækkað innkaupsverð þitt eða afturkalla samninginn og fá endurgreiðslu.

Þessi ábyrgð nær ekki yfir bilun eða notkunarvanda vegna slyss, misnotkunar, skemmdarverka, óviðeigandi uppsetningar eða óviðeigandi viðhalds eða þjónustu, eða ef hefðbundnu og venjubundnu viðhaldi er ekki sinnt, þar á meðal en ekki takmarkað við tjón sem orsakast af skordýrum inni í brennararörum, eins og lýst er í eigandahandbókinni. Undanþágur kunna að eiga við. Vinsamlegast hafðu samband við Char-Broil eða söluaðila þinn ef þú hefur einhverjar spurningar varðandi hvort þessi ábyrgð eigi við sértækt tilvik þitt eða ekki.

Slit eða tjón vegna alvarlegra veðurbrigða á borð við haglé, hvirfilbyli, jarðskjálfta eða fellibyli, upplitun vegna útsetningar fyrir efnum annaðhvort beint eða í andrúmsloftinu, fellur ekki undir þessa ábyrgð og er yfirleitt ekki hluti af þínum lögbundnu réttindum.

Char-Broil ber ekki ábyrgð á ófyrirsjáanlegu tjóni (t.d. Tjóni eða skemmdum sem hvorki þú né Char-Broil eða söluaðilinn sá fyrir við kaupin), eða tjón sem orsakað er af þér, að undanskildri ábyrgð Char-Broil hvað varðar svik eða líkamstjón sem orsakast af vanrækslu.

Char-Broil veitir engum aðila eða fyrirtæki leyfi til að taka á hendur skuldbindingar fyrir sig eða ábyrgð í tengslum við sölu, uppsetningu, notkun, brott nám, skil eða endurnýjun búnaðar síns; og ekkert slíkt umboð er bindandi fyrir Char-Broil.

Þessi ábyrgð á aðeins við vörur sem sendar eru í smásölu til einstaklinga (ekki fyrirtækja) í Evrópusambandinu.

Þessi ábyrgð hefur engin áhrif á lögbundin réttindi þíns samkvæmt gildandi neytendalögum í búsetulandi þínu.

Frekari upplýsingar um ábyrgðina má nálgast með því að hafa samband við Char-Broil á netfangið info-eu@charbroil.com.

Záručního Listu

Char-Broil Europe GmbH se sídlem na Gasstraße 6 - Haus L 4 Obergeschoß, D-22761 Hamburg, (Char-Broil) zaručuje kupujícímu tohoto produktu Char-Broil, že na něm nebudou závady, ani na materiálu ani provedení, od data koupě, následovně:

	Plynové Grily
Hořáky	2 roků
Rošty/sálače	2 roky
Všechny ostatní součástky (EURO minimum)	2 roky

Char-Broil nebo prodejce produktu může požadovat důkaz s datem koupě. **PROTO, SI VŽDY SCHOVEJTE ÚČTENKU, POKLADNÍ LÍSTEK NEBO FAKTURU.**

Tato Záruka zahrnuje právo na opravu nebo náhradu výrobku nebo jeho součástí, které se ukážou jako závadné při normálním používání nebo údržbě. Před reklamací jakékoli součástky ihned kontaktujte Char-Broil podle údajů uvedených na naší webové stránce. Jde-li o závadu, Char-Broil rozhodne, zda produkt nebo dané součástky vymění nebo opraví zdarma. Char-Broil vrátí produkt nebo jeho součástky zákazníkovi a dopravní náklady nebo poštovné budou uhrazeny. Pakli se Char-Broil rozhodne produkt nebo dané závadné součástky opravit a tato oprava se nepodaří, máte v souladu se zákonem nárok na sníženou kupní cenu nebo právo ustoupit od kupní smlouvy a požadovat vrácení peněz.

Tato Záruka se nevztahuje na selhání nebo provozní potíže, které jsou následkem nehody, špatného používání či zacházení, pozměnění, nesprávného používání, vandalismu, nesprávné instalace, nesprávné údržby nebo servisu, nebo následkem neplnění normální a pravidelné údržby, zahrnující mimo jiné hmyzem způsobené škody na vnitřních trubičkách hořáků, jak je popsáno v této příručce pro uživatele. Mohou platit výjimky, proto kontaktujte Char-Broil nebo prodejce s dotazy, jestli tato Záruka platí ve vašem konkrétním případě nebo ne.

Zchátrání nebo poškození následkem drsného počasí jako např. kroupy, uragán, zemětřesení nebo tornáda, vyblednutí způsobené přímým vystavením chemikáliím nebo látkami obsaženými ve vzduchu, tato Záruka nekryje a neplatí zde běžná ochrana podle zákona.

Char-Broil nenese zodpovědnost za žádné nepředvídatelné ztráty (tj. ztráty nebo škody, o kterých jste vy ani Char-Broil ani prodejce neuvažovali v době koupě), ani za škody, které jste způsobil(a) vy, s výjimkou, že odpovědnost firmy Char-Broil za podvod, smrt nebo úraz, způsobené její nedbalostí není omezená.

Firma Char-Broil neopravňuje žádnou jinou osobu nebo společnost k tomu, aby za ni převzala jakoukoli jinou povinnost nebo zodpovědnost ve spojitosti s prodejem, s instalací, s odstraněním, s používáním, s reklamací, s vrácením nebo s výměnou svého vybavení, a žádná taková prohlášení nejsou pro Char-Broil závazná.

Tato Záruka se vztahuje pouze na výrobky prodané v maloobchodě jednotlivcům (nikoliv podnikům) v Evropské Unii.

Tato Záruka nijak neovlivňuje vaše zákonem daná práva v souladu s platnými zákony o ochraně spotřebitelů ve státě vašeho bydliště.

V případě potřeby zárukou daného servisu se obraťte na Char-Broil na info-eu@charbroil.com.

טיוטת תעודת אחריות עבור Char-Broil

Char-Broil LLC of Gasstraße 6 - Haus L 4 Obergeschoß, D-22761 Hamburg
שהמוצר חפשי מפגמים בחומרים ובטיב העבודה מיום הרכישה, כדלקמן:

גריל גז	
2 שנים	מבערים
2 שנים	סבכות בישול/ פולטים
שנתיים	כול החלקים האחרים (מינימום EURO)

Char-Broil או מוכר המוצר עשוי לדרוש הוכחה סבירה של תאריך הרכישה. לכן כדאי לשמור את הקבלה או החשבונית.

[France only: All products sold by the Seller are covered by the legal warranties provided in Articles 1641 and followings of the Civil Code (warranty against hidden defects) and Articles L. 217-1 to L. 217-14 and L. 411-1 to L. 411-2 of the Consumer Code (warranty of conformity).]

אחריות זו כוללת את הזכות לתקן או להחליף את המוצר או חלקים ממנו שנמצאו פגומים לאחר שימוש ותחזוקה רגילים. לפני החזרת חלקים כלשהם יש ליצור קשר עם Char-Broil בעזרת פרטי הקשר שמופיעים באתר האינטרנט שלנו. בנקרה שיתגלה פגם, Char-Broil תבחר אם להחליף או לתקן את המוצר או החלק ללא תשלום. Char-Broil תחזיר את המוצר או את חלקי המוצר לרוכש, ותשלם את הוצאות המשלוח. אם Char-Broil תחליט לתקן את המוצר או את החלקים הפגומים של המוצר והתיקון נכשל, הזכות בידך, בהתאם לזכויותיך על פי חוק, להקטין את מחיר הרכישה או לסגת מההסכם החוזי ולקבל החזר כספי.

אחריות זו אינה מכסה כל כישלון או קשוי הפעלה שנובעים מתאונה, שימוש לא נאות, שימוש לא נכון, שינויים, שימוש למטרה שהמכשיר לא נועד לה, ונדליזם, התקנה לא נכונה או תחזוקה וטיפול לא נכונים, או במקרה שתחזוקה שגרתית ורגילה לא בוצעה, כולל, אך לא רק, נזקים שייגרמו כתוצאה מחרקים בתוך צינורות הבערה, כפי שמצוין בהוראות השימוש. יוצאים מן הכלל ייתכנו, לפיכך צרו קשר עם Char-Broil או עם המוכר אם ברצונכם לברר אם אחריות זו מכסה את הבעיה הספציפית שלכם או לא.

נזק או בלאי שייגרמו כתוצאה ממצבי מזג אוויר חמורים כגון ברד, סופת הוריקן, רעידות אדמה או טורנדו, שינוי צבע כתוצאה מחשיפה לכימיקלים – ישירות או כימיקלים באטמוספירה – אינם מכוסים על ידי אחריות זו, ובדרך כלל אינם מכוסים על פי זכויותיכם על פי חוק.

Char-Broil אינה אחראית לכול הפסד בלתי-צפוי (כגון הפסד או נזק שלא את/ה ולא Char-Broil או המוכר יכולתם לצפות בעת הרכישה), או כול נזק שנגרם על ידך, מלבד העובדה שאחריות Char-Broil למקרה תרמית או מוות או פציעה שייגרמו כתוצאה מרשלנותה אינה מוגבלת.

Char-Broil אינה מאשרת לאף אדם או חברה לקחת על עצמו/ה כול מחויבות או אחריות בקשר עם מכירה, התקנה, שימוש, פינוי, החזרה, או החלפה של הציוד שלה; כול התחייבות מסוג זה אינה מחייבת את Char-Broil.

אחריות זו תקפה רק למוצרים שנמכרו בקמעונאות ליחידים (בניגוד לעסקים) בתחומי האיחוד האירופי.

אחריות זו אינה משפיעה על זכויותיך החוקיות על פי חוקי הצרכנות הרלבנטיים בארץ מגוריך.

לשירות על פי אחריות זו נא ליצור קשר עם Char-Broil באתר info-eu@charbroil.com



(GB) NOTE: This information is a guide only. Items included in your BBQ specification may differ depending on region or specific dealer specification.

(CH) (FR) NOTE: Ces renseignements sont donnés à titre indicatif. Il est possible que les articles inclus dans les spécifications de votre barbecue diffèrent selon la région ou les caractéristiques stipulées par le concessionnaire.

(LU) (AT) (CH) (DE) ANMERKUNG: Diese Anleitung dient nur zu Informationszwecken. Einzelteile der Grillspezifikation sind unter Umständen verschieden entsprechend der Vertriebsregion oder bestimmten Händleranforderungen.

(CH) (IT) AVVERTENZA: Queste informazioni hanno il valore di guida soltanto. Gli articoli compresi nelle caratteristiche tecniche del barbecue potrebbero variare a seconda della regione o del concessionario.

(LU) (BE) (NL) ATTENTIE: Deze informatie is alleen bedoeld als gids. Onderdelen in uw BBQ specificatie en pakket kunnen per regio of per dealer verschillen.

(SE) ANM.: Denna information är endast avsedd som handledning. Specifikationerna för grillen kan variera regionalt eller beroende på de var som olika återförsäljare har.

(FI) HUOMATKAA: Nämä tiedot ovat pelkästään suuntaa antavia. ostamanne grillin yksityiskohdat voivat olla erilaiset paikkakunnan tai erityisten myykohtaisten yksityiskohtien mukaan.

(ES) NOTA: Esta información es una guía únicamente. Es posible que las indicaciones incluidas en las especificaciones de su Asador sean diferentes según la región o las especificaciones específicas del representante.

(PT) NOTA: Esta informação é simplesmente um guia. Os itens incluídos na especificação do seu BBQ poderão diferir dependendo da especificação da região ou do vendedor específico.

(DK) NB.: Denne information er kun vejledende. Specifikationer kan variere efter ønske fra forhandler, eller i henhold til nationale regler.

(NO) NB.: Denne informasjon er kun veiledende. Spesifikasjoner kan variere som stipulert av forhandler, eller i henhold til nasjonale krav.

(SK) POZNÁMKA: Tieto informácie slúžia len ako pomôcka. Údaje uvedené v technických údajoch vášho grilu sa môžu líšiť podľa regiónu alebo špecifických technických údajov stanovených predajcom.

(IS) ATHUGIÐ: Þessar upplýsingar eru aðeins leiðbeinandi. Hlutir sem finna má í lýsingu á grilli þínu geta verið mismunandi á milli svæða eða söluaðila.

(CZ) POZNÁMKA: Tyto informace slouží pouze jako instruktáž. Součástí vašeho BBQ. Specifikace se mohou lišit podle regionu/země nebo specifických údajů prodejce.

(IL) הערה: מידע זה נועד לייחוס בלבד. הפריטים הכלולים במפרט של מכשיר הגריל שברשותך עשויים להשתנות בהתאם לאזור או לדרישות של מפיץ מסוים.

All specifications are subject to change without notice.

Toutes les caractéristiques sont susceptibles d'être modifiées sans préavis.

Änderungen ohne vorherige Bekanntgabe vorbehalten.

Tutti i dati tecnici possono cambiare senza preavviso.

Alle specificaties kunnen zonder voorafgaande kennisgeving worden gewijzigd.

Kaikki oikeudet teknisten tietojen muutoksiin pidätetään.

Kaikki yksityiskohdat voivat muuttua ilman etta niistä erikseen ilmoitetaan.

Todas las especificaciones estan sujetas a cambios sin previo aviso.

Todas as especificações estão sujeitas a alteração sem aviso.

Alle specifikationer kan ændres foruden varsel.

Spesifikasjoner kan endres uten varsel.

Všetky špecifikácie sa môžu zmeniť bez upozomenia.

Allar lýsingar eru háðar breytingum án viðvörunar.

Všechny informace mohou být změněny bez předchozího upozornění.

כל המפרטים כפופים לשינויים ללא הודעה.



Char-Broil Europe GmbH
Gasstr. 6 - Haus L
4. Obergeschoss
D-22761 Hamburg

© 2016 Char-Broil, LLC
Columbus, GA 31902, U.S.A.
charbroil.eu