

A × 4



90 × 20 × 16 mm

B × 8



M6 × 35 mm

C × 8



M6 × 15 mm

D × 1

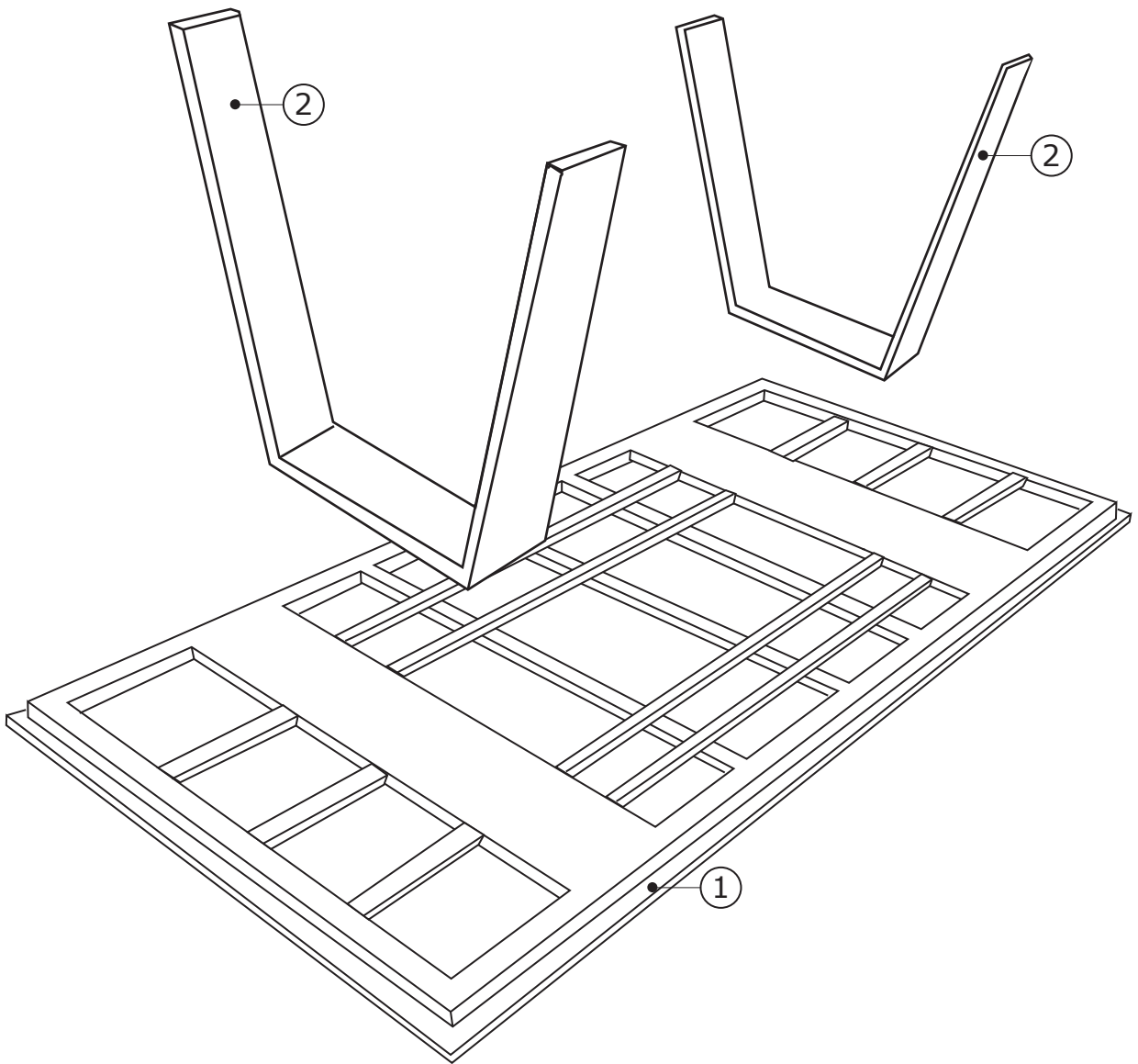


T 25

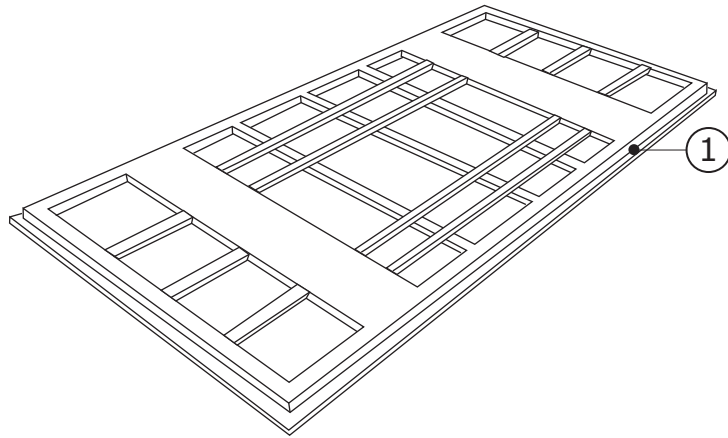
E × 16



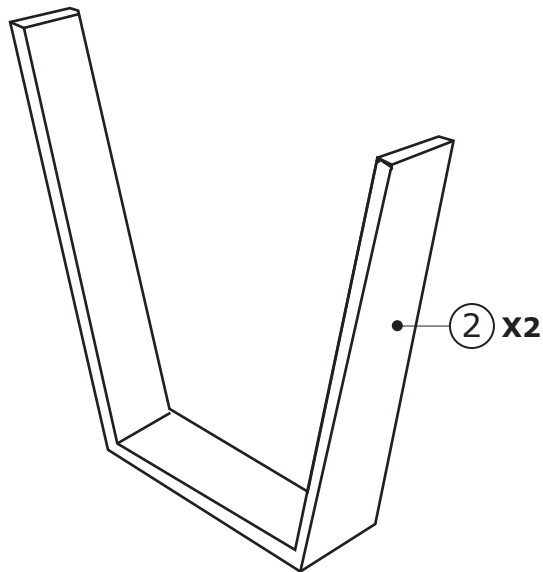
∅14 mm



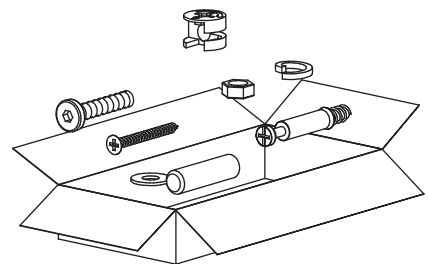
Box 1/1:



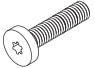

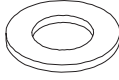
220×100×65mm

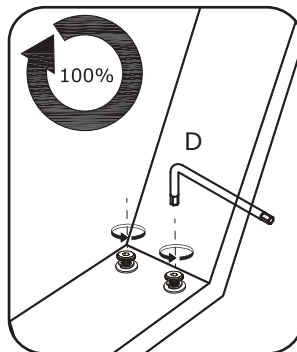
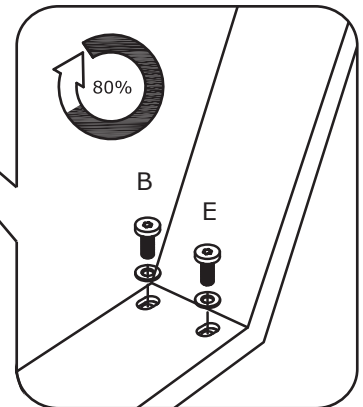
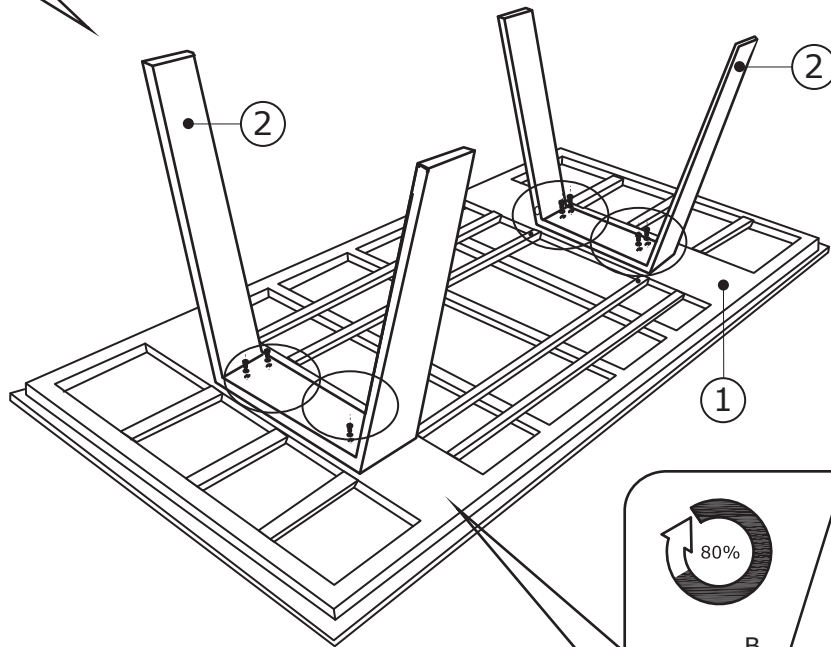
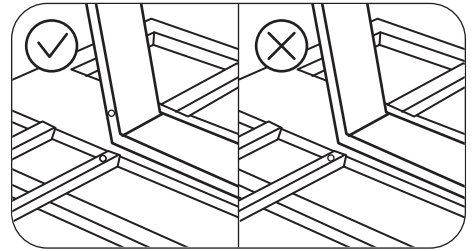
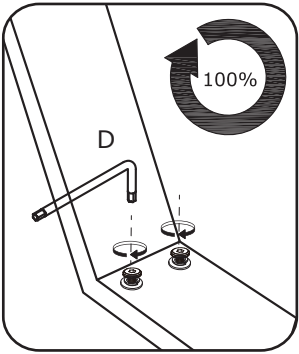
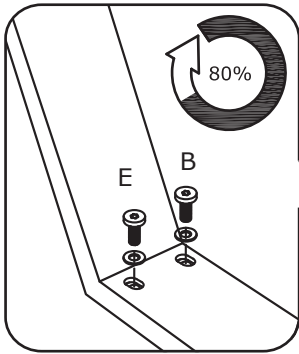


820×100×705mm







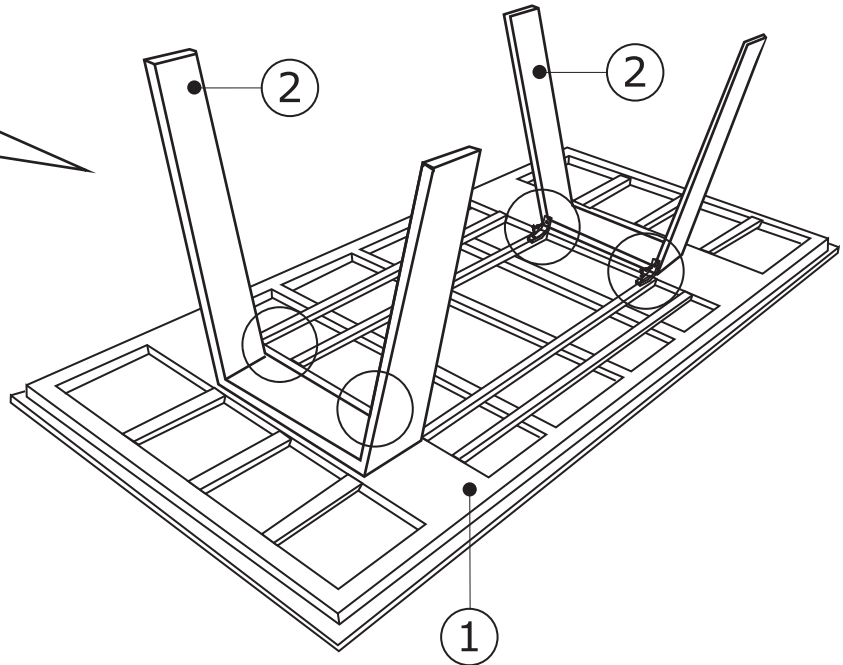
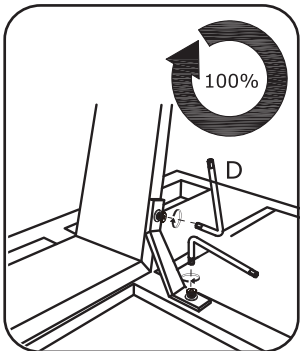
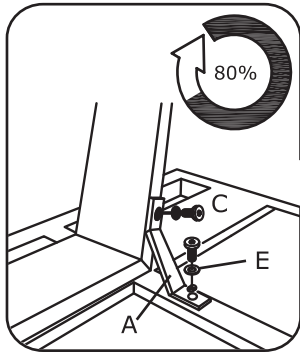
1

<p>B × 8</p>  <p>M6 × 35 mm</p>	<p>D × 1</p>  <p>T 25</p>	<p>E × 8</p>  <p>ø14 mm</p>	
--	--	--	--



2

A × 4  90×20×16 mm	C × 8  M6×15 mm	D × 1  T 25	E × 8  φ14 mm	
---	--	--	--	--



3

