

User manual basketball hoop on plate model no 304002



CE

Congratulation with your new My Hood basketball hoop on plate with ball.

Below important you shall read carefully before using MY Hood basketball hoop on plate.

Use of My Hood Basketball hoop on plate - Safety & warnings:

WARNING



- Basketball hoop on plate is not for children below 3 years. Contain small parts that can cause choking hazards.
- It's important to follow the safety, warnings and user manual guidelines.
- Basketball hoop on plate must be assembled by an adult and an adult shall always do supervision when children use My Hood Basketball hoop on plate.
- Basketball hoop on plate must be mounted on a wall.
- Check brackets and screw frequently, since they can get loose during use.
- It's recommended frequently to clean the ball with water and soap, to avoid spreading bacteria among different users.

Use:

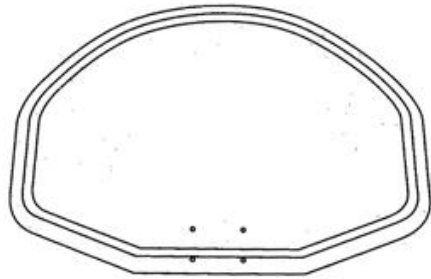
- When using basketball hoop on plate, it's important the surface is dry to avoid anybody from falling.
- On next page you will find assembly instructions. Please follow these instructions and make sure screws and brackets are securely tightened.

Produced in China for Euro Play, Industrivej 16, DK-6630 Rødding.

PARTS LIST

<u>Item</u>	<u>Qty.</u>	<u>Description</u>	<u>Item</u>	<u>Qty.</u>	<u>Description</u>
1	1	Backboard	5	1	Net
2	4	Expansile tube			
3	4	Self-drill bolt			
4	1	Rim			

HARDWARE IDENTIFIER



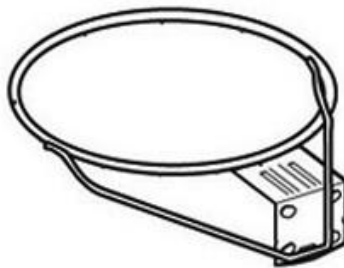
1



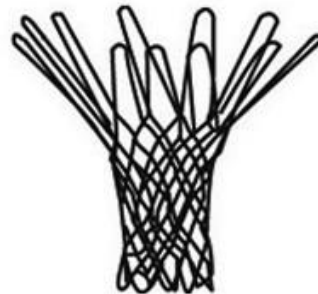
2



3

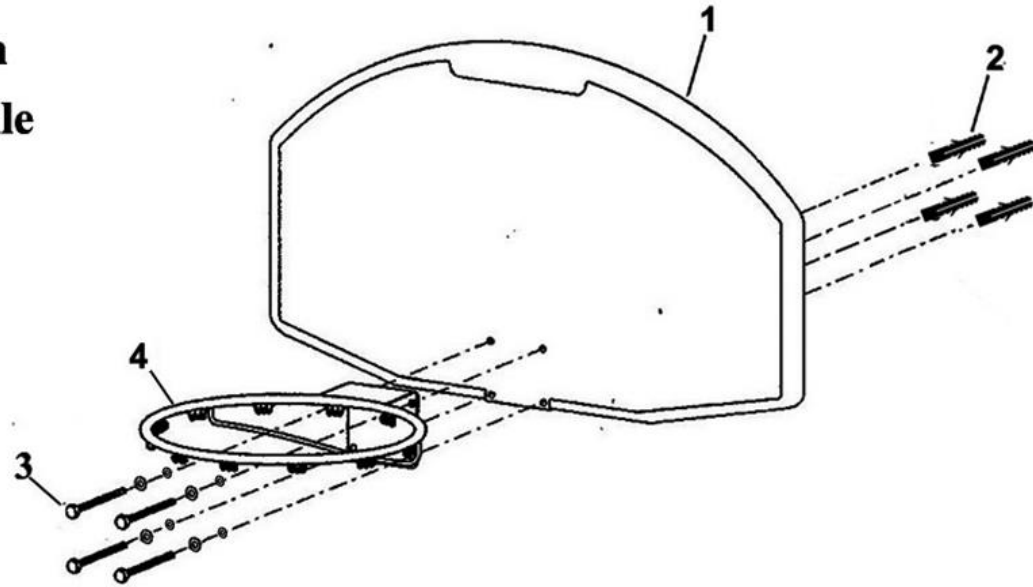


4



5

- 1.** Drill four holes on the wall according to the hole distance on the backboard. Put 4 pcs expansile tube inside them. Fix the rim & backboard by self-drill(3) bolt on the wall as shown. Tighten all the bolts by spanner, make sure the whole backboard system is installed on the wall firmly.



- 2.** Install net (5).

