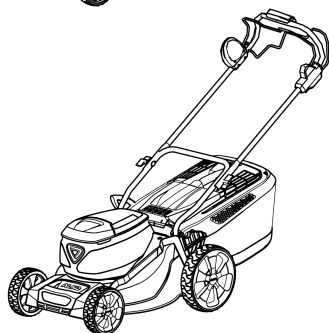
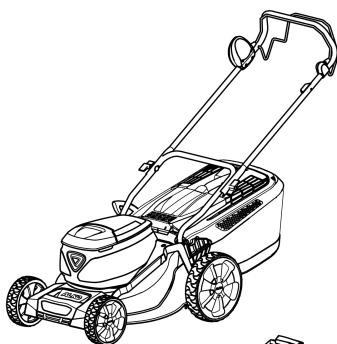


MONTAGEANLEITUNG

AKKU-RASENMÄHER



DE

GB

NL

FR

ES

PT

IT

SI

HR

RS

PL

CZ

SK

HU

DK

SE

NO

FI

EE

LT

LV

RO

BG

RU

UA

GR

MK

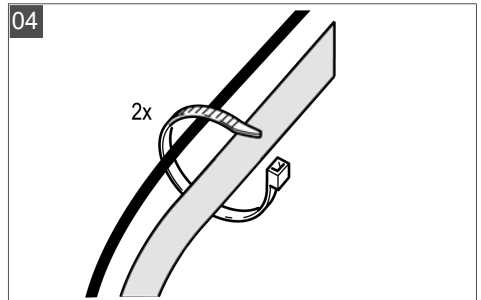
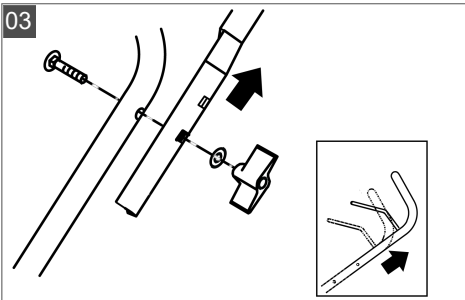
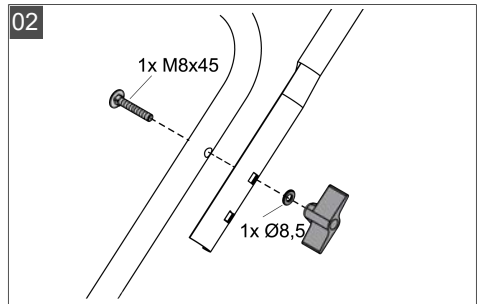
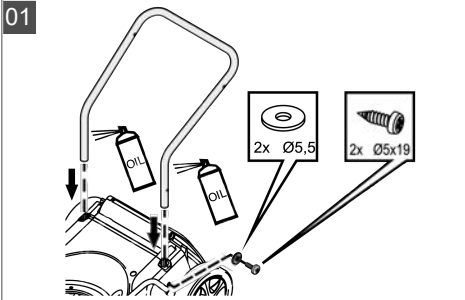
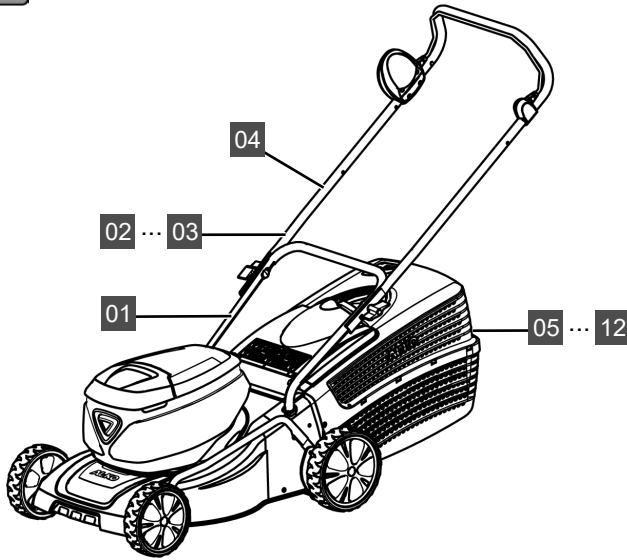
TR



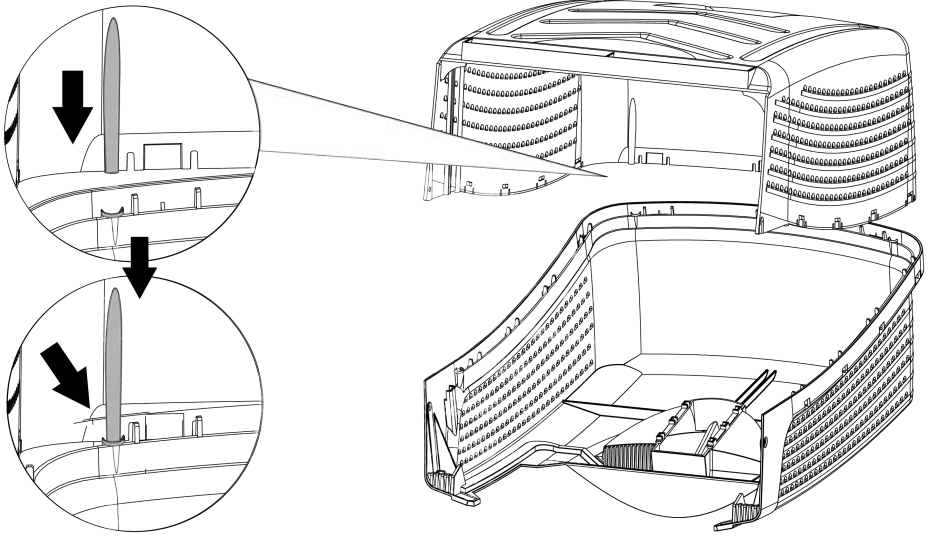


42 cm

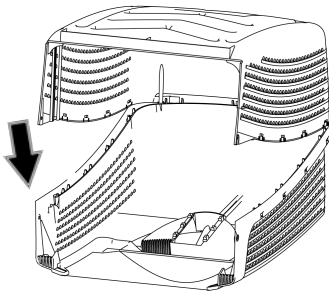
AL-KO



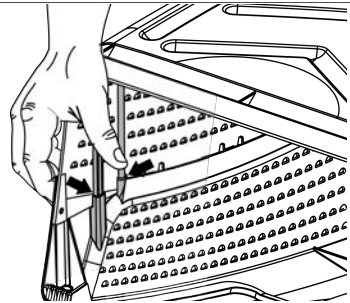
05



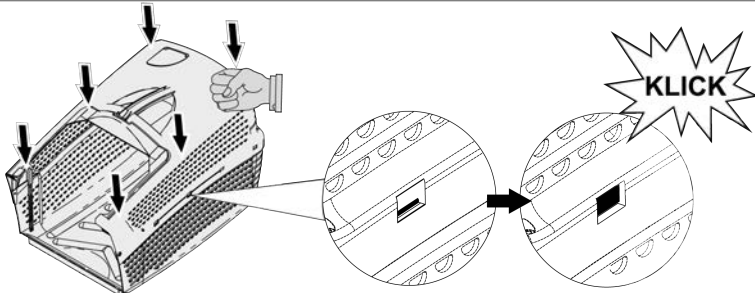
06



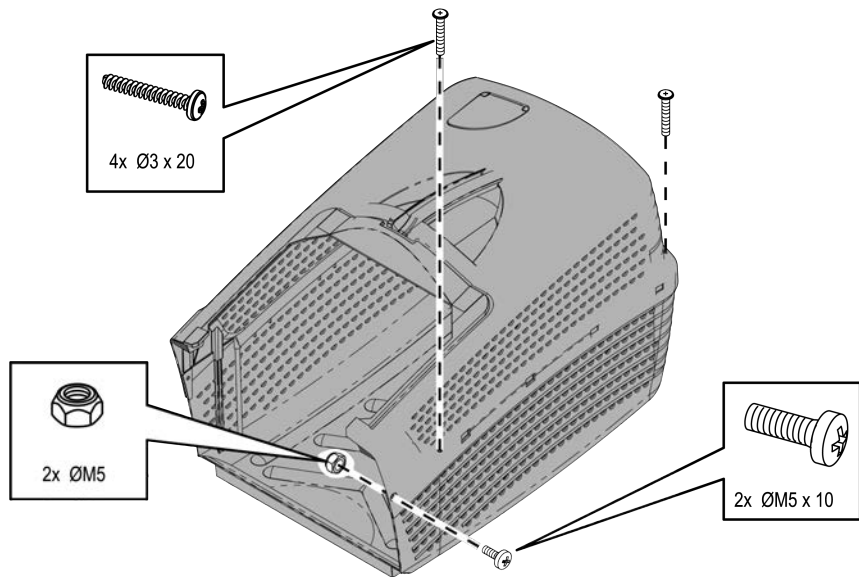
07



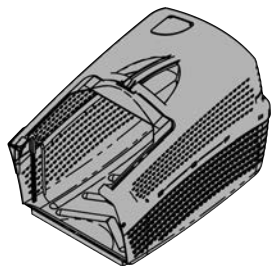
08



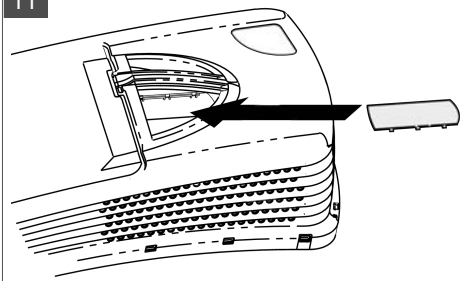
09



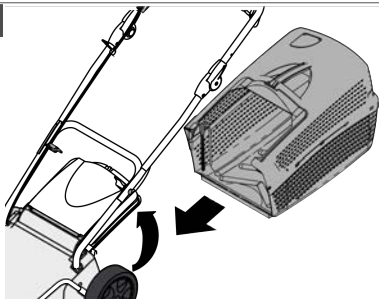
10



11



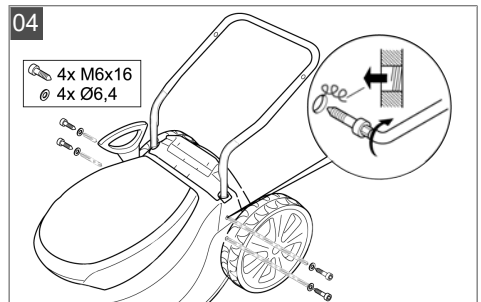
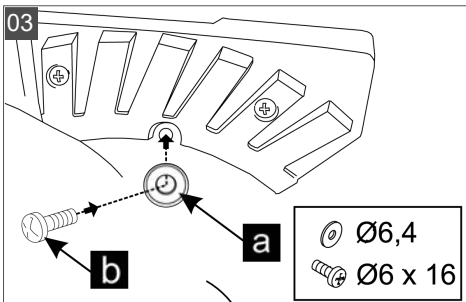
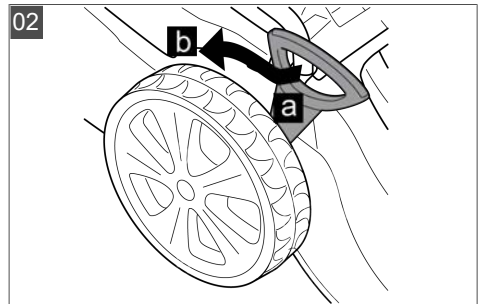
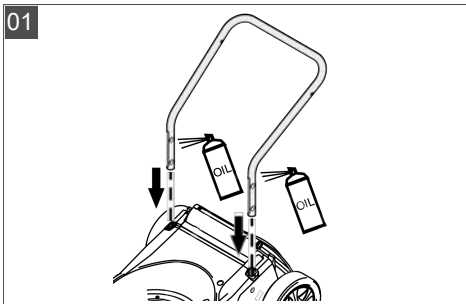
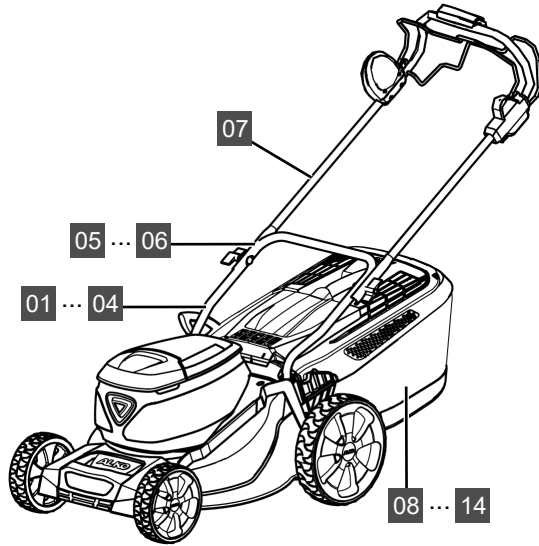
12

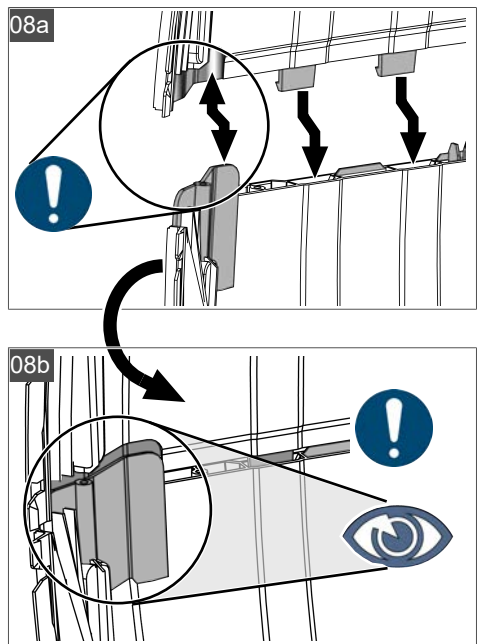
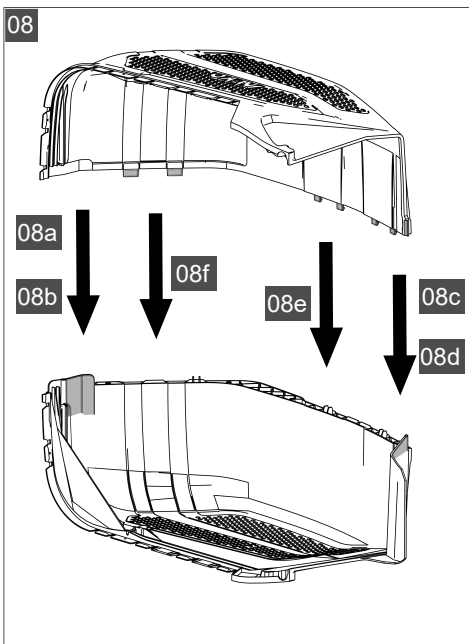
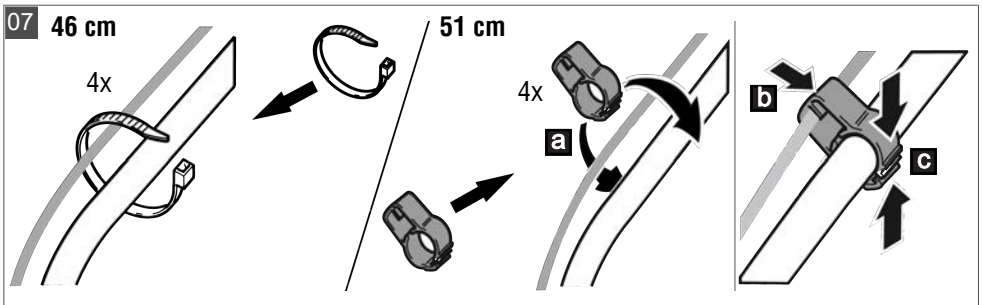
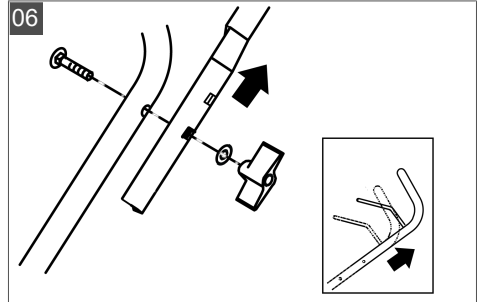
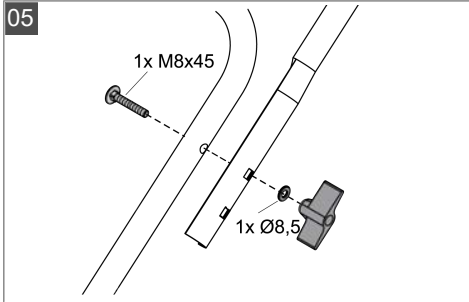


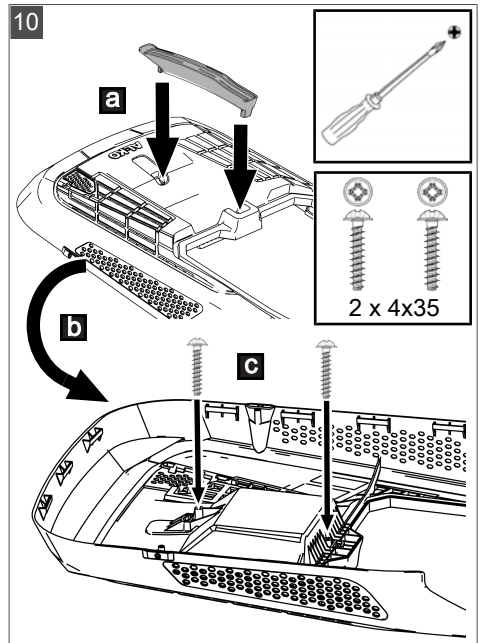
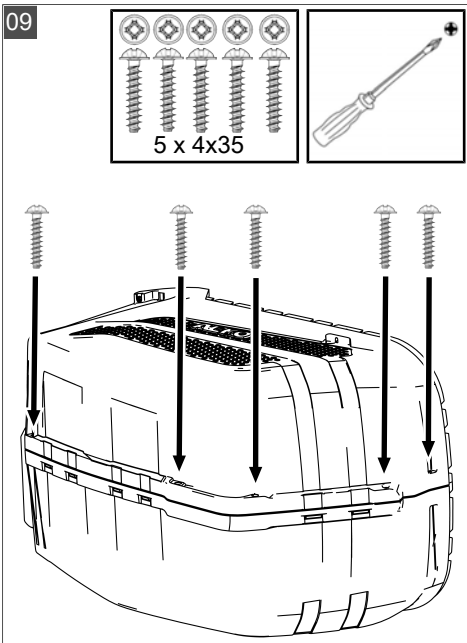
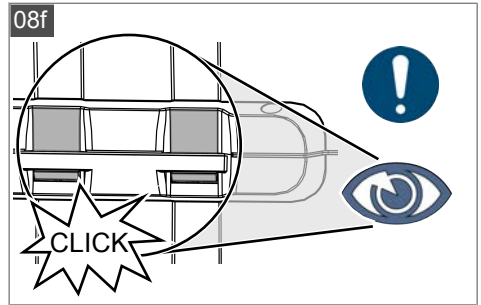
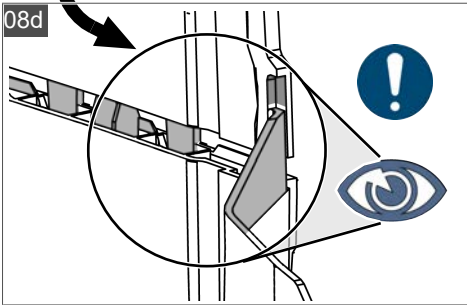
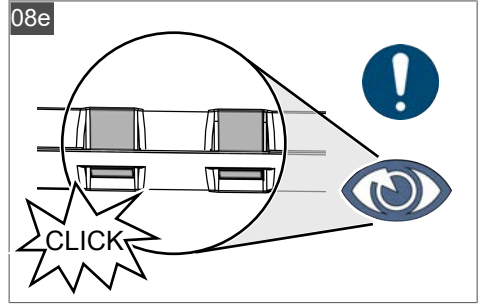
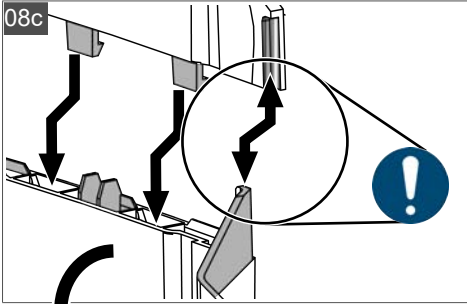


46 cm, 51 cm

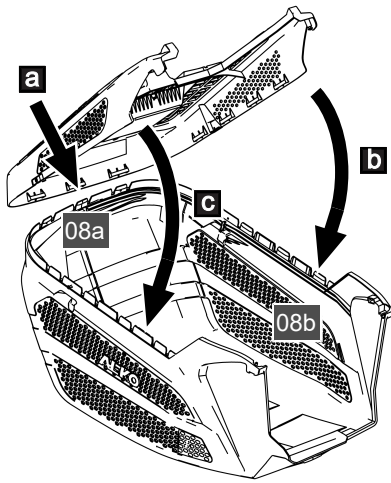
AL-KO



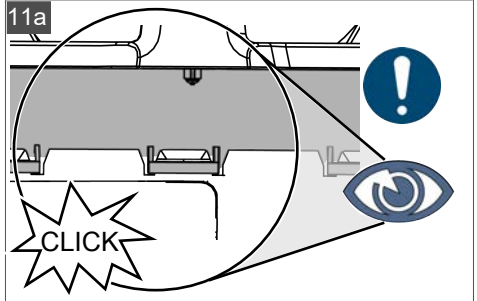




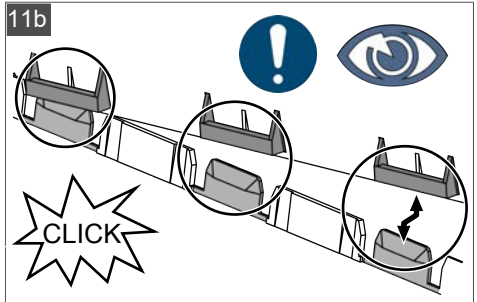
11



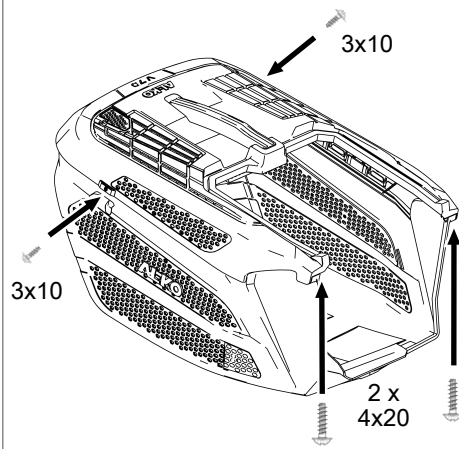
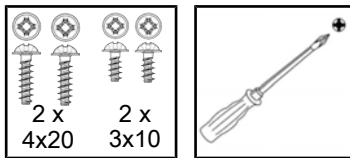
11a



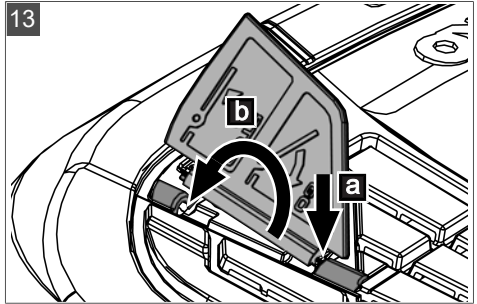
11b



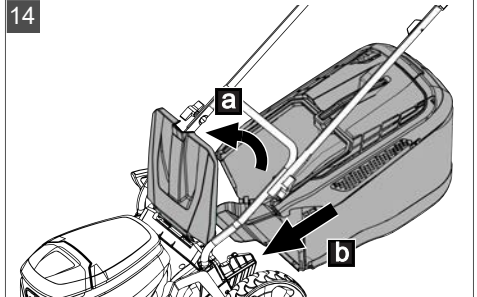
12



13



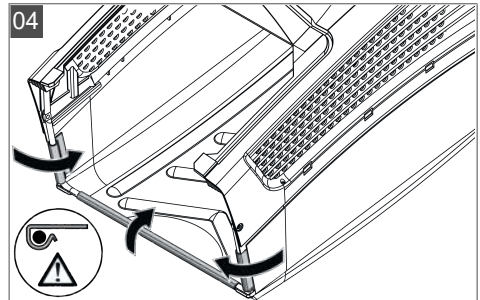
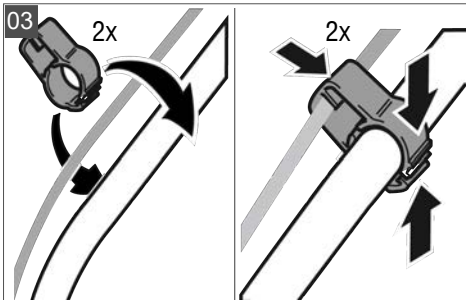
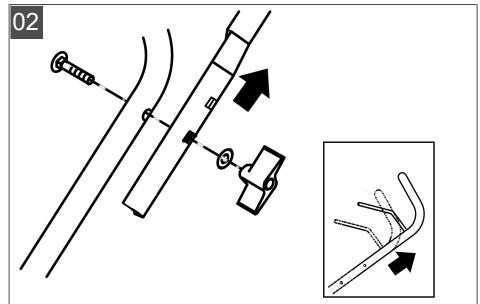
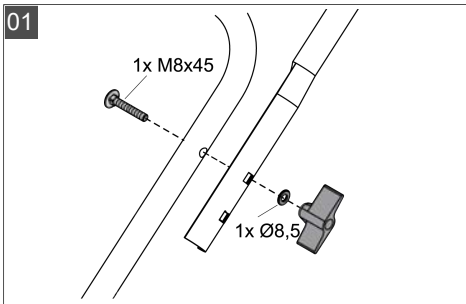
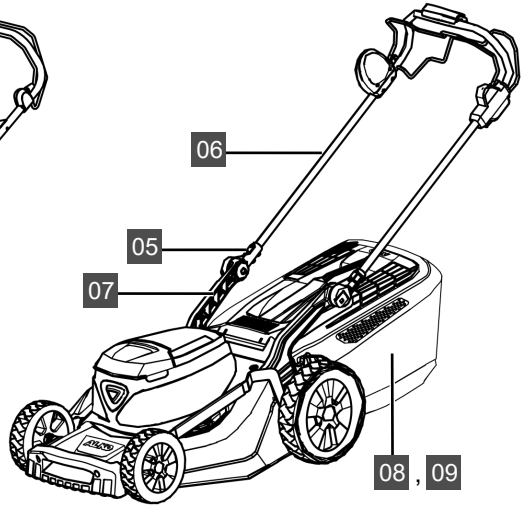
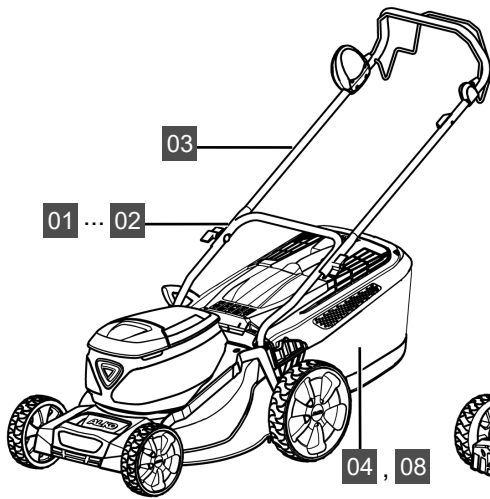
14

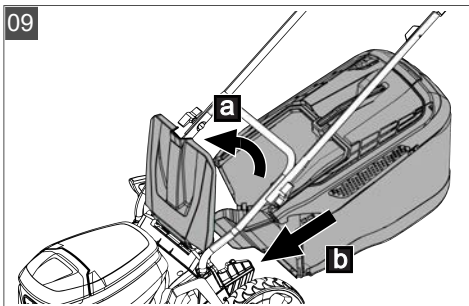
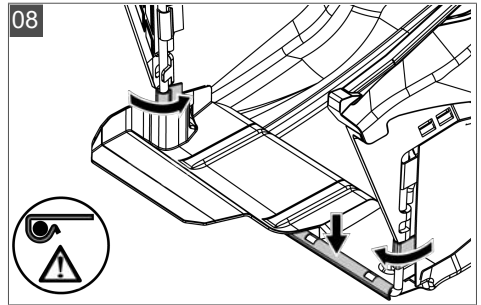
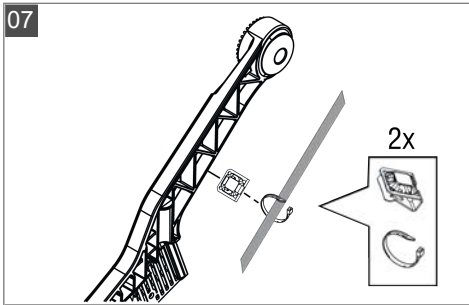
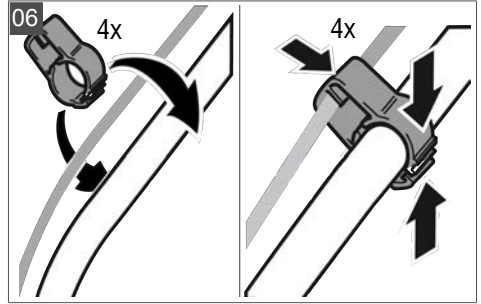
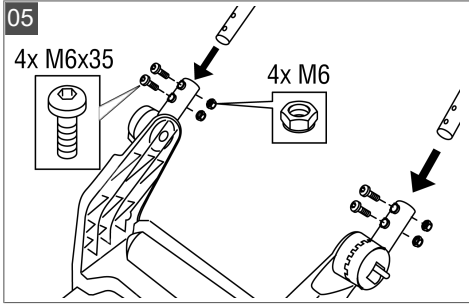

















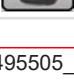
42 cm, 46 cm, 51 cm

solo[®]
by AL-KO





















	AL-KO 42.2 Li	AL-KO 46.2 Li SP	AL-KO 4.64 Li P	AL-KO 46.2 Li SP-W	AL-KO 512 Li VS-W	AL-KO 51.4 Li SP
	42 cm	46 cm	46 cm	46 cm	51 cm	51 cm
	119977 123009	119978 123010	123092	119979 123011	119980 123012	123086
	B150 Li 1x 2x	B150 Li 1x 2x	B150 Li 1x -	B150 Li 1x 2x	B200 Li 1x 2x	B200 Li 1x -
	1x 1x	1x 1x	1x -	1x 1x	1x 1x	1x -
	24 kg	29,7 kg	29,8 kg	29,7 kg	32 kg	30 kg
	65 l	70 l	70 l	70 l	70 l	70 l
	2,5 cm – 7,5 cm	3,0 cm – 8,0 cm	3,0 cm – 8,0 cm	3,0 cm – 8,0 cm	3,0 cm – 8,0 cm	3,0 cm – 8,0 cm
	7 stages (central)					
	-	x (fix)	-	x (fix)	x (variable)	x (fix)
	900 W	900 W	900 W	900 W	1200 W	1200 W
	max. 2900 min ⁻¹	max. 2900 min ⁻¹	max. 2900 min ⁻¹	max. 2900 min ⁻¹	max. 2900 min ⁻¹	max. 2900 min ⁻¹
	-	x	-	x	x	x
	-	-	-	-	x	-
	-	-	-	-	x	-



	AL-KO 42.2 Li	AL-KO 46.2 Li SP	AL-KO 4.64 Li P	AL-KO 46.2 Li SP-W	AL-KO 512 Li VS-W	AL-KO 51.4 Li SP
	-	-	-	20 dBm 2400 MHz - 2483,5 MHz		
	-	-	-	x	x	-
	-	x	-	x	x	x
	$L_{pA} = 68,9 \text{ dB(A)}$ $K = 1,9 \text{ dB(A)}$	$L_{pA} = 69,1 \text{ dB(A)}$ $K = 1,9 \text{ dB(A)}$	$L_{pA} = 69,1 \text{ dB(A)}$ $K = 1,9 \text{ dB(A)}$	$L_{pA} = 69,1 \text{ dB(A)}$ $K = 1,9 \text{ dB(A)}$	$L_{pA} = 74,2 \text{ dB(A)}$ $K = 2,2 \text{ dB(A)}$	$L_{pA} = 74,2 \text{ dB(A)}$ $K = 2,2 \text{ dB(A)}$
	$L_{WA} = 88,9 \text{ dB(A)}$ $K = 1,9 \text{ dB(A)}$	$L_{WA} = 89,1 \text{ dB(A)}$ $K = 1,9 \text{ dB(A)}$	$L_{WA} = 89,1 \text{ dB(A)}$ $K = 1,9 \text{ dB(A)}$	$L_{WA} = 89,1 \text{ dB(A)}$ $K = 1,9 \text{ dB(A)}$	$L_{WA} = 94,2 \text{ dB(A)}$ $K = 2,2 \text{ dB(A)}$	$L_{WA} = 94,2 \text{ dB(A)}$ $K = 2,2 \text{ dB(A)}$
	$a_{hv} < 2,5 \text{ m/s}^2$ $K = 1,5 \text{ m/s}^2$	$a_{hv} < 2,5 \text{ m/s}^2$ $K = 1,5 \text{ m/s}^2$	$a_{hv} < 2,5 \text{ m/s}^2$ $K = 1,5 \text{ m/s}^2$	$a_{hv} < 2,5 \text{ m/s}^2$ $K = 1,5 \text{ m/s}^2$	$a_{hv} < 2,5 \text{ m/s}^2$ $K = 1,5 \text{ m/s}^2$	$a_{hv} < 2,5 \text{ m/s}^2$ $K = 1,5 \text{ m/s}^2$

	solo by AL-KO 4232 Li P	solo by AL-KO 4232 Li SP	solo by AL-KO 4732 Li SP	solo by AL-KO 4772 Li VS-W	solo by AL-KO 5272 Li VS-W
	42 cm	42 cm	46 cm	46 cm	51 cm
	127597	127661	127598	127599	127600
	- (individual delivery)				
					
	24 kg	27,7 kg	30,2 kg	31,7 kg	34,2 kg
	65 l	65 l	70 l	70 l	70 l



	solo by AL-KO 4232 Li P	solo by AL-KO 4232 Li SP	solo by AL-KO 4732 Li SP	solo by AL-KO 4772 Li VS-W	solo by AL-KO 5272 Li VS-W
	2,5 cm – 7,5 cm	2,5 cm – 7,5 cm	3,0 cm – 8,0 cm	3,0 cm – 8,0 cm	3,0 cm – 8,0 cm
	7 stages (central)				
	-	x (fix)	x (fix)	x (variable)	x (variable)
	900 W	900 W	900 W	900 W	1200 W
	max. 2900 min ⁻¹	max. 2900 min ⁻¹	max. 2900 min ⁻¹	max. 2900 min ⁻¹	max. 2900 min ⁻¹
	-	-	x	x	x
	-	-	-	x	x
	-	-	-	x	x
	-	-	-	20 dBm 2400 MHz - 2483,5 MHz	
	-	-	-	x	x
	-	-	x	x	x
	L _{pA} = 69,0 dB(A) K = 1,8 dB(A)	L _{pA} = 68,4 dB(A) K = 1,8 dB(A)	L _{pA} = 69,1 dB(A) K = 2,2 dB(A)	L _{pA} = 69,1 dB(A) K = 2,2 dB(A)	L _{pA} = 73,5 dB(A) K = 2,1 dB(A)
	L _{wA} = 89,0 dB(A) K = 1,8 dB(A)	L _{wA} = 88,4 dB(A) K = 1,8 dB(A)	L _{wA} = 89,1 dB(A) K = 2,2 dB(A)	L _{wA} = 89,1 dB(A) K = 2,2 dB(A)	L _{wA} = 93,5 dB(A) K = 2,1 dB(A)
	a _{hv} <2,5 m/s ² K = 1,5 m/s ²	a _{hv} <2,5 m/s ² K = 1,5 m/s ²	a _{hv} <2,5 m/s ² K = 1,5 m/s ²	a _{hv} <2,5 m/s ² K = 1,5 m/s ²	a _{hv} <2,5 m/s ² K = 1,5 m/s ²





Ukraine

ТОВ АЛ-КО КОБЕР

вул. Броварська 156, 07442

с. Велика Димерка, Броварській район,

Київська область, Україна

Телефон/факс: +38 044 392-07-08 / 09

UK

Imported by: AL-KO Gardentech UK Ltd, Murray way, Wincanton, Somerset, BA9 9RS / UK | +44 (0) 1963 828055

shop.uk@al-ko.com | www.alko-garden.uk

AL-KO GERÄTE GmbH | Head Quarter | Ichenhauser Str. 14 | 89359 Kötz | Deutschland

Telefon: (+49)8221/203-0 | E-Mail: gardentech@al-ko.de | www.al-ko.com

AL-KO Service: www.al-ko.com/service-contacts