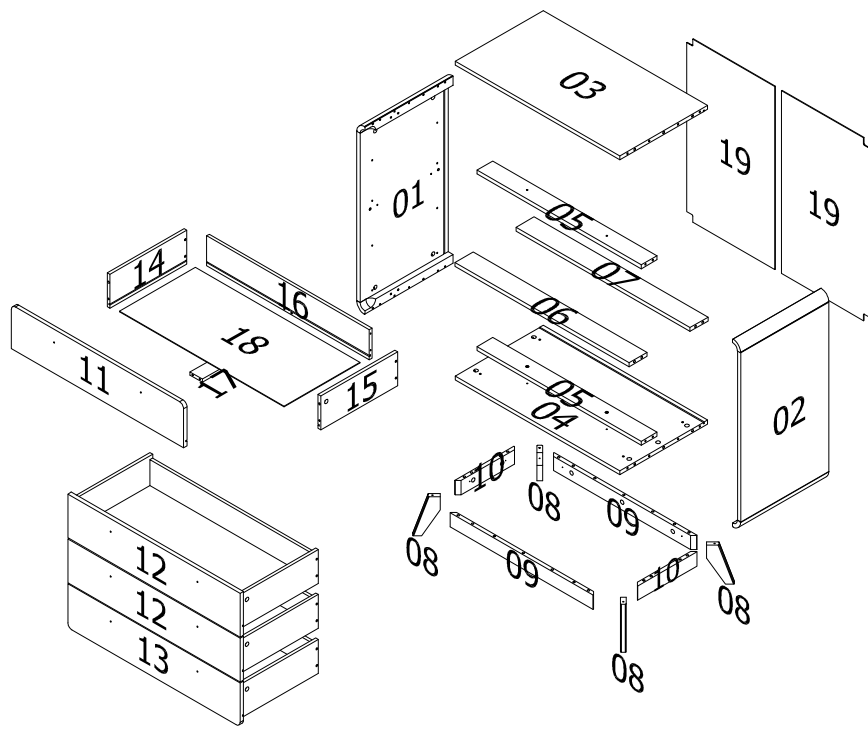
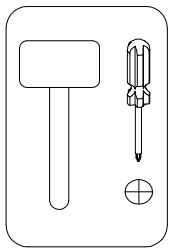


ASSEMBLING GUIDE MODEL 5222-9-02

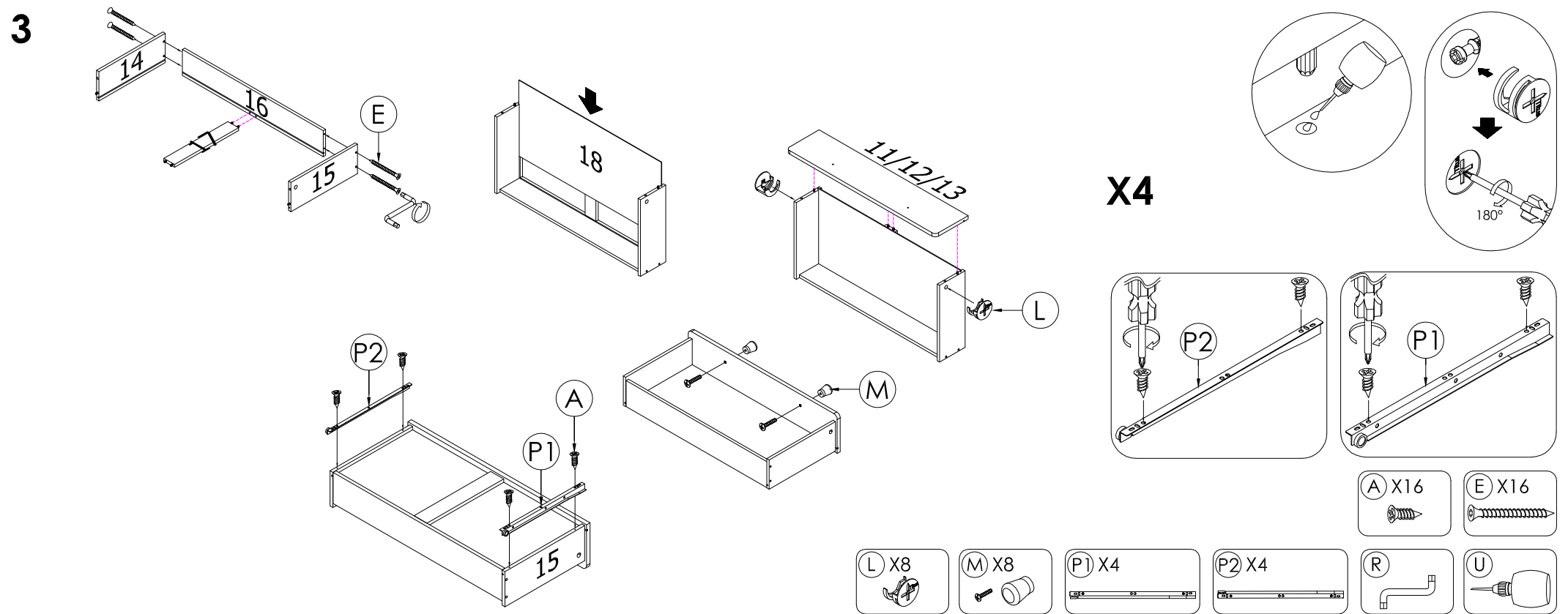
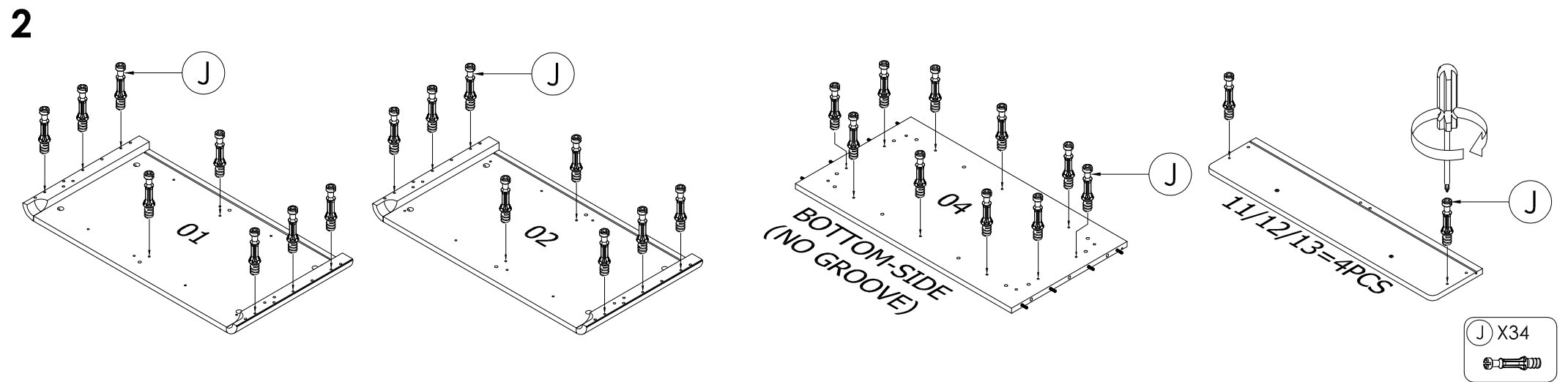
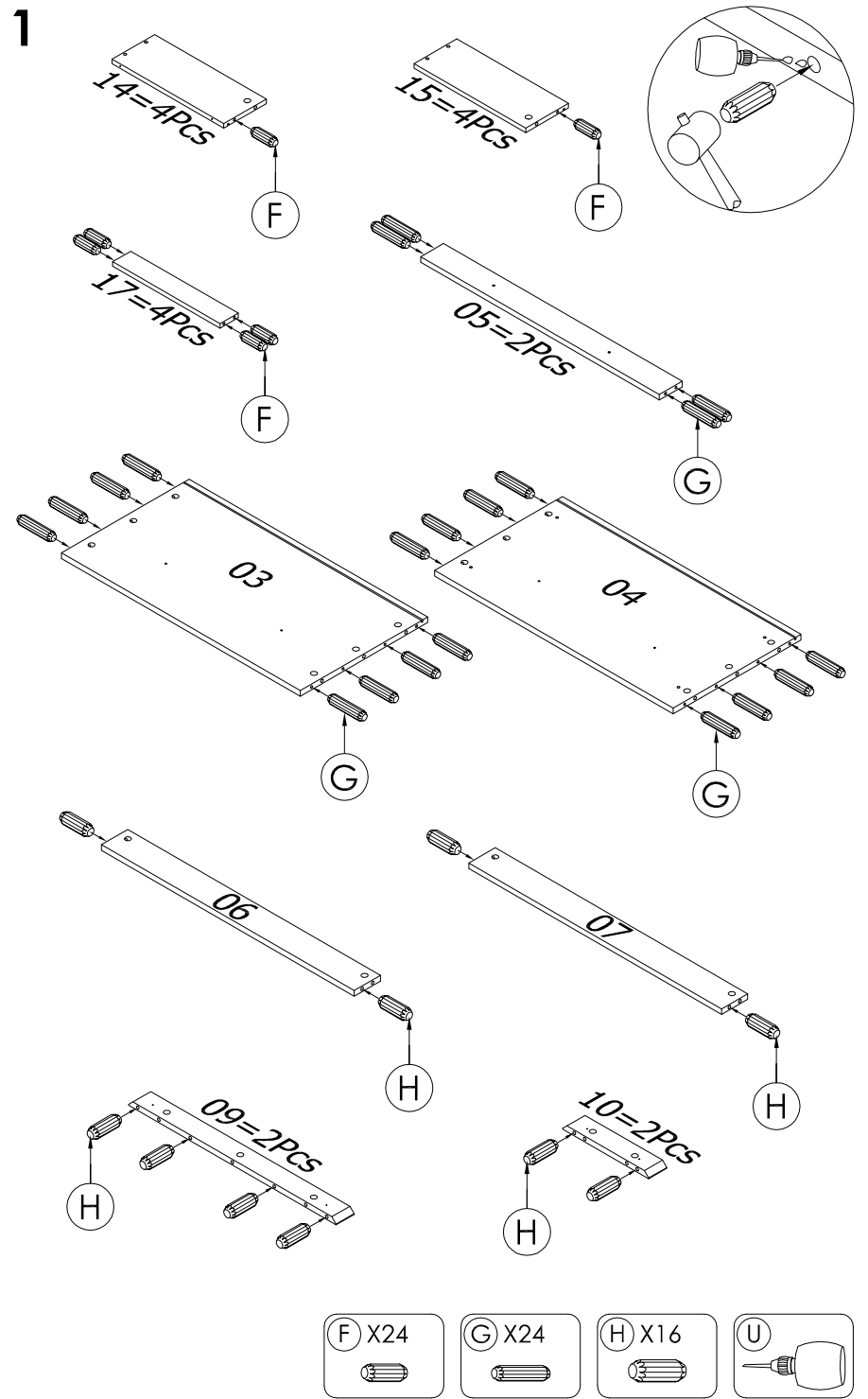
**WARNING! NOT SUITABLE FOR CHILDREN
UNDER 3 YEARS. CONTAINS SMALL PARTS.**

CAUTION
MATERIAL USED - LAMINATED MEDIUM DENSITY FIBERBOARD AND PARTICLEBOARD FRAME * TO CLEAN
USING SOFT, DRY, CLOTH * DO NOT USE DETERGENT OR CHEMICALS * AVOID CONTACT WITH WATER AND
DIRECT SUNLIGHT * TO BE ASSEMBLED ON A SOFT, DRY, CLEAN AND SMOOTH SURFACE * DO NOT USE
POWER DRILLS TO ASSEMBLE AS THIS MAY CAUSE DAMAGE TO THE PRODUCT IF OVER-TIGHTENED



A		CSK SCREW M3.5 X 12MM	16
B		CSK SCREW M3.5 X 15MM	21
C		CSK SCREW M4 X 25MM	8
D		EURO SCREW M6 X 9MM	16
E		JCBC(W) SCREW M6 X 40MM	20
F		WOOD DOWEL (Ø6 X 20MM)	24
G		WOOD DOWEL (Ø6 X 35MM)	24
H		WOOD DOWEL (Ø8 X 25MM)	16
J		BOLT-9607 PARALEL NECK DOWEL 24 X 8.5	34
K		CAM-9499 CAM 3000 15 X 12	26
L		CAM-9642 CAM 3000 12/13MM	8

M		9933 WOODEN HDL KNOB (D20, H22) NATURAL= (1PC) WITH SCREW (MC4 X 25MM)= (1PC)	8 SETS
N1		DRAWER SLIDE CR (350MM)	4
N2		DRAWER SLIDE CL (350MM)	4
P1		DRAWER SLIDE DR (350MM)	4
P2		DRAWER SLIDE DL (350MM)	4
Q		TABLE CORNER BRACKET (5HOLES) (1.5 X 30 X 30 X 50 X 45MM)	4
R		ALLEN KEY M4	1
S		BACKPLY STOPPER	12
T		WEBBING TAPE (1.2 X 12 X 145 MM)	1
U		GLUE	6



ASSEMBLING GUIDE MODEL 5222-9-02

**WARNING! NOT SUITABLE FOR CHILDREN
UNDER 3 YEARS. CONTAINS SMALL PARTS.**

CAUTION
MATERIAL USED - LAMINATED MEDIUM DENSITY FIBERBOARD AND PARTICLEBOARD FRAME * TO CLEAN
USING SOFT, DRY, CLOTH * DO NOT USE DETERGENT OR CHEMICALS * AVOID CONTACT WITH WATER AND
DIRECT SUNLIGHT * TO BE ASSEMBLED ON A SOFT, DRY, CLEAN AND SMOOTH SURFACE * DO NOT USE
POWER DRILLS TO ASSEMBLE AS THIS MAY CAUSE DAMAGE TO THE PRODUCT IF OVER-TIGHTENED

