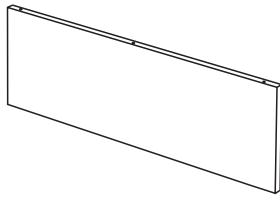
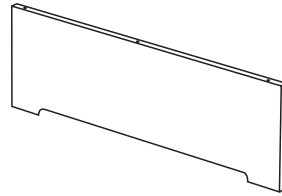


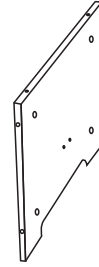
Ax1



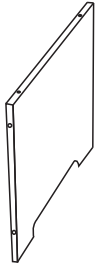
Bx1



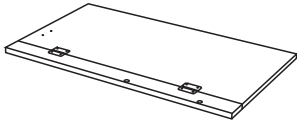
Cx1



Dx1



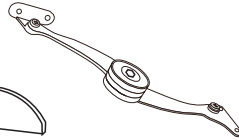
Ex1



Fx1



Gx1



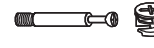
Hx1



Ix4



Jx13



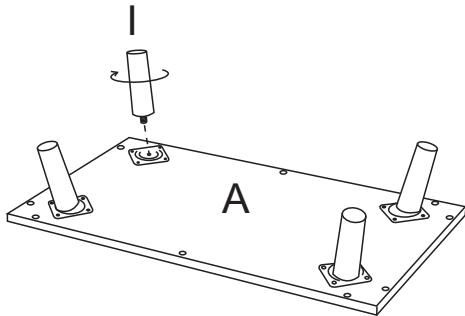
Kx11



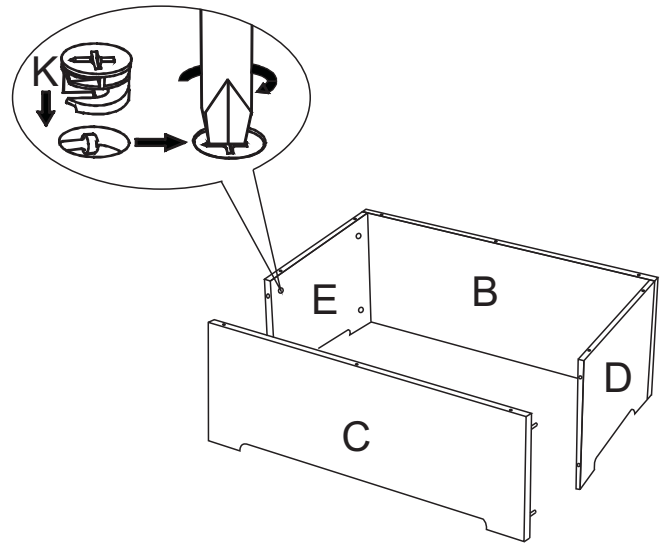
Lx4



Mx1



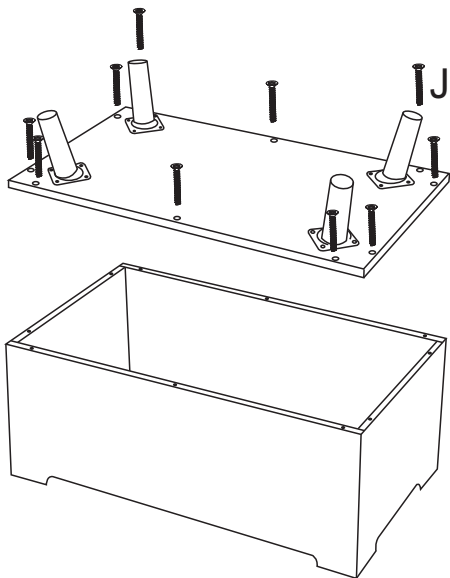
1



2



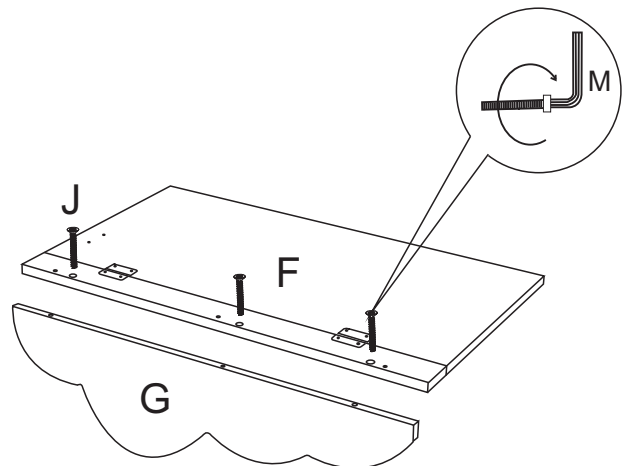
Kx8



3



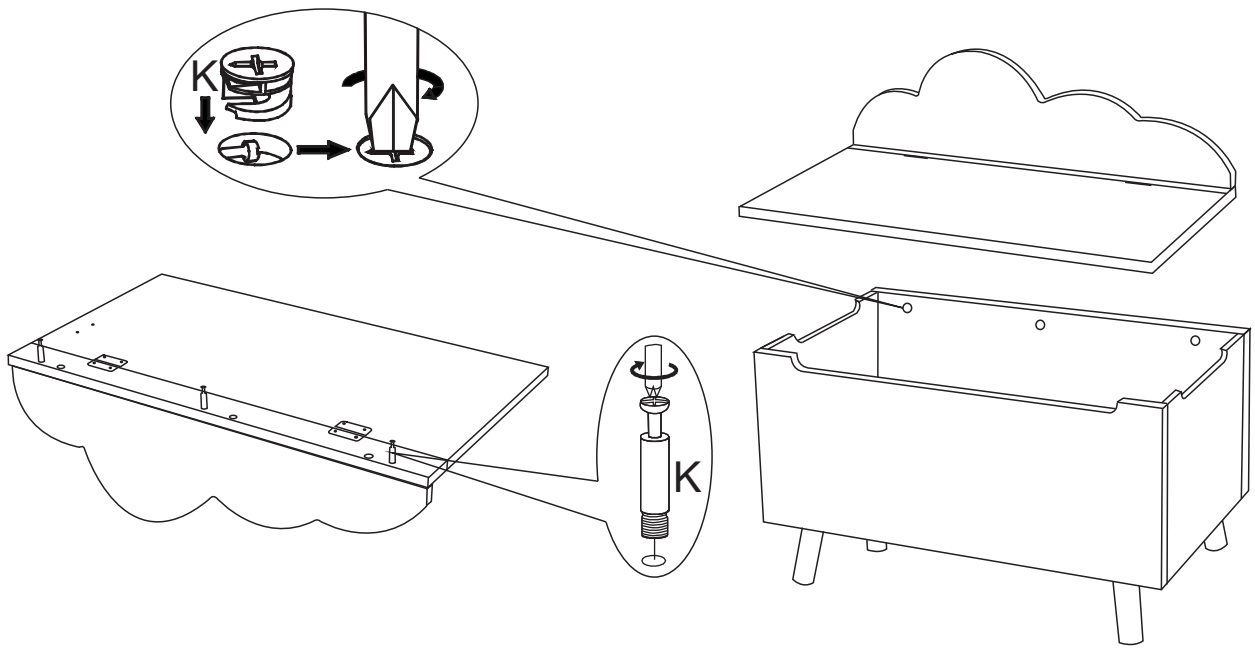
Jx10



4

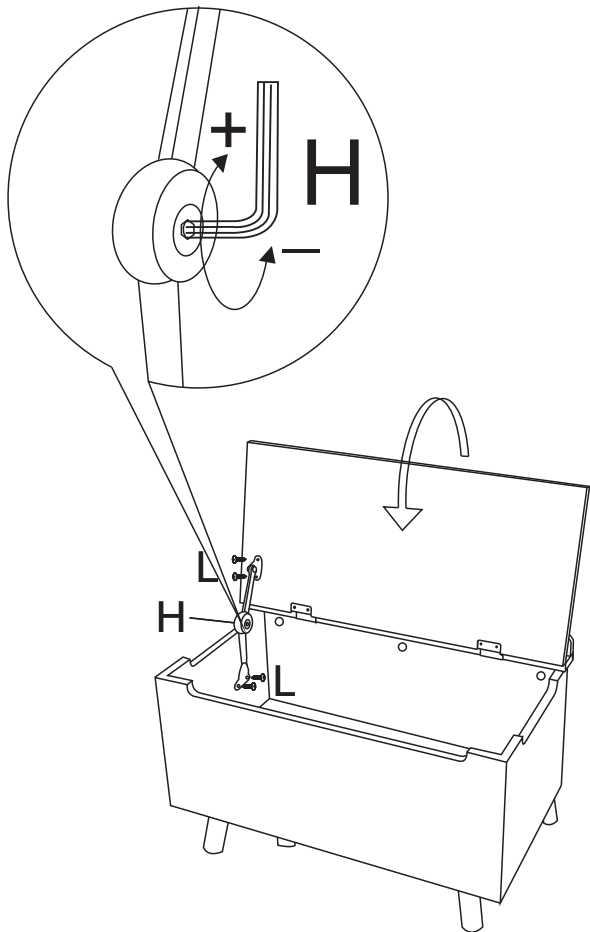


Jx3



5

 
Kx3



6


Lx4

7

