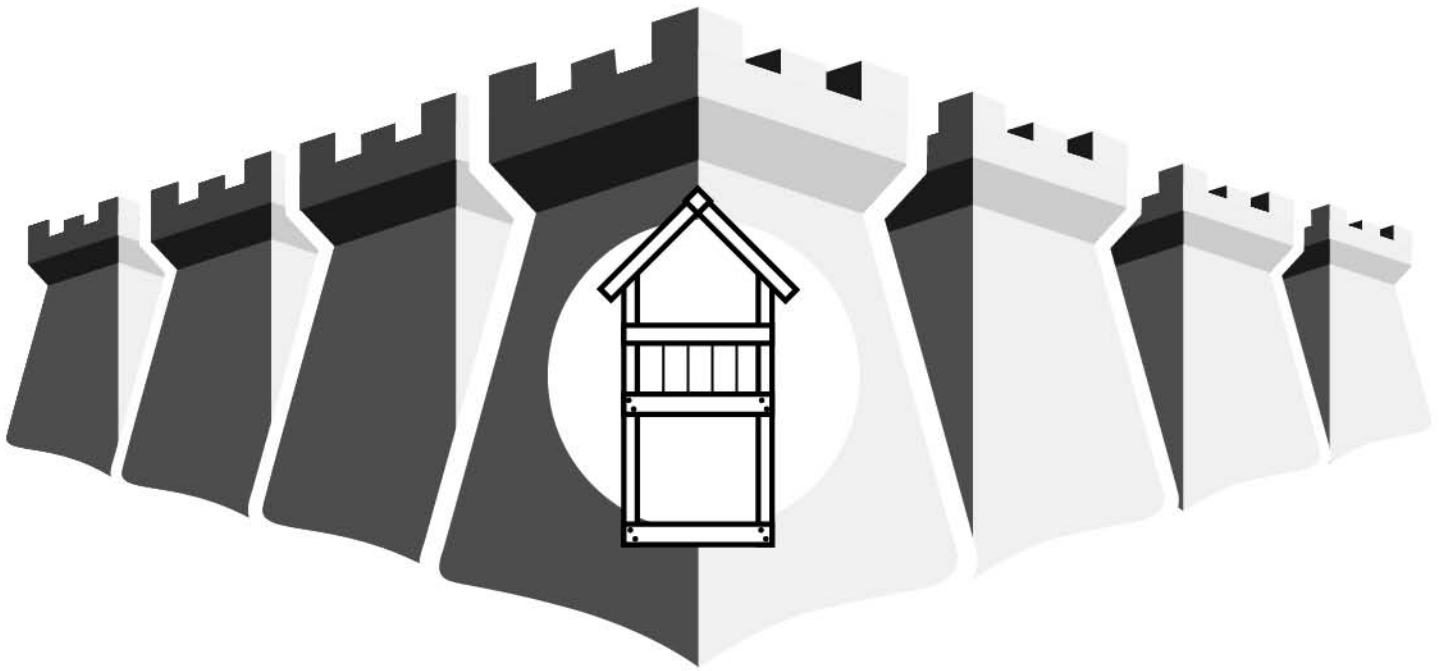


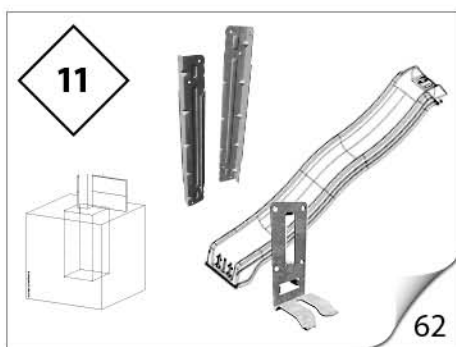
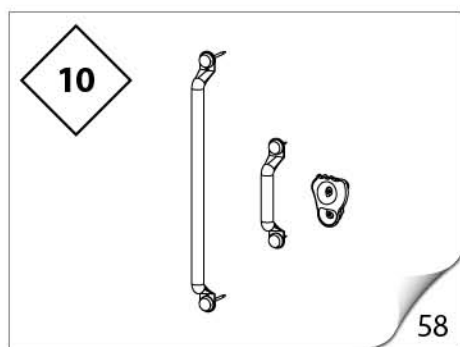
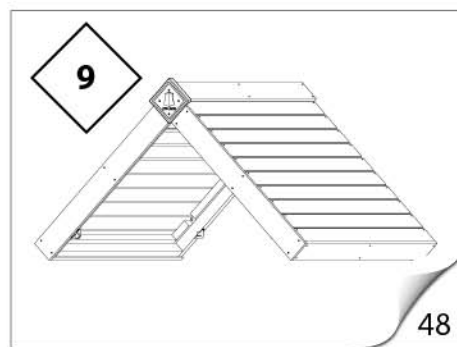
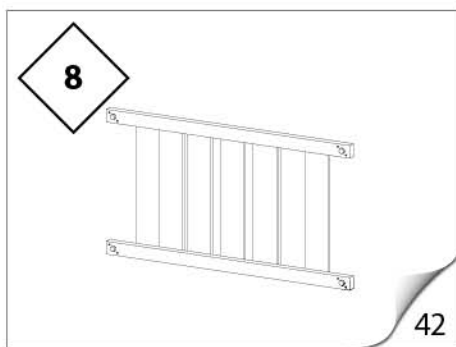
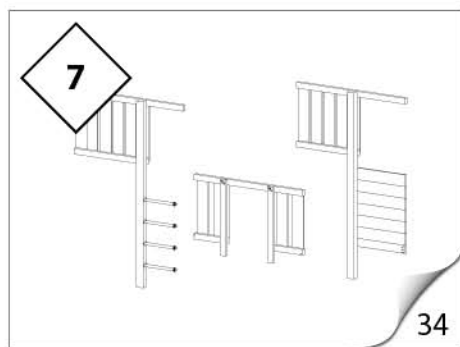
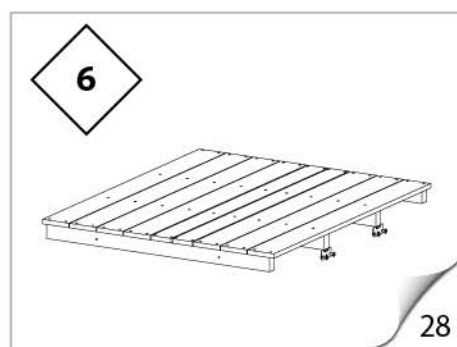
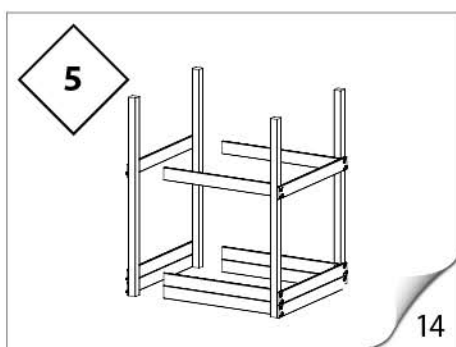
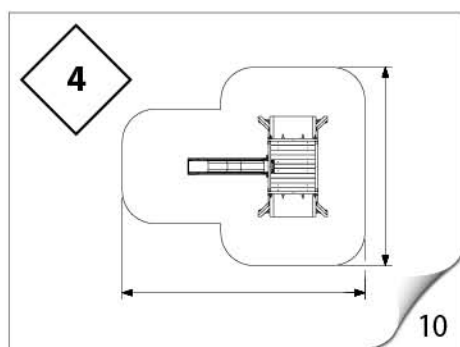
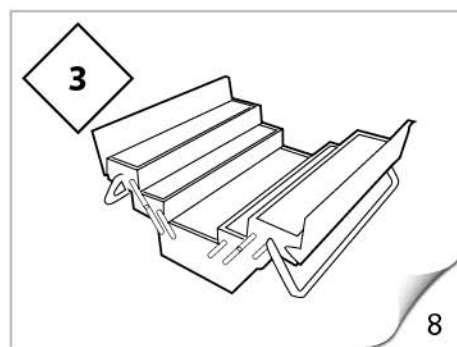
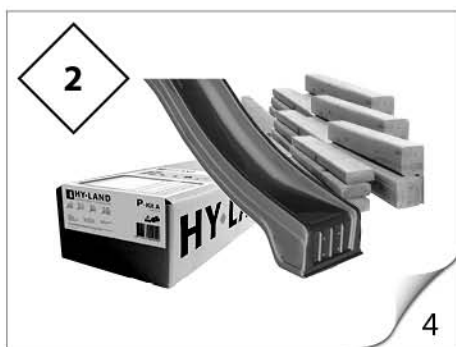
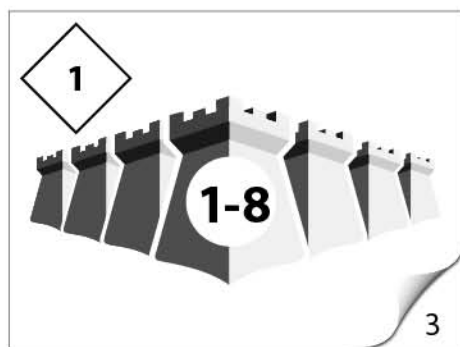
# Assembly

P Series



Owner's Manual

# Assembly steps



1

1



1x



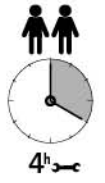
1x



1x



± 0.35 m<sup>3</sup>



4<sup>h</sup>

2



1x



1x



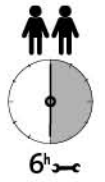
1x



1x



± 0.42 m<sup>3</sup>



6<sup>h</sup>

3



1x



1x



1x



1x

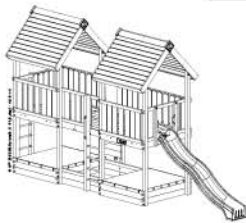


± 0.63 m<sup>3</sup>



7<sup>h</sup>

4



1x



2x



1x



1x



± 0.95 m<sup>3</sup>



13<sup>h</sup>

5



2x



1x



1x



1x



± 0.87 m<sup>3</sup>



11<sup>h</sup>

6



2x



2x



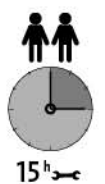
1x



1x

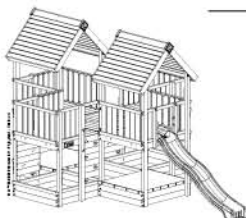


± 1.17 m<sup>3</sup>



15<sup>h</sup>

7



3x



2x



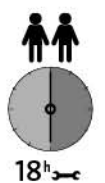
1x



1x



± 1.40 m<sup>3</sup>



18<sup>h</sup>

8



3x



3x



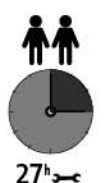
1x



1x

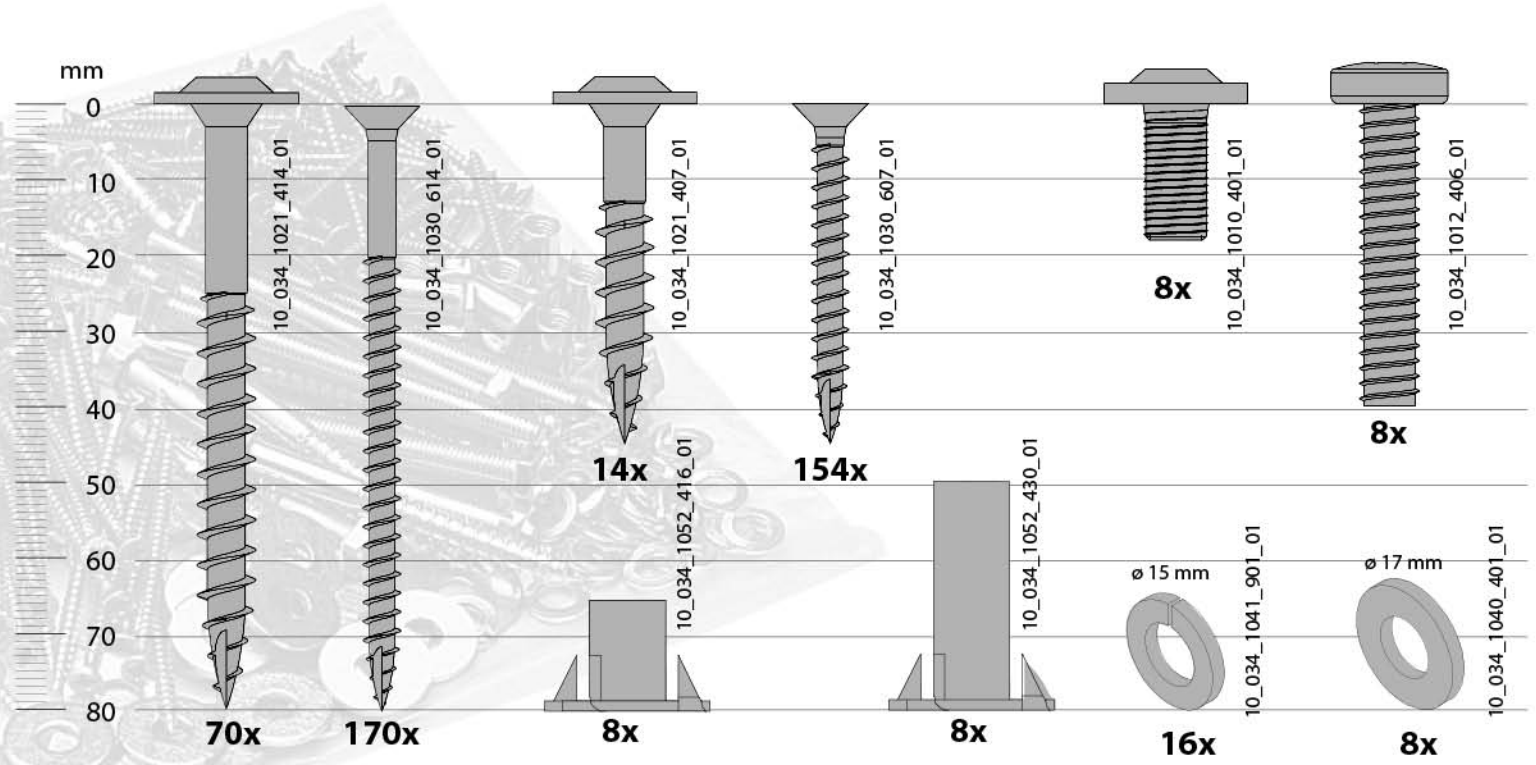
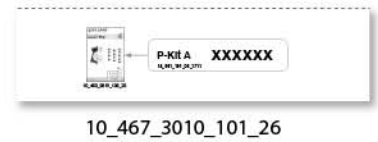
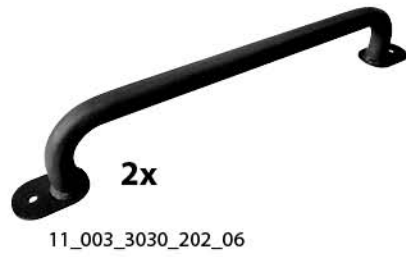


± 1.70 m<sup>3</sup>



27<sup>h</sup>

2.1a





**2.1b**



11\_203\_1030\_105\_25



11\_203\_1031\_122\_25



**2x**

10\_030\_5011\_001\_04



**6x**

10\_030\_5051\_120\_04



**14x**

10\_201\_2075\_205\_04



**4x**

10\_030\_5010\_000\_04



10\_467\_3010\_201\_26



**2x**

10\_201\_2075\_405\_04



**2x**

11\_003\_3030\_202\_06



**4x**

10\_026\_4010\_301\_01



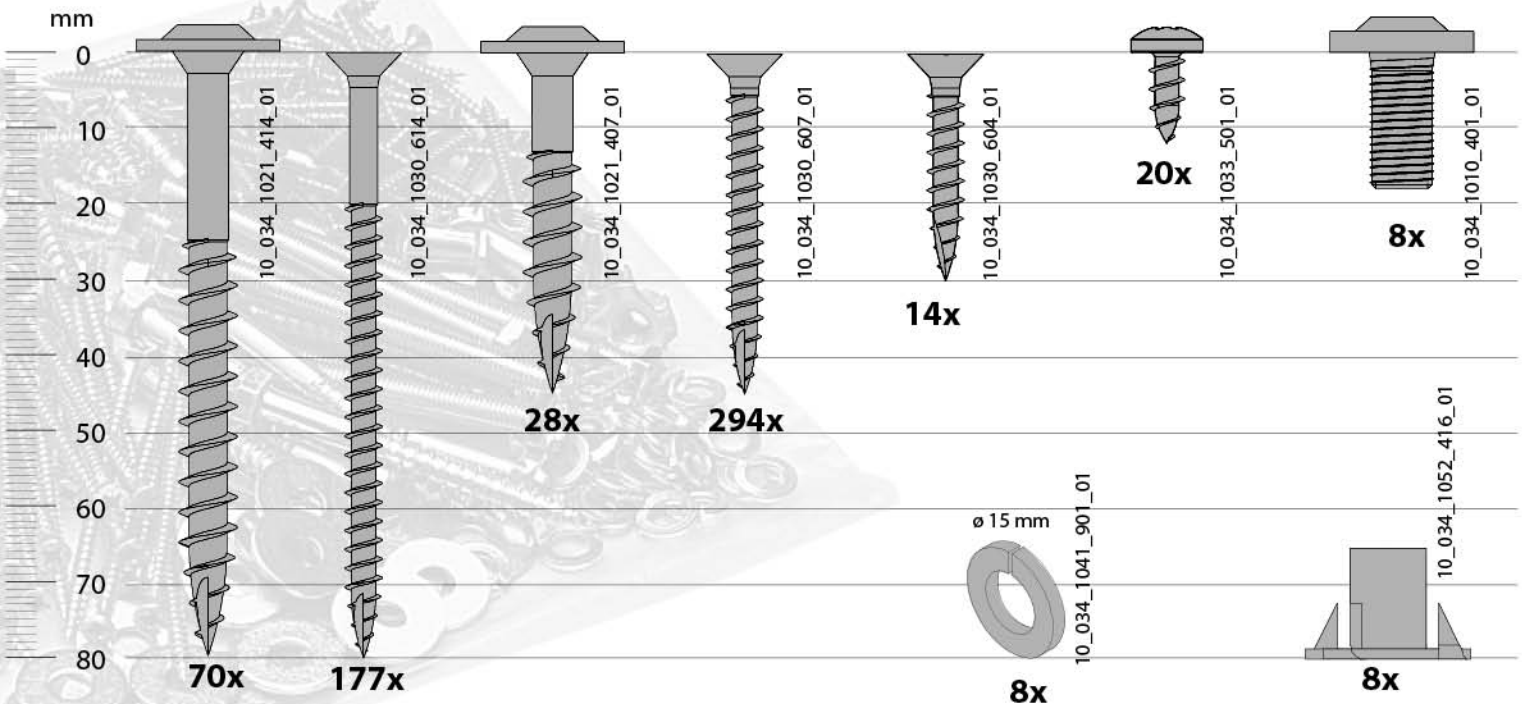
**8x**

10\_205\_2031\_000\_04

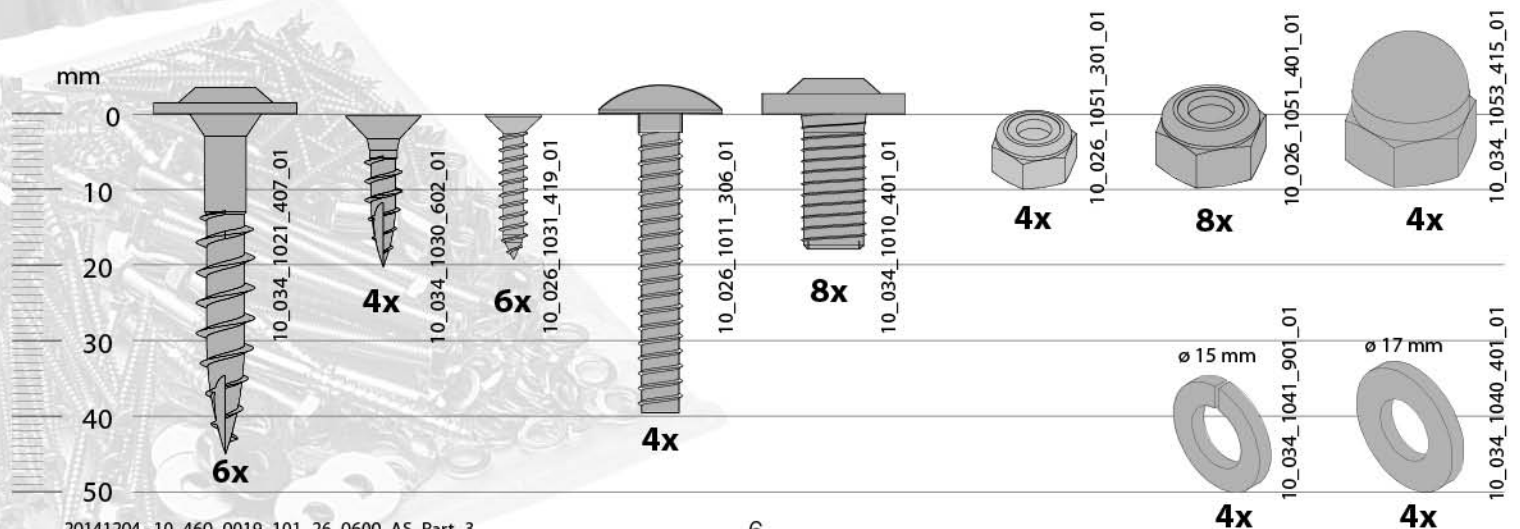
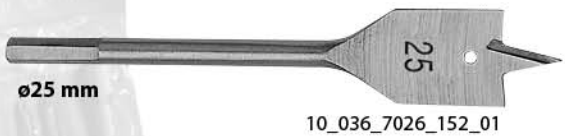
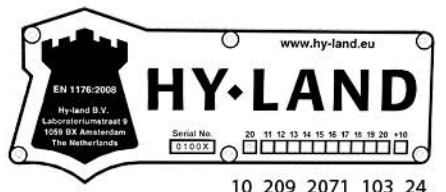
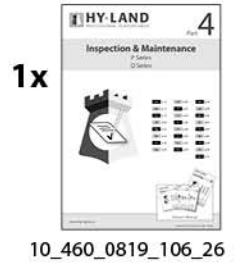
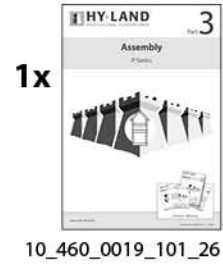
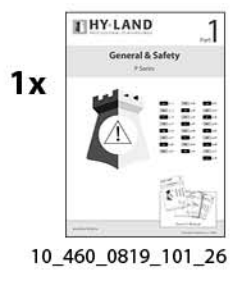


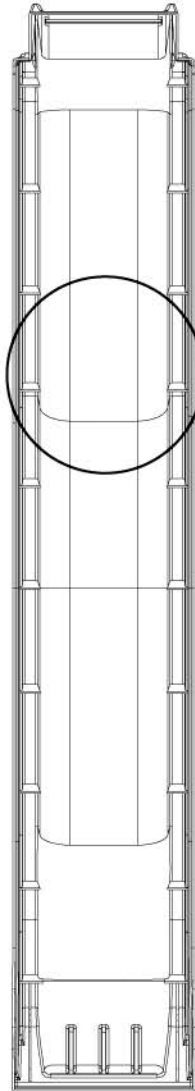
**55x**

10\_205\_2030\_000\_04



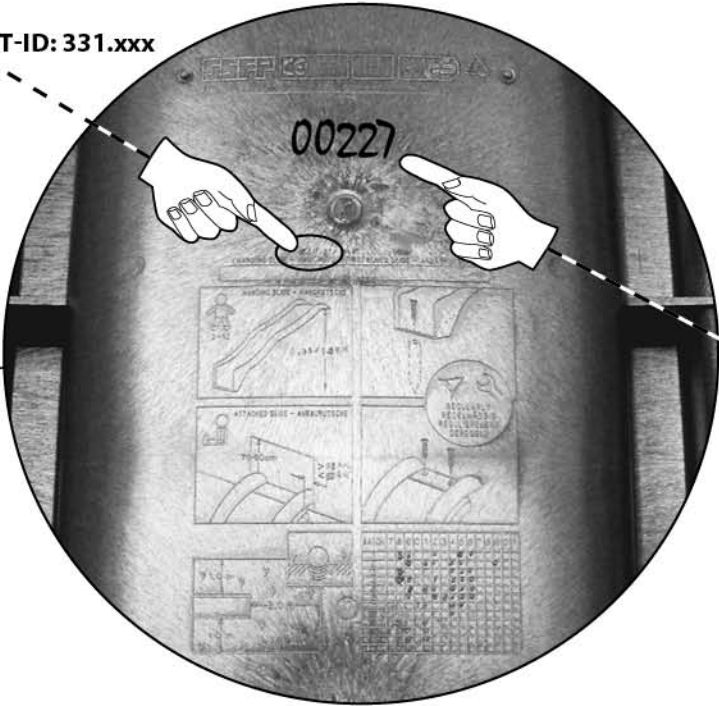
2.1c



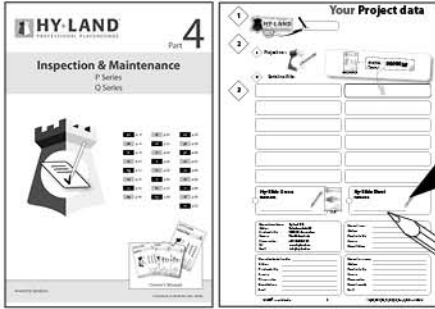


Back

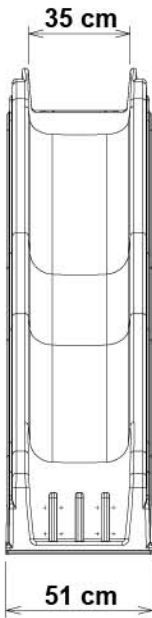
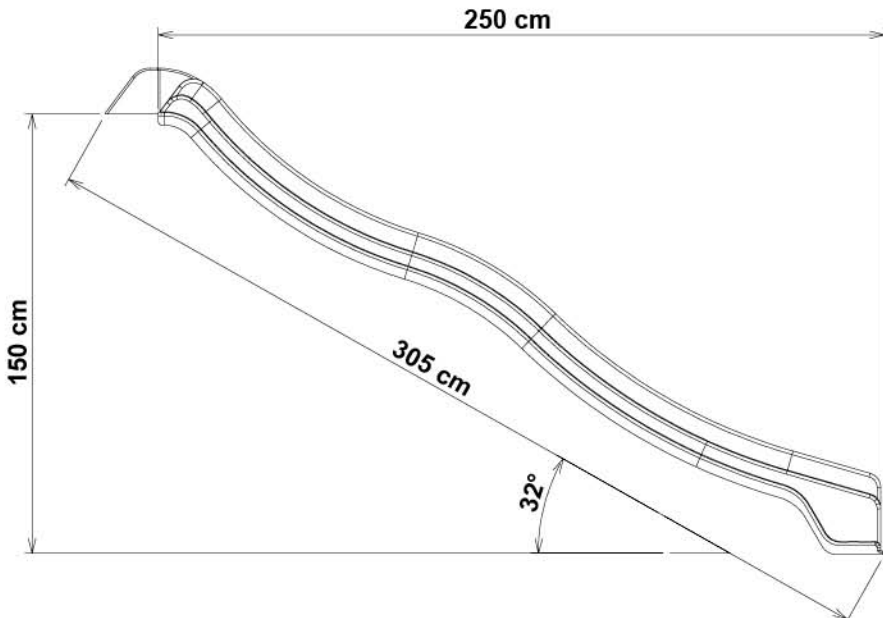
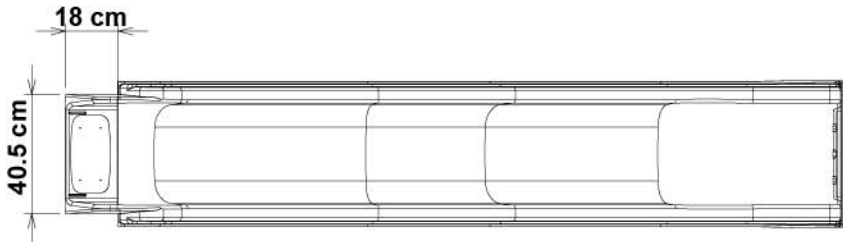
PART-ID: 331.xxx



SERIAL NO.

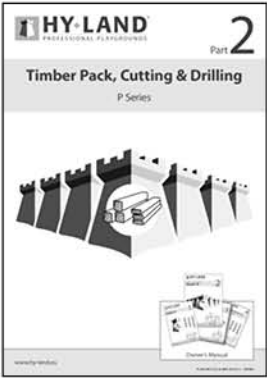
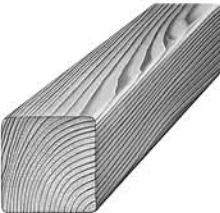


10\_460\_0819\_106\_26



2.3

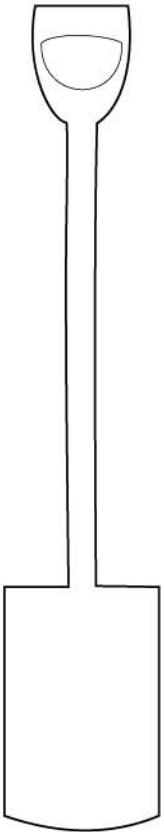
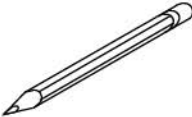
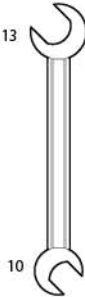
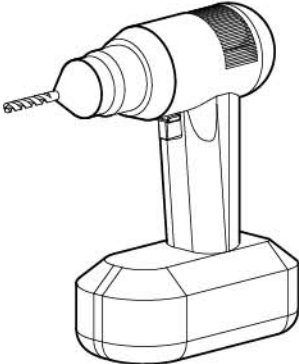
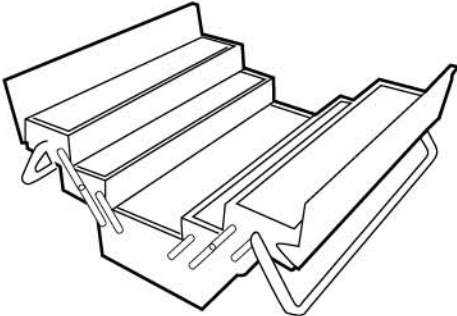
# Timber



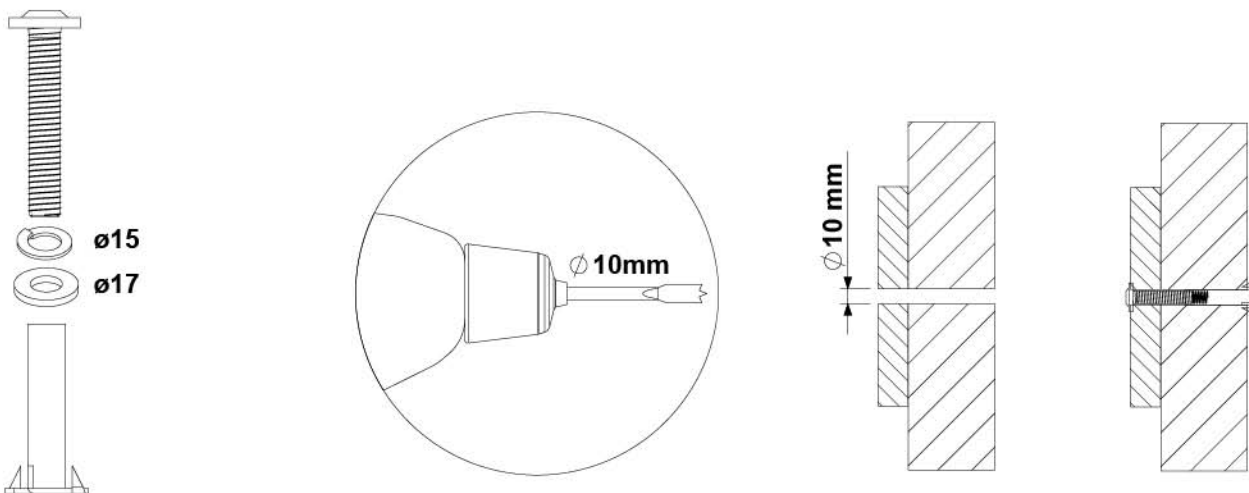
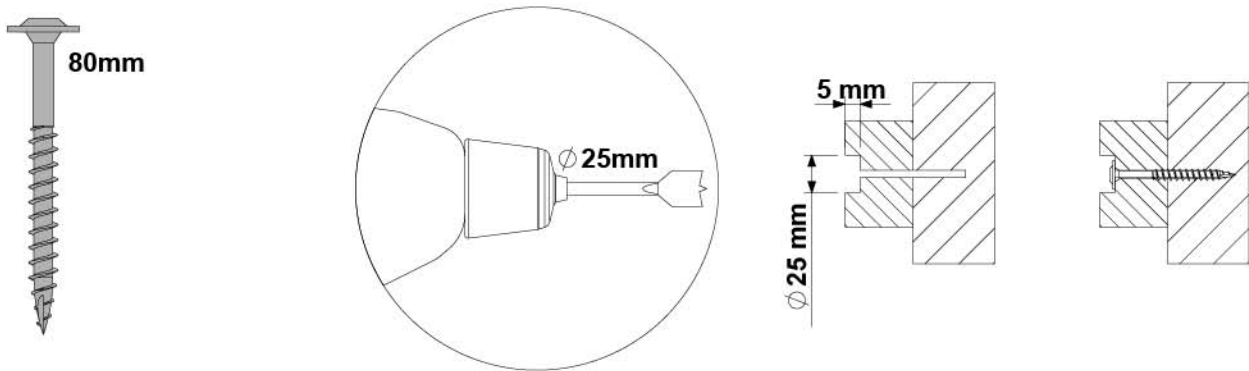
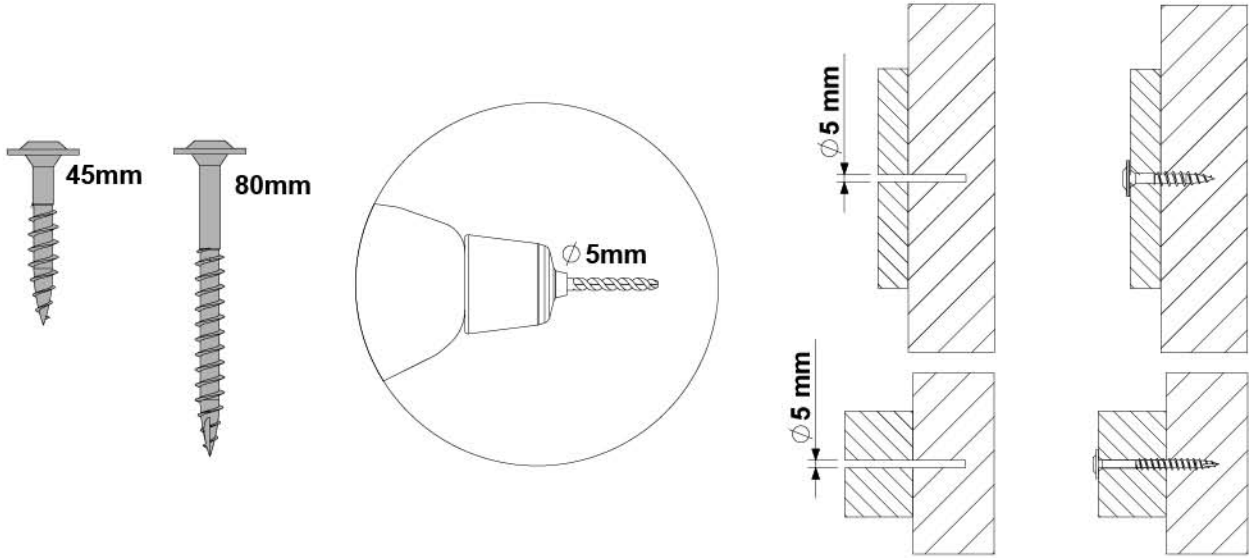
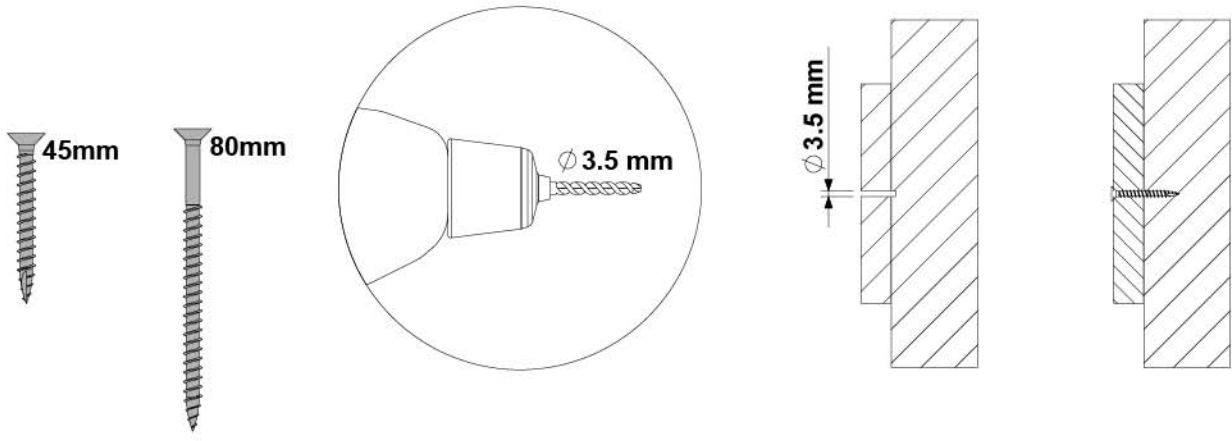
10\_460\_0019\_102\_26

3.1

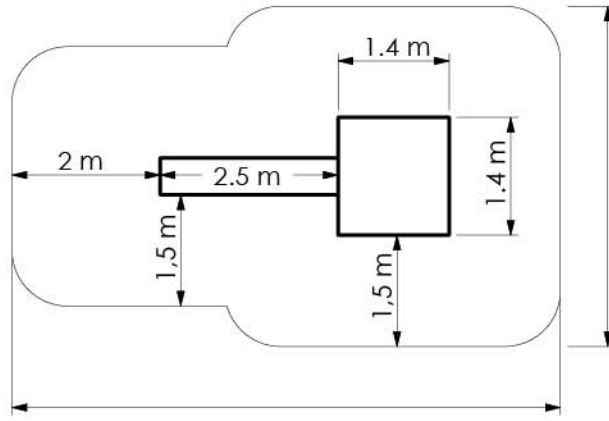
# Tools



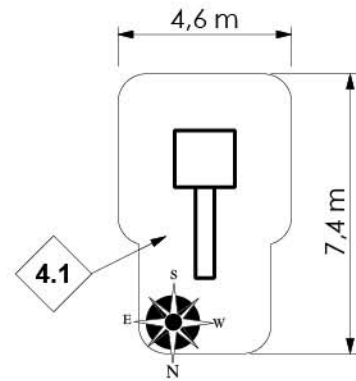
**3.2**



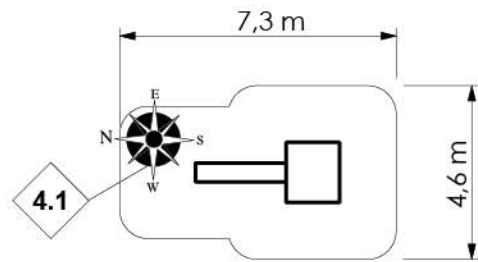
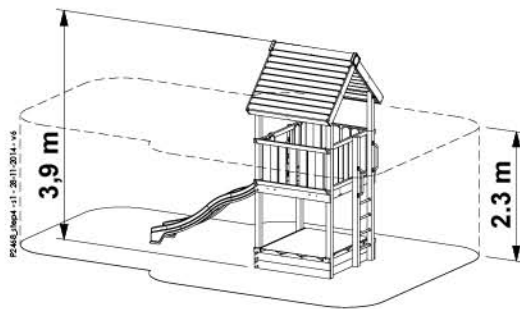
4



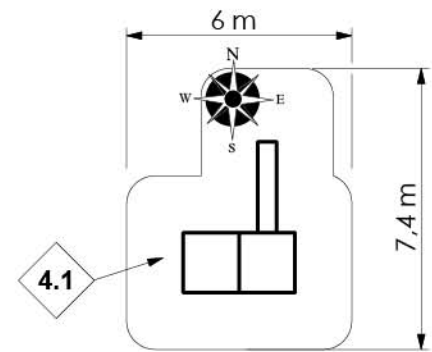
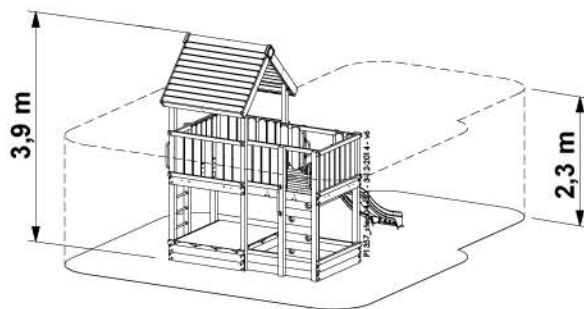
1



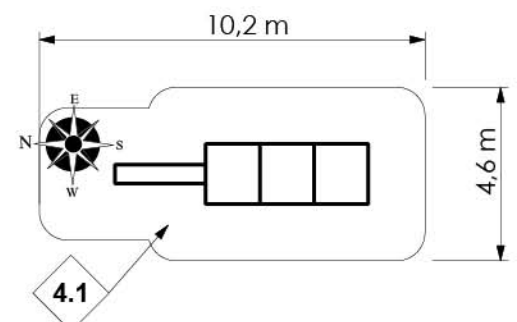
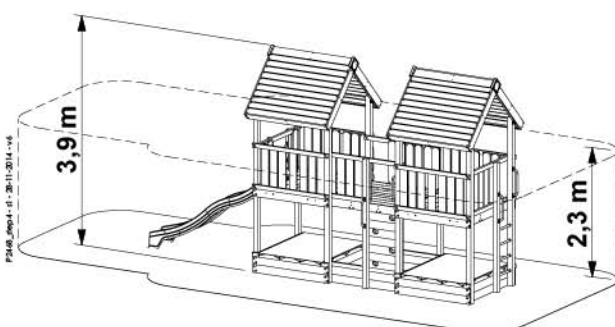
2



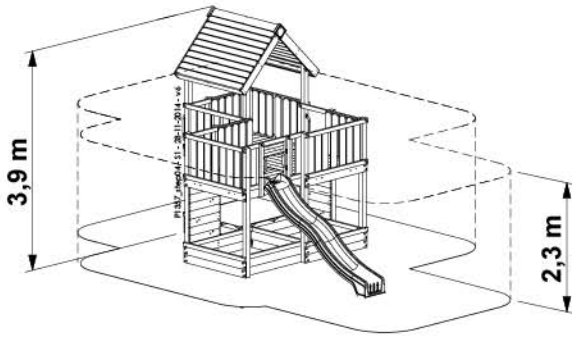
3



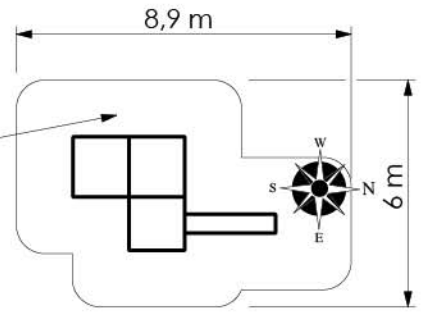
4



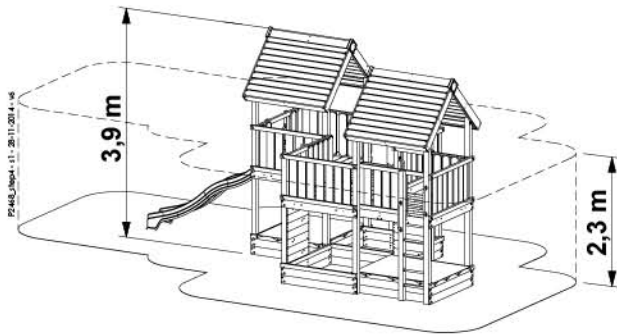
5



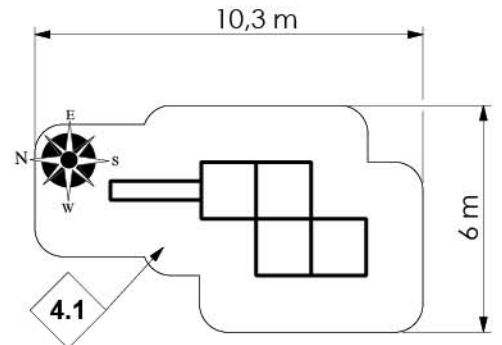
4.1



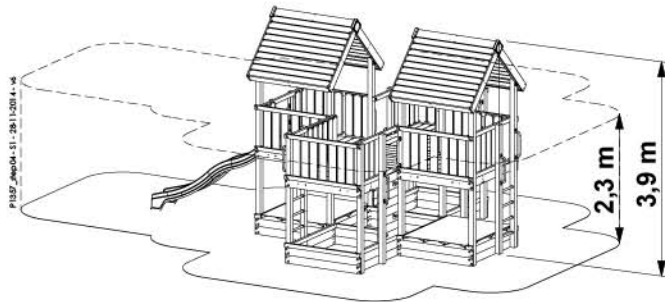
6



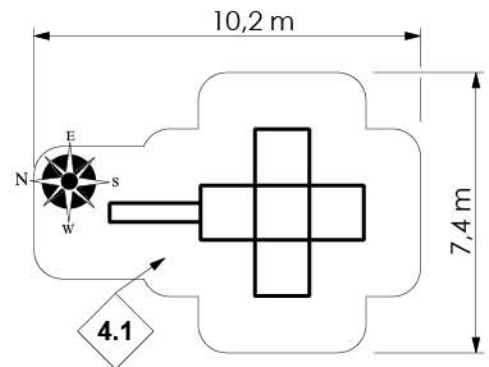
4.1



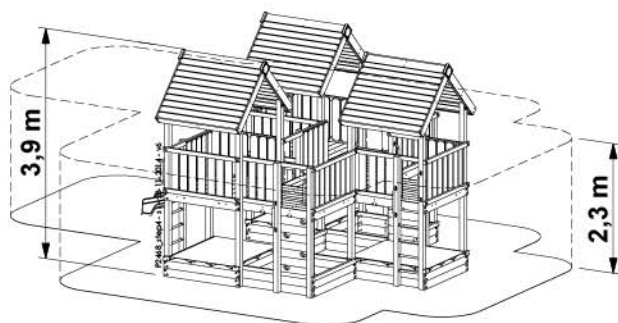
7



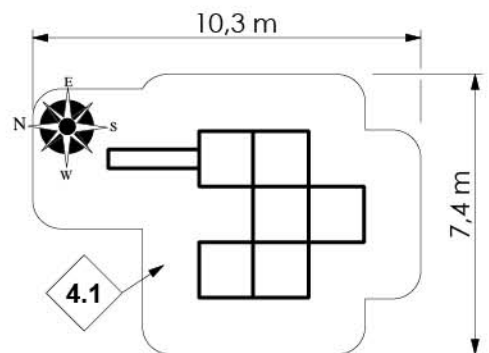
4.1



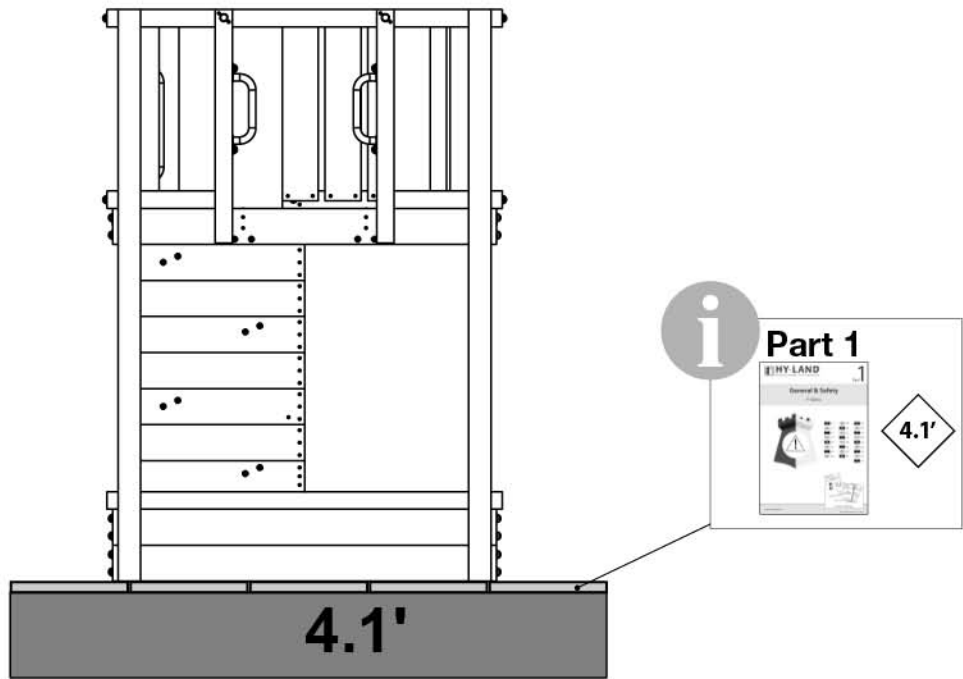
8



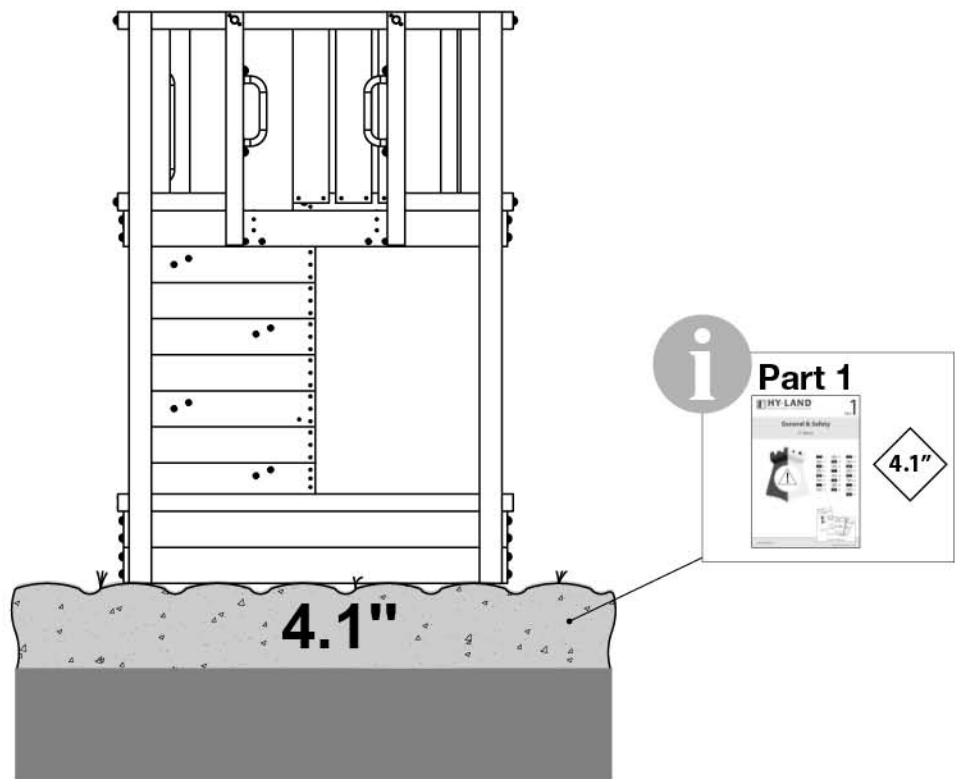
4.1



4.1'

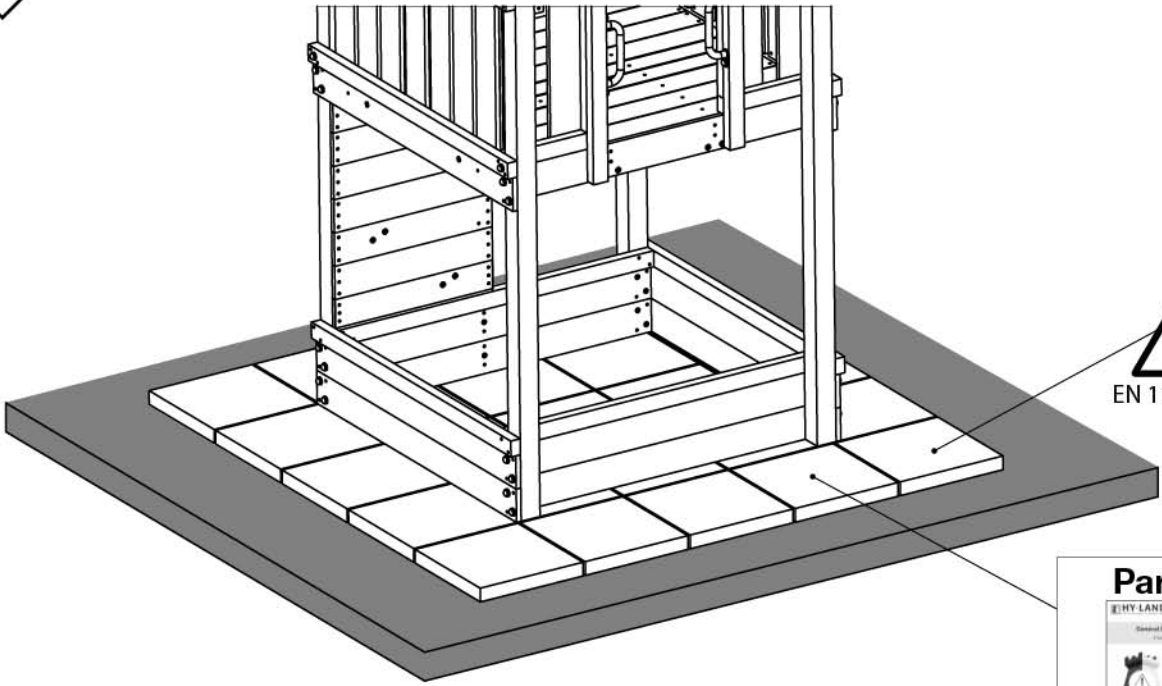


4.1''

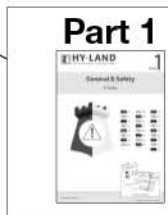




4.1'

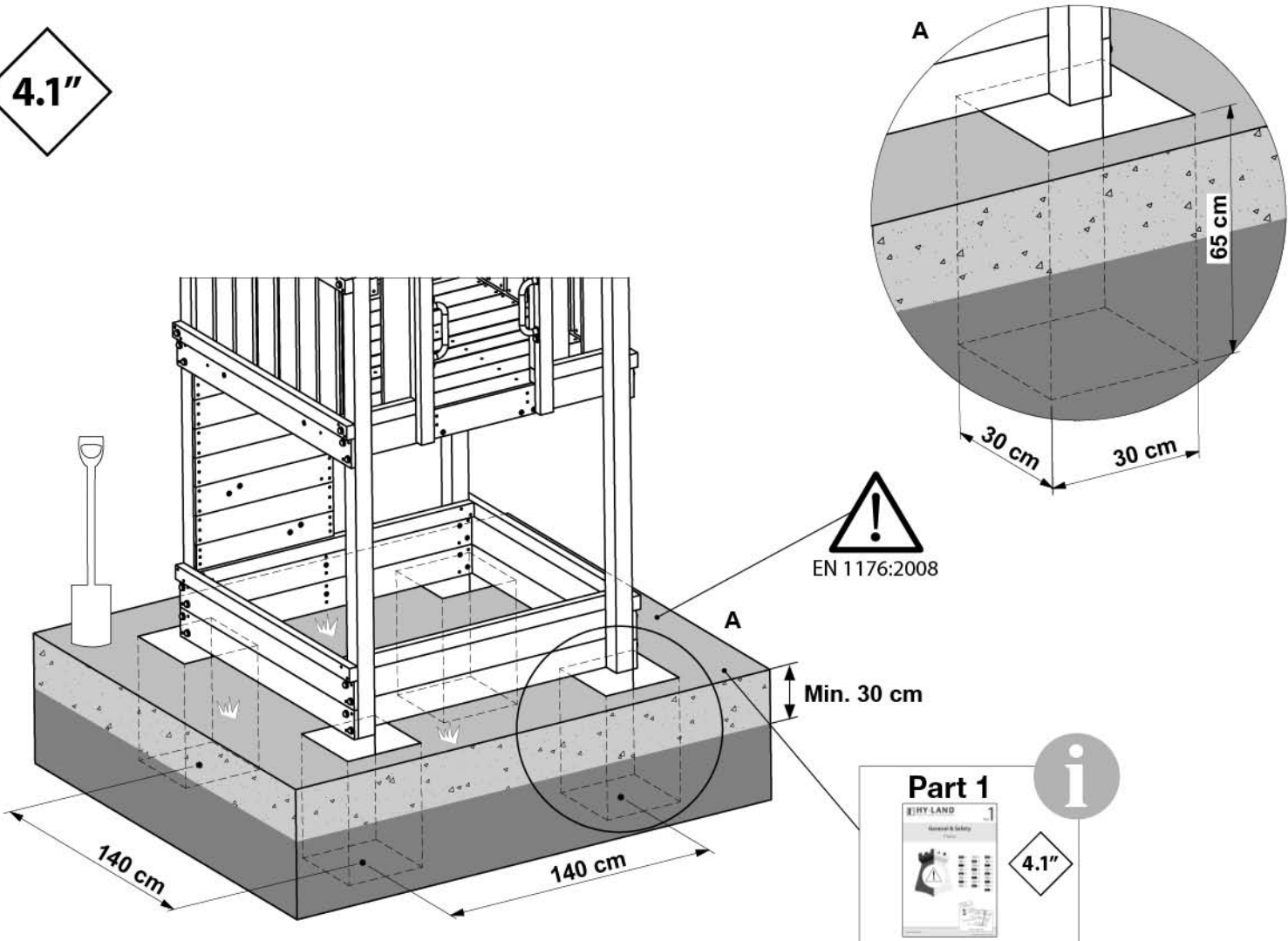


EN 1176:2008



4.1'

4.1''



A

65 cm

30 cm

30 cm



EN 1176:2008

A

Min. 30 cm

140 cm

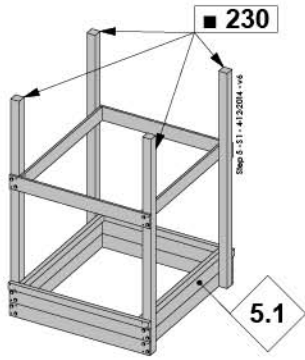
140 cm



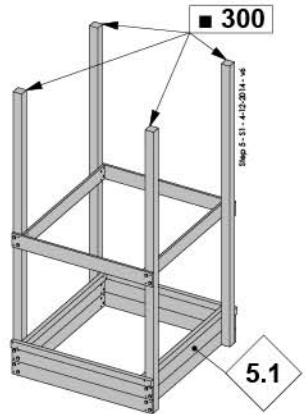
4.1''

5

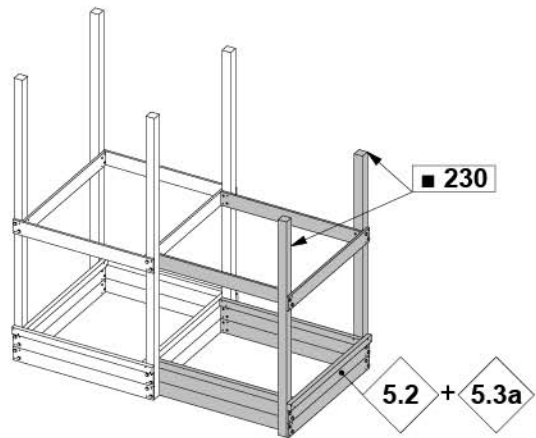
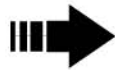
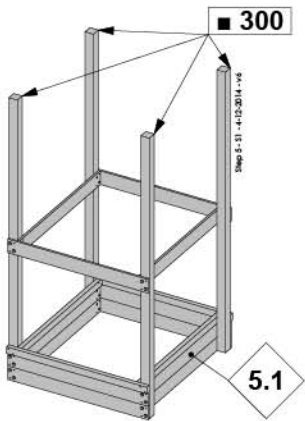
1



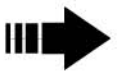
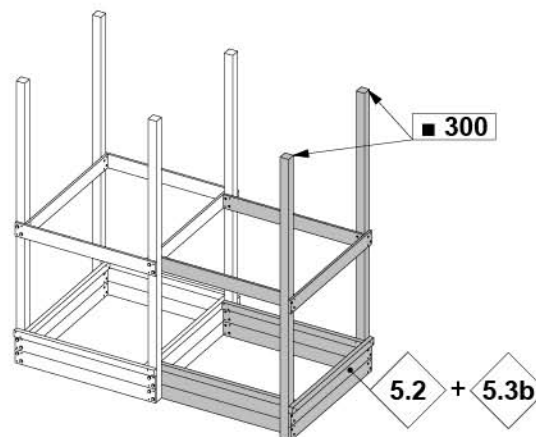
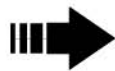
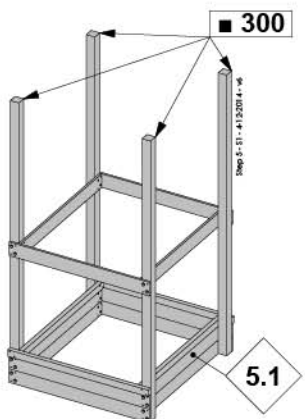
2

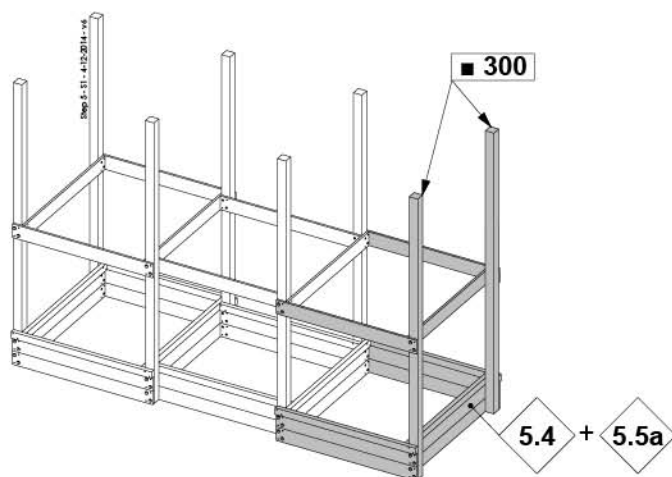


3



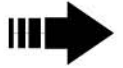
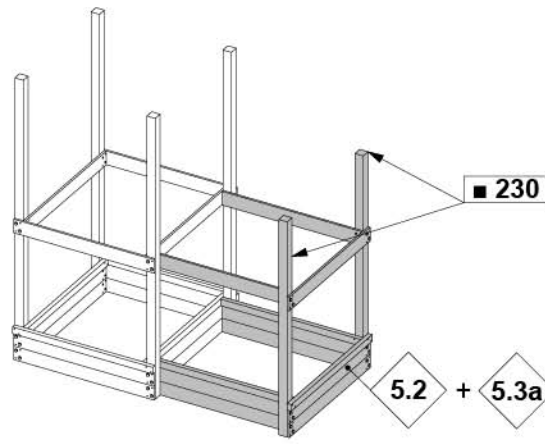
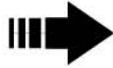
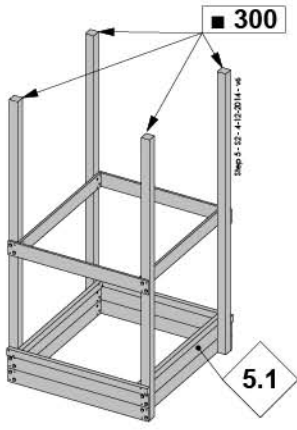
4



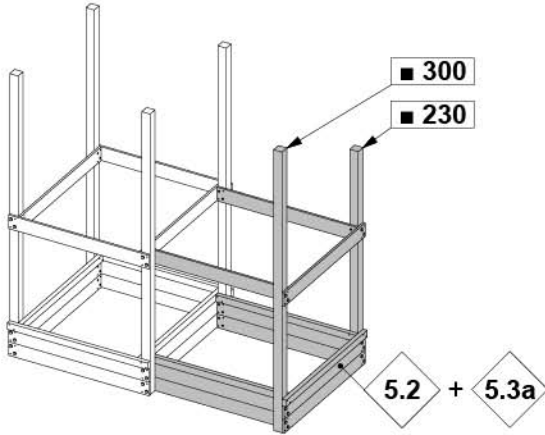
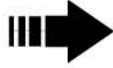
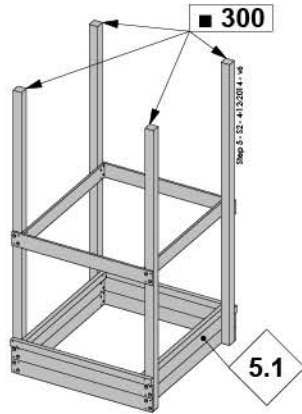


5

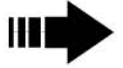
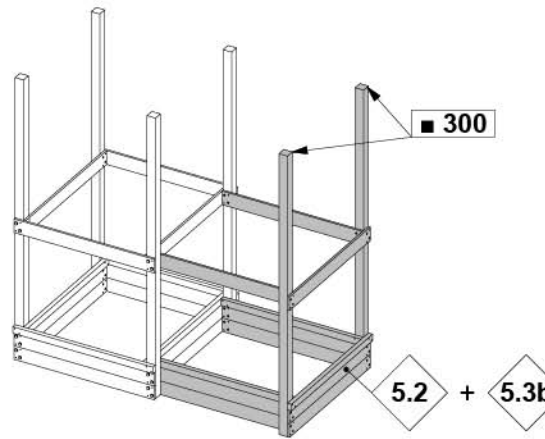
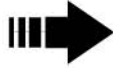
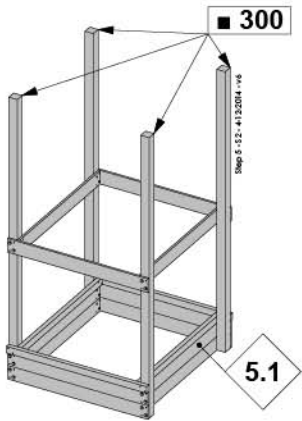
5



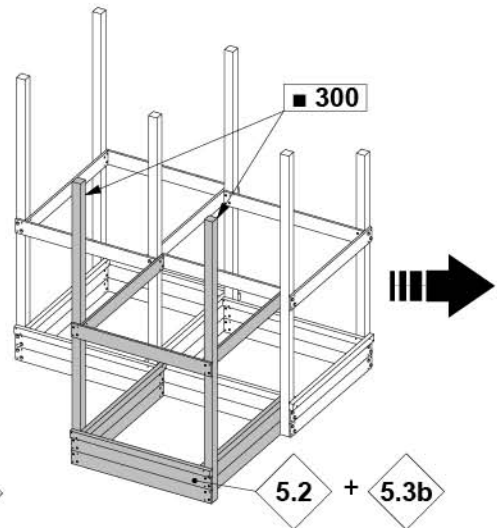
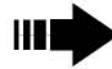
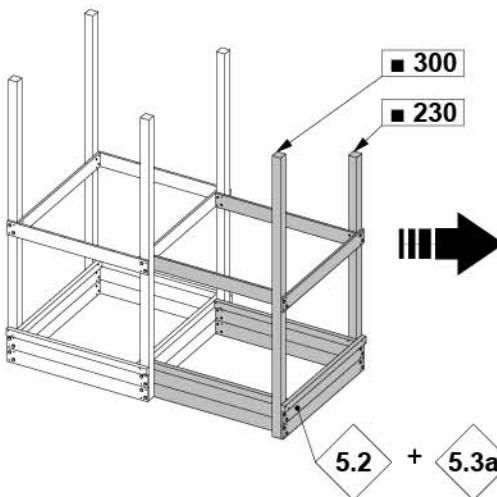
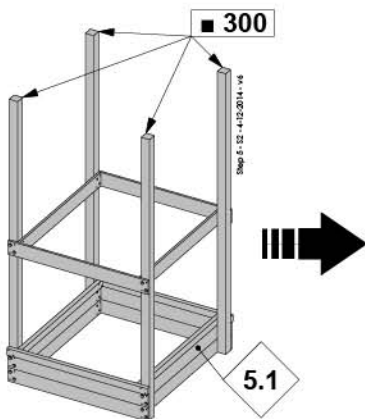
6

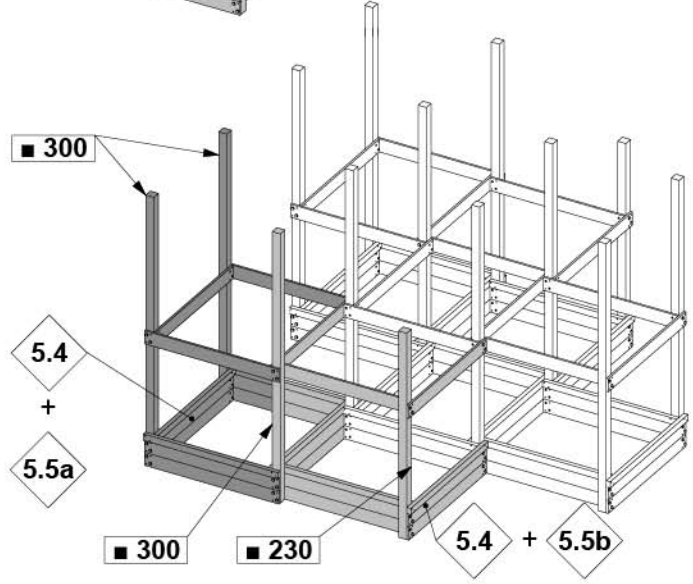
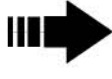
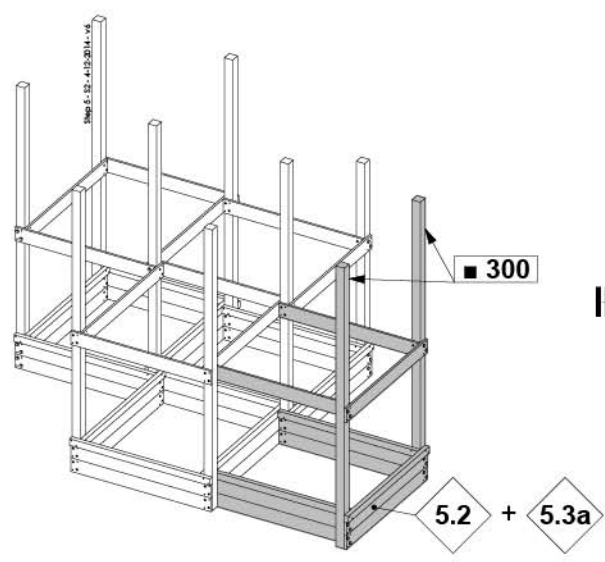
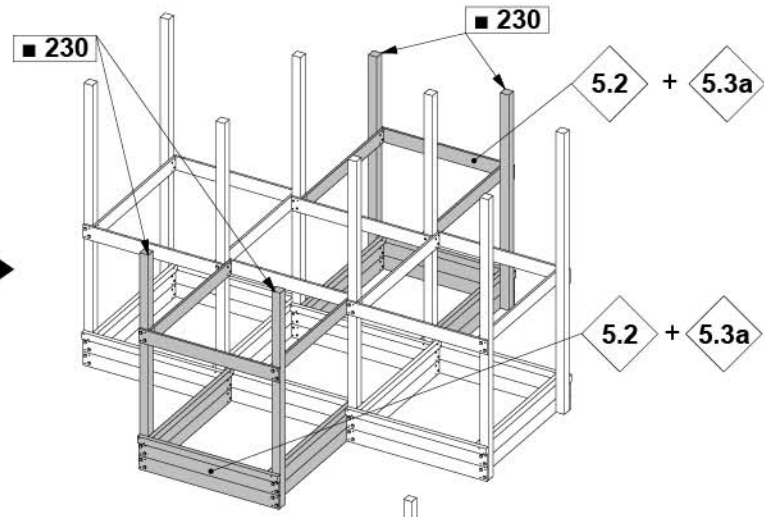
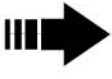
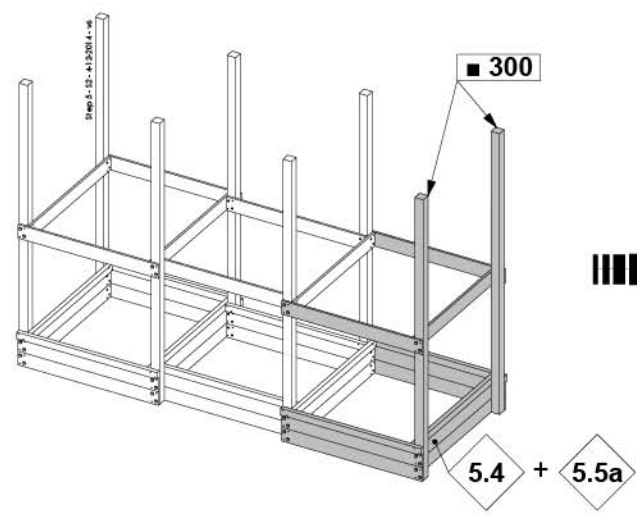
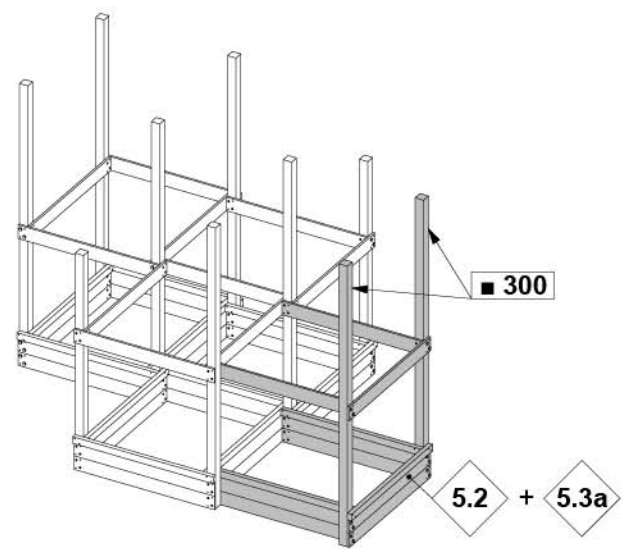
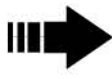
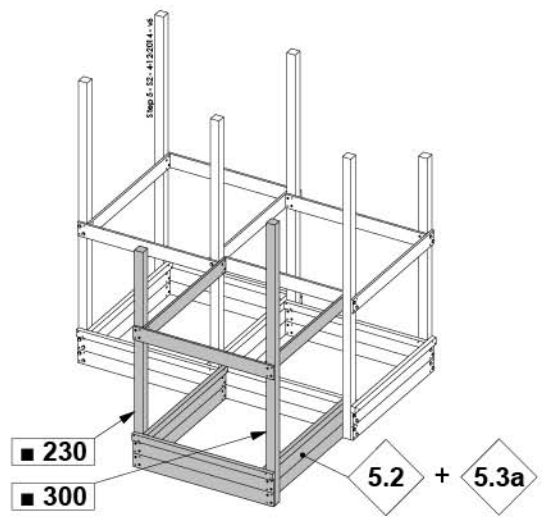
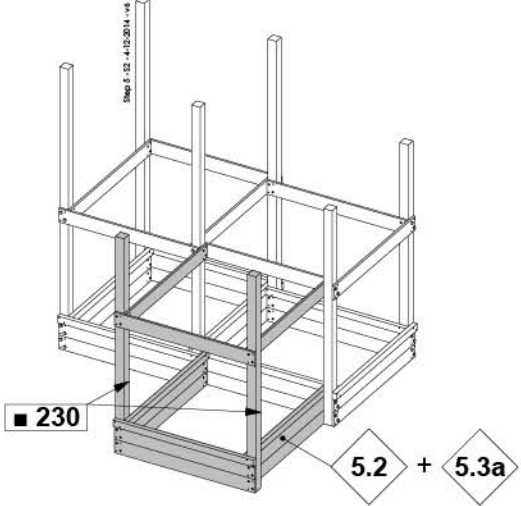


7



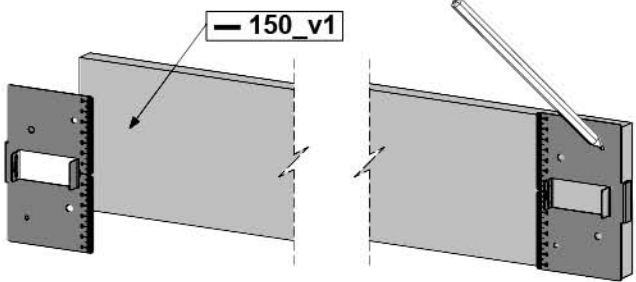
8





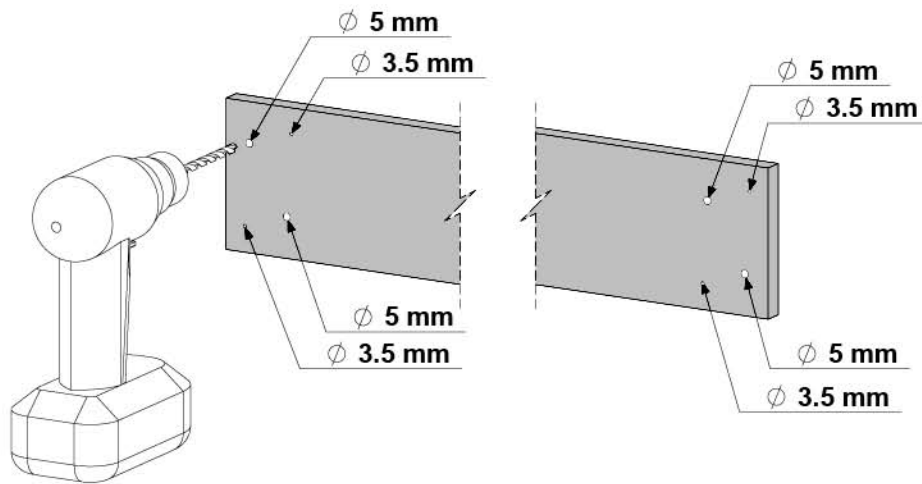
5

1

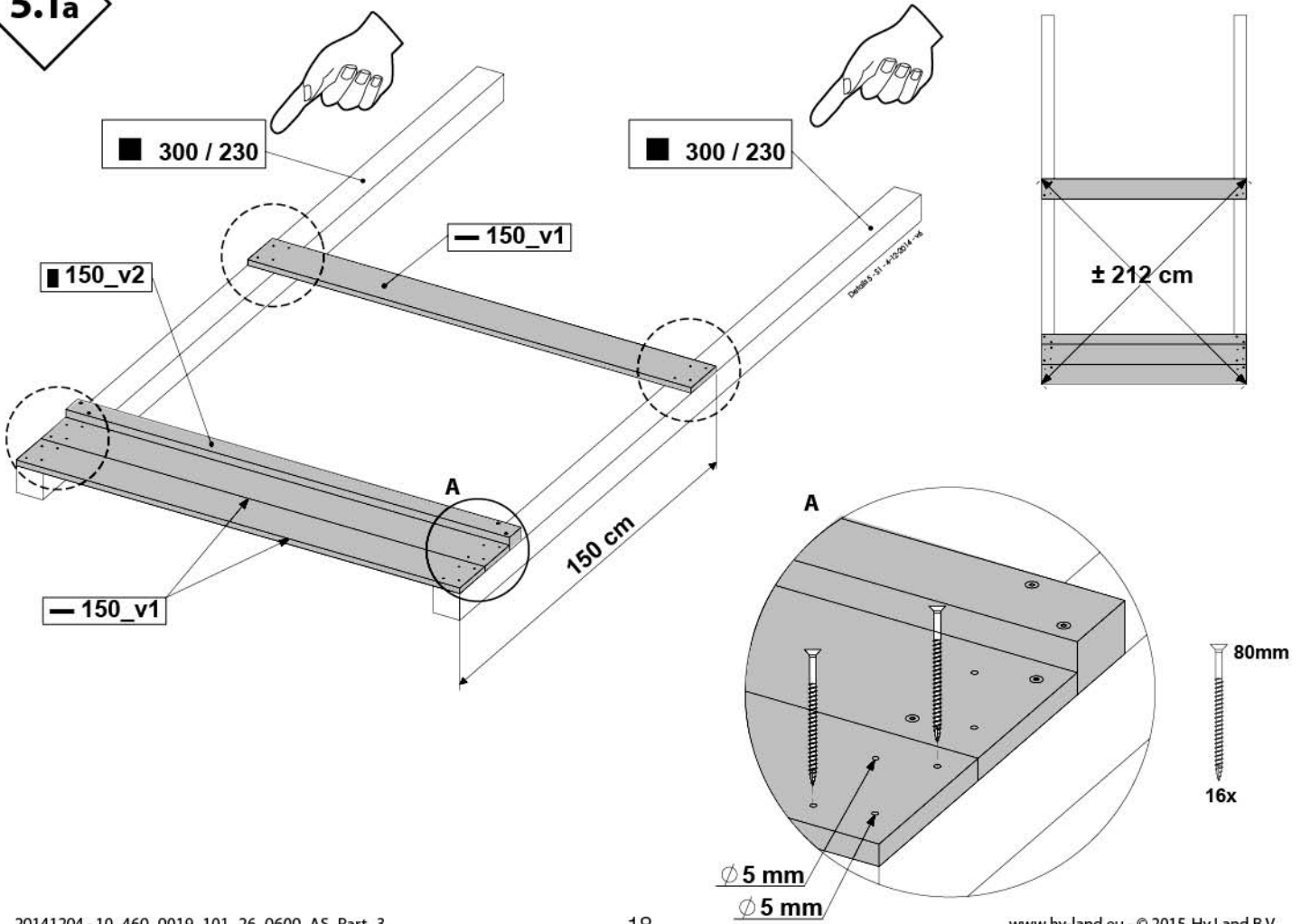


1	2	3	4	5	6	7	8
-	4x	4x	8x	4x	8x	8x	12x

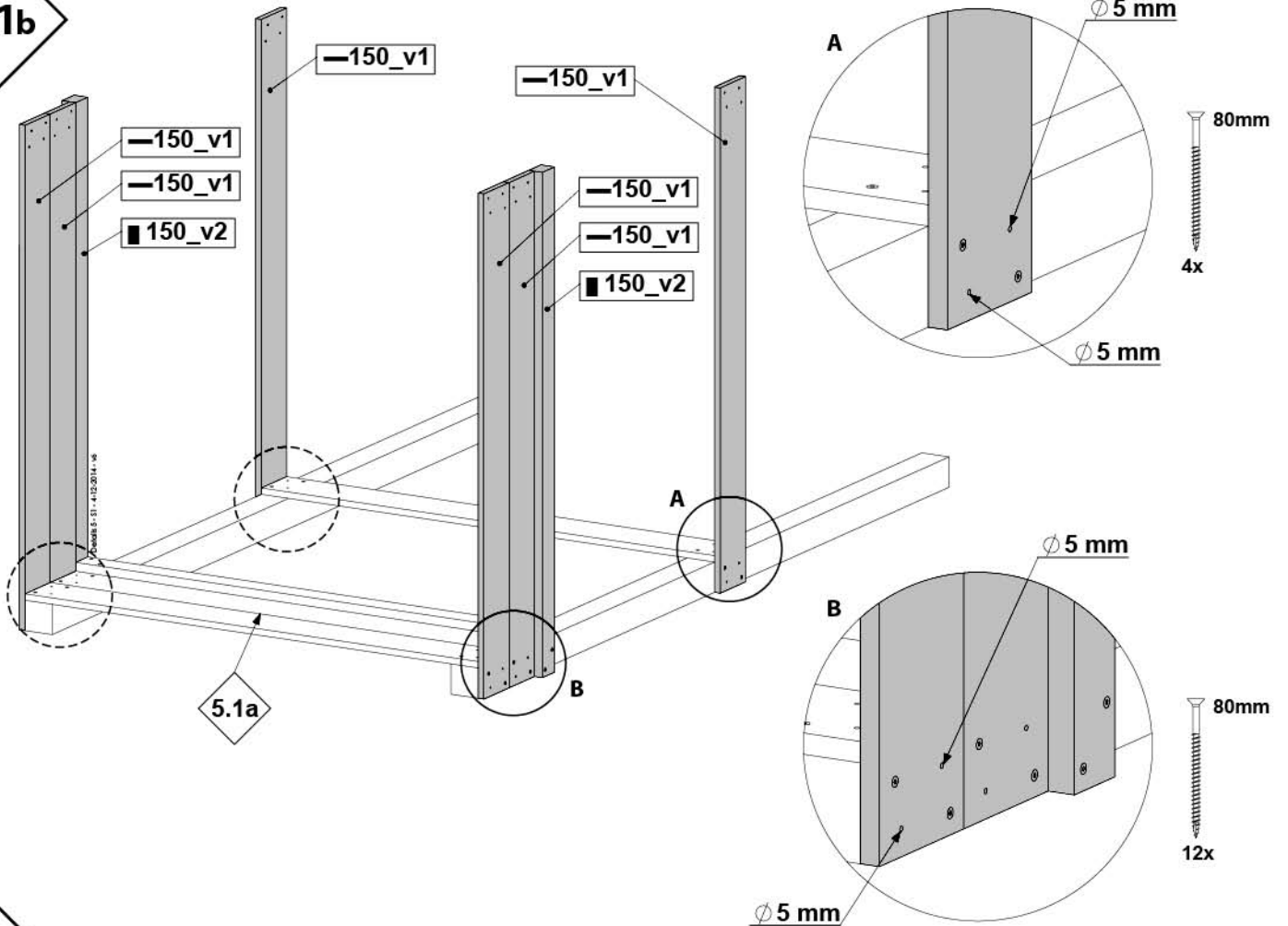
2



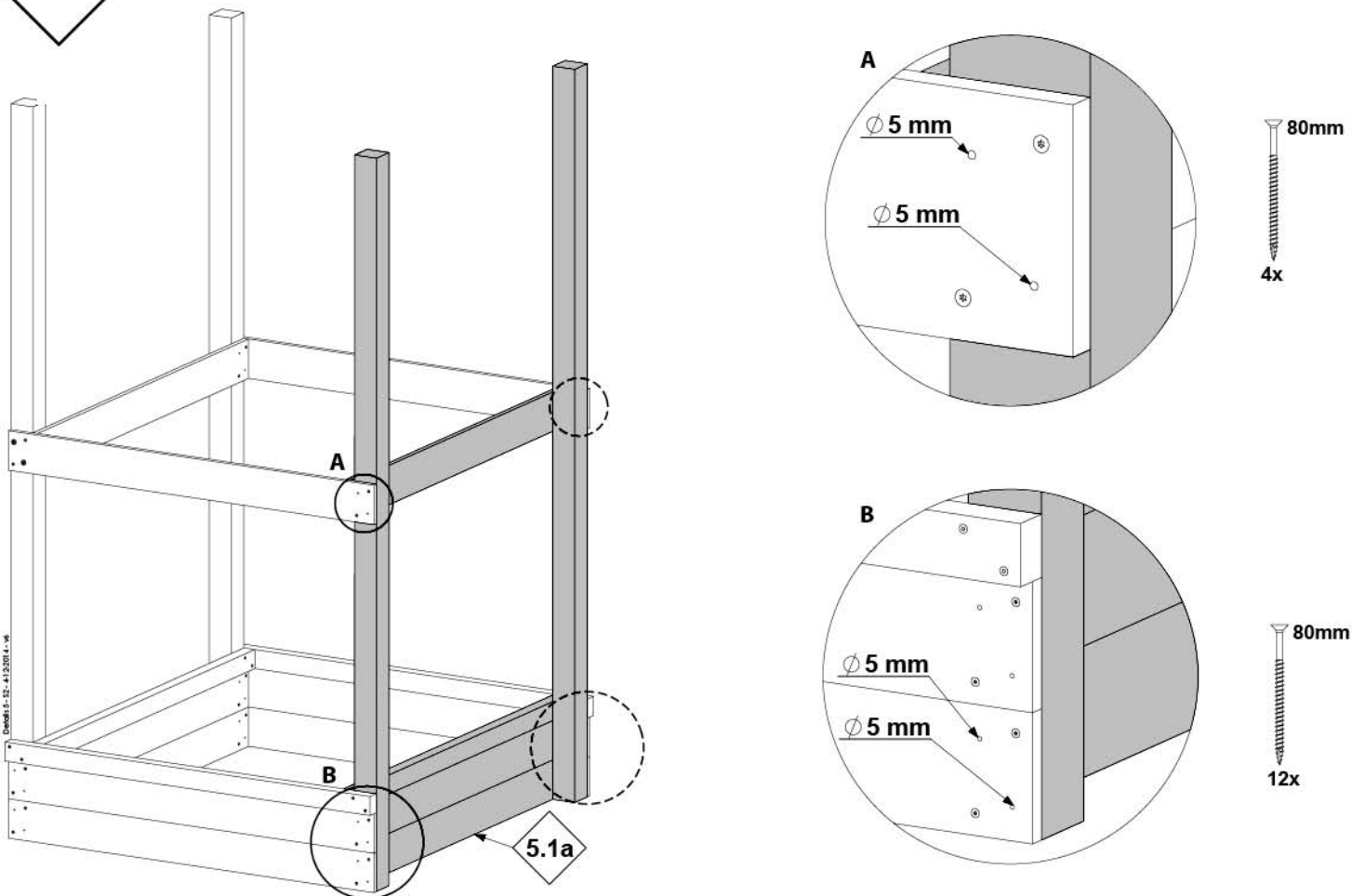
5.1a



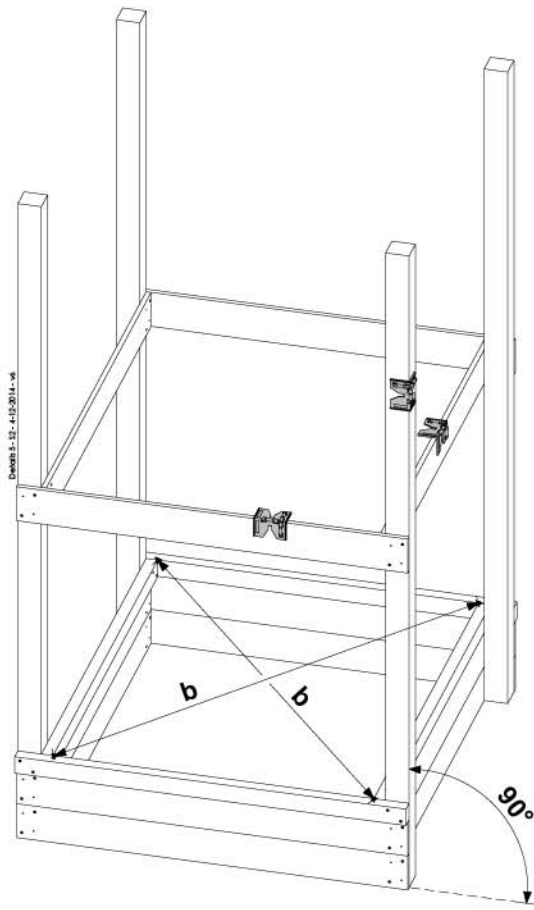
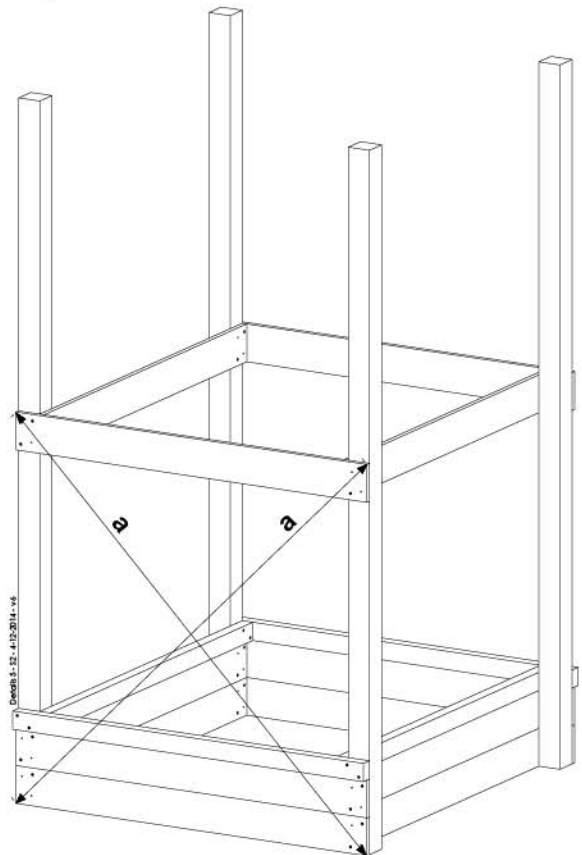
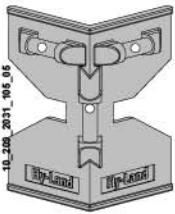
# 5.1b



# 5.1c

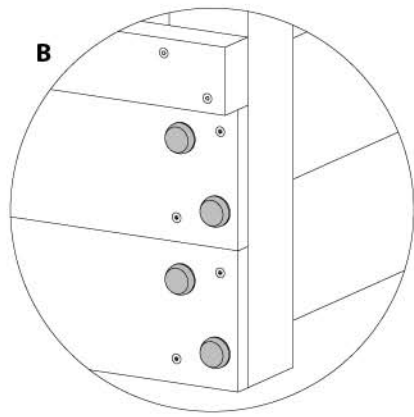
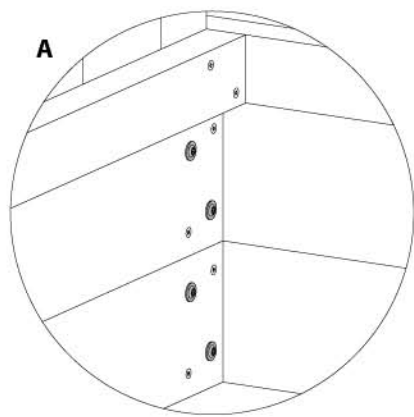
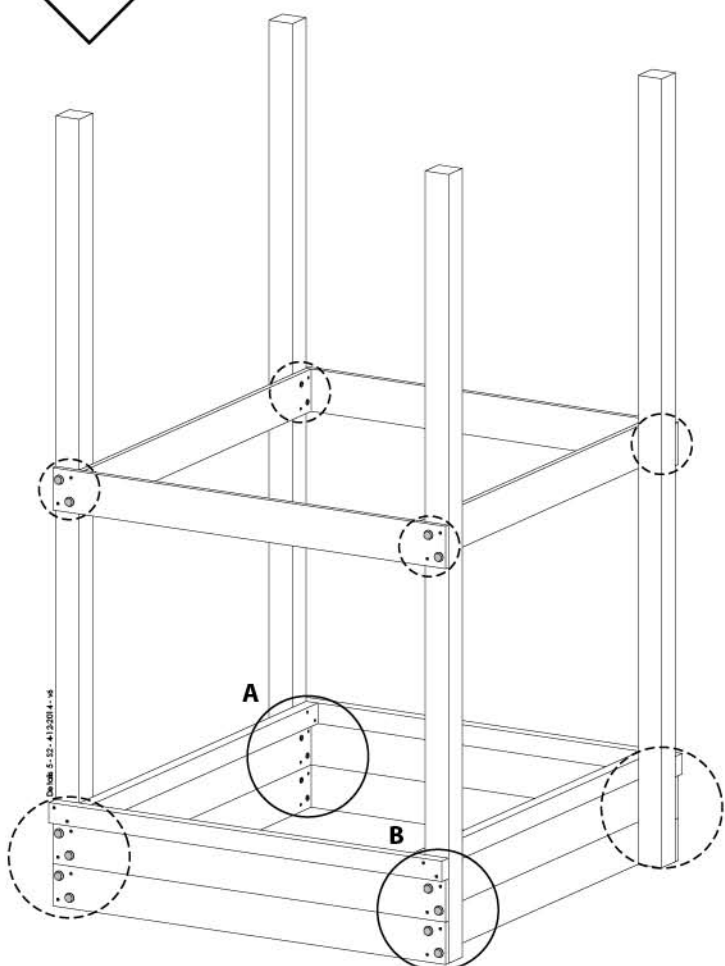


**5.1d**



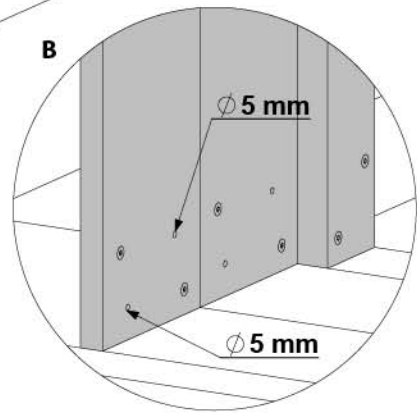
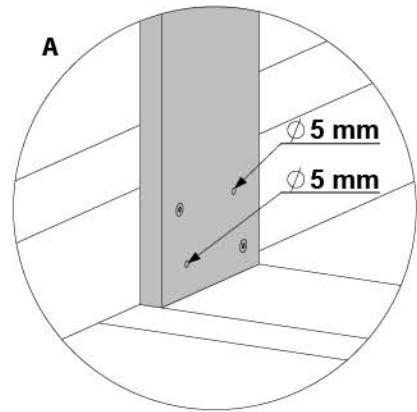
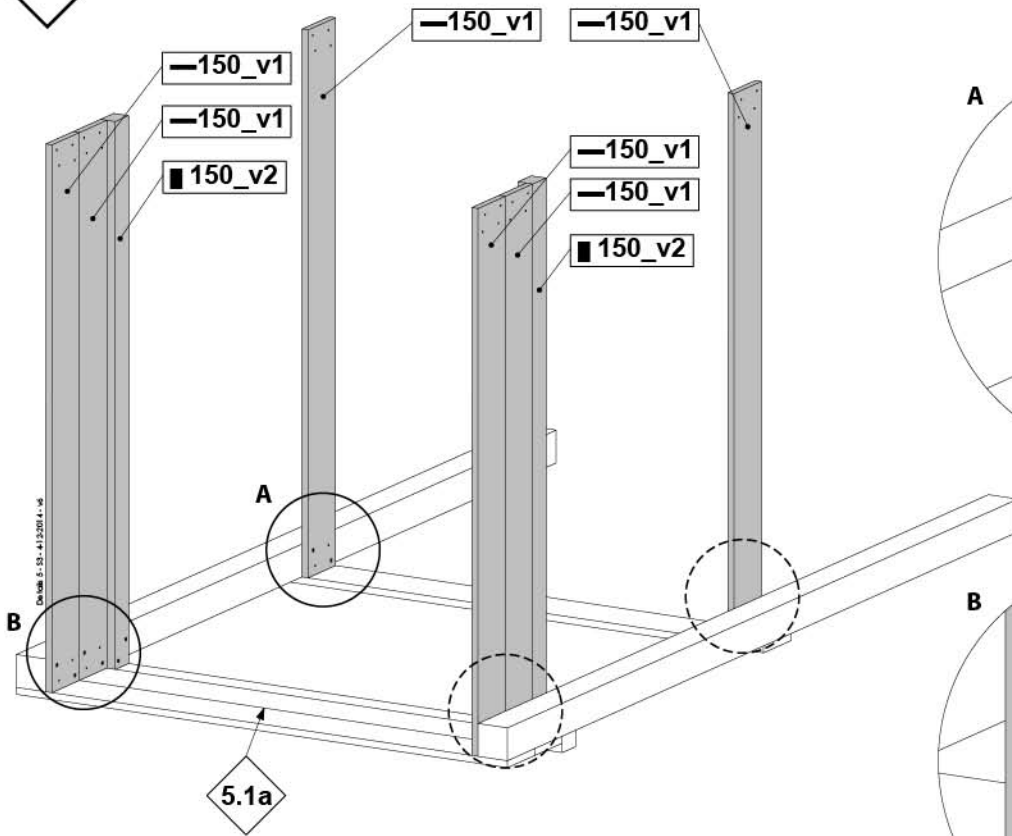
a = a  
b = b

**5.1e**

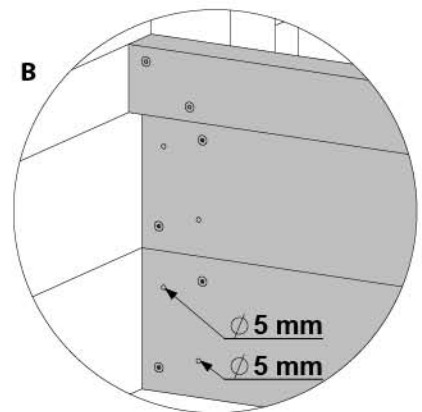
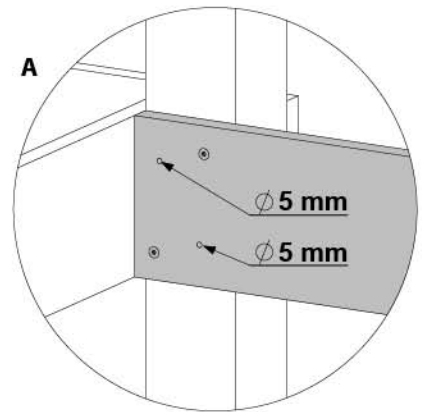
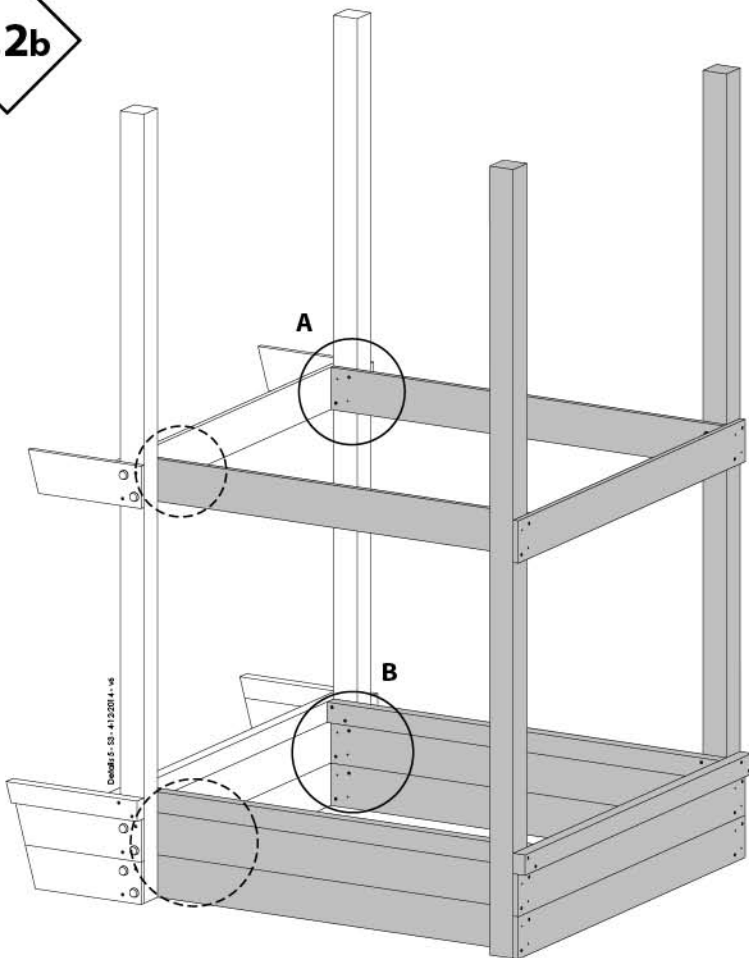




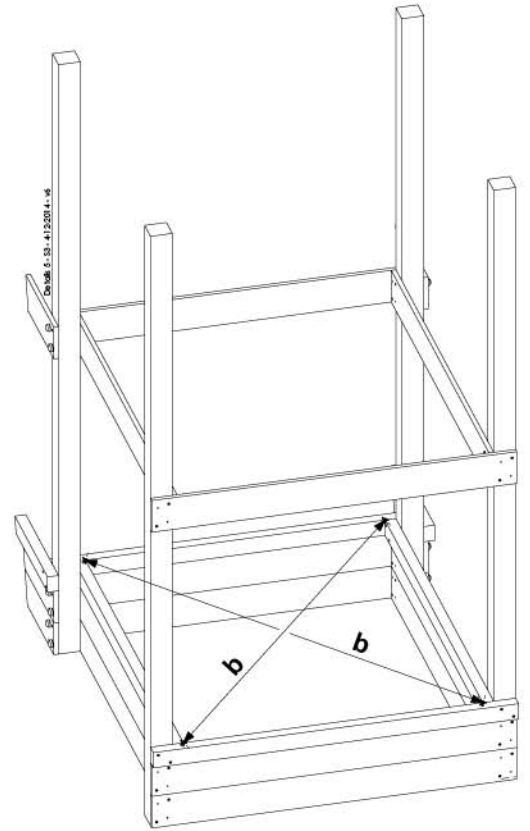
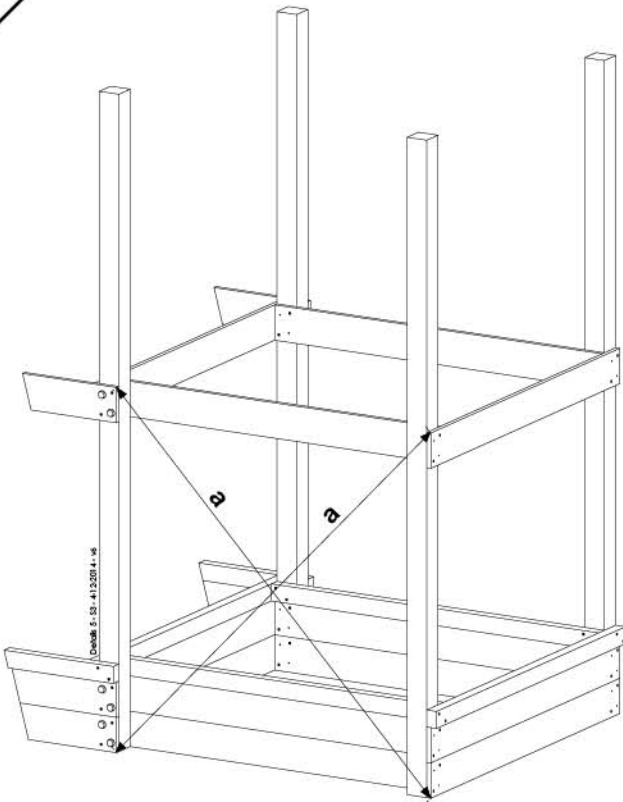
**5.2a**



**5.2b**

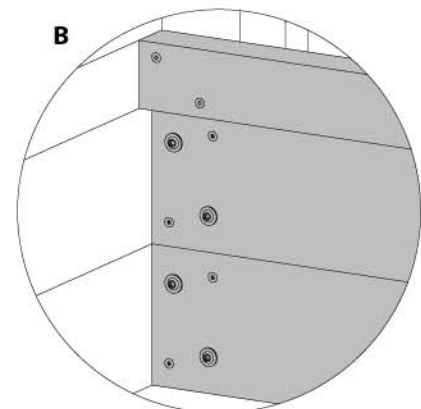
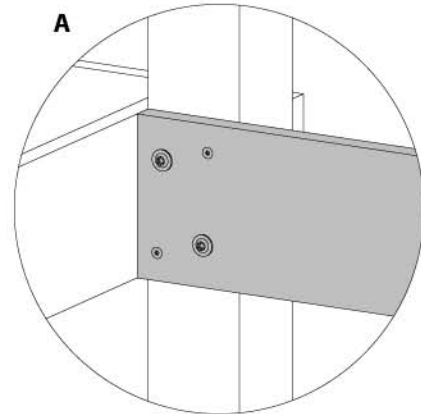
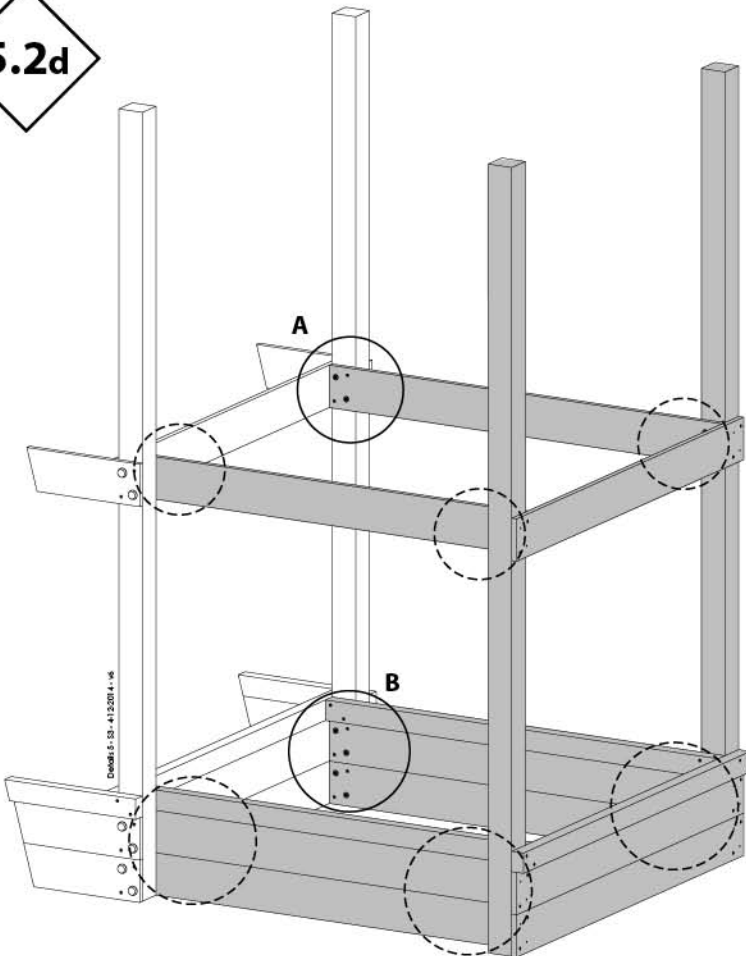


**5.2c**



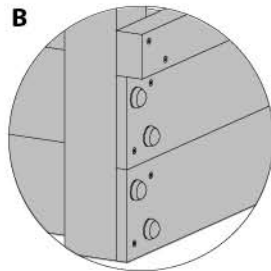
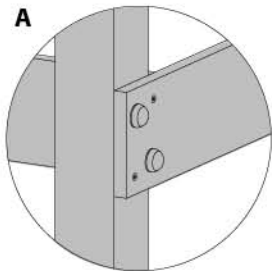
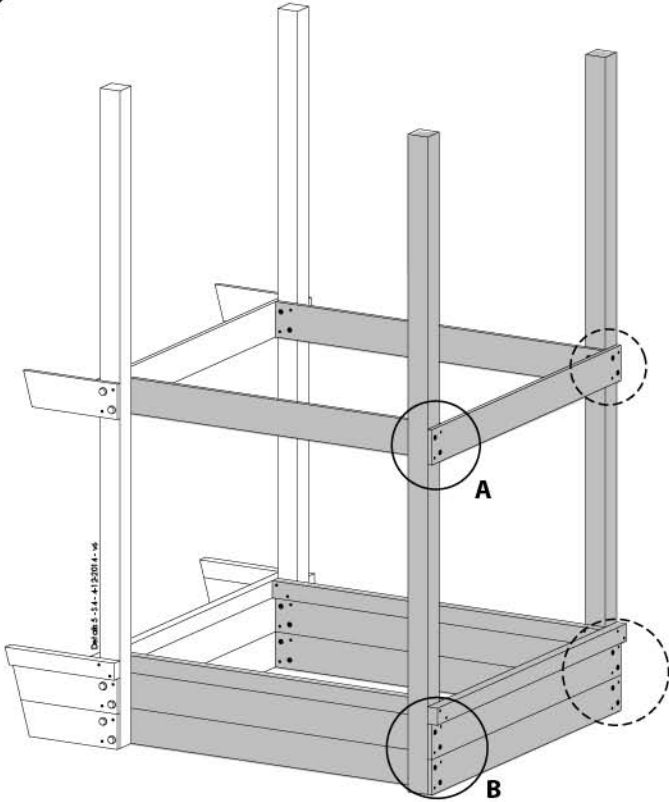
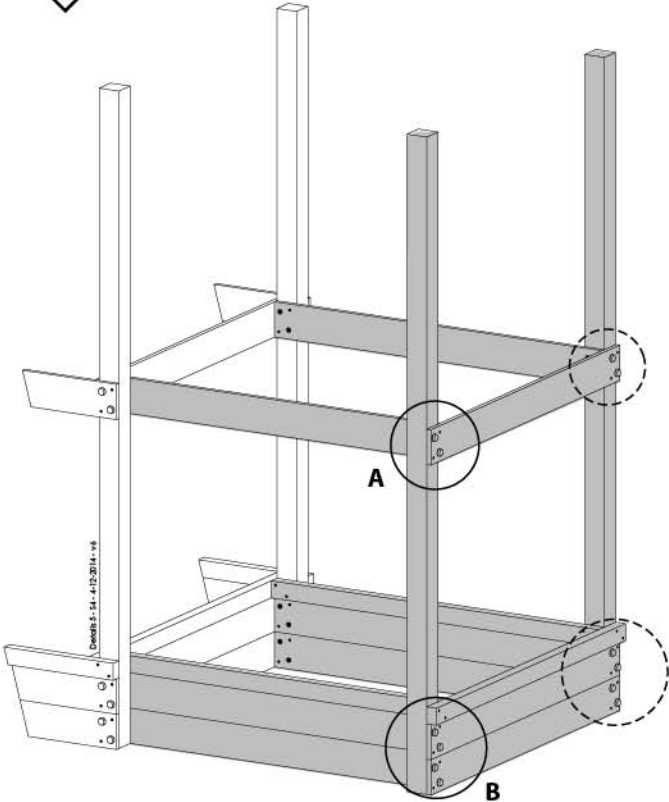
a = a  
b = b

**5.2d**



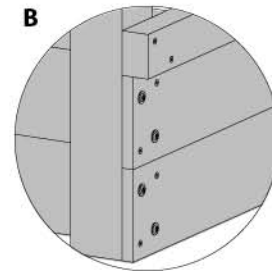
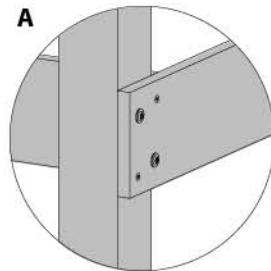
**5.3a**

**5.3b**




**80mm**  
 **4x**

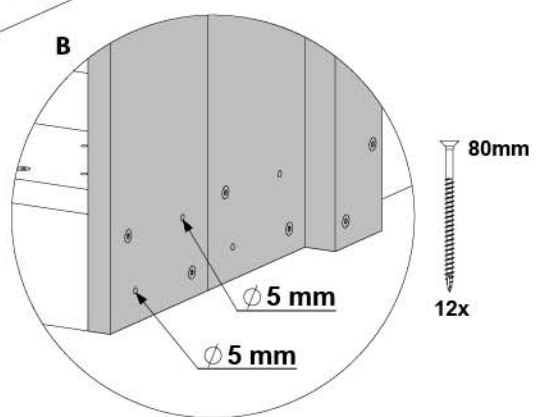
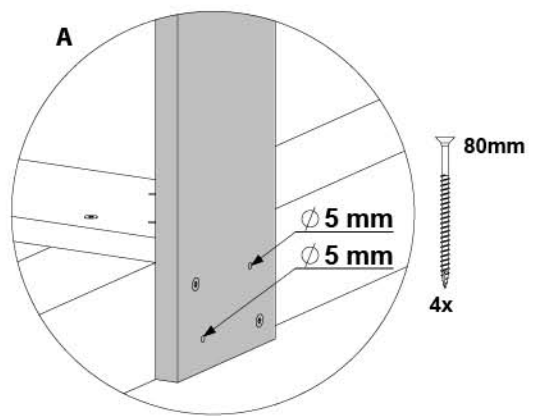
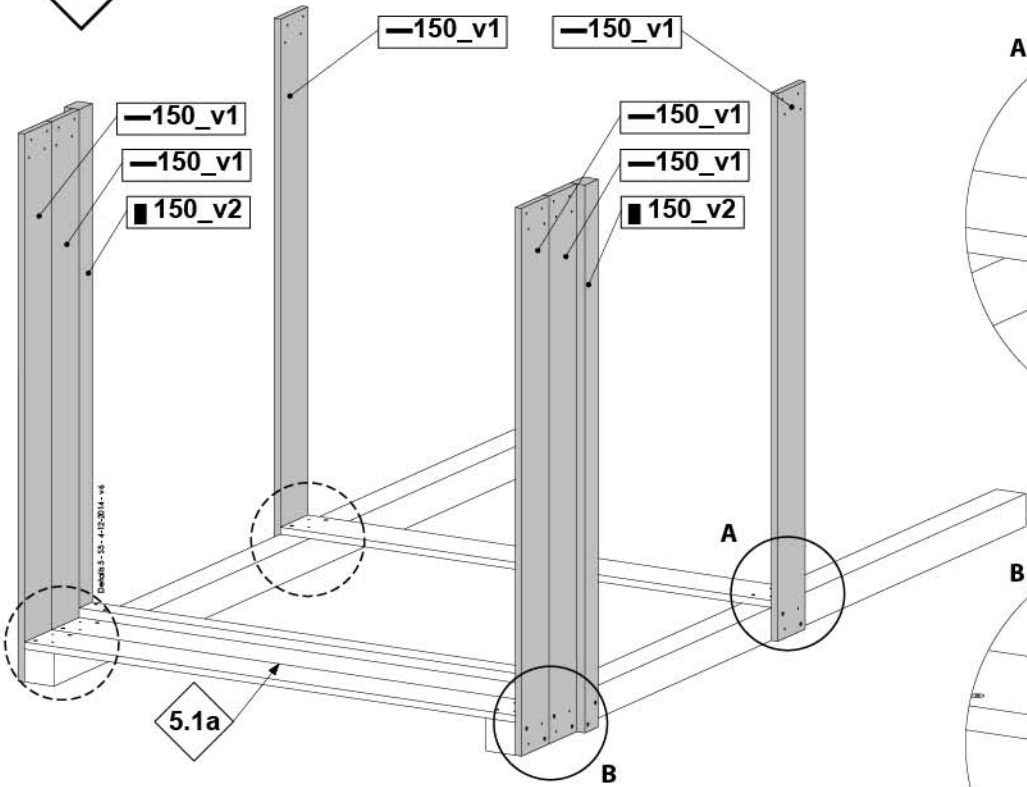
**80mm**  
 **8x**



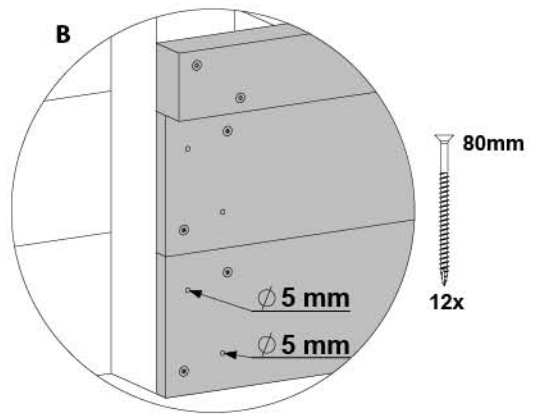
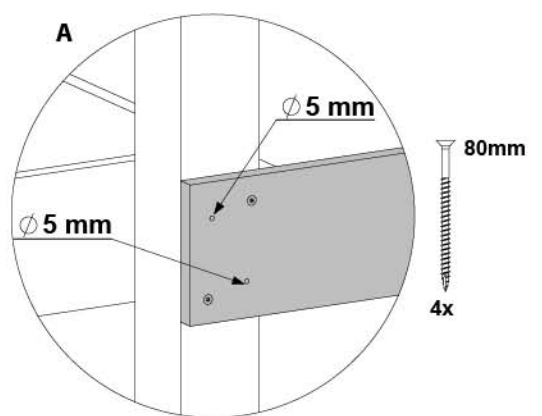
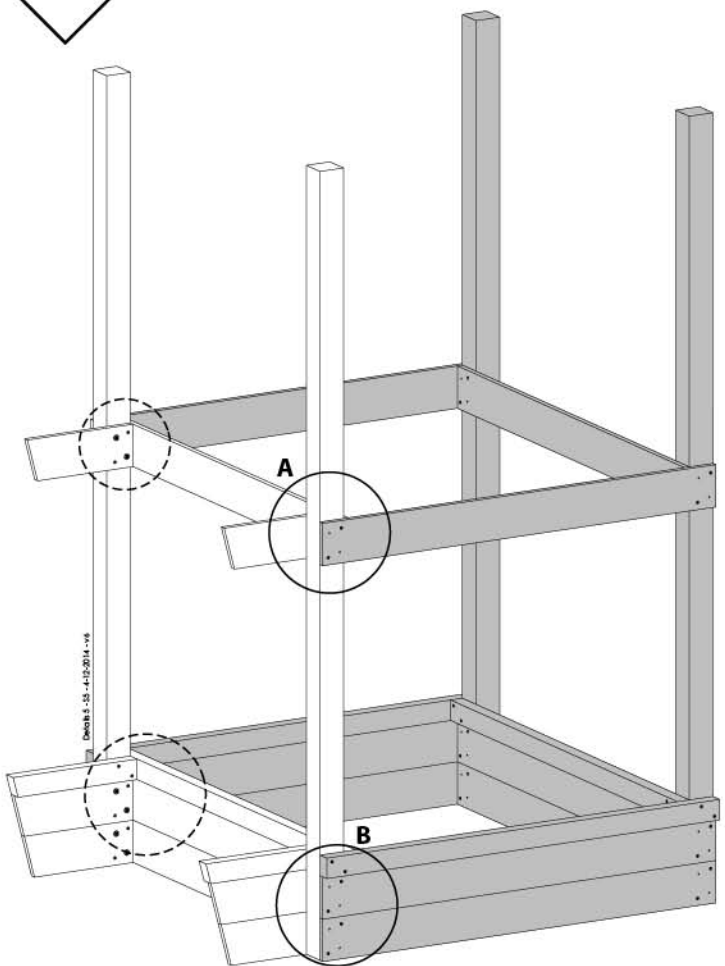
**80mm**  
 **4x**

**80mm**  
 **8x**

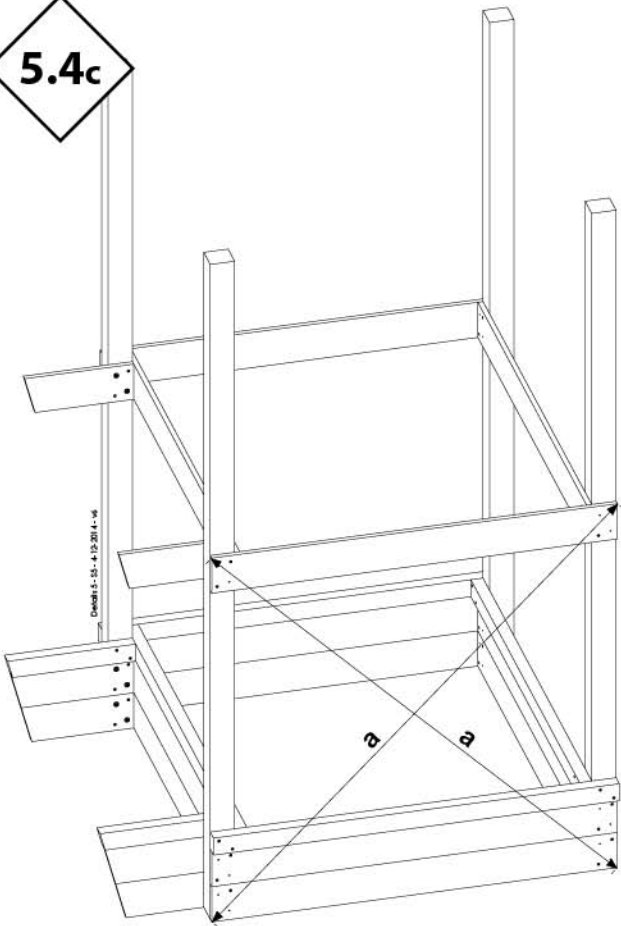
**5.4a**



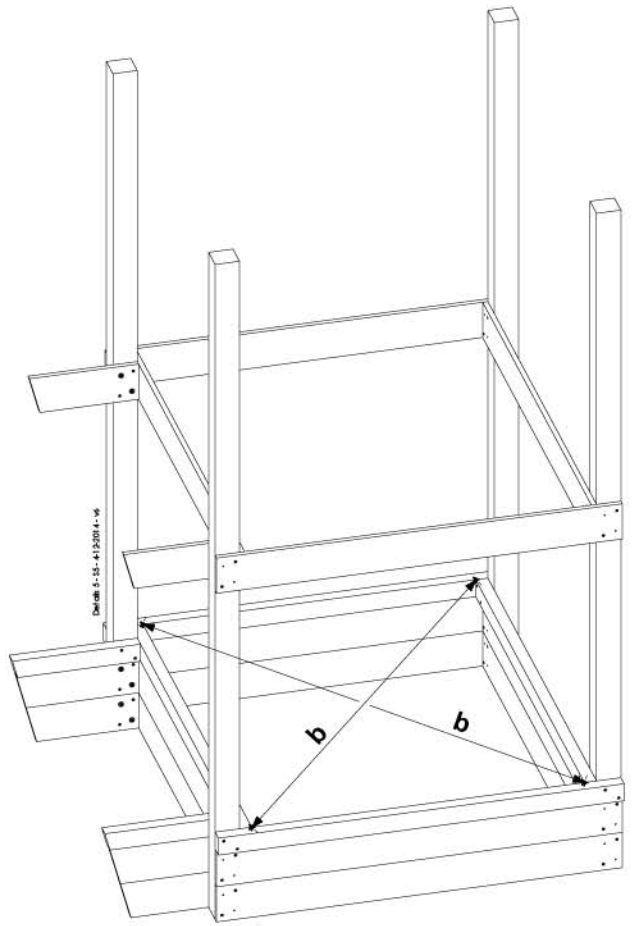
**5.4b**



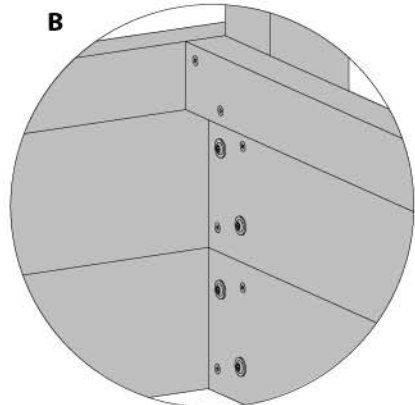
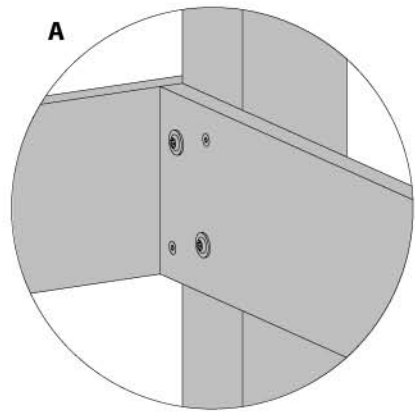
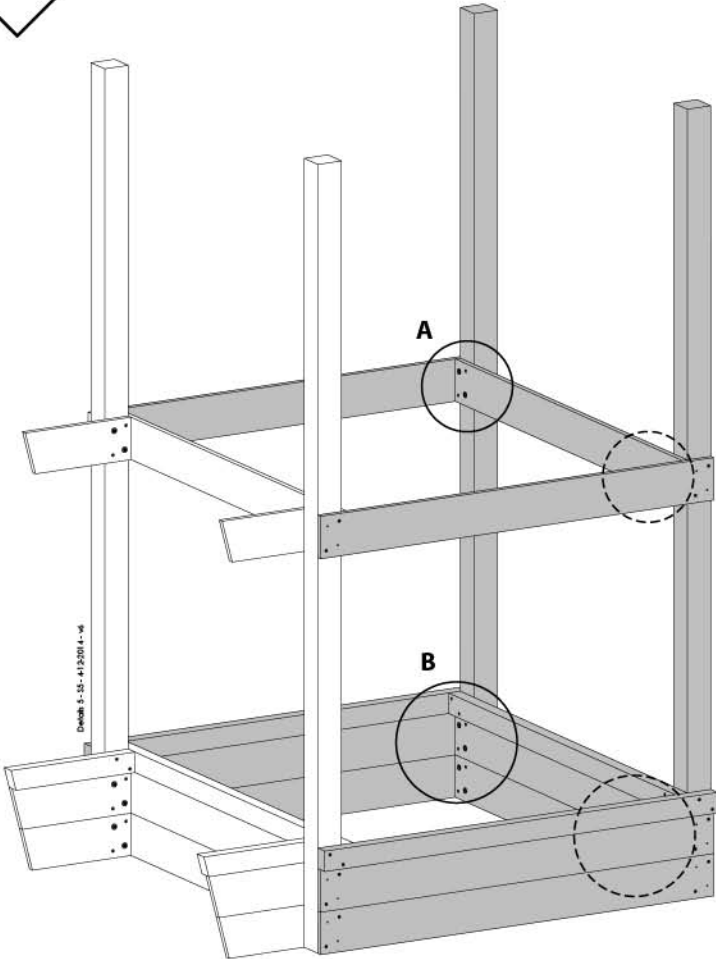
**5.4c**



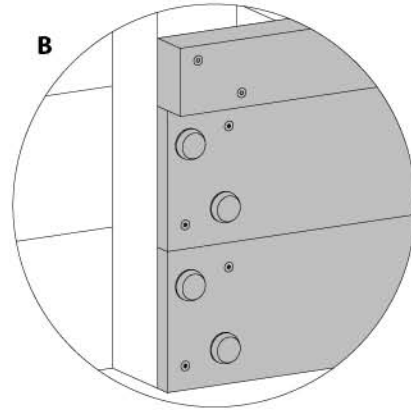
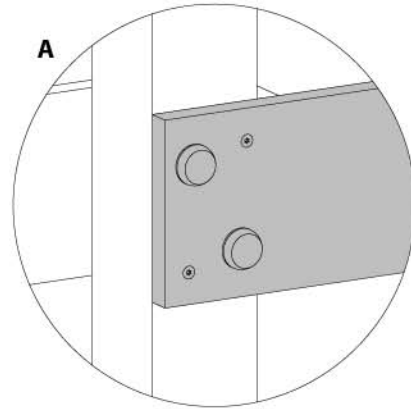
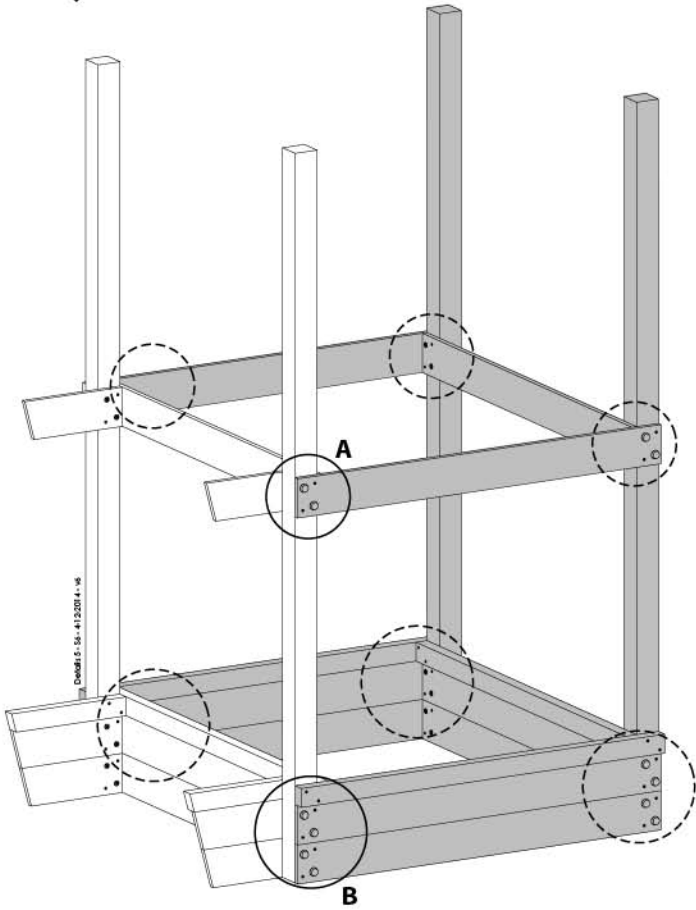
a = a  
b = b



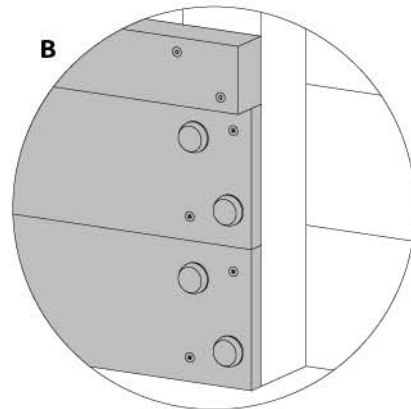
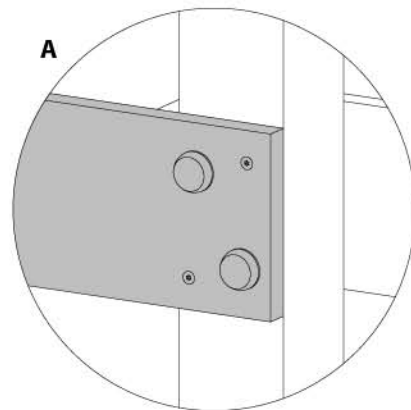
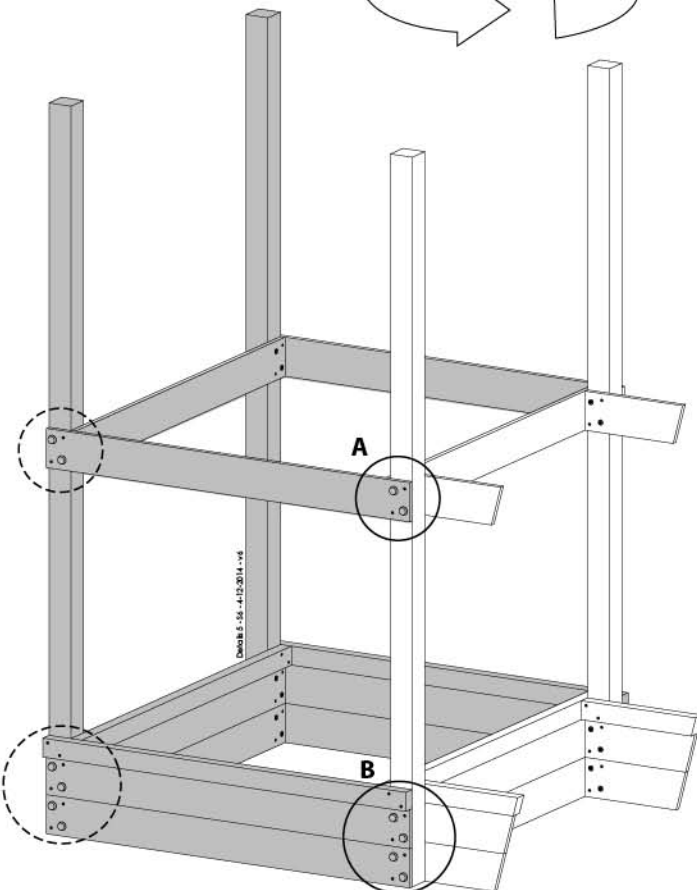
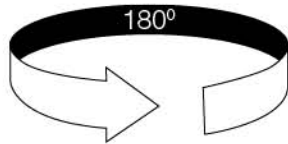
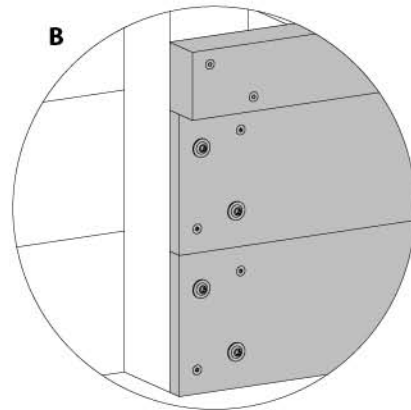
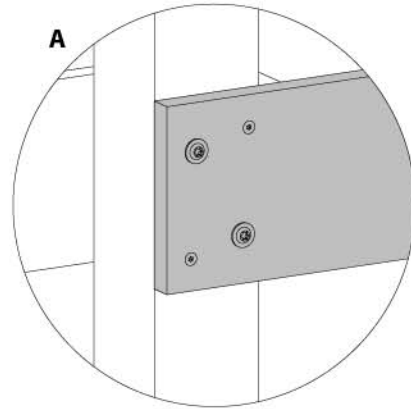
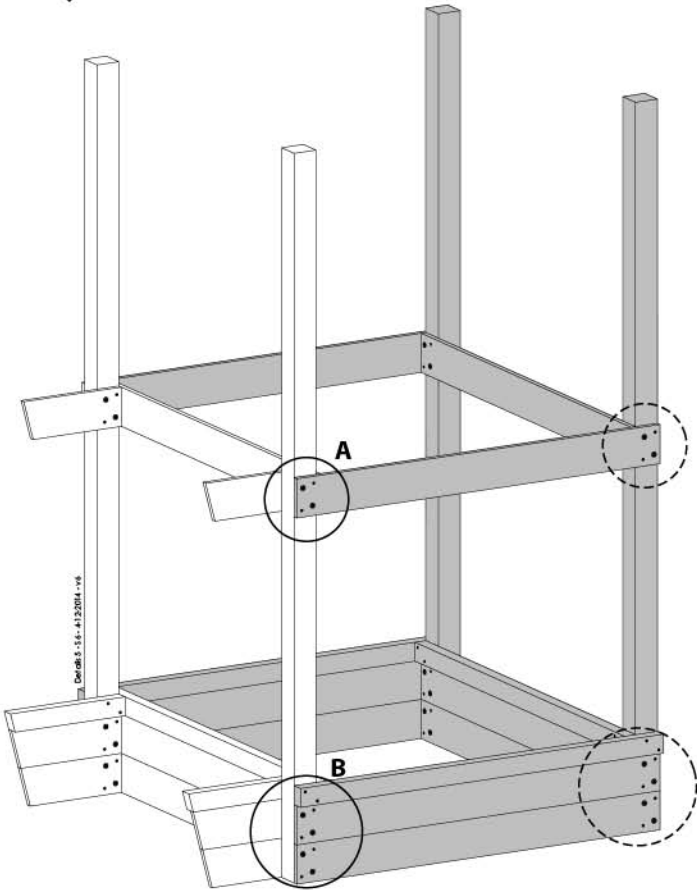
**5.4d**



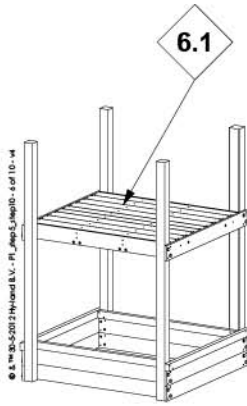
5.5a



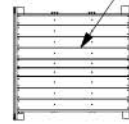
**5.5b**



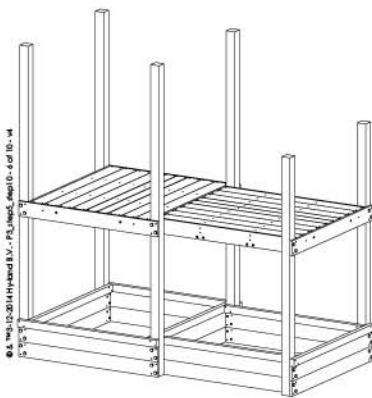
6



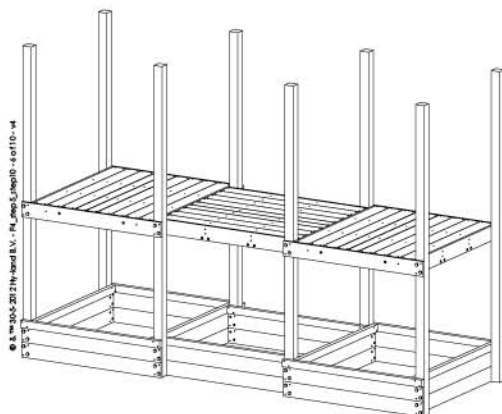
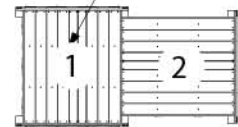
6.1



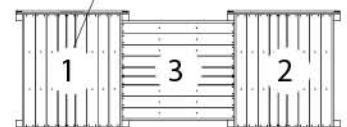
6.1



6.1

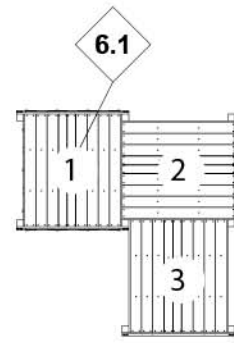
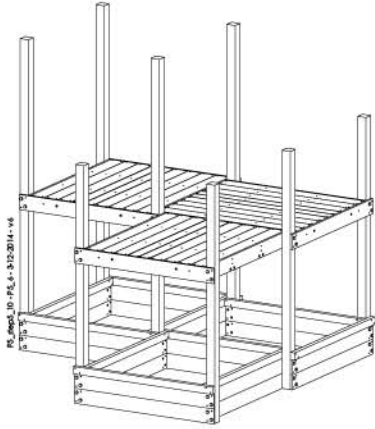


6.1

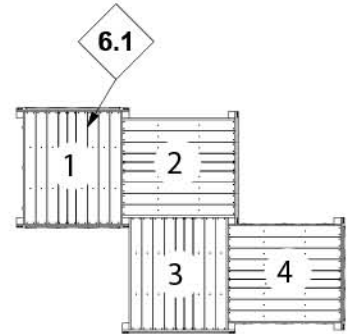
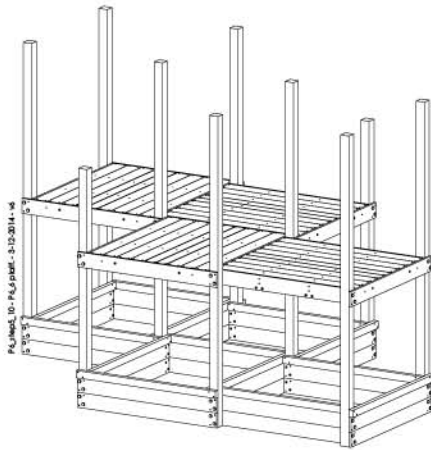




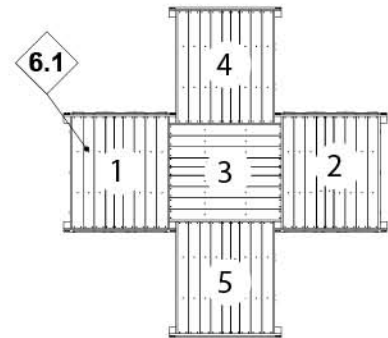
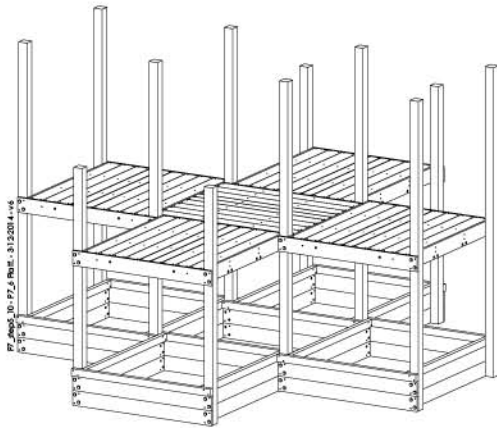
5



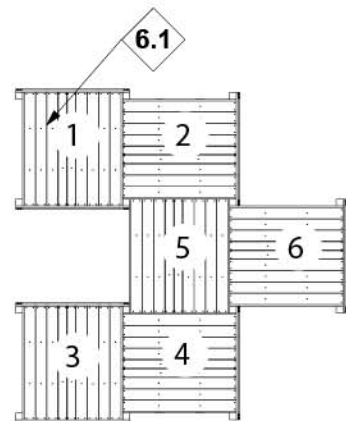
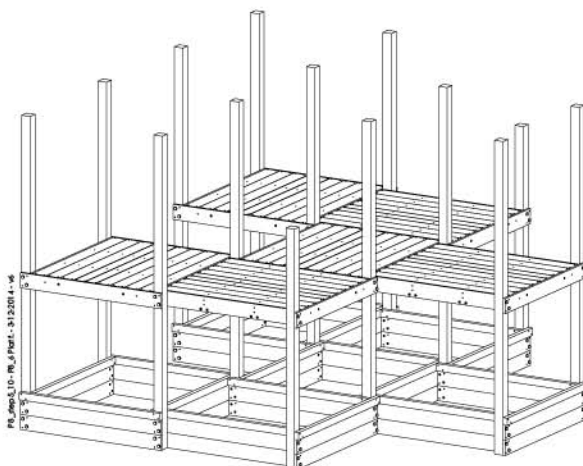
6



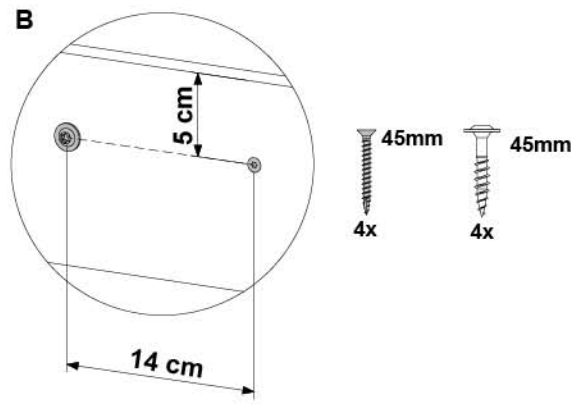
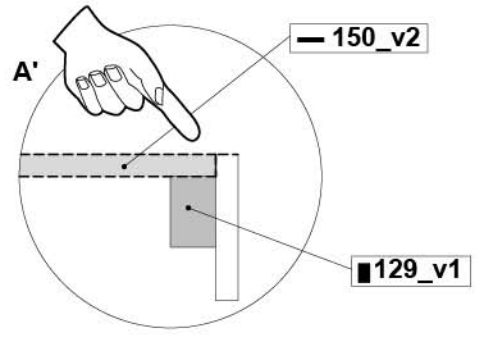
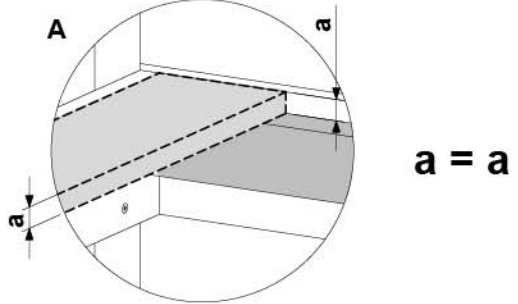
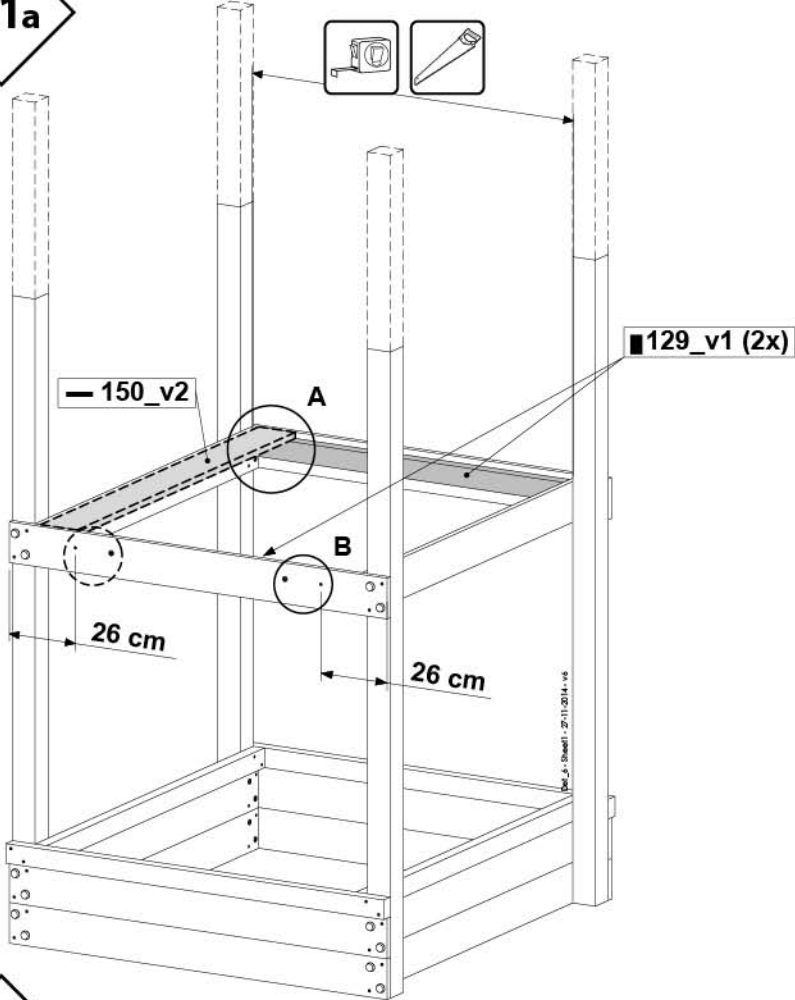
7



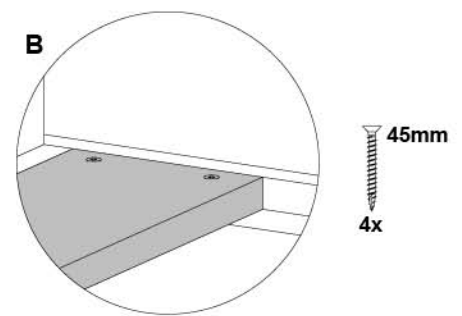
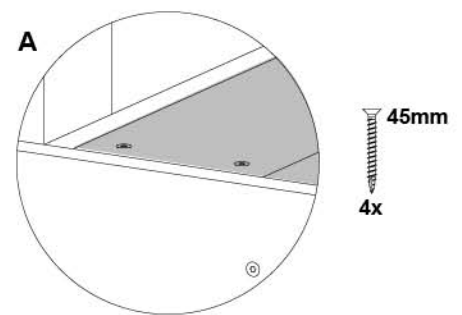
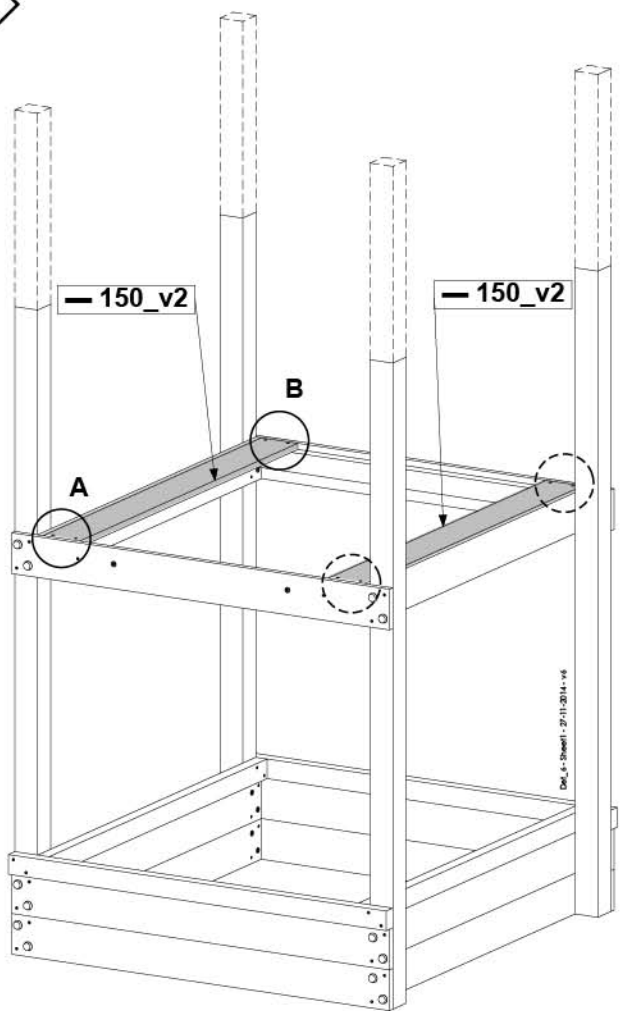
8



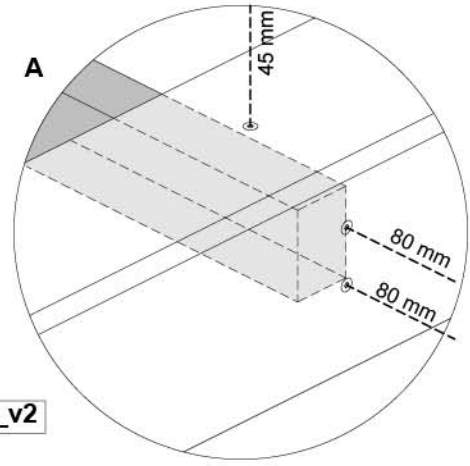
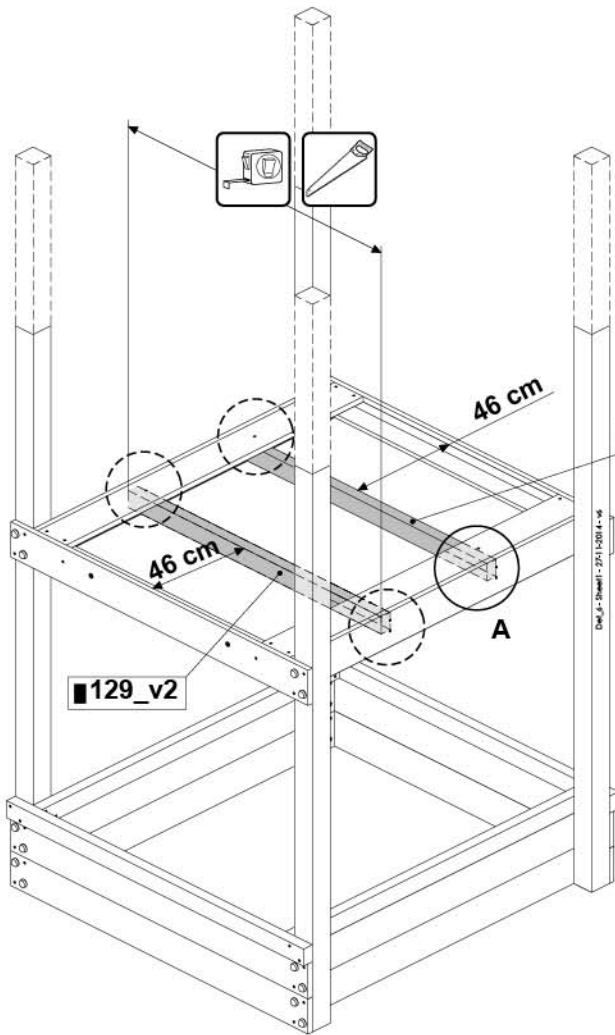
**6.1a**



**6.1b**

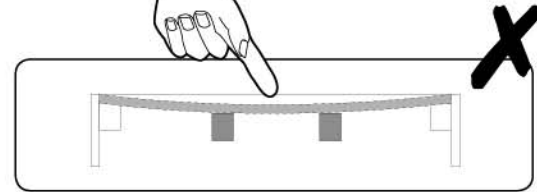
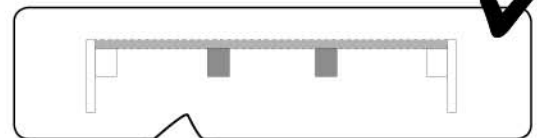
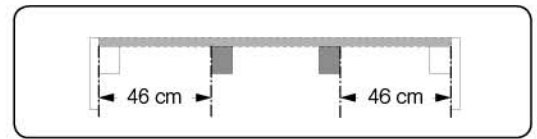


**6.1c**

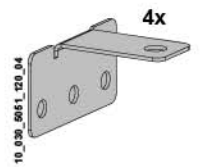
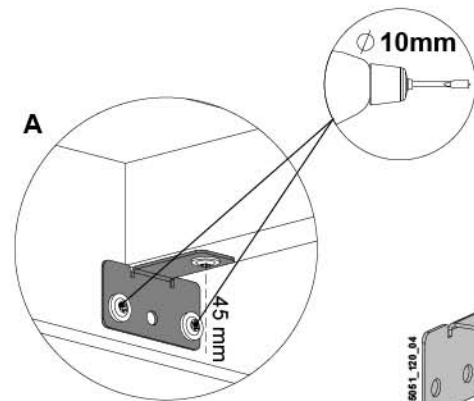
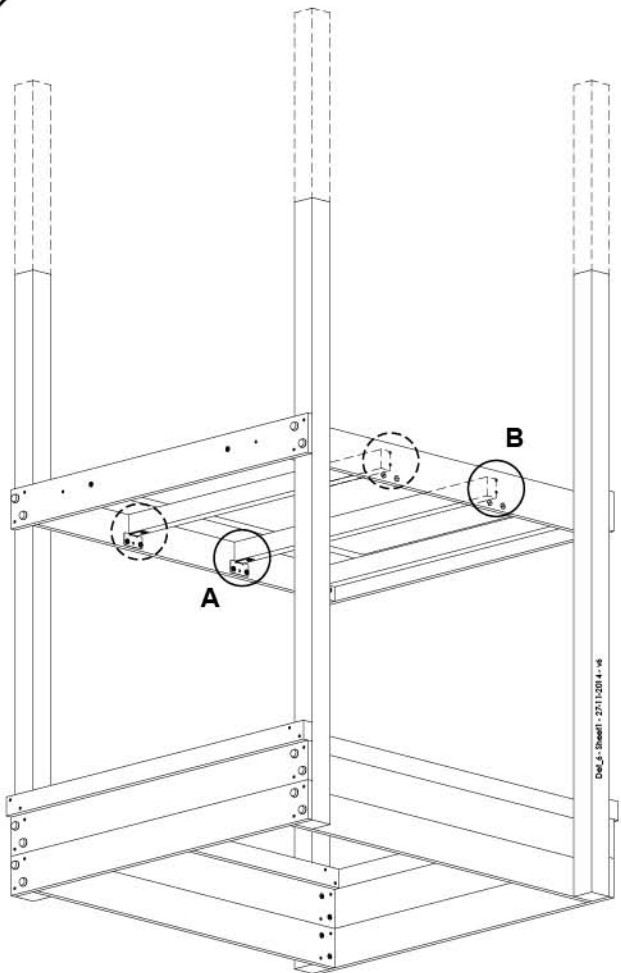


45mm  
4x

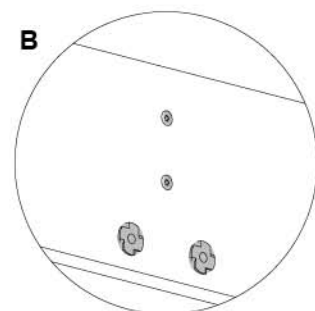
80mm  
8x



**6.1d**

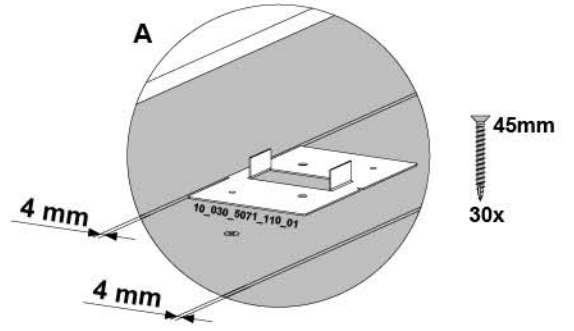
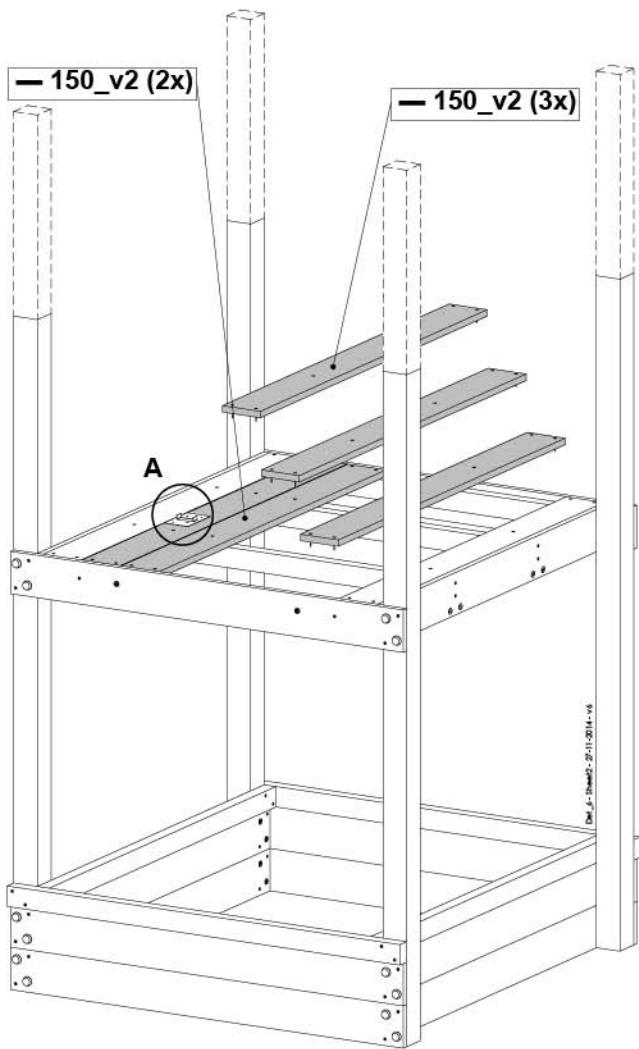


45mm  
4x

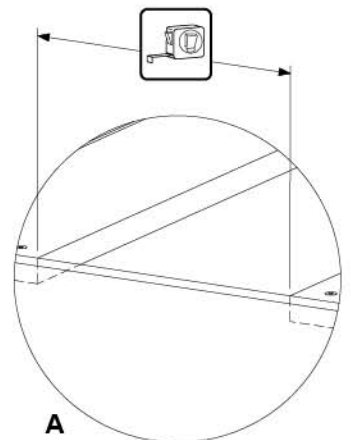
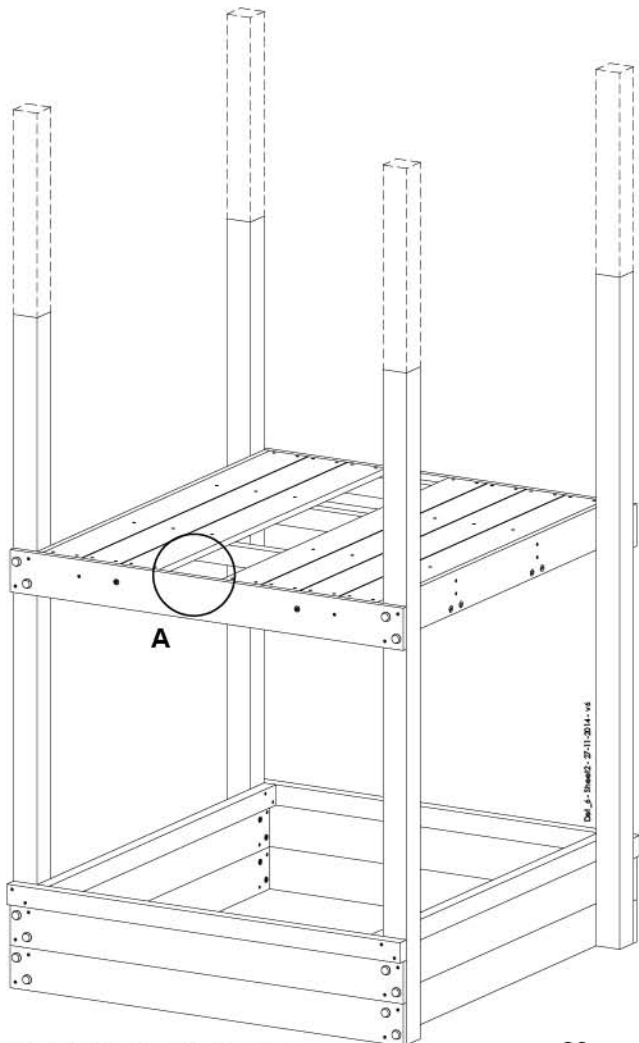


18mm  
ø15  
16mm  
8x

6.1e

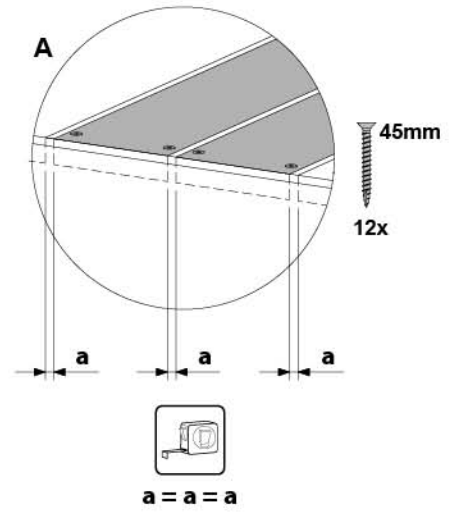
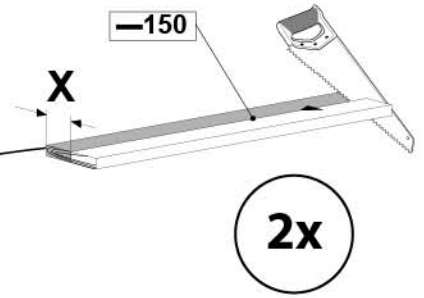
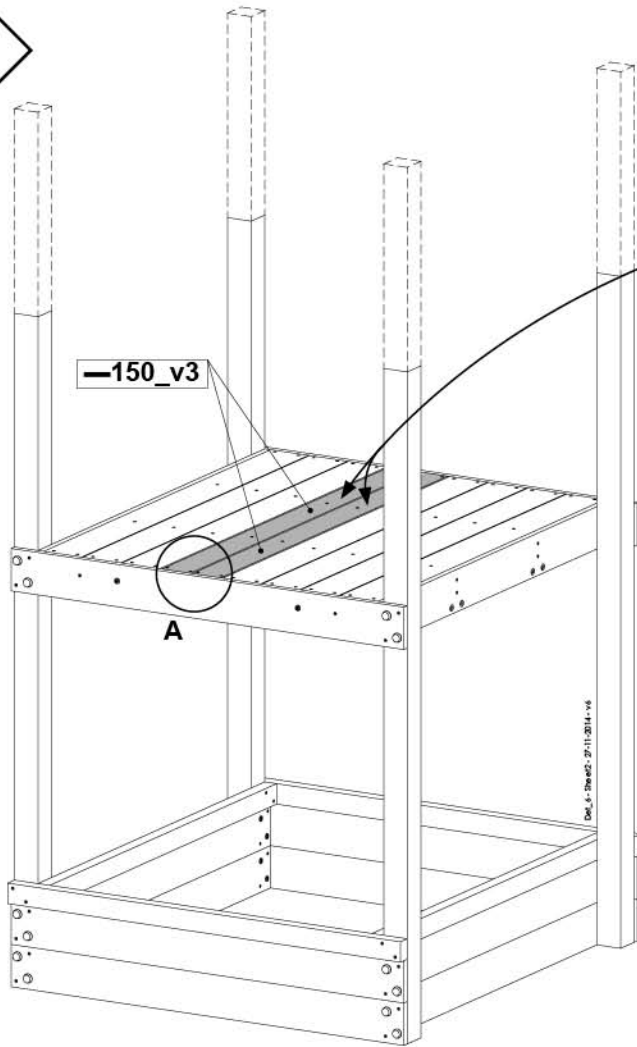


6.1f

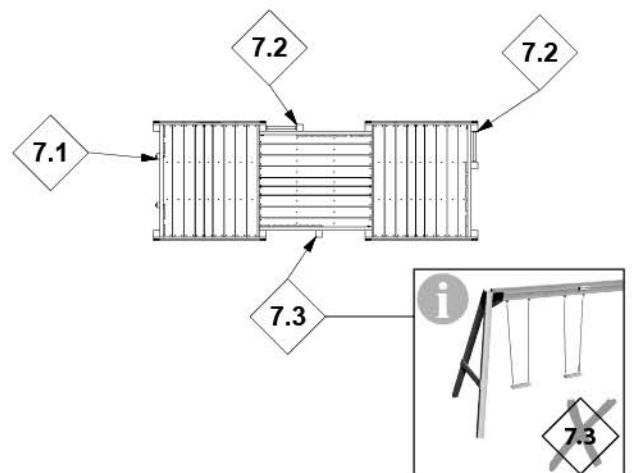
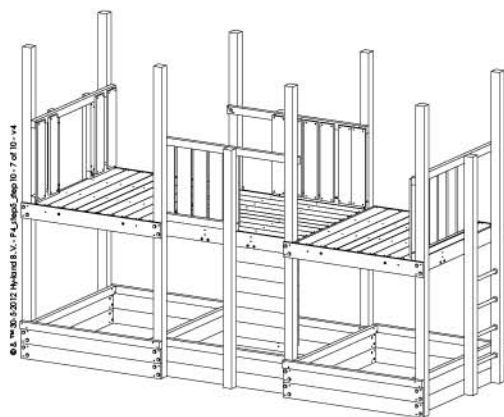
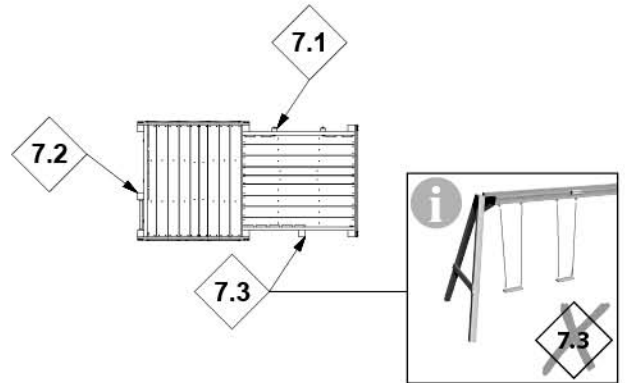
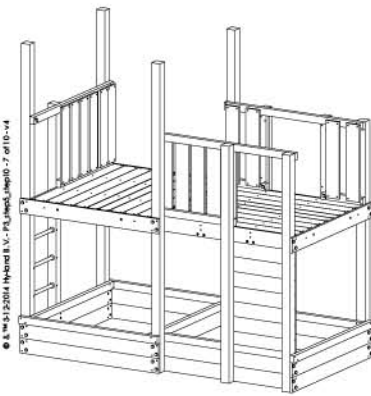
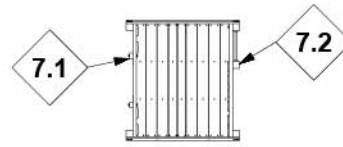
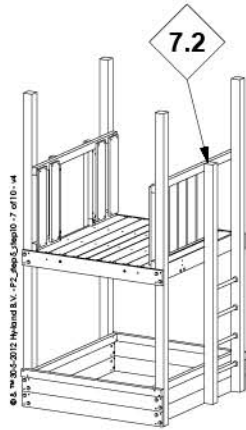
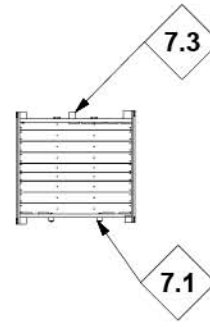
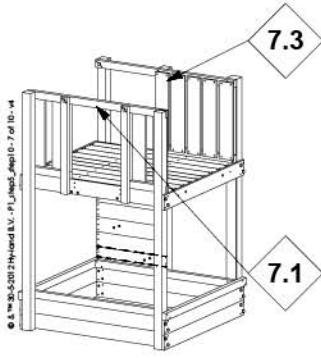


$$\frac{\text{Level icon} - 1,2 \text{ cm}}{2} = X$$

6.1g



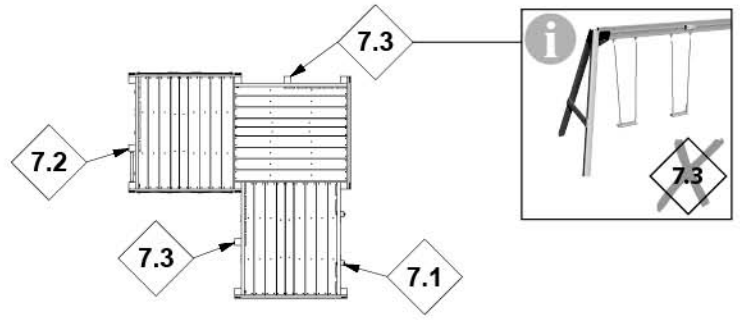
7



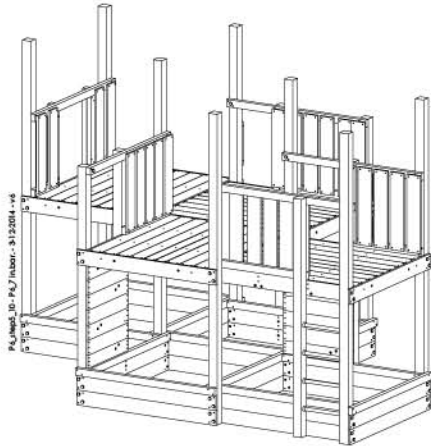
5



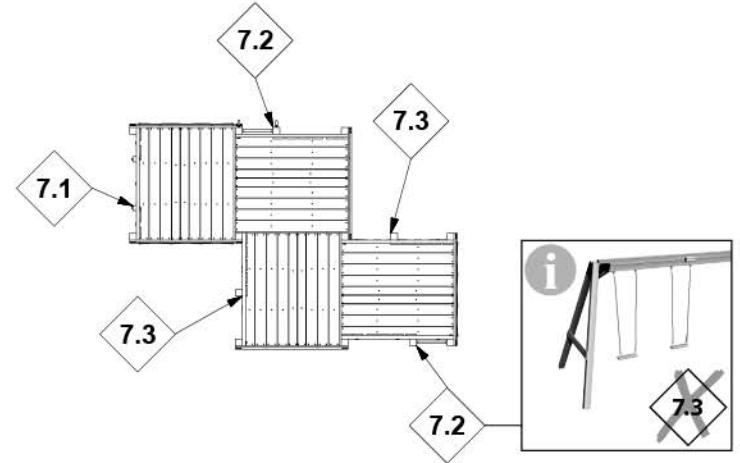
RU\_Ans\_10\_#5\_7\_312014-v4



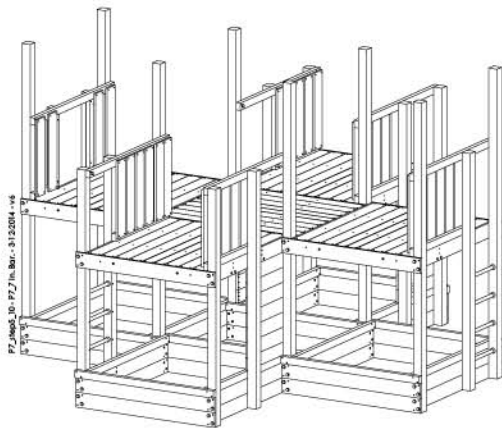
6



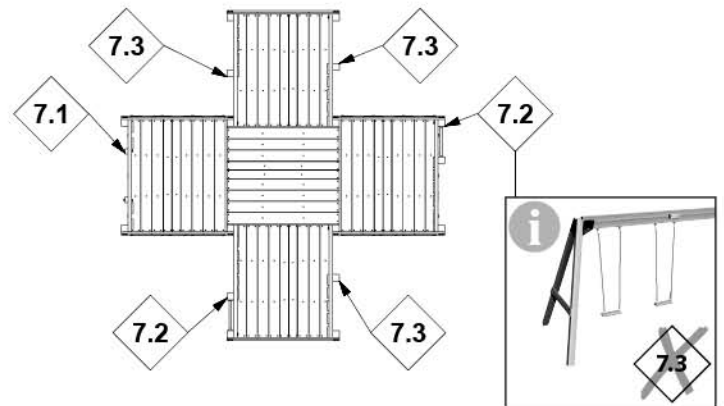
RU\_Ans\_10\_#6\_7\_312014-v4



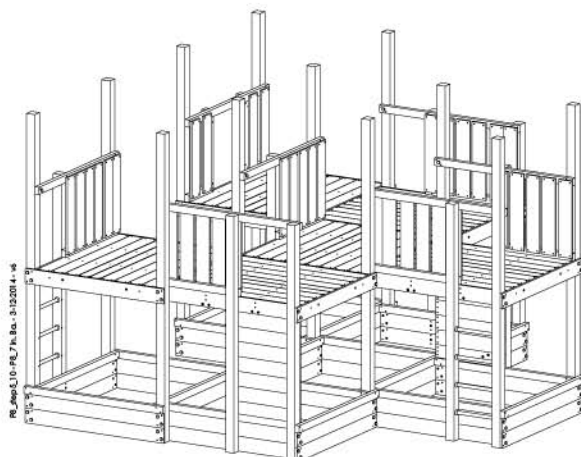
7



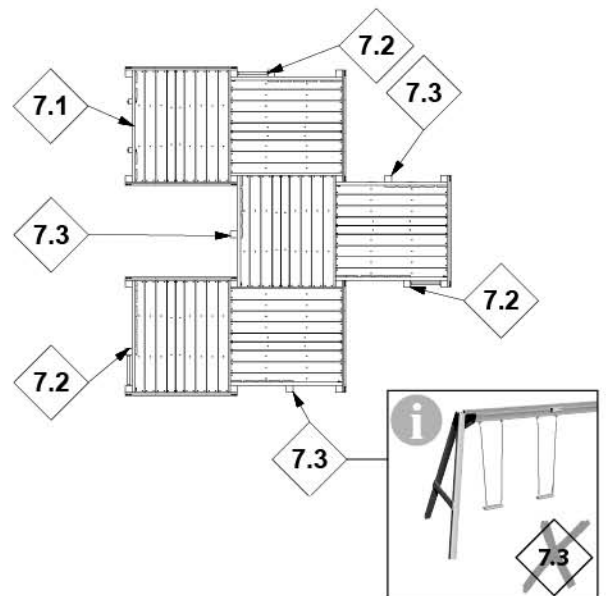
RU\_Ans\_10\_#7\_7\_312014-v4



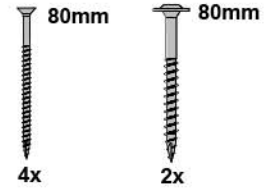
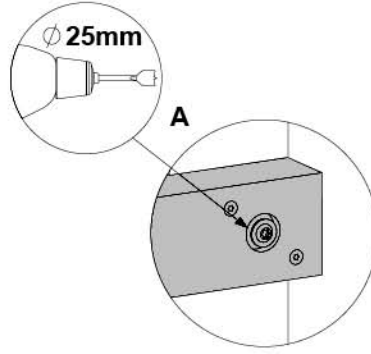
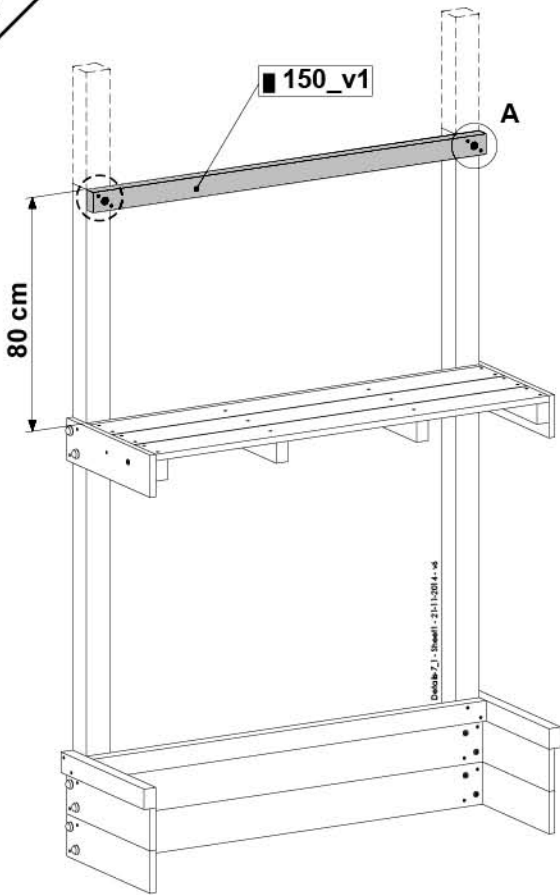
8



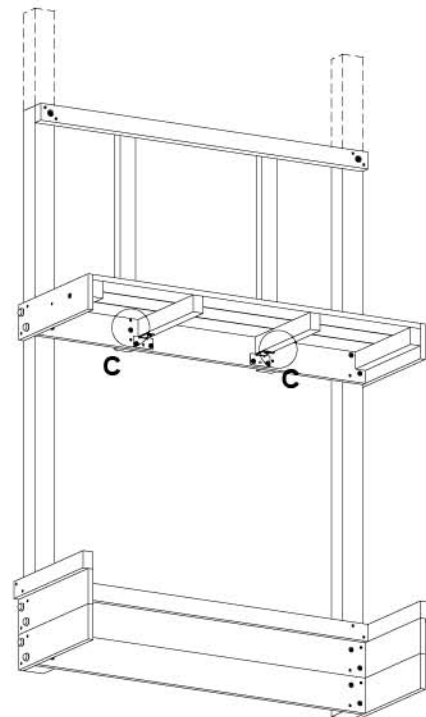
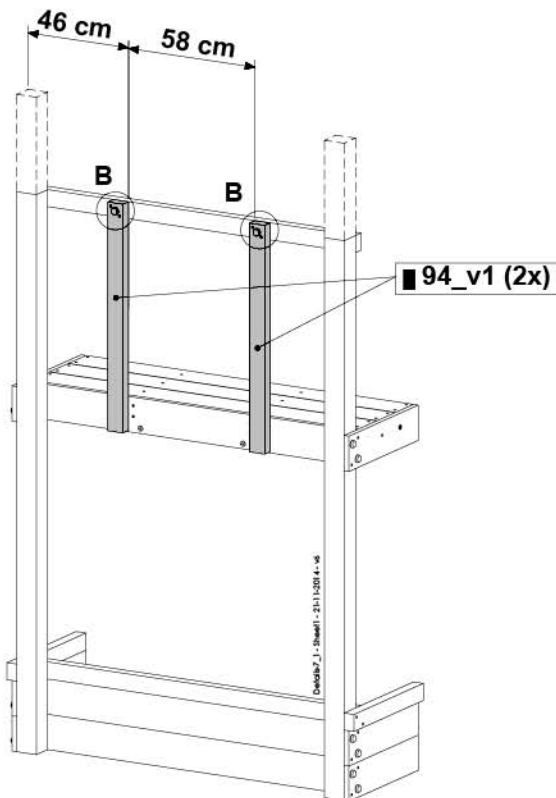
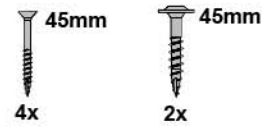
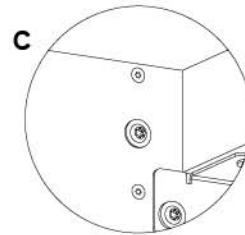
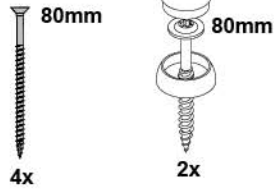
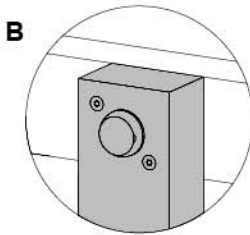
RU\_Ans\_10\_#8\_7\_312014-v4



**7.1a**

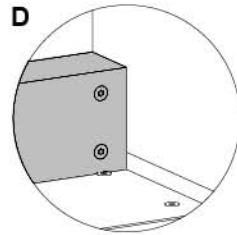
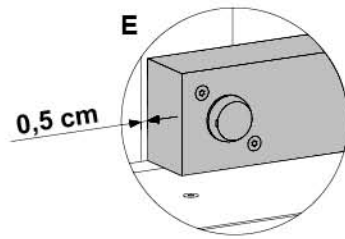
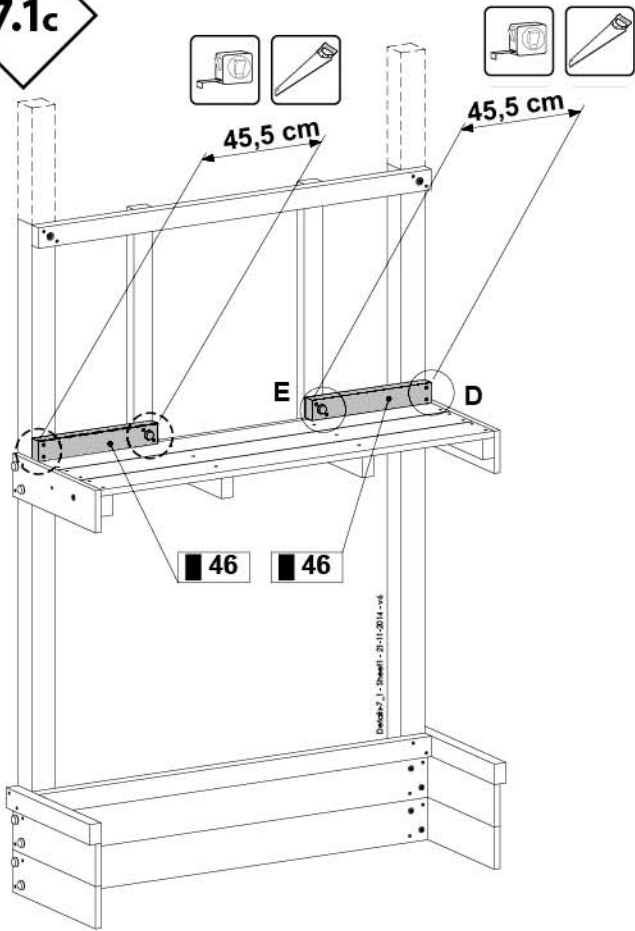


**7.1b**

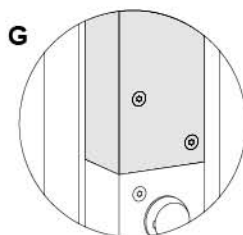
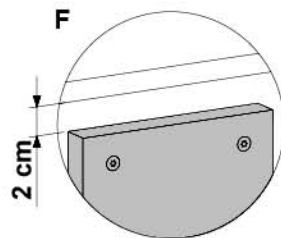
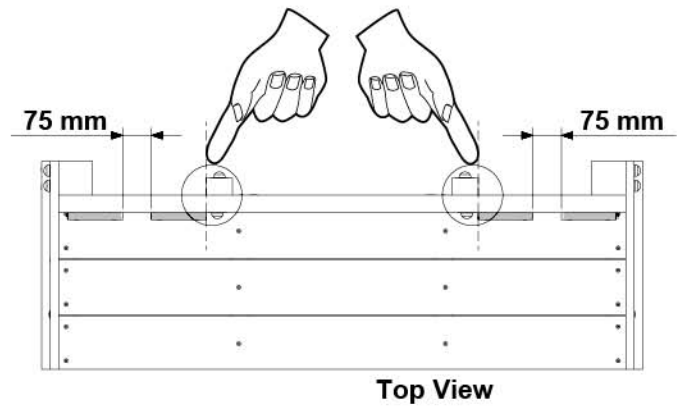
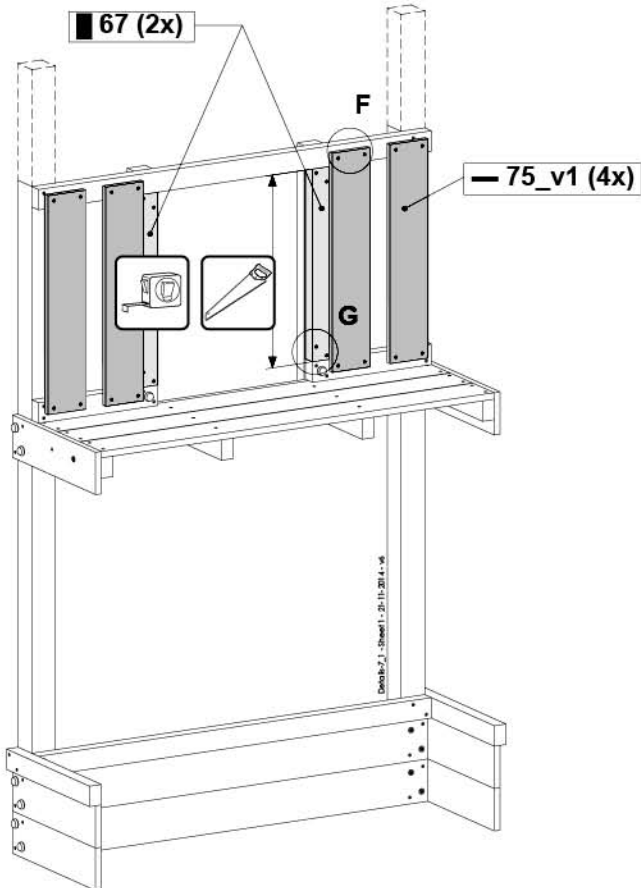




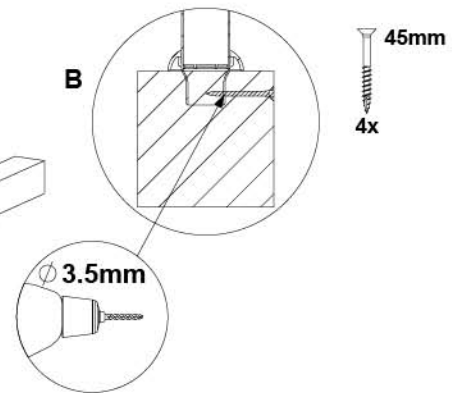
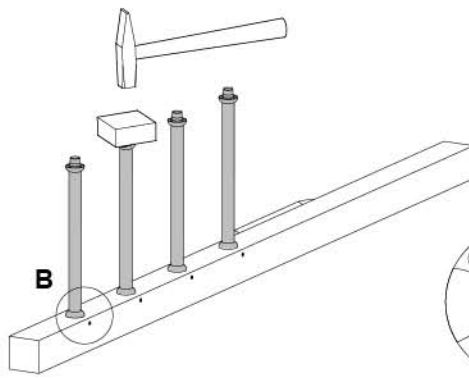
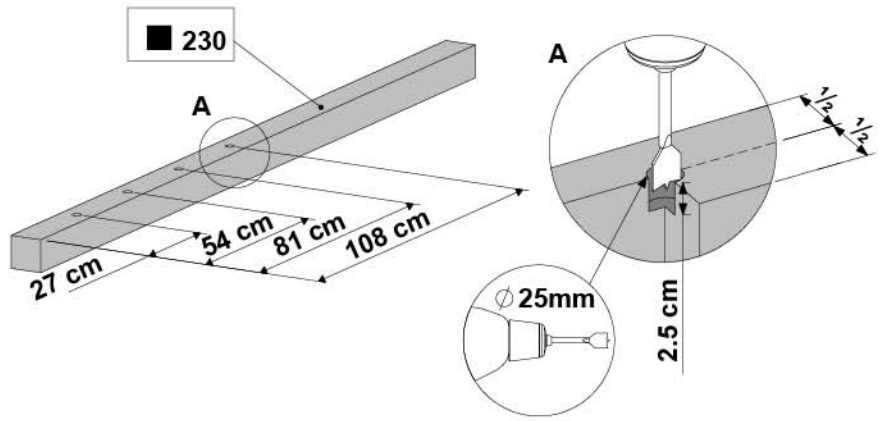
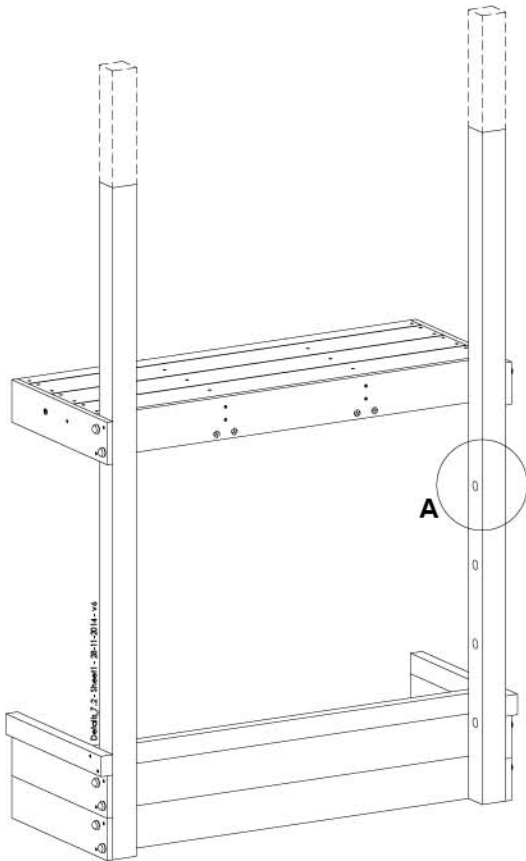
# 7.1c



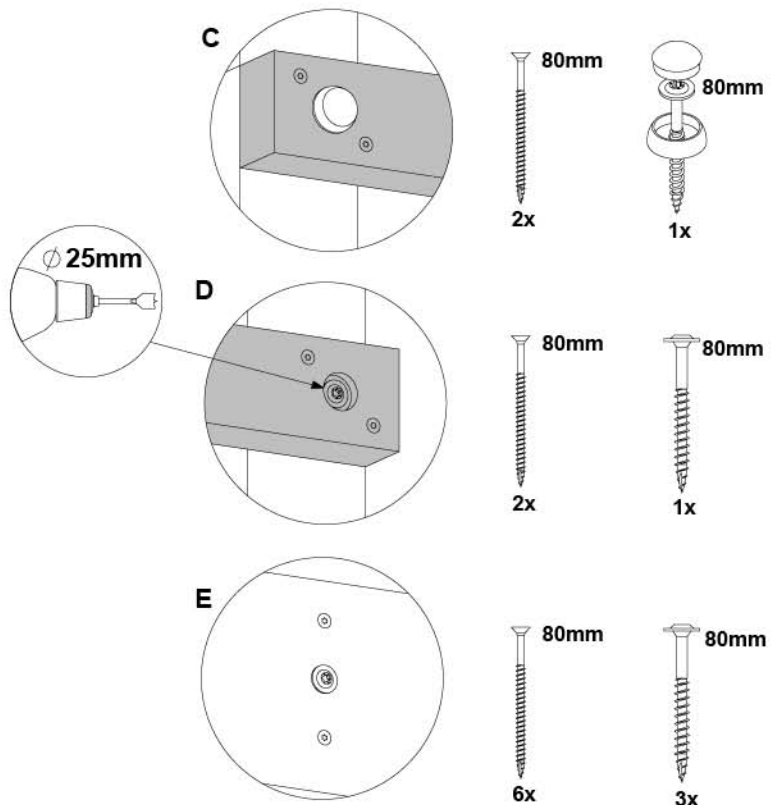
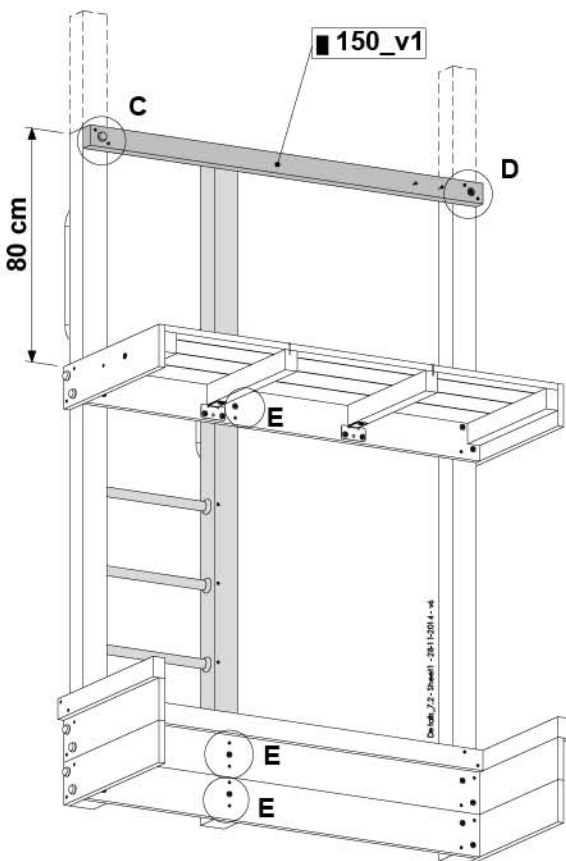
# 7.1d



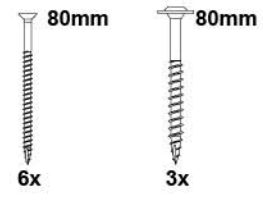
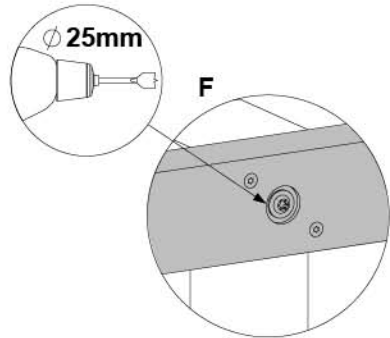
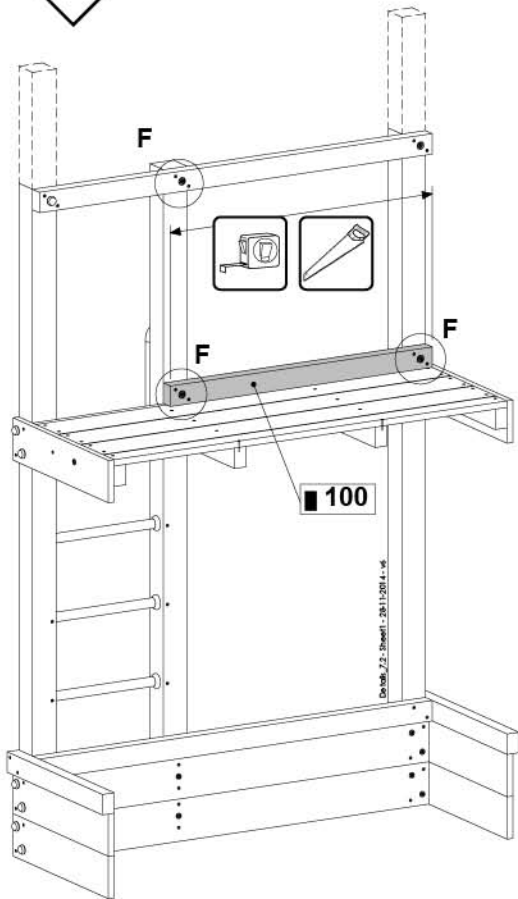
**7.2a**



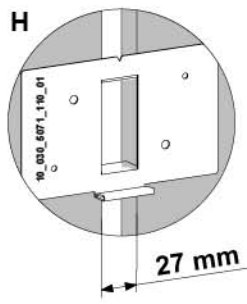
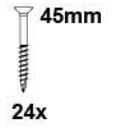
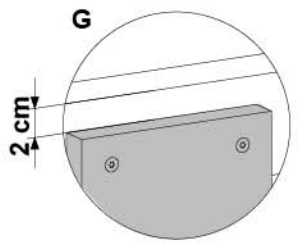
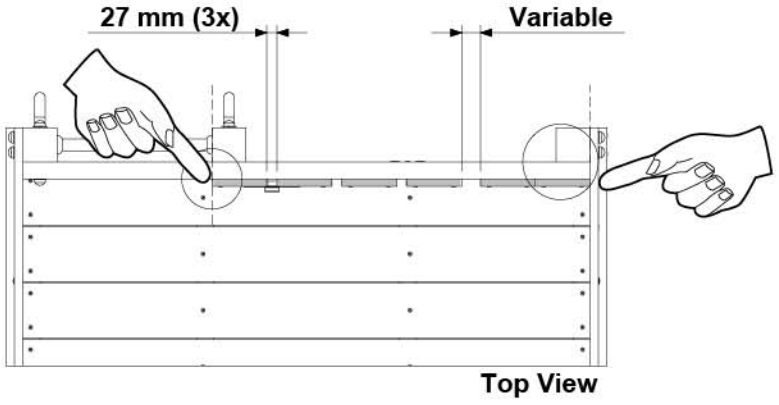
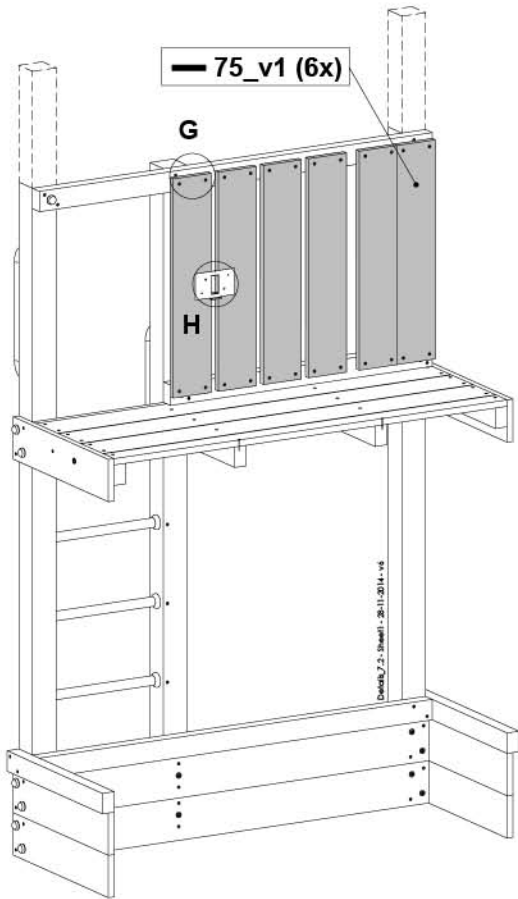
**7.2b**



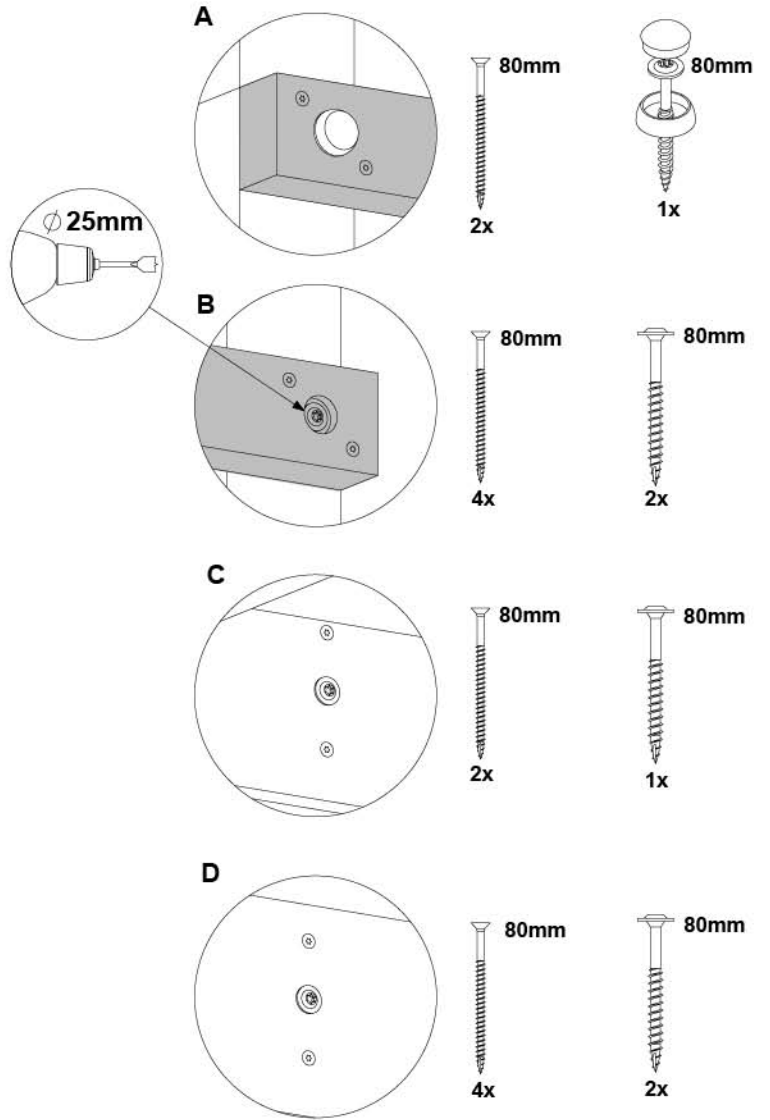
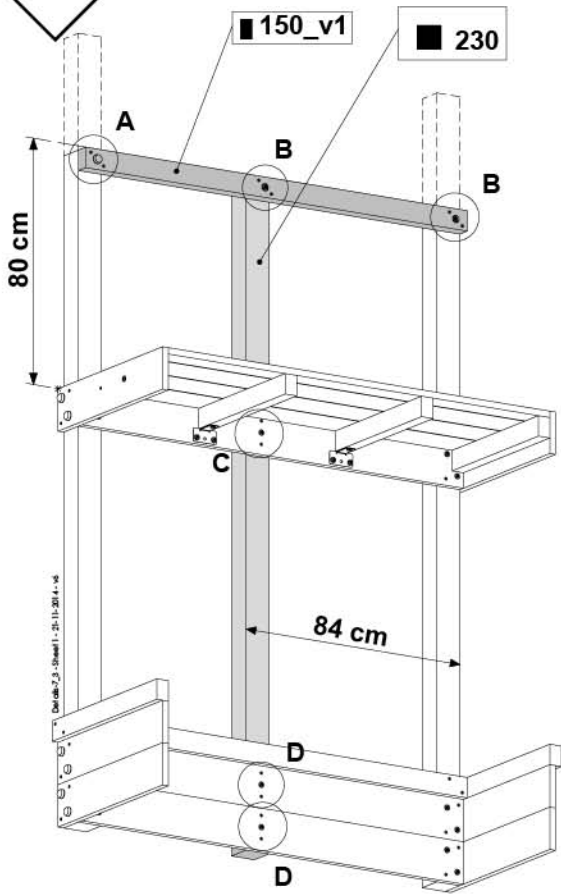
**7.2c**



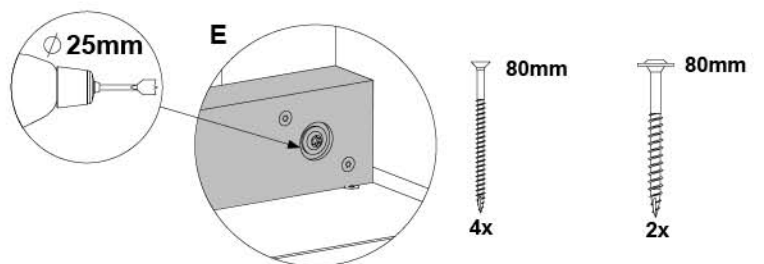
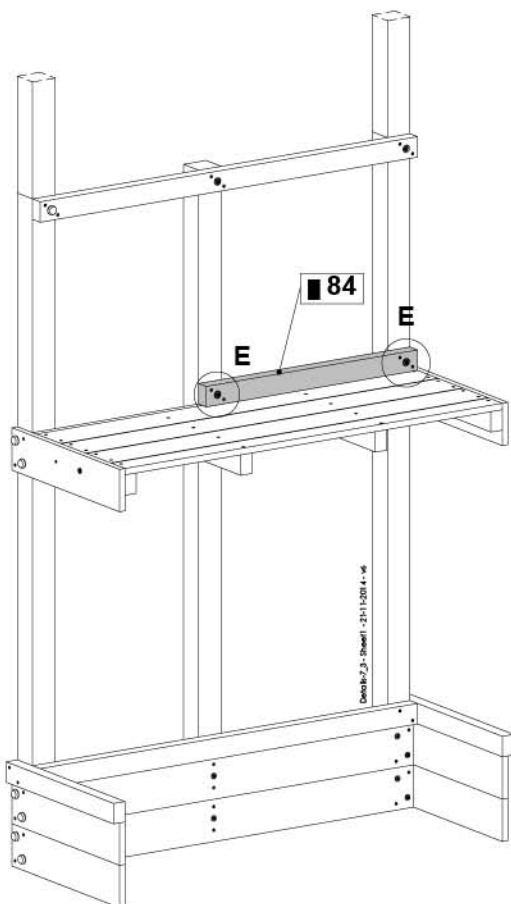
**7.2d**



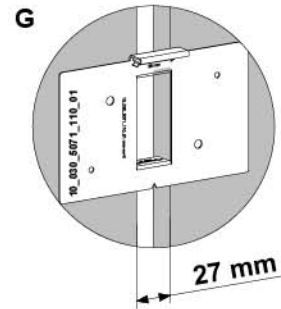
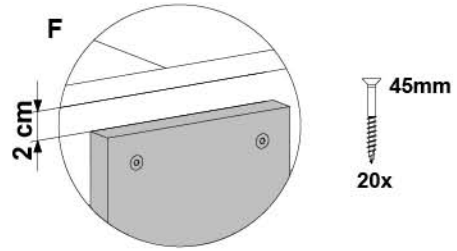
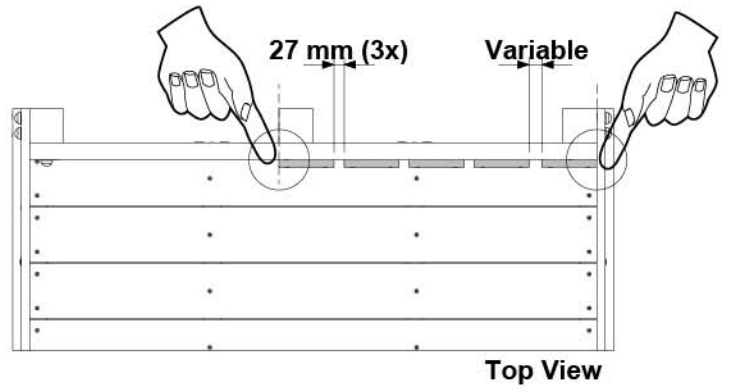
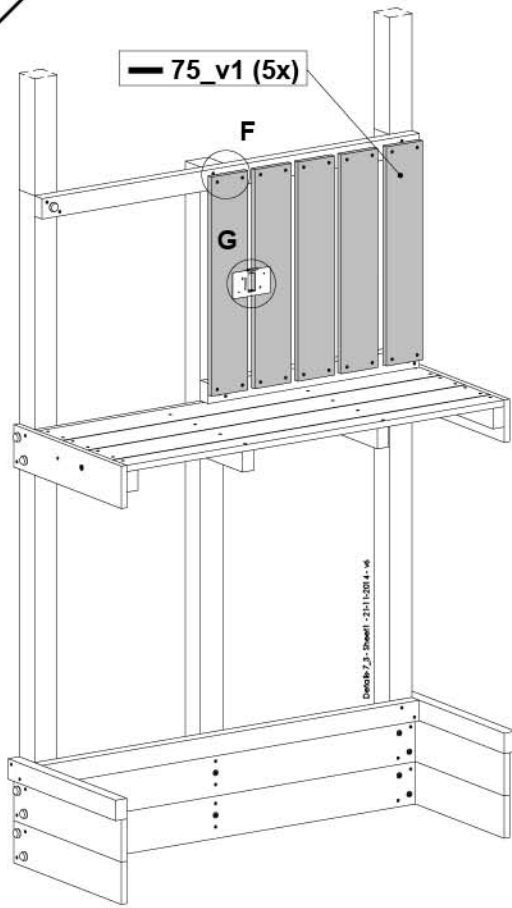
# 7.3a



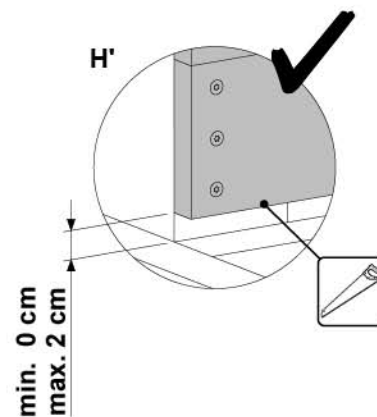
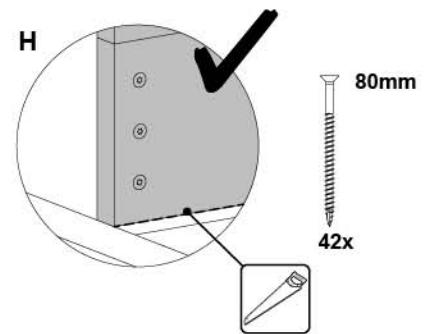
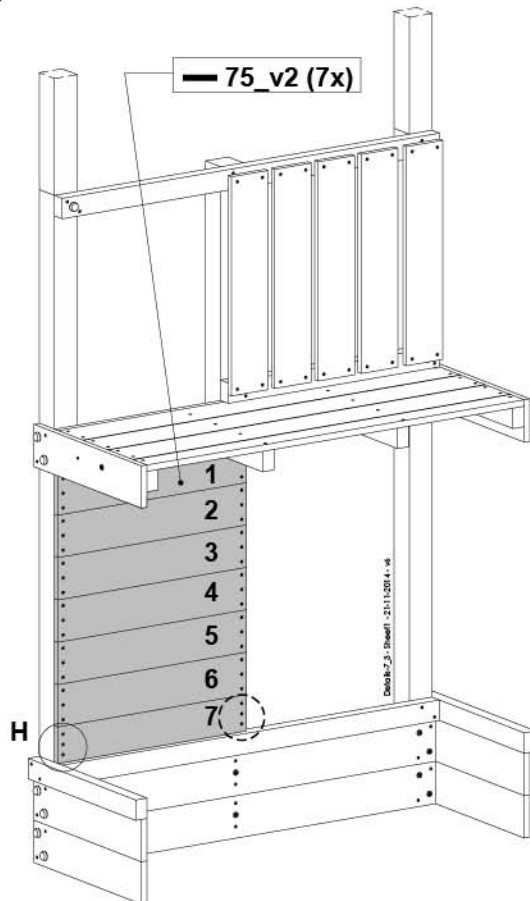
# 7.3b



**7.3c**

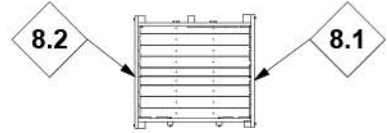
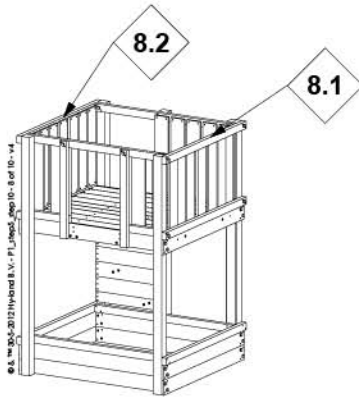


**7.3d**

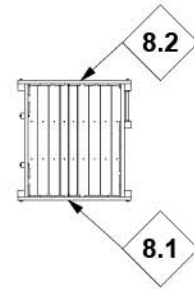
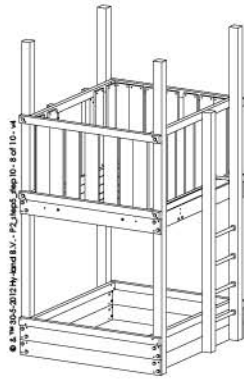


8

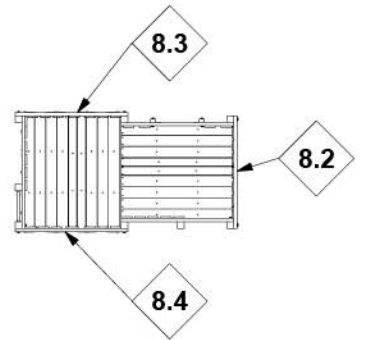
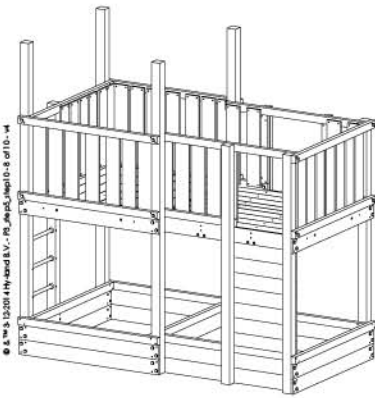
1



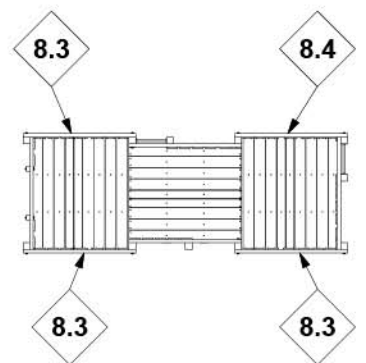
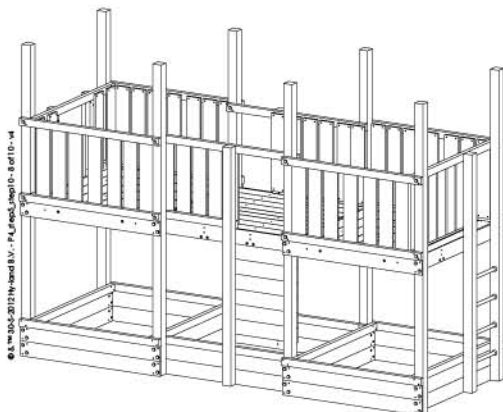
2



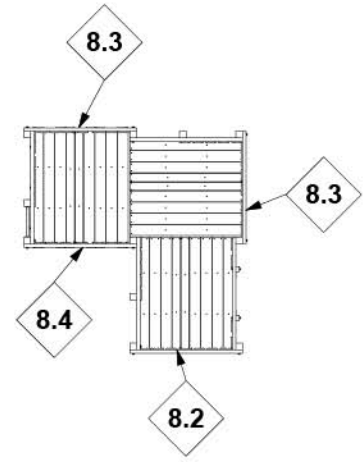
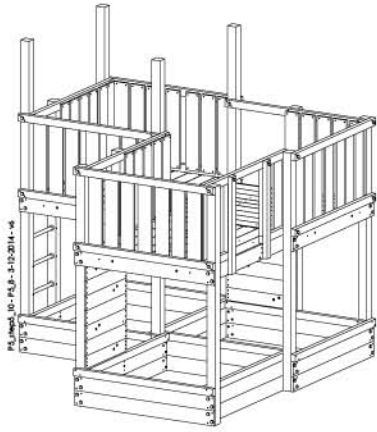
3



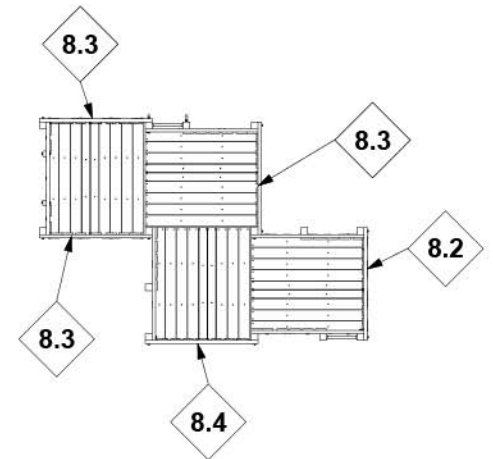
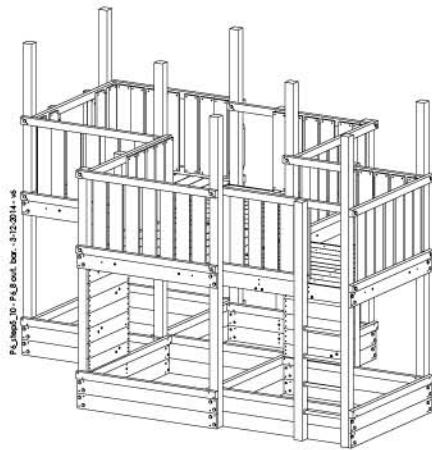
4



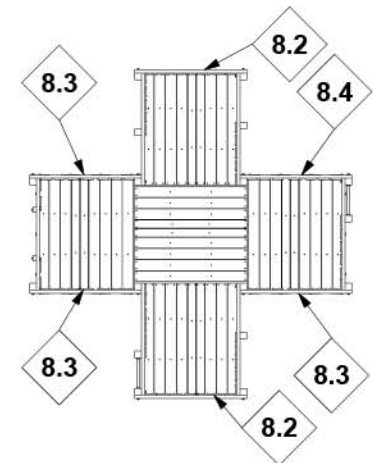
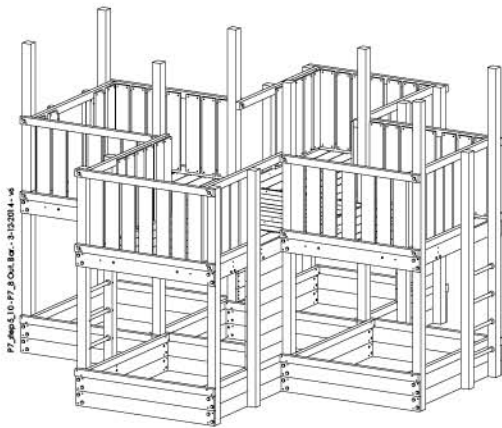
5



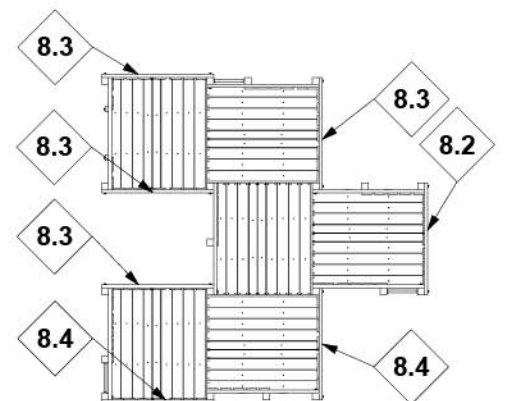
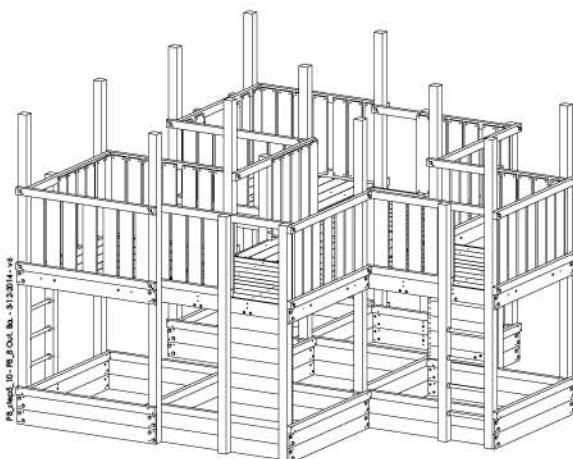
6



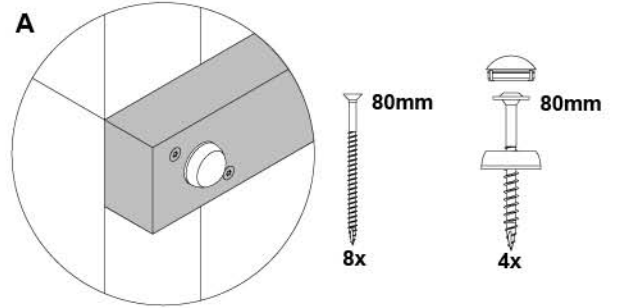
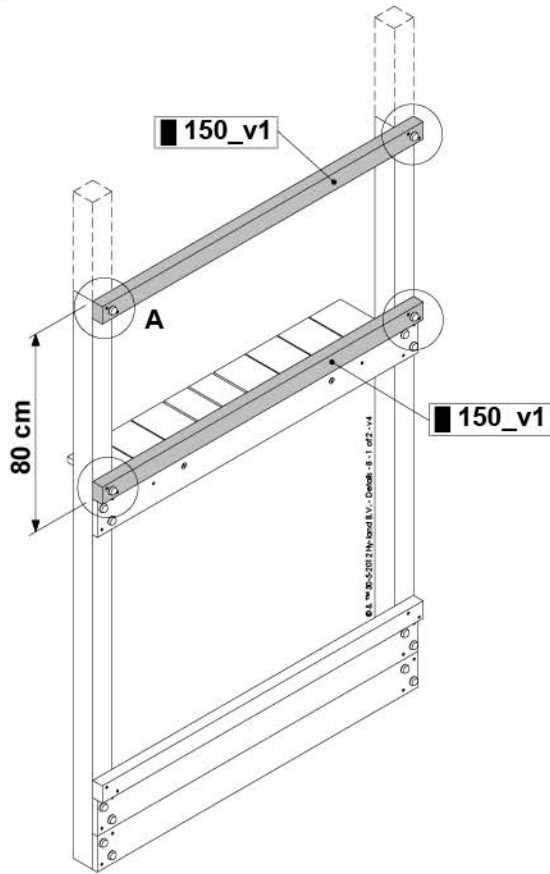
7



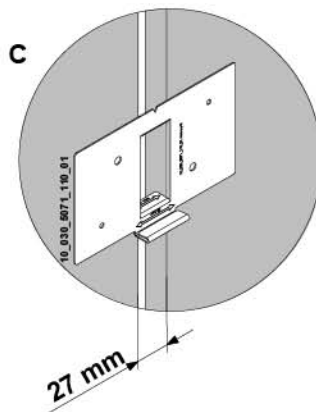
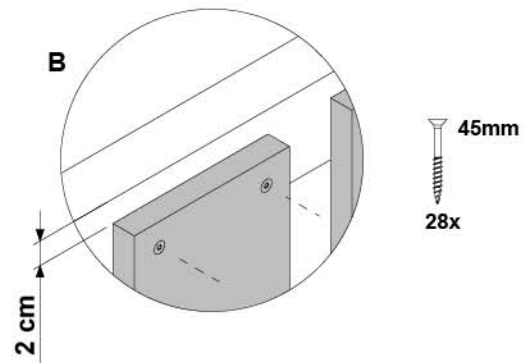
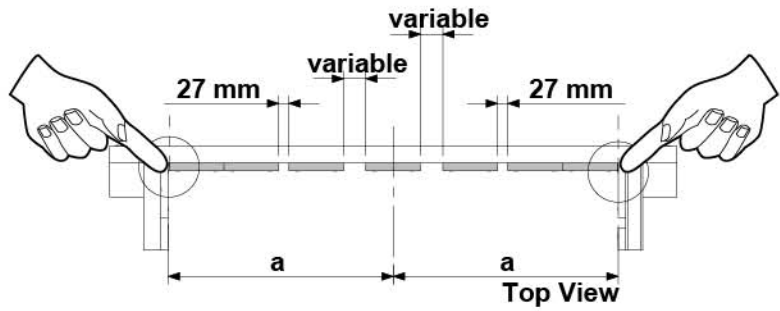
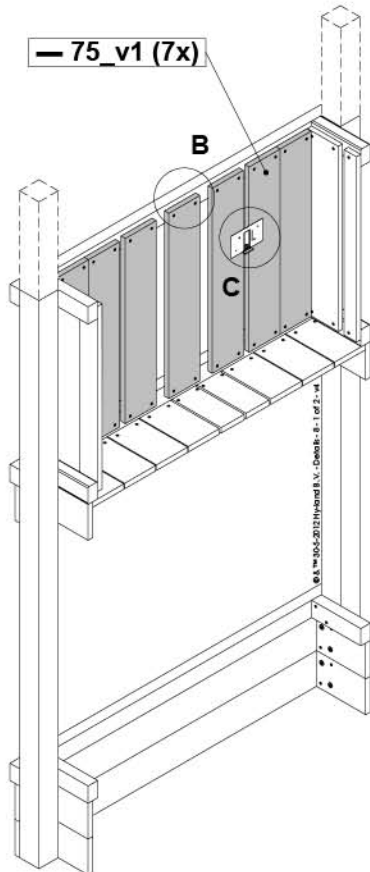
8



**8.1a**

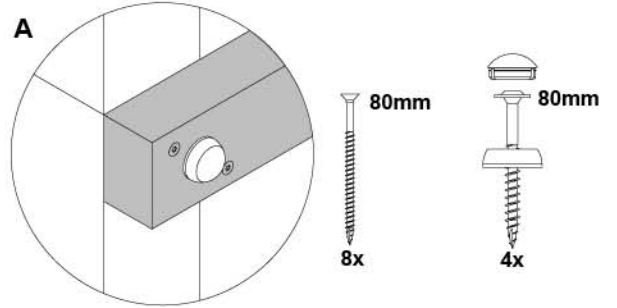
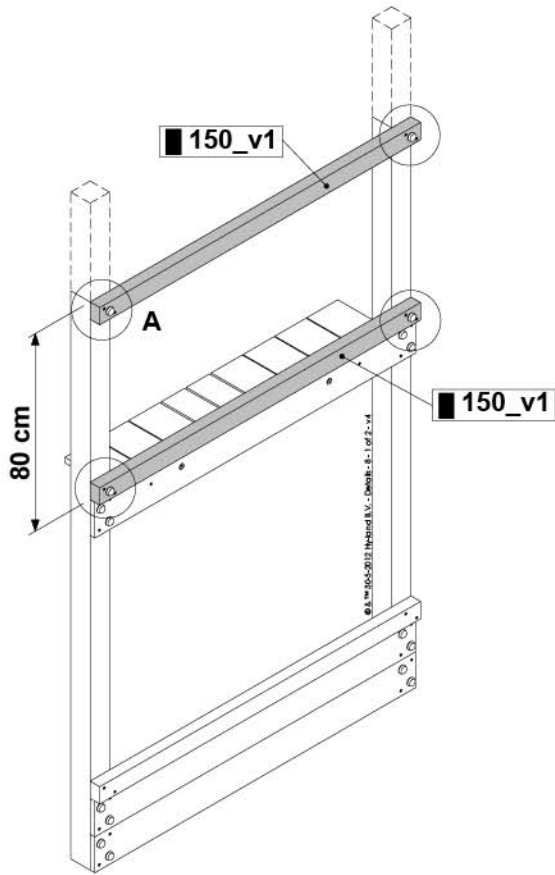


**8.1b**

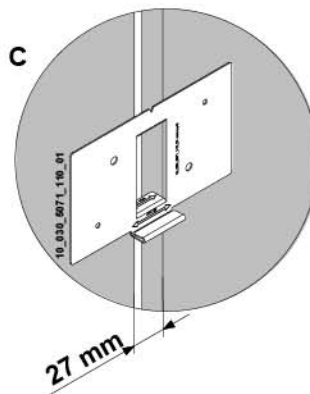
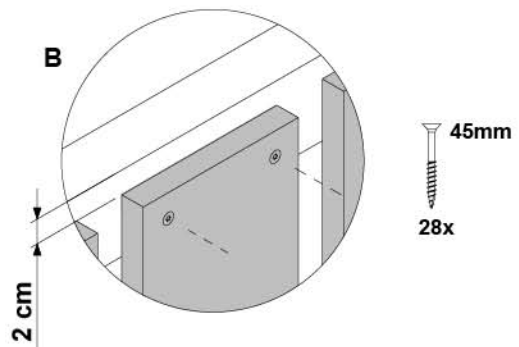
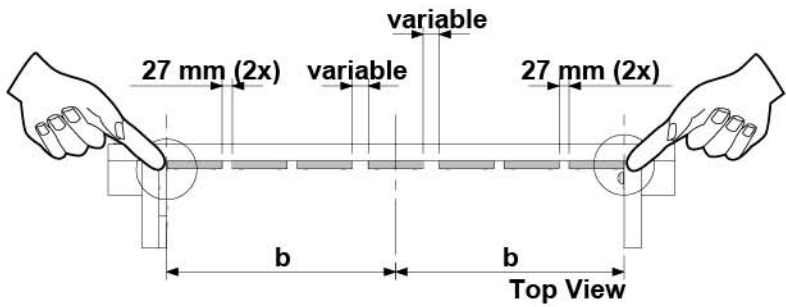
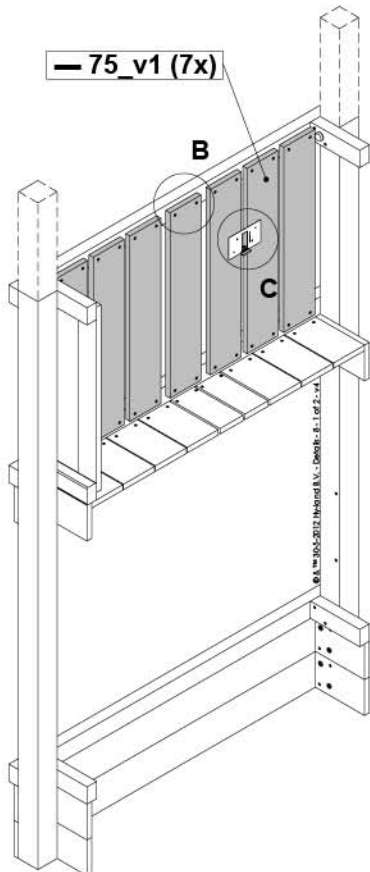




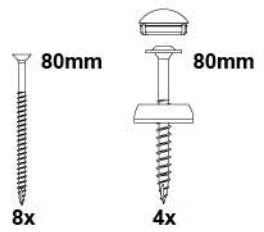
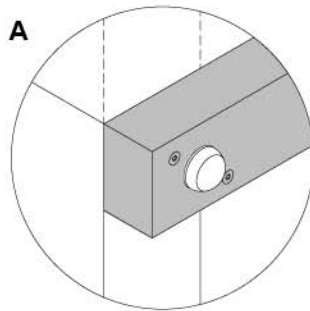
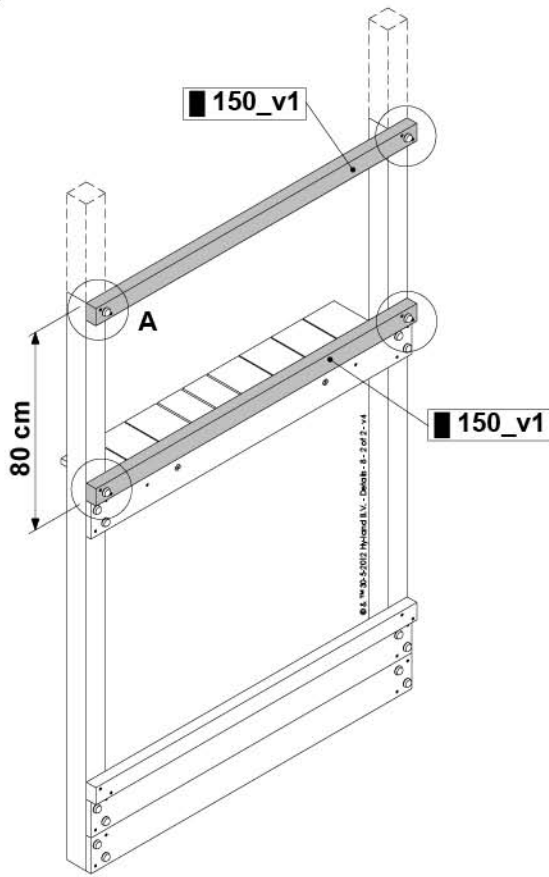
8.2a



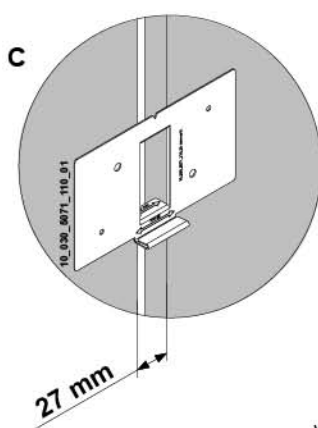
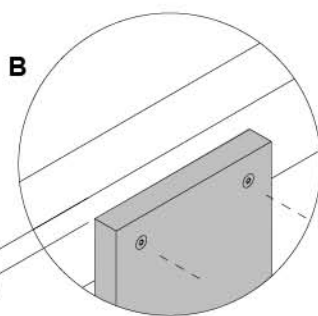
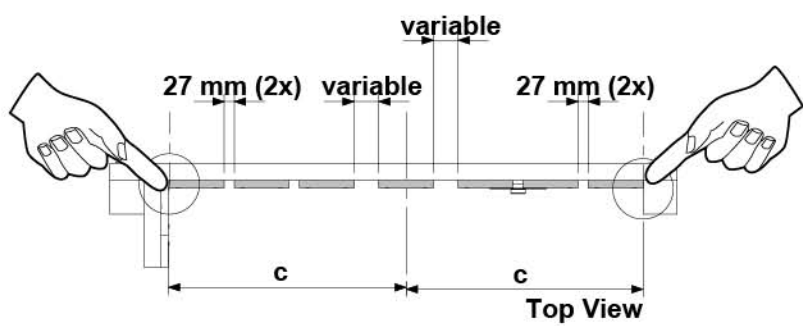
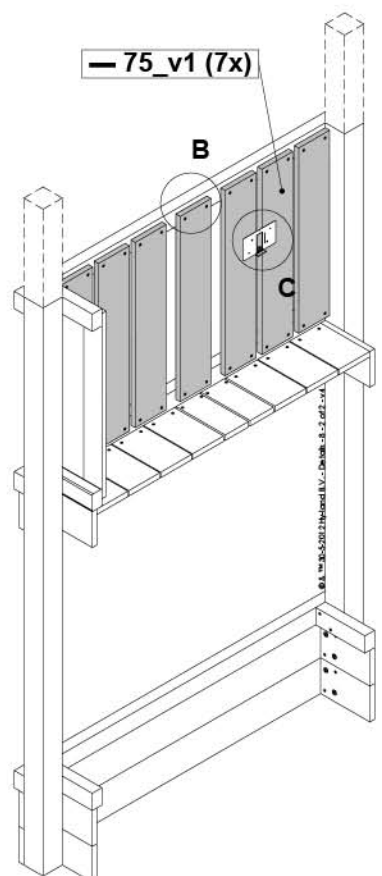
8.2b



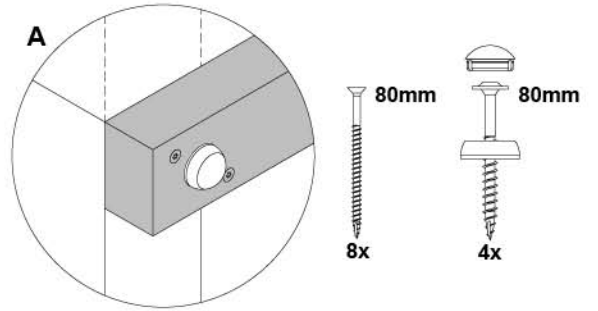
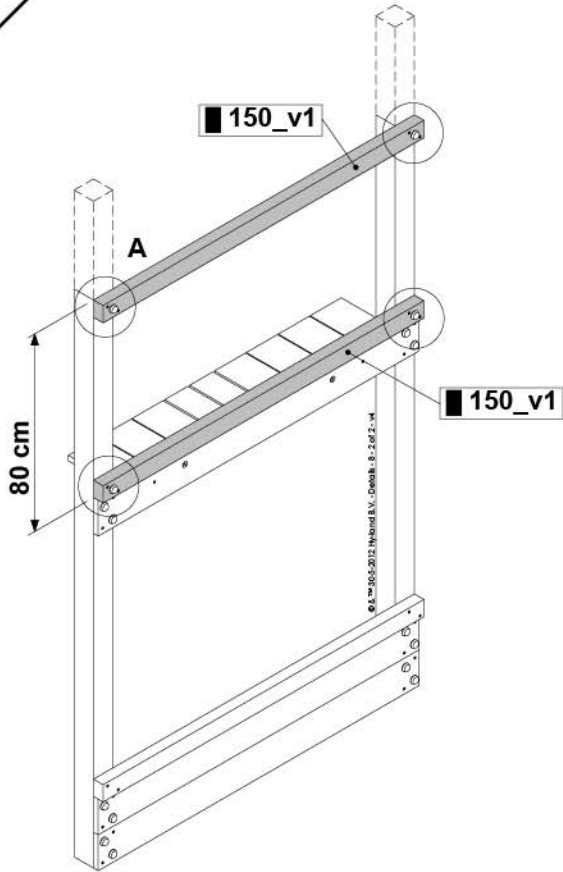
8.3a



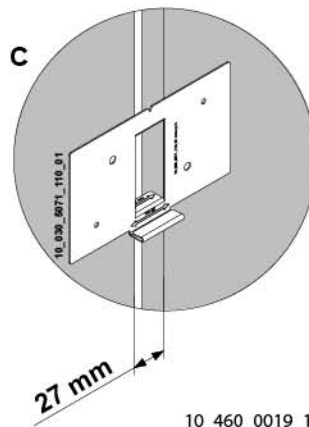
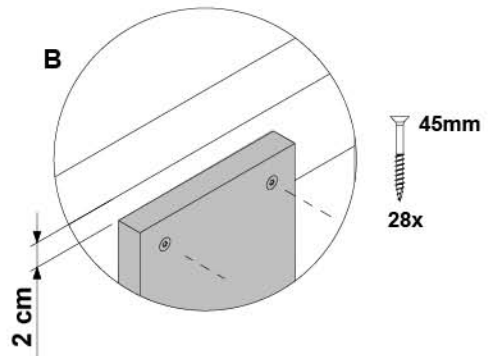
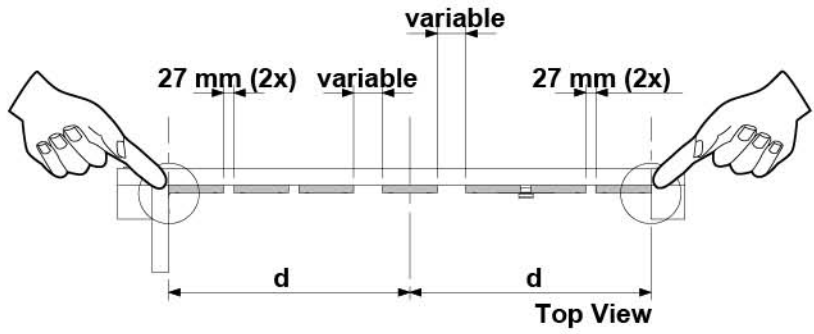
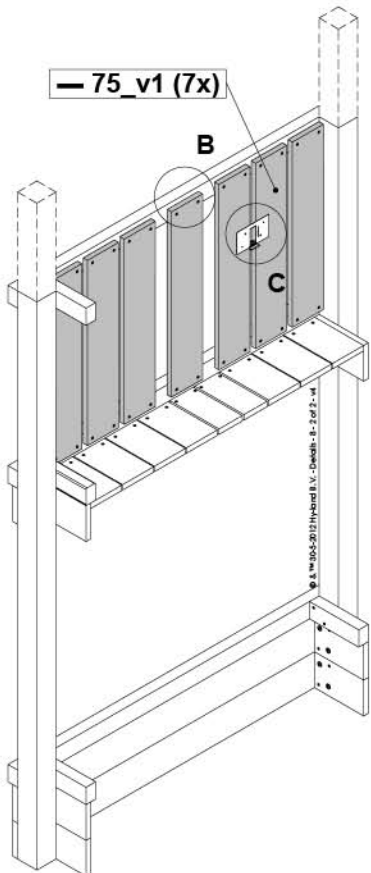
8.3b



**8.4a**

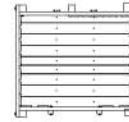


**8.4b**

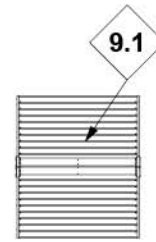
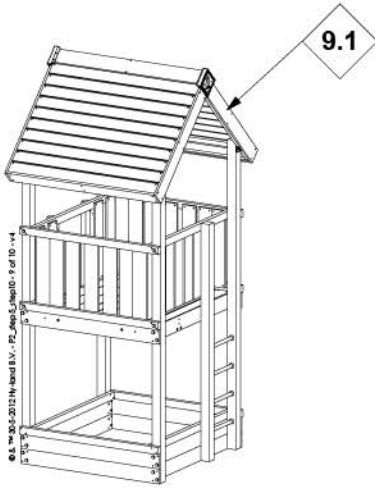


9

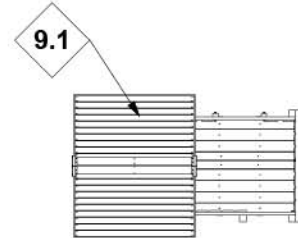
1



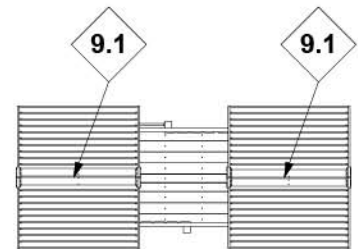
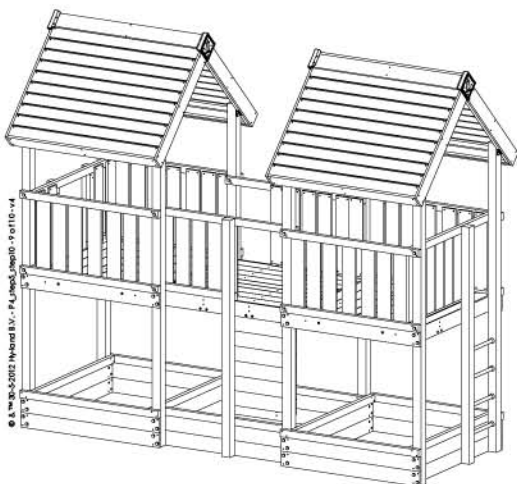
2



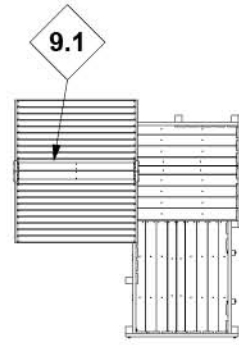
3



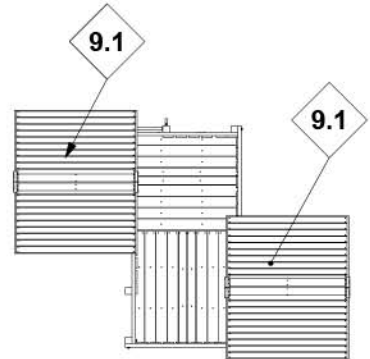
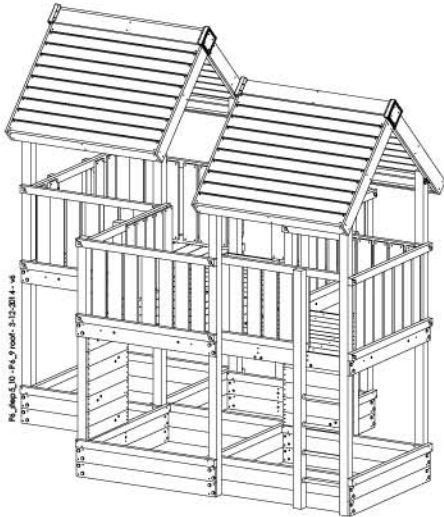
4



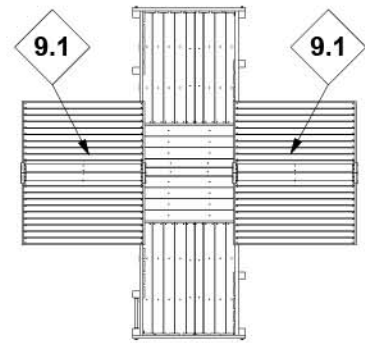
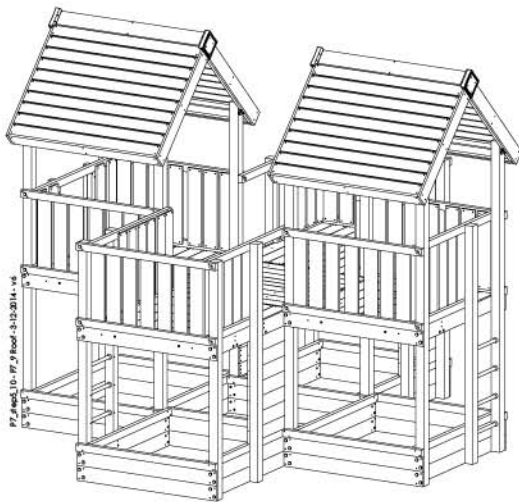
5



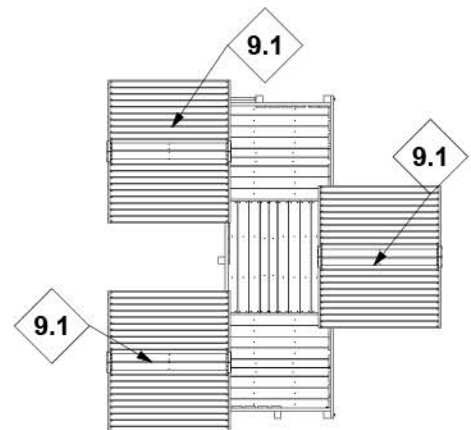
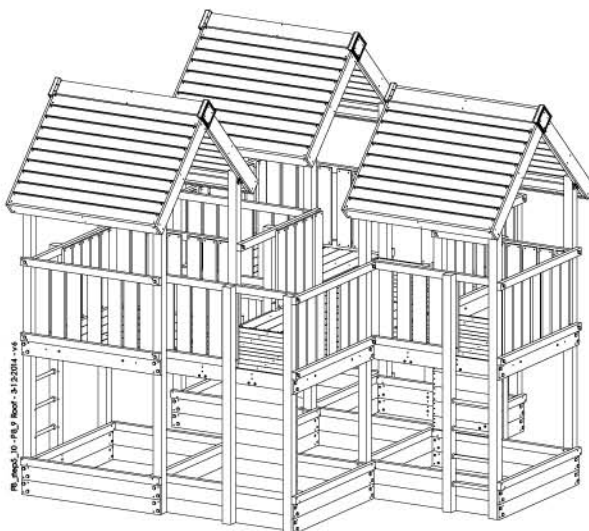
6



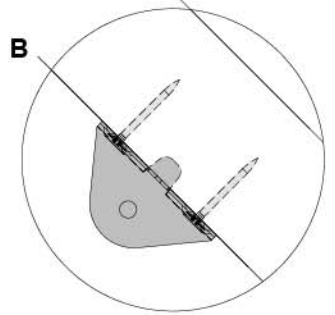
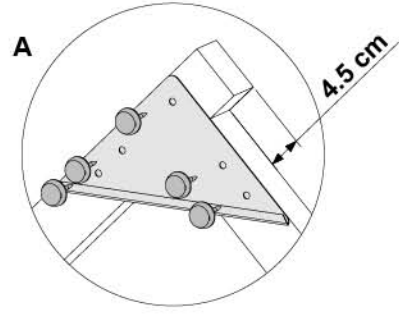
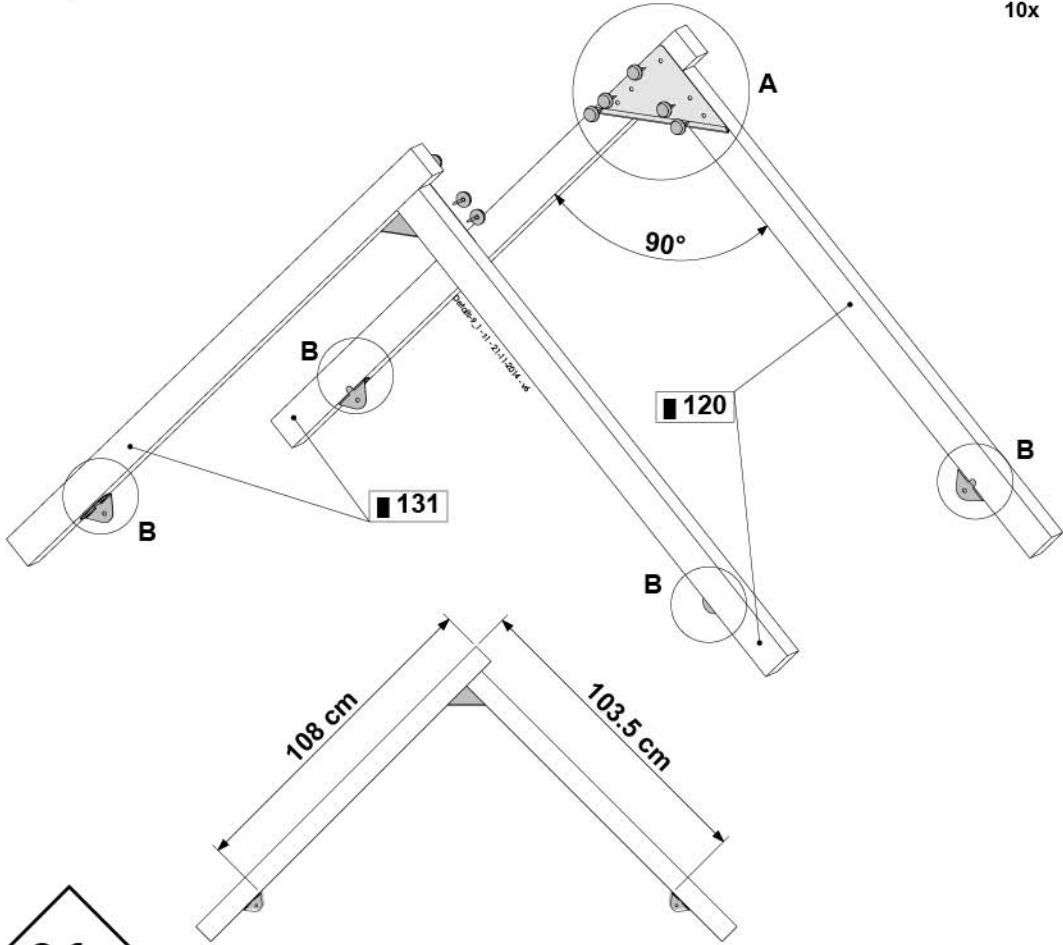
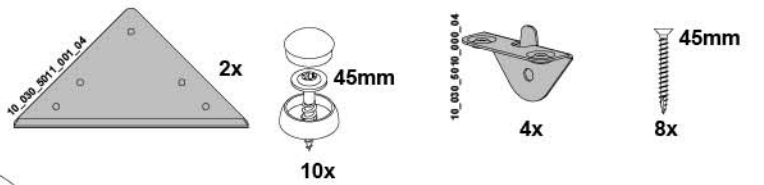
7



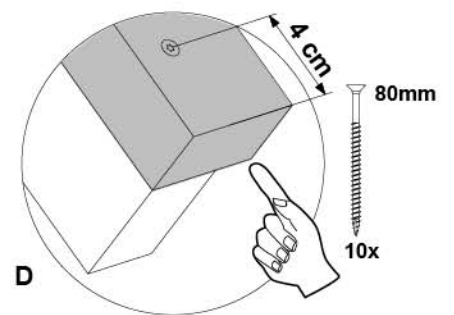
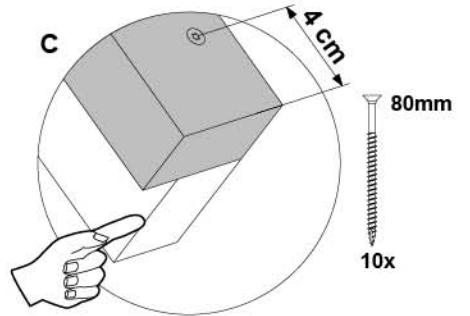
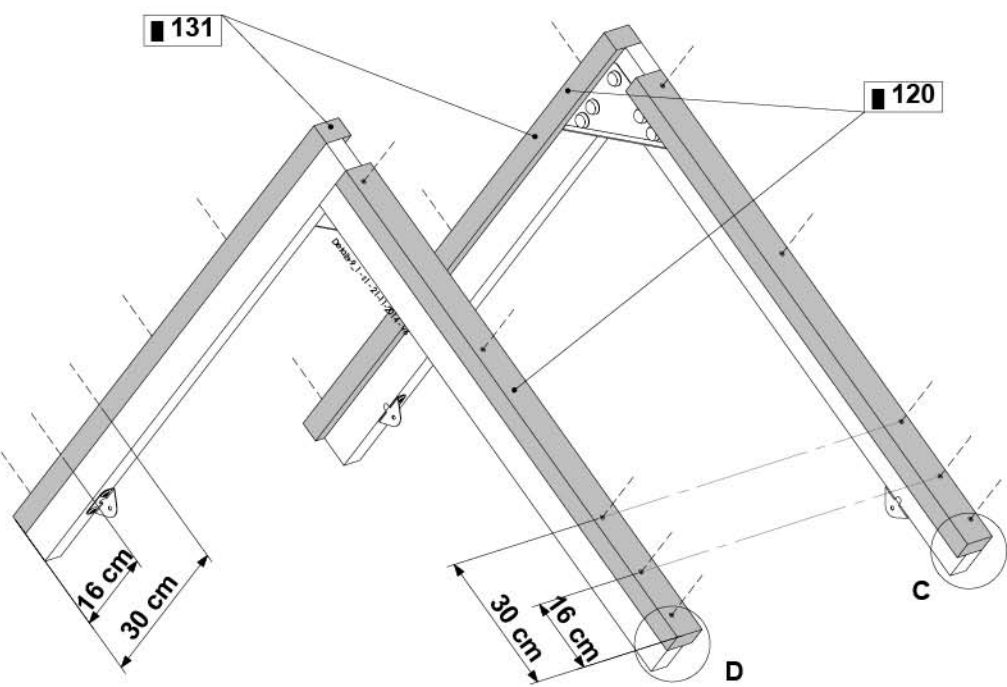
8



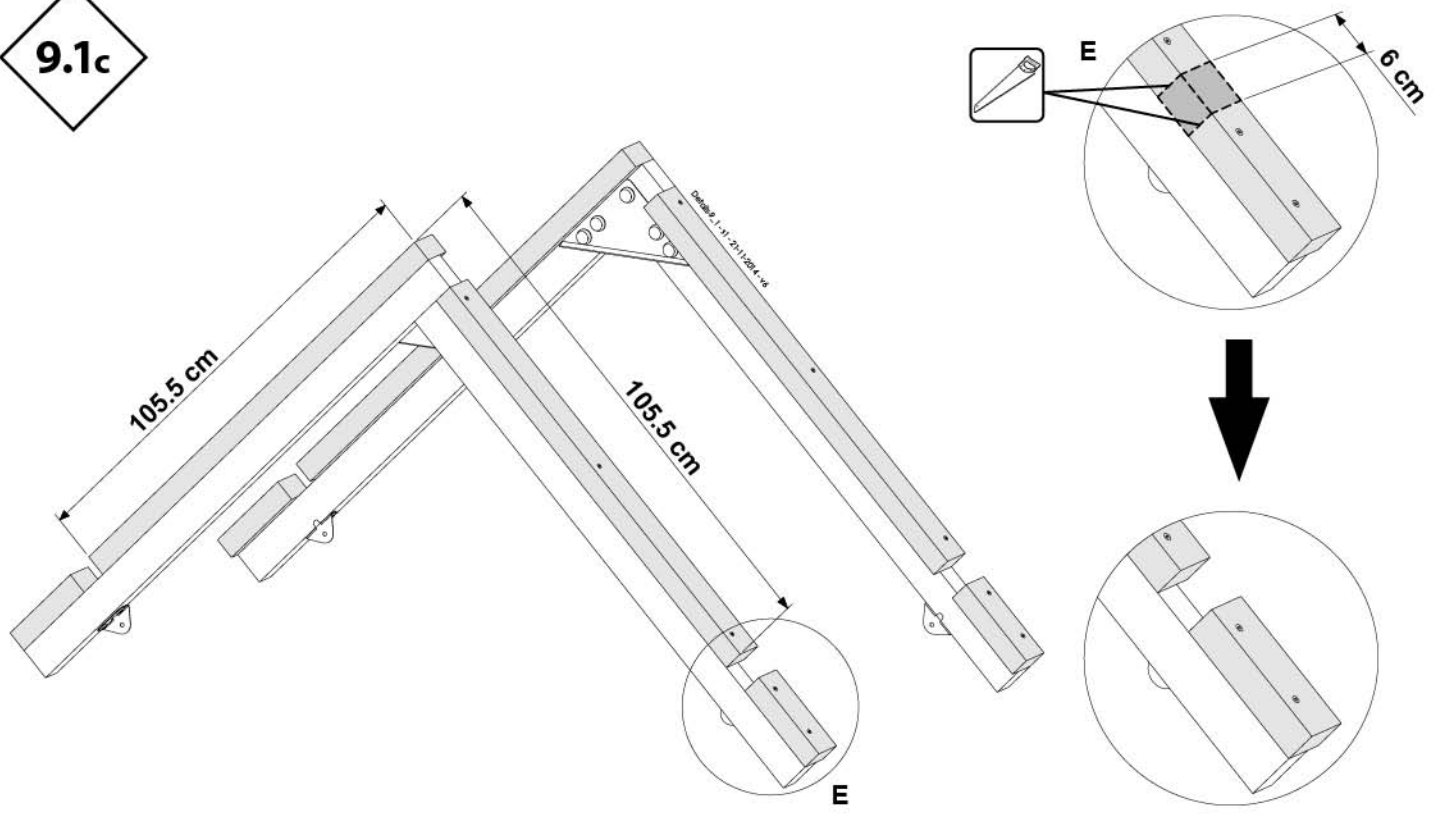
**9.1a**



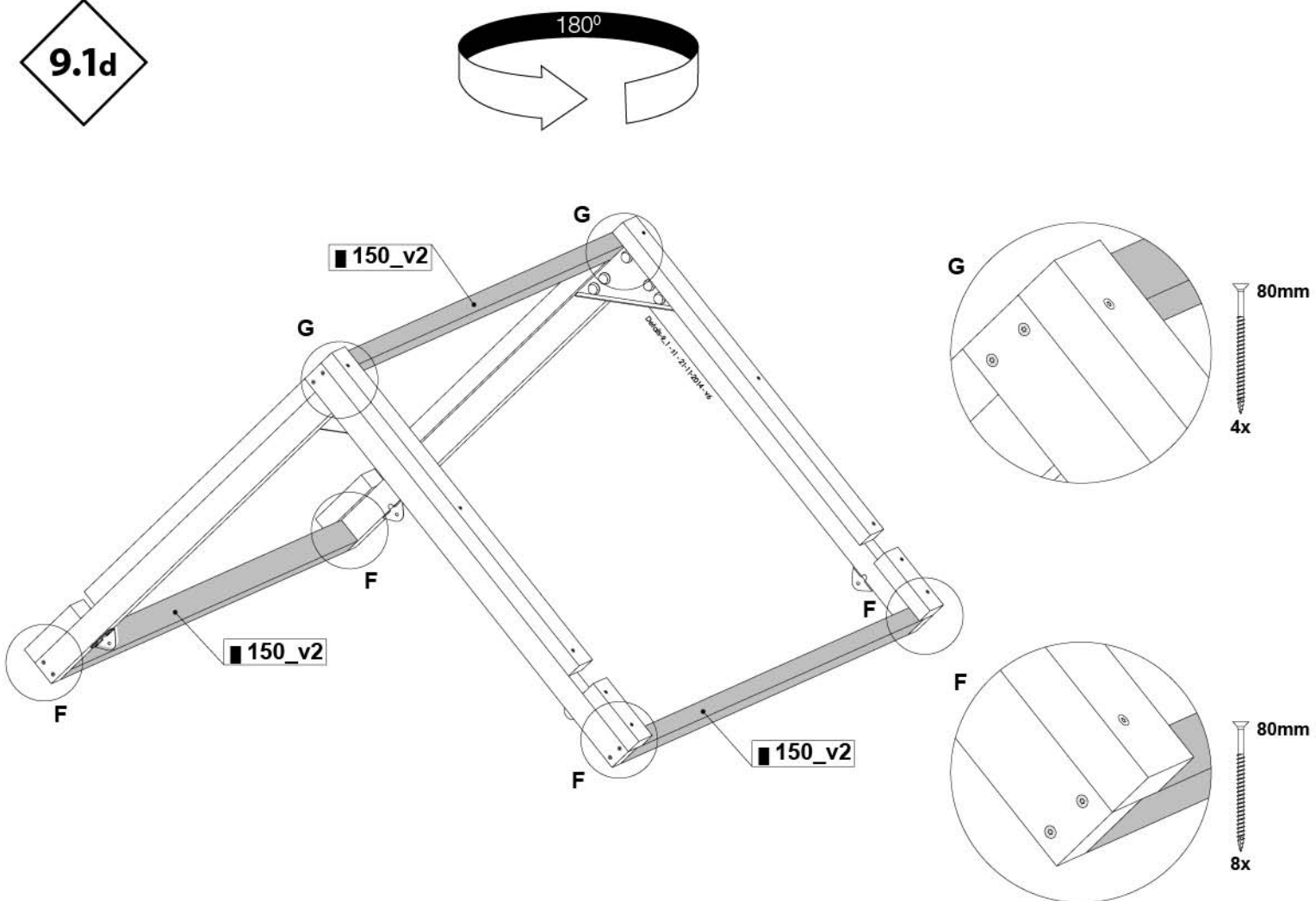
**9.1b**



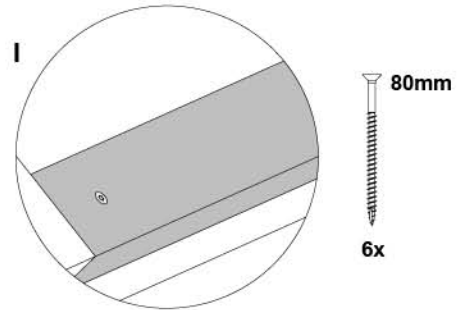
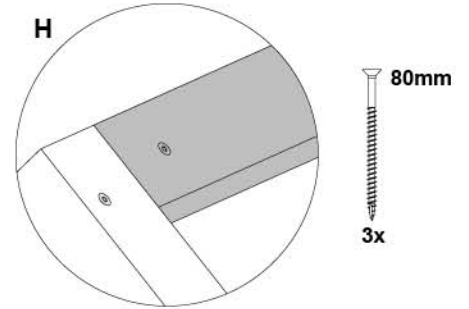
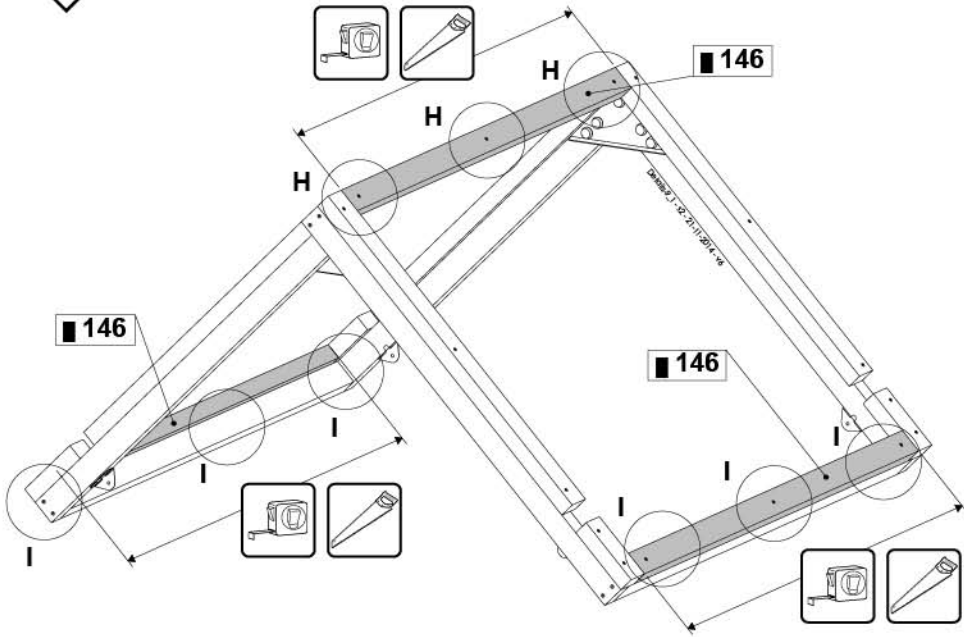
9.1c



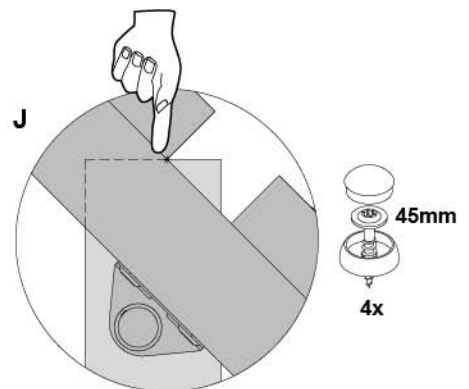
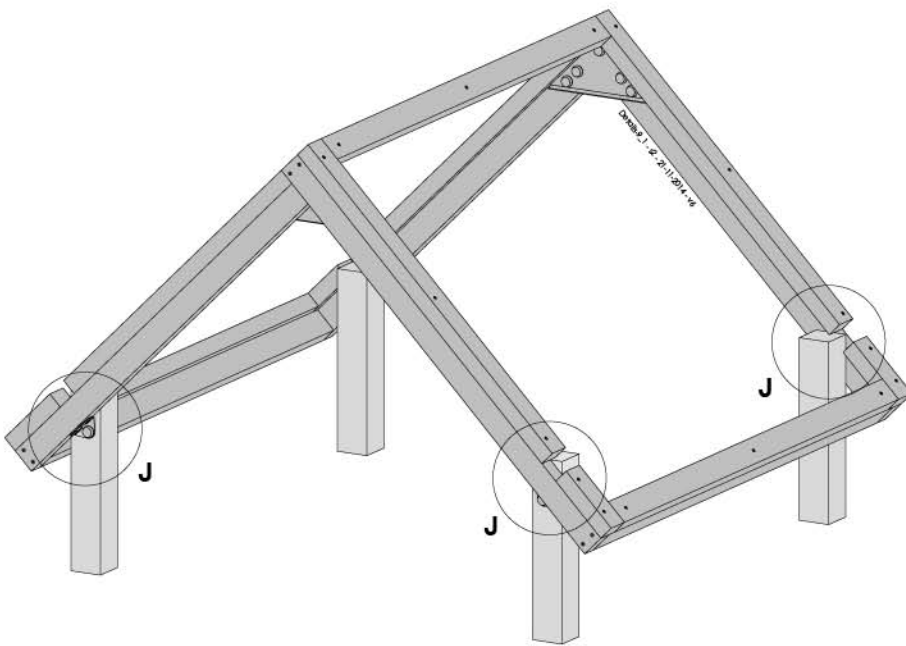
9.1d



**9.1e**

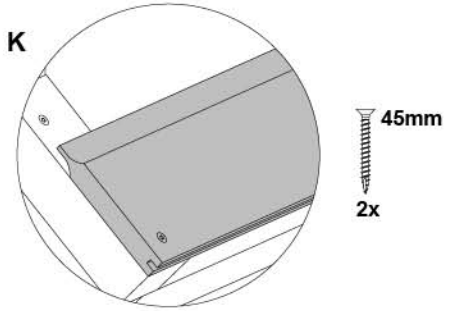
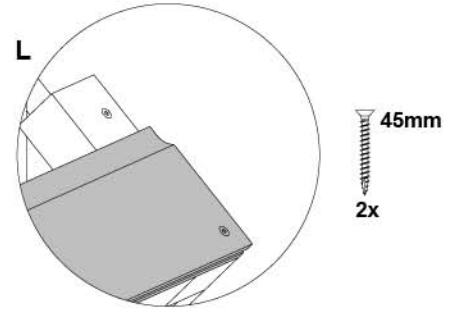
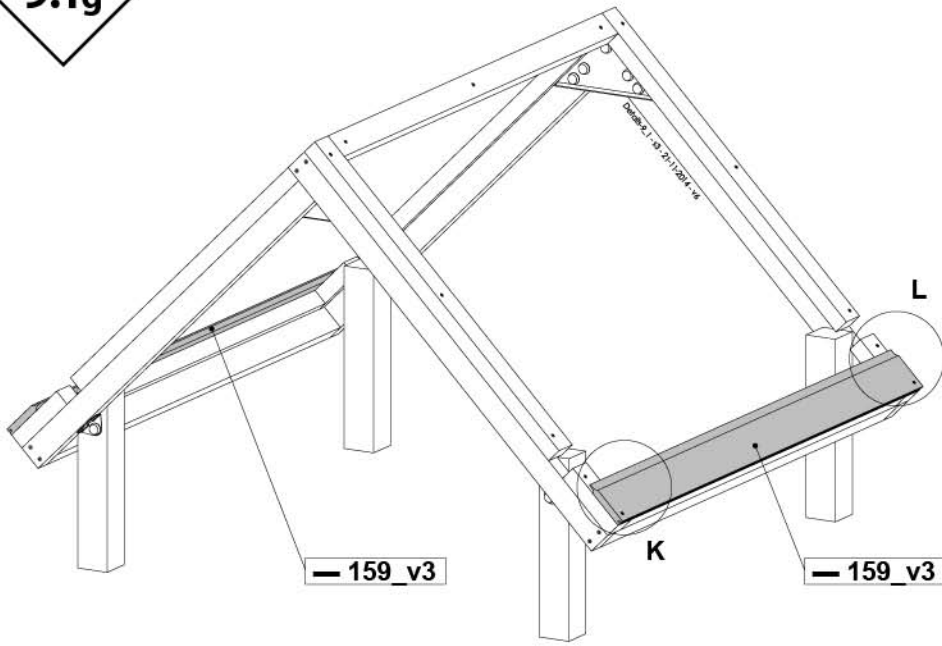


**9.1f**

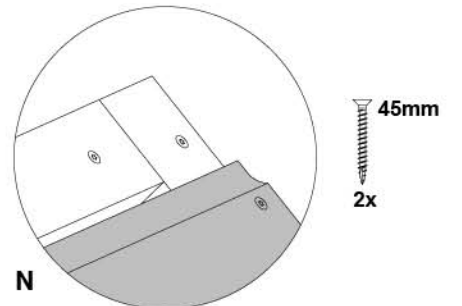
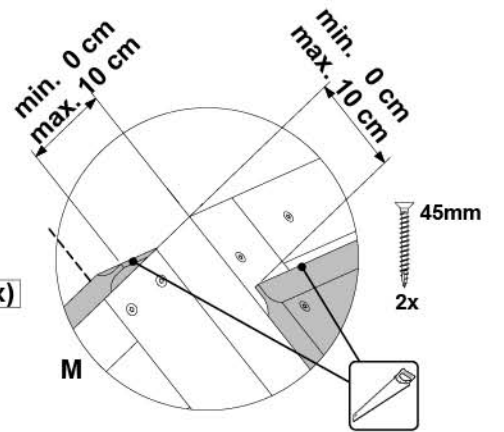
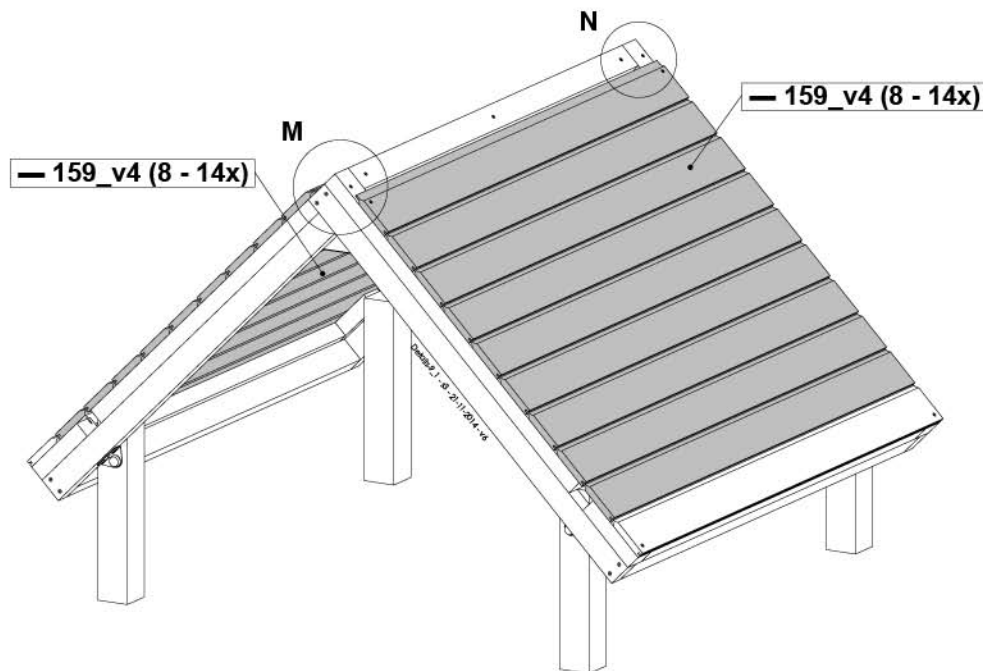




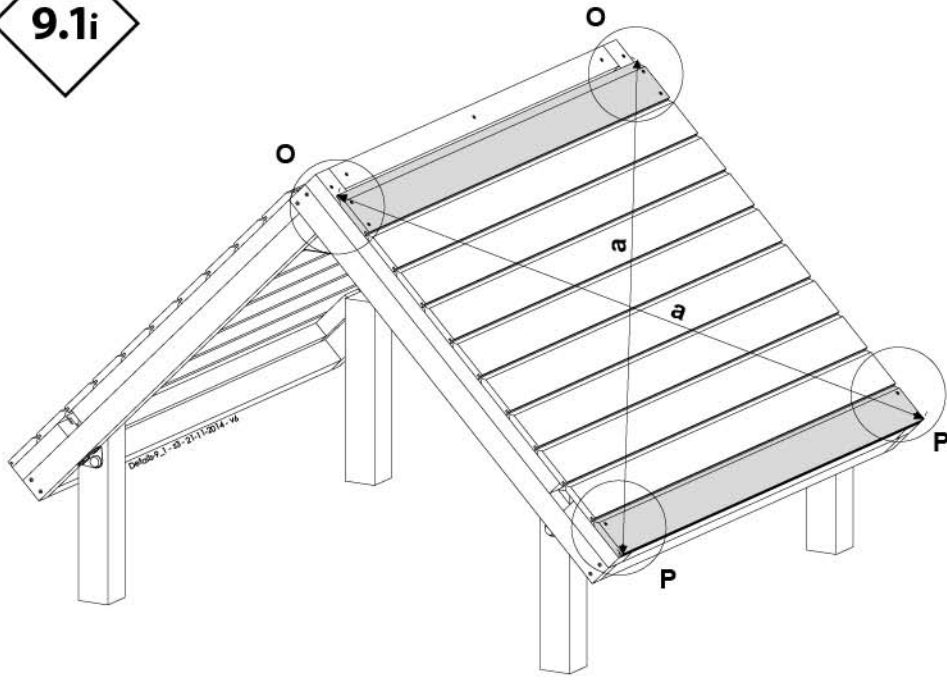
**9.1g**



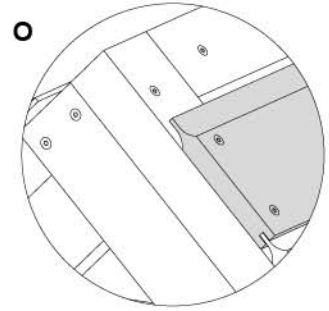
**9.1h**



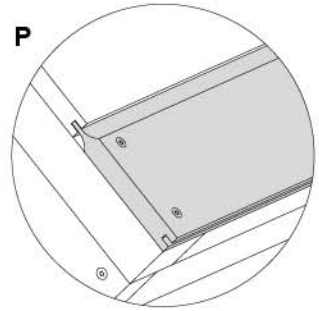
9.1i



a = a

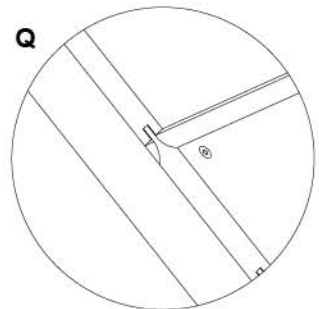
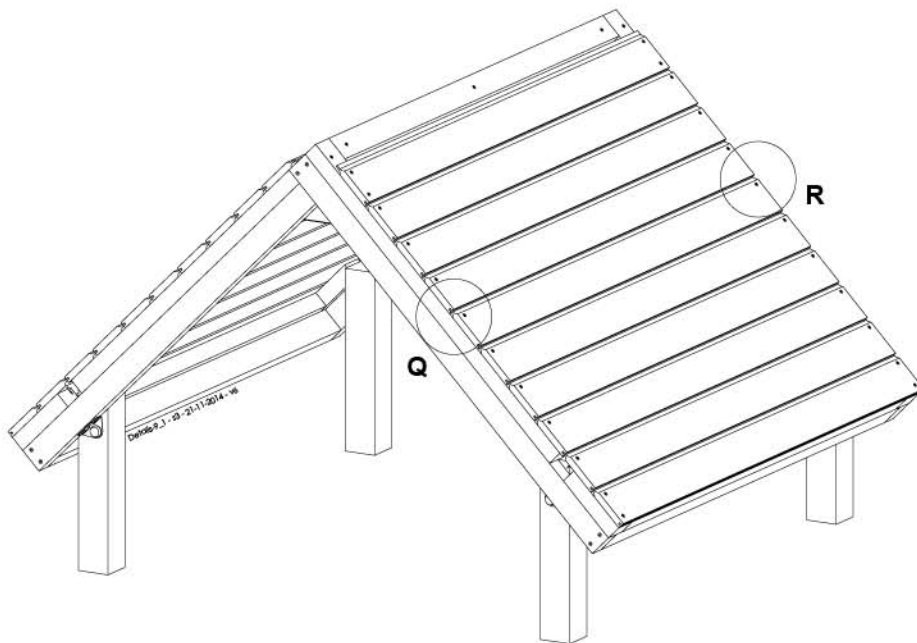


45mm  
4x

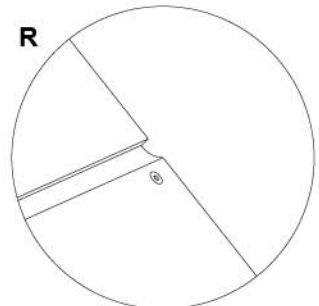


45mm  
4x

9.1j

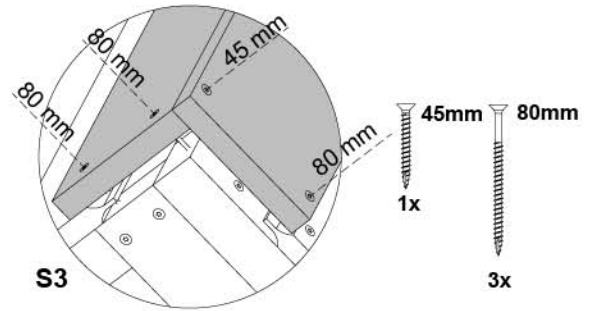
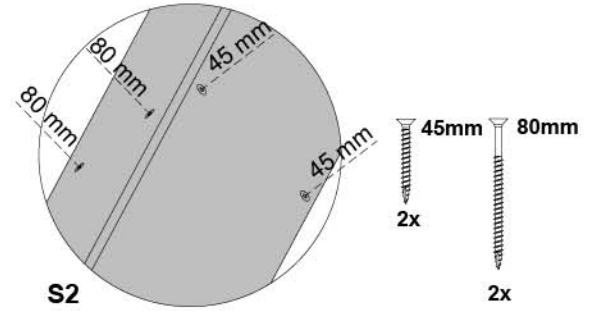
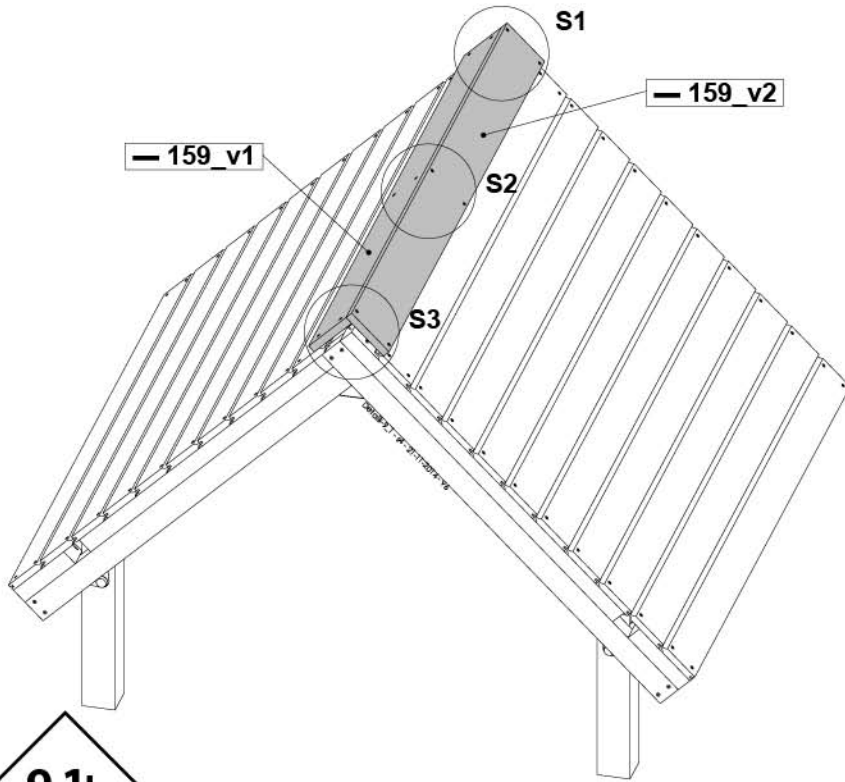
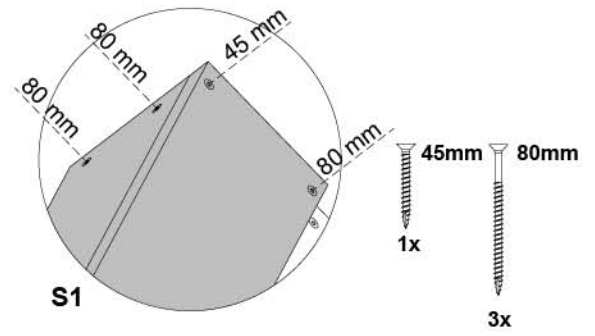
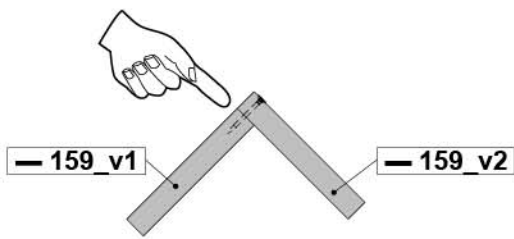


45mm  
14 - 26 x

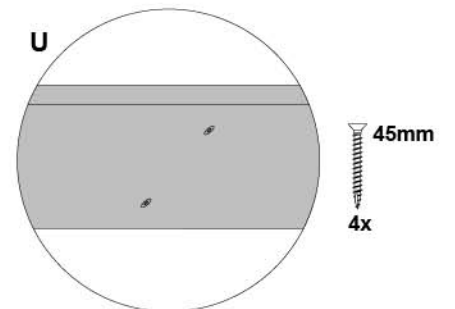
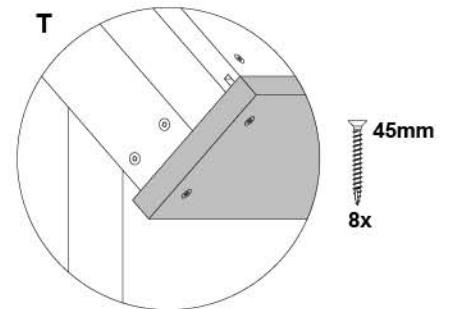
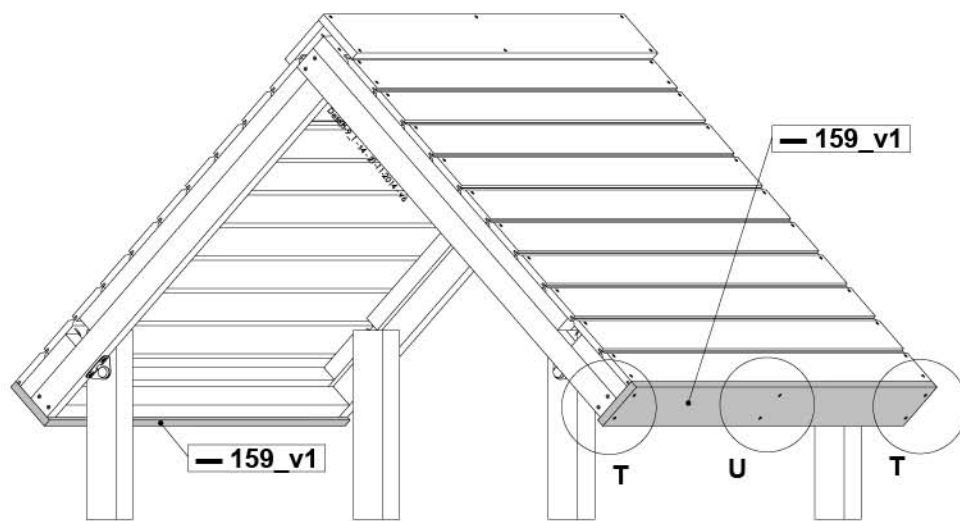


45mm  
14 - 26 x

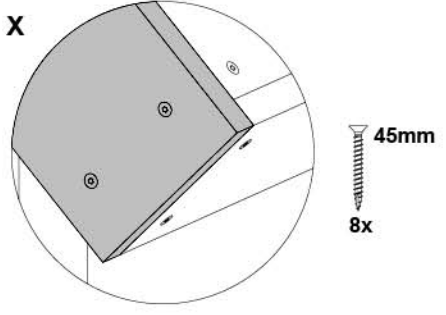
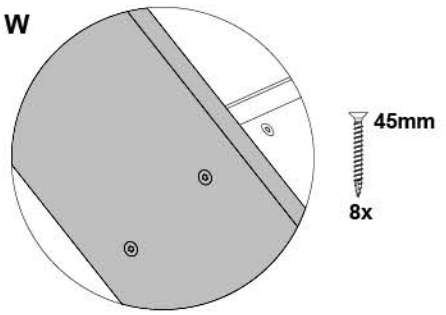
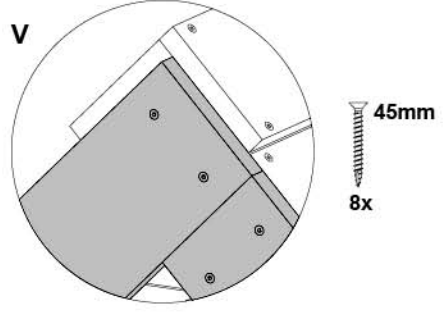
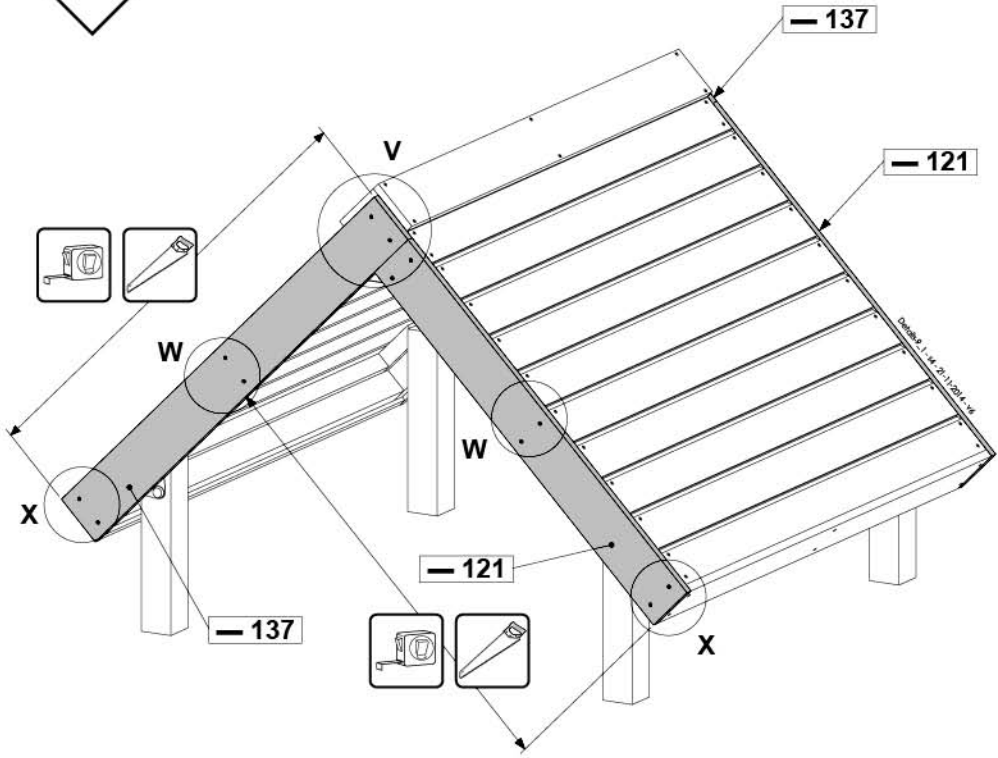
**9.1k**



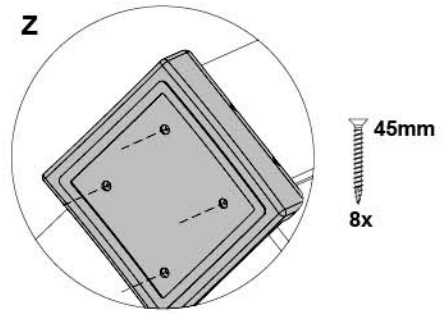
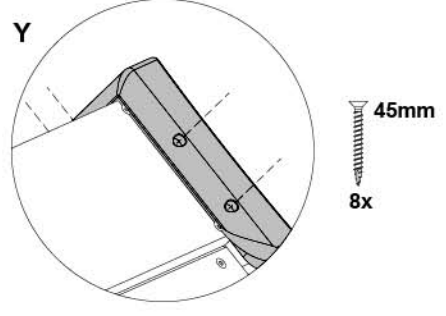
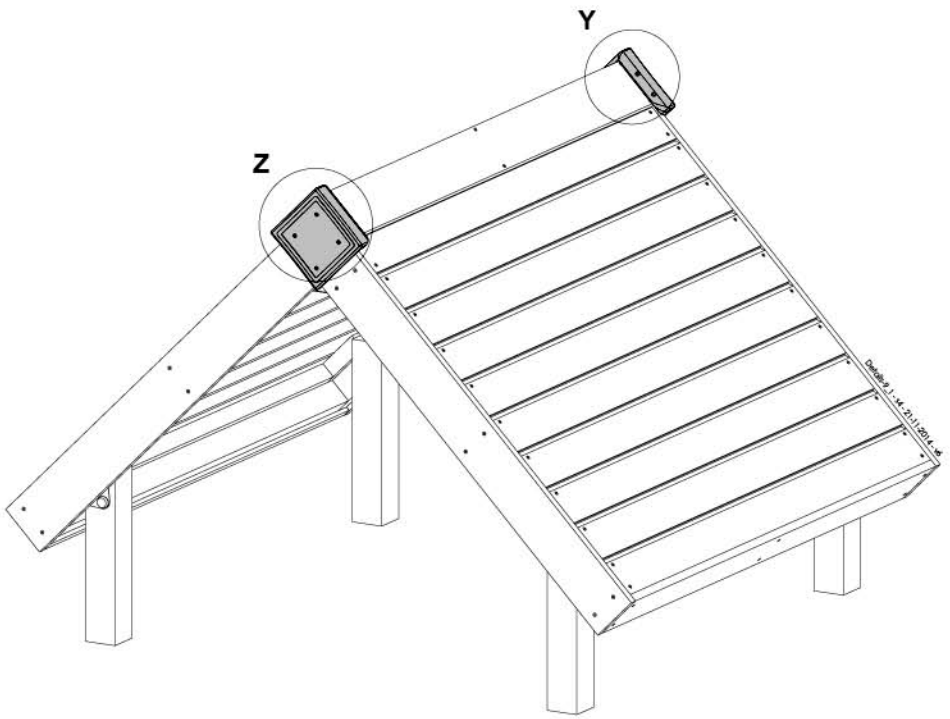
**9.1L**



**9.1m**

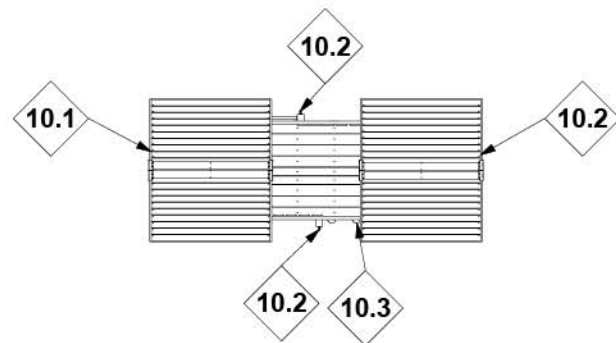
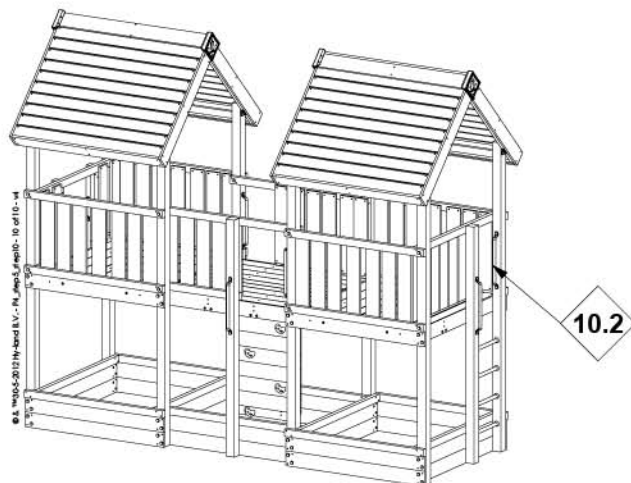
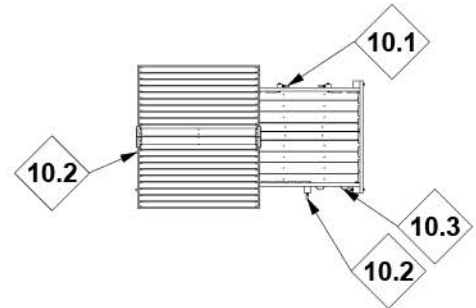
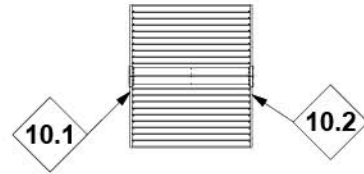
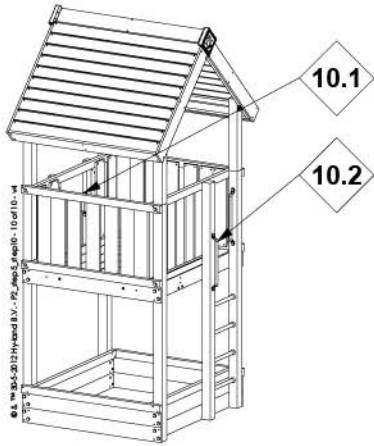
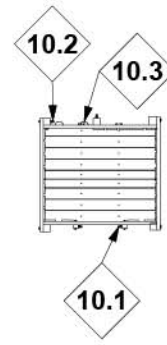
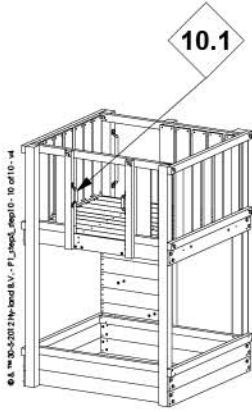


**9.1n**

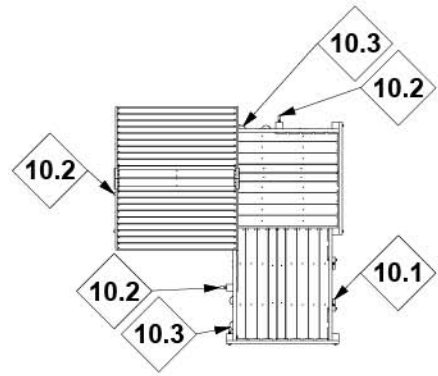
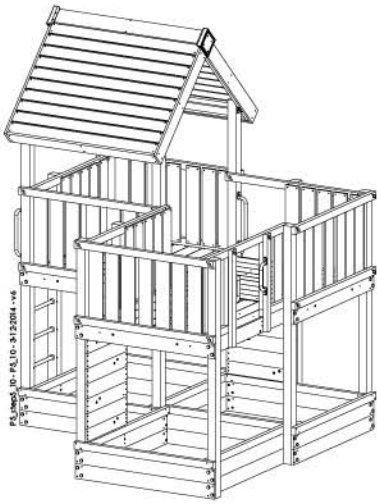




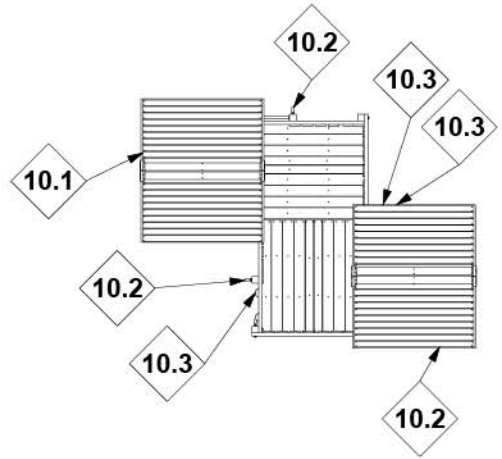
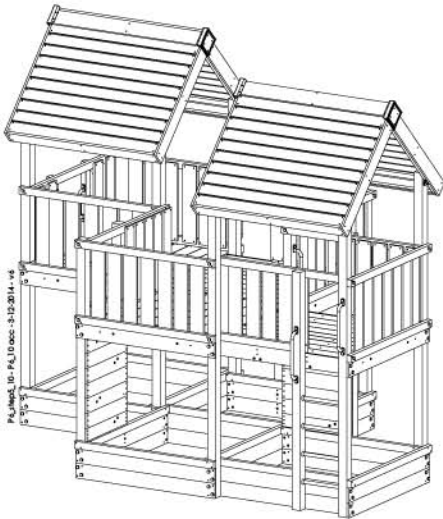
# 10



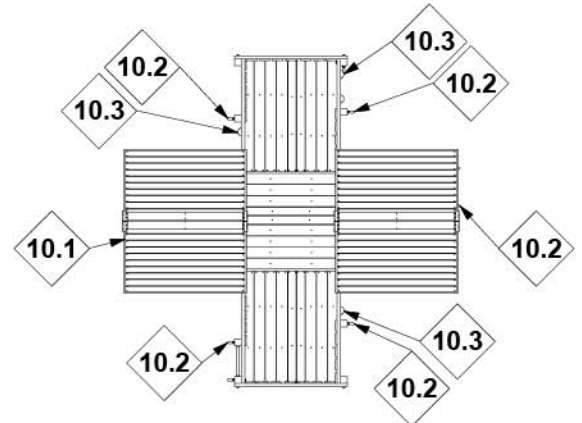
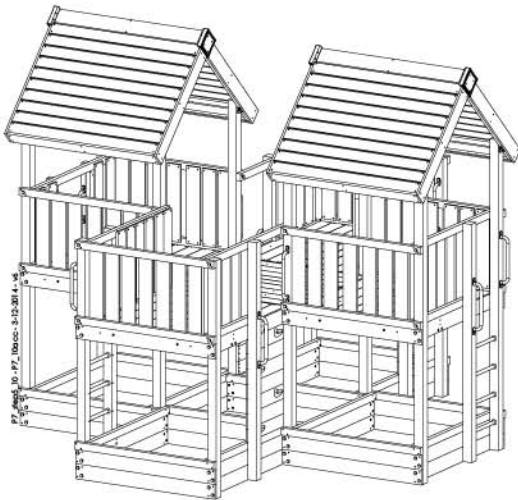
5



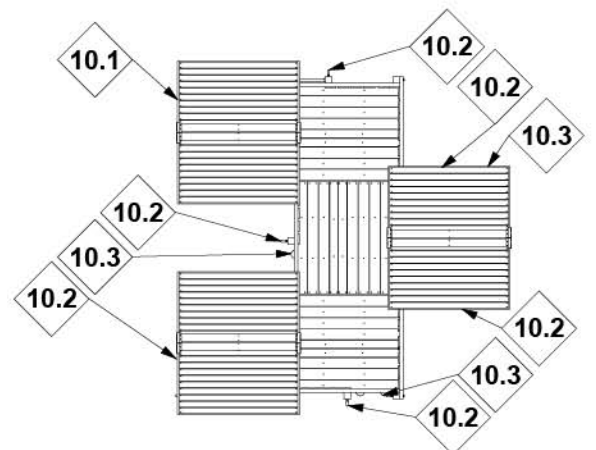
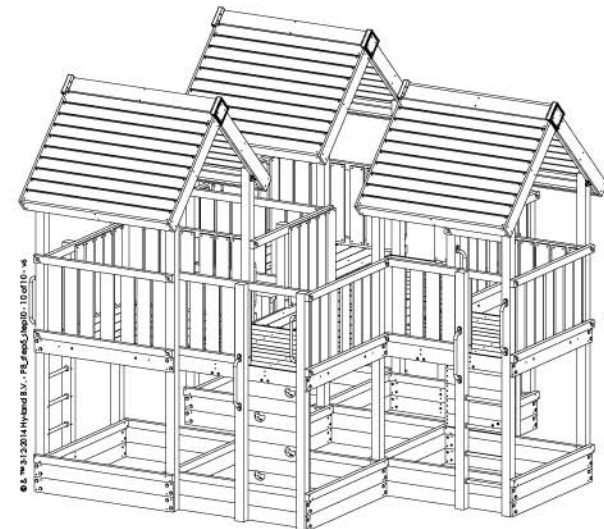
6



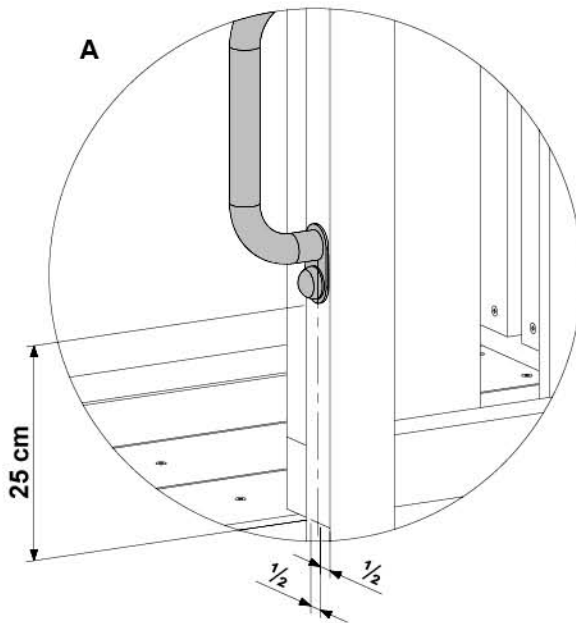
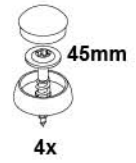
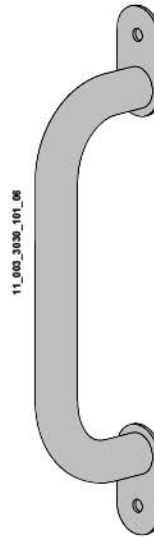
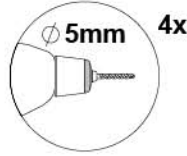
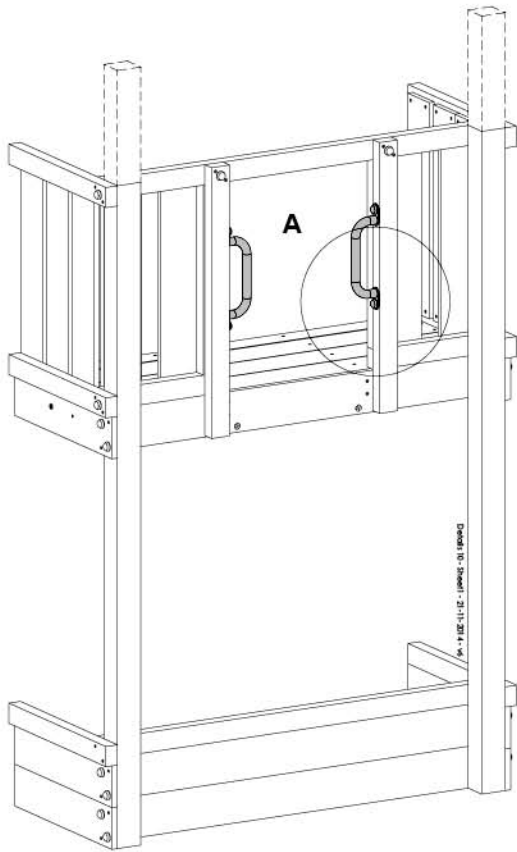
7



8

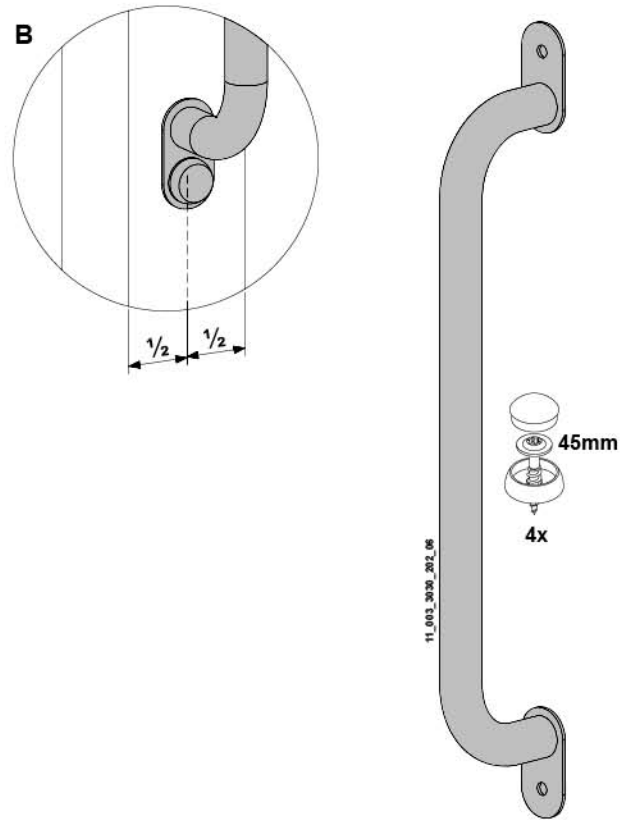
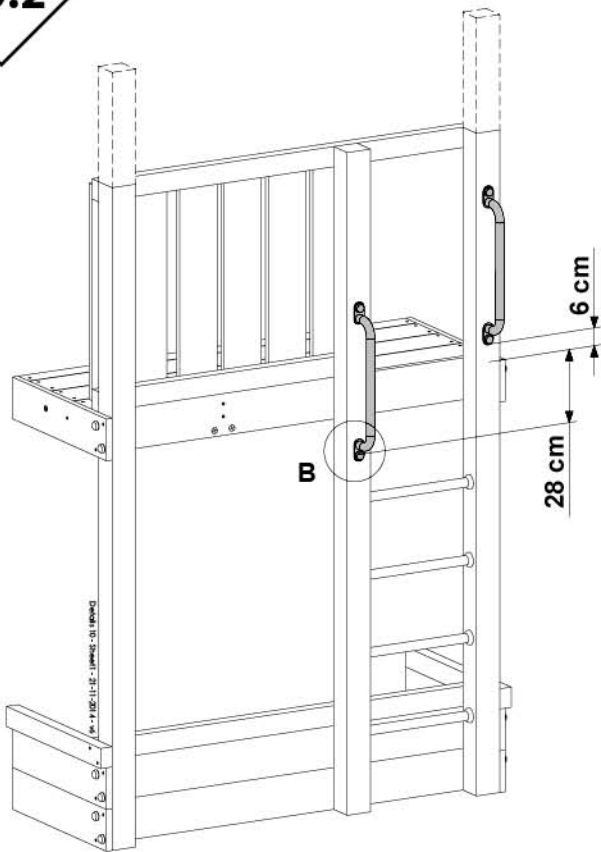


10.1

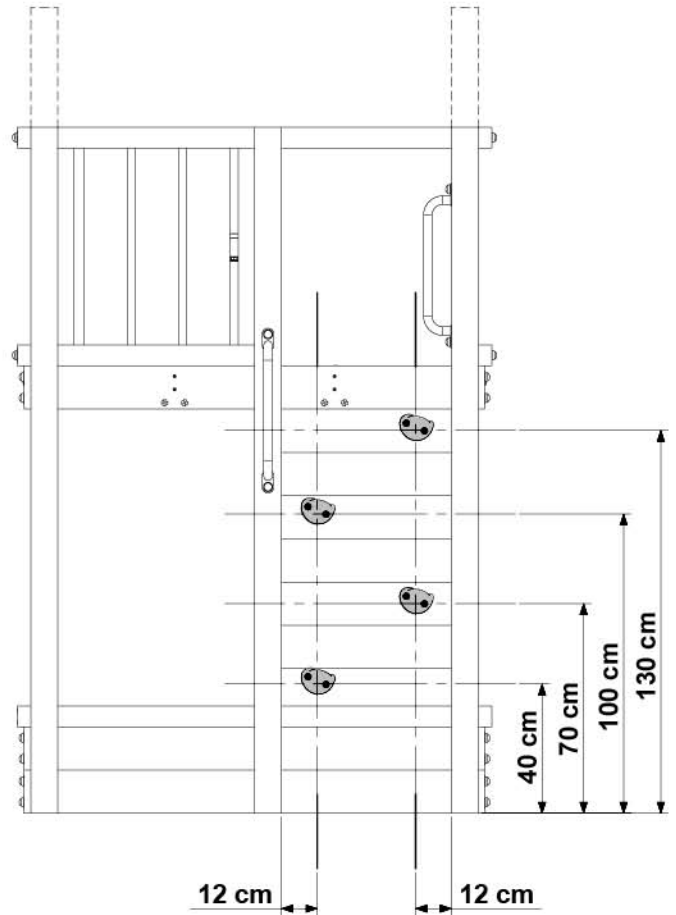
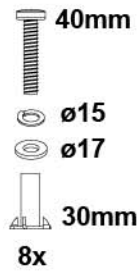
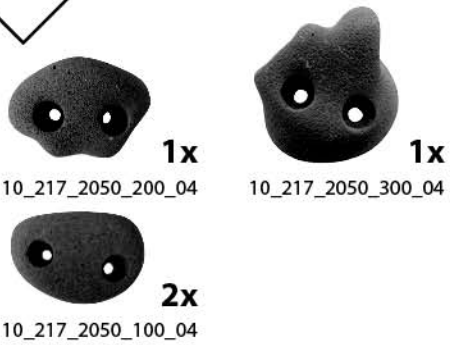




**10.2**

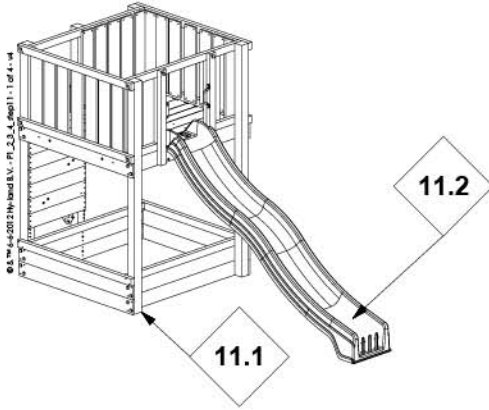


**10.3**

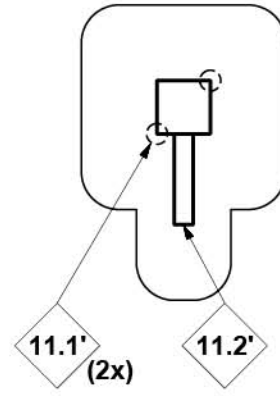


11

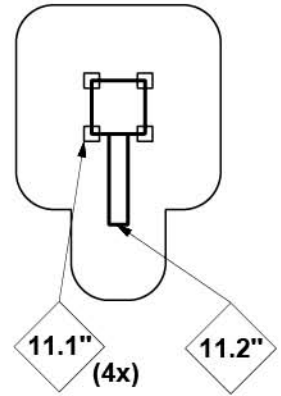
1



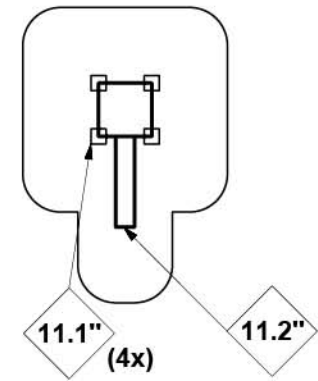
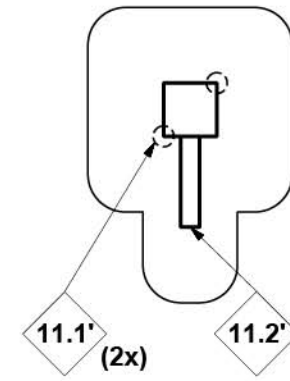
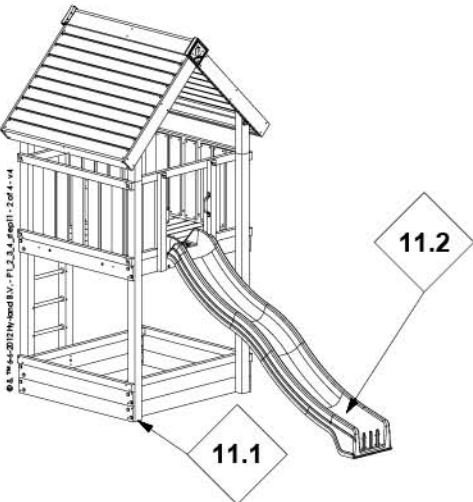
11.1'



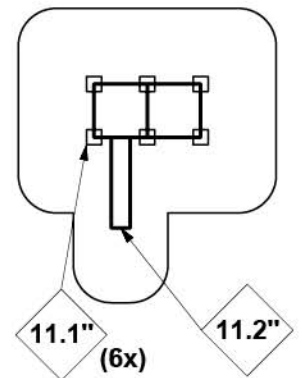
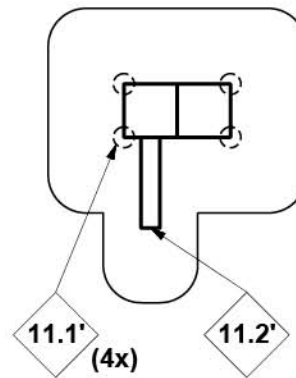
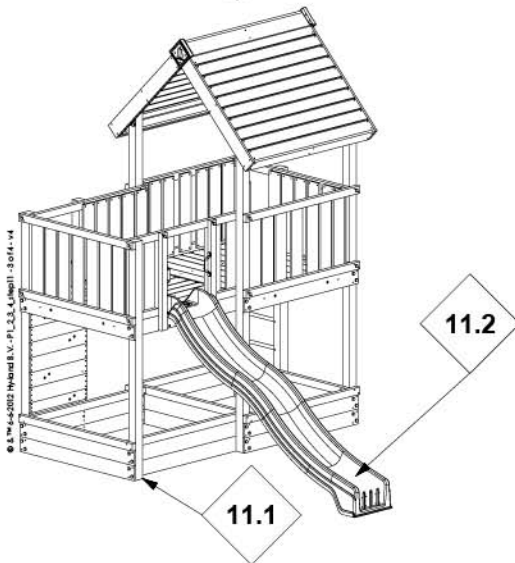
11.1''



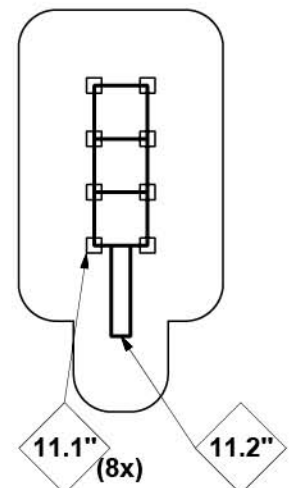
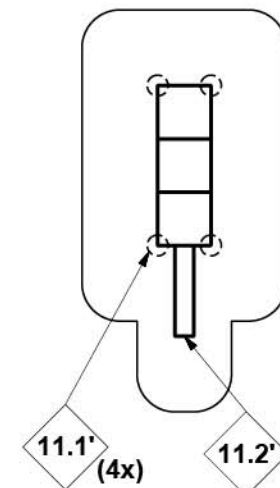
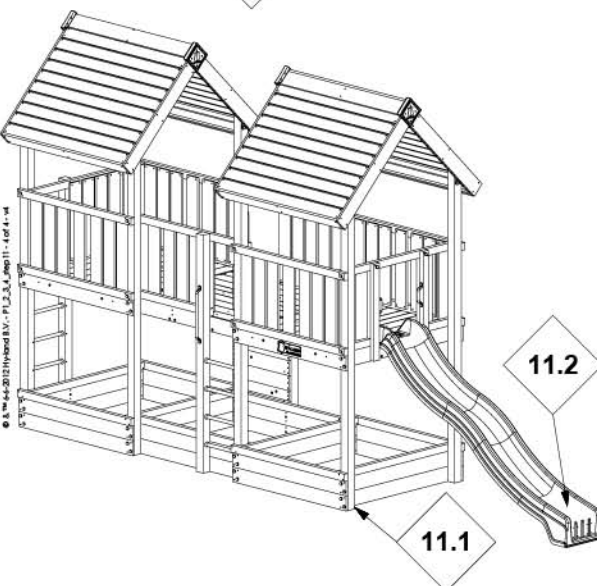
2



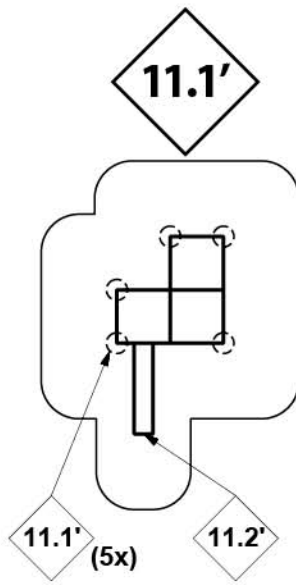
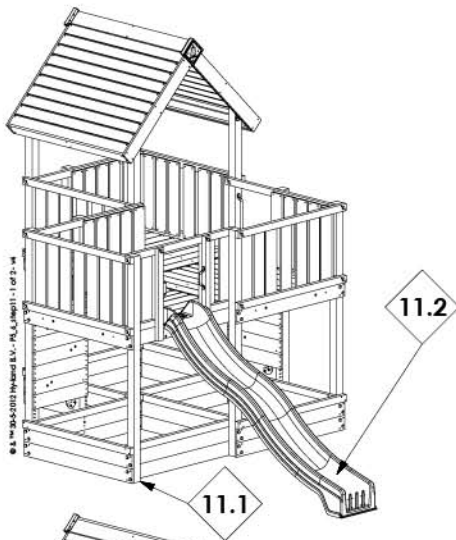
3



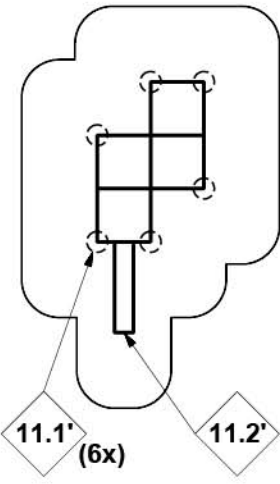
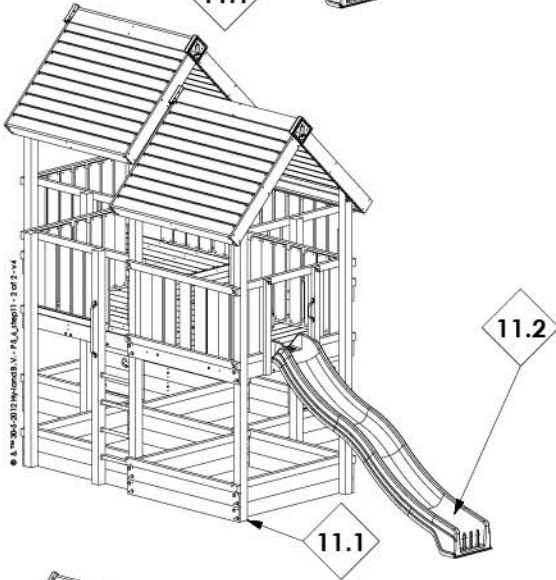
4



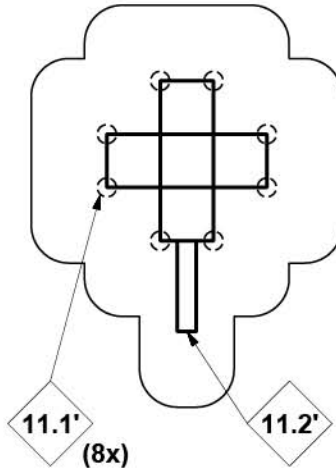
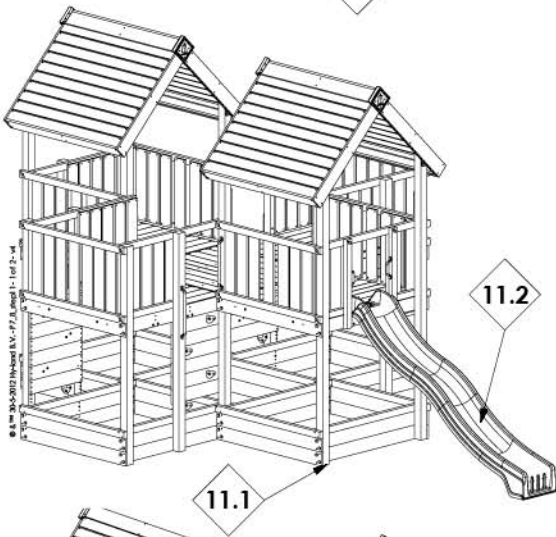
5



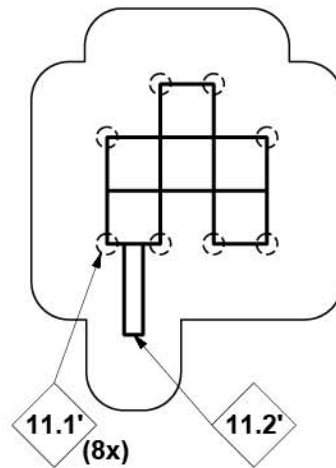
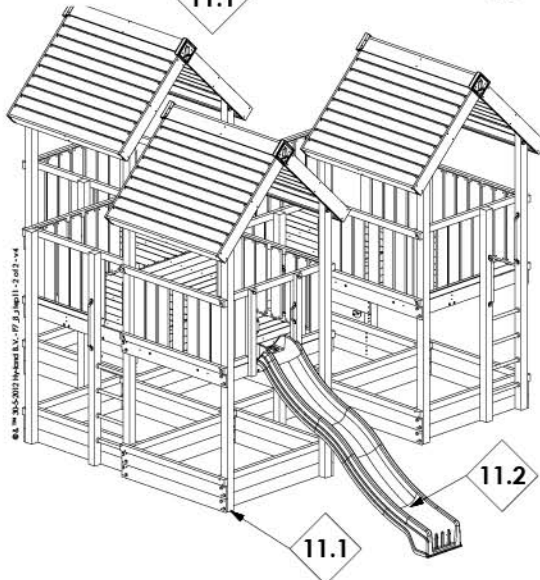
6



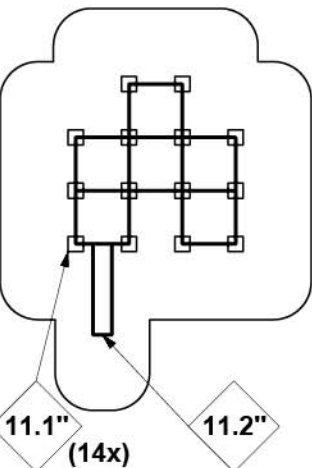
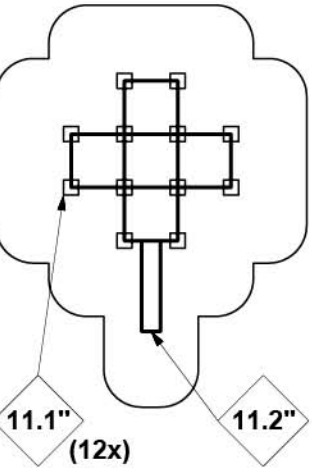
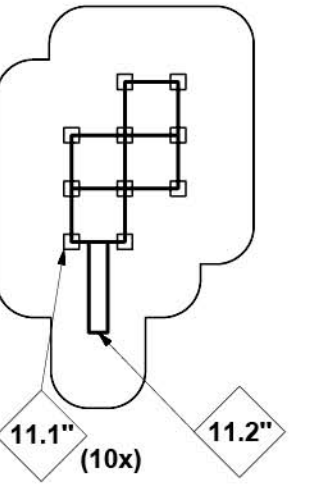
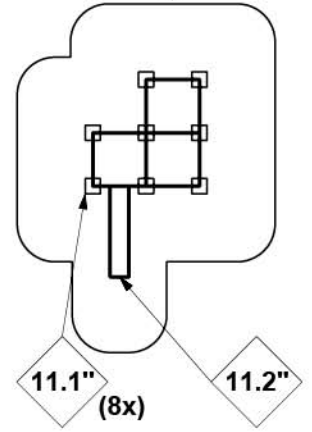
7



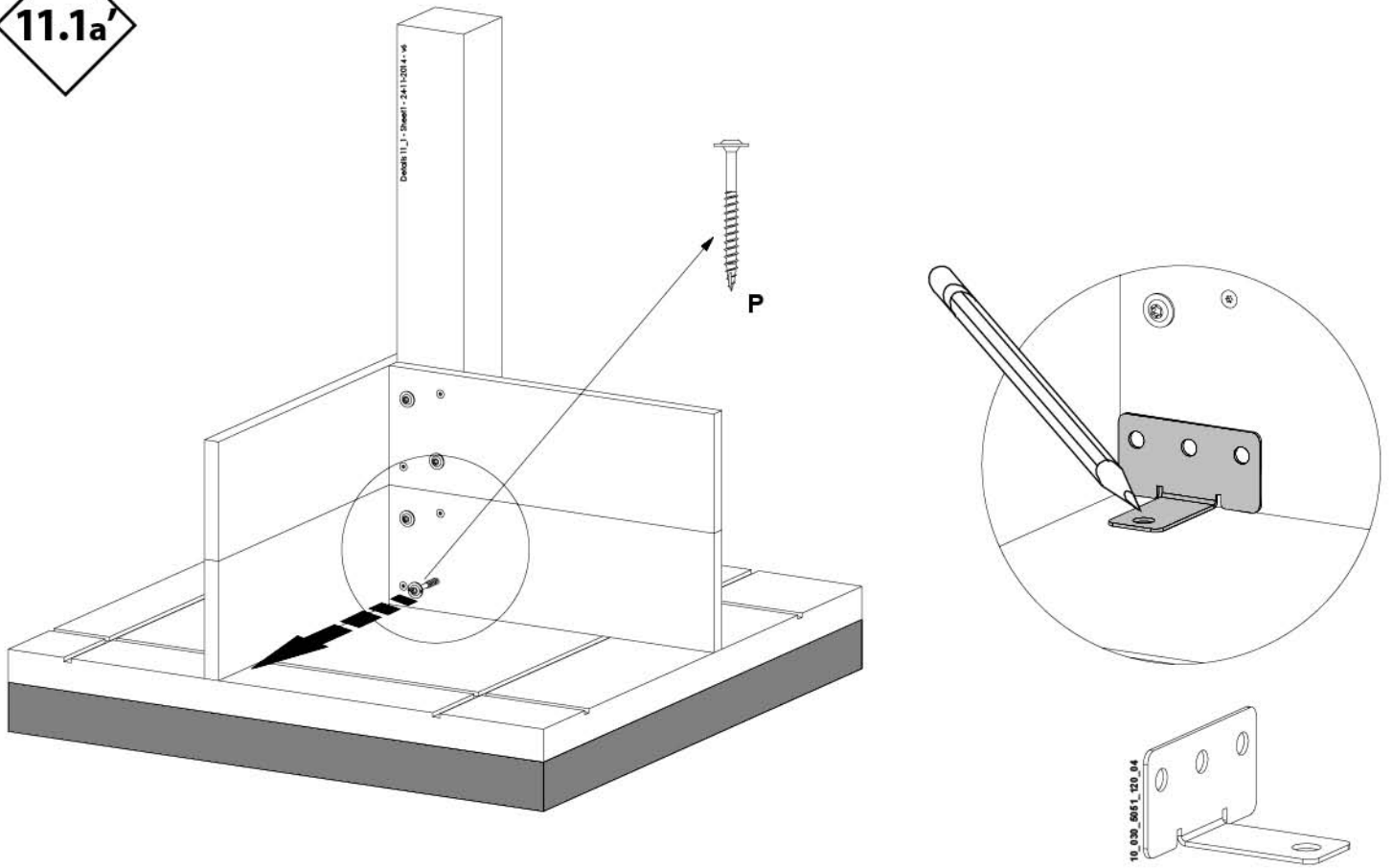
8



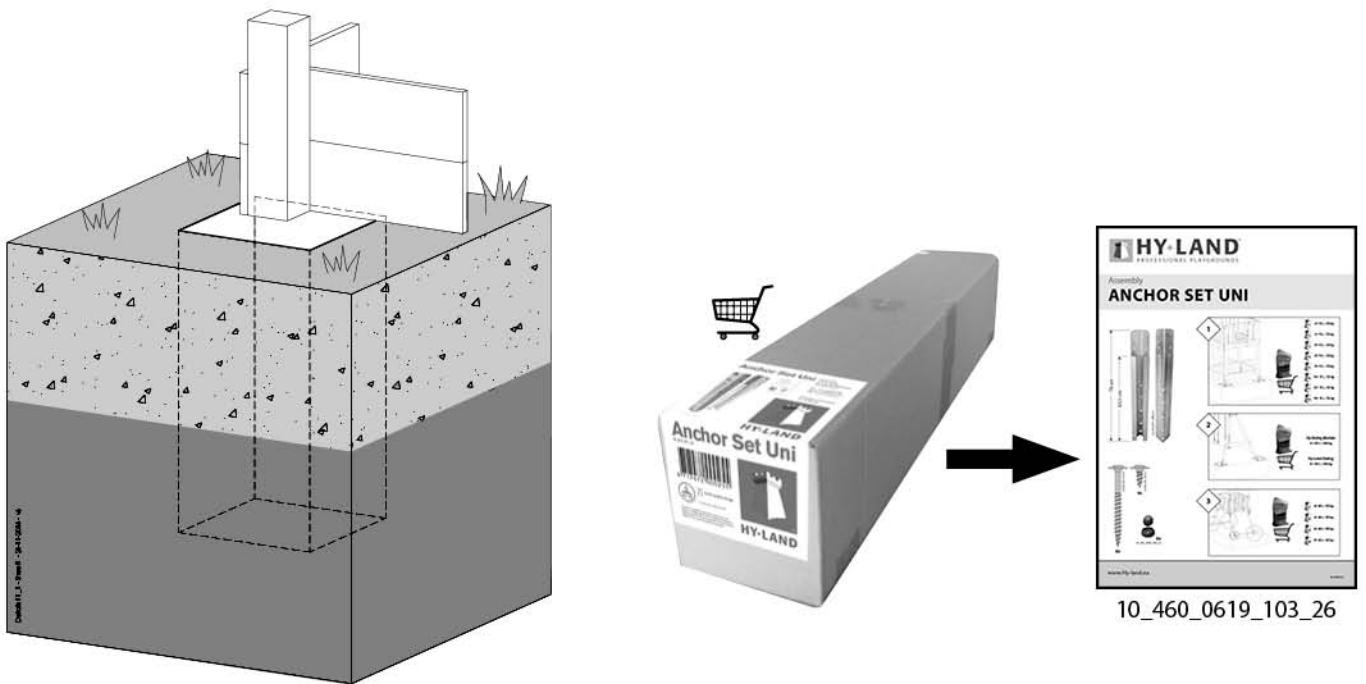
11.1''



11.1a'



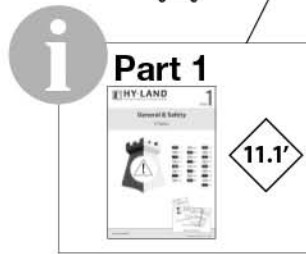
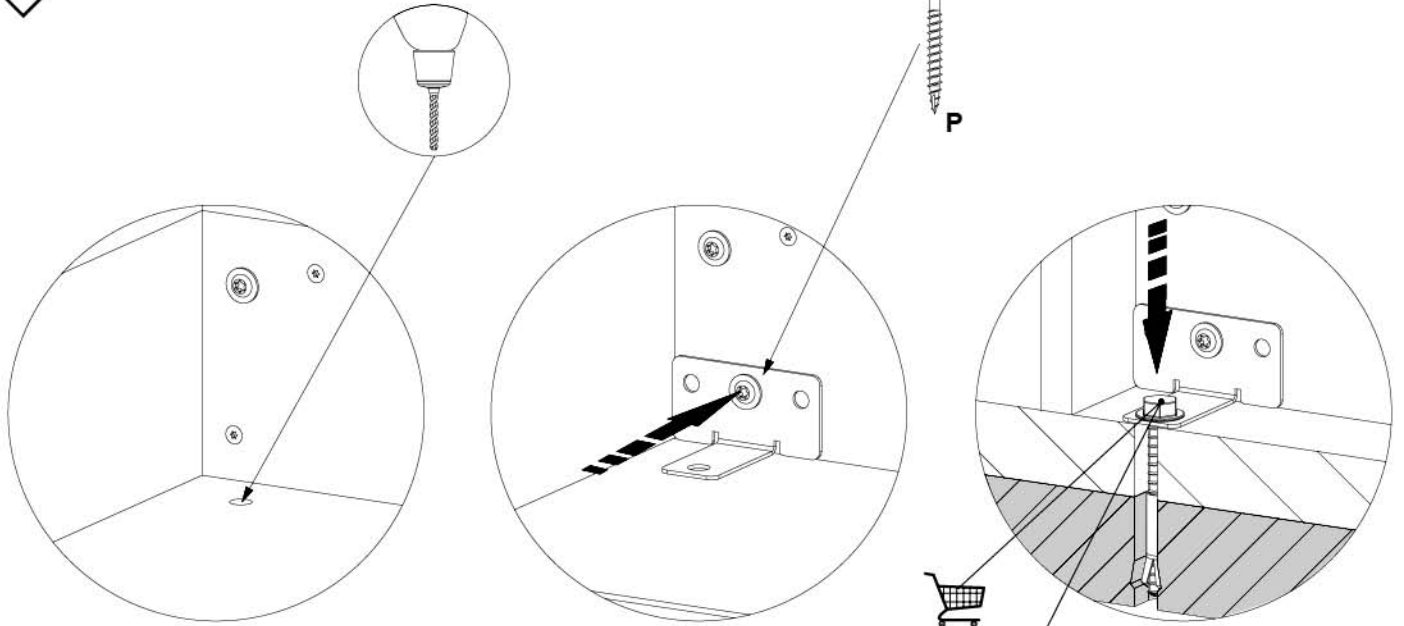
11.1a''



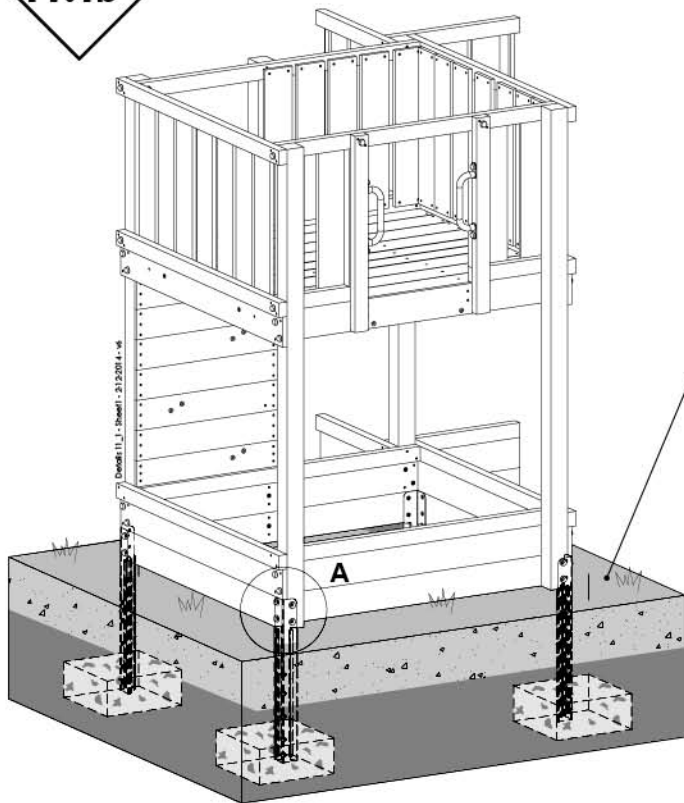
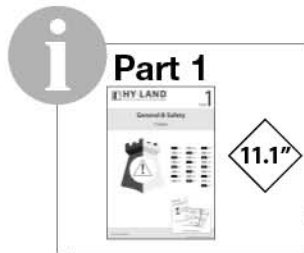
11.1b'

>  $\phi$  8 mm

P

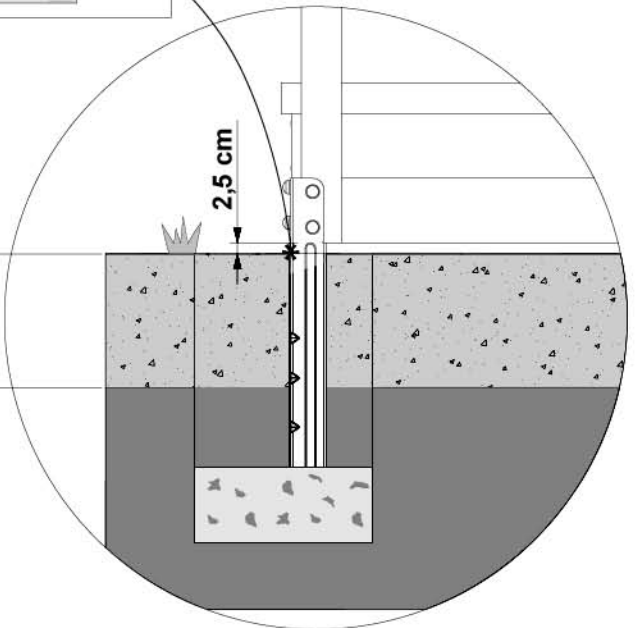


11.1b''

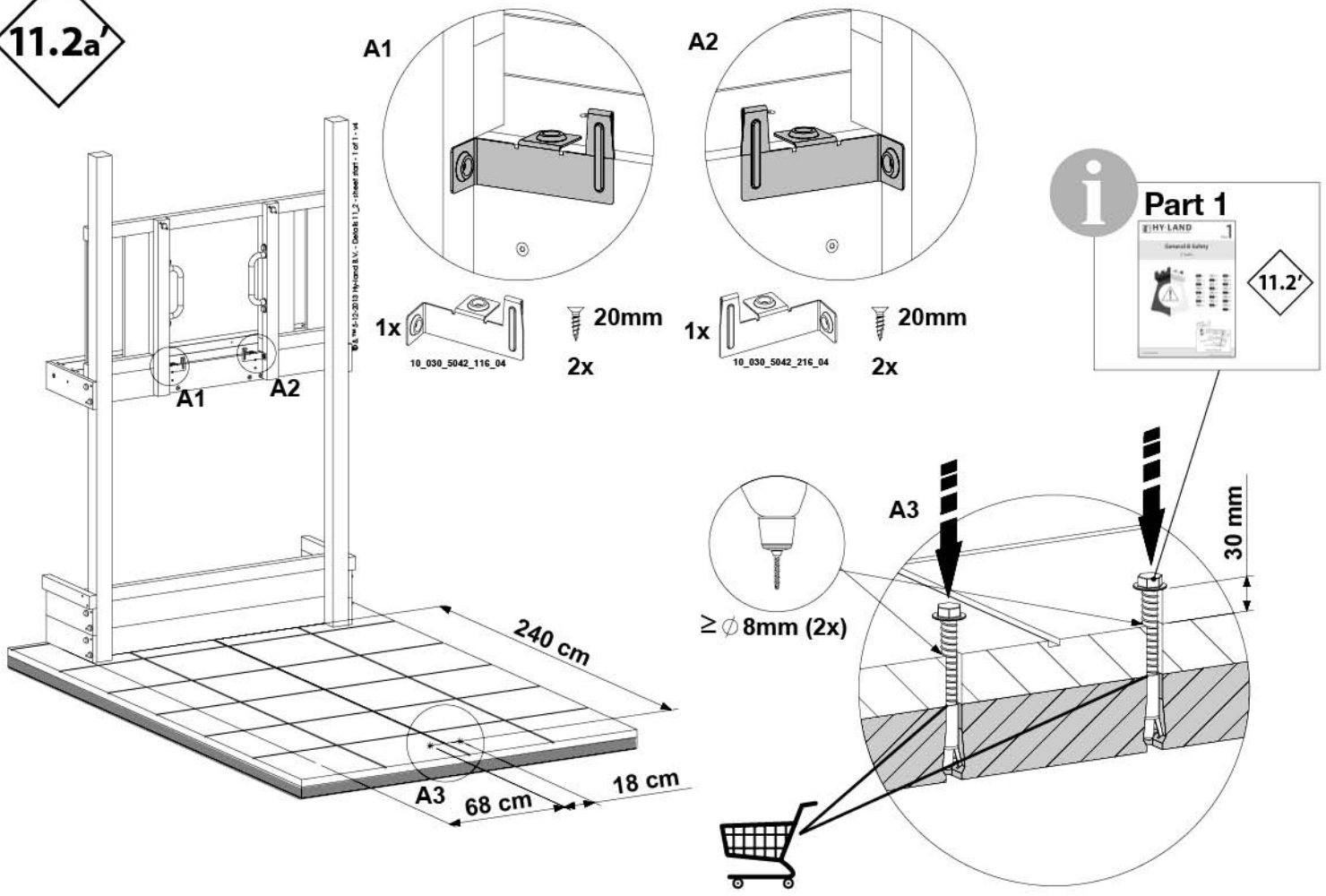


min. 300 cm

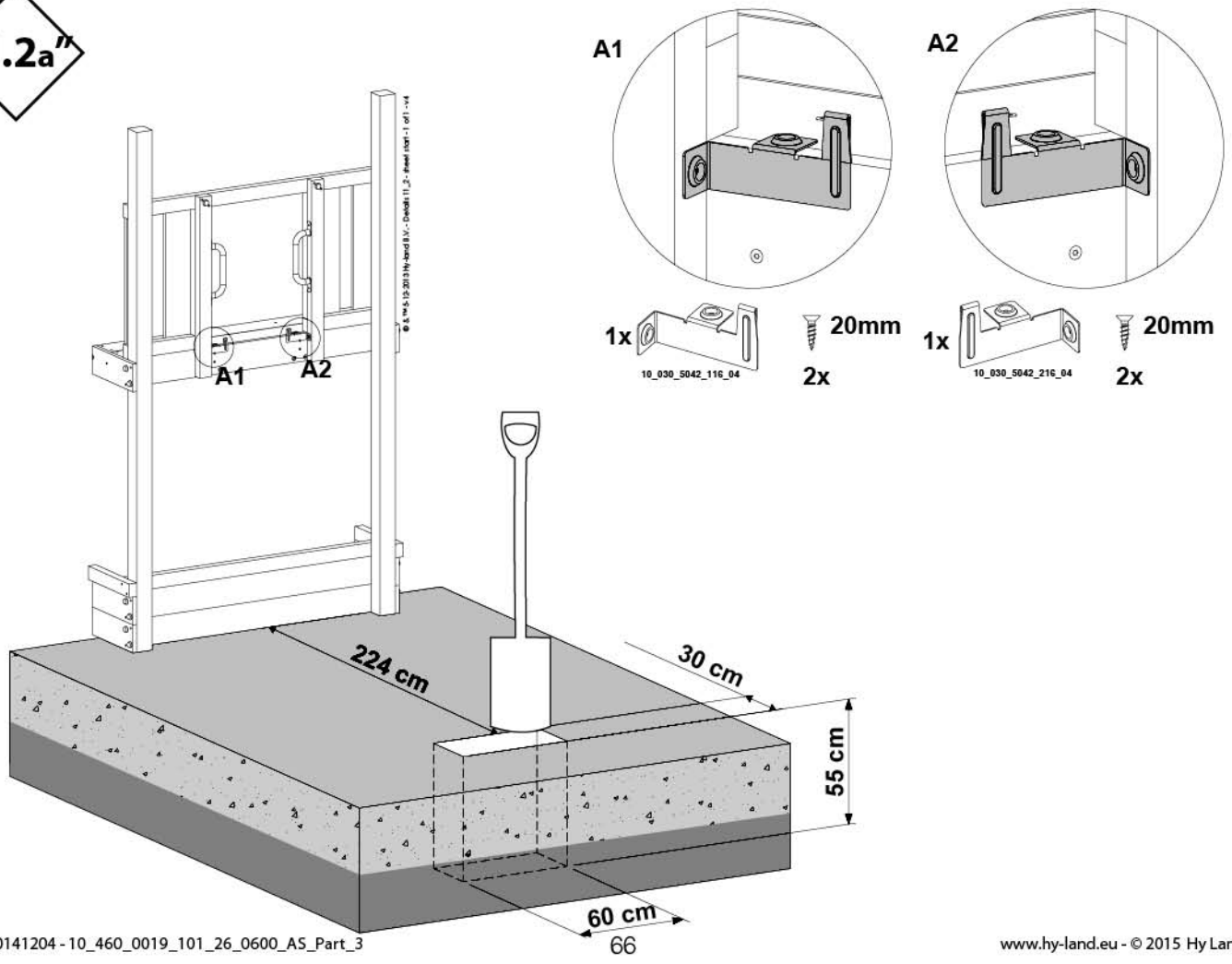
2,5 cm



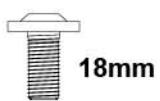
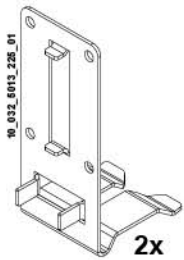
11.2a'



11.2a''

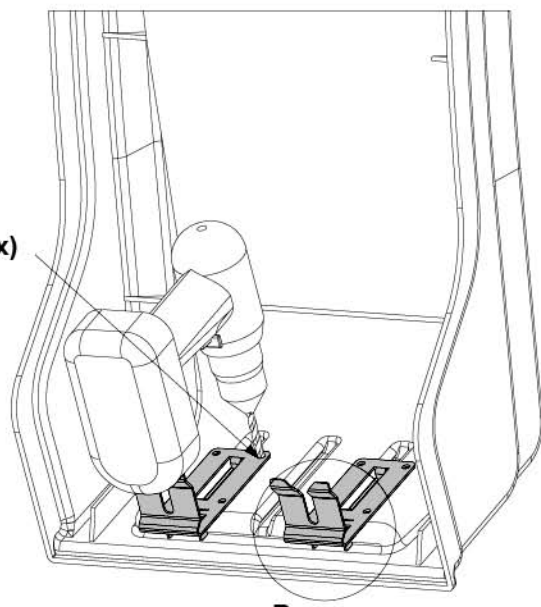


**11.2b'**

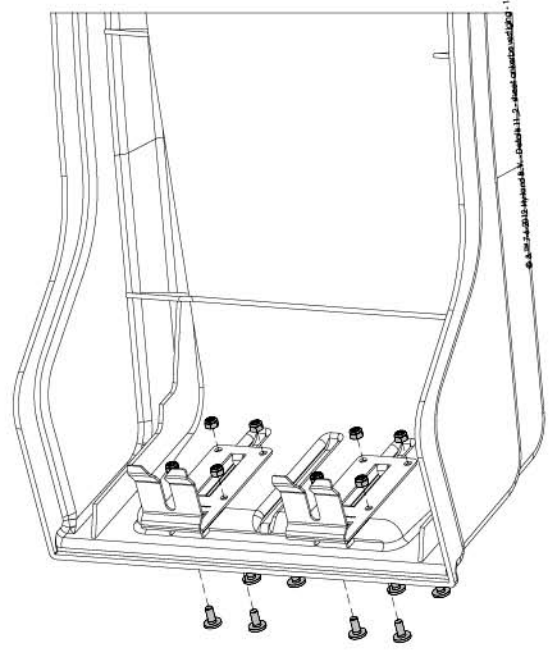
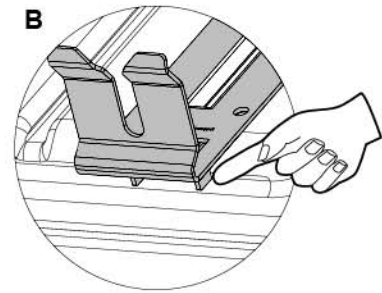


8x

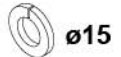
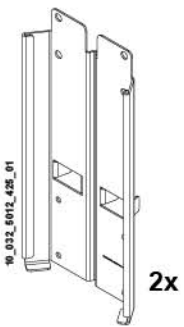
ø8mm (8x)



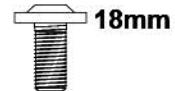
B



**11.2b''**

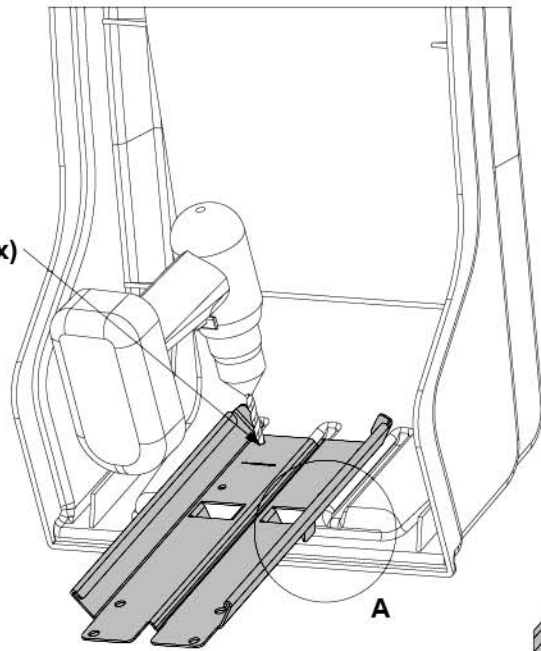


4x

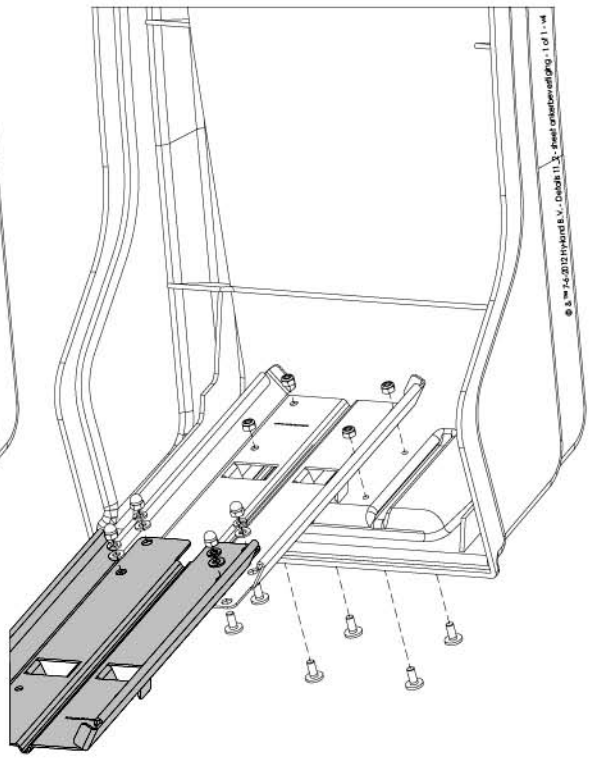
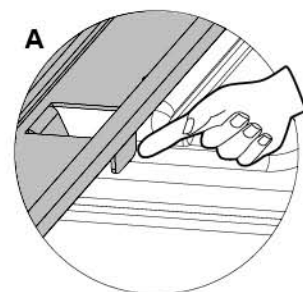


4x

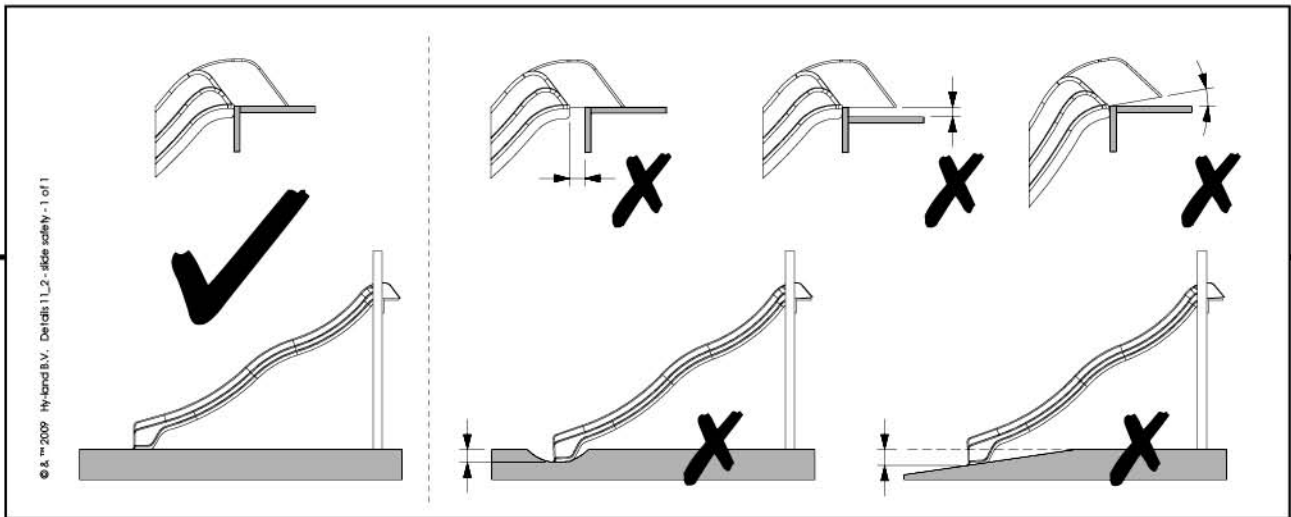
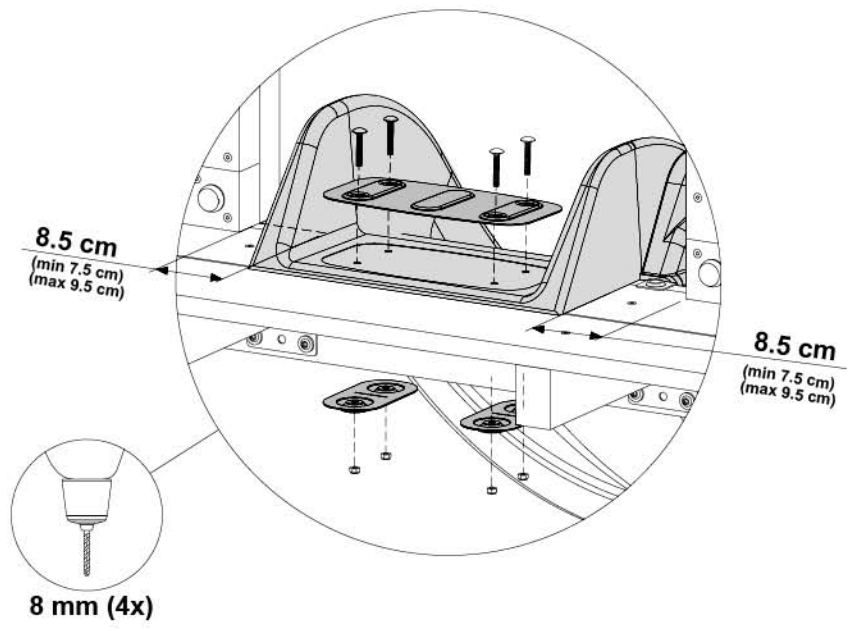
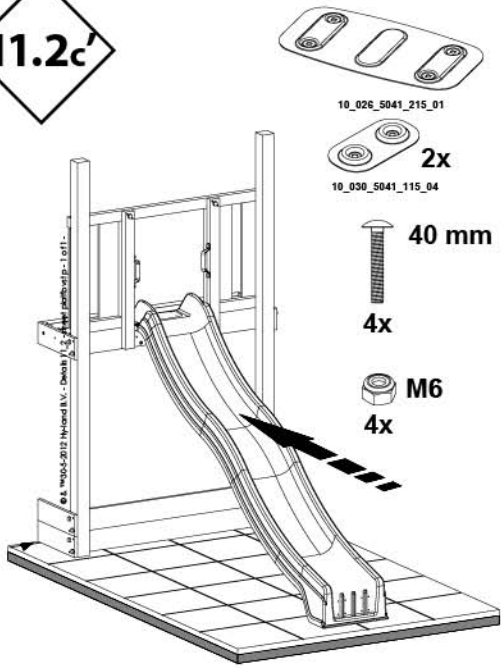
ø8mm (4x)



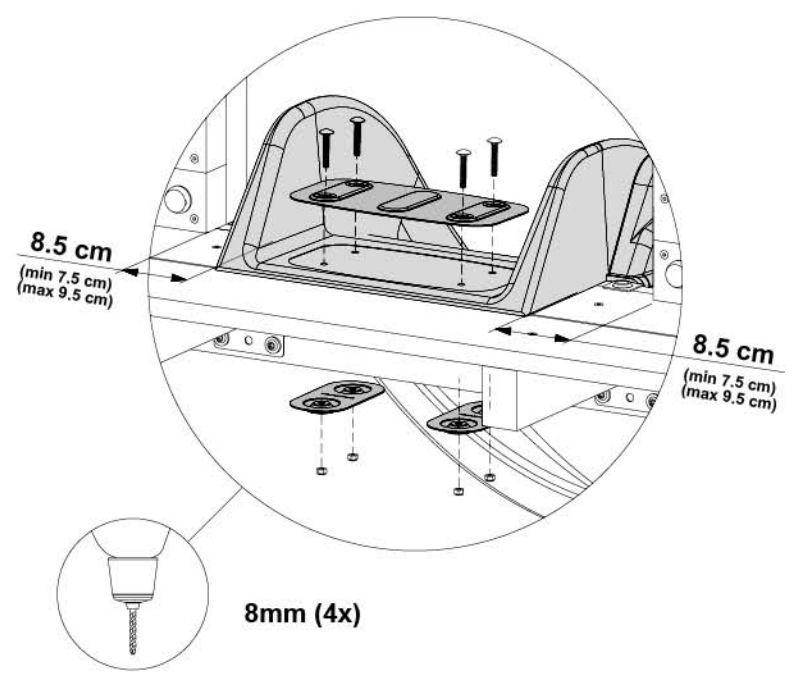
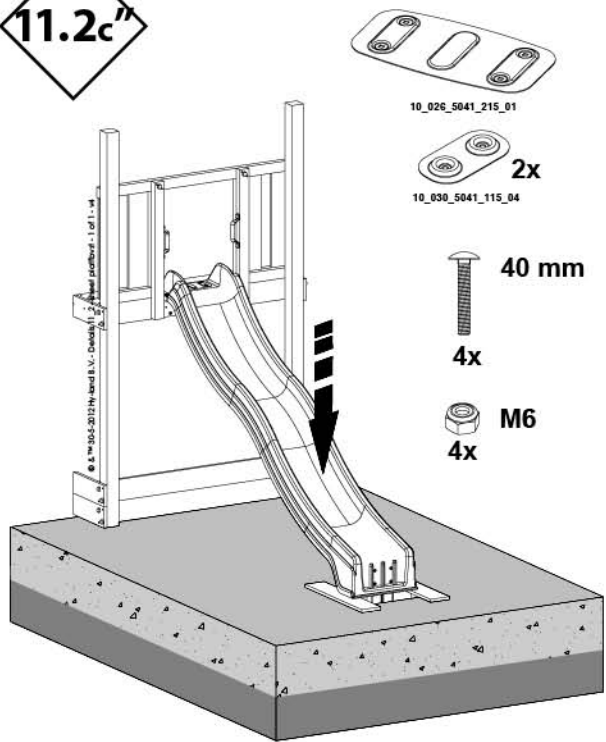
A



**11.2c'**

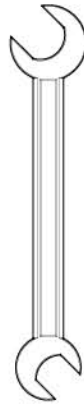
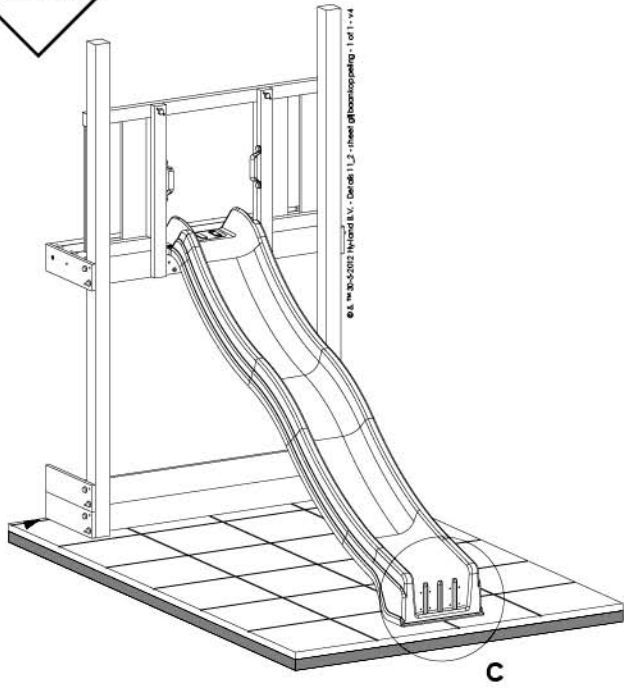


**11.2c''**

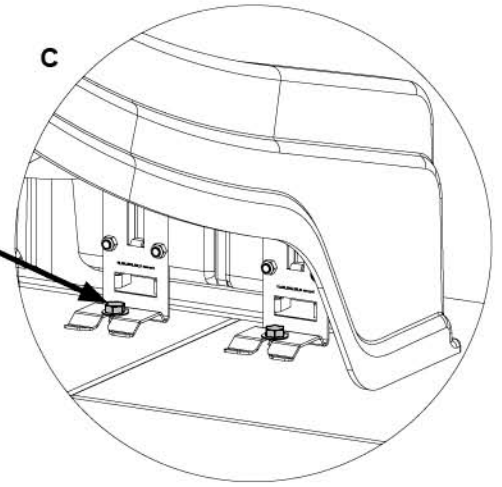




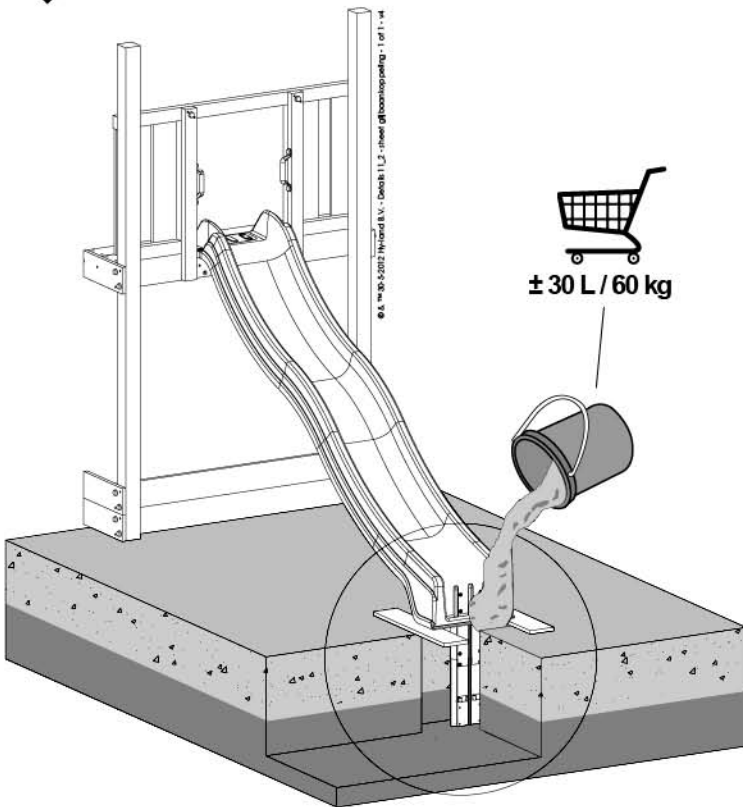
11.2d'



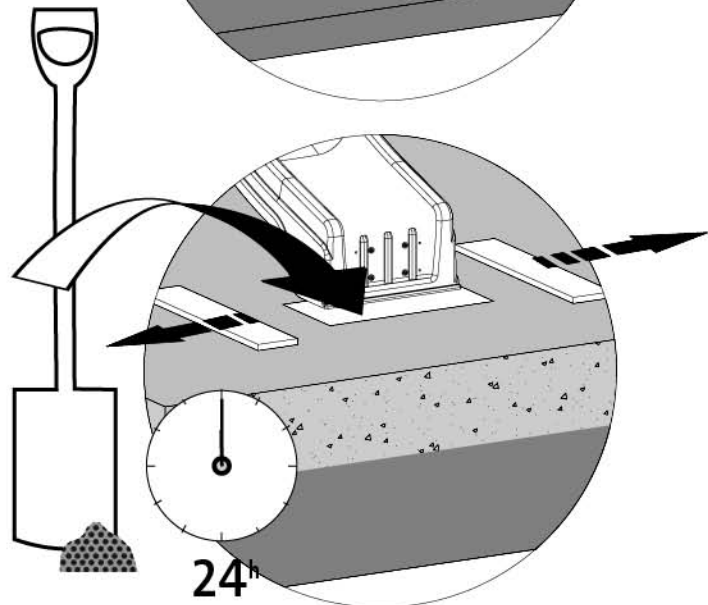
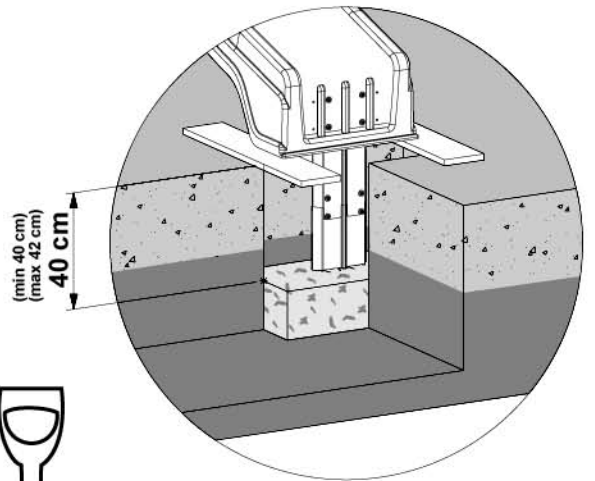
2x



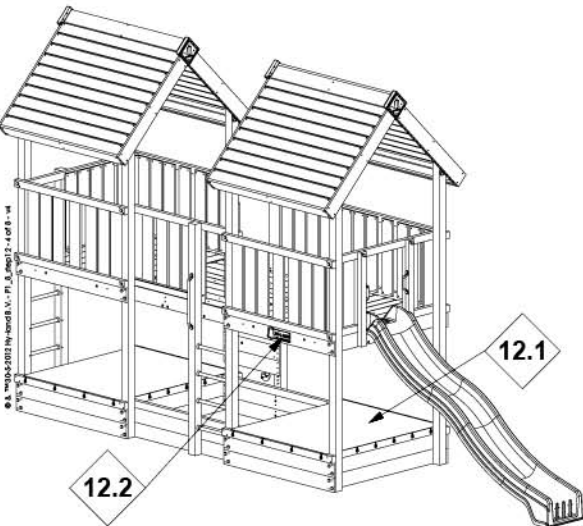
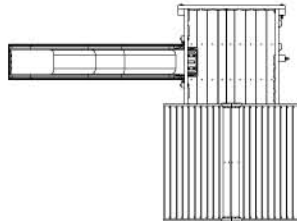
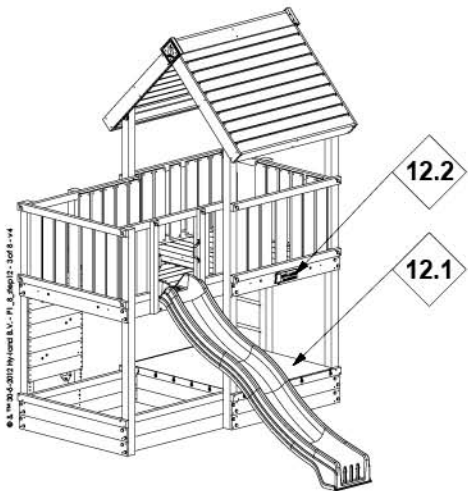
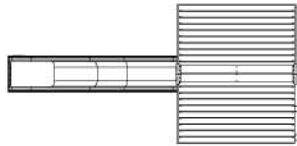
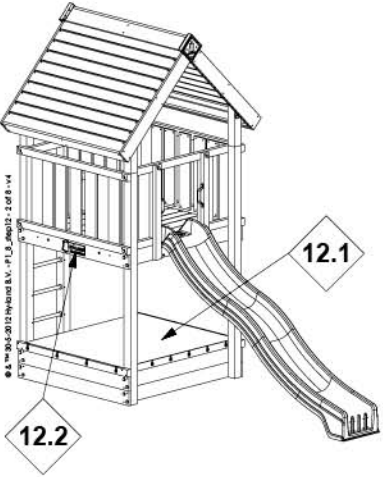
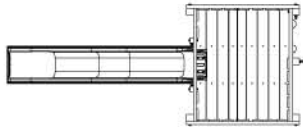
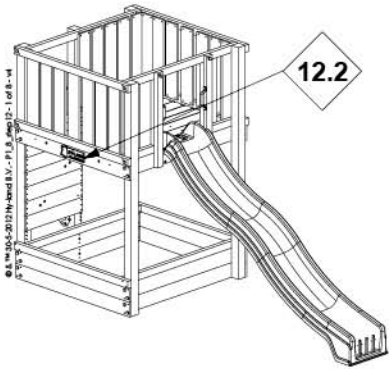
11.2d''



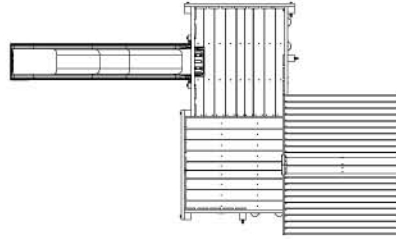
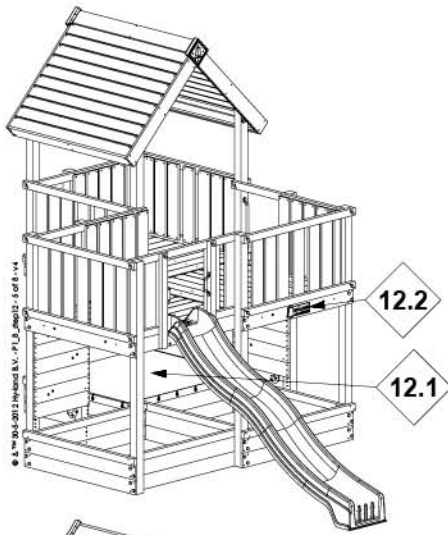
± 30 L / 60 kg



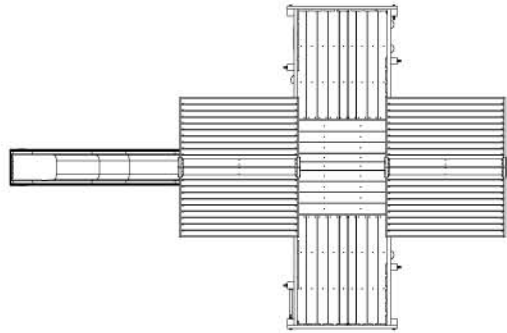
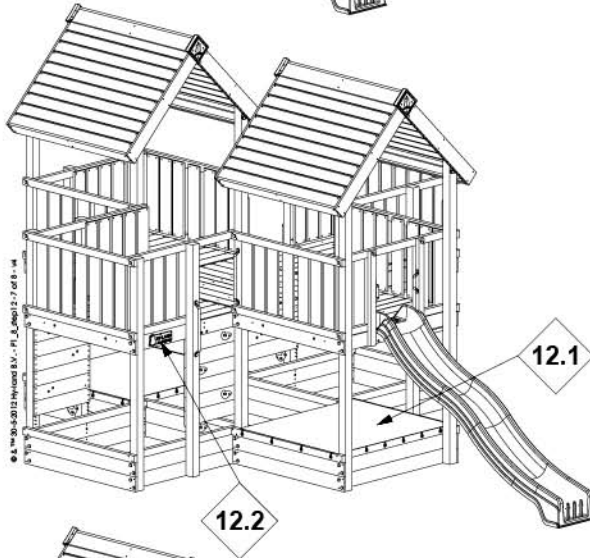
12



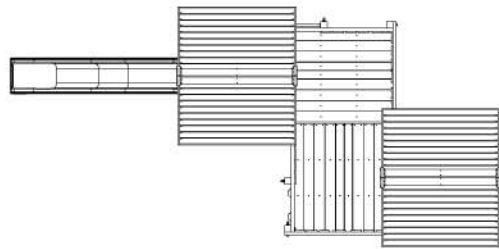
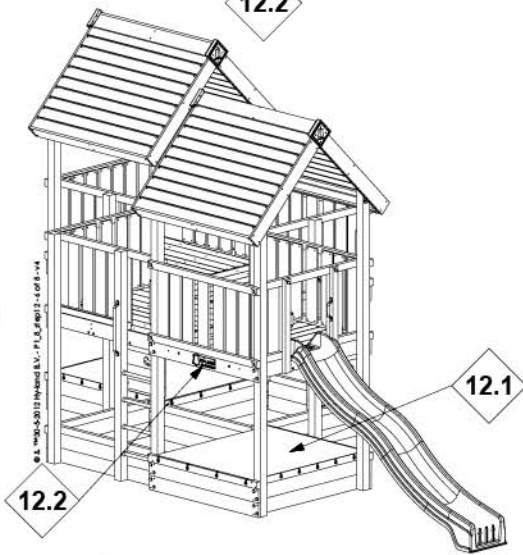
5



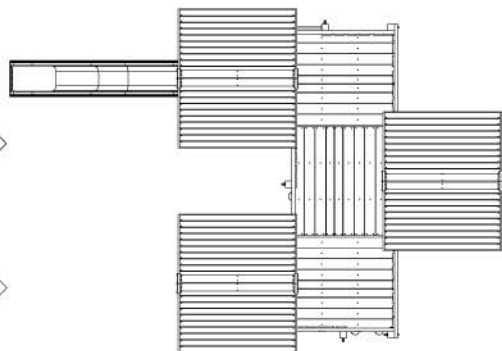
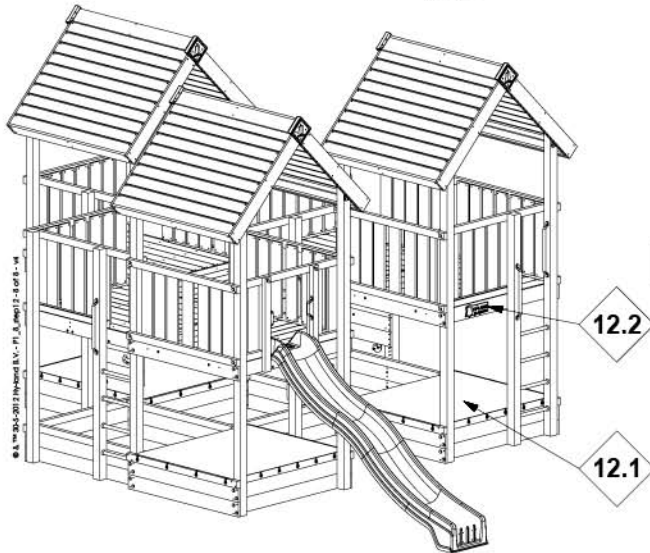
6



7



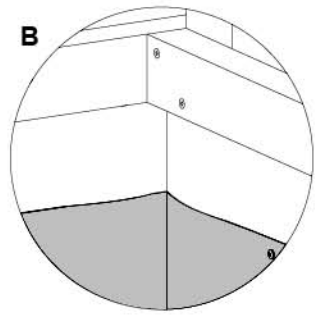
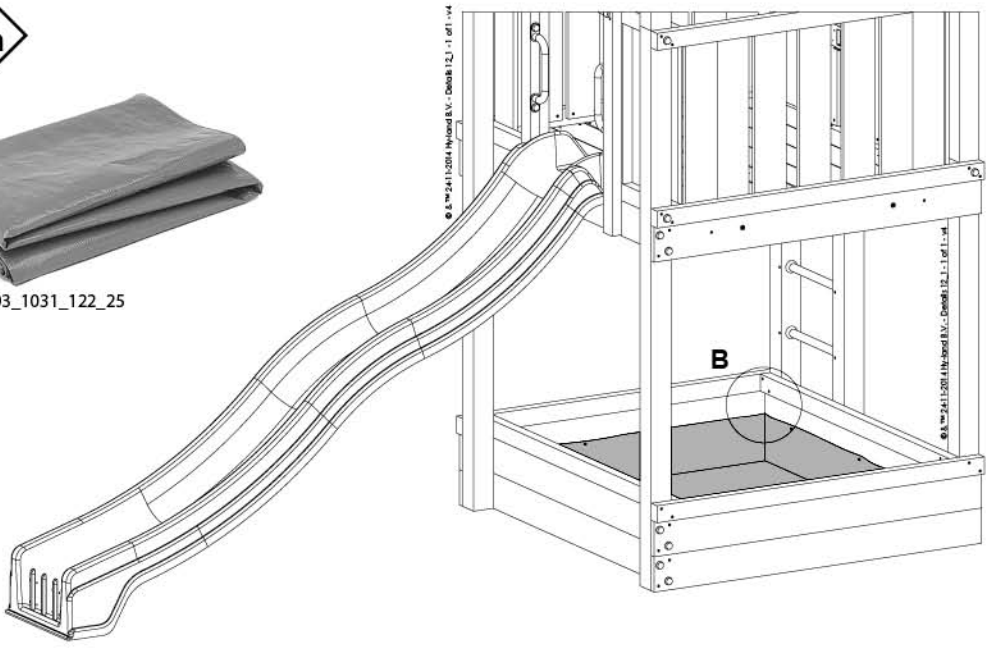
8



**12.1a**



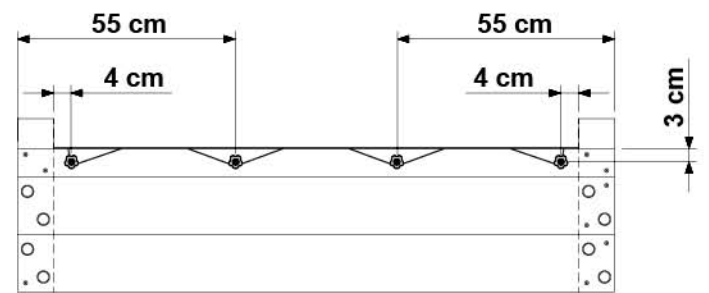
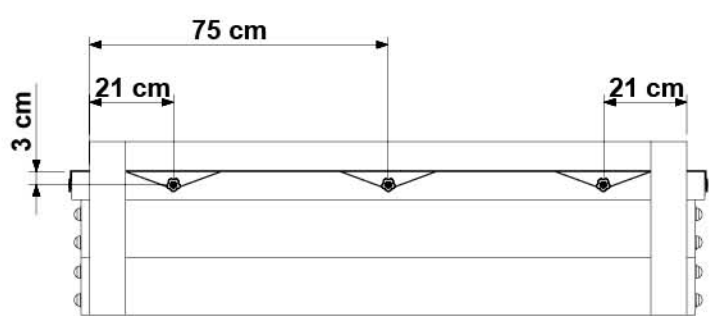
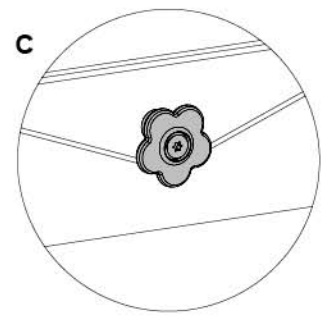
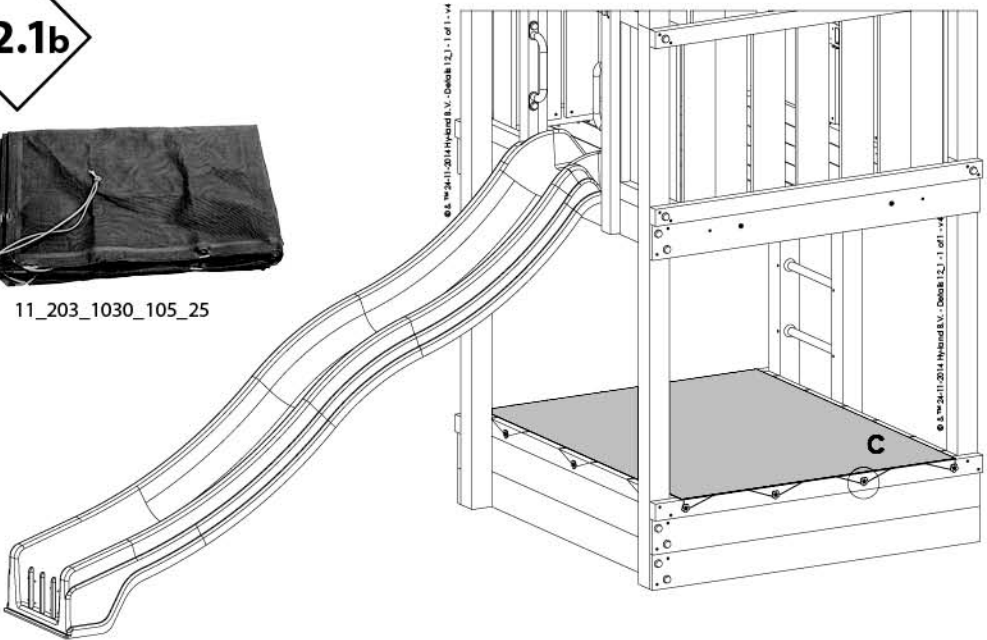
11\_203\_1031\_122\_25



**12.1b**



11\_203\_1030\_105\_25



12.2a



### Your Project data

1

2 Project no.:

Serial no. Kits:

3

**Hy-Slide Green**  
S2014 M

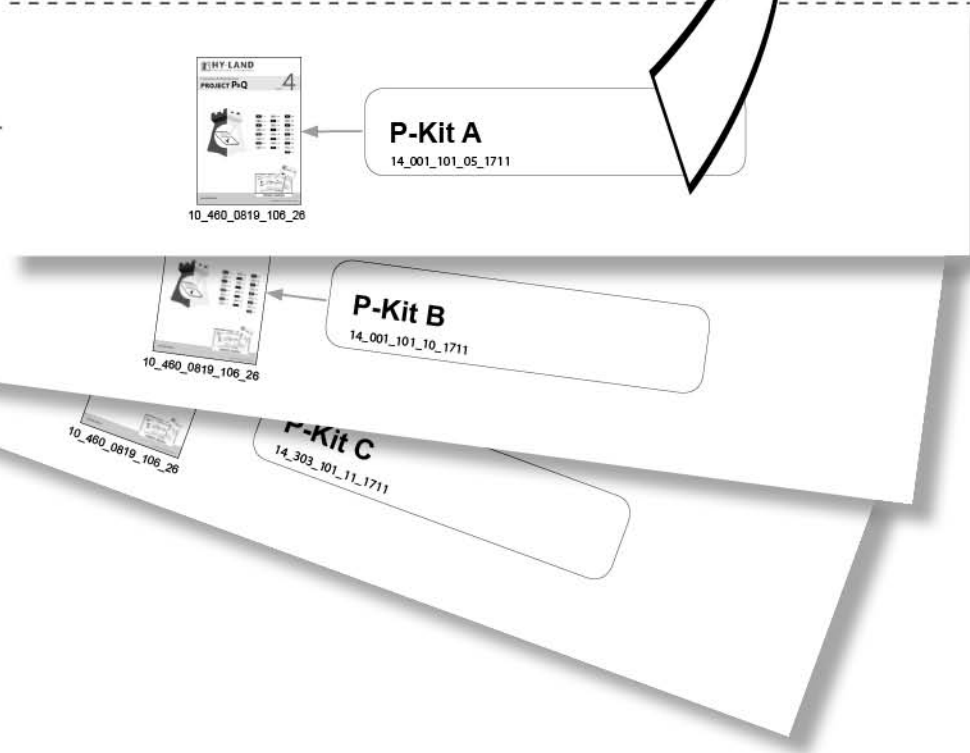
**Hy-Slide Steel**  
S2014 M

Name of manufacturer: Hy-Land B.V.  
Address: Huisbosveld 17  
Postal code: City: 3825 ED, Amersfoort  
Country: The Netherlands  
Phone number: 06 55448 811  
URL: www.hy-land.eu  
Email: info@hy-land.eu

Name of installer: \_\_\_\_\_  
Address: \_\_\_\_\_  
Postal code: City: \_\_\_\_\_  
Country: \_\_\_\_\_  
Phone number: \_\_\_\_\_  
Date of assembly: \_\_\_\_\_  
Email: \_\_\_\_\_

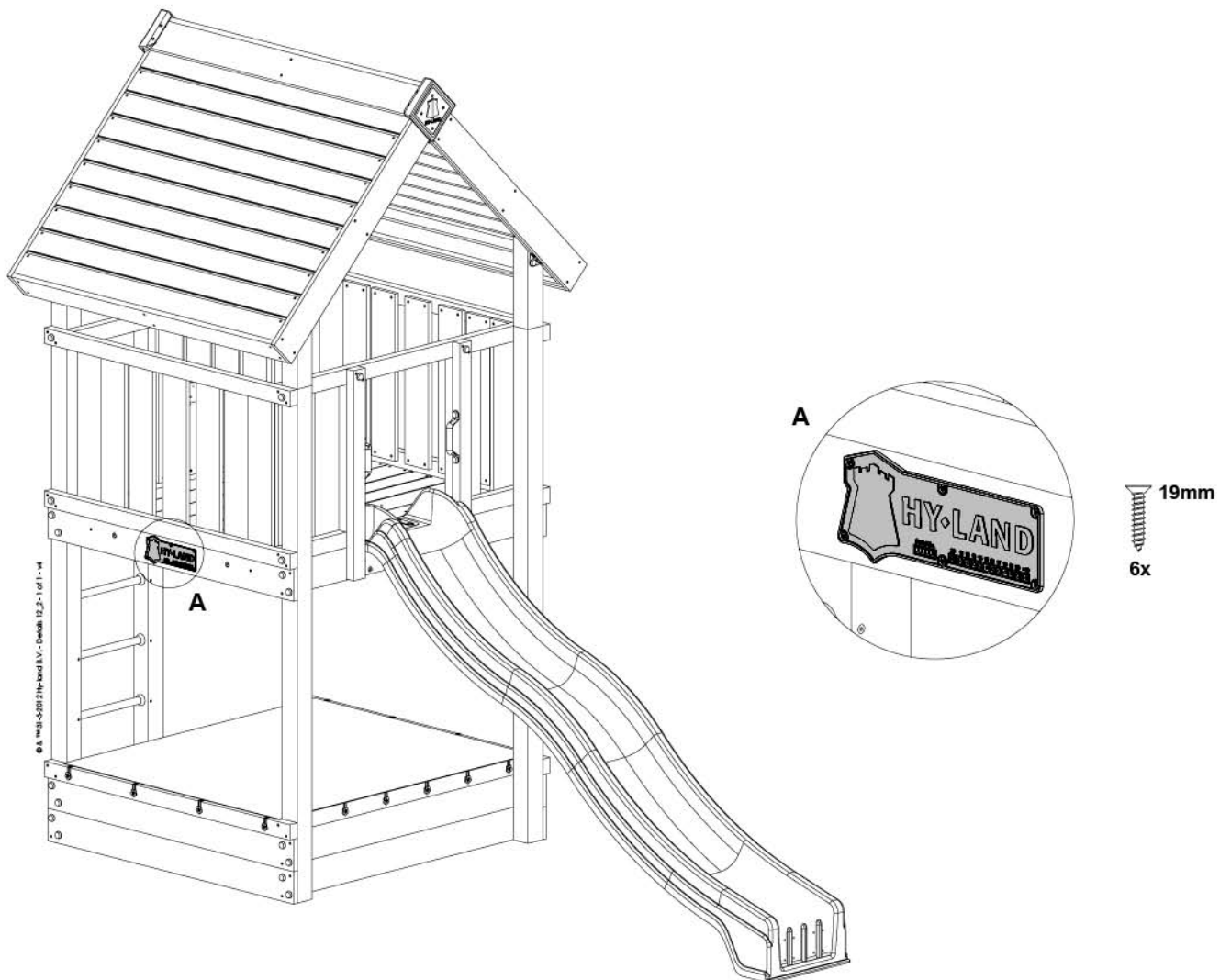
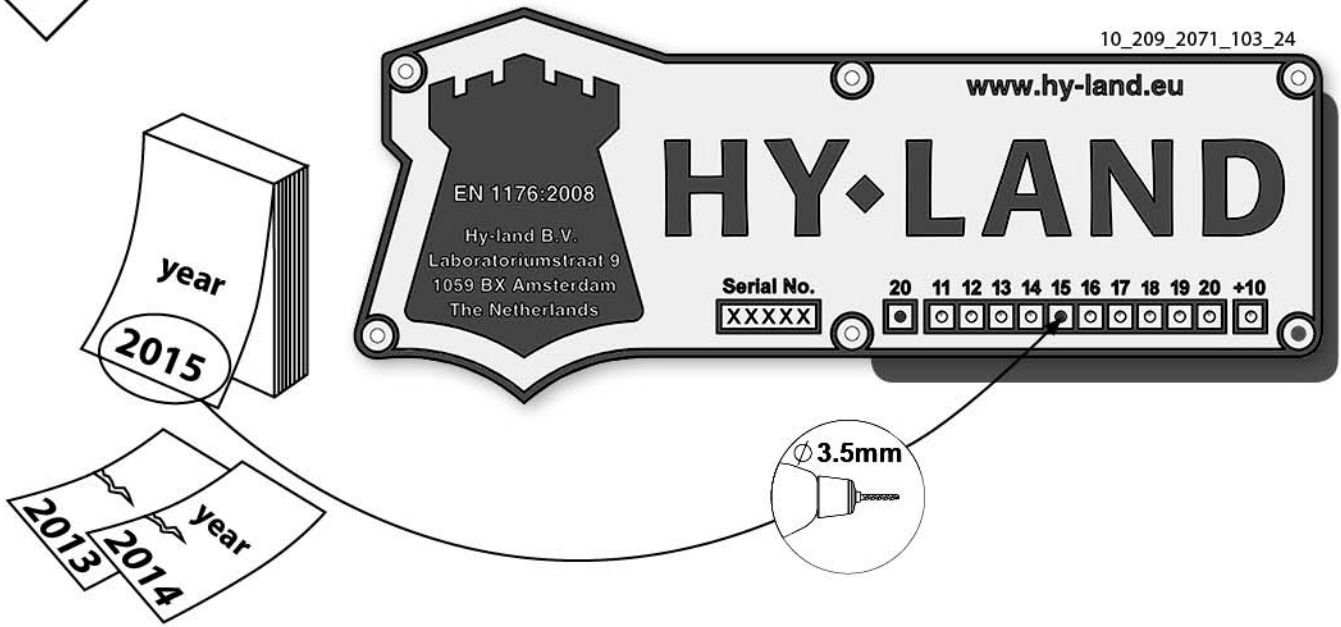
Name of authorized dealer: \_\_\_\_\_  
Address: \_\_\_\_\_  
Postal code: City: \_\_\_\_\_  
Country: \_\_\_\_\_  
Phone number: \_\_\_\_\_  
Date of delivery: \_\_\_\_\_  
Email: \_\_\_\_\_

HY-LAND® - www.hy-land.eu 2 HY-LAND® - www.hy-land.eu



12.2b

10\_209\_2071\_103\_24





Hy-land B.V.  
Valschermkade 18  
NL - 1059 CD Amsterdam  
The Netherlands

Tel : +31 85 444 41 01  
Email : [info@hy-land.eu](mailto:info@hy-land.eu)  
URL : [www.hy-land.eu](http://www.hy-land.eu)

Chamber of Commerce :  
NL 16.078.319

