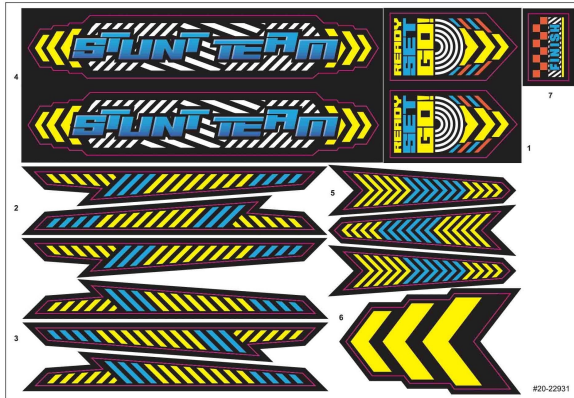
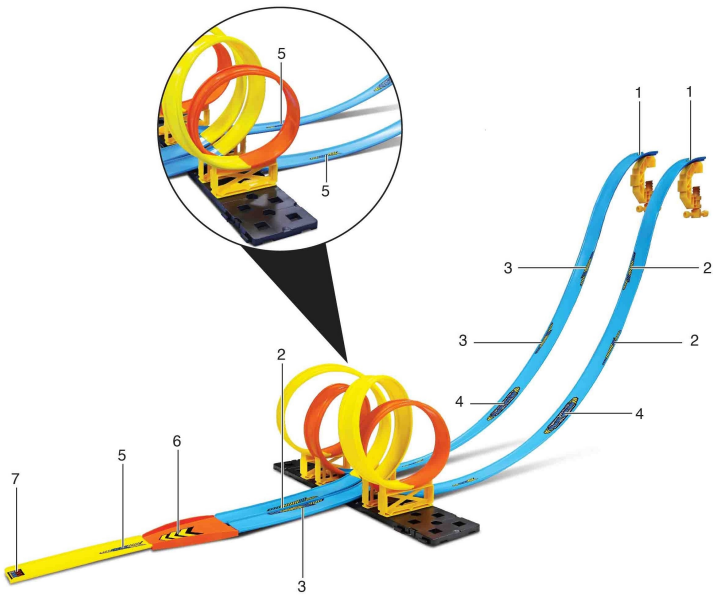
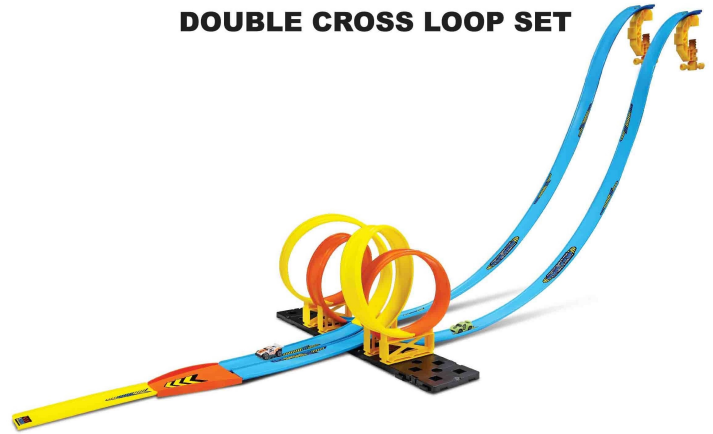




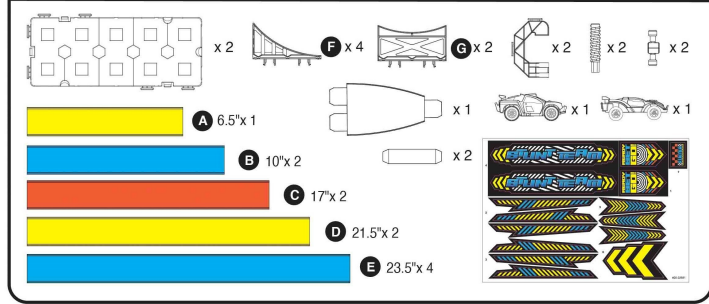
DOUBLE CROSS LOOP SET



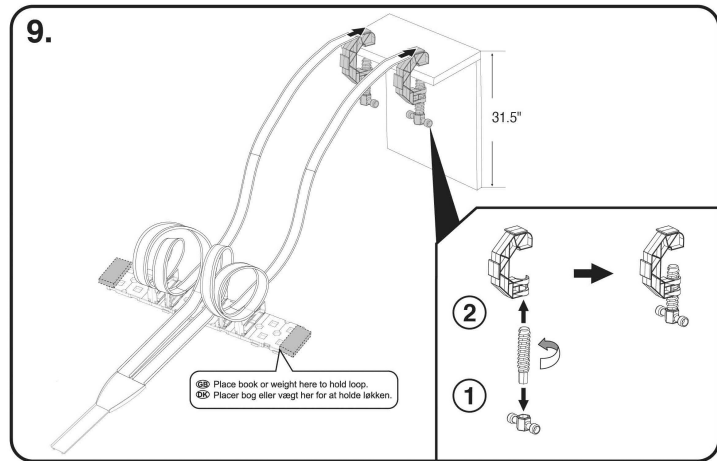
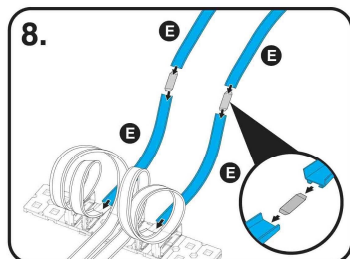
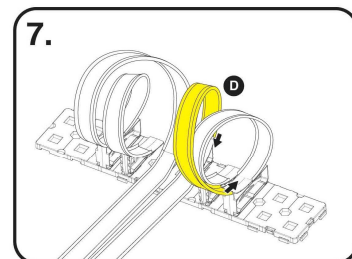
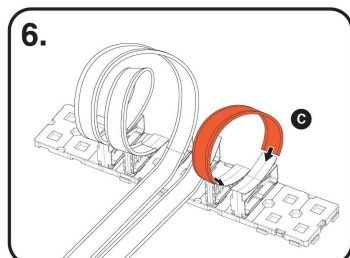
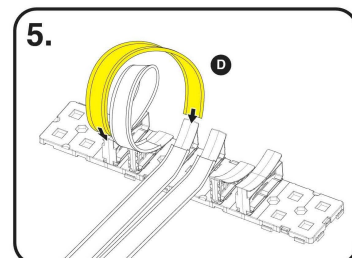
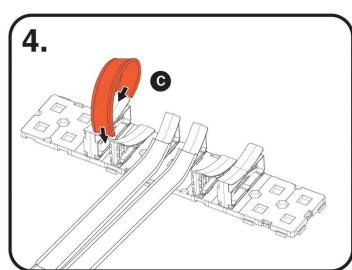
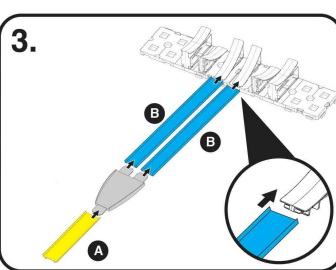
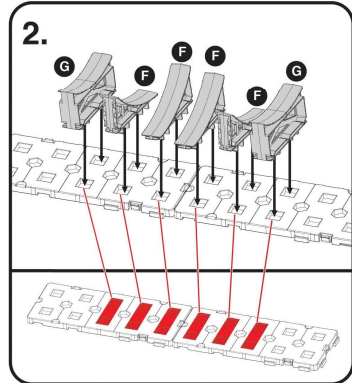
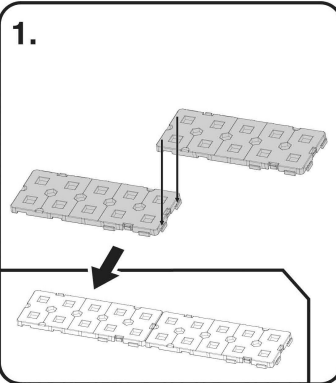
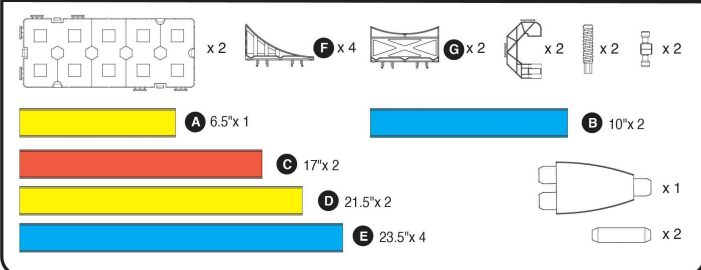
10739478

4

CONTENTS / INDHOLD



ASSEMBLY/ MONTAGE



2

3