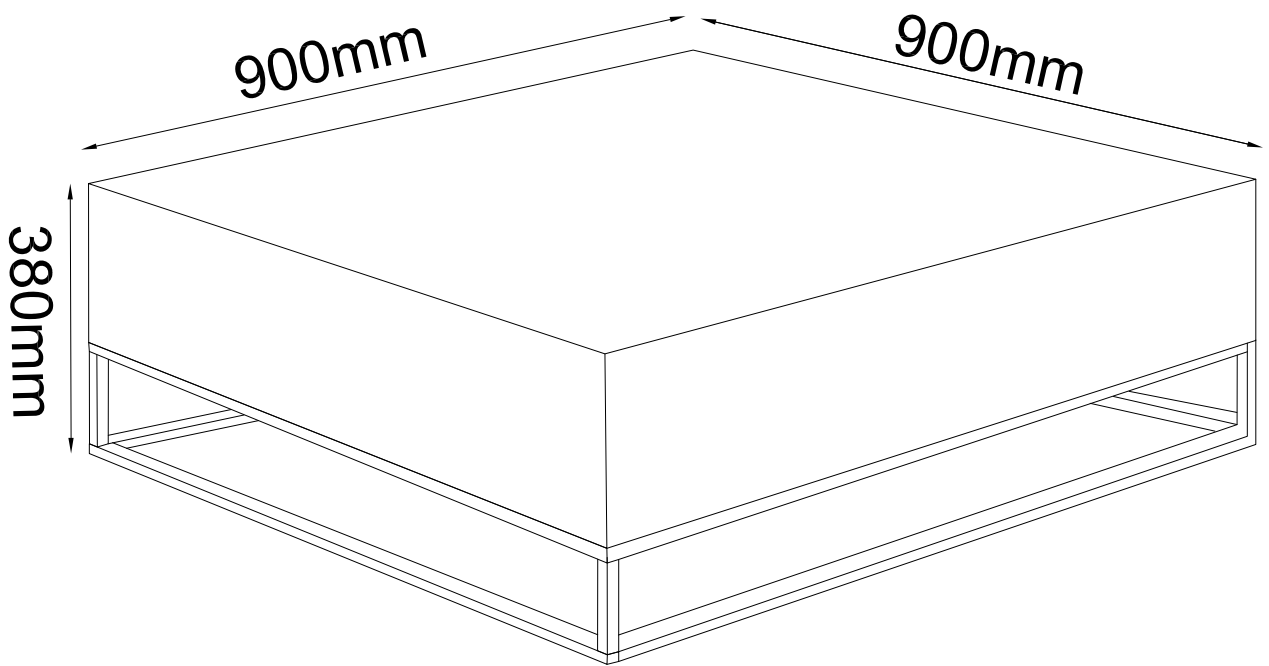

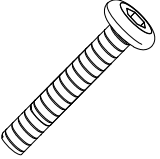


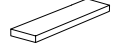
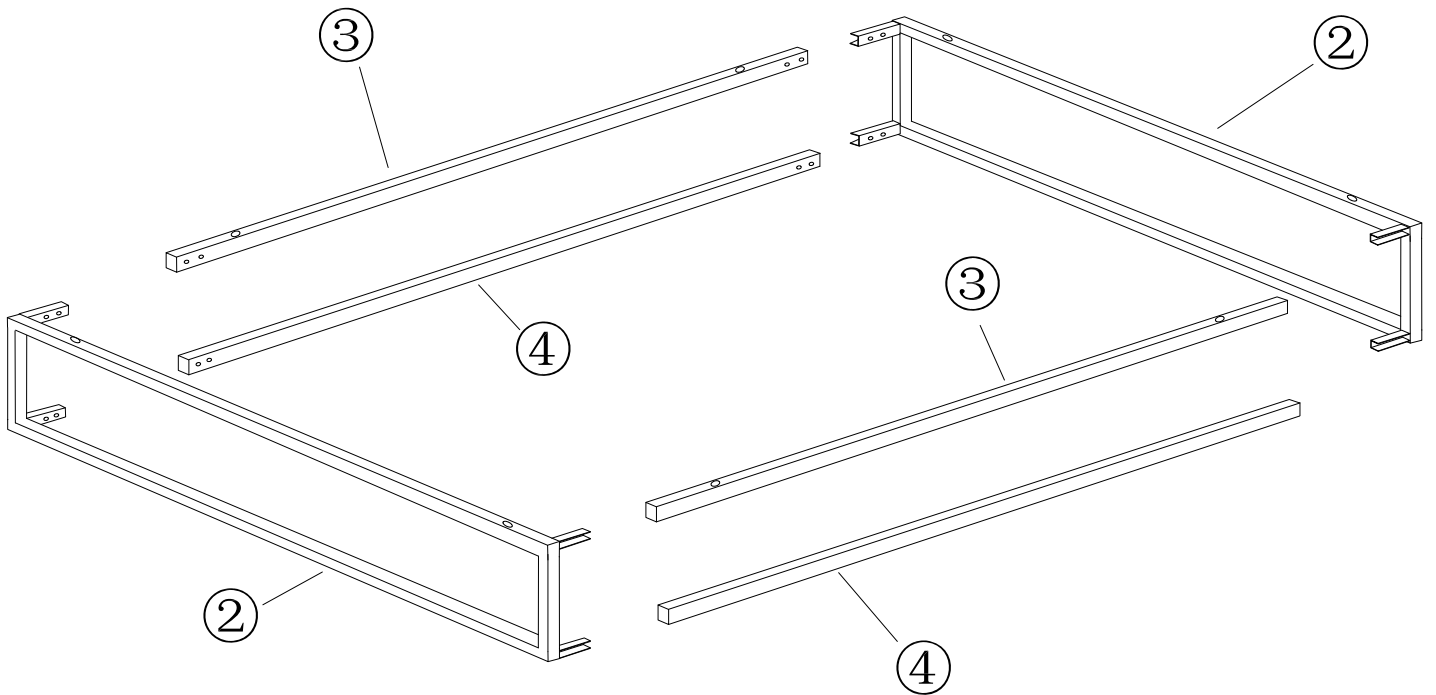
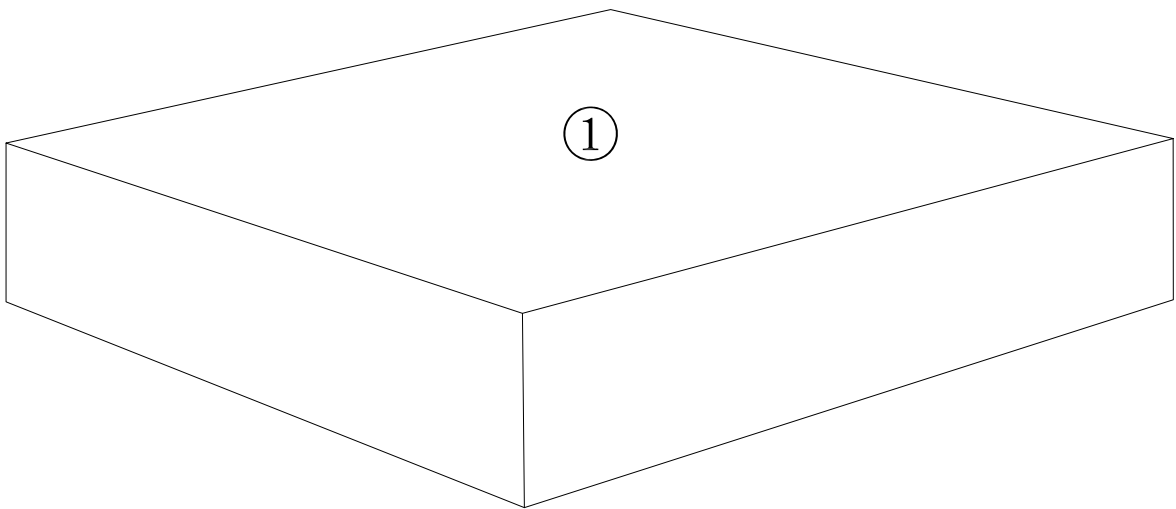




# 20-2020-118

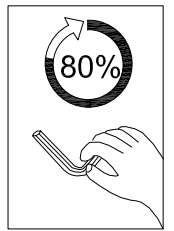
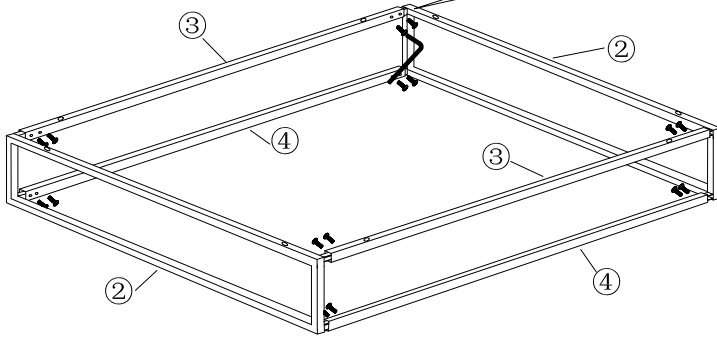
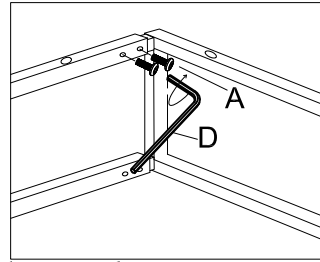


<p>A×16</p>  <p>M6×16mm</p>	<p>B×8</p>  <p>M6×40mm</p>	<p>C×8</p>  <p>Ø6×16mm</p>	<p>D×1</p>  <p>M5</p>	<p>E×8</p>  <p>10×30×2mm</p>
--	---	---	---	---






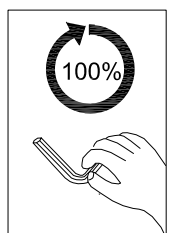
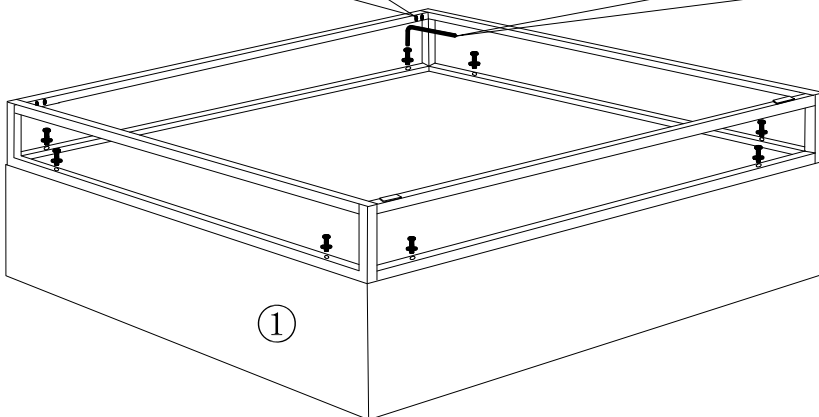
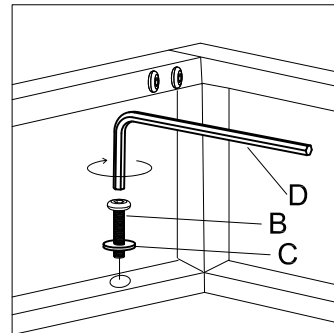
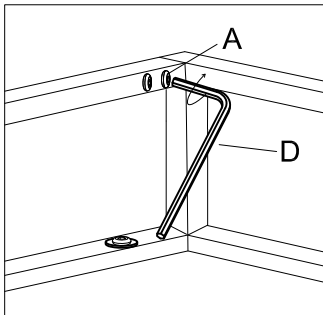
1

<b>A×16</b>  M6×16mm	<b>D×1</b>  M5
---	---



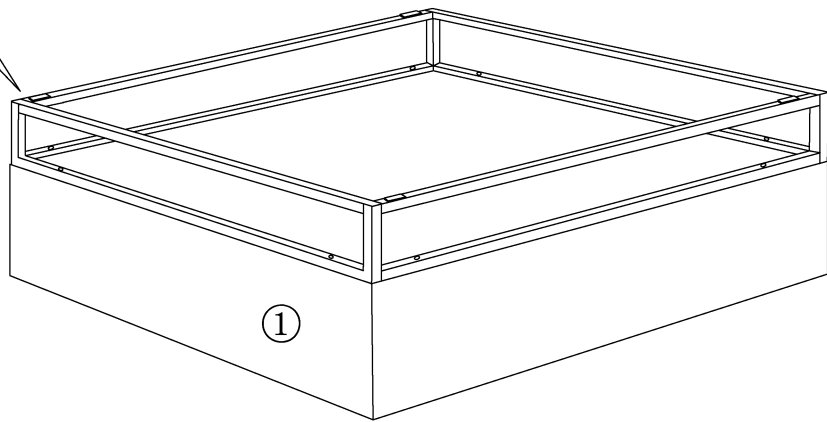
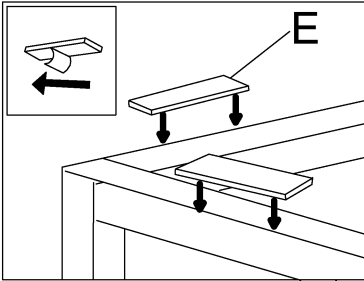
2

<b>B×8</b>  M6×40mm	<b>C×8</b>  Ø6×16mm	<b>D×1</b>  M5
--	--	---



3

E×8  
10x30x2mm



4

