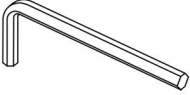
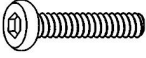

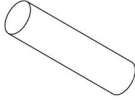





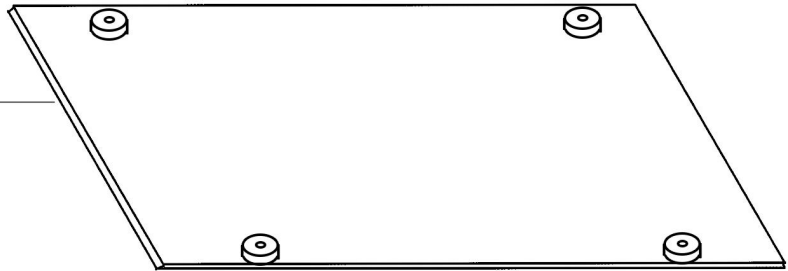


AX 1  M4	BX 4  M6 x 45mm	CX 4  M6 x 90mm	DX 8  Ø10x50mm	EX 4  M6-Ø10x12mm
FX 8  Ø10-Ø6.5x2mm	GX 8  Ø12-Ø6.5x1.5mm	HX 4  35x16x3mm	JX 8  Ø20mm	

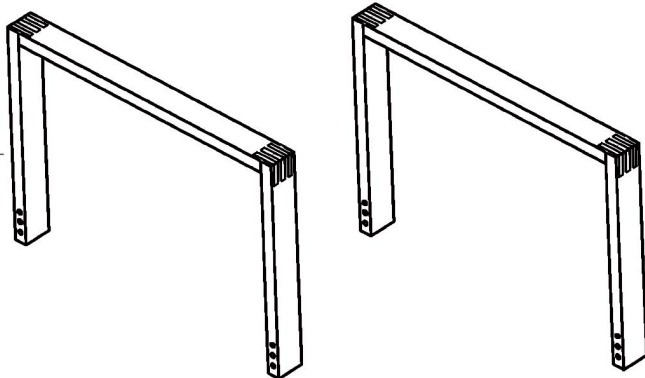
1







2

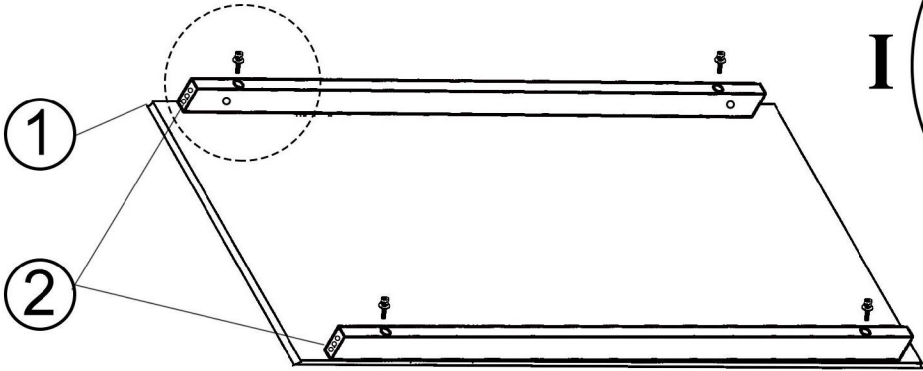


3

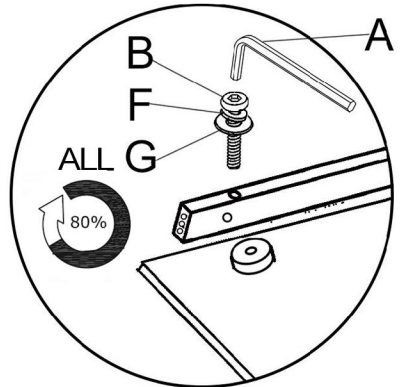


1

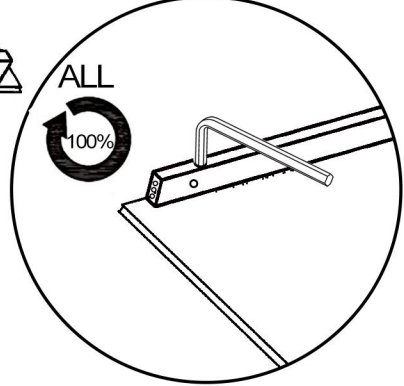
AX 1  M4	B X 4  M6 x 45mm	FX 4  Ø10-Ø6.5x2mm	G X 4  Ø12-Ø6.5x1.5mm
---	---	---	--



I

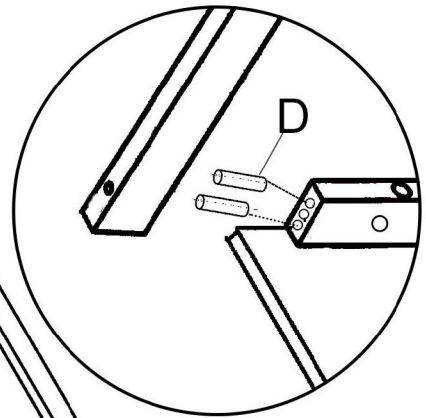
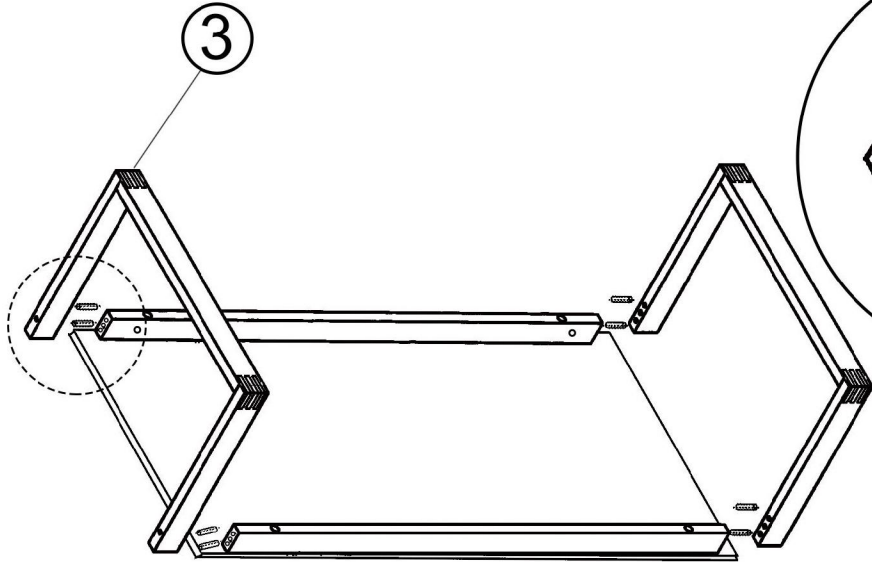


II






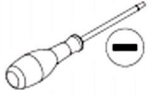


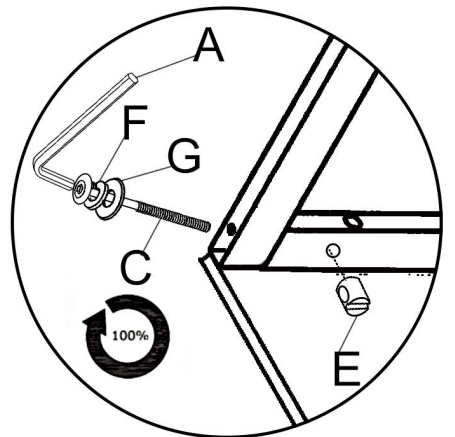
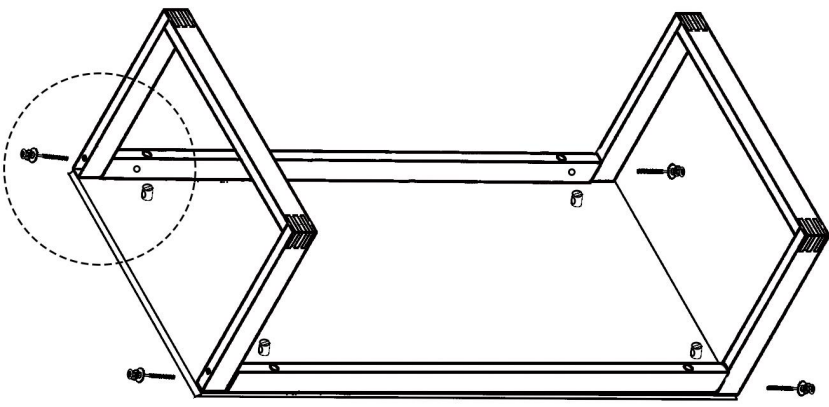
2

DX 8  Ø10x50mm	
---	--



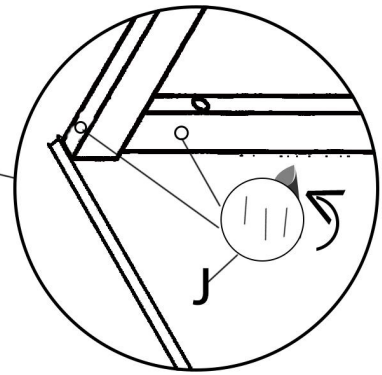
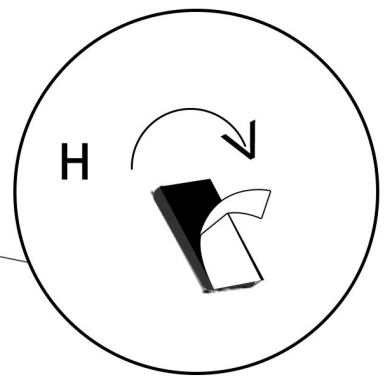
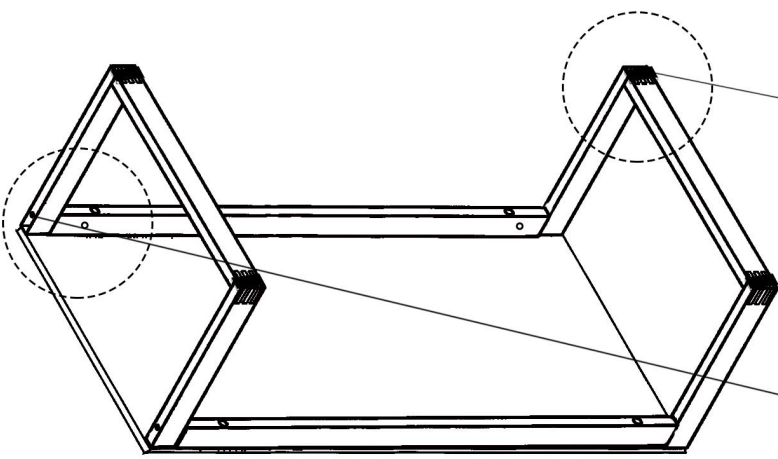
3

<p>A X 1</p>  <p>M4</p>	<p>C X 4</p>  <p>M6 x 90mm</p>	<p>E X 4</p>  <p>M6-Ø10x12mm</p>	<p>F X 4</p>  <p>Ø10-Ø6.5x2mm</p>	<p>G X 4</p>  <p>Ø12-Ø6.5x1.5mm</p>	
--	---	--	--	---	--



4

<p>H X 4</p>  <p>35x16x3mm</p>	<p>J X 8</p>  <p>Ø20mm</p>	
---	---	--



5

