

HISTORICAL COLLECTION

WORLD WAR II



HMS BELFAST

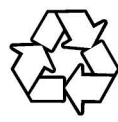
PLACE OF ORIGIN - UNITED KINGDOM
 IN SERVICE - 1939 - 1963
 TYPE - TOWN-CLASS LIGHT CRUISER
 MOTTO - PRO TANTO QUID RETRIBUAMAS
 (LATIN: FOR SO MUCH, HOW SHALL WE REPAY?)
 LAUNCHED - 17 MARCH 1938
 COMMISSIONED - 5 AUGUST 1939
 DECOMMISSIONED - 24 AUGUST 1963
 FATE - MUSEUM SHIP SINCE 21 OCTOBER 1971
 DISPLACEMENT - 11553t (25,470,007LB)
 LENGTH - 186,99m (613' 6") OVERALL
 BEAM: 21m (69')
 DRAUGHT - 6,02m (19' 9")
 PROPULSION - FOUR ADMIRALTY OIL-FIRED 3-DRUM
 BOILERS FOUR PARSONS SINGLE REDUCTION
 GEARED STEAM TURBINES DRIVING FOUR SHAFTS
 AT 80,000_{SHIP} (65621 KW)
 SPEED - 32KNOTS (59KM/H, 36.6MPH)
 ARMAMENT (1959) - TWELVE (4x3) 6-INCH MK XXIII
 EIGHT (4x2) QF 4-INCH (101,6MM) MK XVI HA/LA
 TWELVE (6x2) QF 40MM BOFORS AA
 ARMOUR - 4.5" (114 MM) DECK 3" (76MM)
 COMPLEMENT - 750 - 850 (AS FLAGSHIP)



4844

Printed in EU

PAD PRINTED
NO STICKERS



WARNING: CHOKING HAZARD-
Toy contains small parts.
Not for children under 3 years.

1517

HMS BELFAST

SCALE **1:300**



+



+

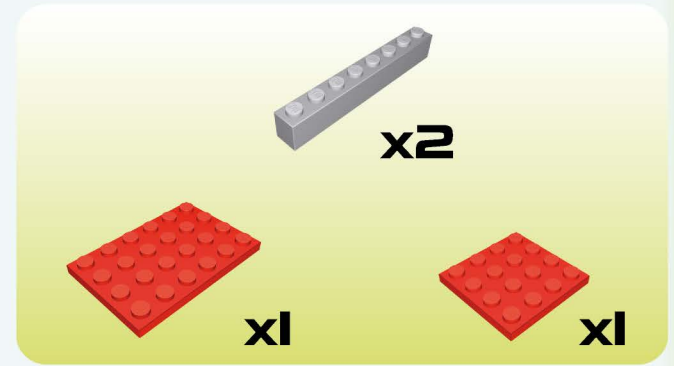
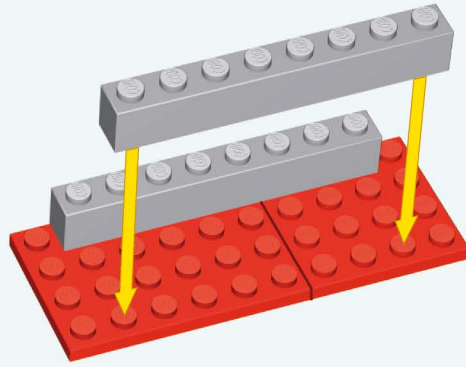


BE CAREFUL: NOTICE THE DIFFERENCE

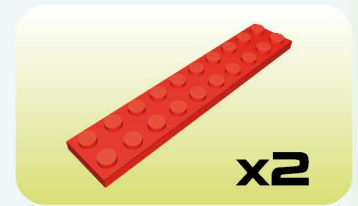
UWAGA: RÓŻNE KLOCKI



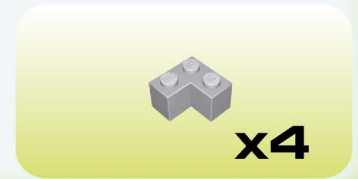
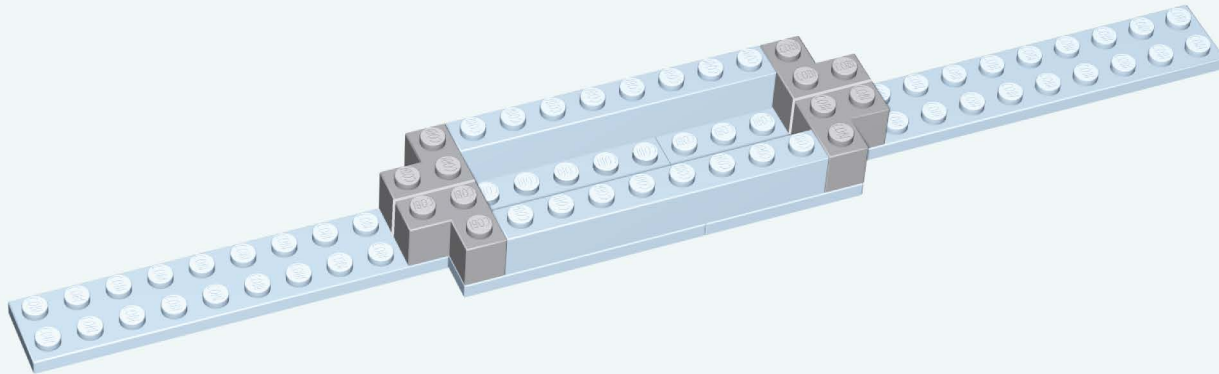
1



2



3



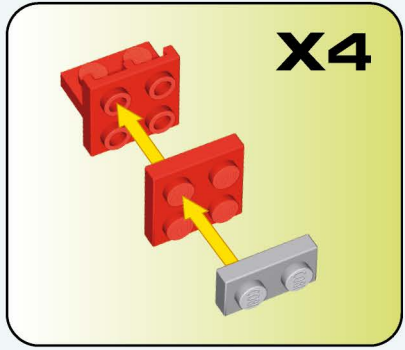
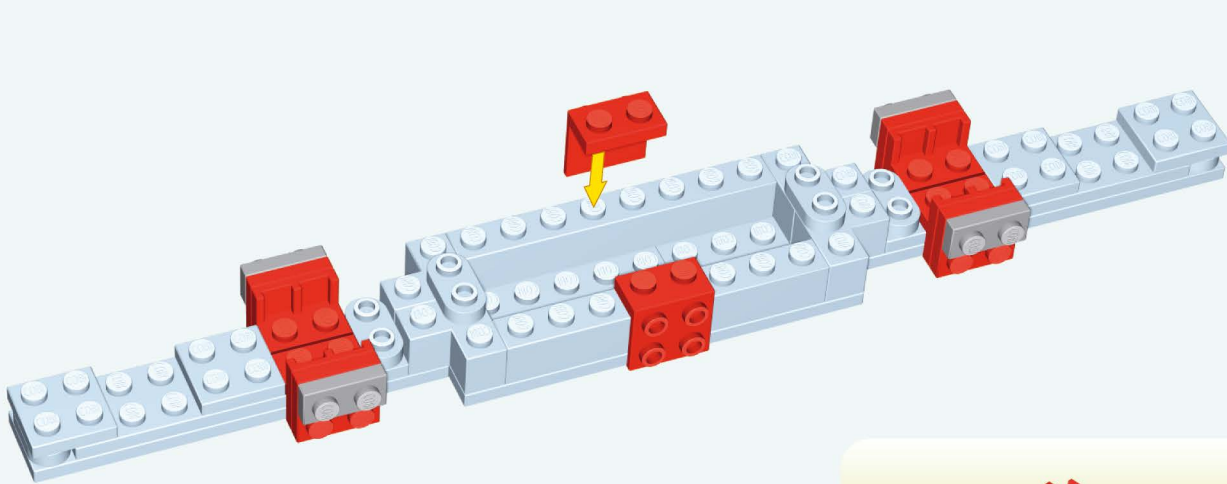
4



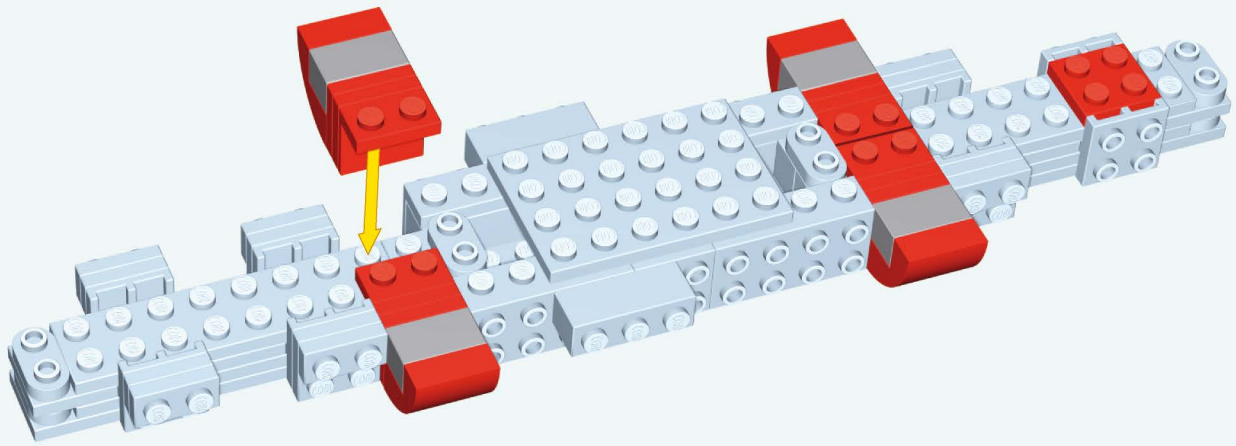
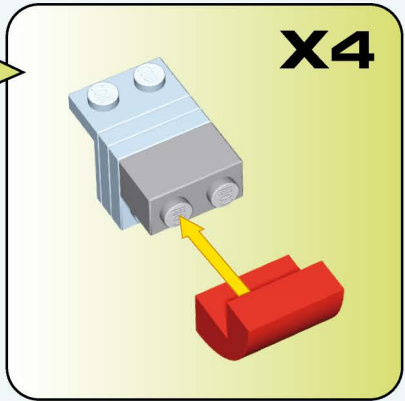
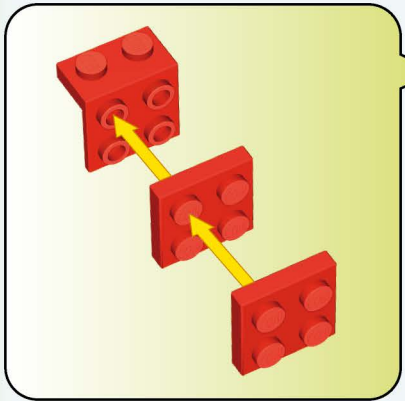
5



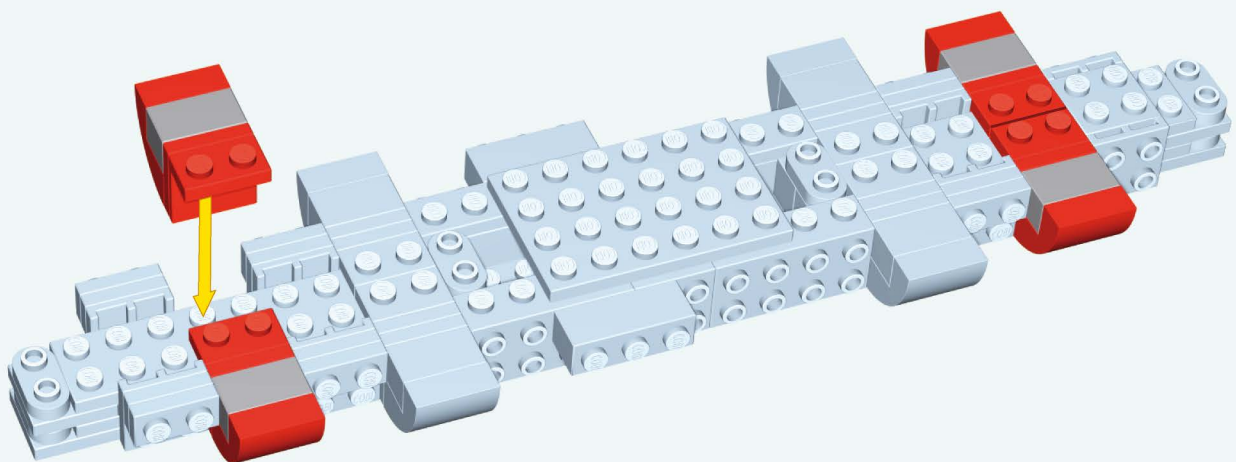
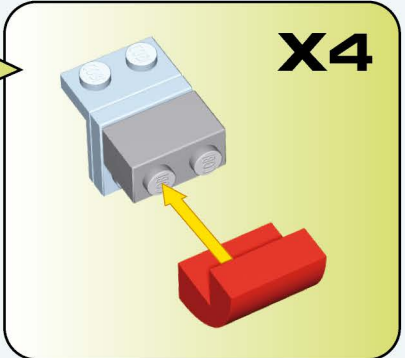
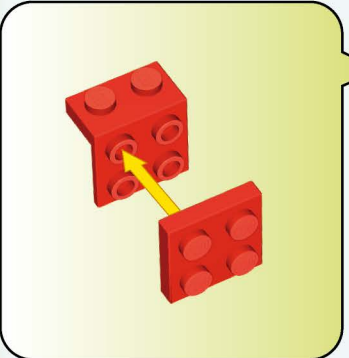
6



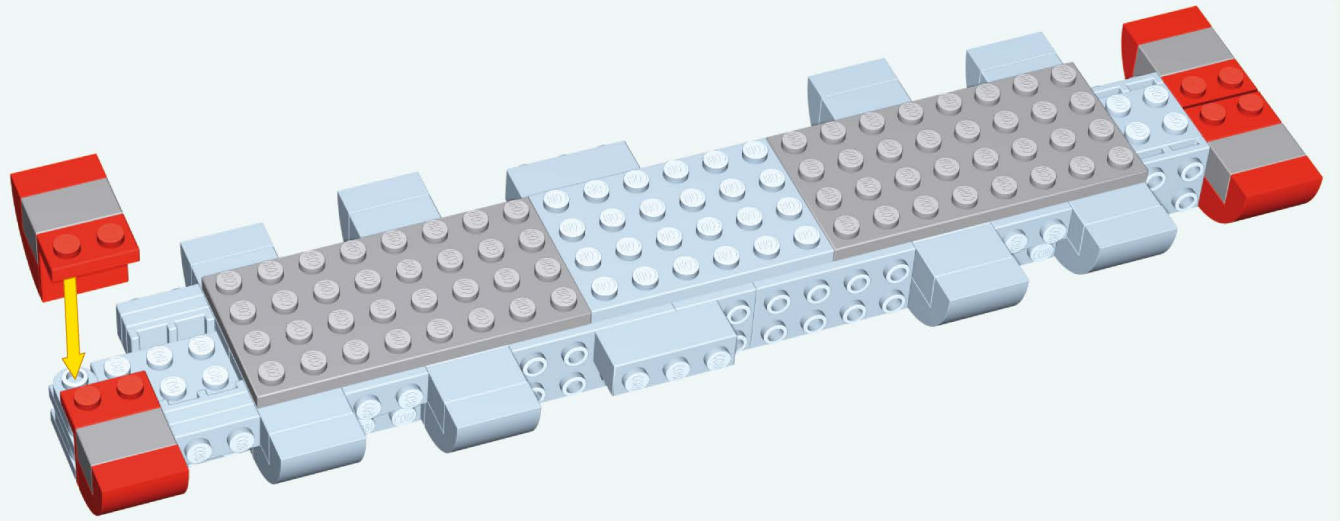
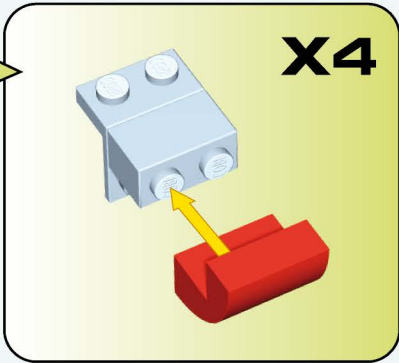
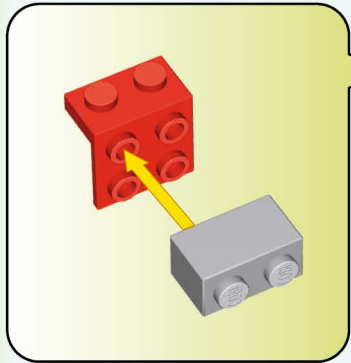
10



11



12



x4



x4

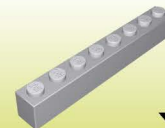
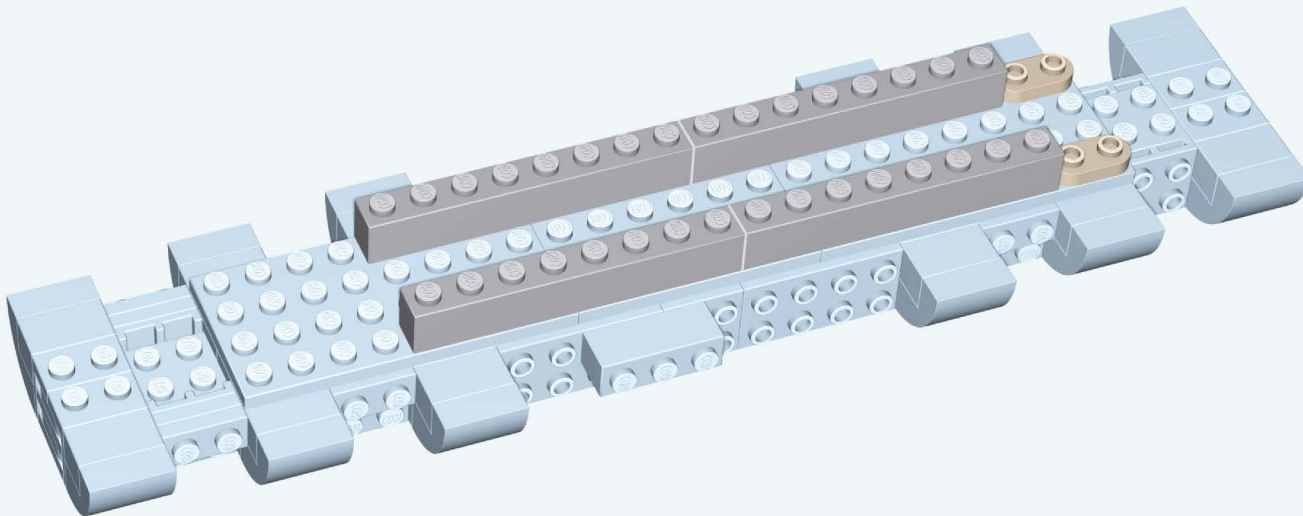


x4



x2

13

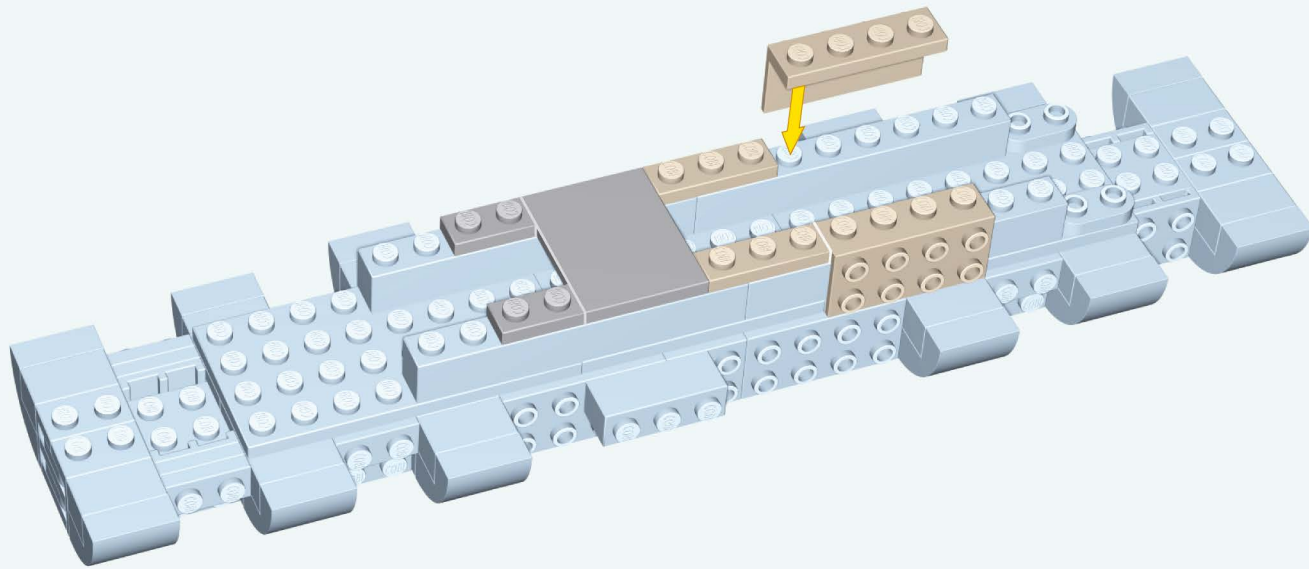



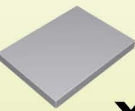


x4



x2




14



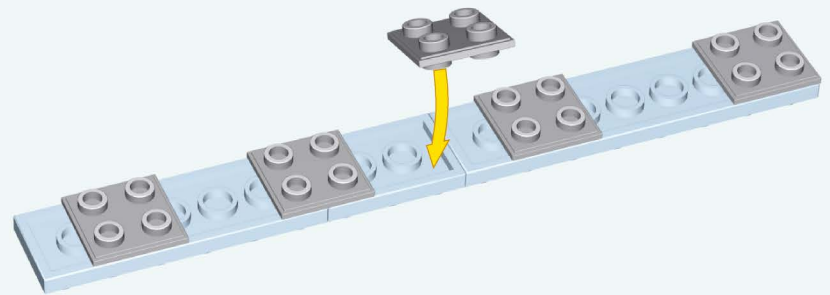
-  x2
-  x1
-  x2
-  x2


15



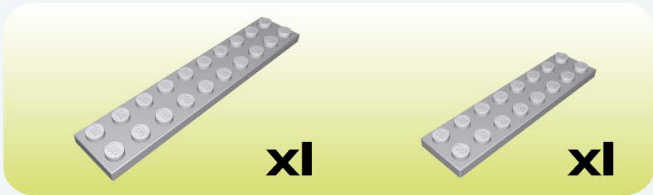
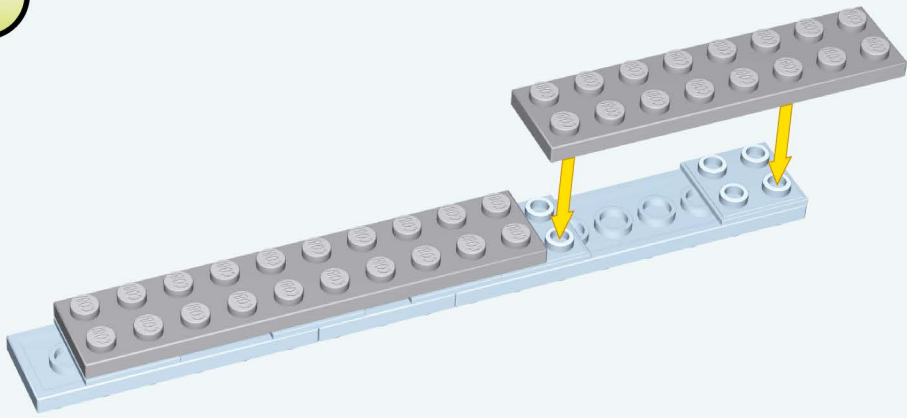
-  x1
-  x1
-  x1

16



-  x5

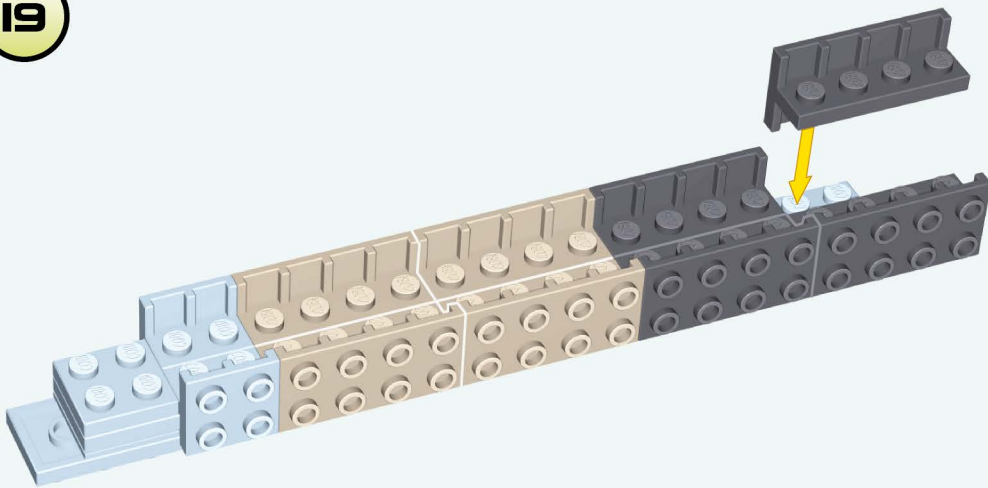
17



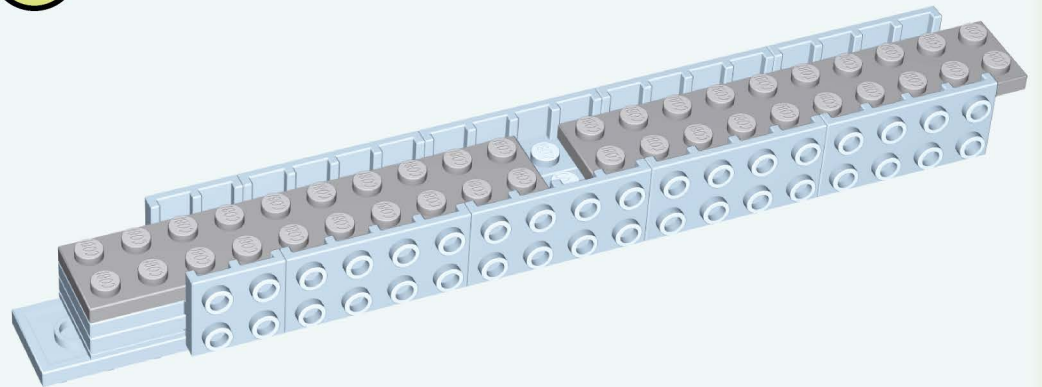
18



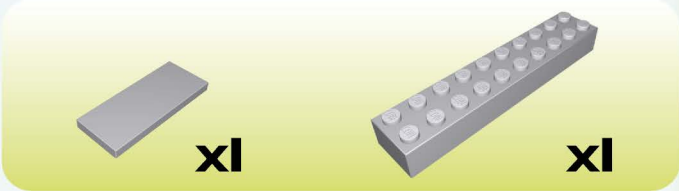
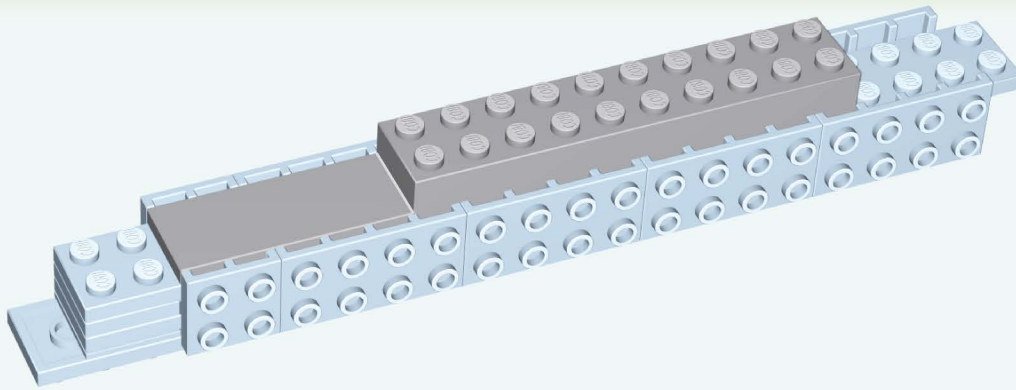
19



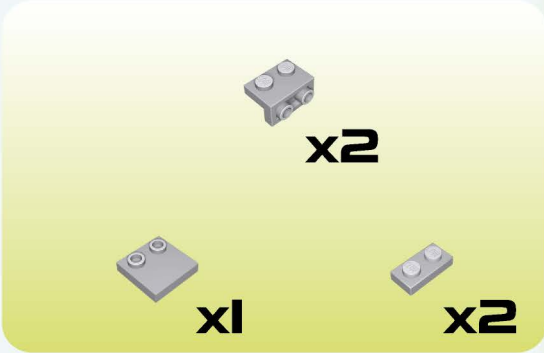
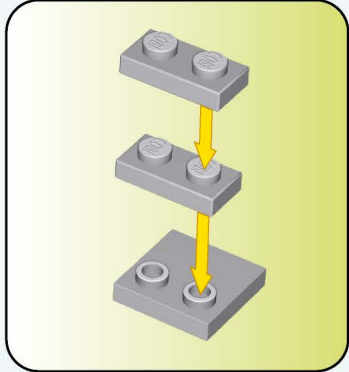
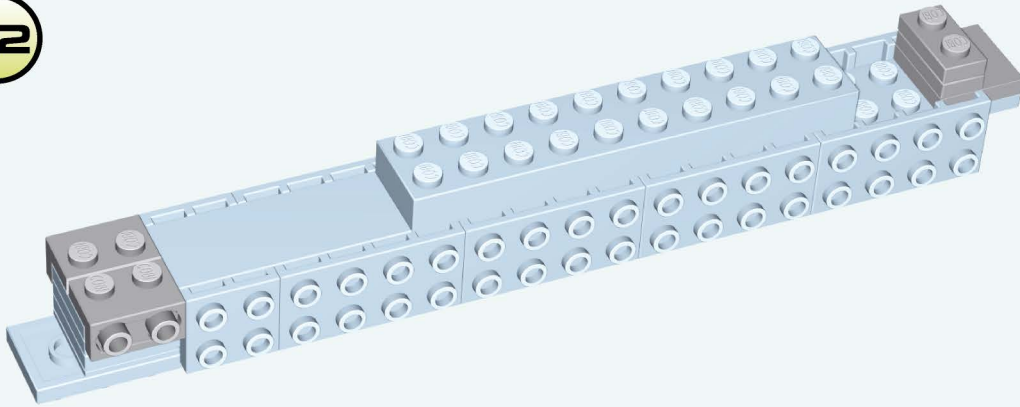
20



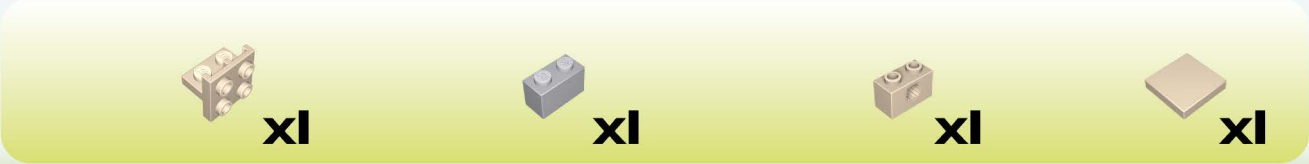
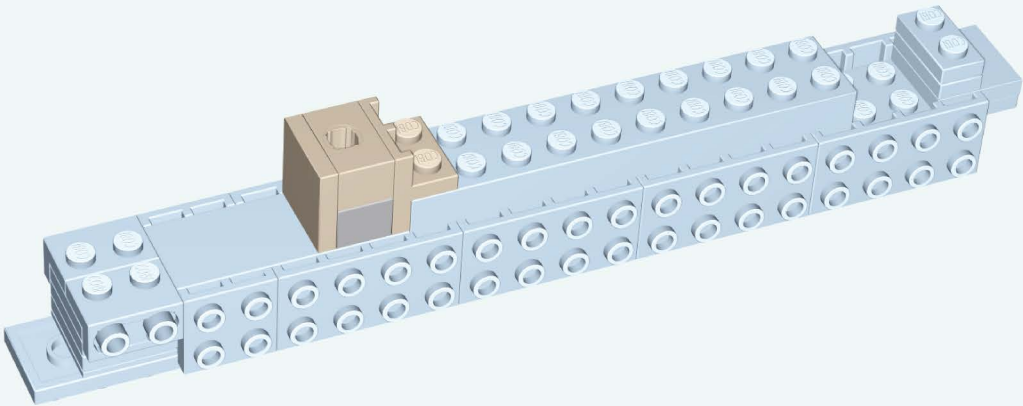
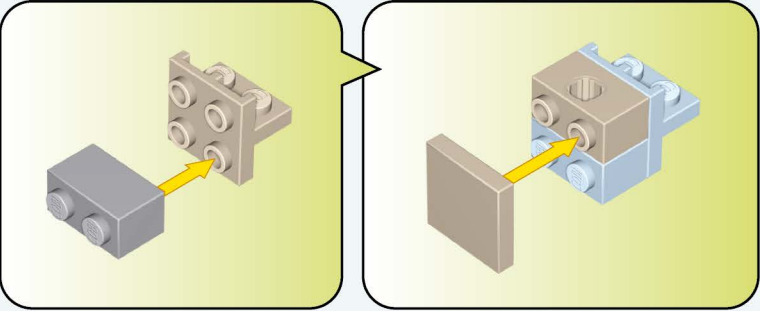
21



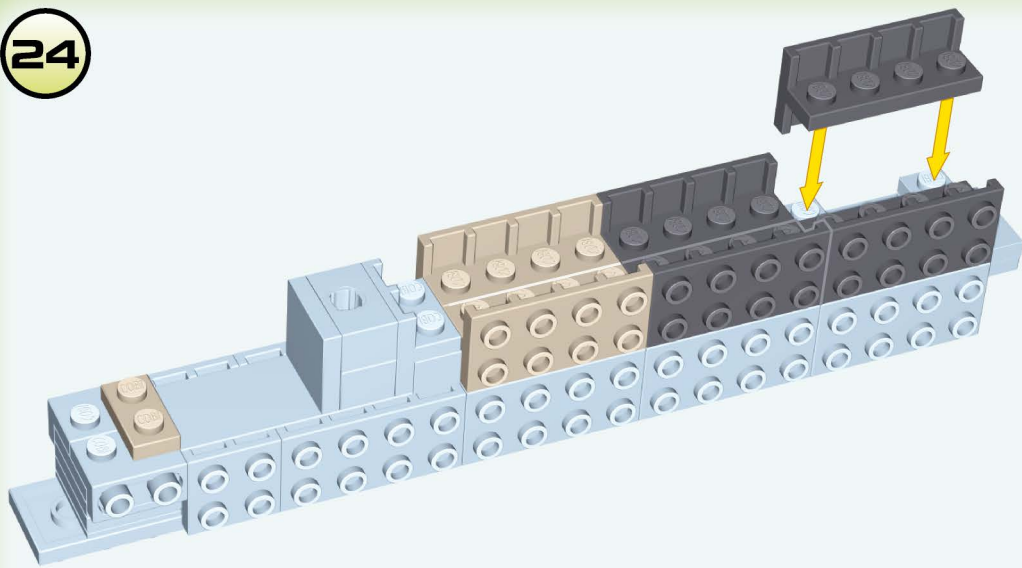
22



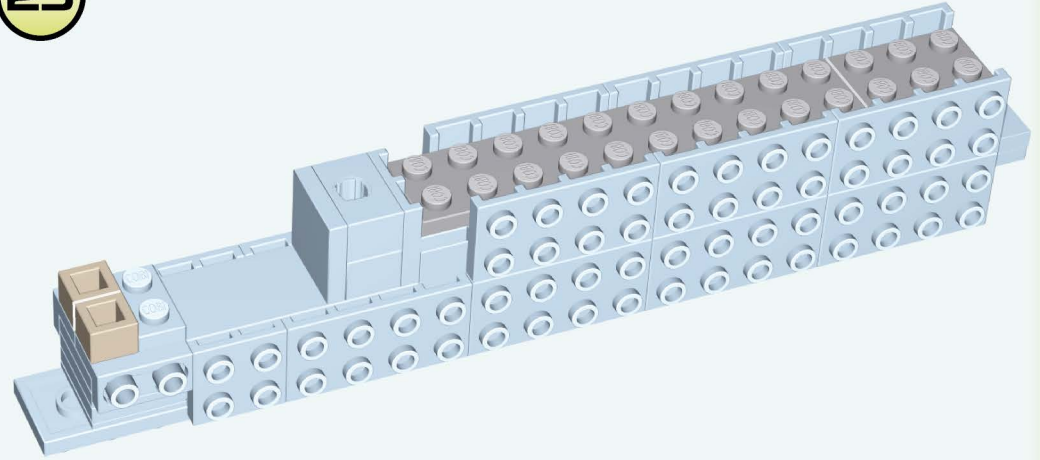
23



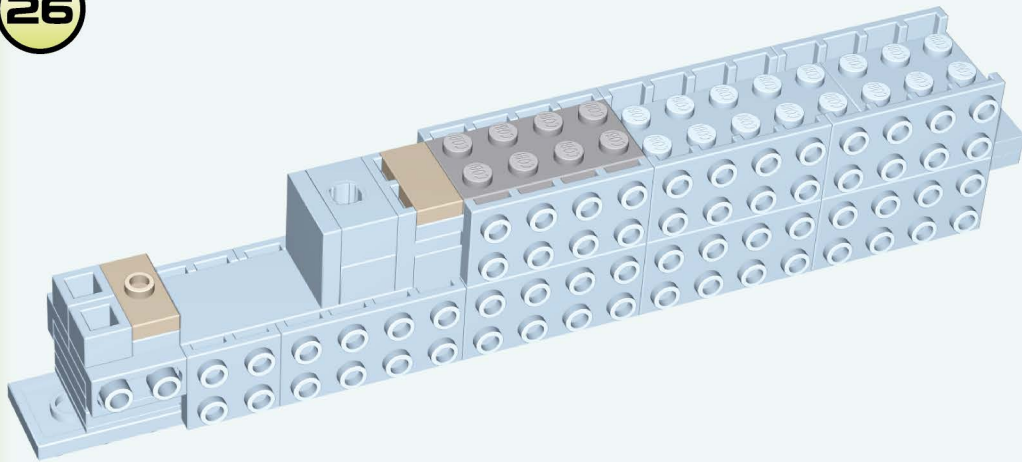
24



25



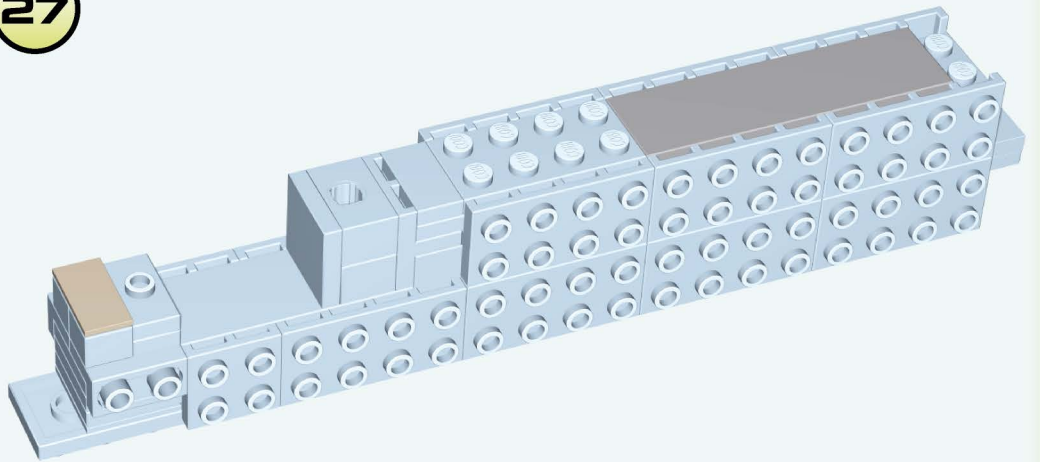
26



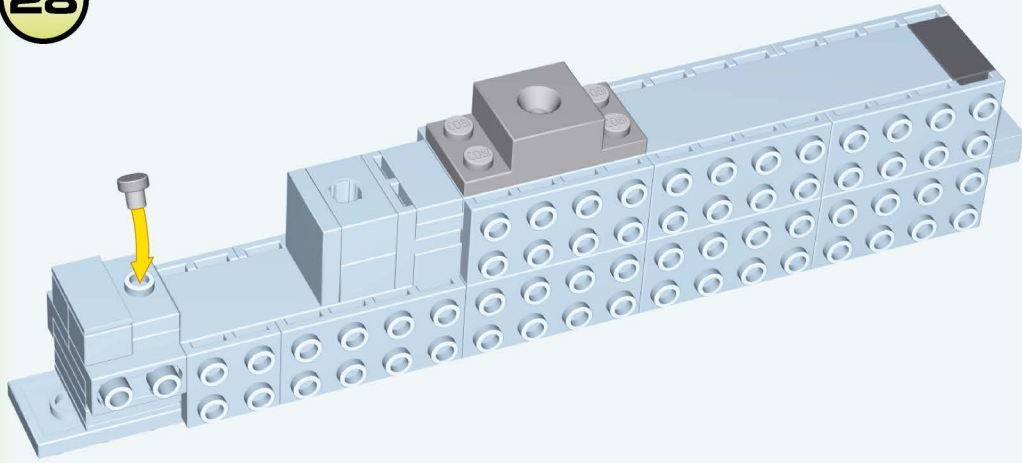
1:1



27



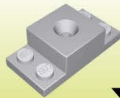
28



1:1



x1

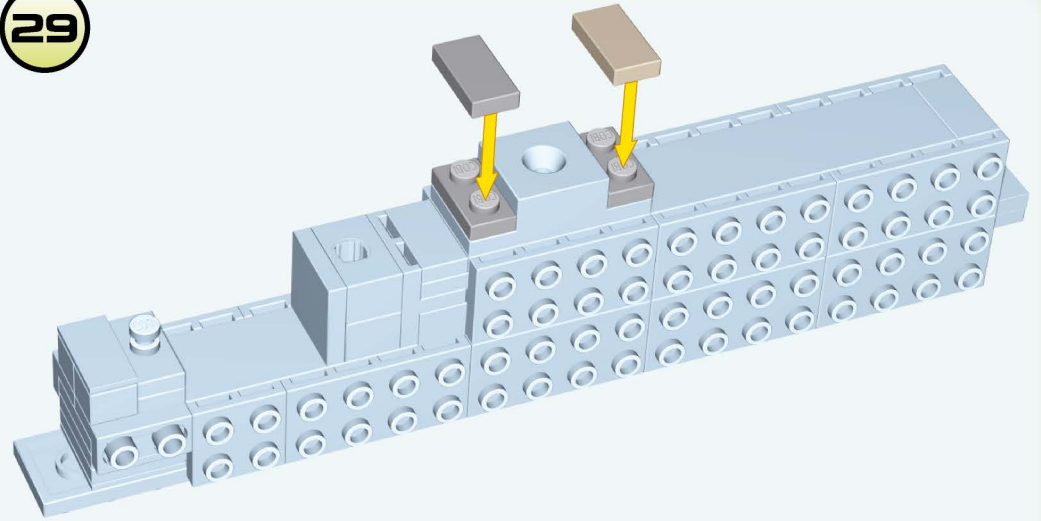


x1



x1

29



1:1

1:1



x2

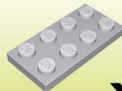
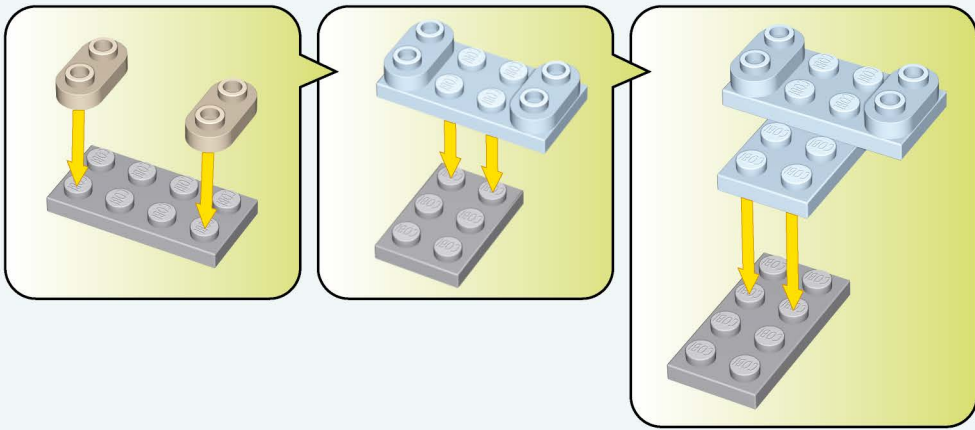


x1



x1

30



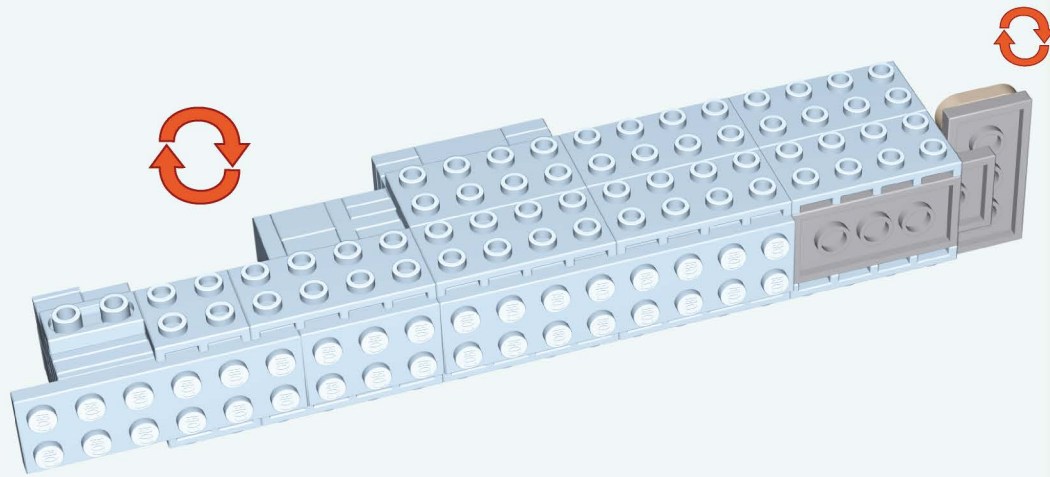
x2



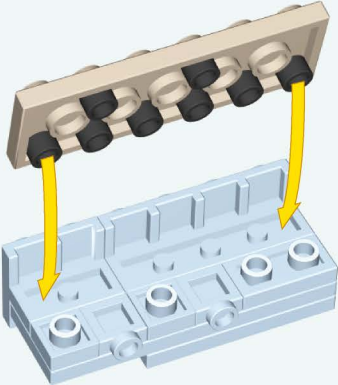
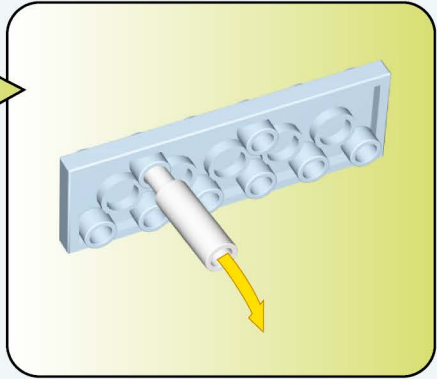
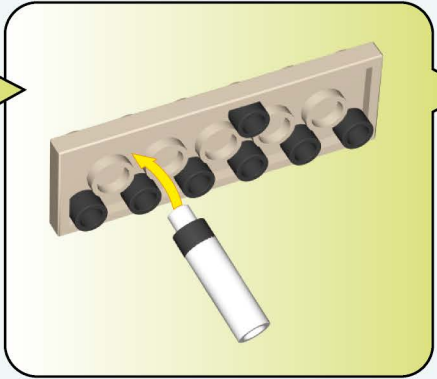
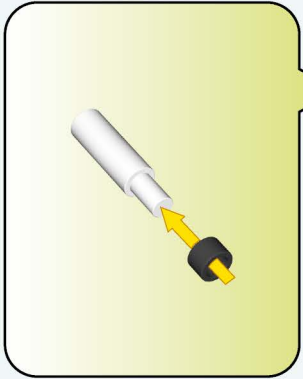
x2



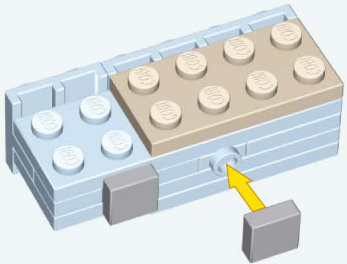
x1



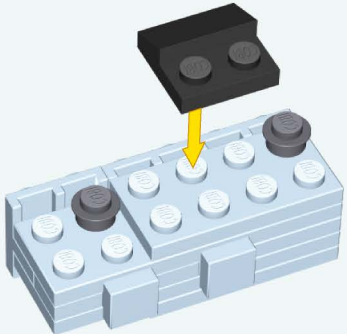
36



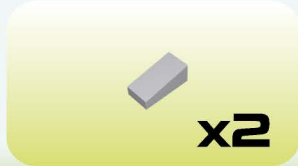
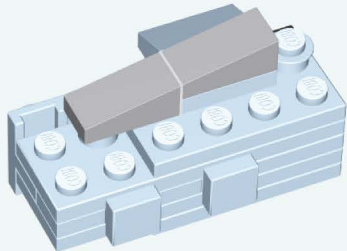
37



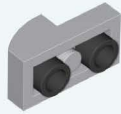
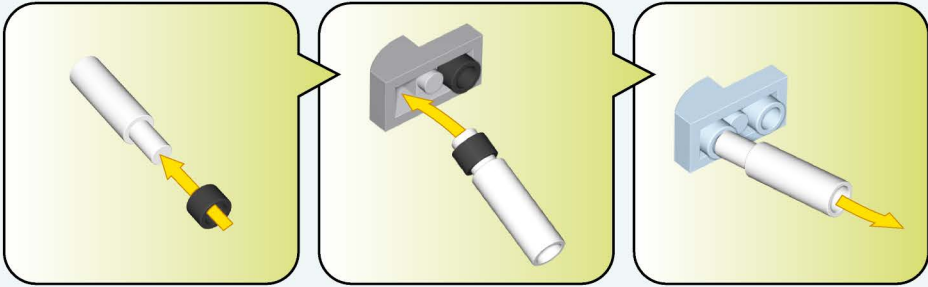
38



39



40

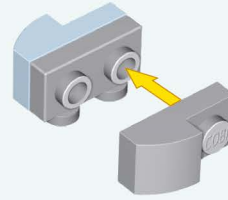


x1



x2

41

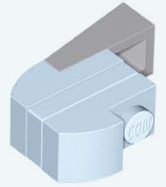


x1



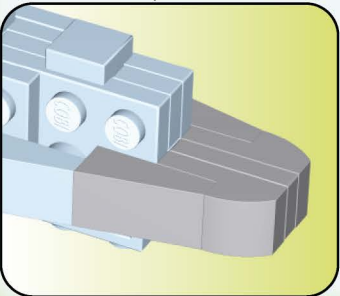
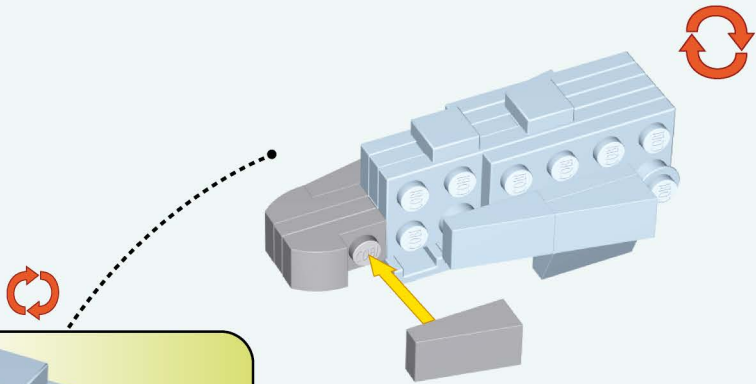
x1

42



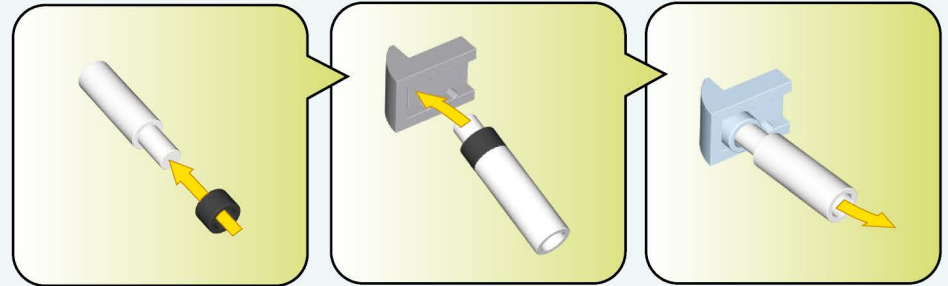
x1

43



x1

44

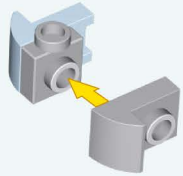


x1



x1

45

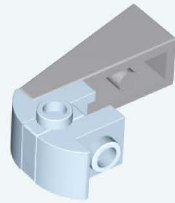


x1



x1

46

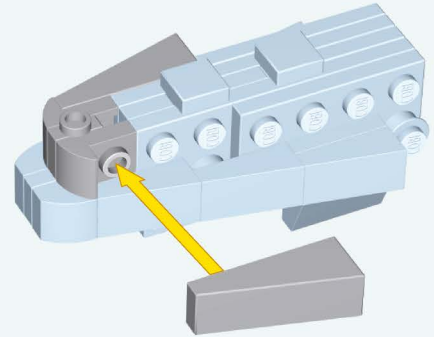


E



x1

47

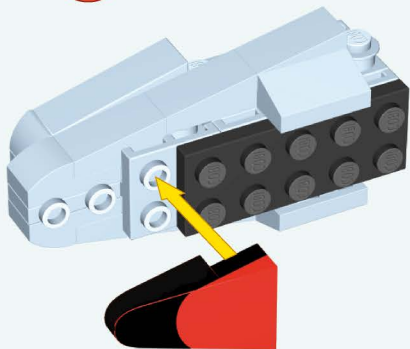


E



x1

48

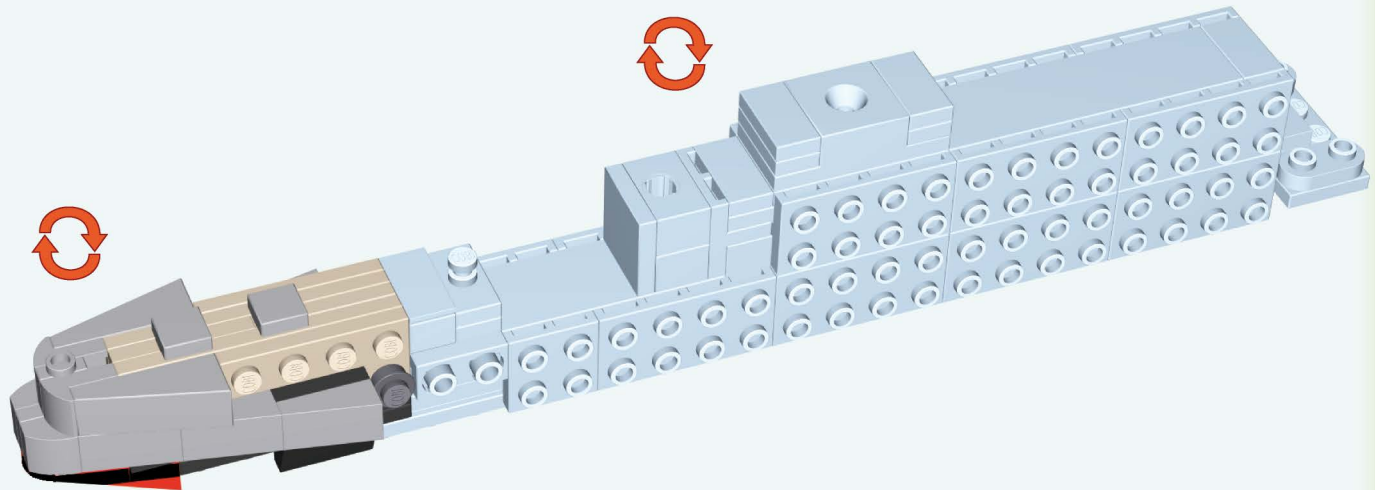


x1

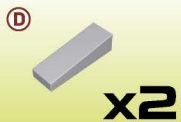
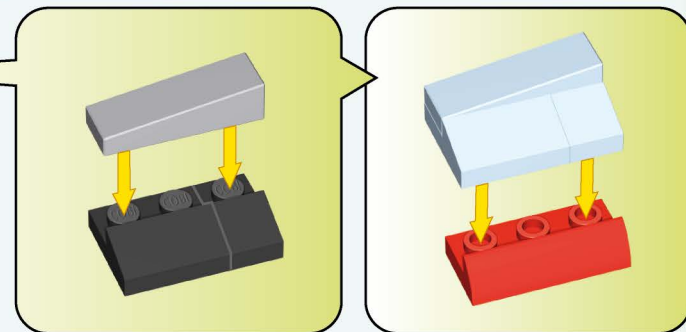
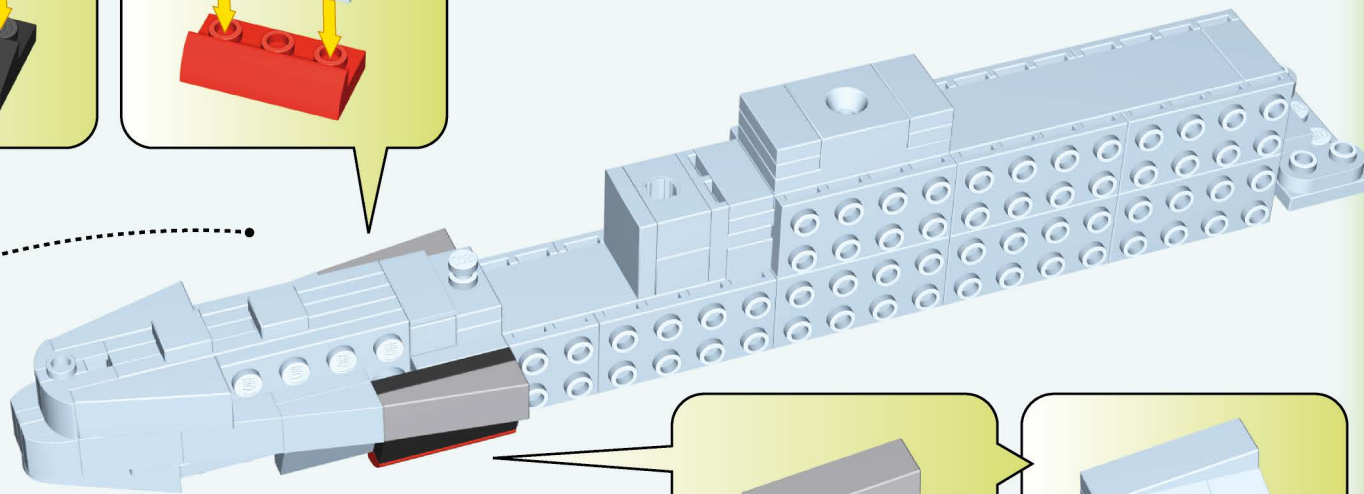
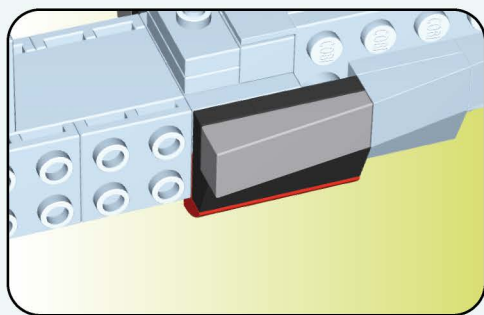
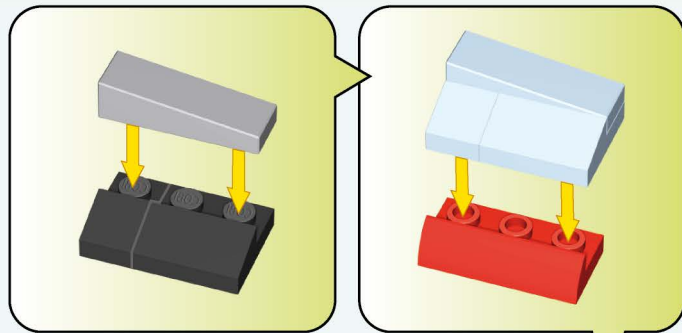


x1

49

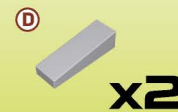
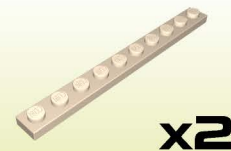
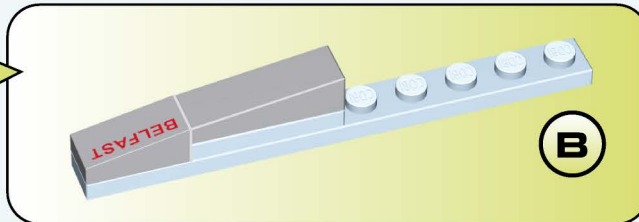
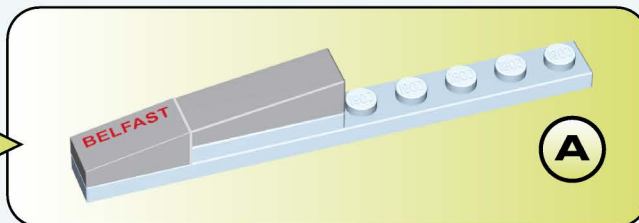


50

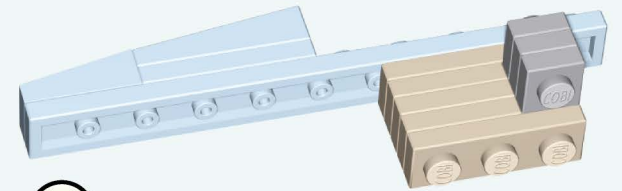
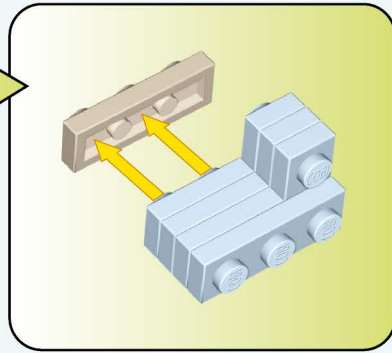
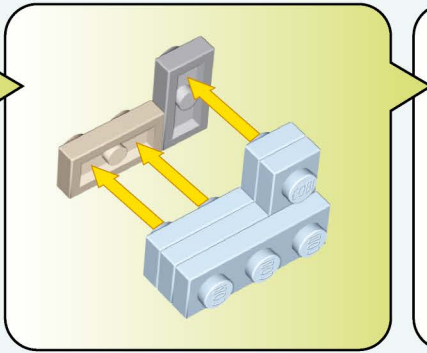
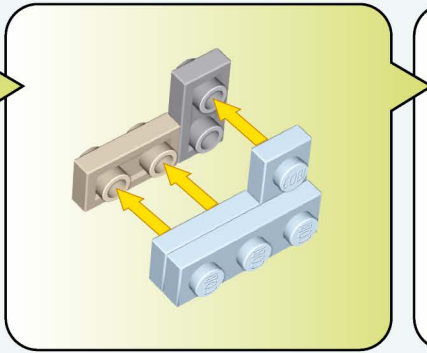
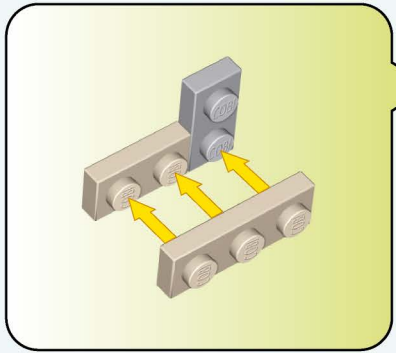


51

x2



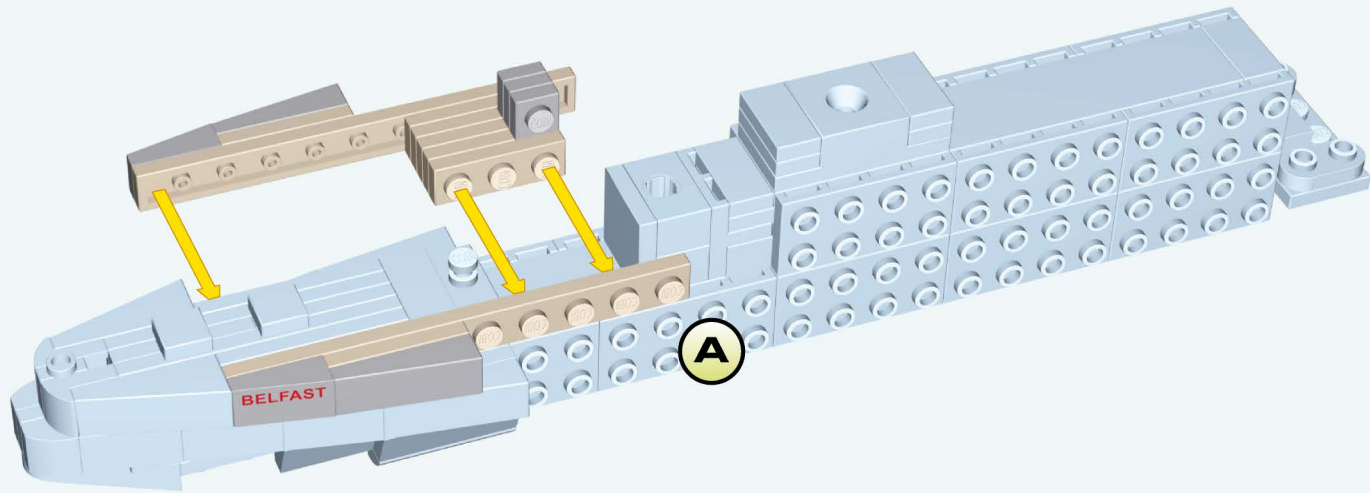
52



B

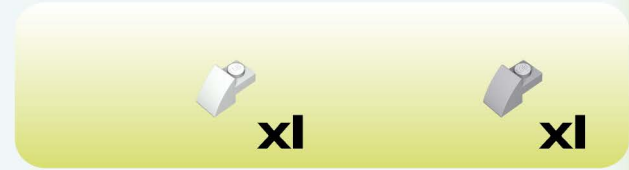
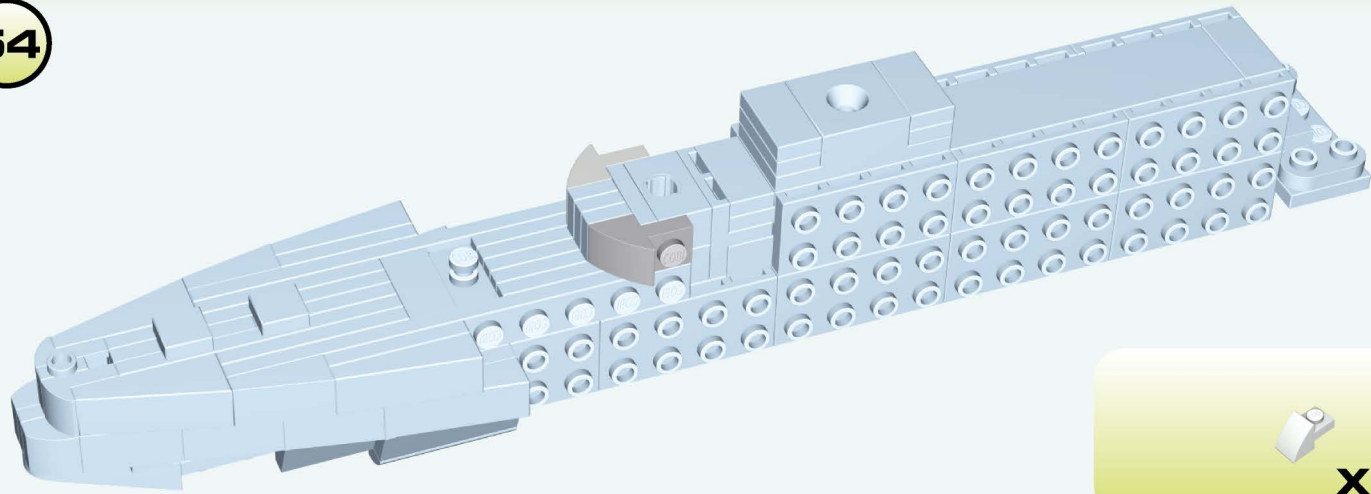


53

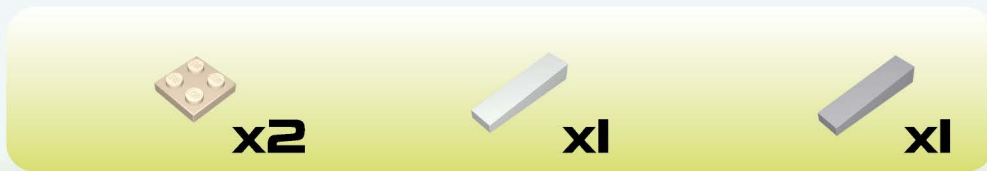
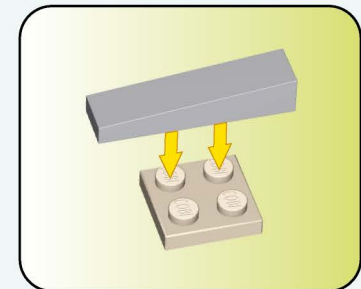
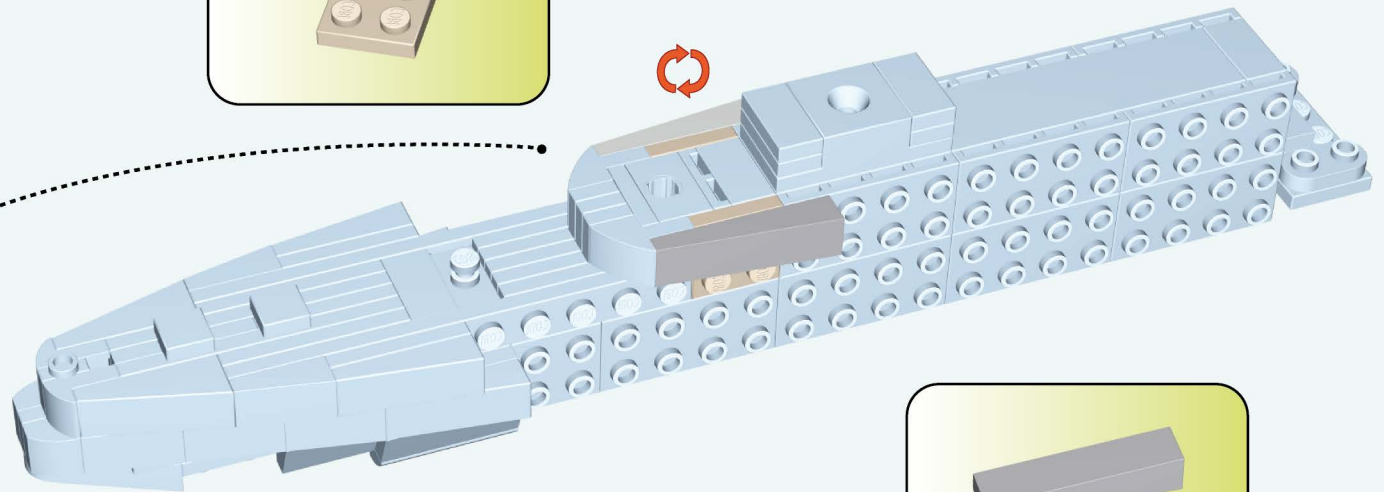
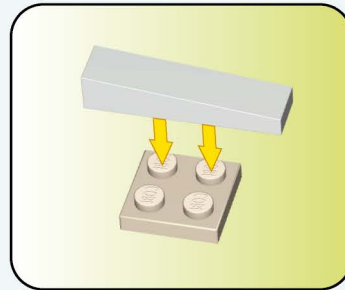
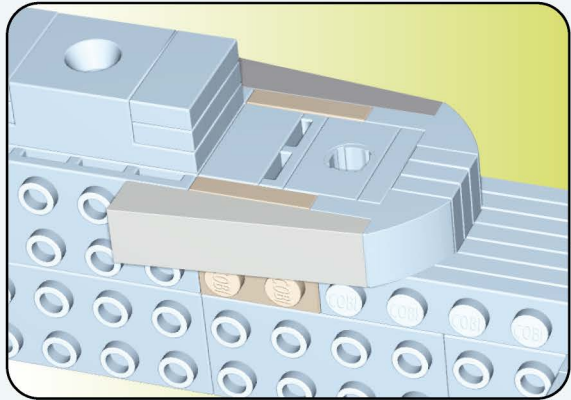




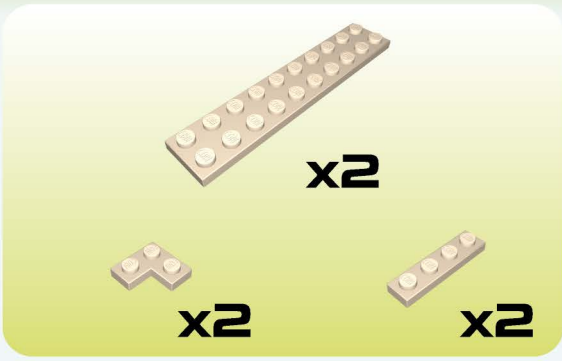
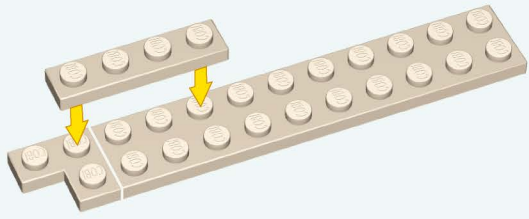
54



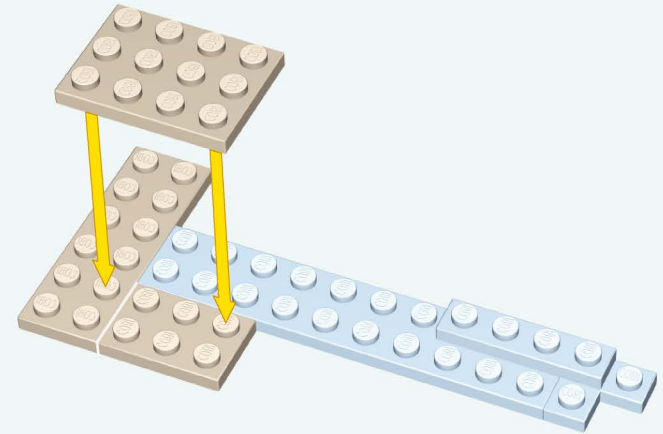
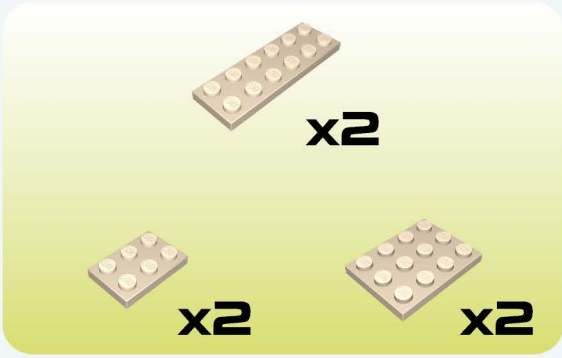
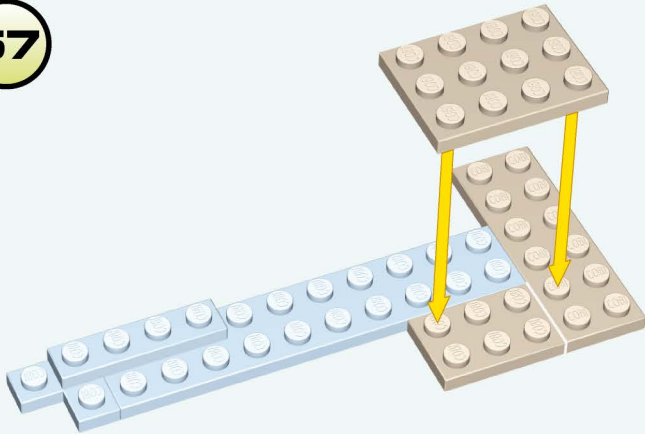
55



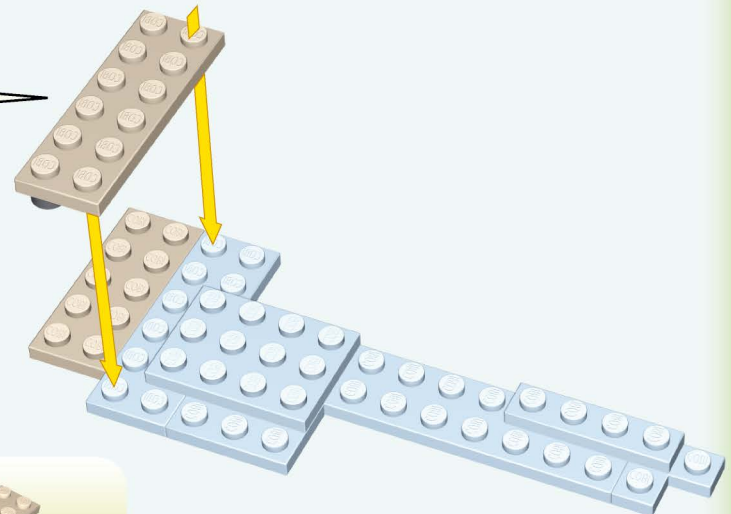
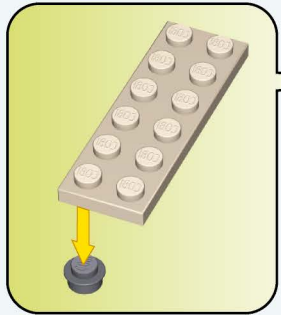
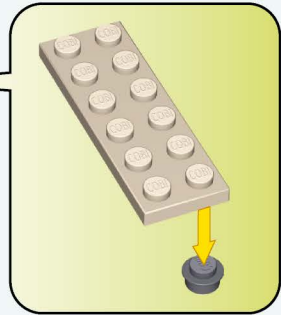
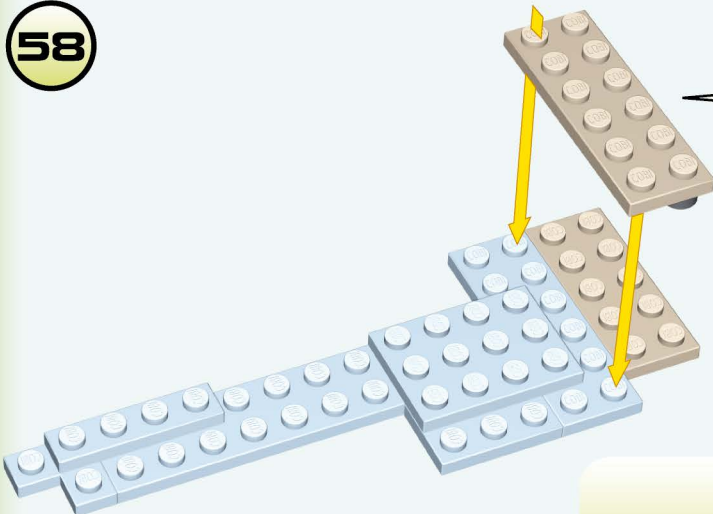
56



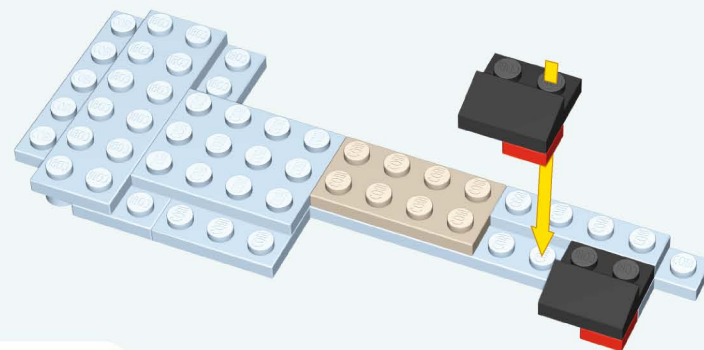
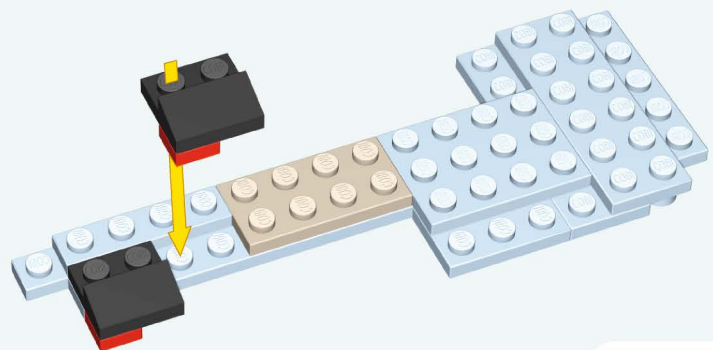
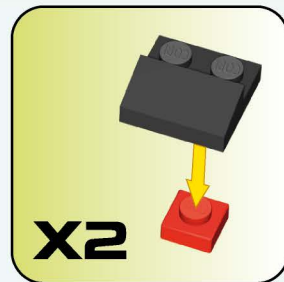
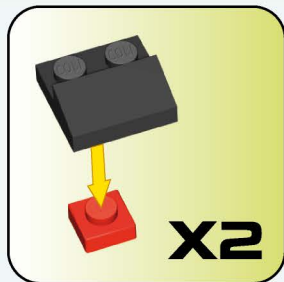
57



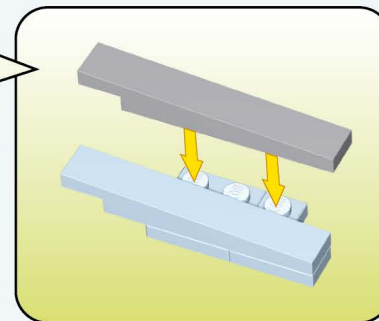
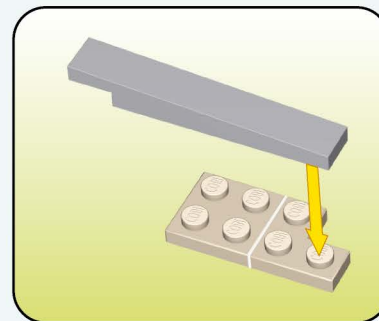
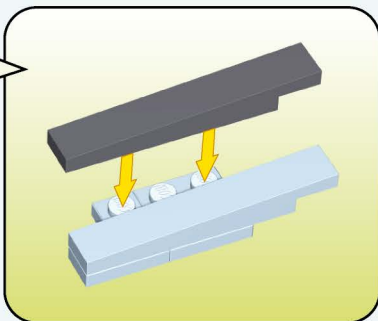
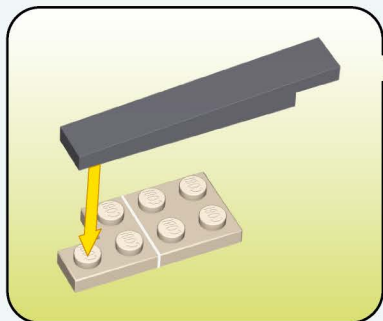
58



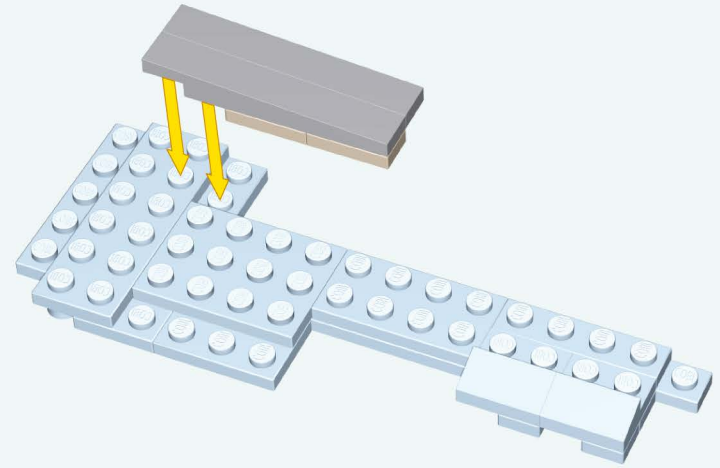
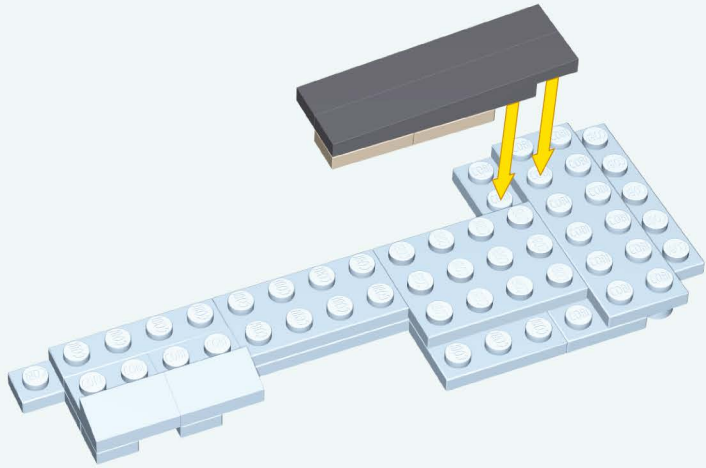
59



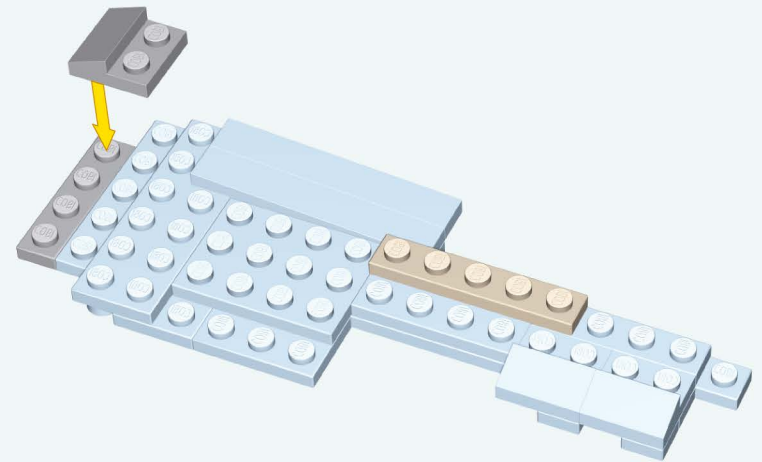
60



61



62



x2



x2

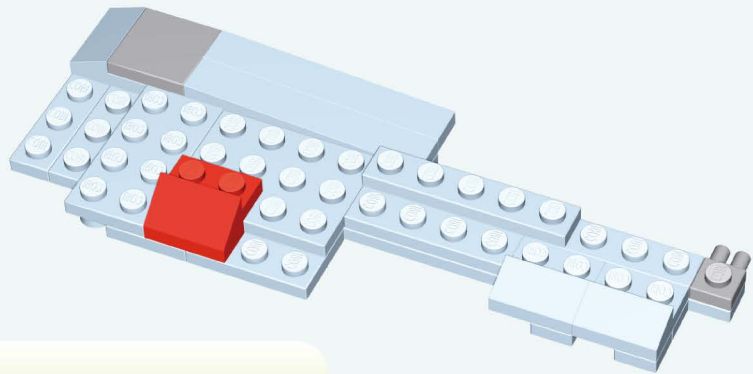
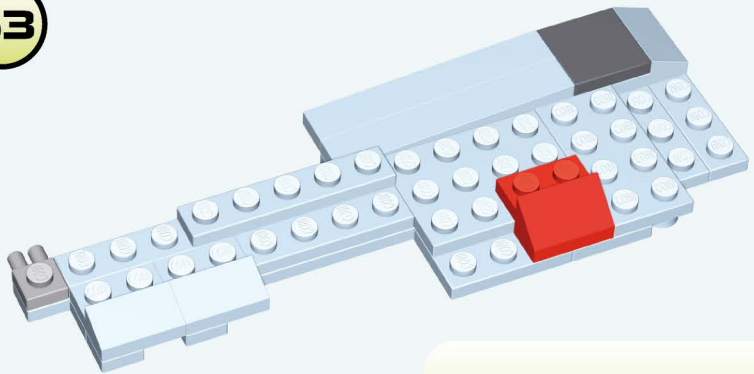


x1

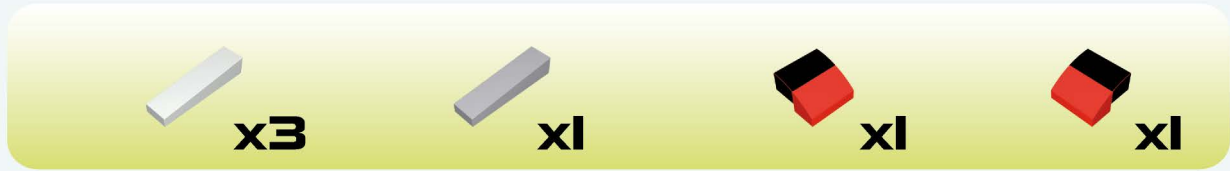
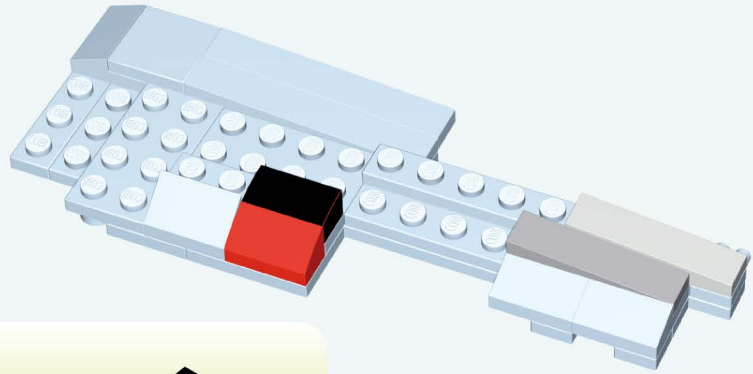
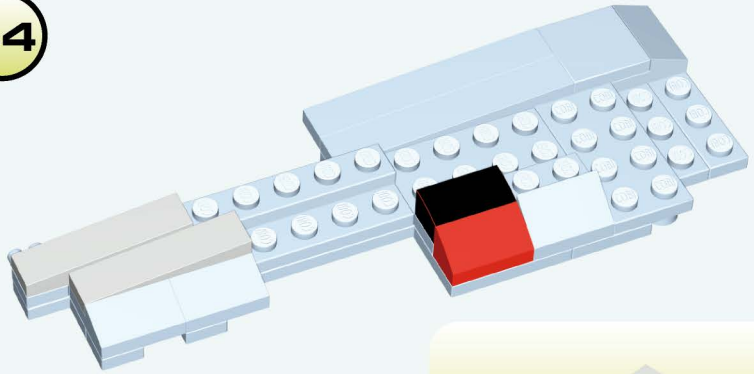


x1

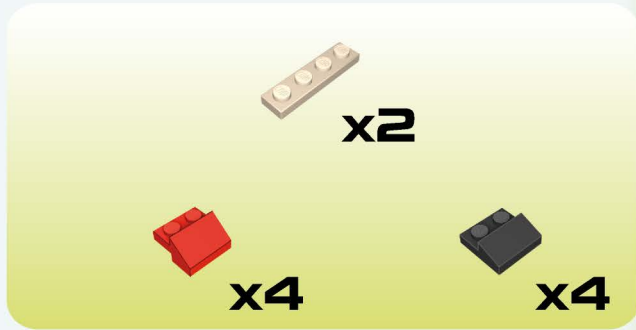
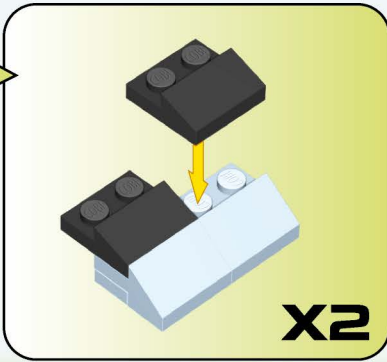
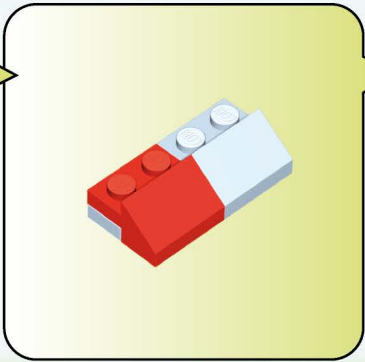
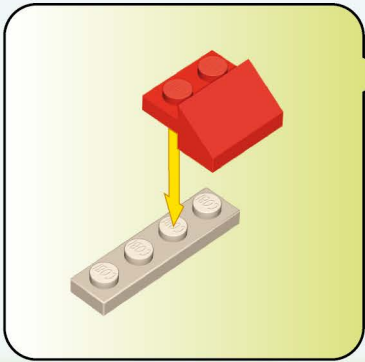
63



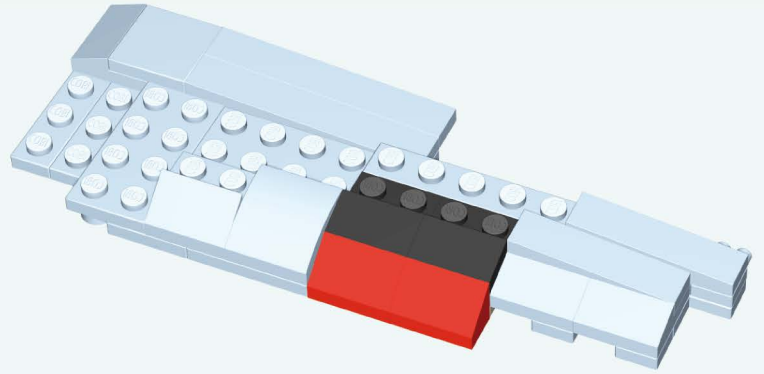
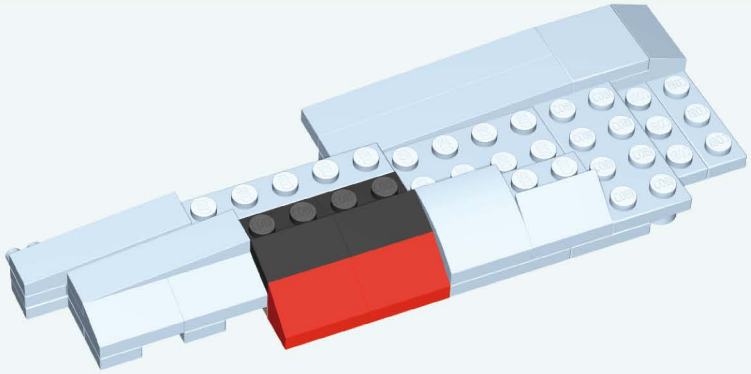
64



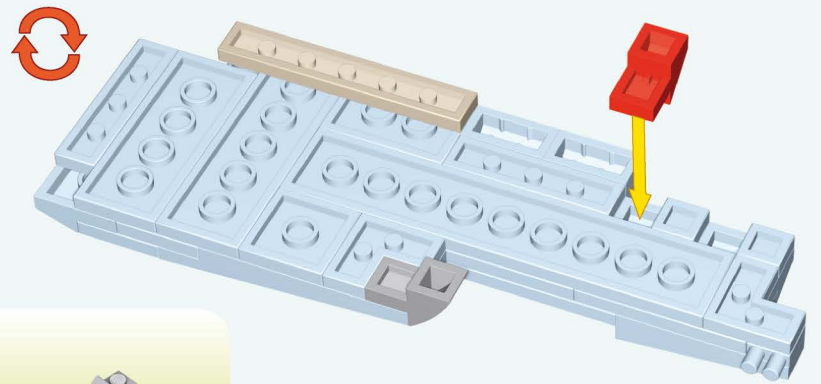
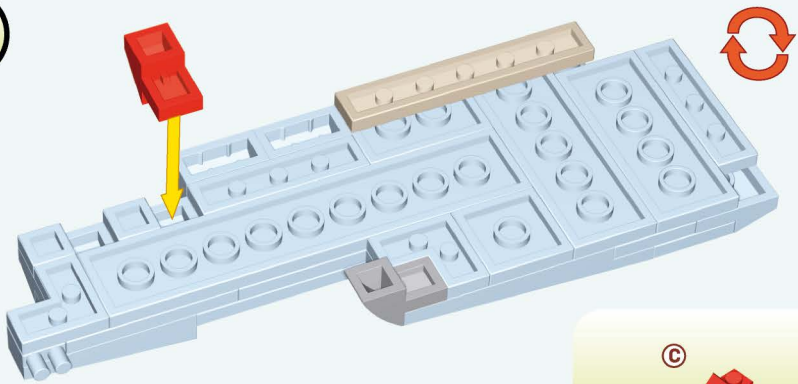
65



66

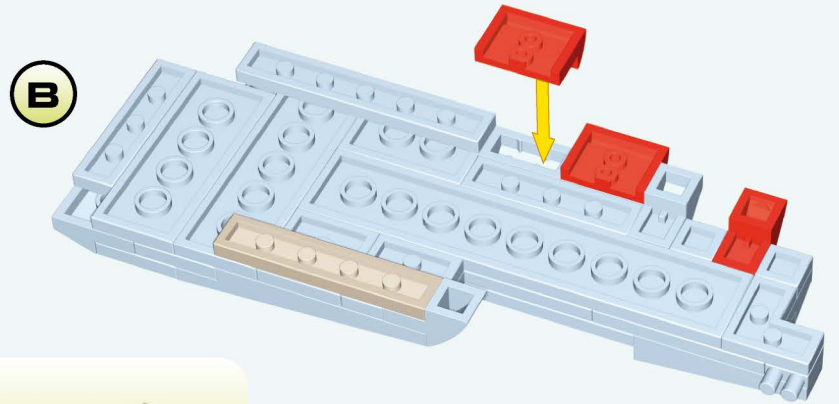
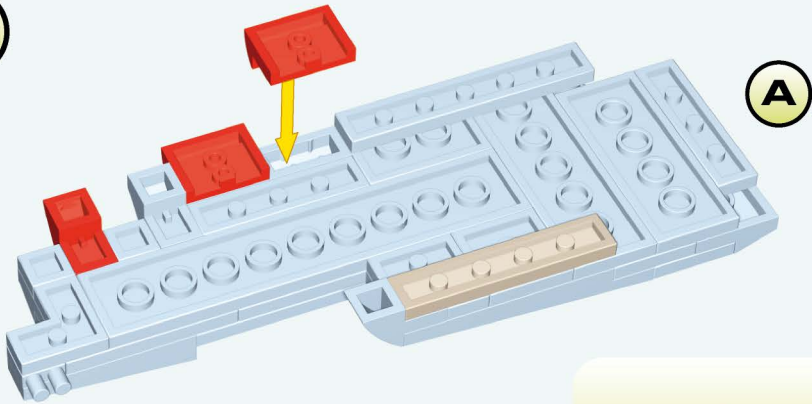





67



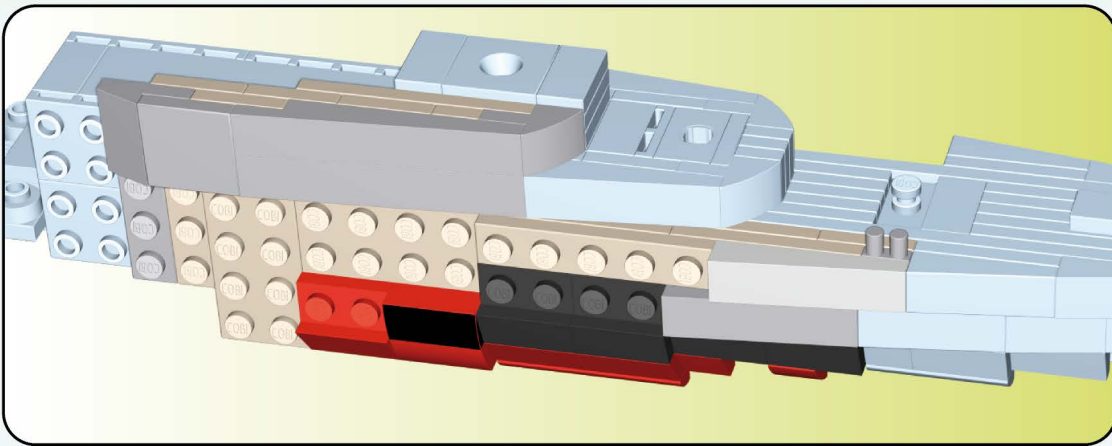
 **x2**
 **x2**
 **x2**

68

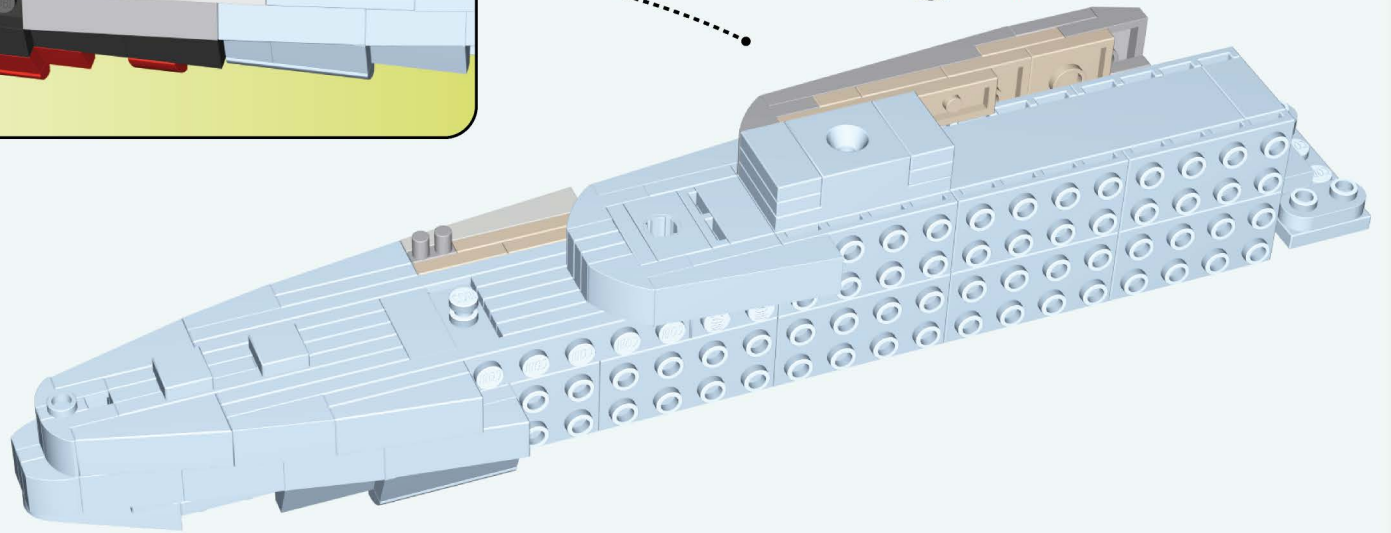


 **x4**
 **x2**
 **x2**

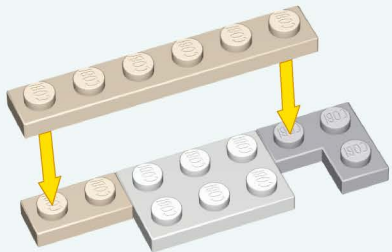
69



B



70



x1



x1

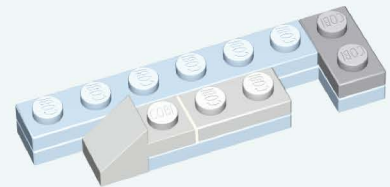


x1



x1

71



x1

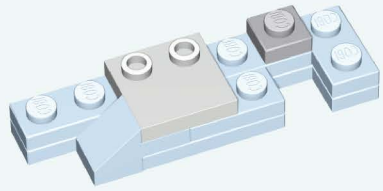


x1



x1

72

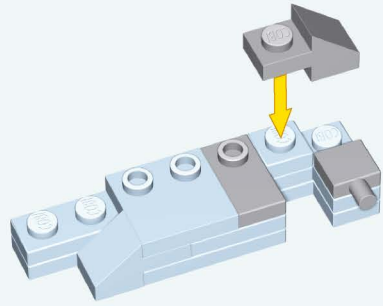


x1



x1

73



x1

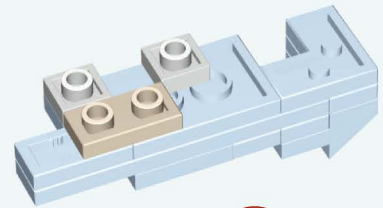


x1



x1

74

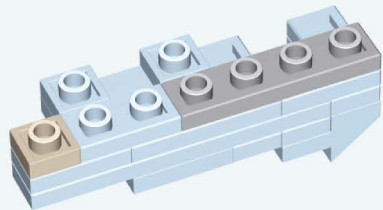


x2



x1

75

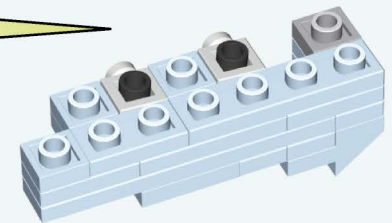
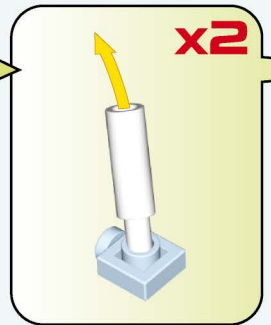
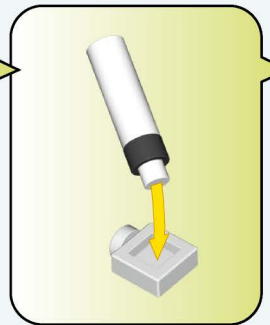
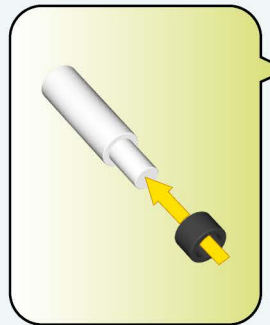


x1



x1

76



x2

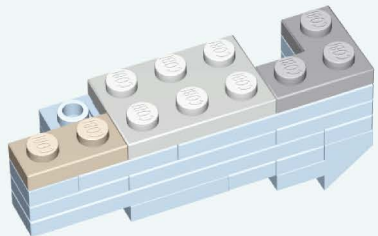


x2



x1

77



x1

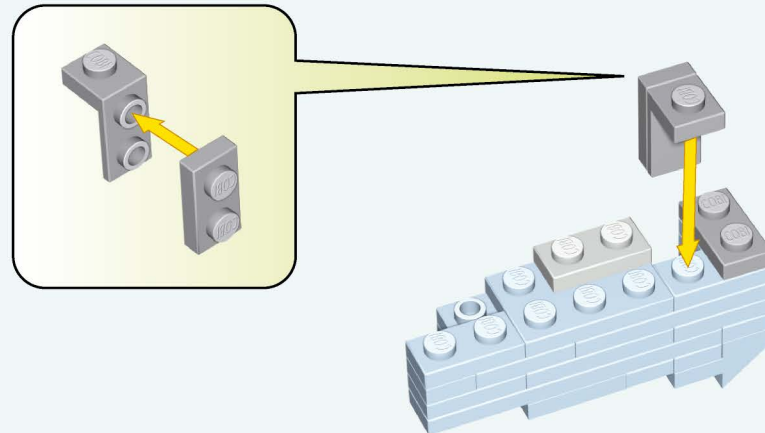


x1



x1

78



x1

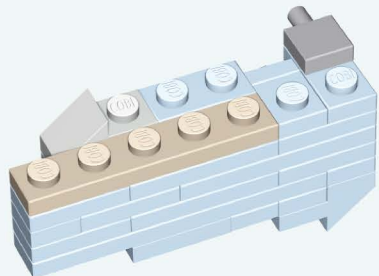


x2



x1

79



x1

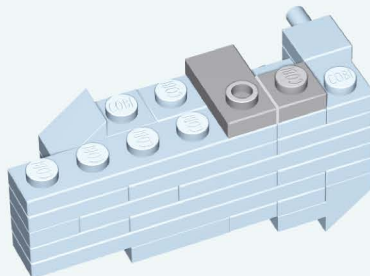


x1



x1

80

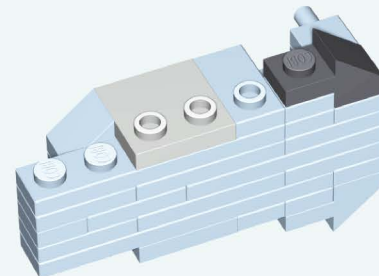


x1



x1

81

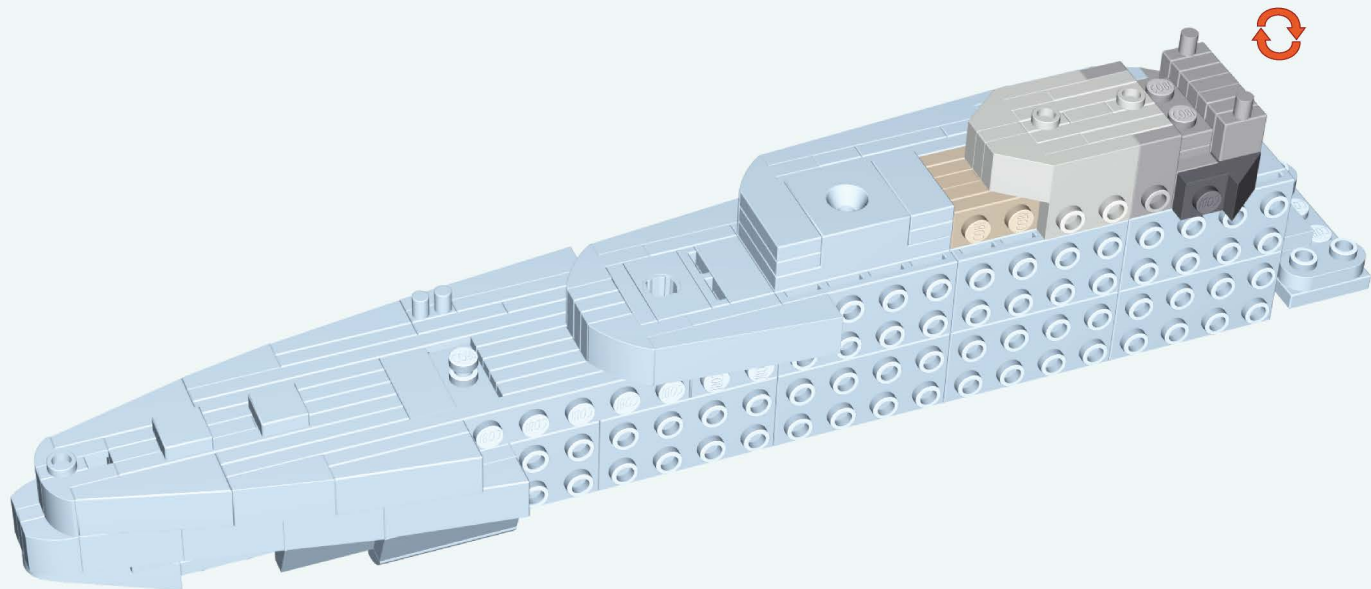


x1

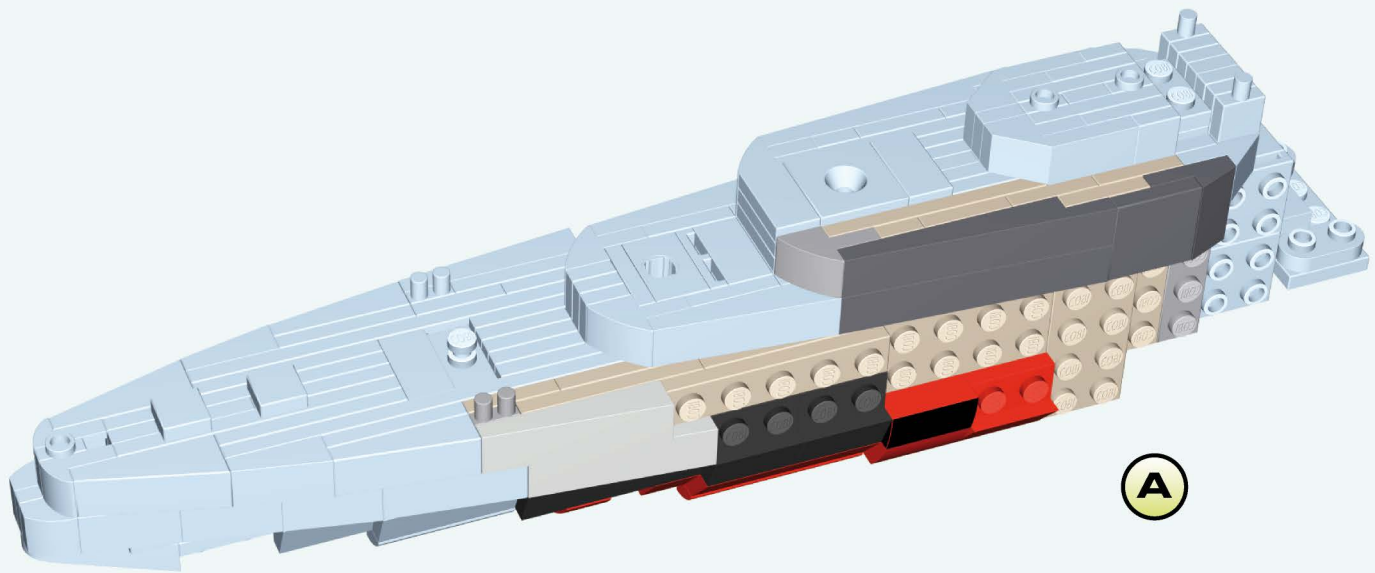


x1

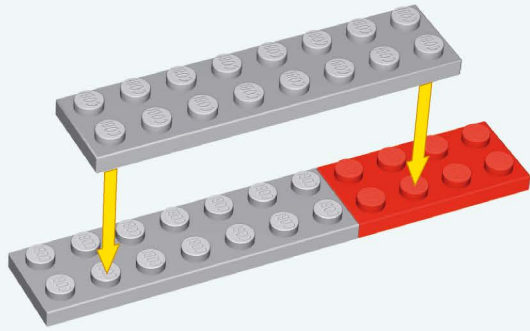
82



83



84



x1



x1



x1

85



x2

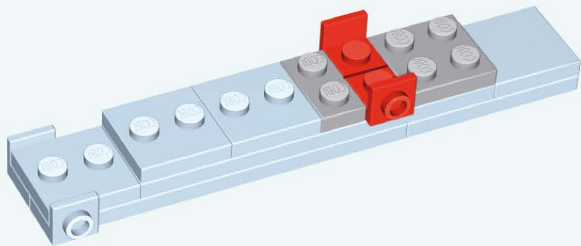


x3



x1

86



x1

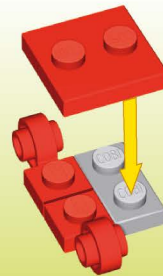
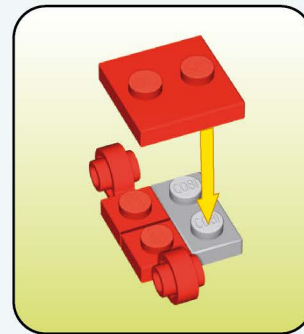


x2



x1

87



x2



x1

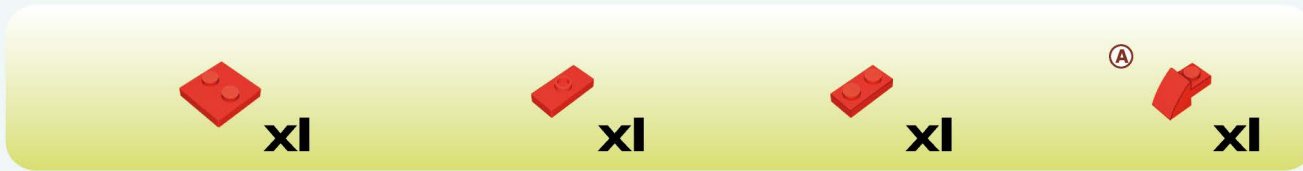
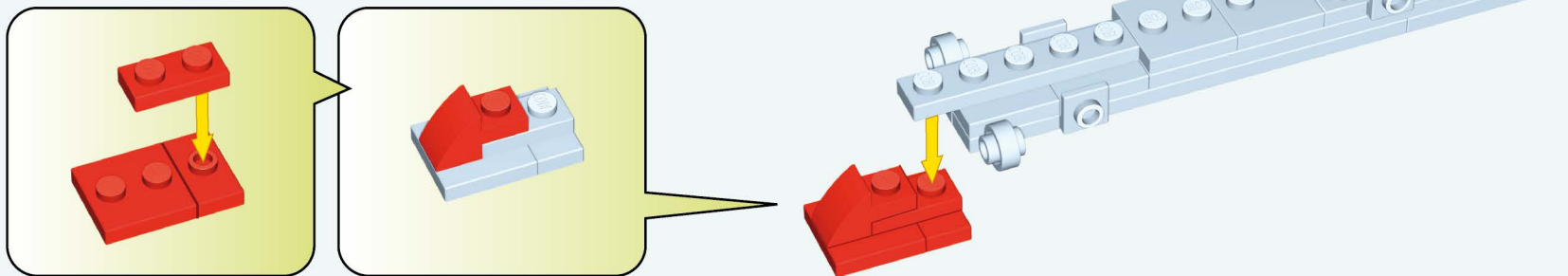


x1

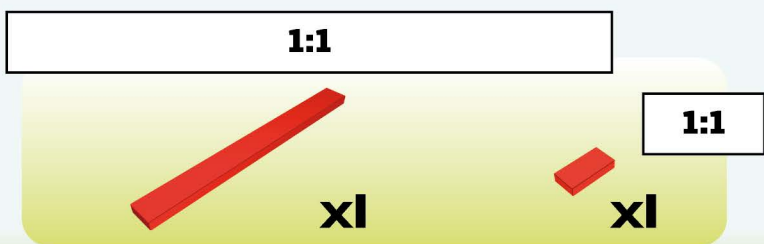
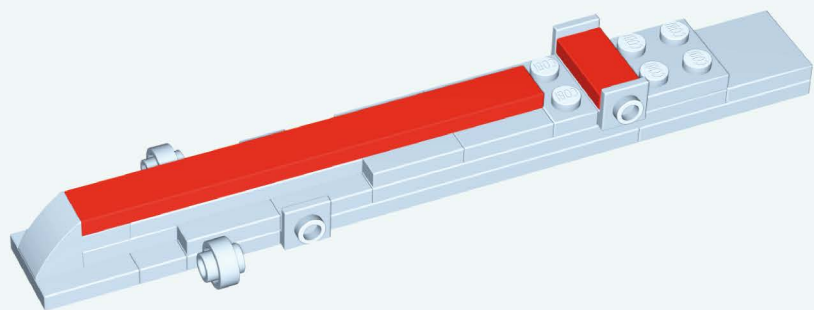


x1

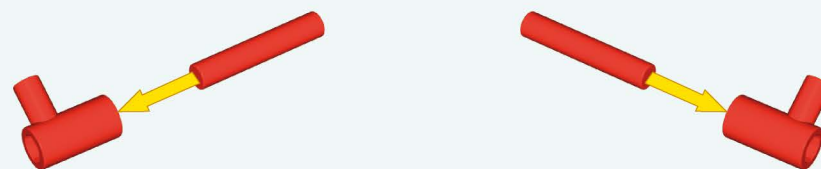
88



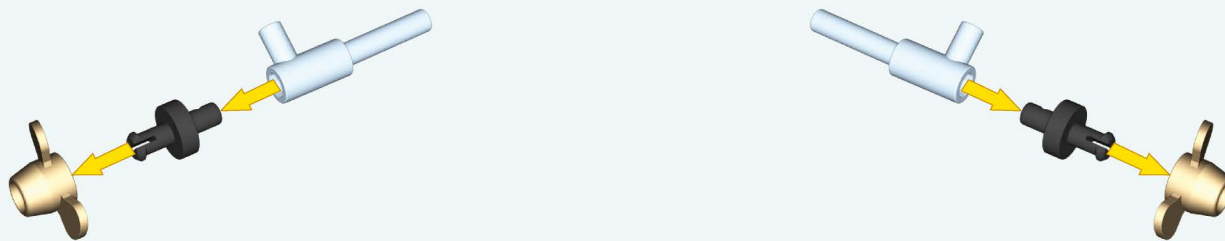
89



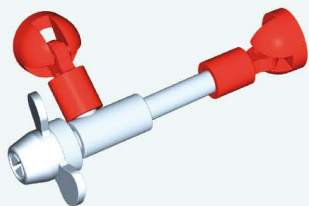
90



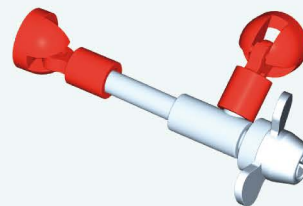
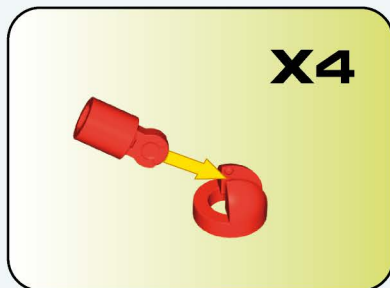
91



92



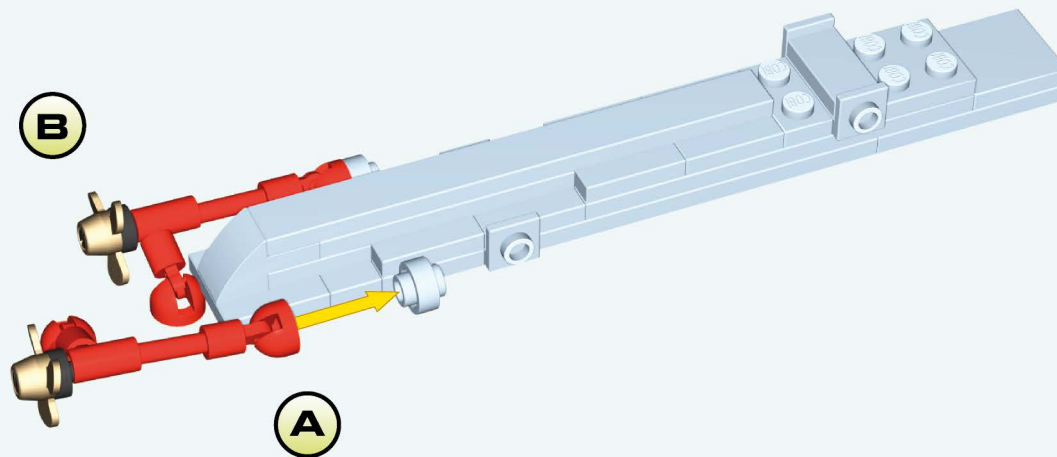
A



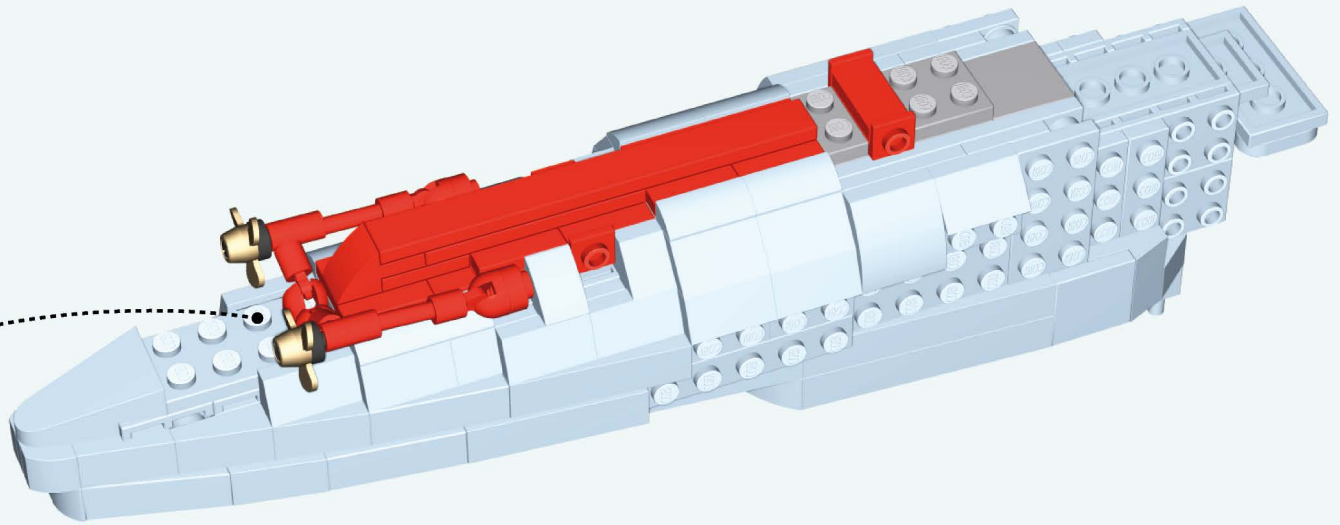
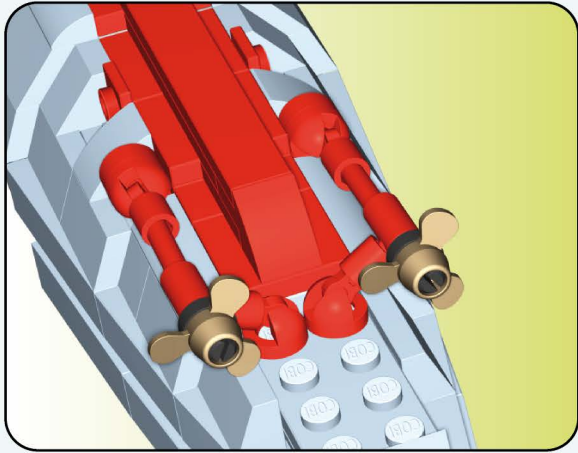
B



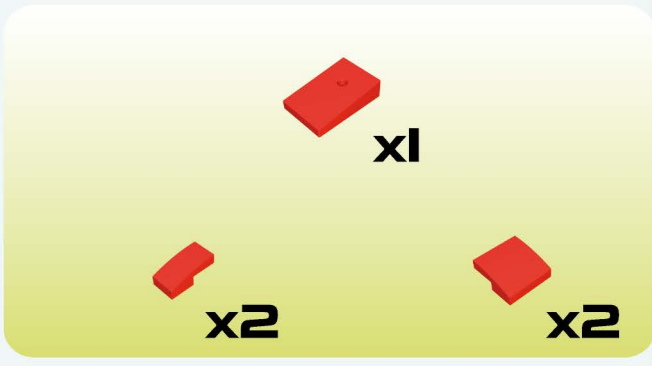
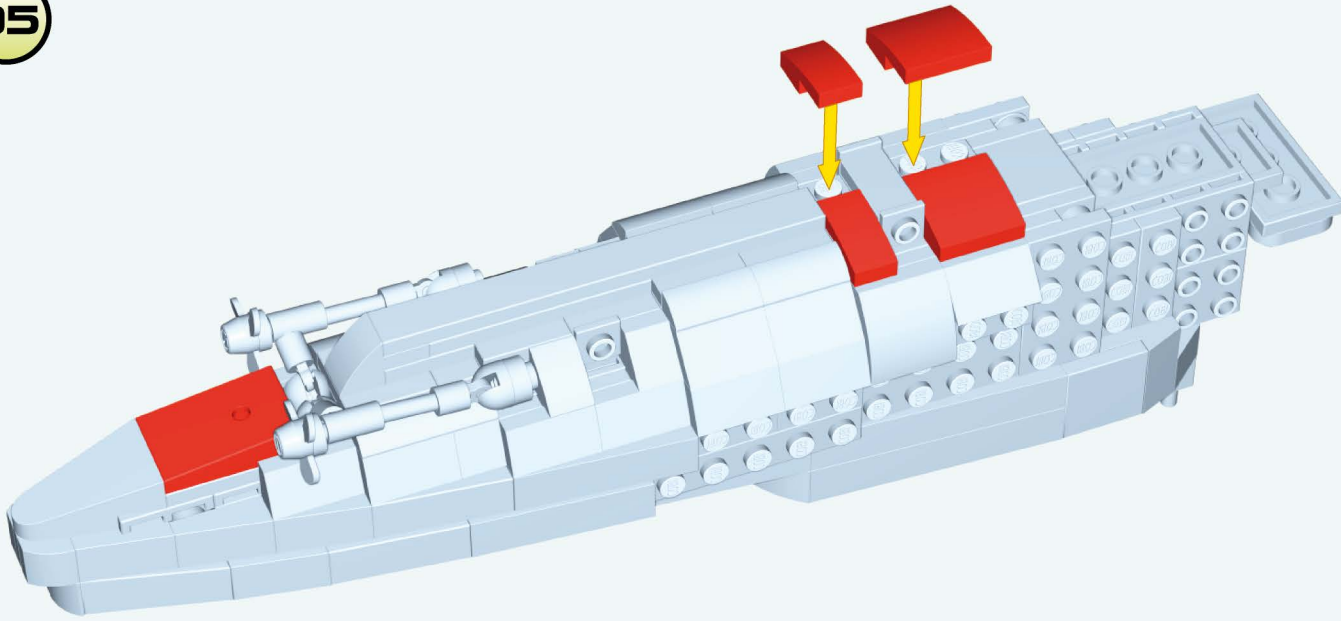
93



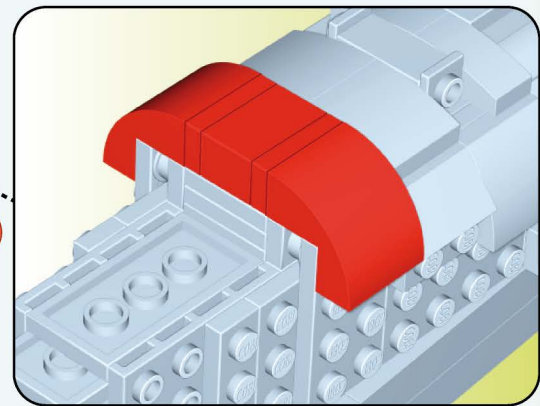
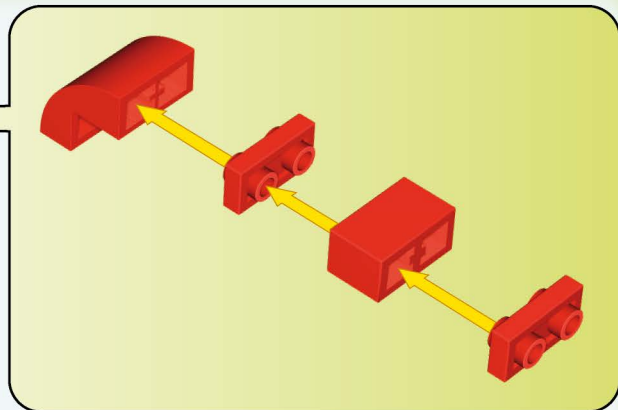
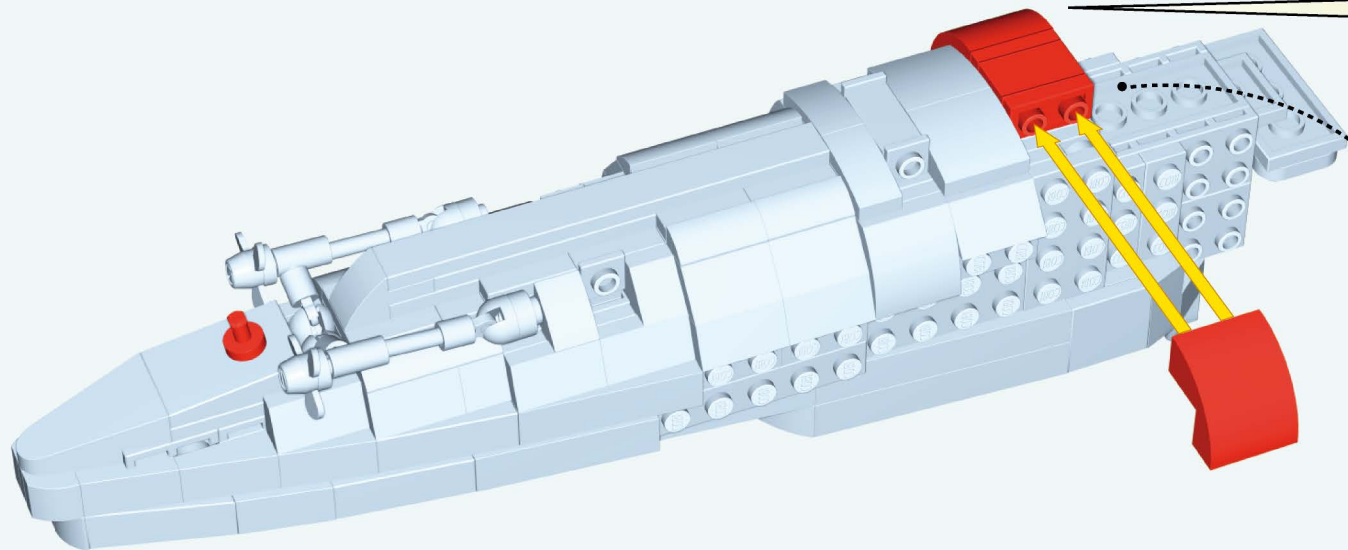
94



95



96



x1



x2

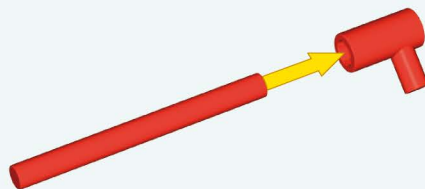
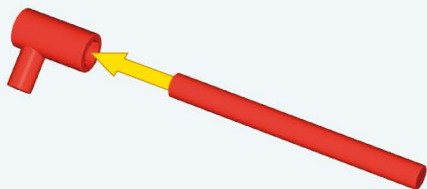


x2



x1

97



Ⓒ

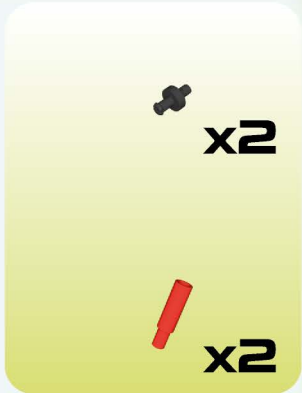
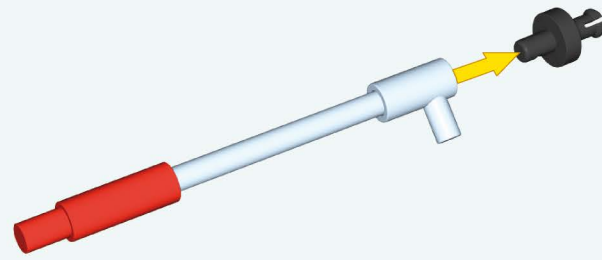
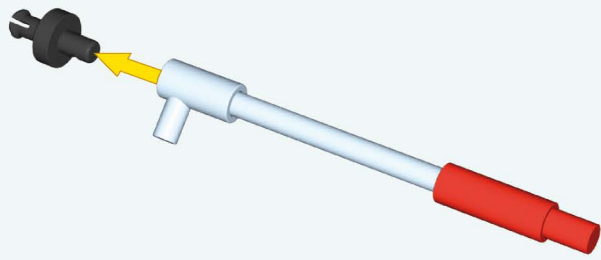


x2

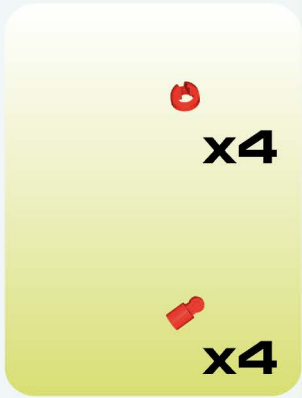
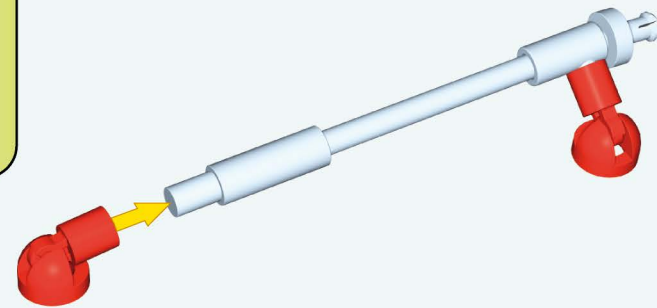
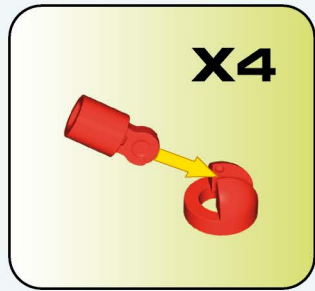
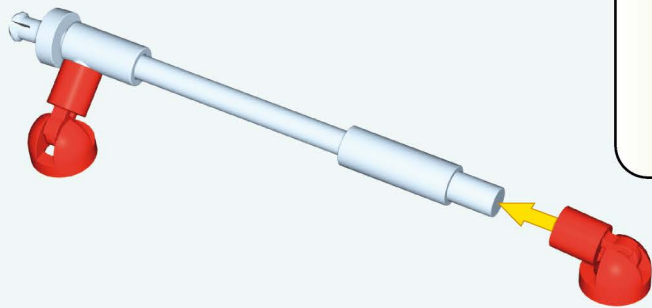


x2

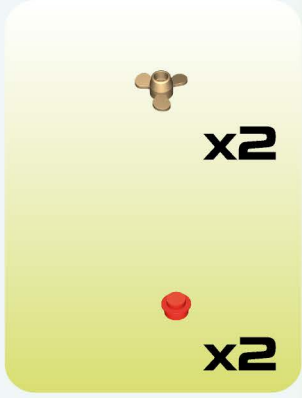
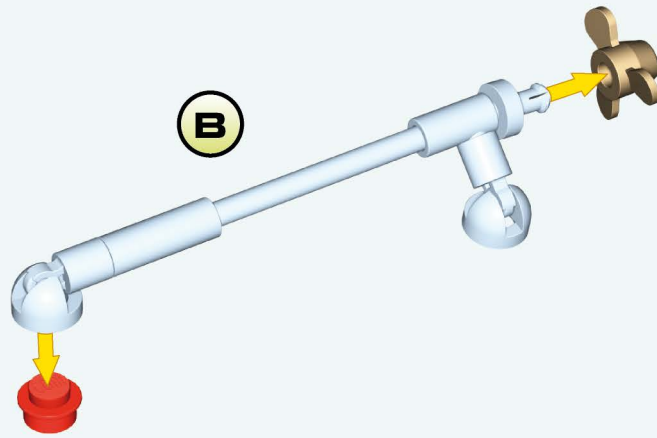
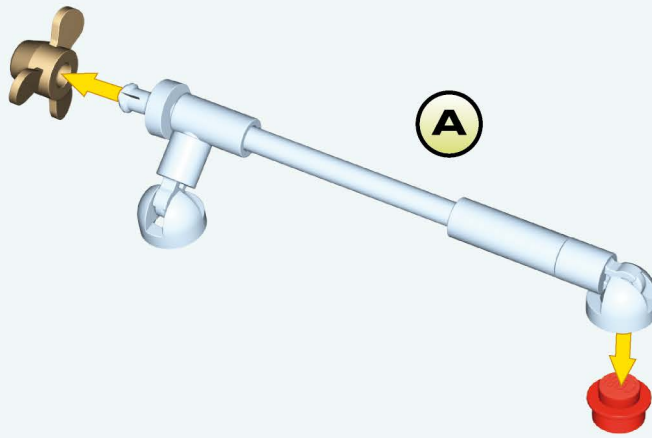
98



99



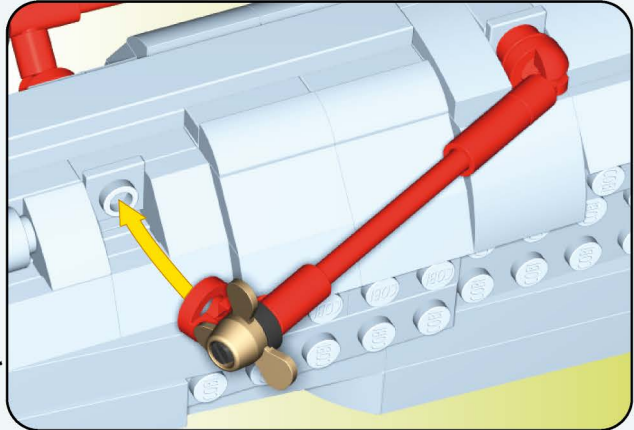
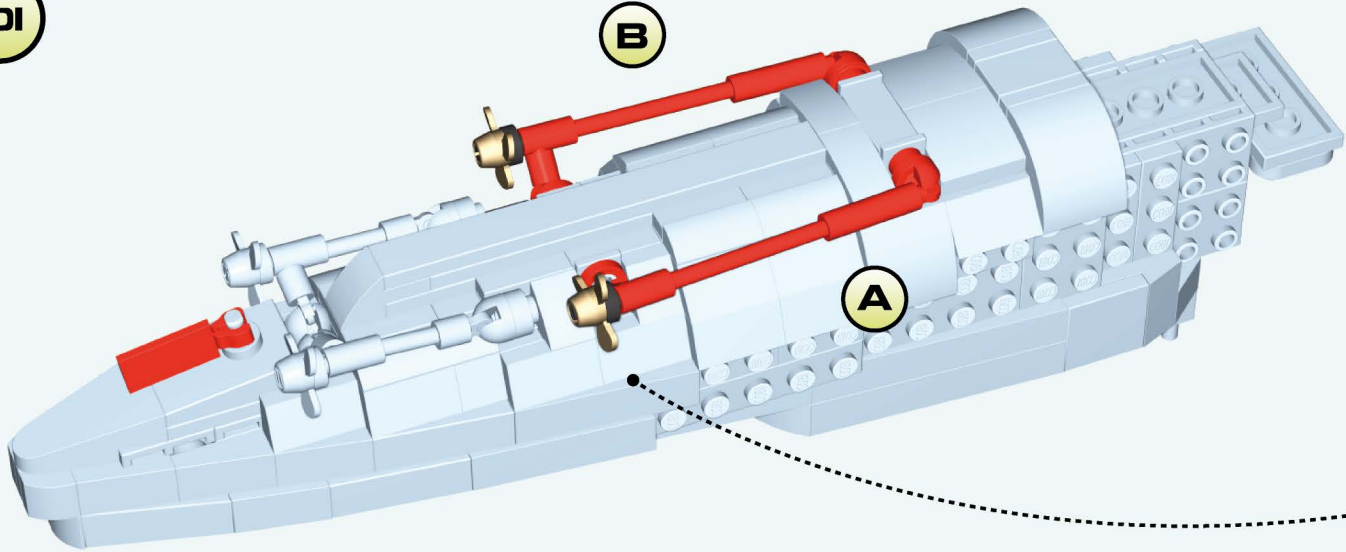
100



101

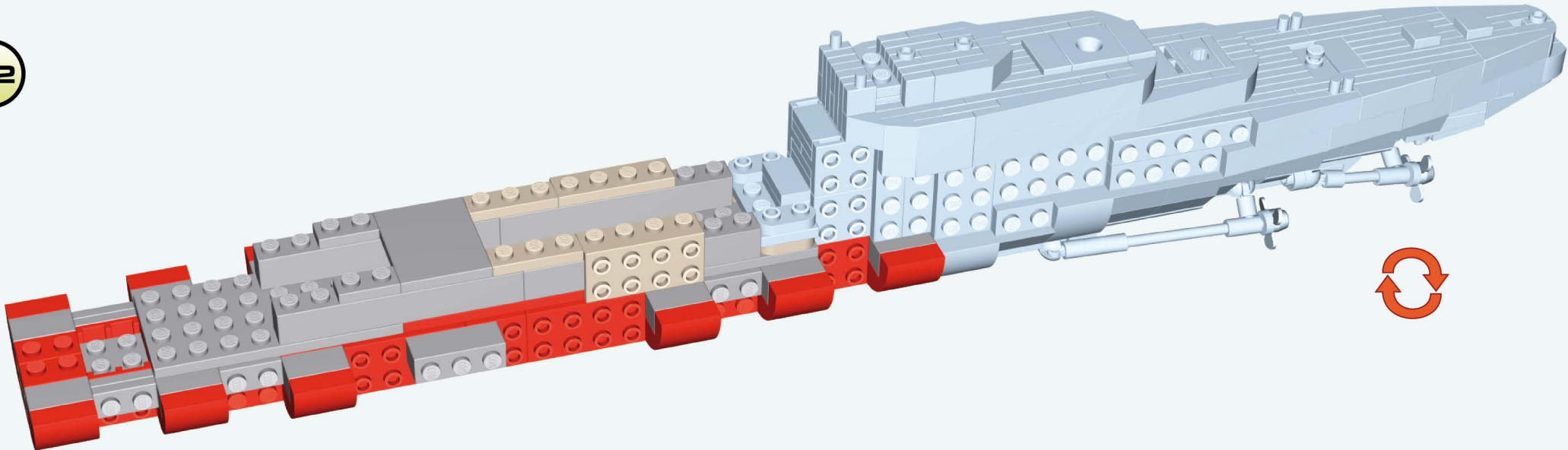
B

A



x1

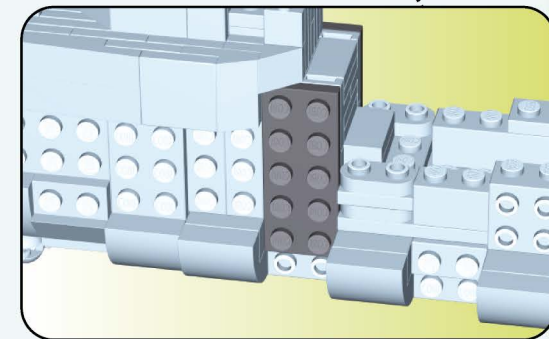
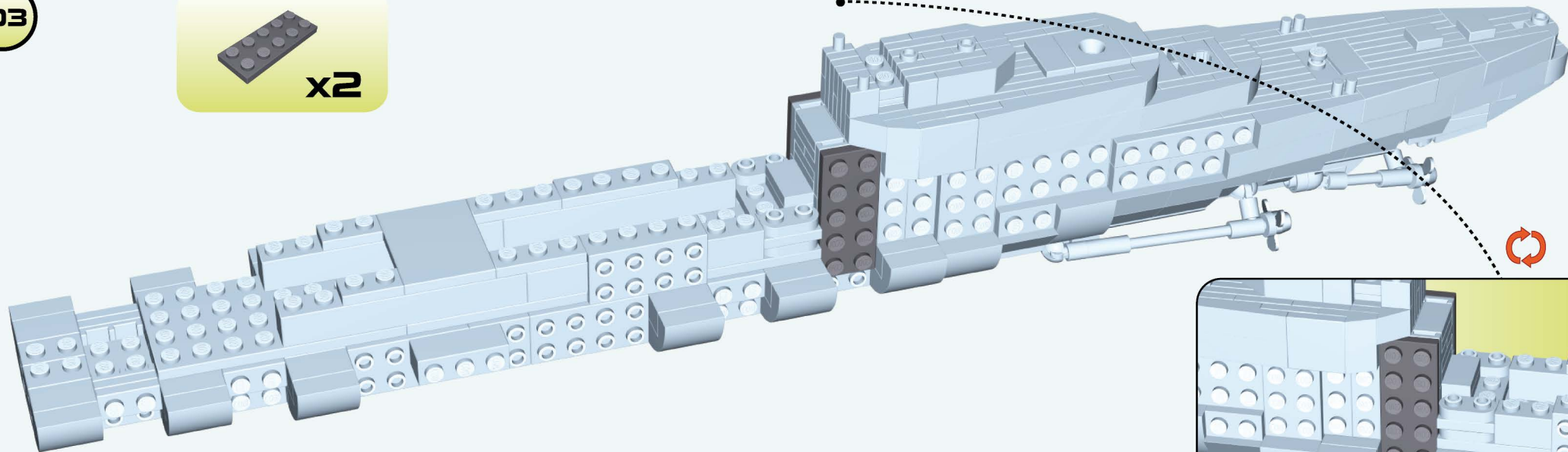
102



103



x2



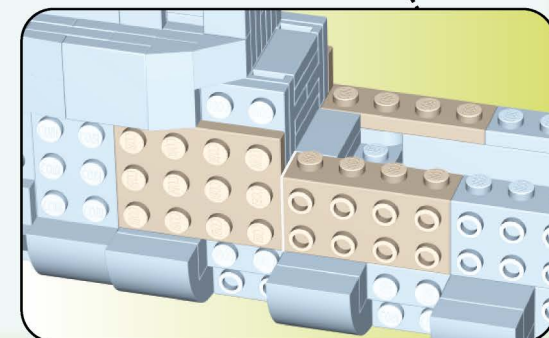
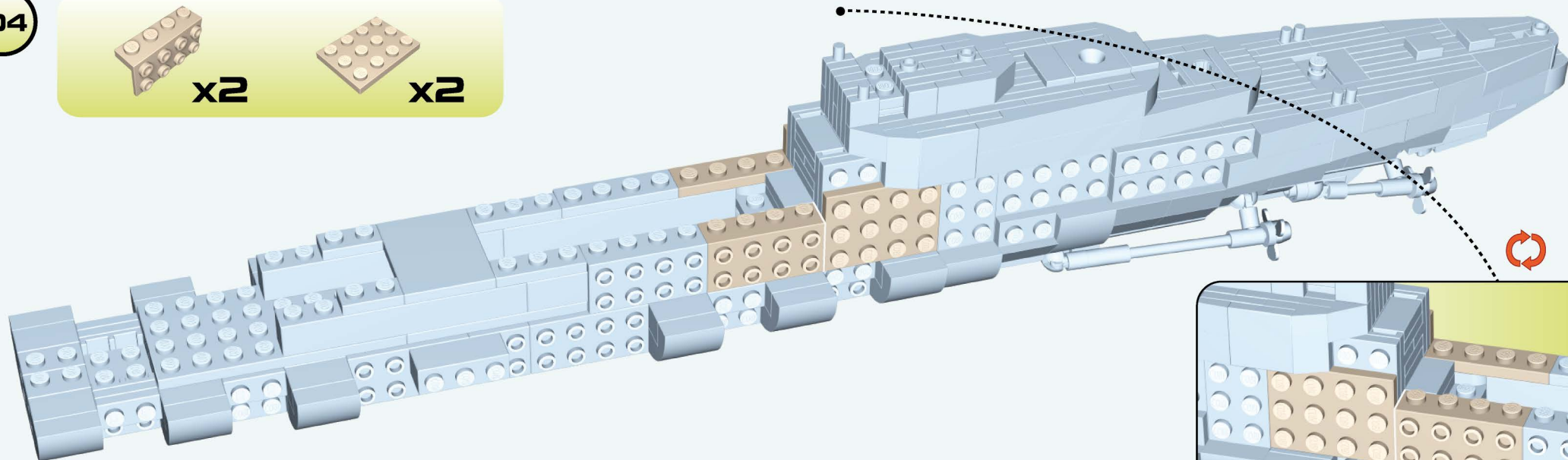
104

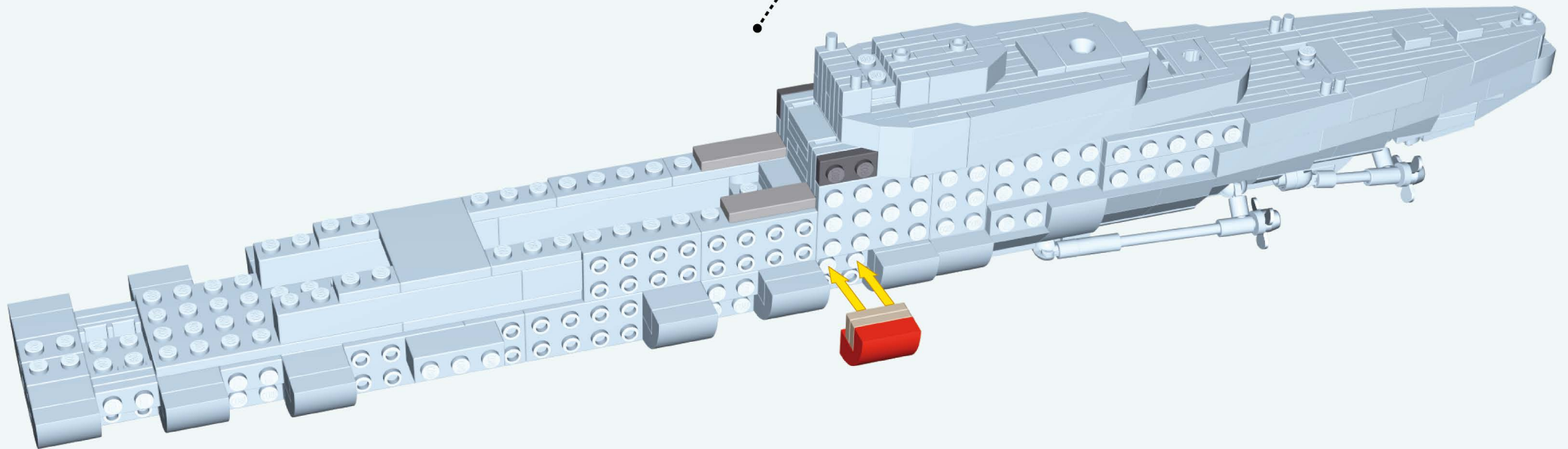
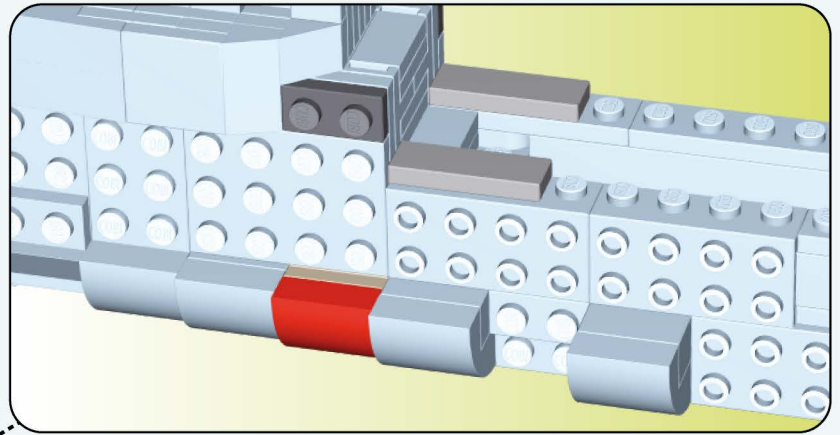
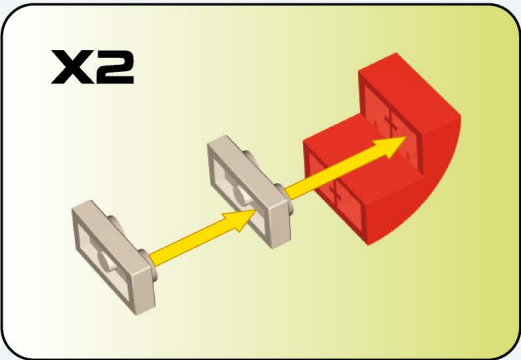


x2



x2





x4



x2

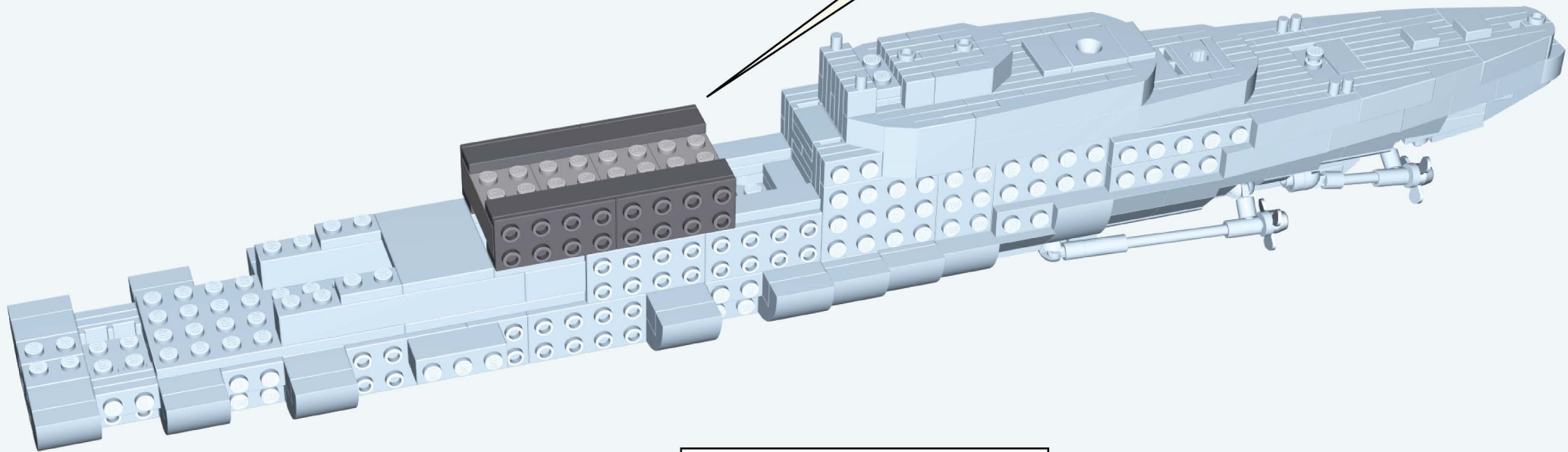
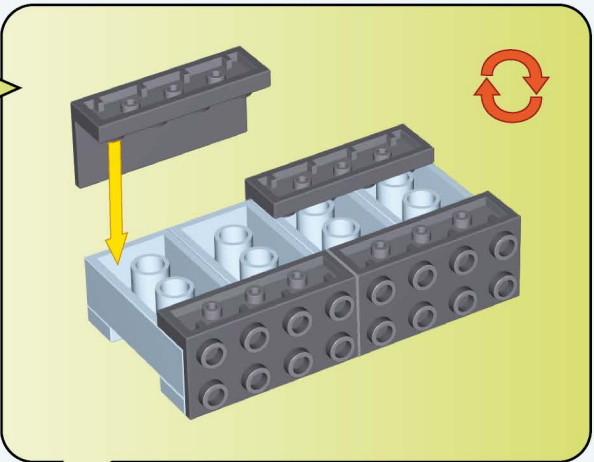
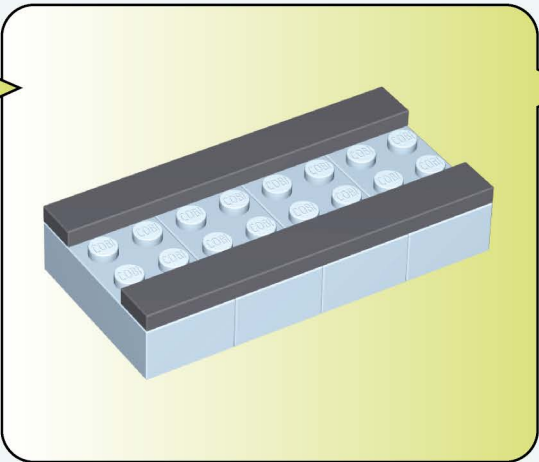
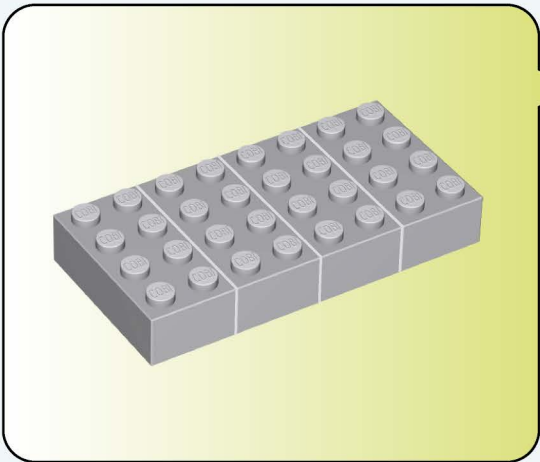
1:1



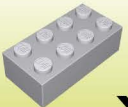
x2



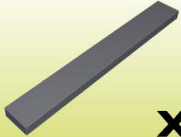
x2



1:1



x4



x2



x4



HISTORICAL COLLECTION



BATTLESHIP MISSOURI (BB-63)

 4837



BATTLESHIP TIRPITZ

 4839





HISTORICAL COLLECTION



BATTLESHIP YAMATO



HMS HOOD



WWW.COBI.EU

00-04844/-1516

For news and special deals

Find us on:
Facebook: [cobi.bricks](#)
Instagram: [cobi.klocki](#)
YouTube: [COBI SA](#)