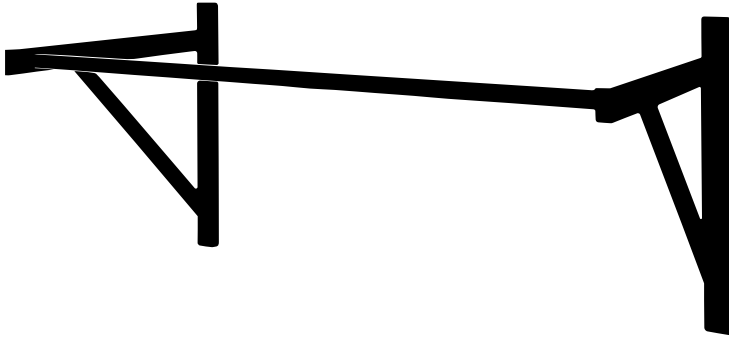


STRENGTH

UK



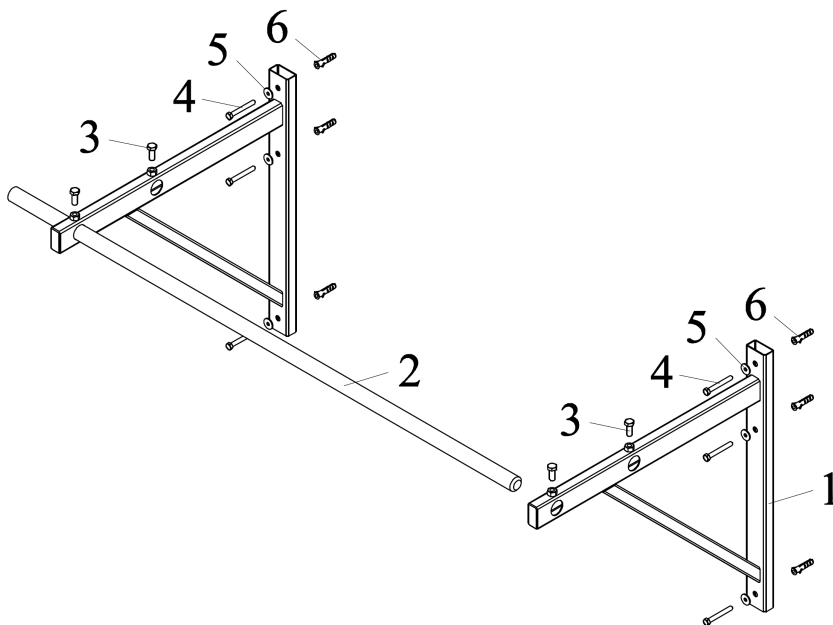
---

# RACK PULL UP

TITAN LIFE®

# EXPLODED DRAWING

MAX. USERWEIGHT 250 KG



# PART LIST

NO.	DESCRIPTION	QTY
1	MAIN FRAME	2
2	HANDLE	1
3	BOLT M10*25	4
4	HEX HEAD SELF-TAPPING SCREW M8*70	6
5	BIG WASHER 8	6
6	NYLON EXPANDING	6



LIVINGSPO RT A/S  
INDUSTRI PARKEN 25, DK-2750 BALLERUP

DK: [WWW.LIVINGSPO RT.DK](http://WWW.LIVINGSPO RT.DK) / SE: [WWW.LIVINGSPO RT.SE](http://WWW.LIVINGSPO RT.SE)  
FI: [WWW.LIVINGSPO RT.FI](http://WWW.LIVINGSPO RT.FI) / UK: [WWW.LIVINGSPO RT.INFO](http://WWW.LIVINGSPO RT.INFO)  
NO: [WWW.LIVINGSPO RT.EU](http://WWW.LIVINGSPO RT.EU) / DE: [WWW.LIVINGSPO RT.INFO](http://WWW.LIVINGSPO RT.INFO)