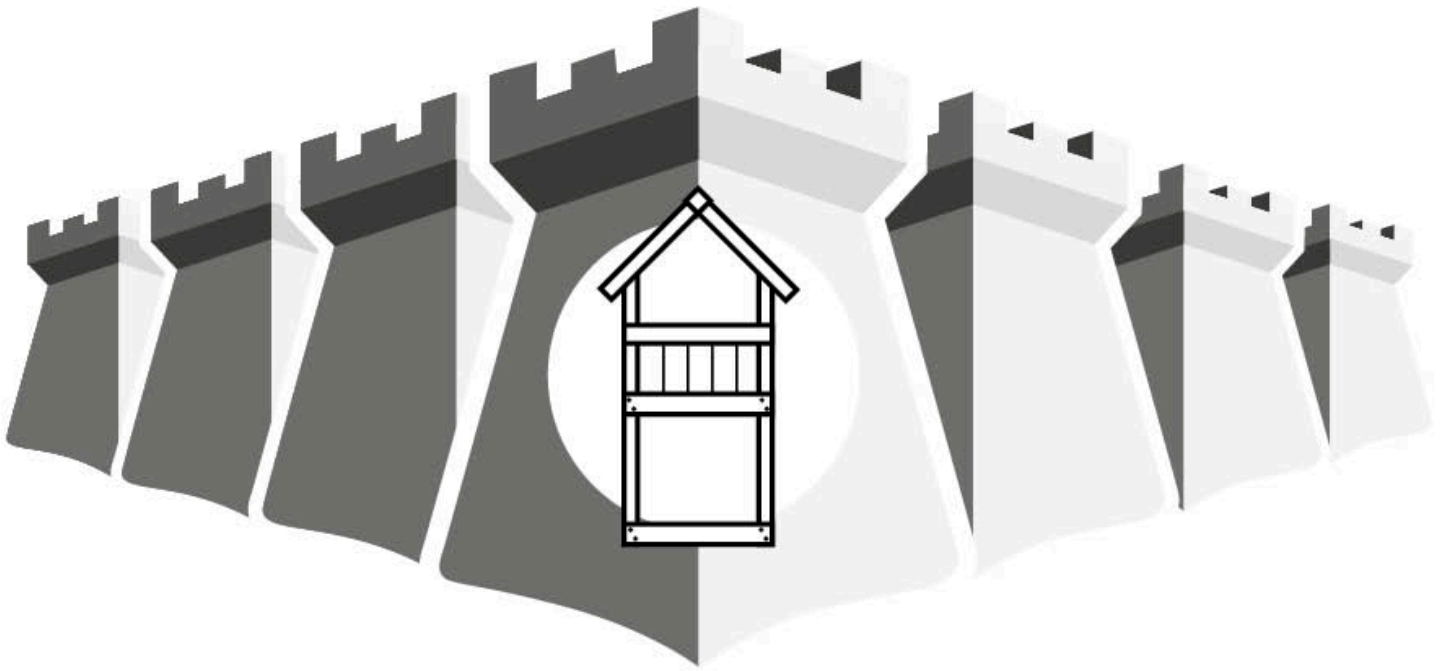


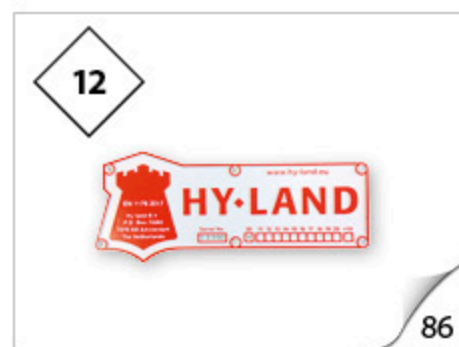
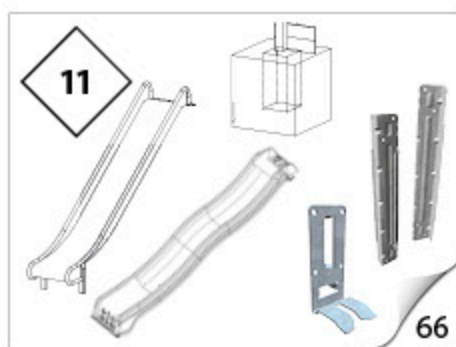
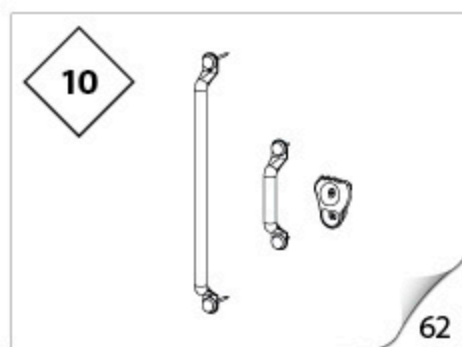
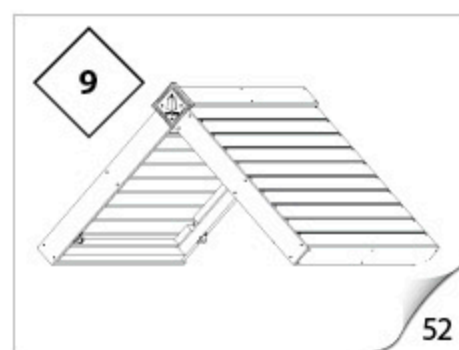
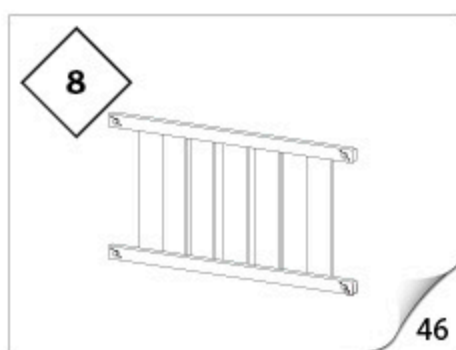
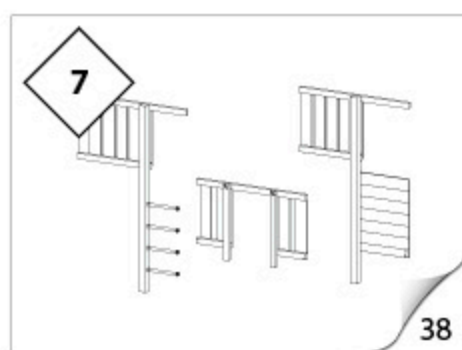
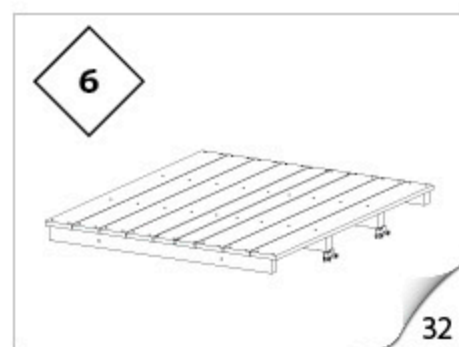
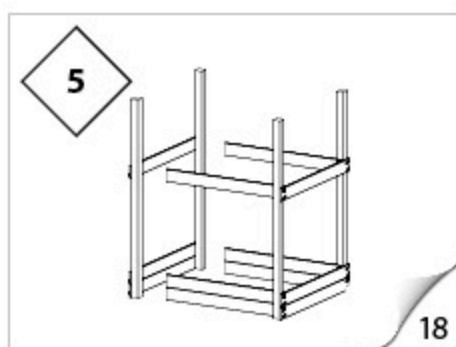
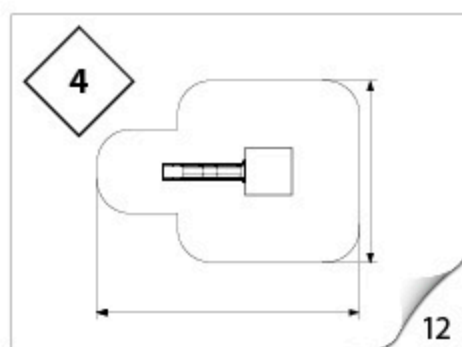
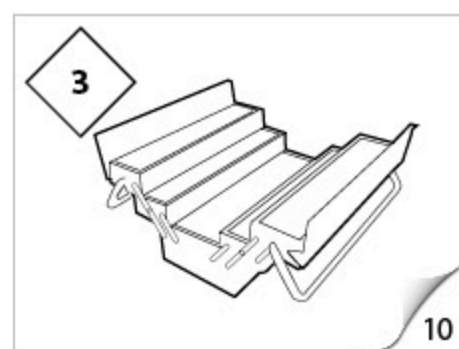
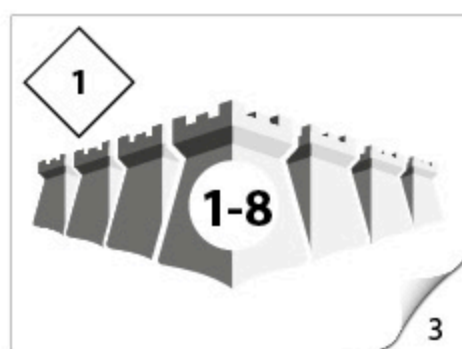
Assembly

P Series



Owner's Manual

Assembly steps



1

1



1x

+



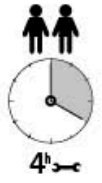
1x



1x



± 0.30 m³



4^h

2



1x

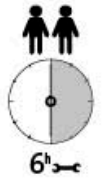
+



1x



± 0.47 m³



6^h

3



1x



1x

+



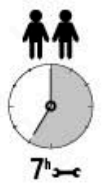
1x



1x



± 0.67 m³



7^h

4



1x



2x

+



1x



1x



± 1.04 m³



13^h

5



2x

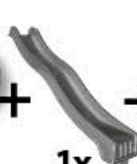


1x

+



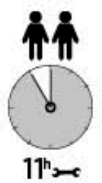
1x



1x



± 0.87 m³



11^h

6



2x



2x

+



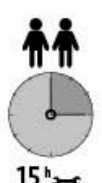
1x



1x



± 1.24 m³



15^h

7



3x



2x

+



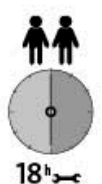
1x



1x



± 1.44 m³



18^h

8



3x



3x

+



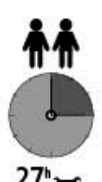
1x



1x



± 1.81 m³



27^h



Content P - Kit A

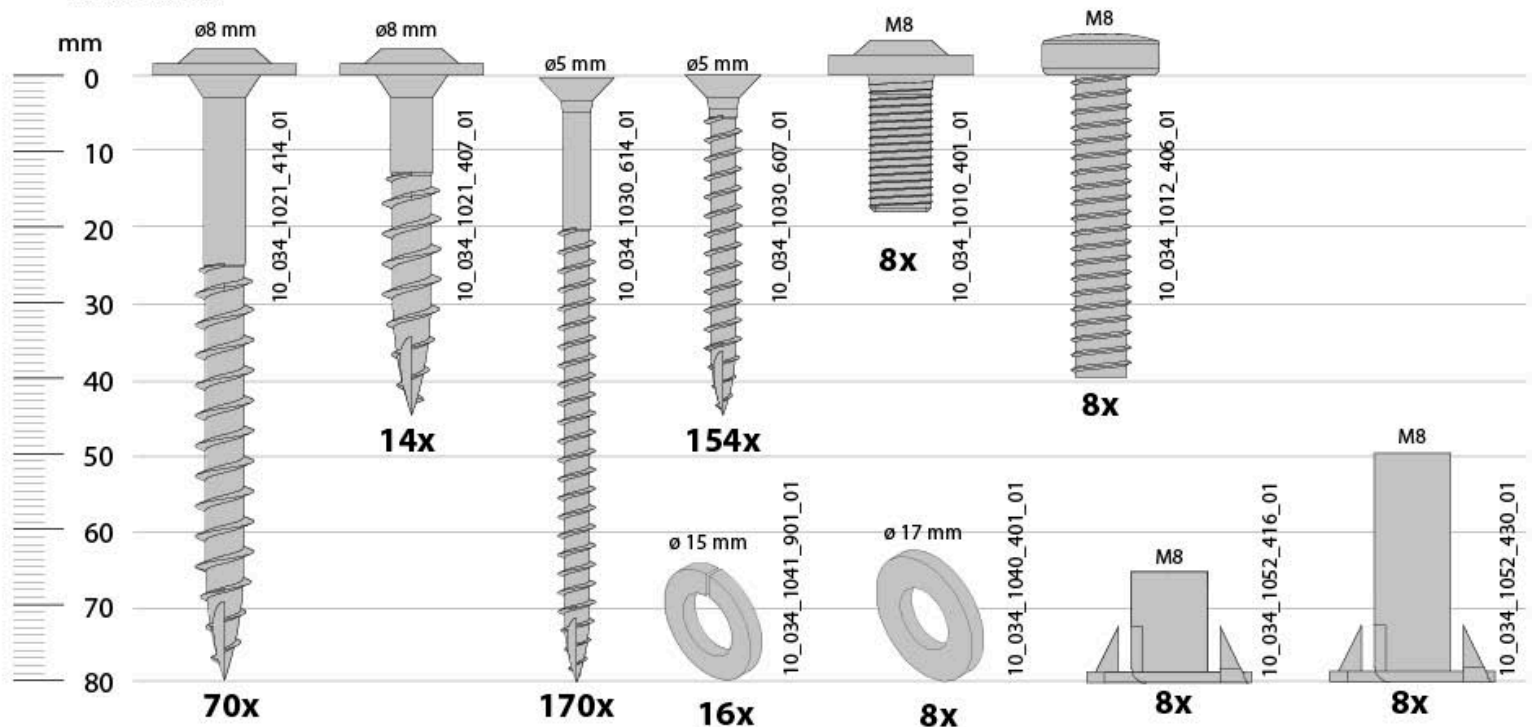
14_001_101_06



<p>6x 10_030_6051_120_04</p>	<p>2x 10_217_2050_100_04</p>	<p>1x 10_217_2050_200_04</p>	<p>1x 10_217_2050_300_04</p>	<p>1x 11_207_1010_401_04</p> <p>41x 10_205_2030_000_04</p>
<p>1x 10_467_3010_101_26</p>		<p>2x 11_003_3030_202_06</p>		<p>1x 11_001_1010_100_25</p>

Hardware P - Kit A

11_001_1010_100_25



2.1b

Content P - Kit B

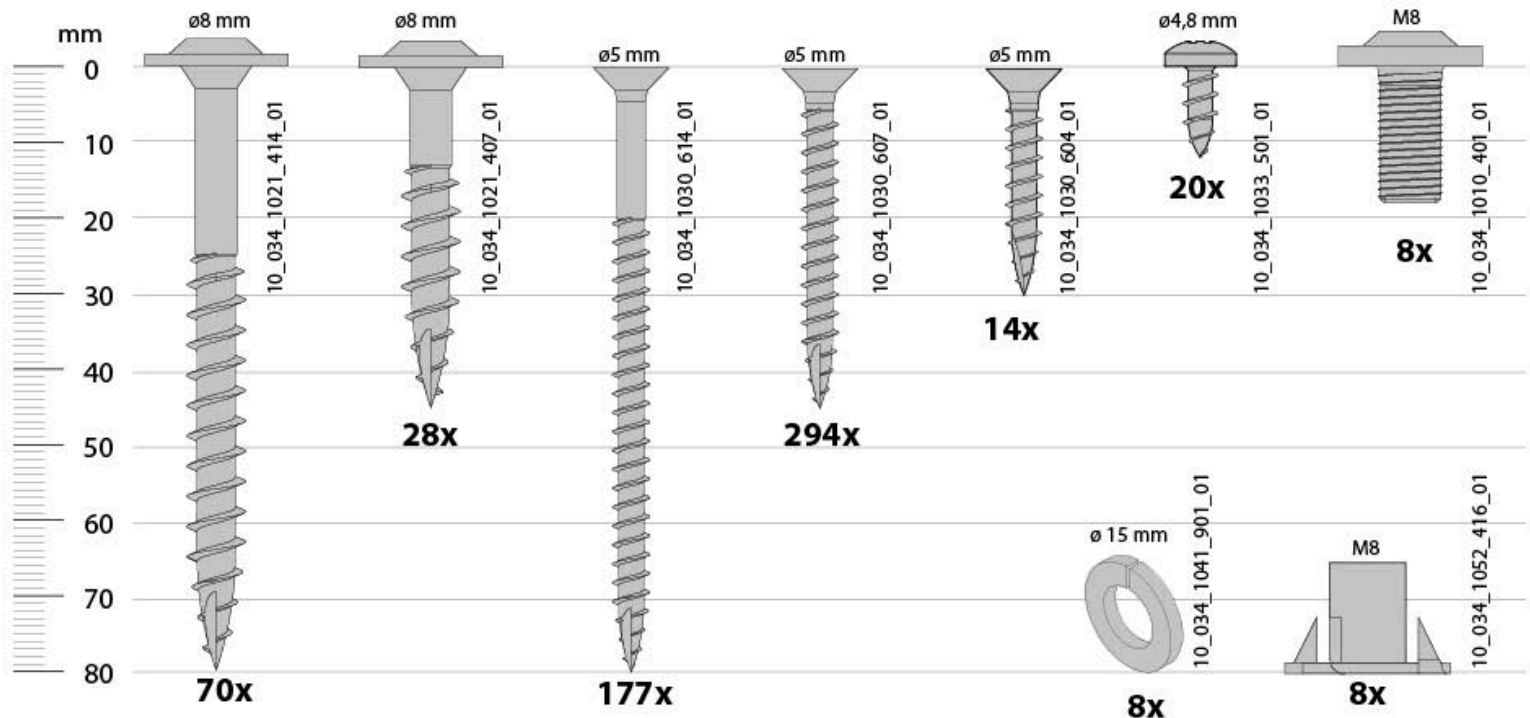
14_001_101_10



<p>11_207_1090_101_02 1x</p> <p>14x 10_201_2075_205_04</p>	<p>10_030_5051_120_04 6x</p>			
<p>10_467_3010_201_26 1x</p>	<p>11_203_1031_122_25 1x</p>	<p>11_003_3030_202_06 2x</p>		
<p>10_030_5011_001_04 2x</p>	<p>11_203_1030_105_25 1x</p>	<p>10_026_4010_301_01 4x</p>		
<p>10_030_5010_000_04 4x</p>	<p>10_201_2075_405_04 2x</p>	<p>11_203_1041_108_04 1x</p> <p>8x 10_205_2031_000_04</p>	<p>11_001_1010_200_25 1x</p>	<p>11_207_1010_601_04 1x</p> <p>55x 10_205_2030_000_04</p>

Hardware P - Kit B

11_001_1010_200_25



2.1c

Content P - Kit C

14_303_101_11



<p>1x 10_209_2031_105_05</p>				
<p>1x 10_209_2071_103_24</p>	<p>2x 10_030_5041_115_04</p>	<p>1x 10_467_3040_201_26</p>		
<p>1x 10_030_5042_116_04</p>	<p>1x 10_030_5042_216_04</p>	<p>2x 10_030_5071_110_01</p>	<p>1x 11_001_1030_100_25</p>	<p>2x 11_207_1010_101_04</p> <p>6x 10_205_2030_000_04</p>
<p>2x 11_003_3030_101_06</p>	<p>1x 10_026_5041_215_01</p>	<p>1x 11_002_1010_202_25</p>	<p>2x 10_032_5013_225_01</p>	<p>2x 10_032_5012_425_01</p>

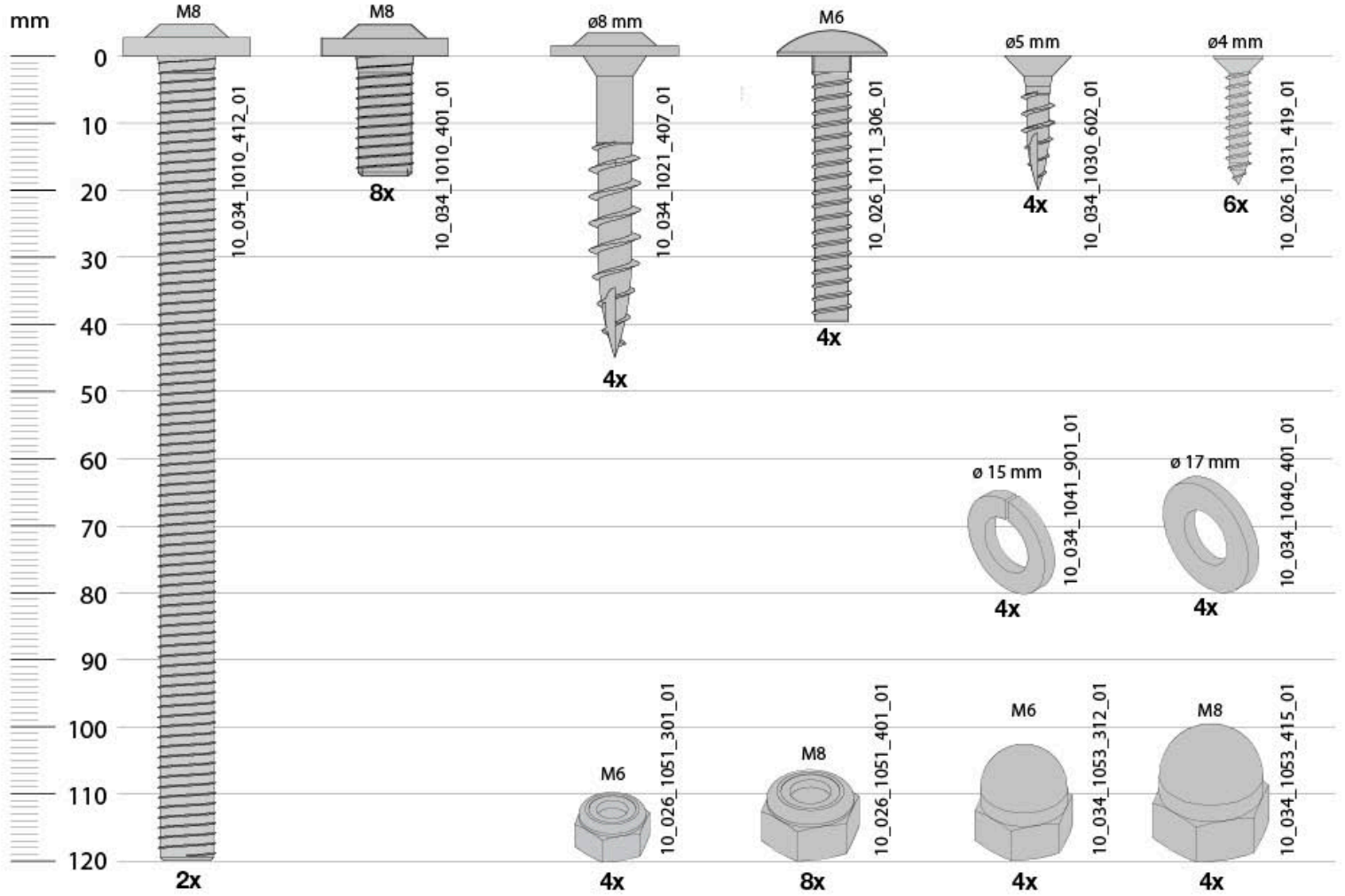
Tools

11_002_1010_202_25



Hardware P - Kit C

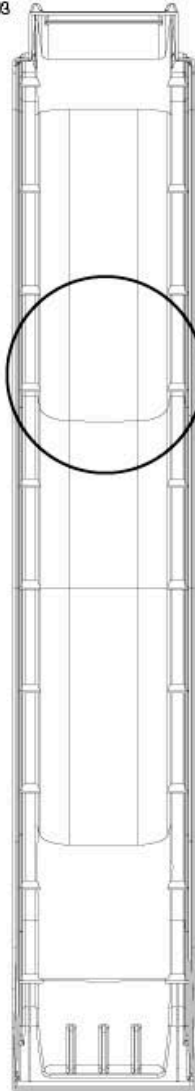
11_001_1030_100_25



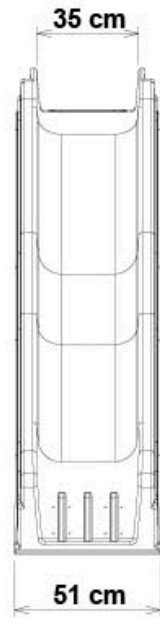
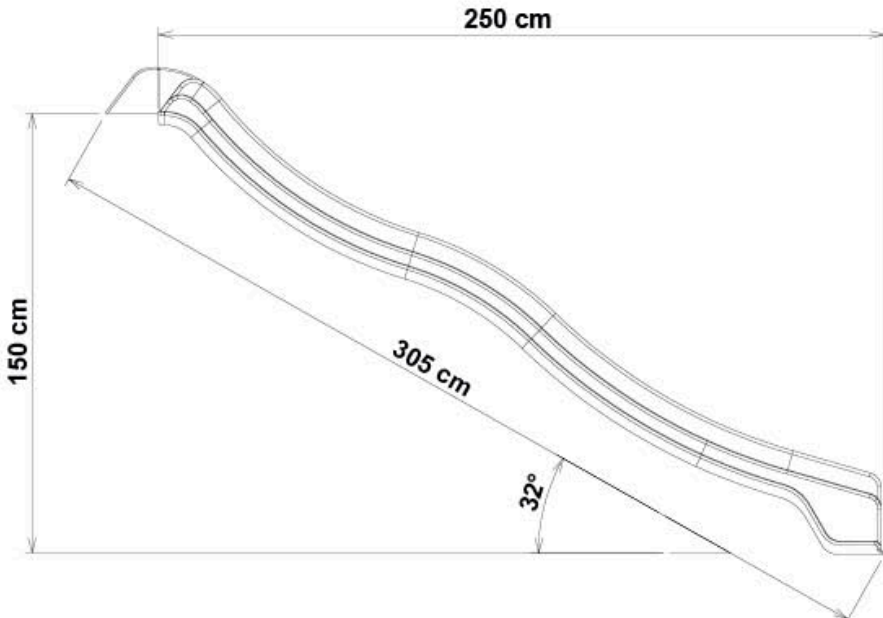
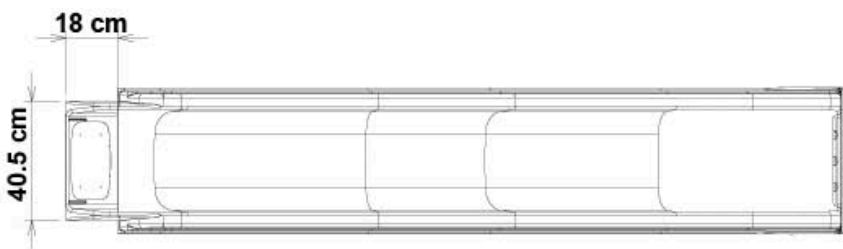
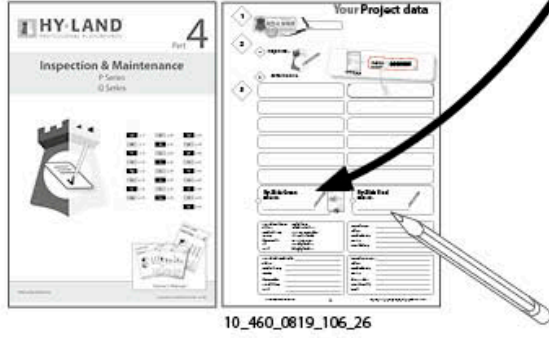
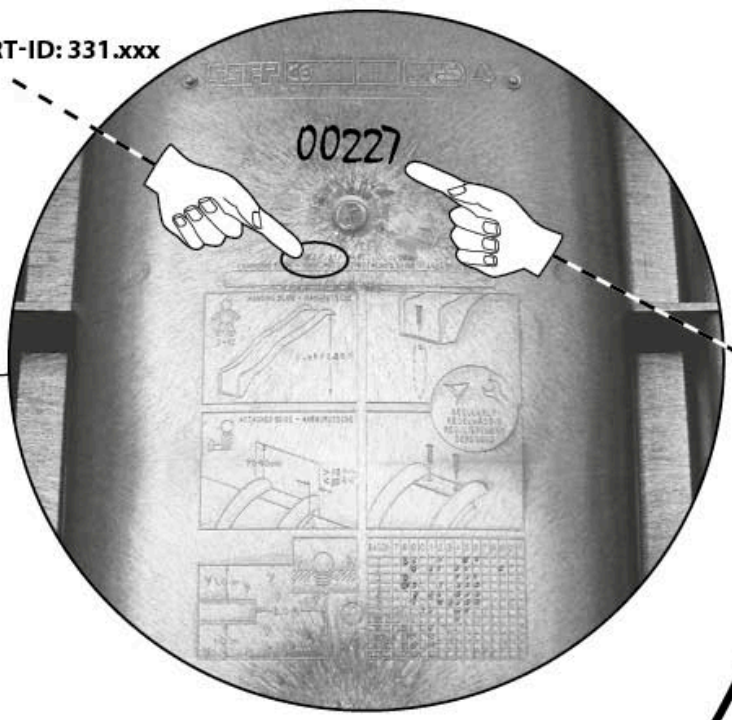
2.2a

Hy-Slide Polyethylene

14_306_301_03



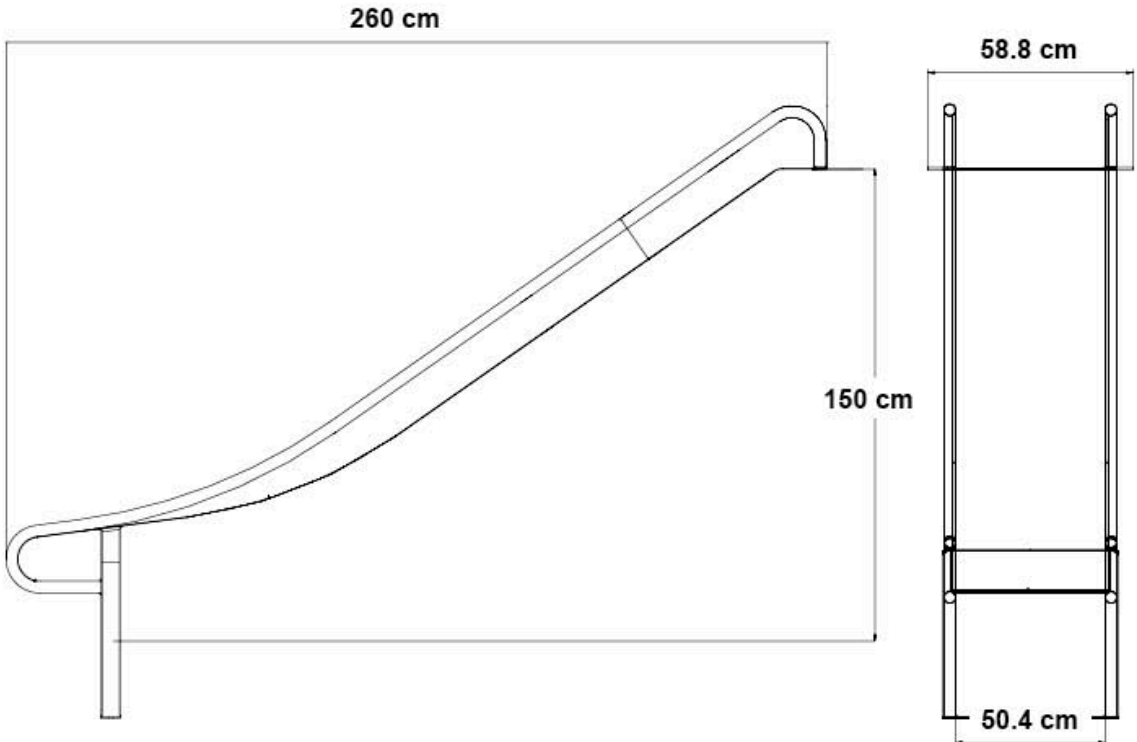
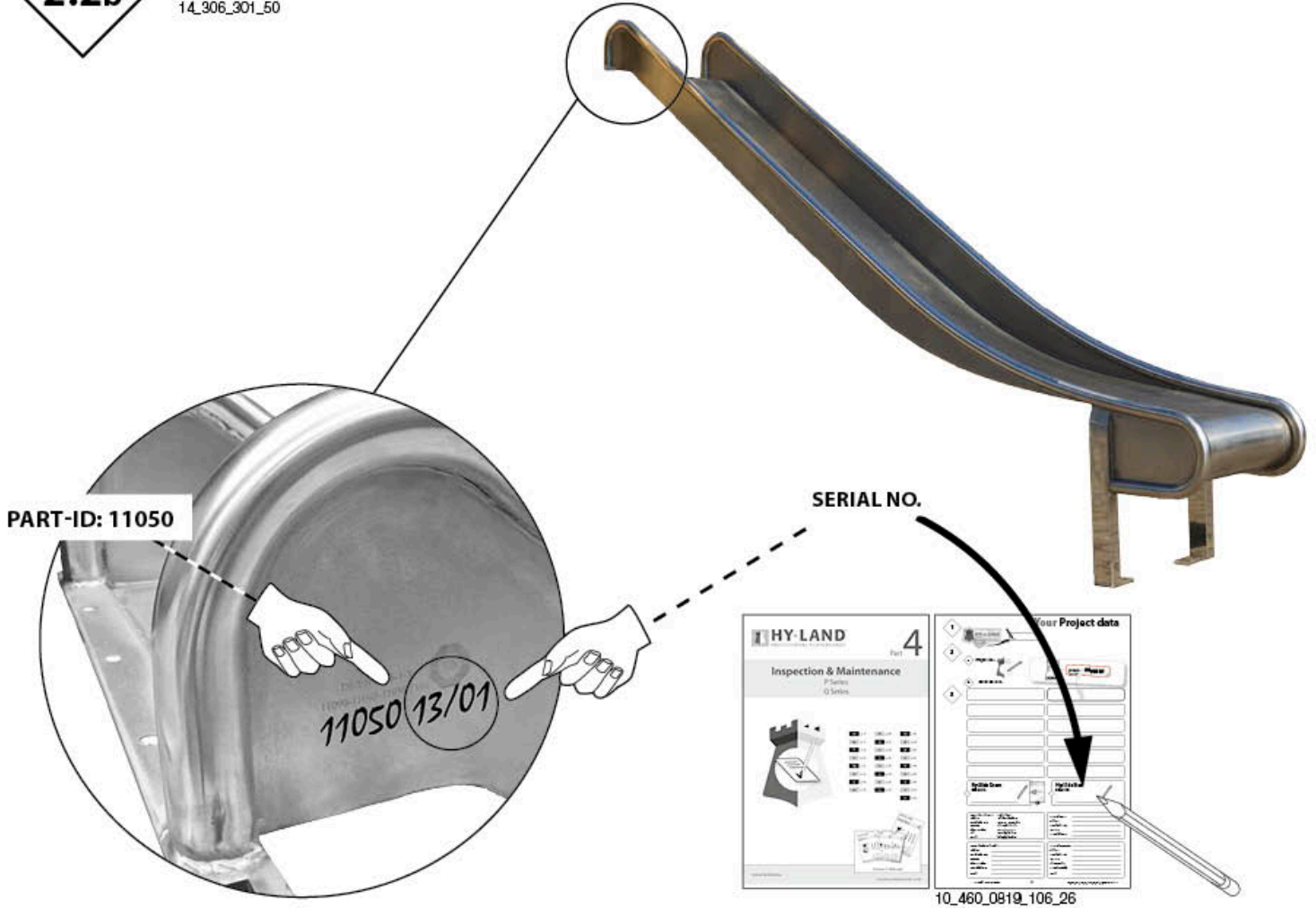
PART-ID: 331.xxx



2.2b

Hy-Slide Stainless Steel

14_306_301_50



2.3

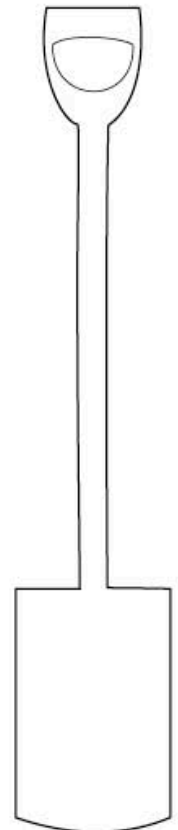
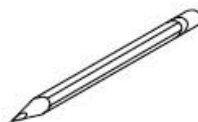
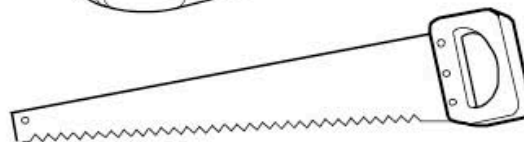
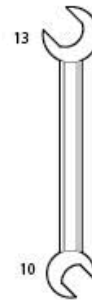
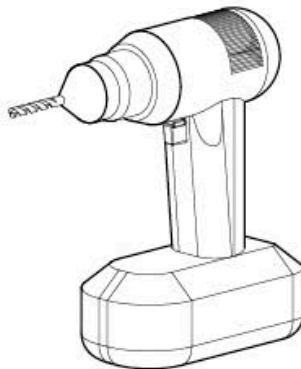
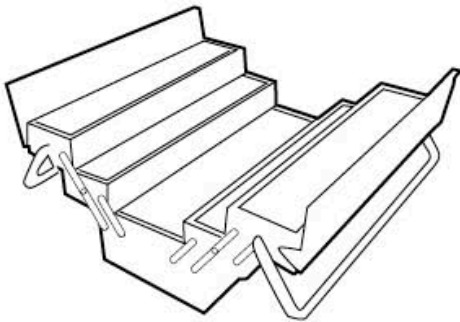
Timber



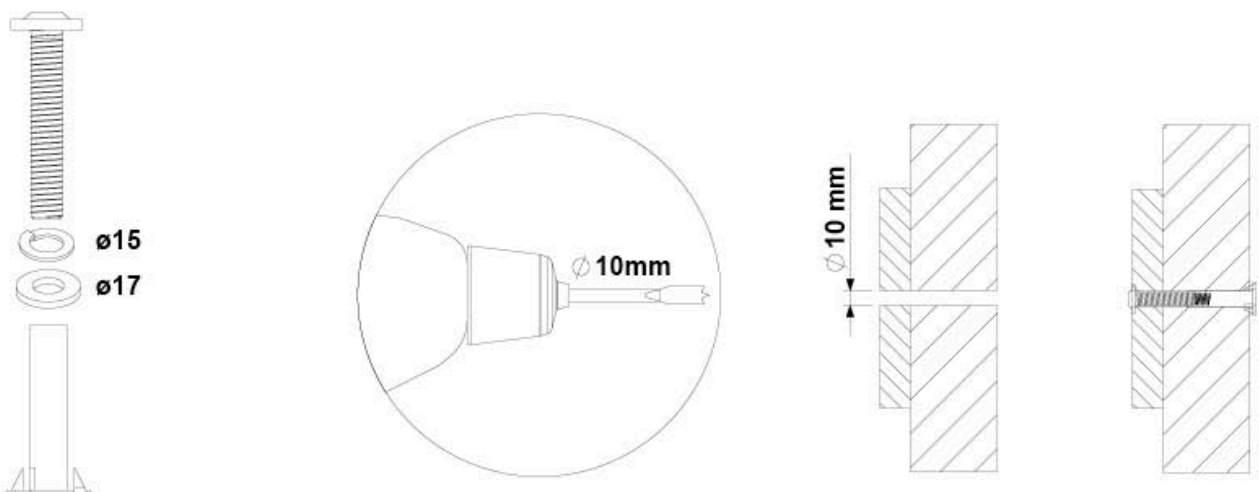
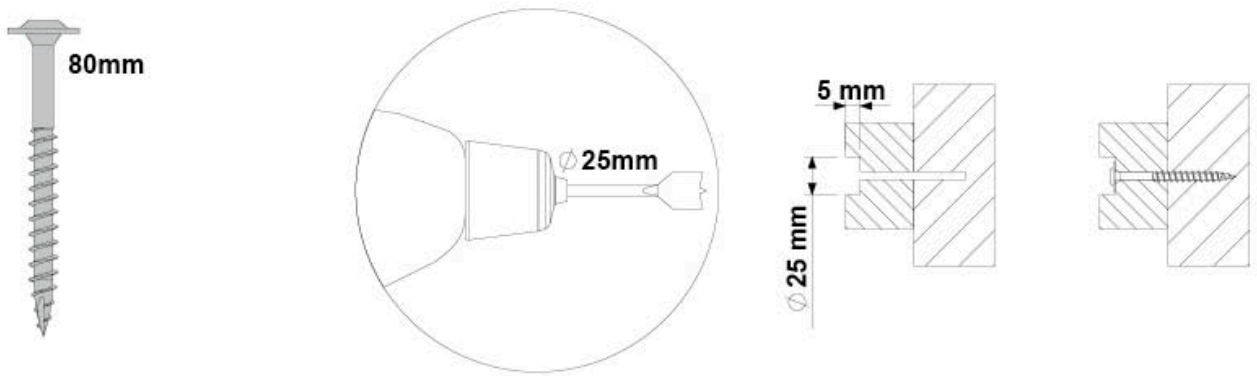
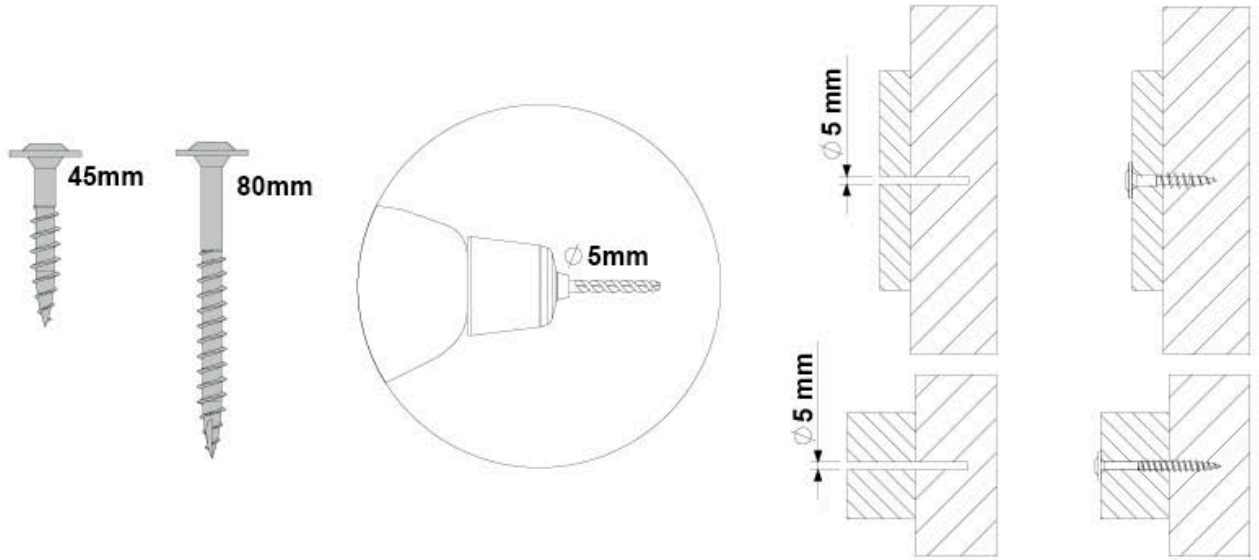
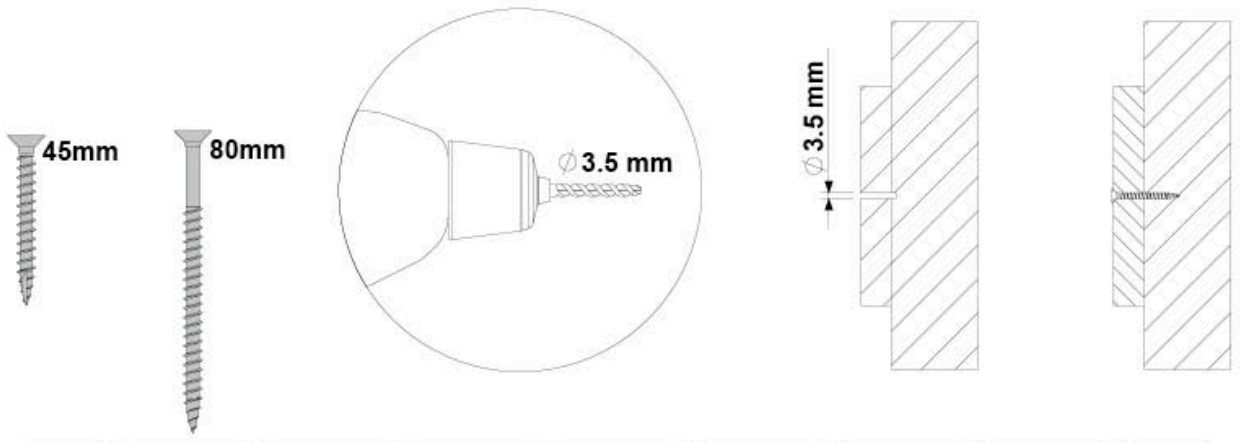
10_460_0019_102_26

3.1

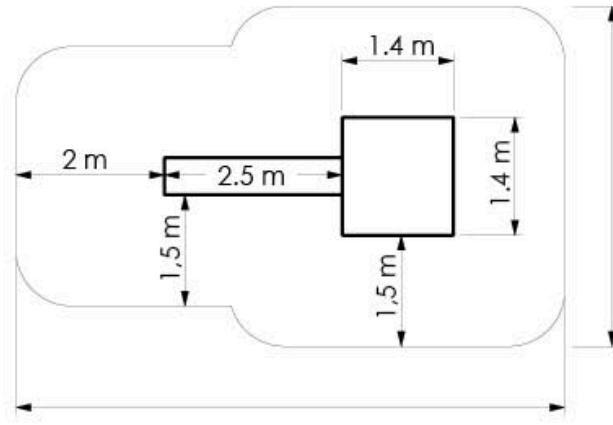
Tools



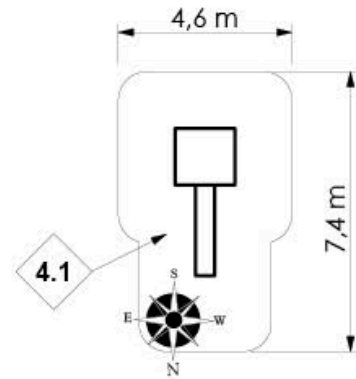
3.2



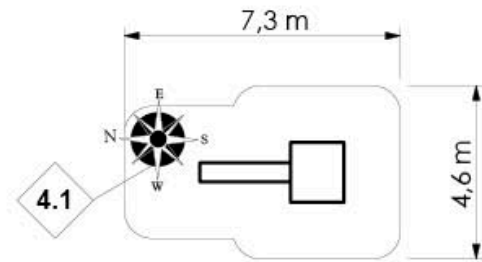
4



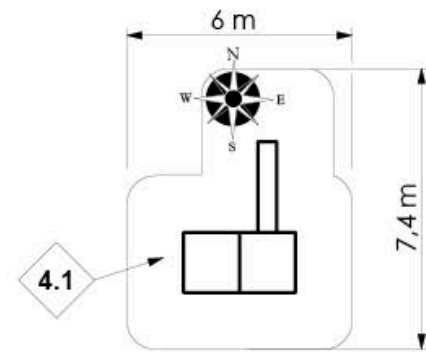
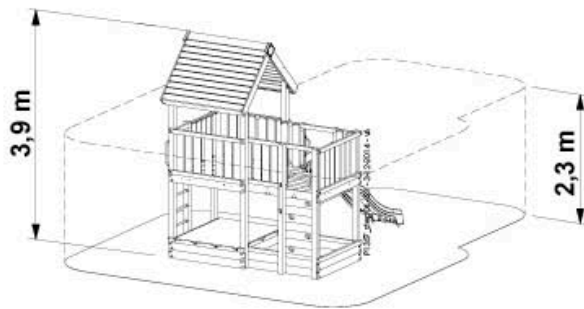
1



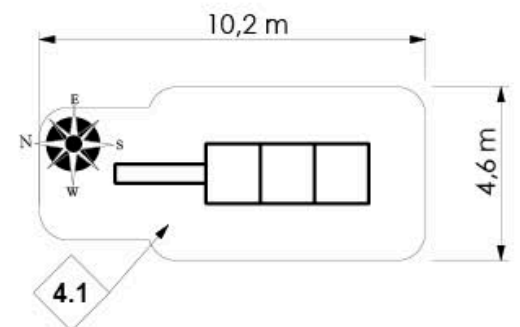
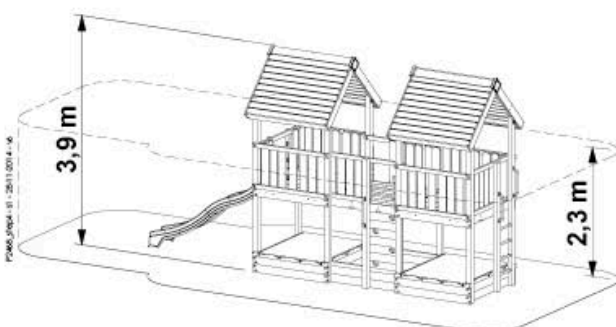
2

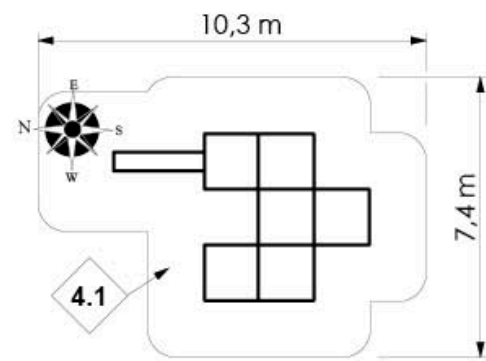
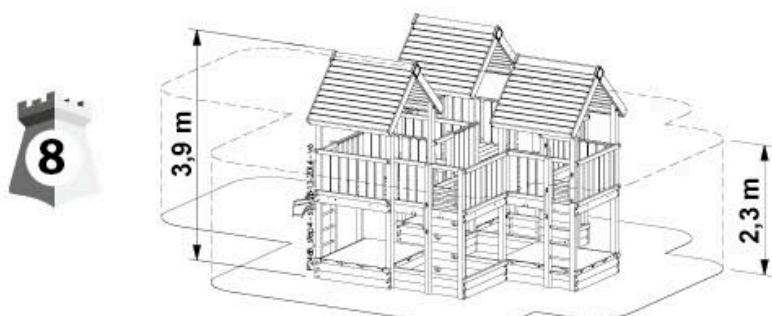
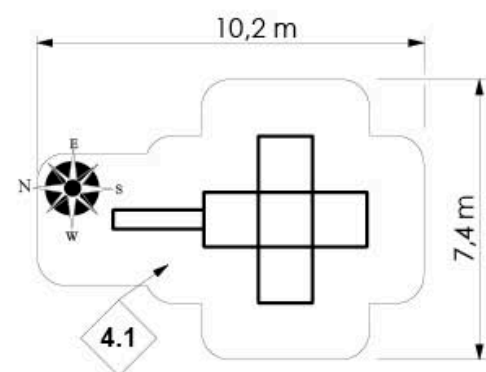
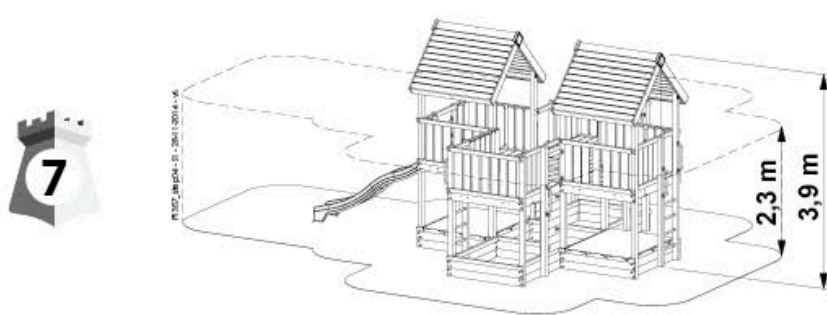
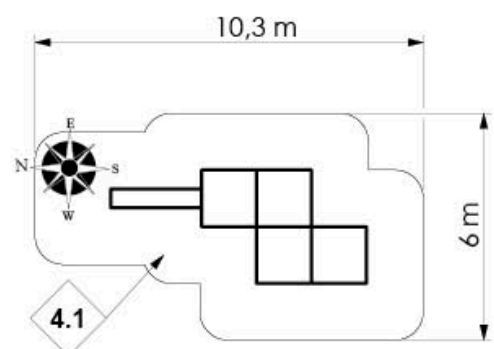
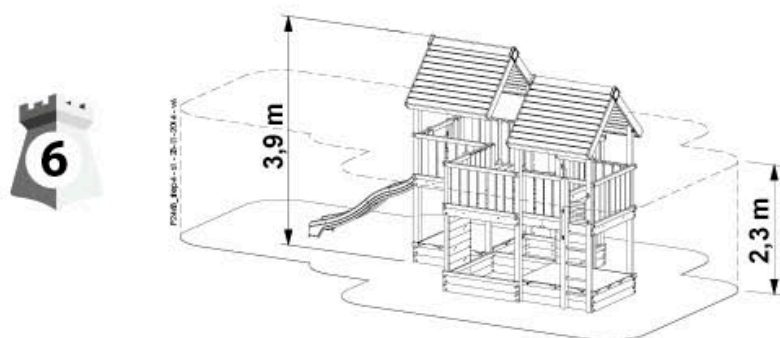
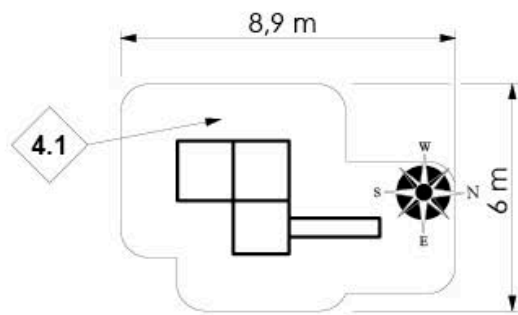


3



4



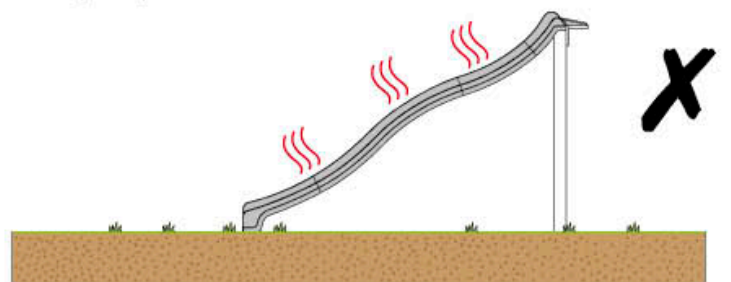
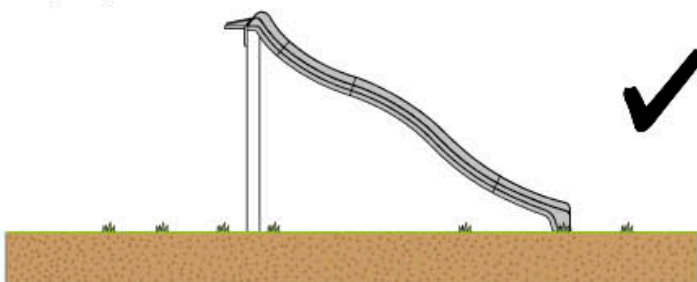
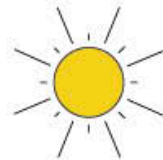
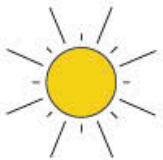
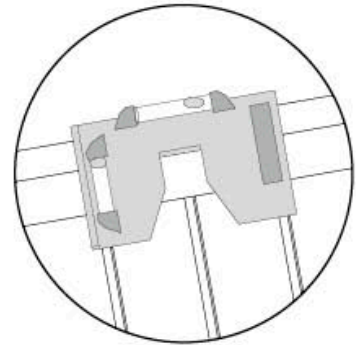
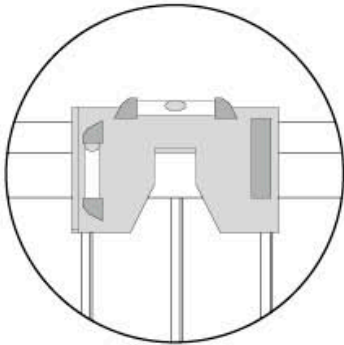
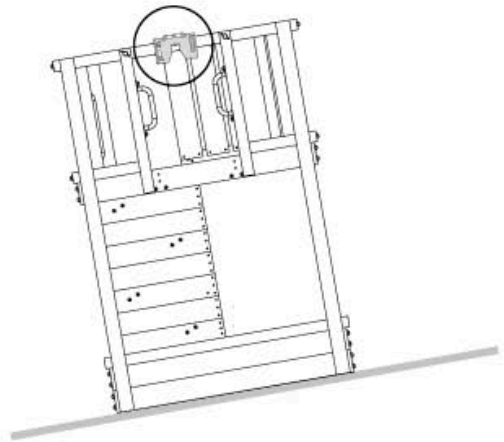


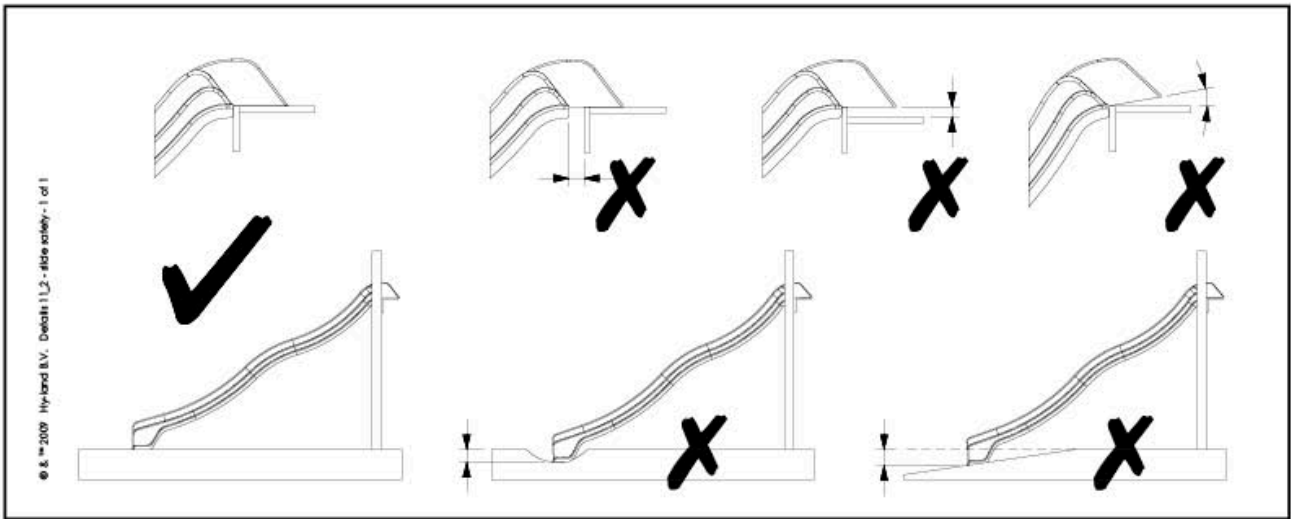


1x

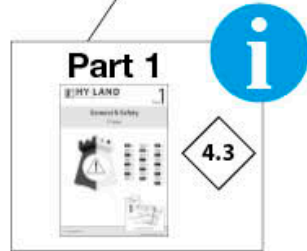
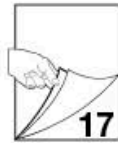
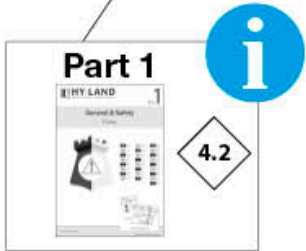
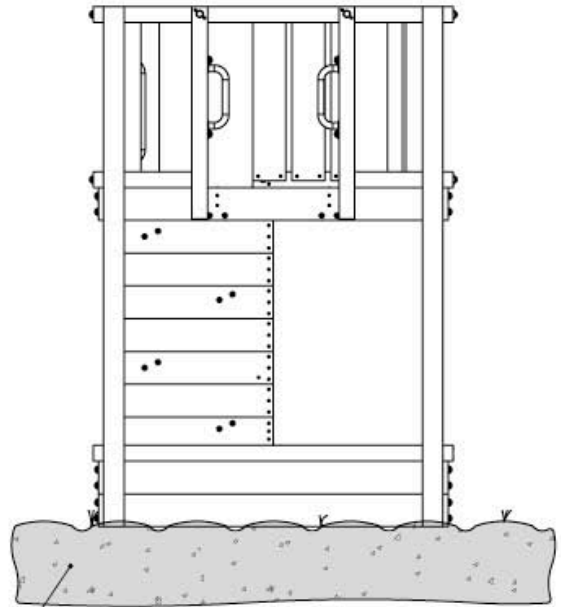
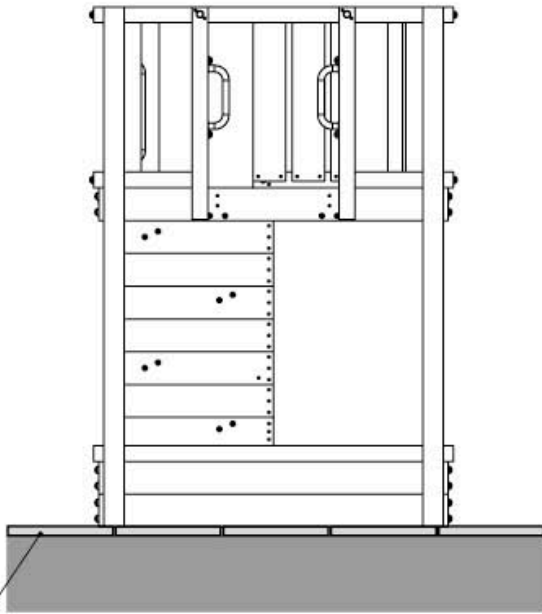


10_209_2031_105_05

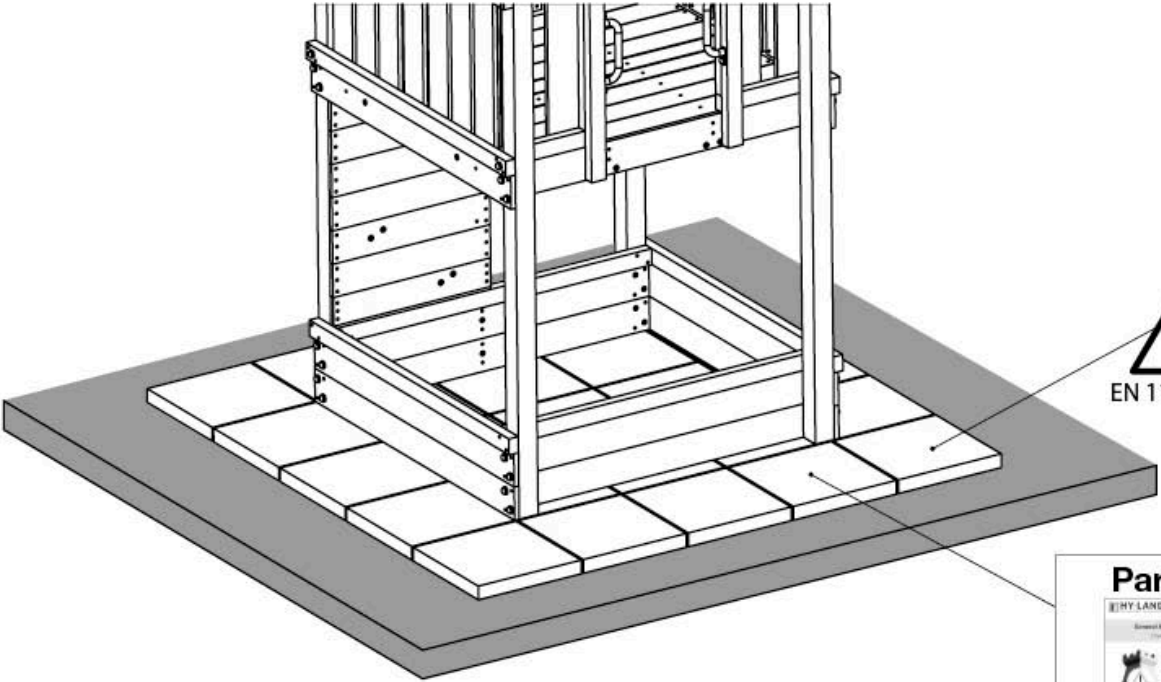




4.1



4.2



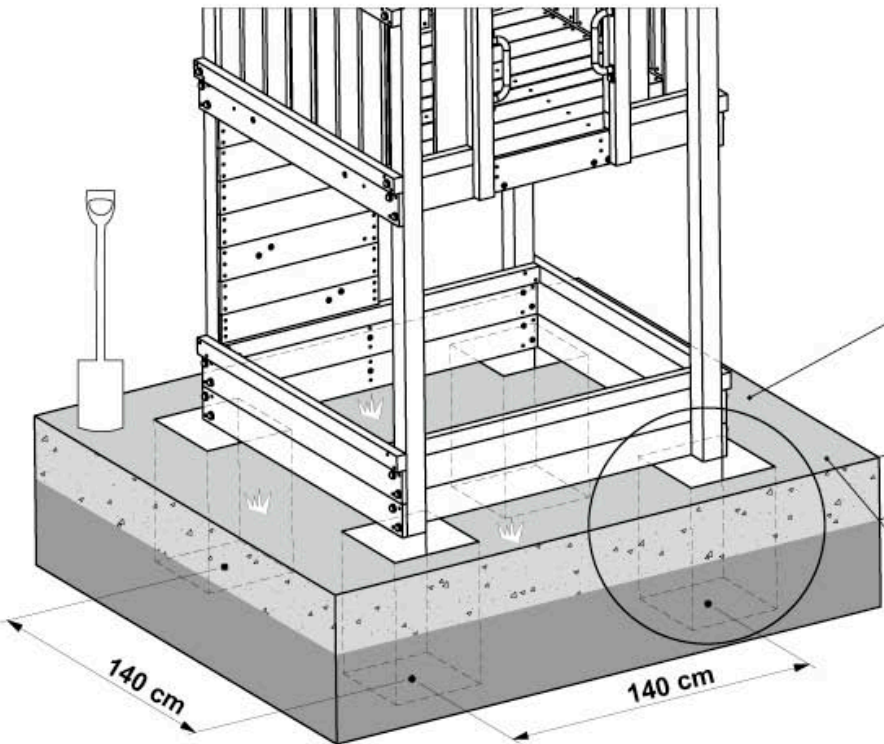
EN 1176:2017

i

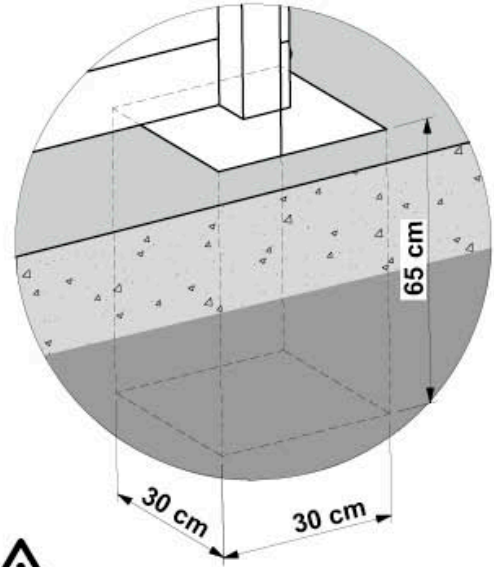
Part 1

4.2

4.3



EN 1176:2017



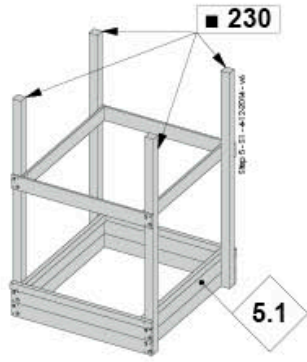
i

Part 1

4.3

5

1



5.1

2

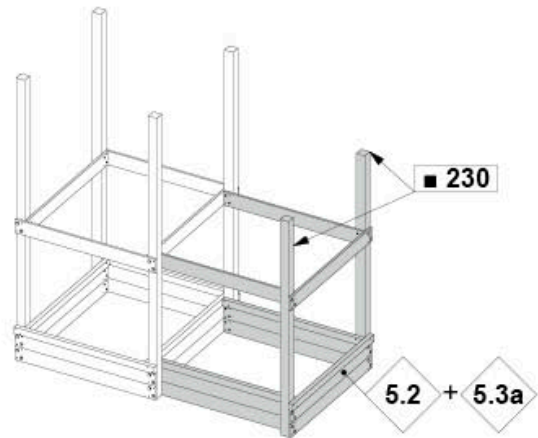
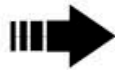


5.1

3

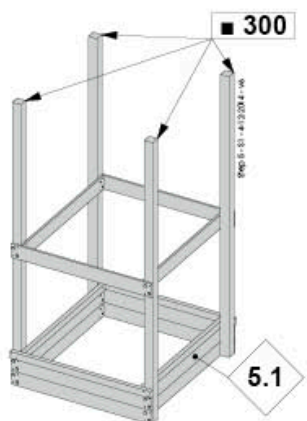


5.1

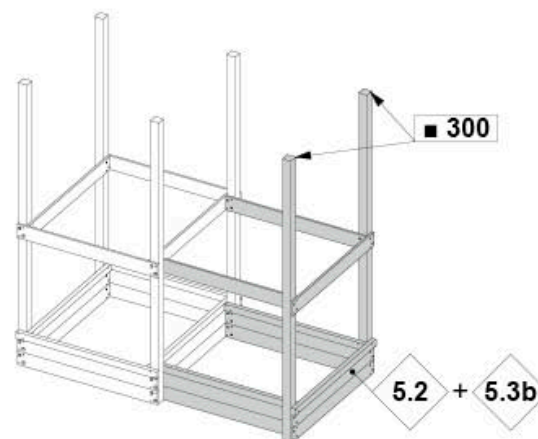


5.2 + 5.3a

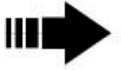
4

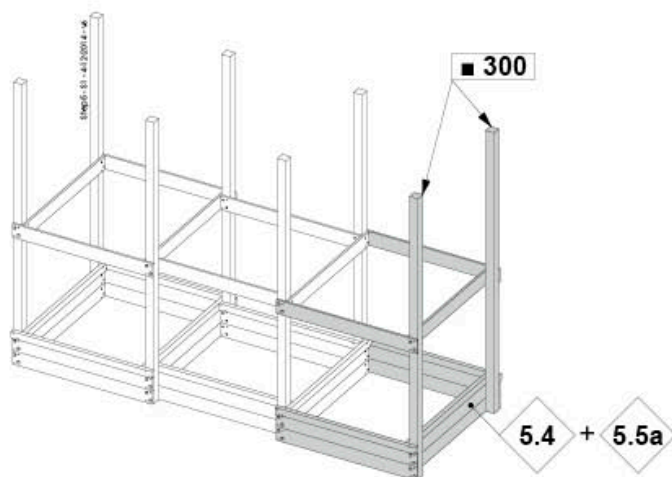


5.1



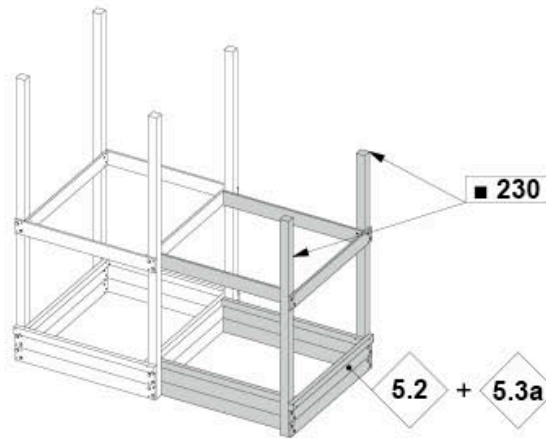
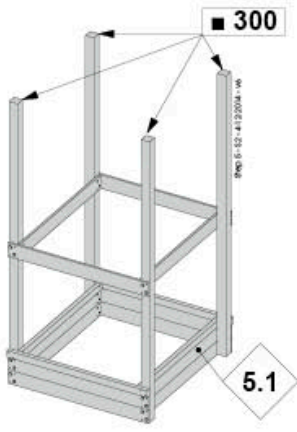
5.2 + 5.3b



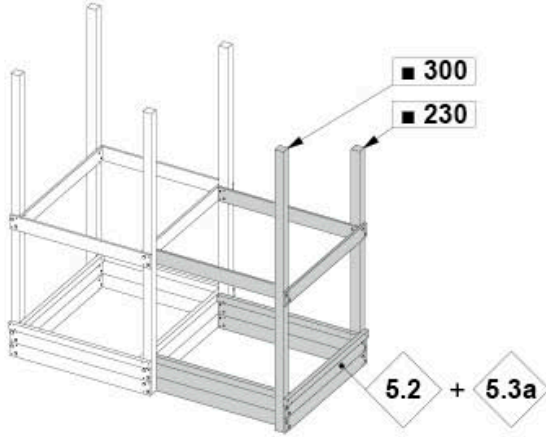


5

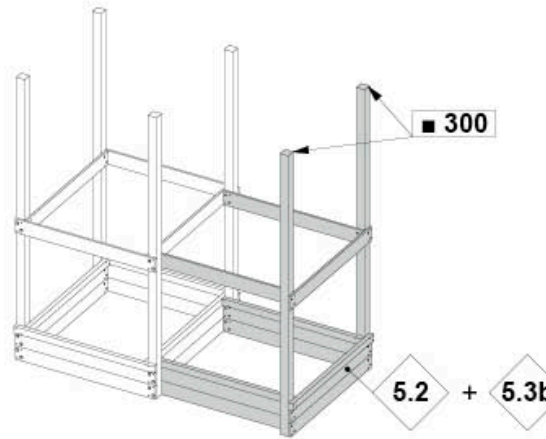
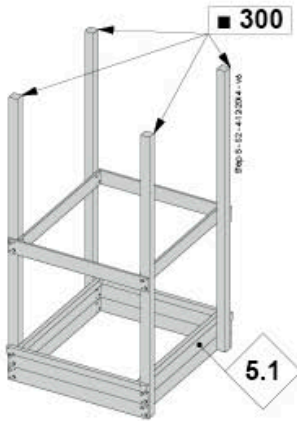
5



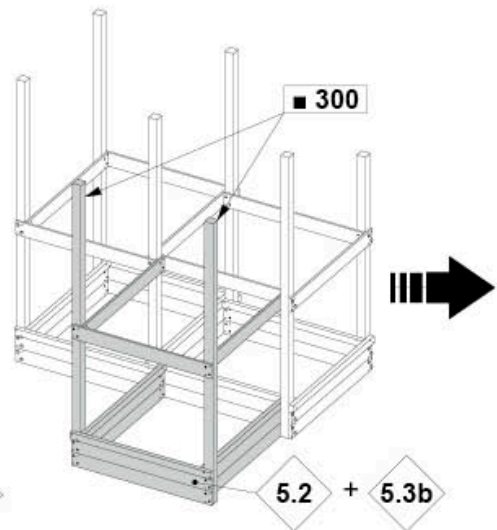
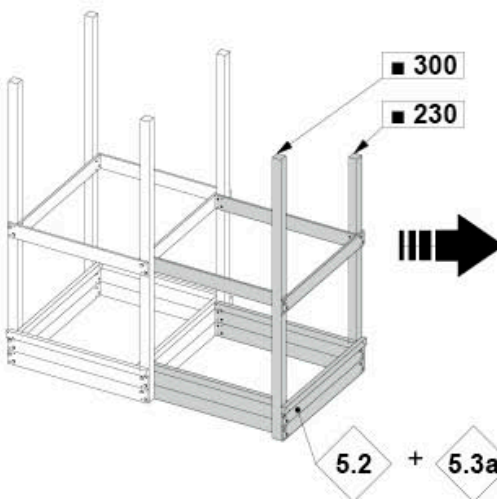
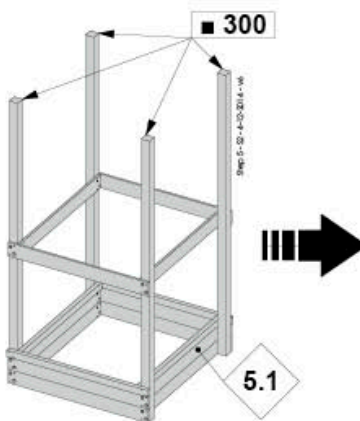
6

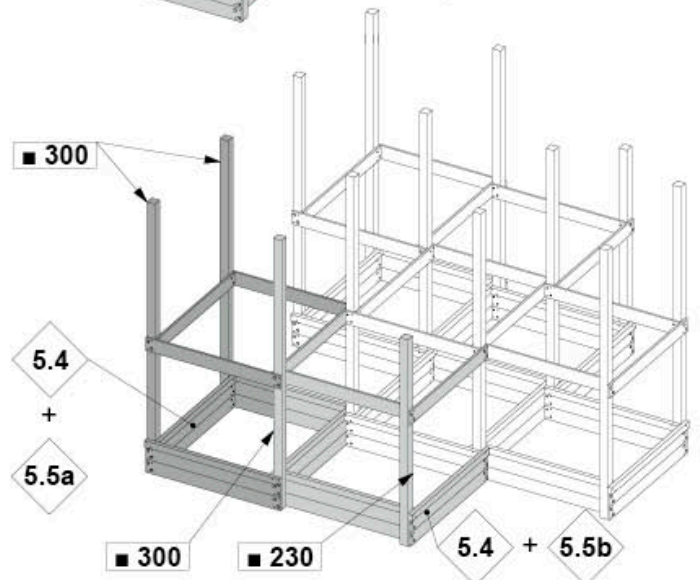
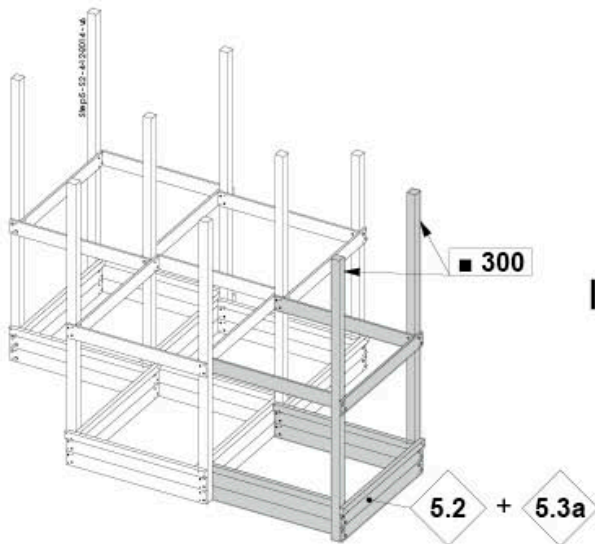
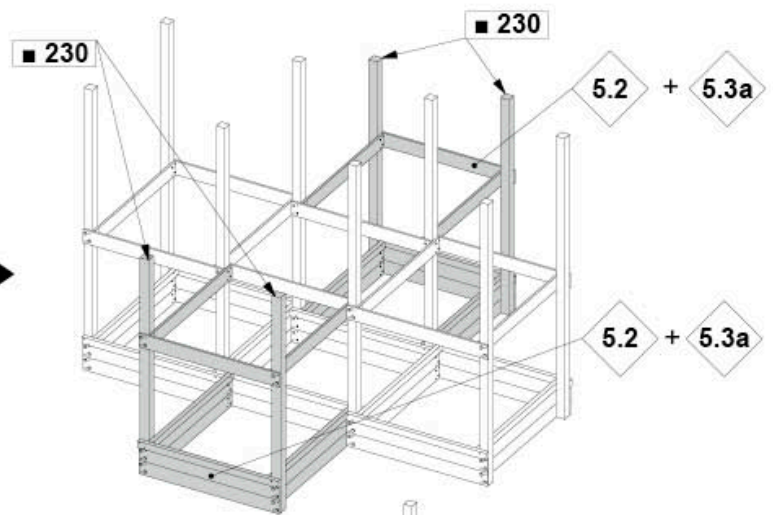
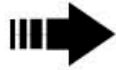
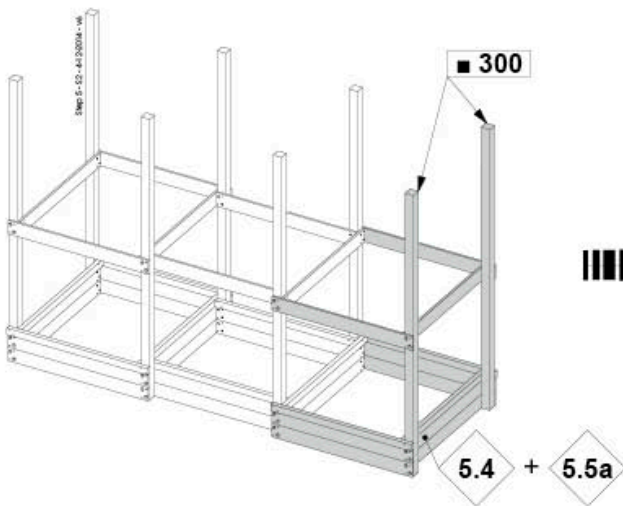
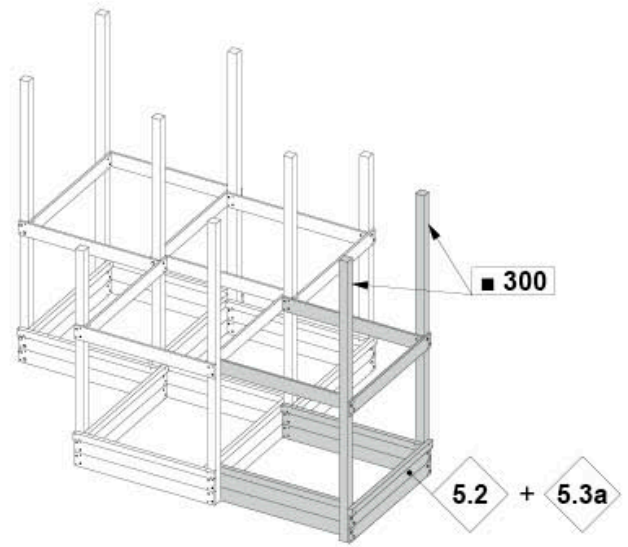
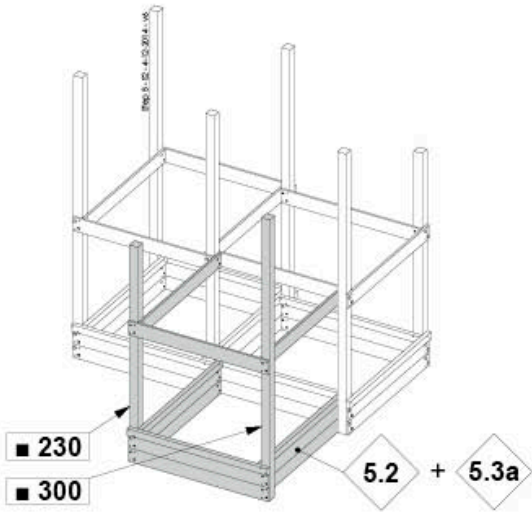
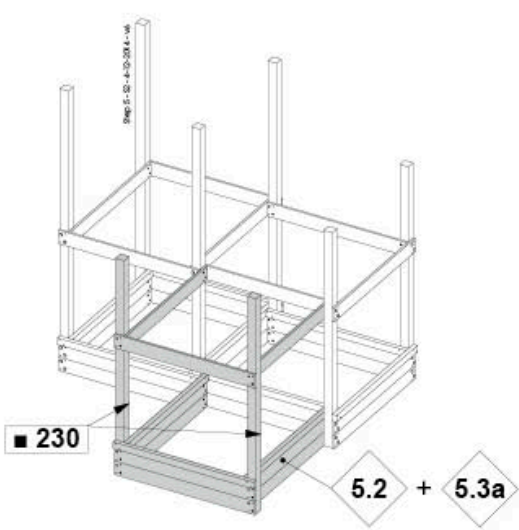


7



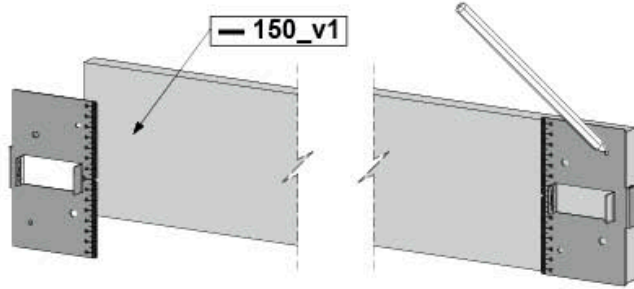
8





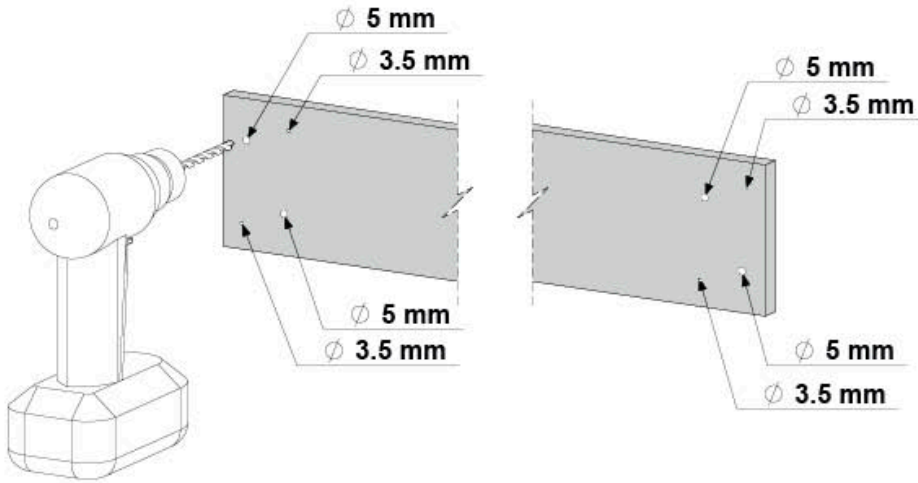
5

1

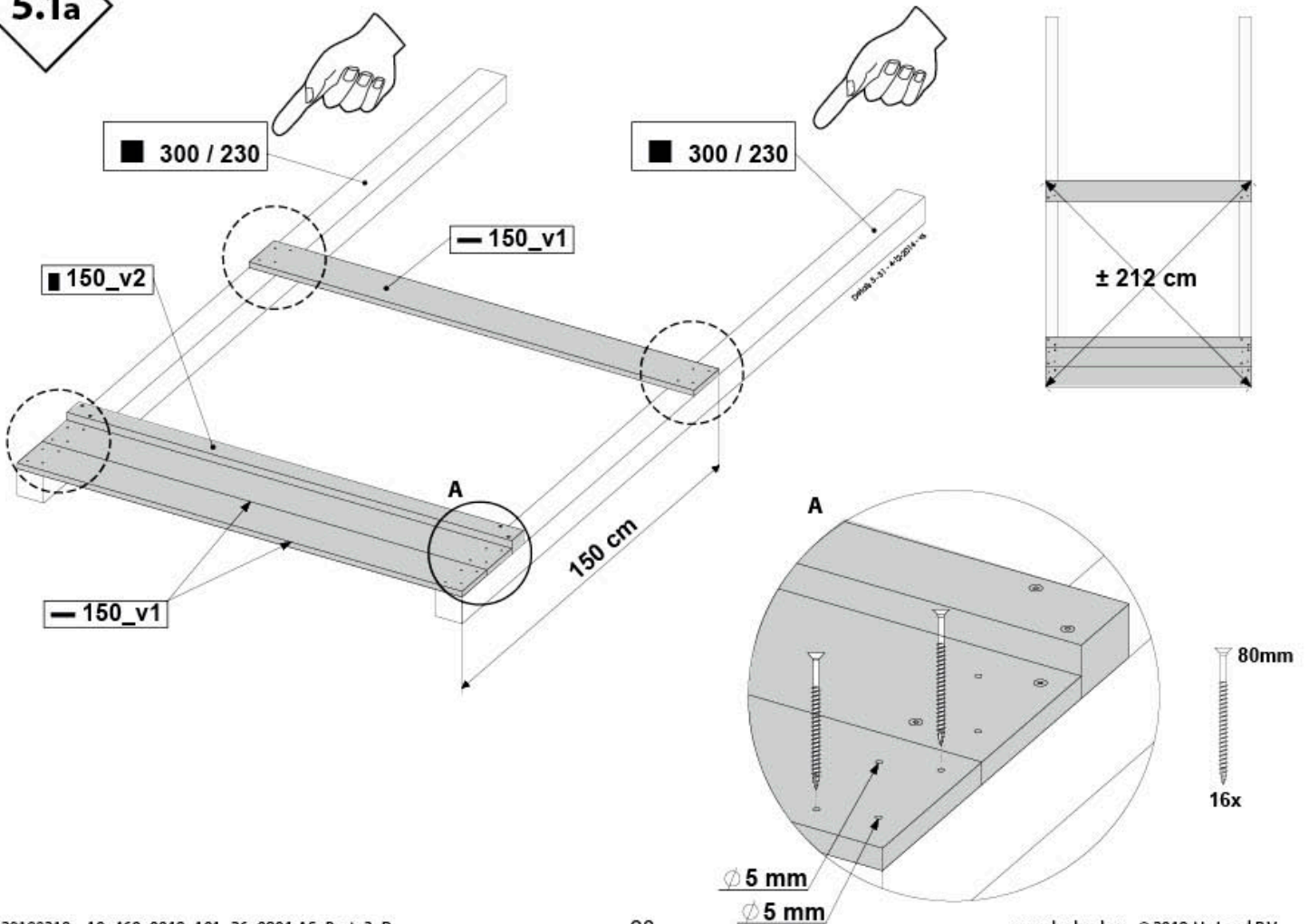


1	2	3	4	5	6	7	8
-	4x	4x	8x	4x	8x	8x	12x

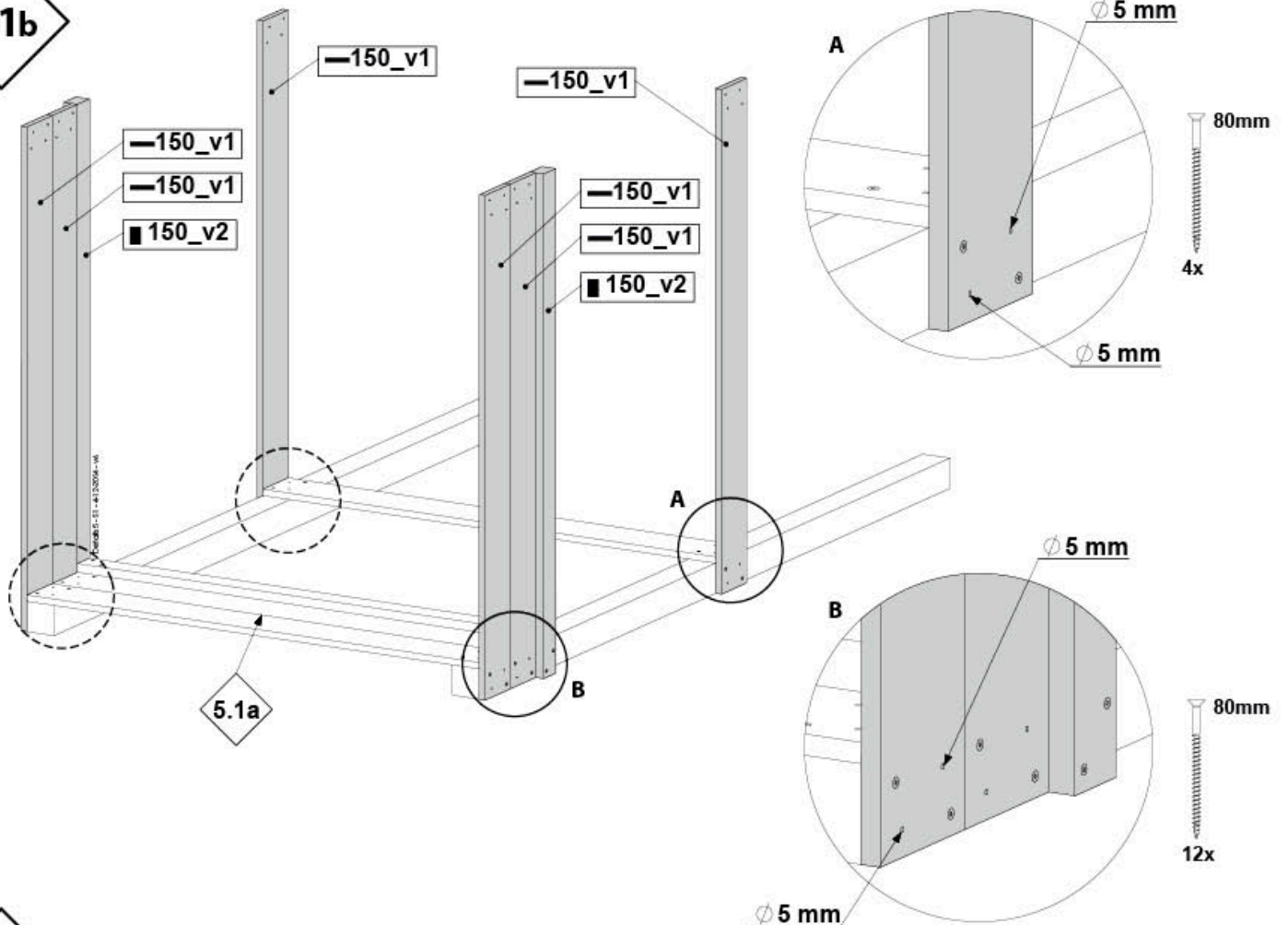
2



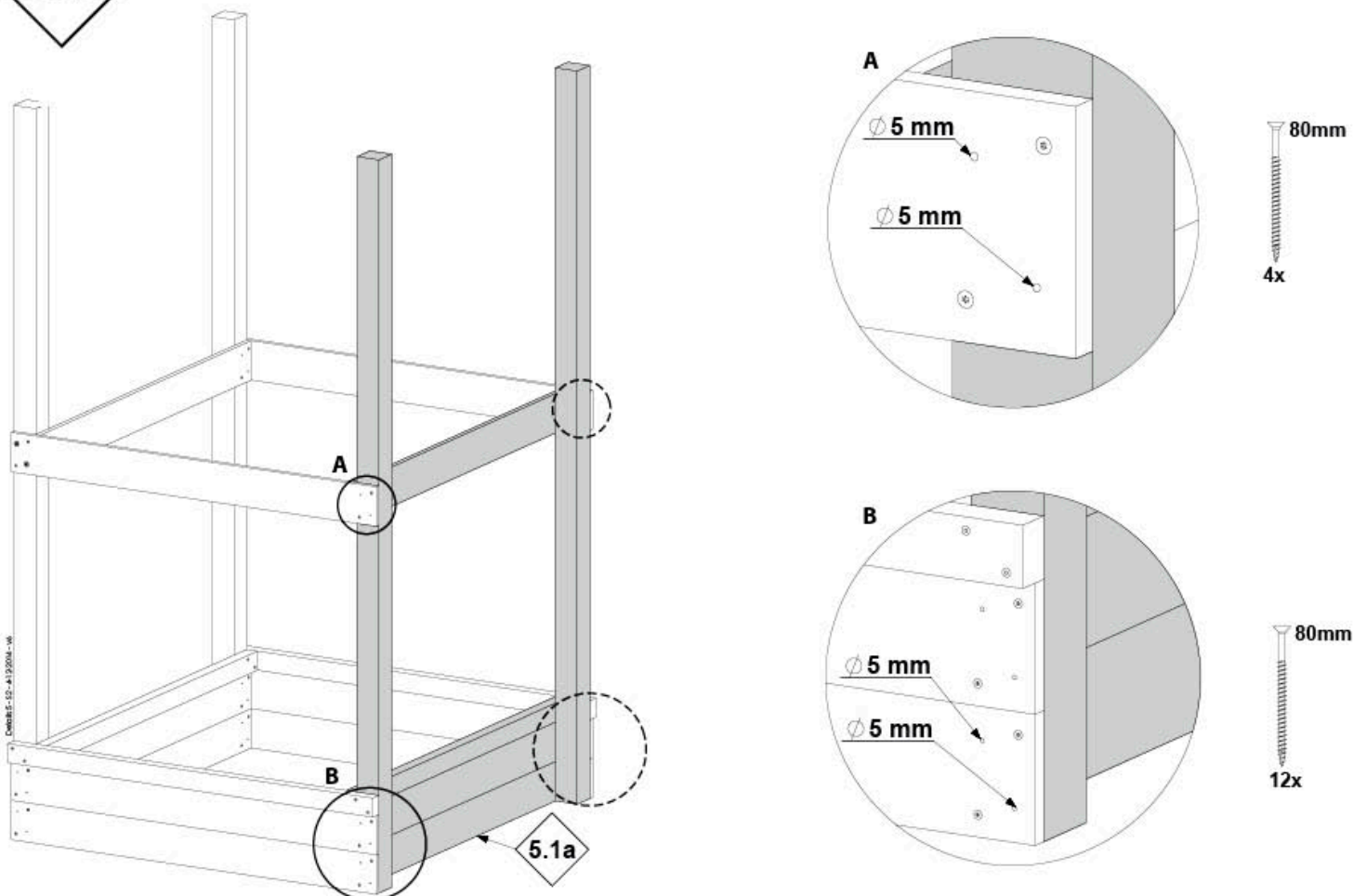
5.1a



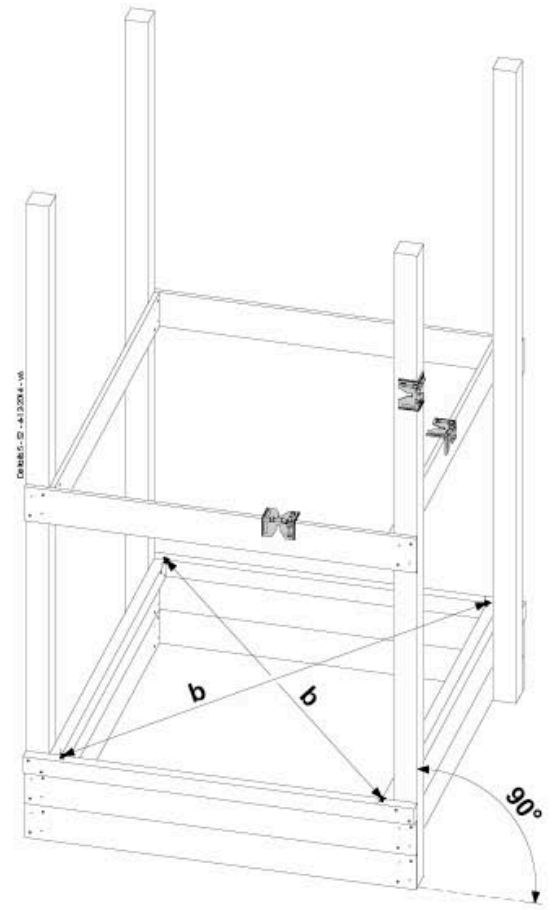
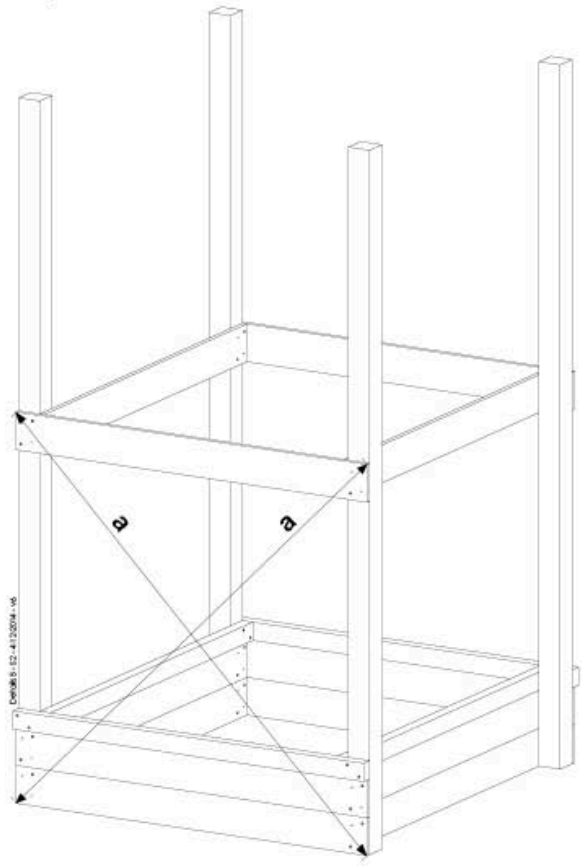
5.1b



5.1c

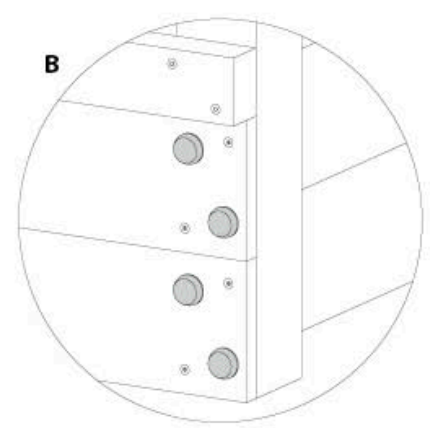
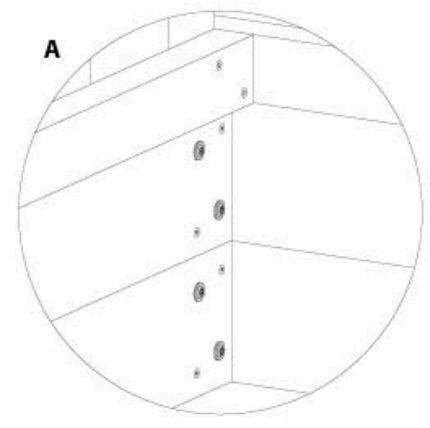
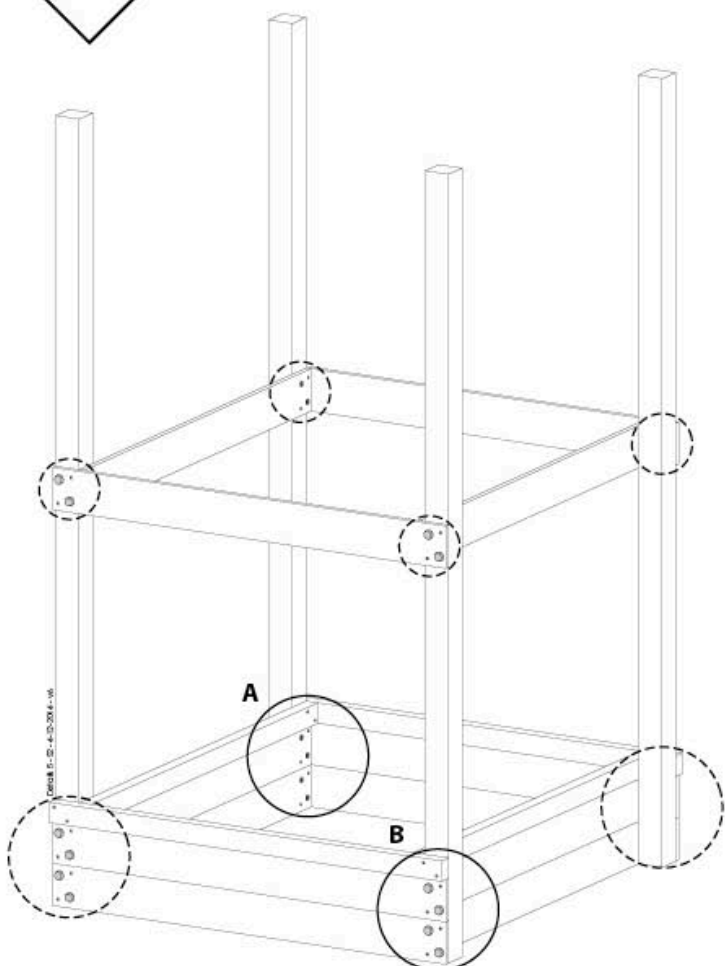


5.1d

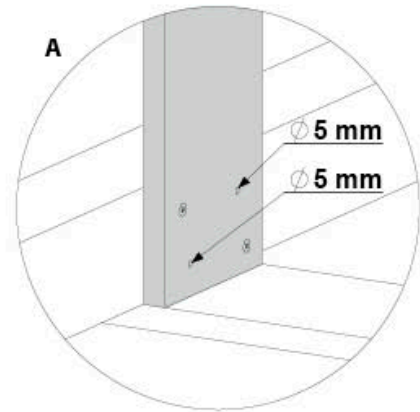
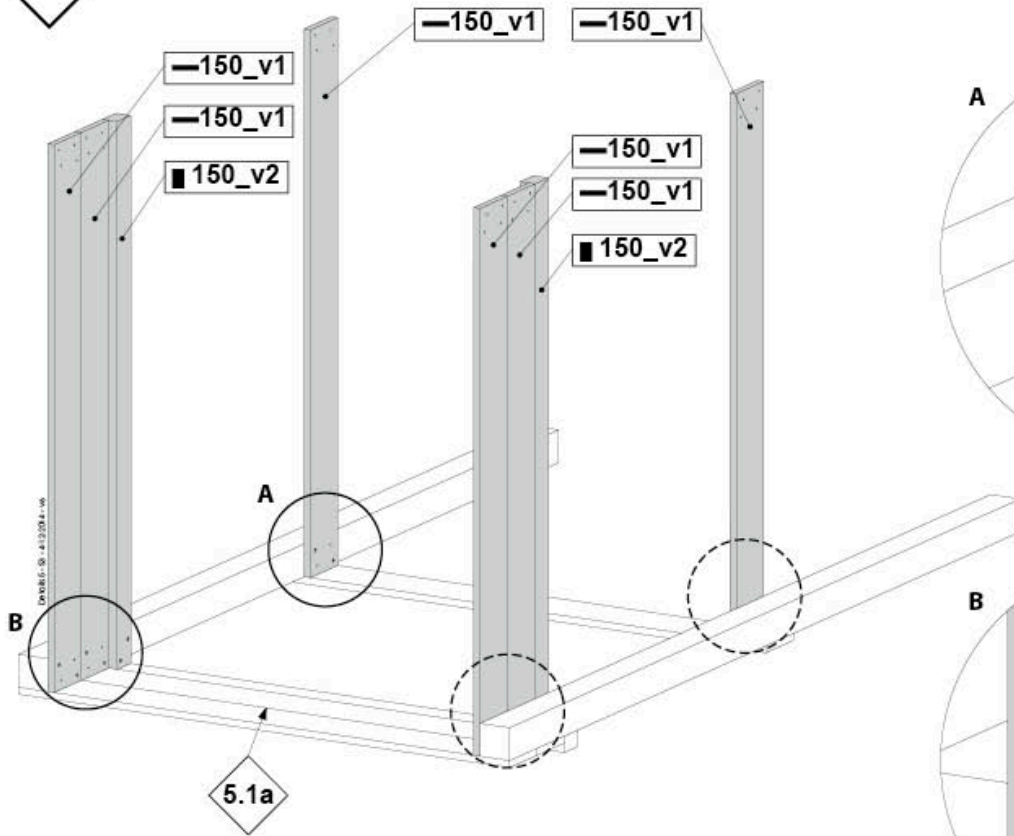


a = a
b = b

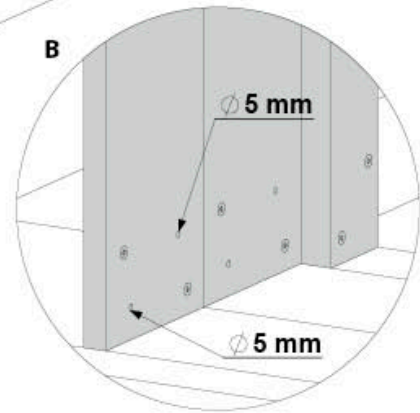
5.1e



5.2a

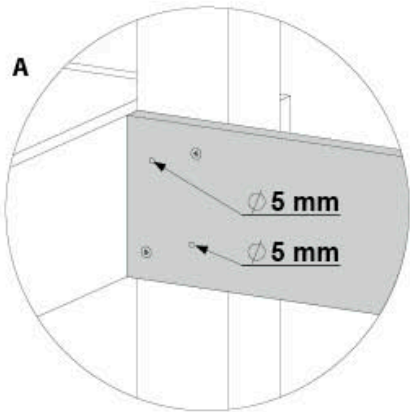
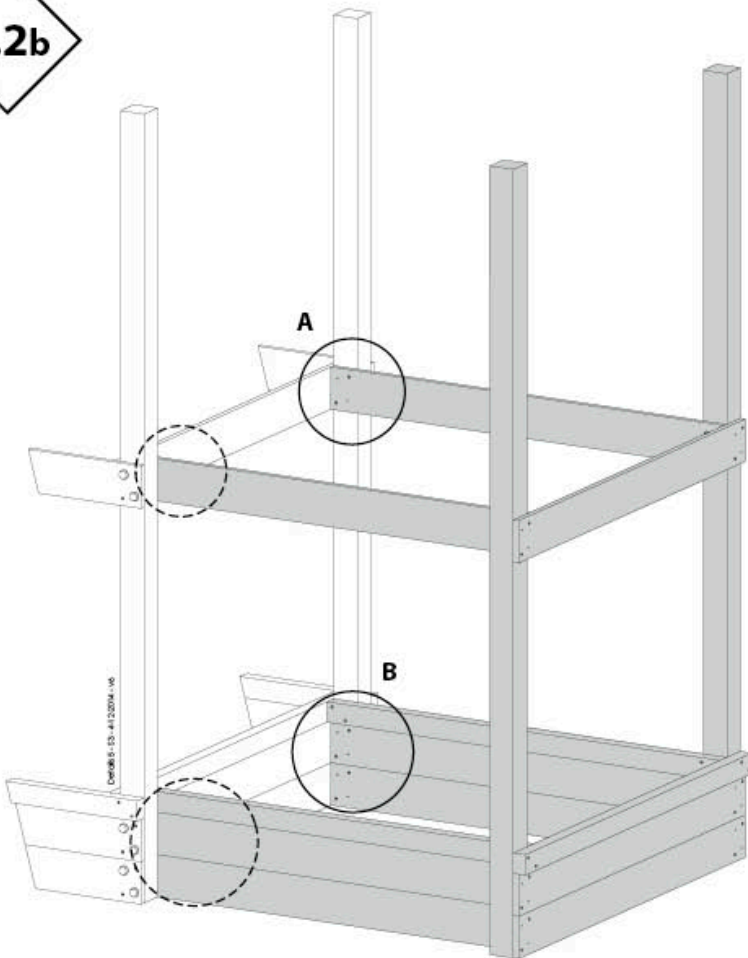


80mm
4x

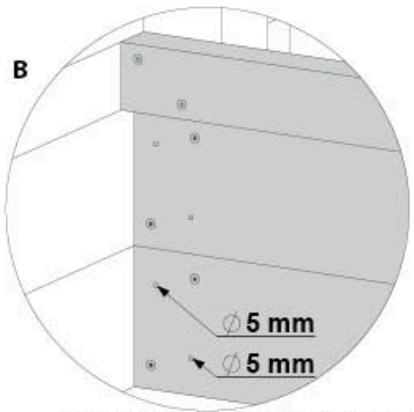


80mm
12x

5.2b

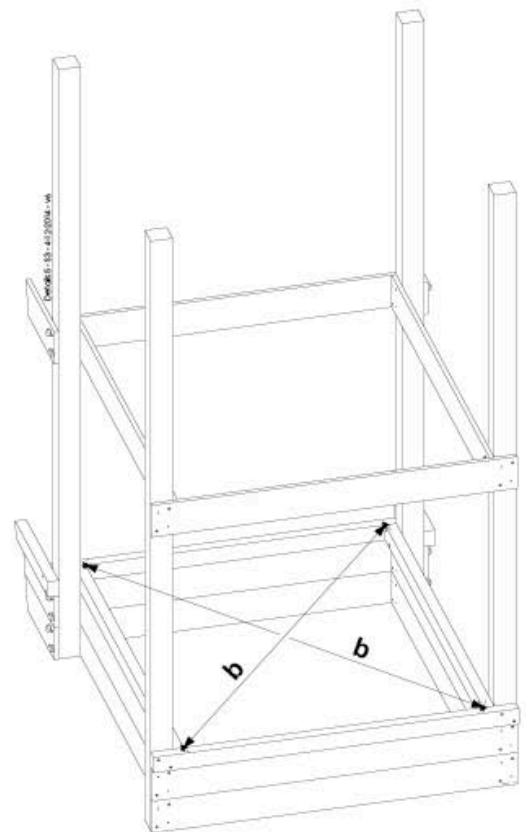
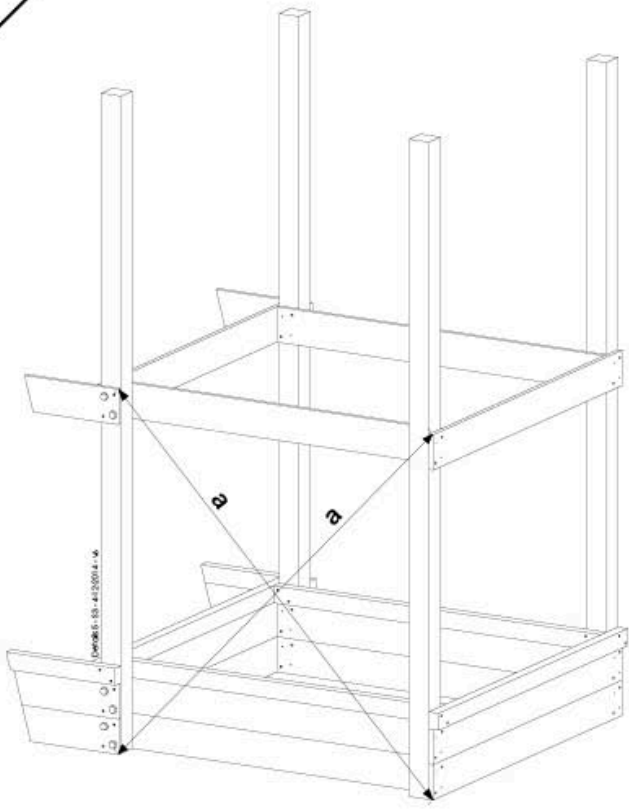


80mm
4x



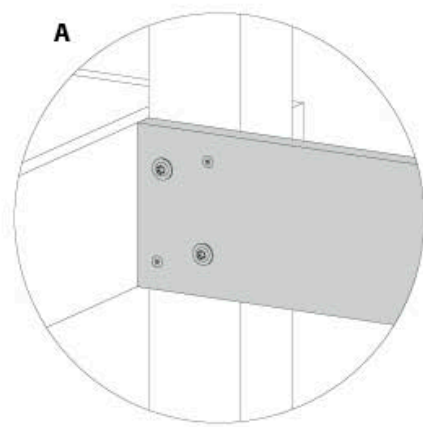
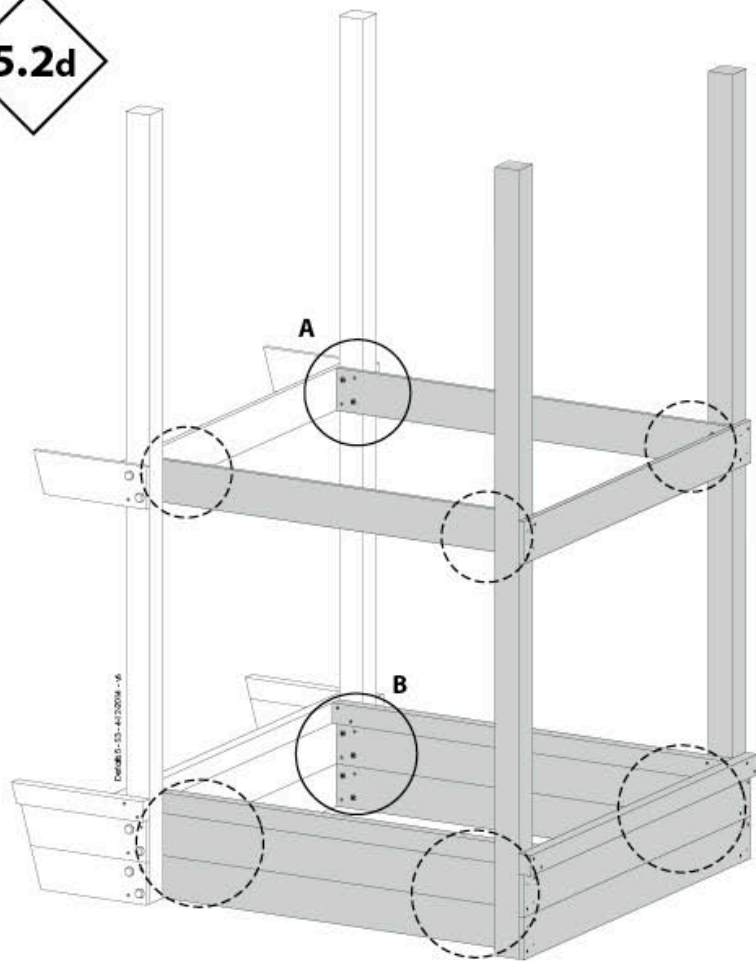
80mm
12x

5.2c

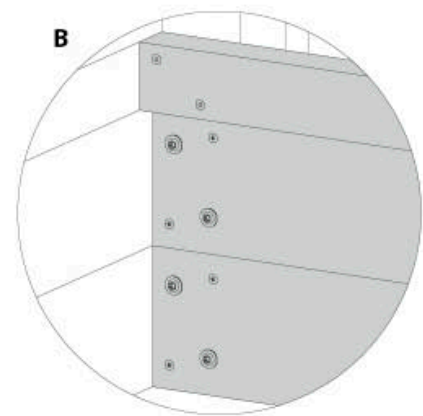


a = a
b = b

5.2d

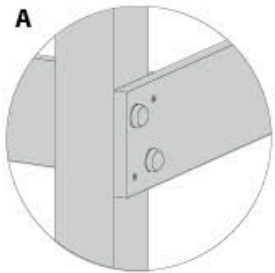
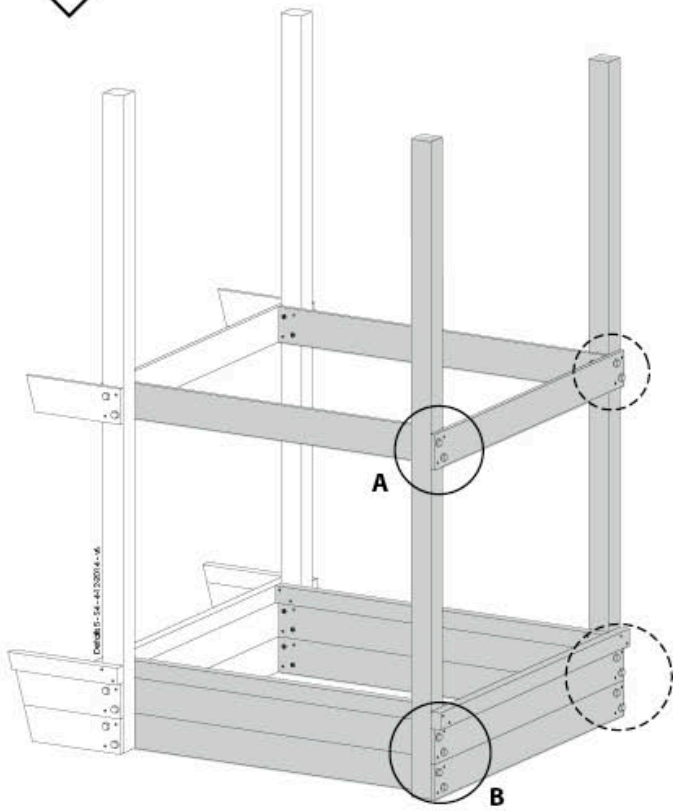


80 mm
8x

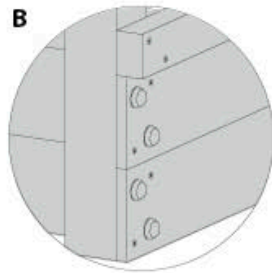


80 mm
16x

5.3a

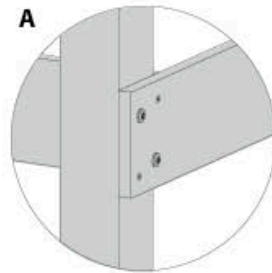
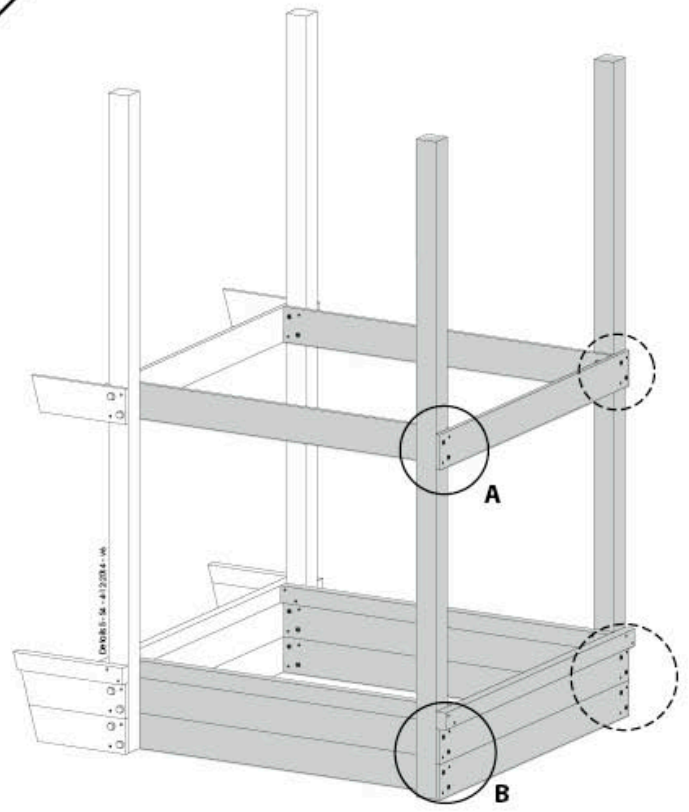


80mm
4x

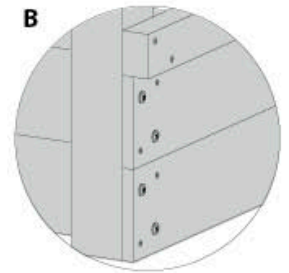


80mm
8x

5.3b

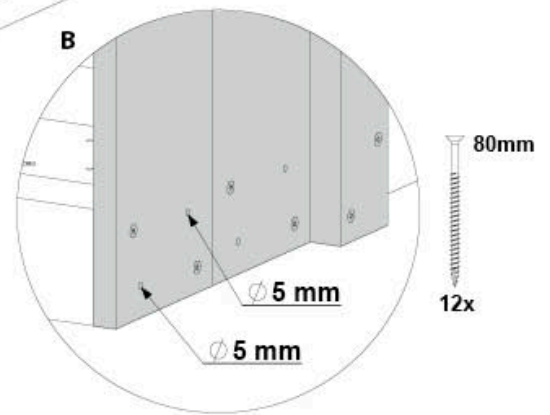
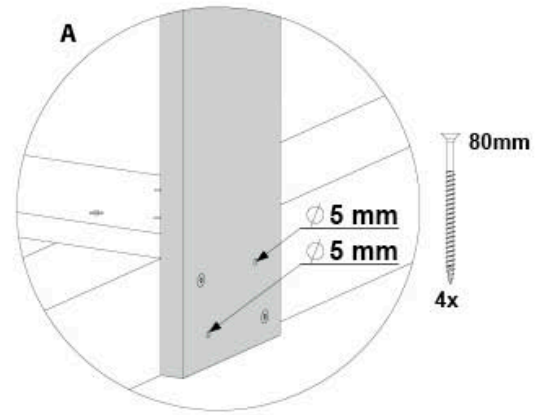
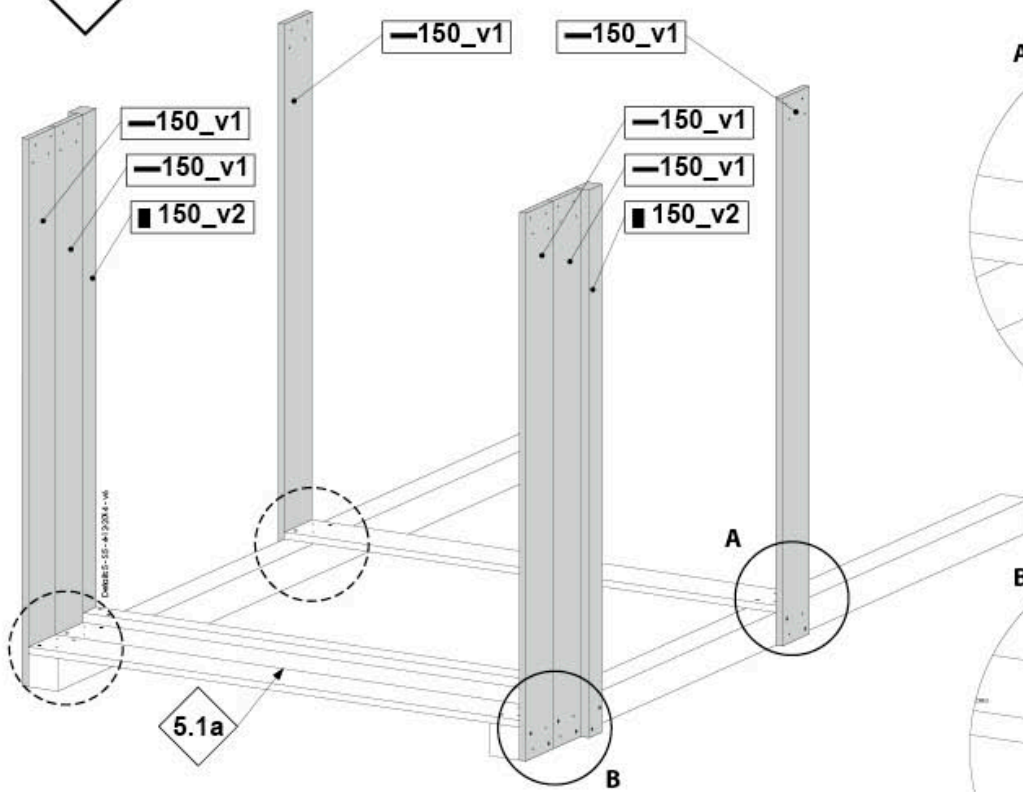


80mm
4x



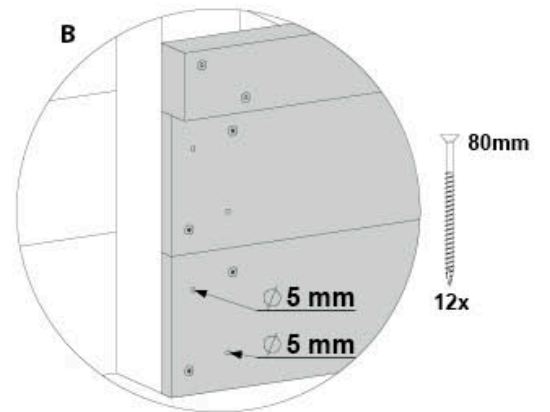
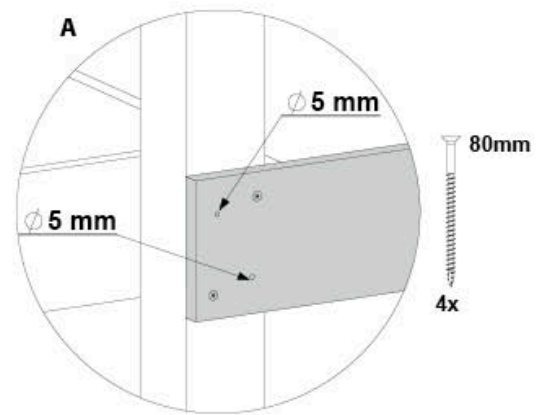
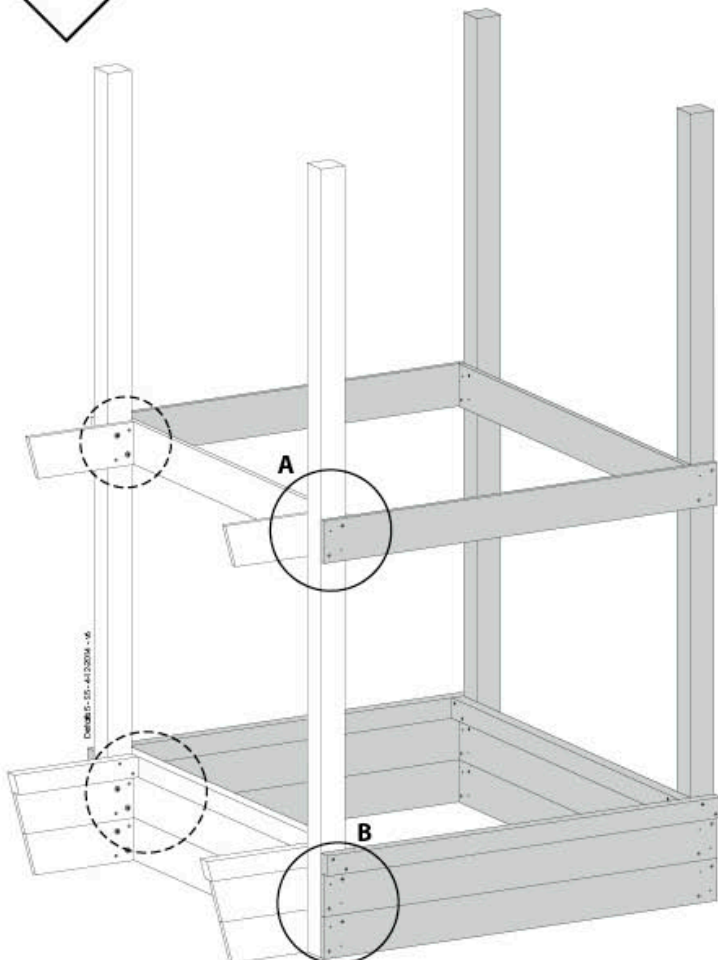
80mm
8x

5.4a

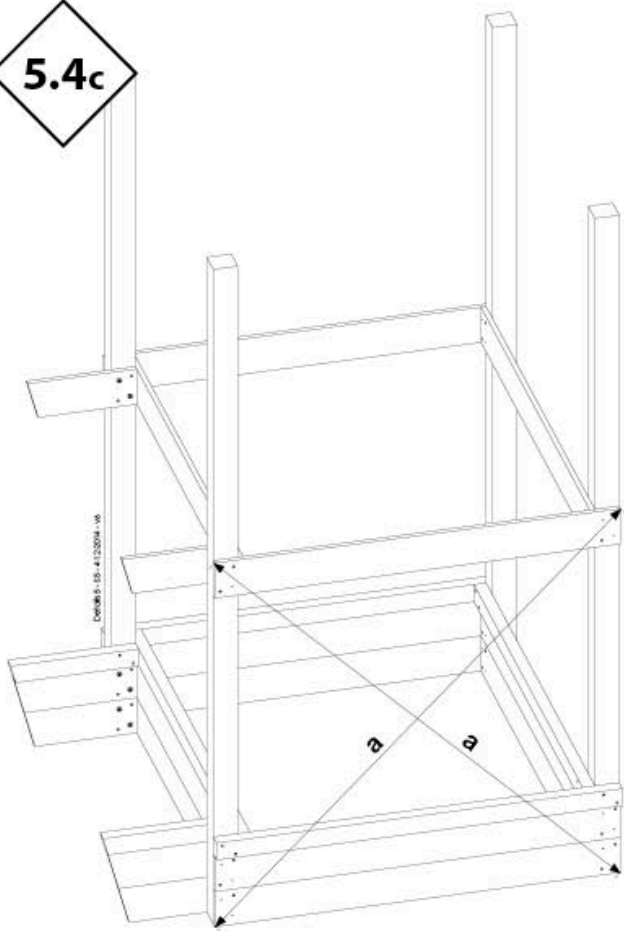


5.1a

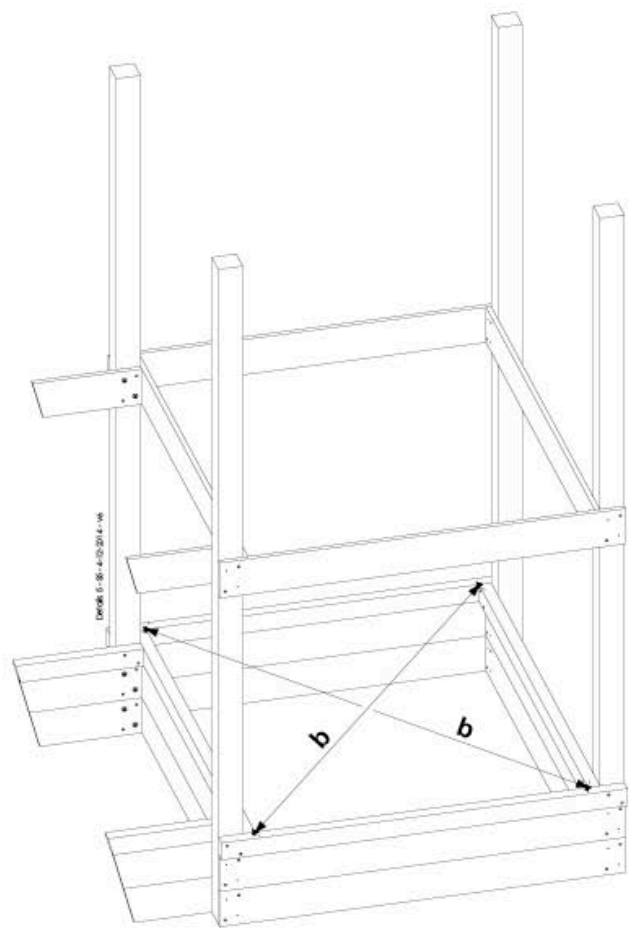
5.4b



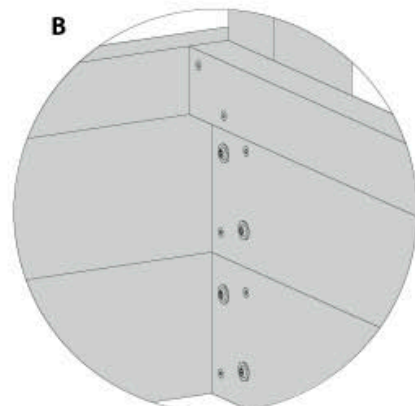
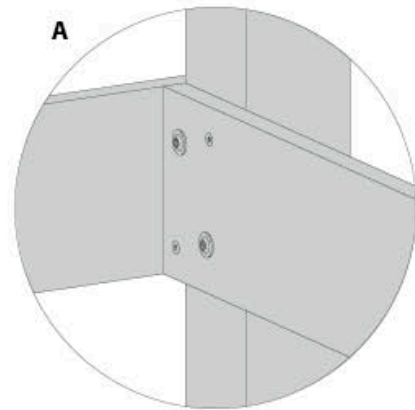
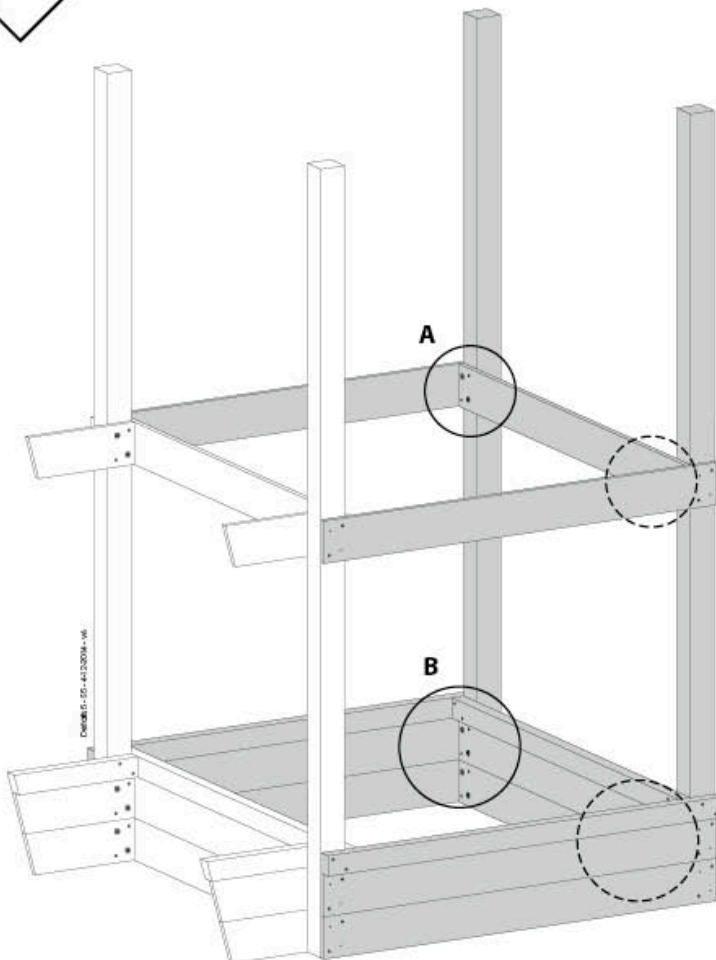
5.4c



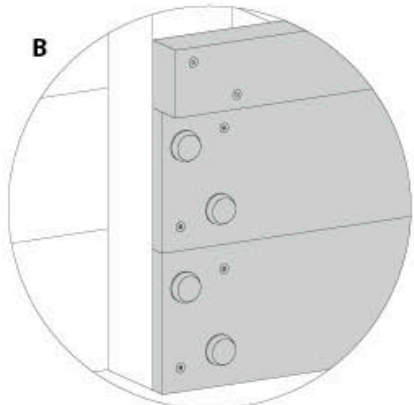
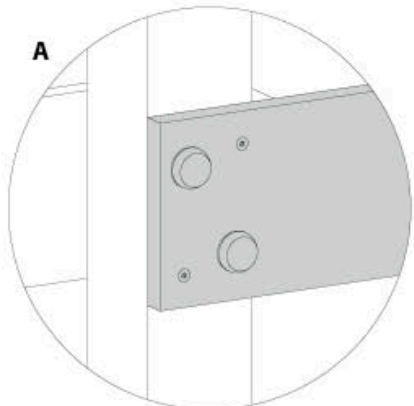
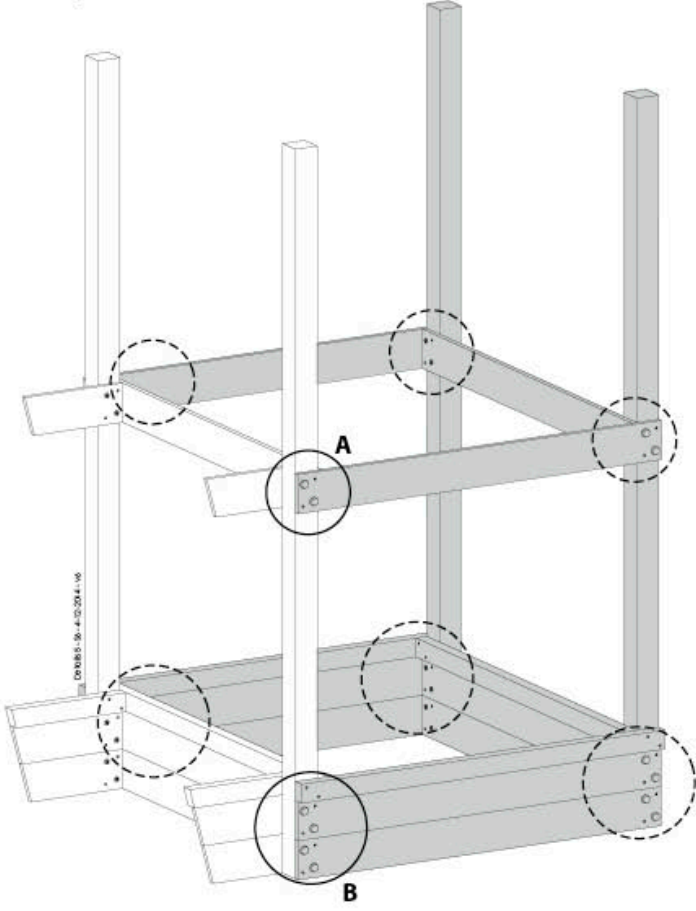
a = a
b = b



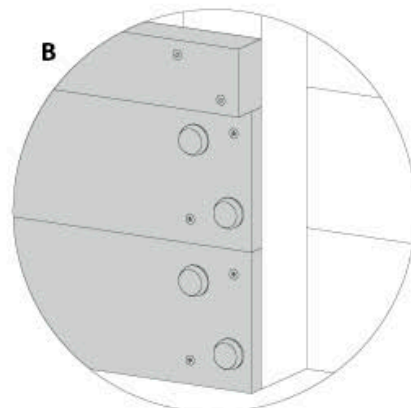
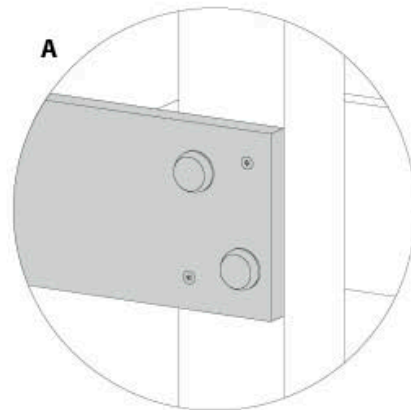
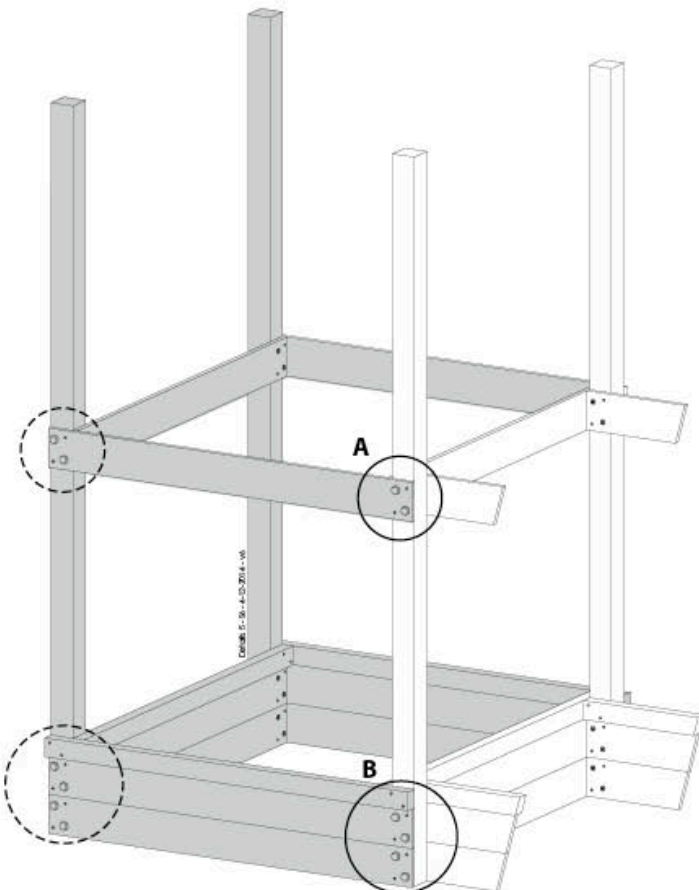
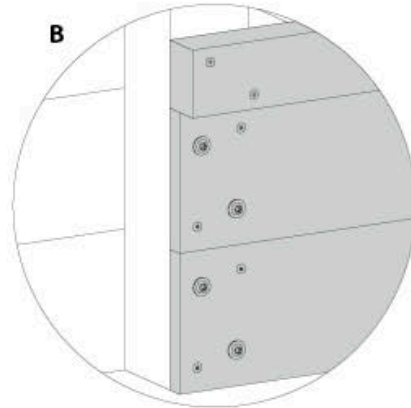
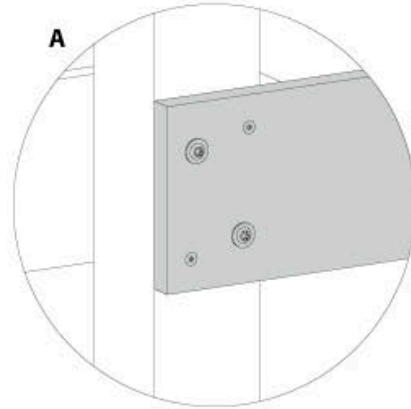
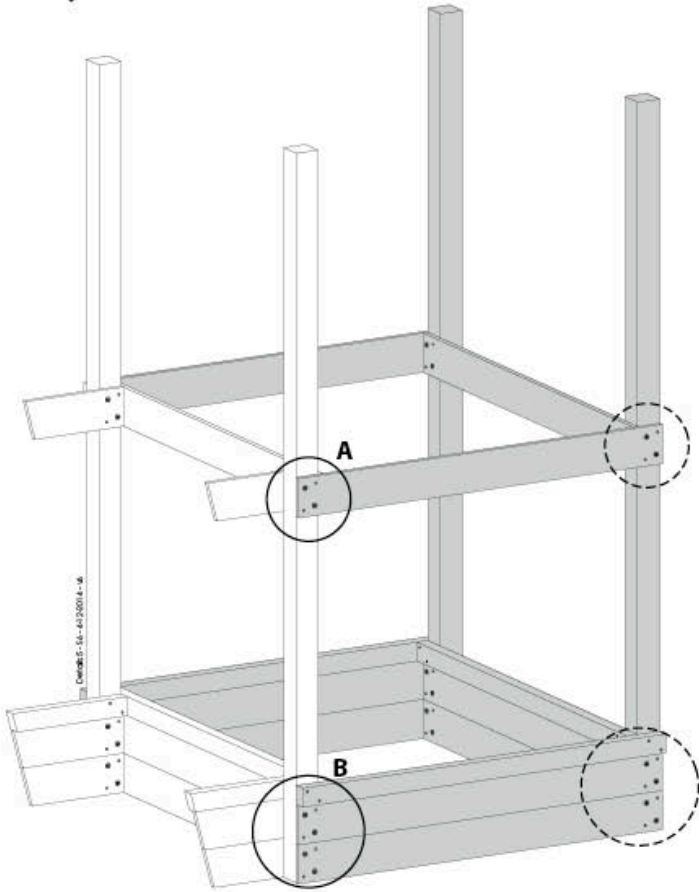
5.4d



5.5a

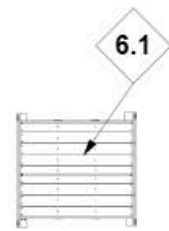


5.5b

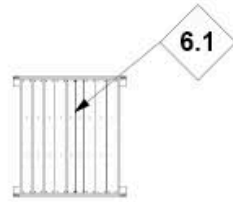


6

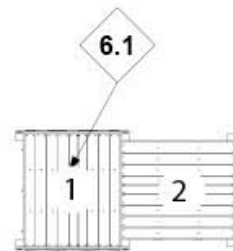
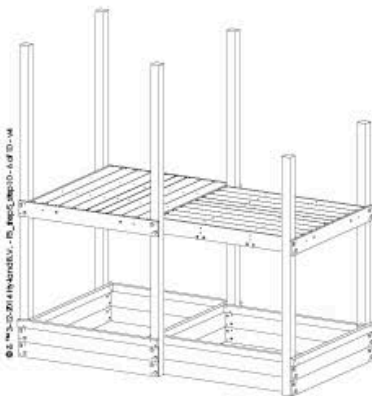
1



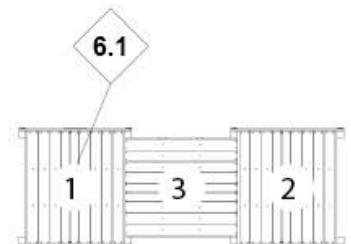
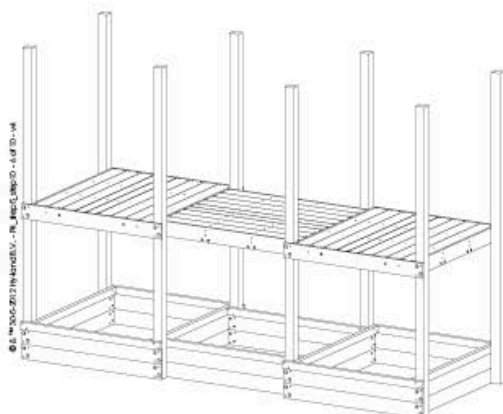
2



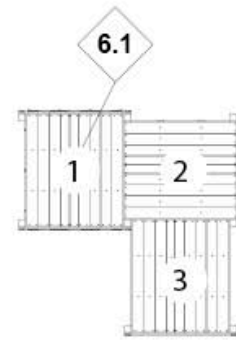
3



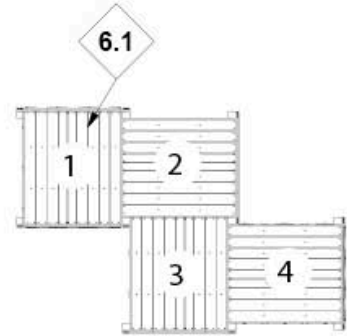
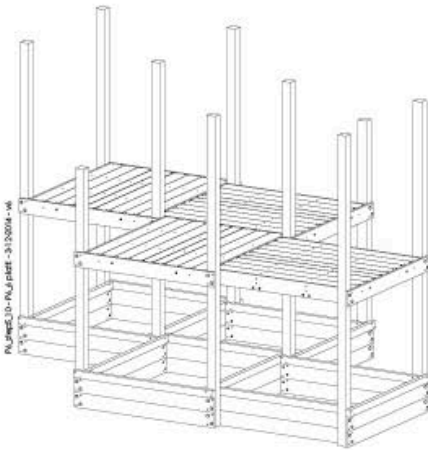
4



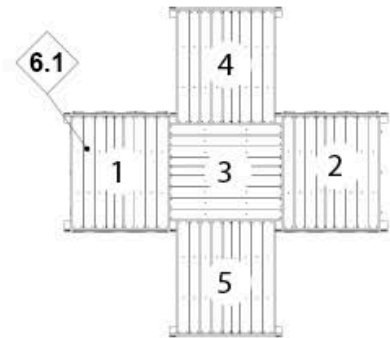
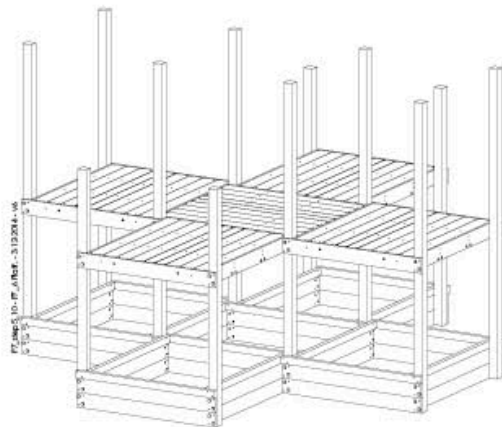
5



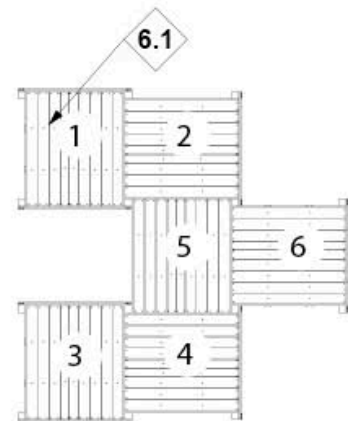
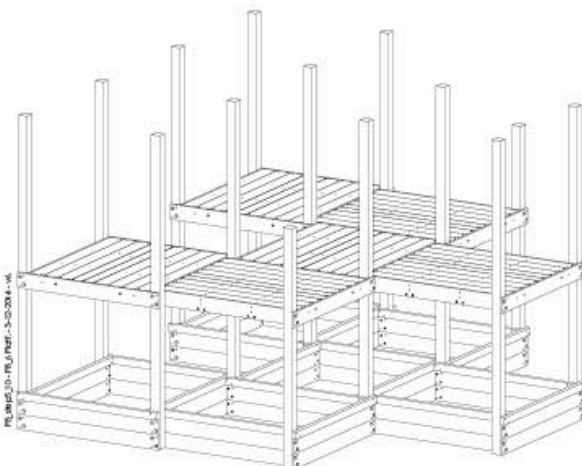
6



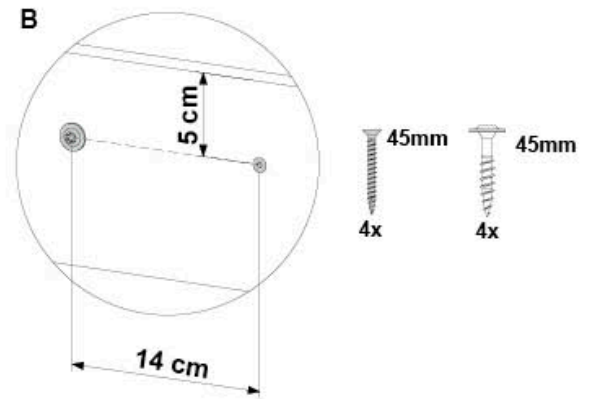
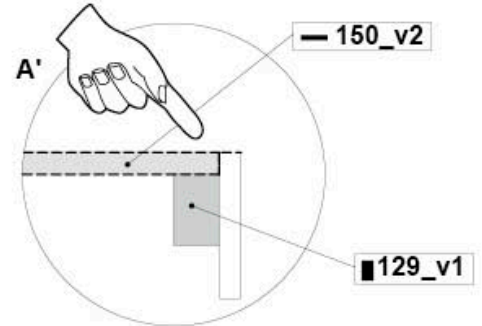
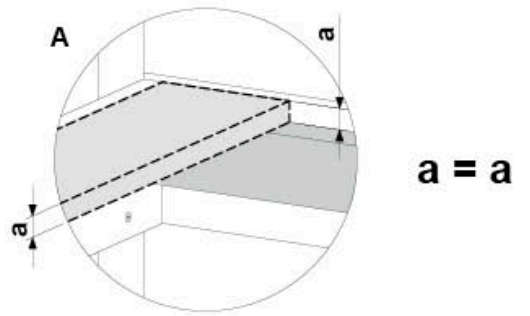
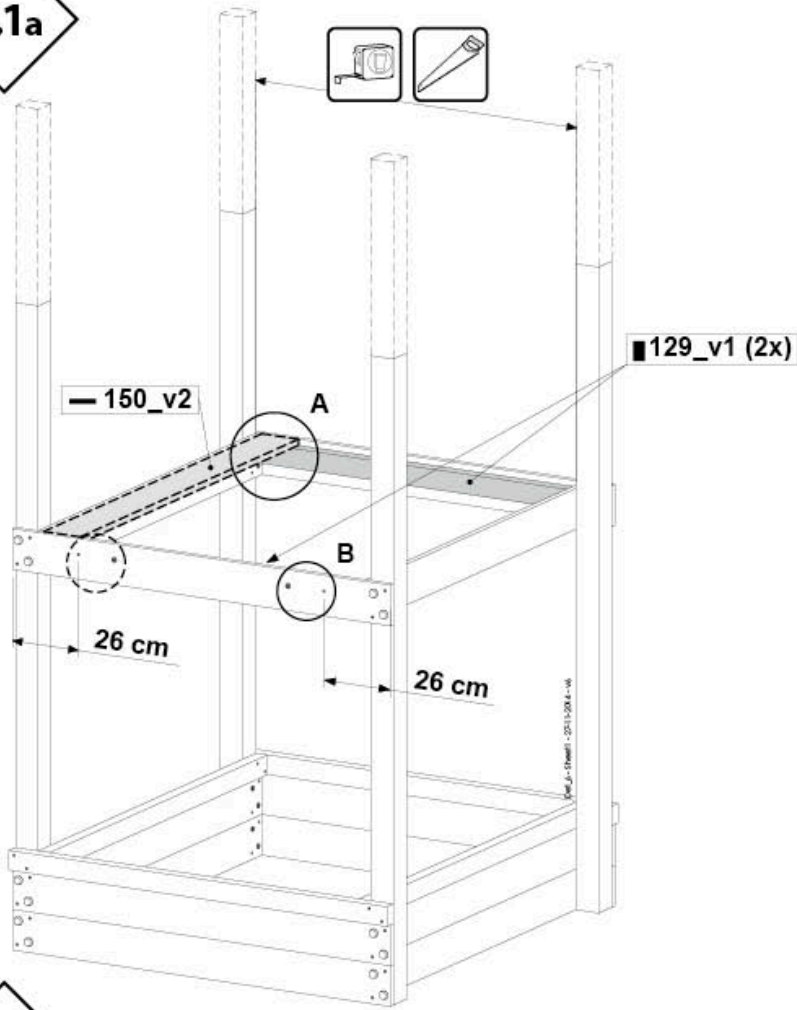
7



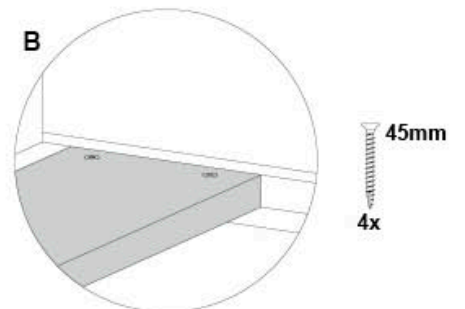
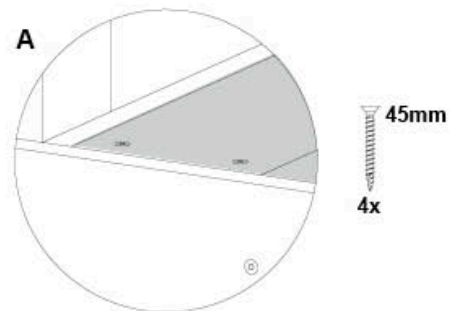
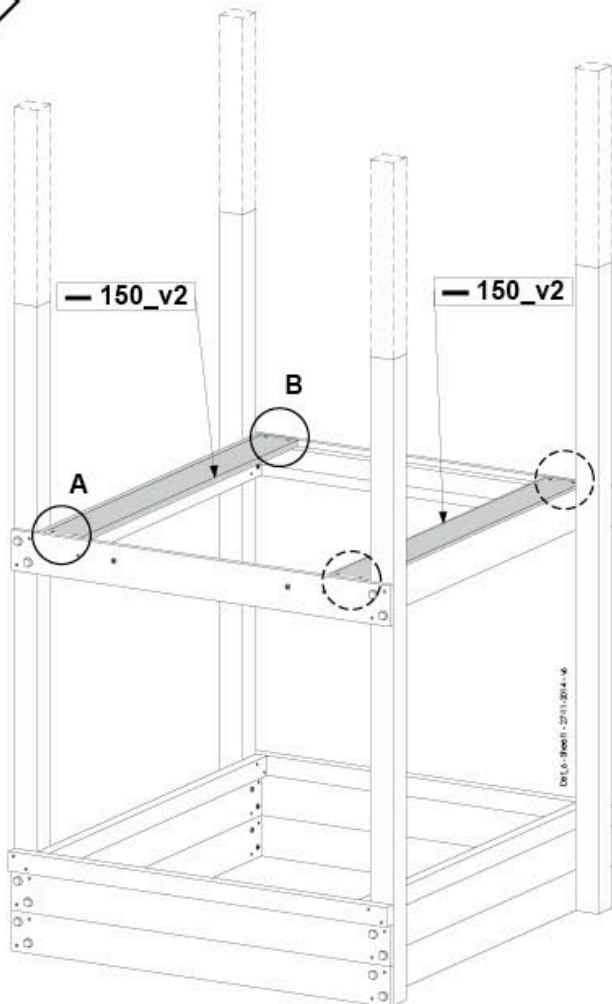
8



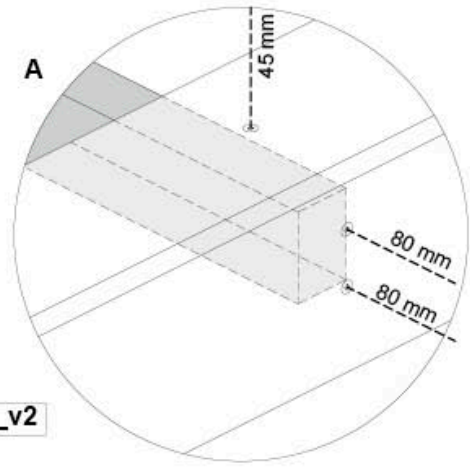
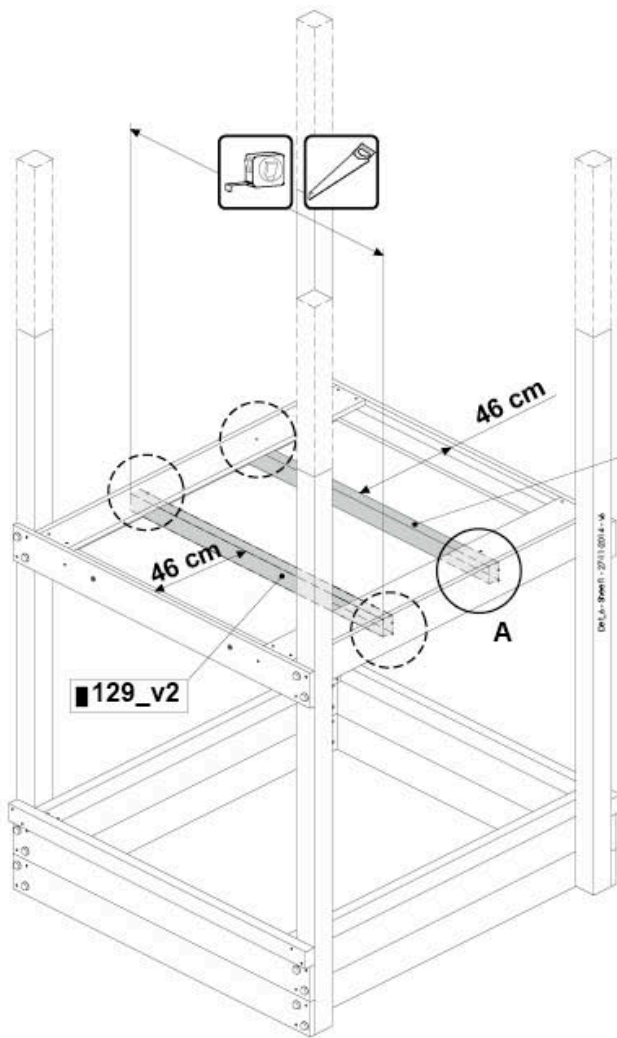
6.1a



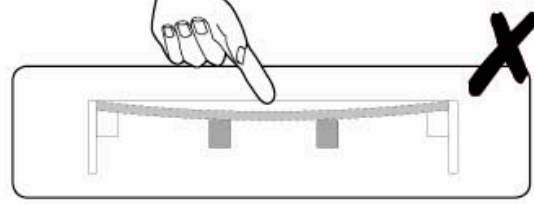
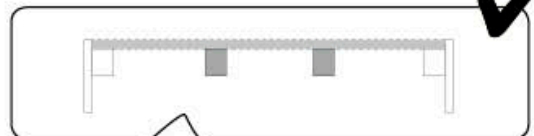
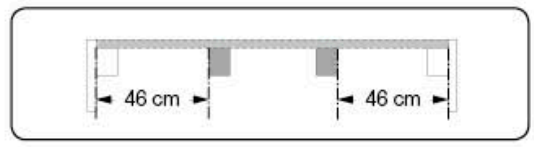
6.1b



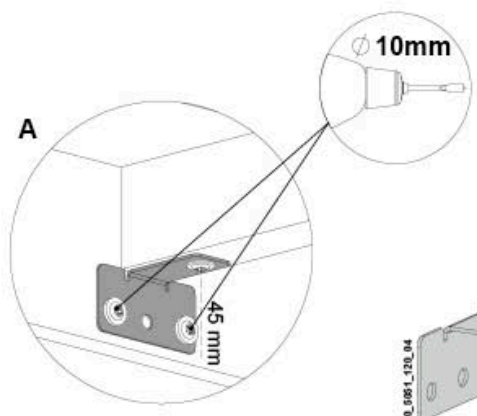
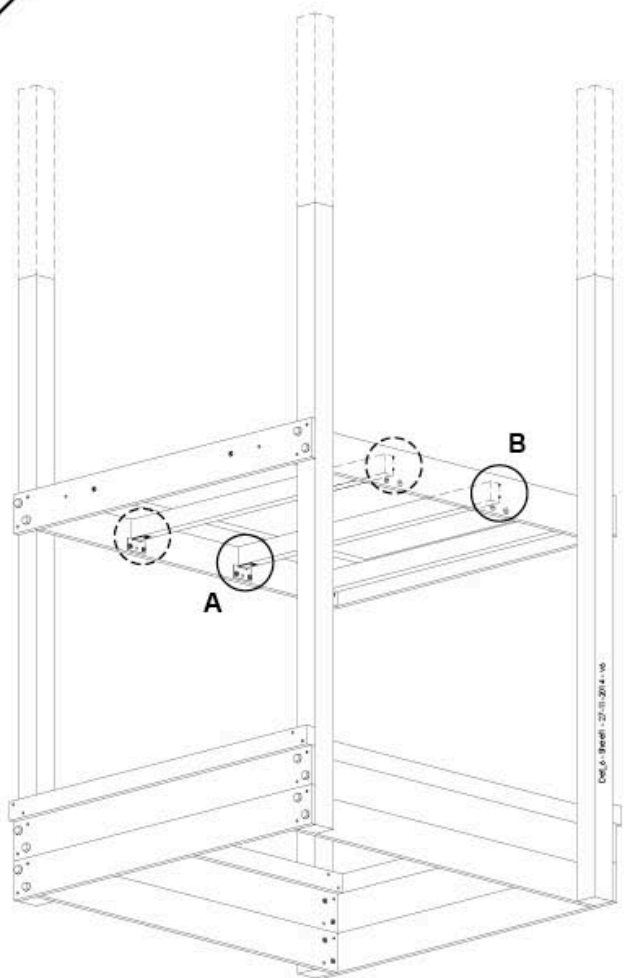
6.1c



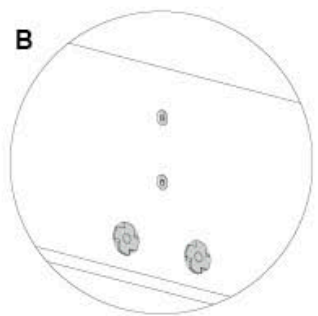
- 45mm
- 4x
- 80mm
- 8x



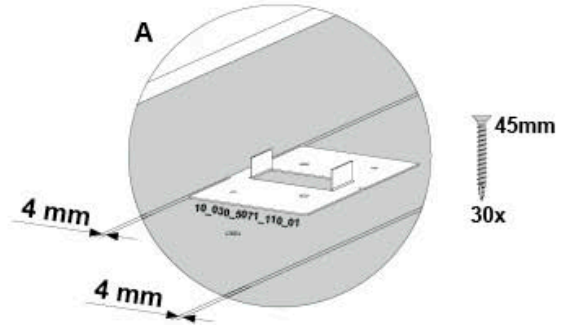
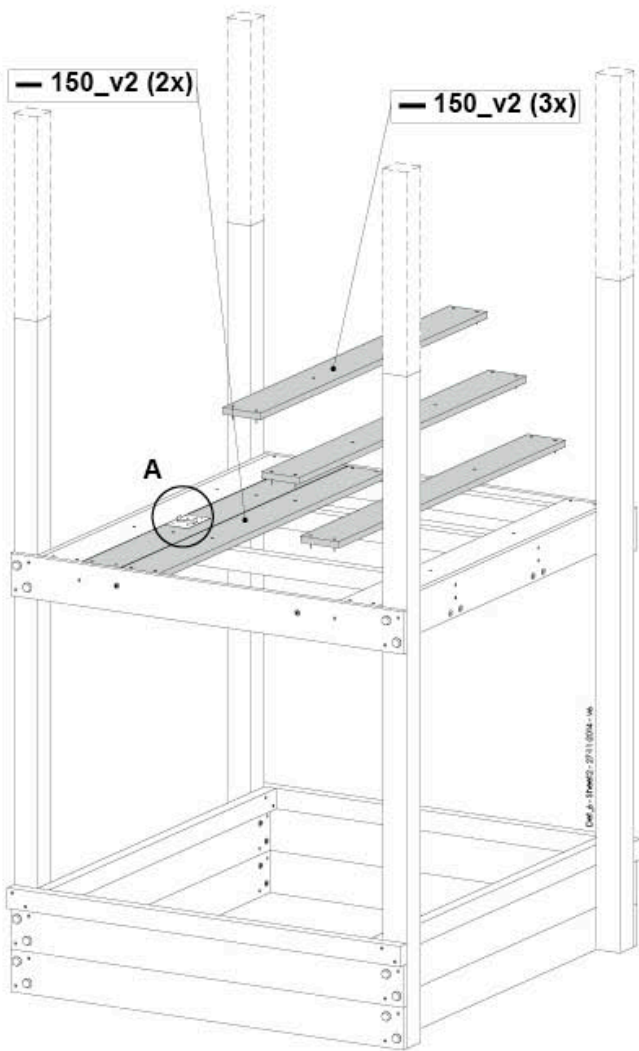
6.1d



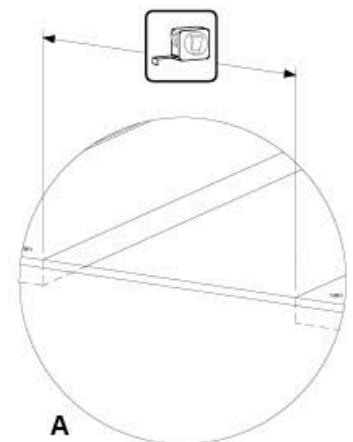
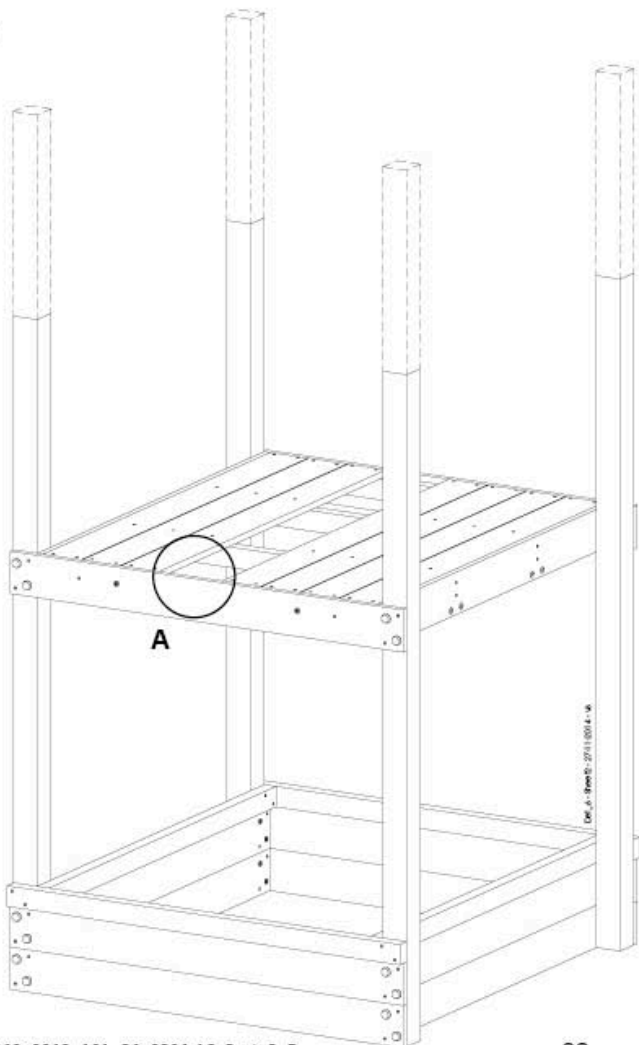
- 45mm
- 4x
- 18mm
- ø15
- 16mm
- 8x



6.1e

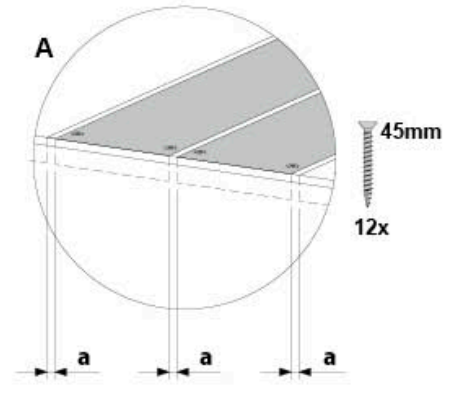
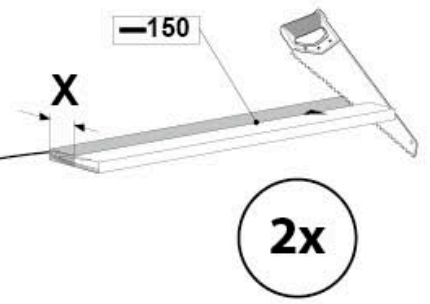
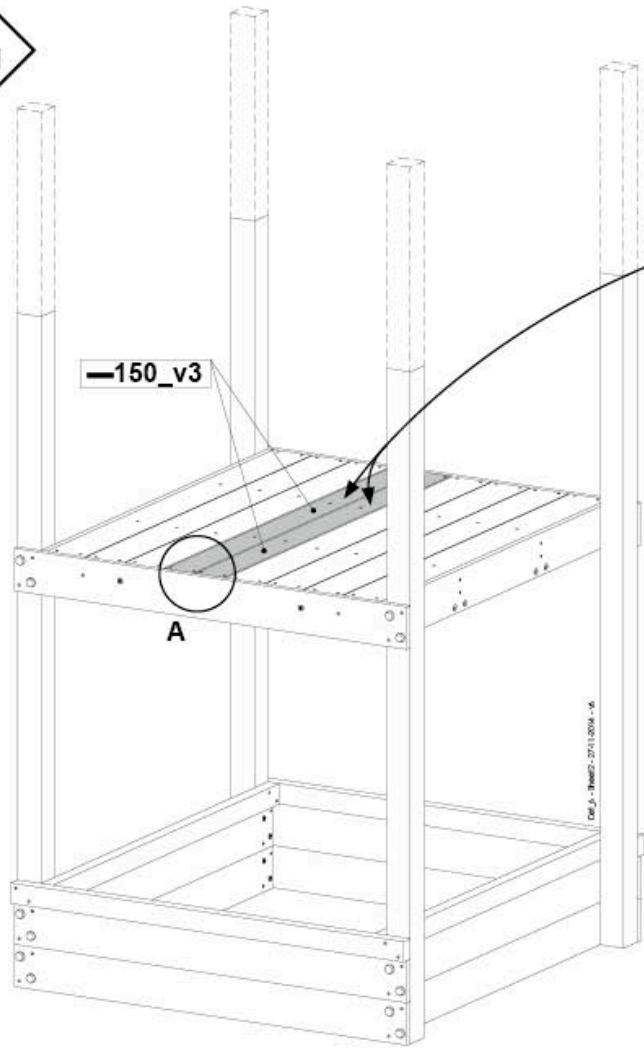


6.1f

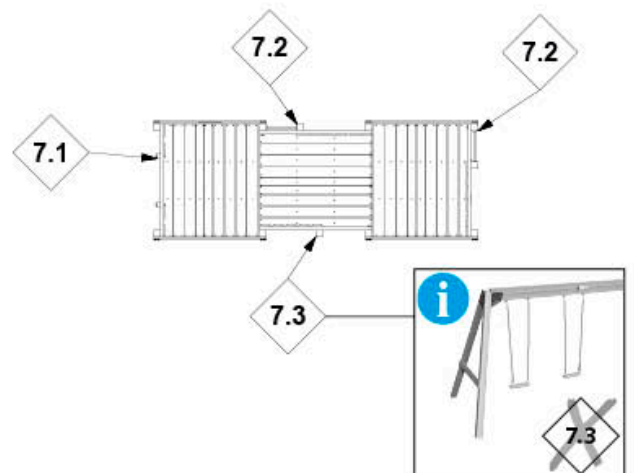
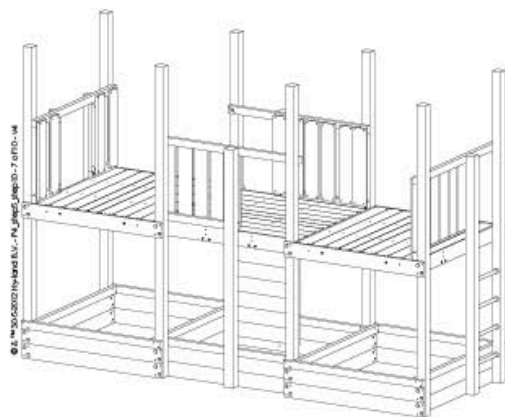
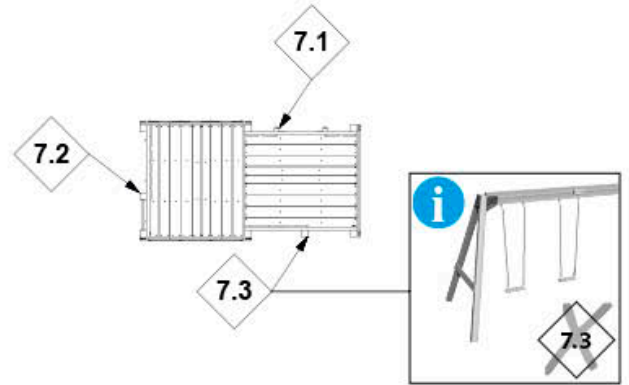
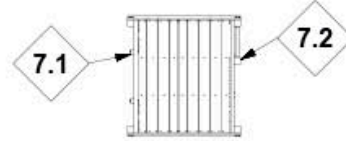
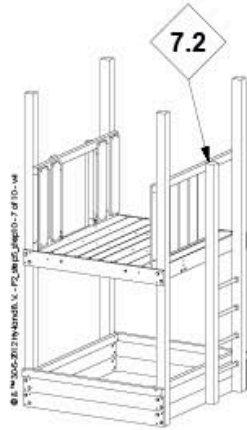
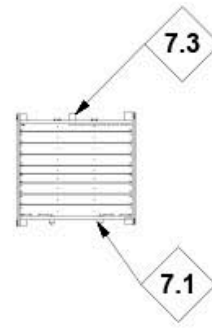
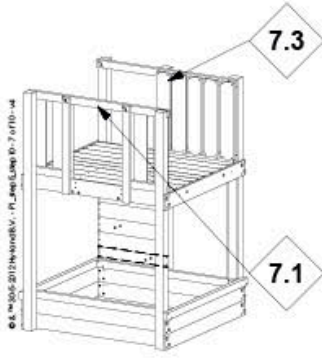


$$\frac{\text{Icon} - 1,2 \text{ cm}}{2} = X$$

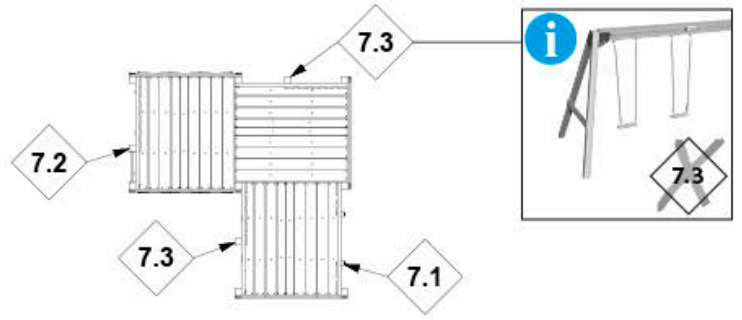
6.1g



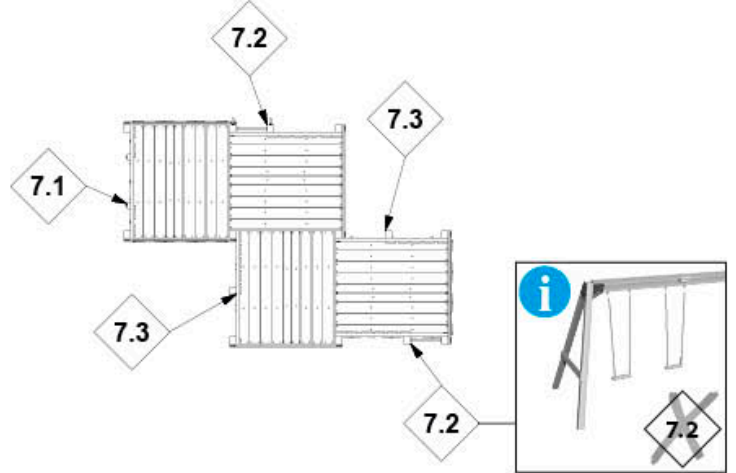
7



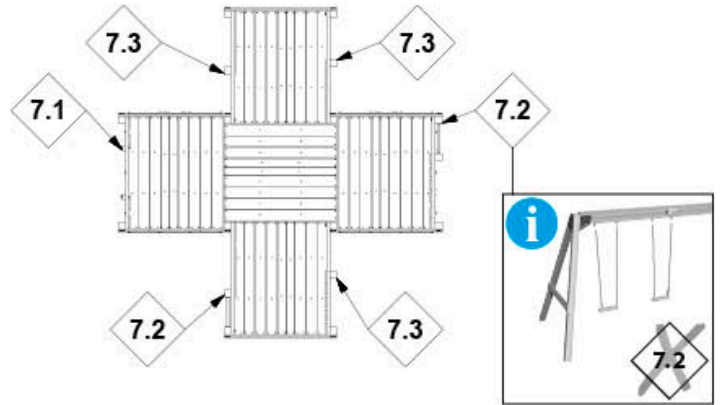
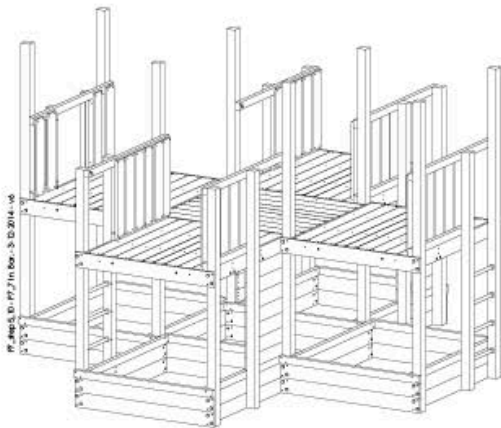
5



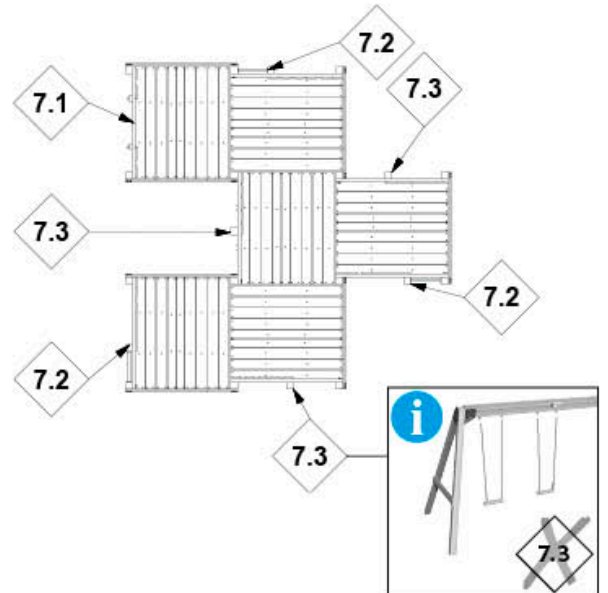
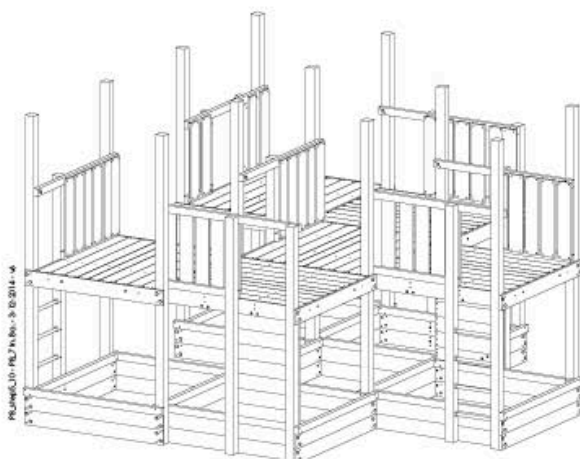
6



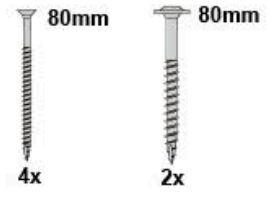
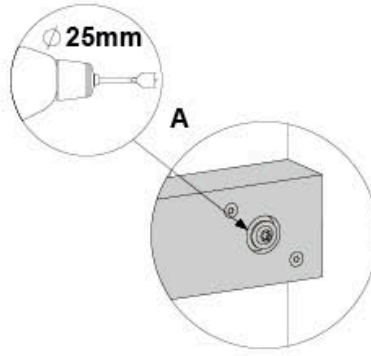
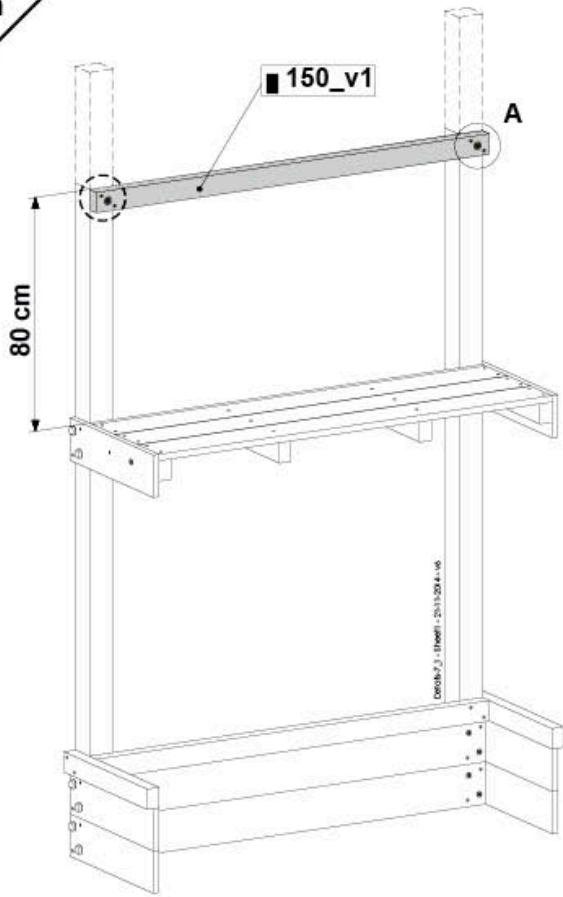
7



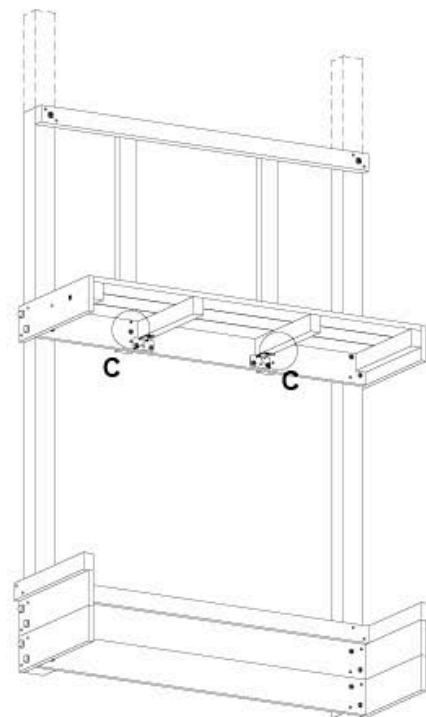
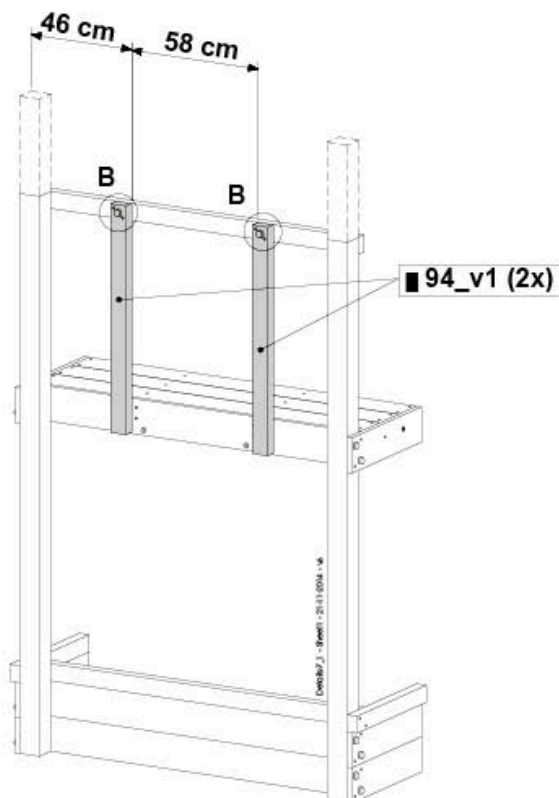
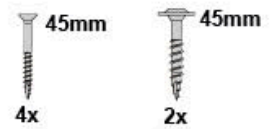
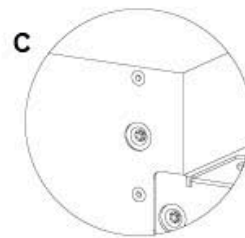
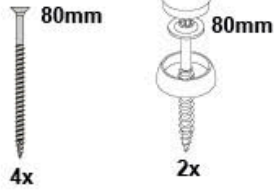
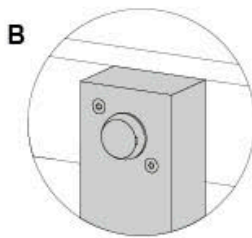
8



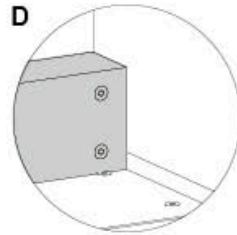
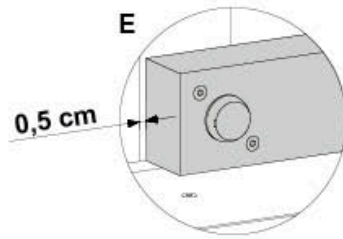
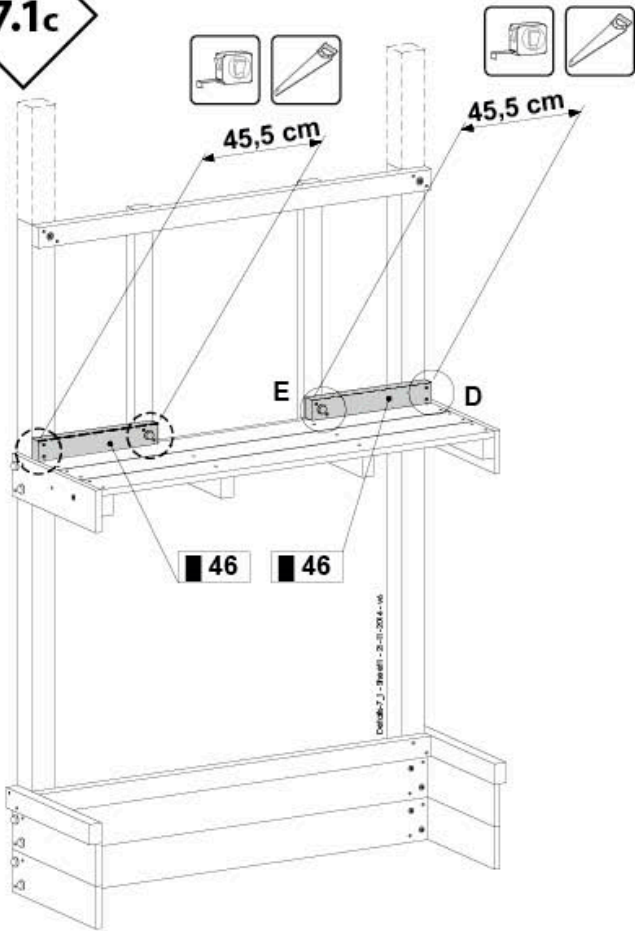
7.1a



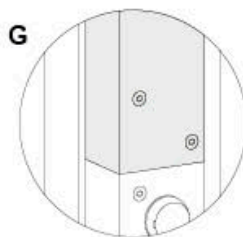
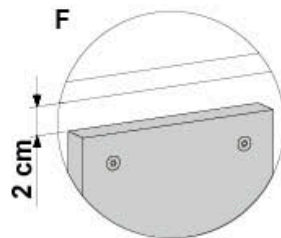
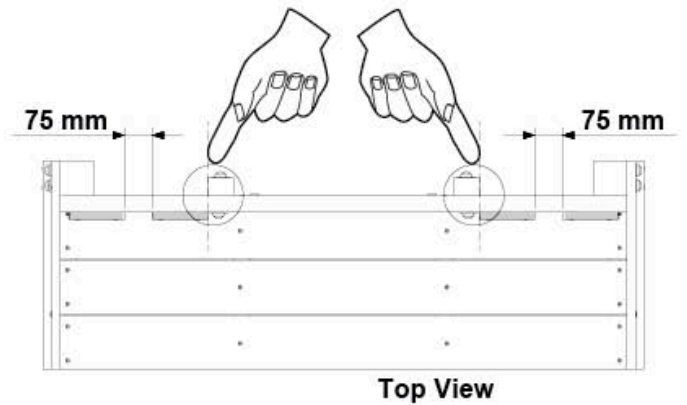
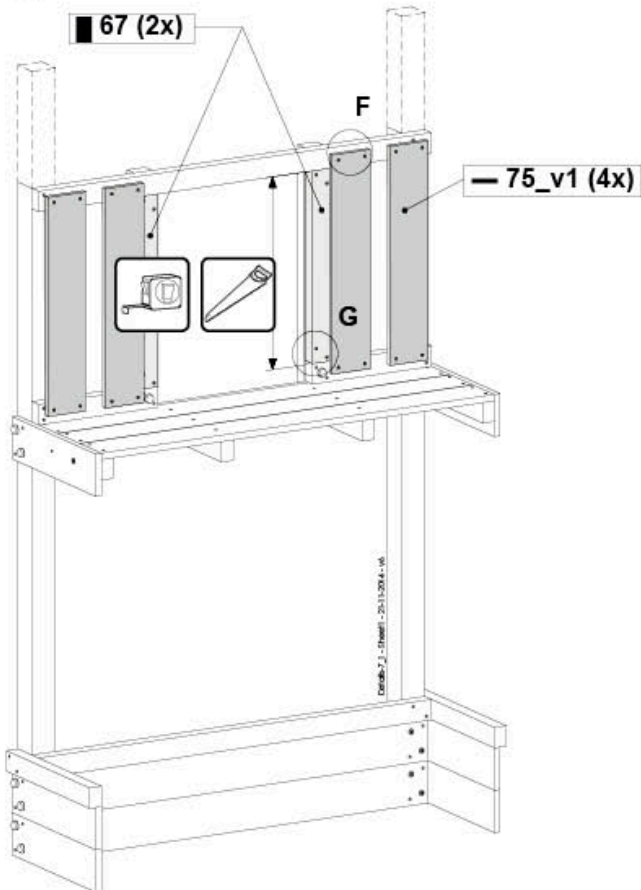
7.1b



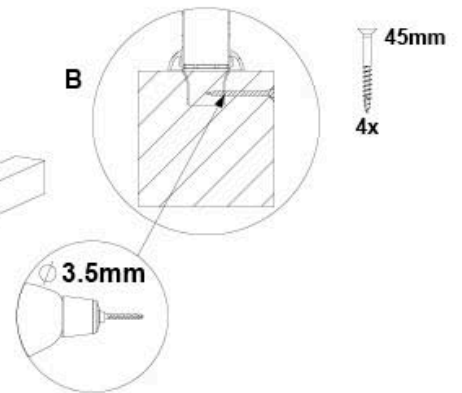
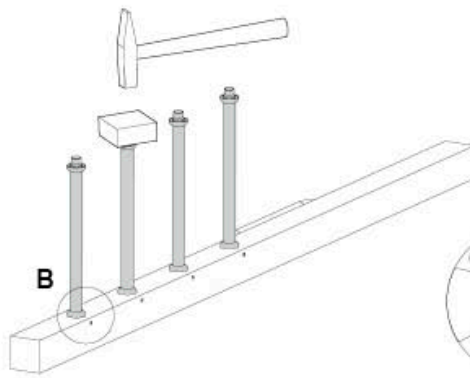
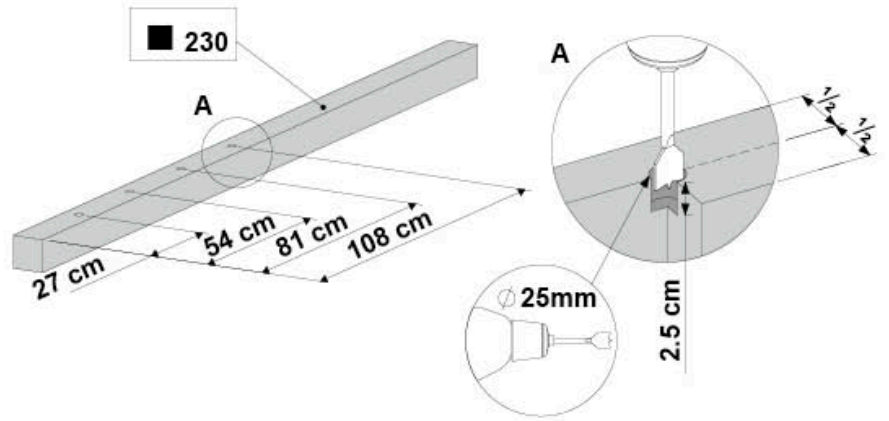
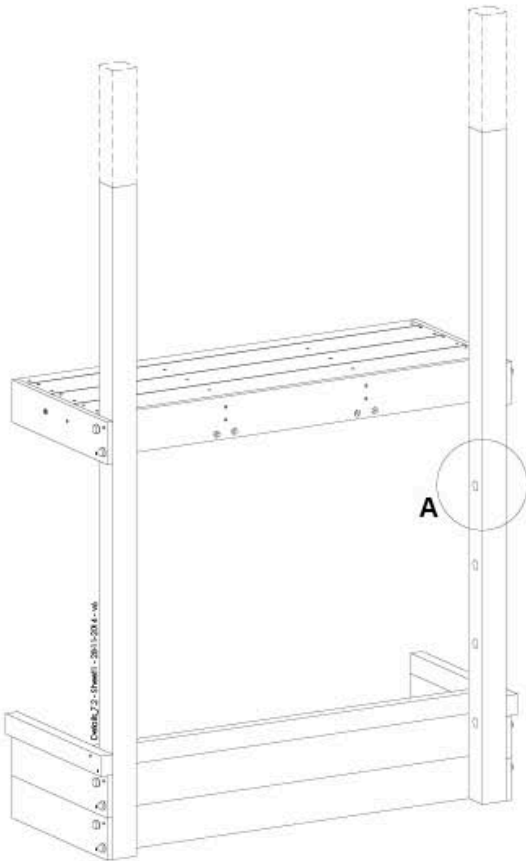
7.1c



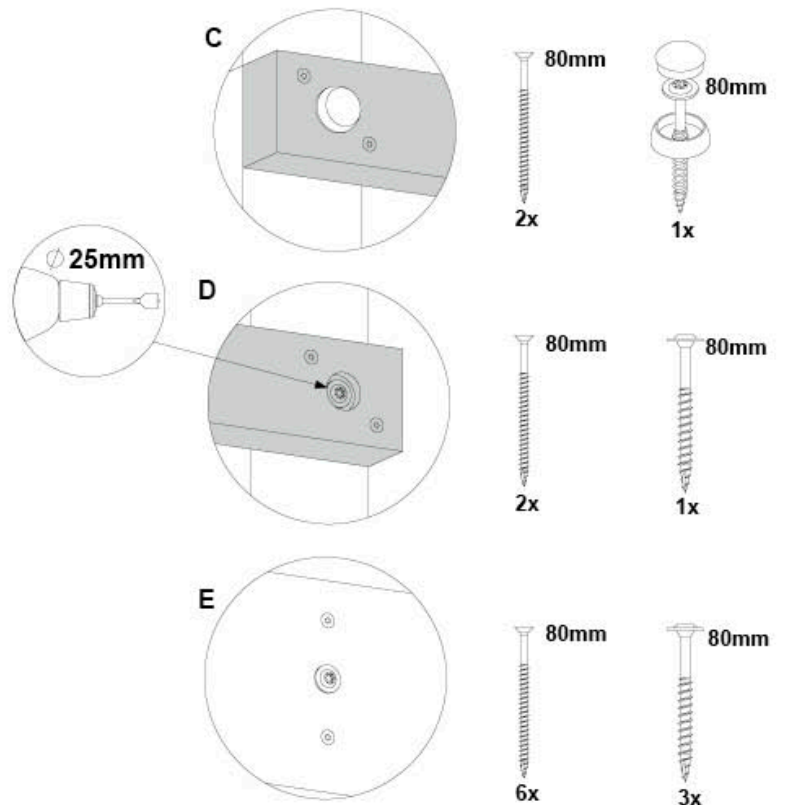
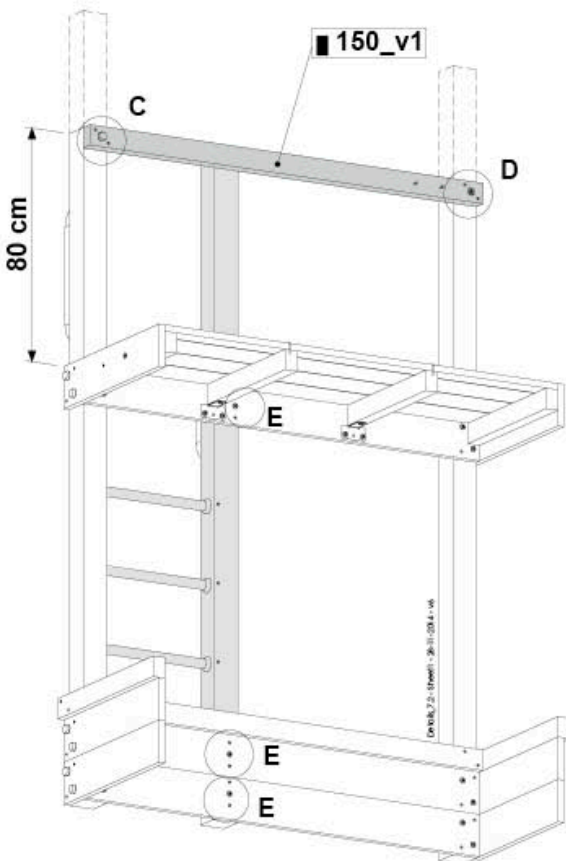
7.1d



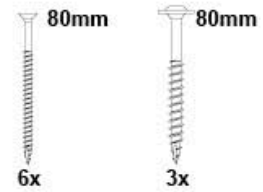
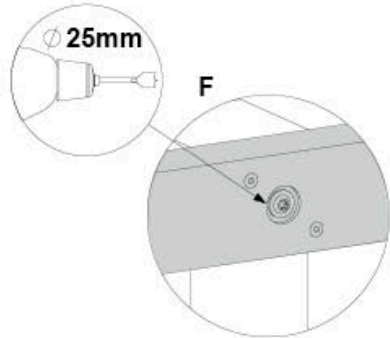
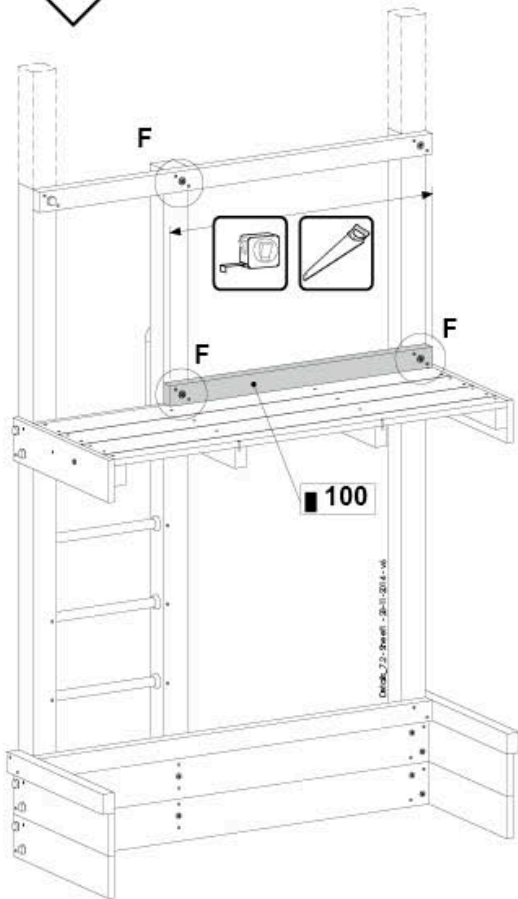
7.2a



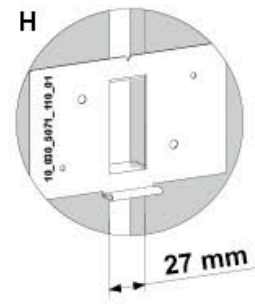
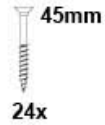
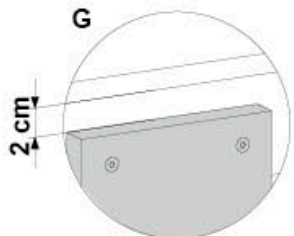
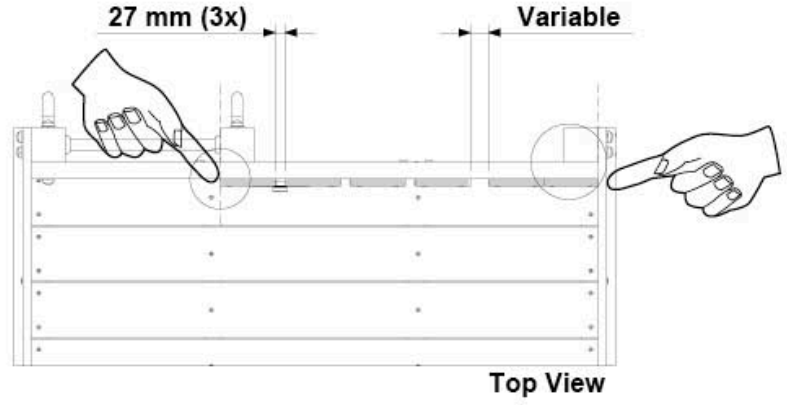
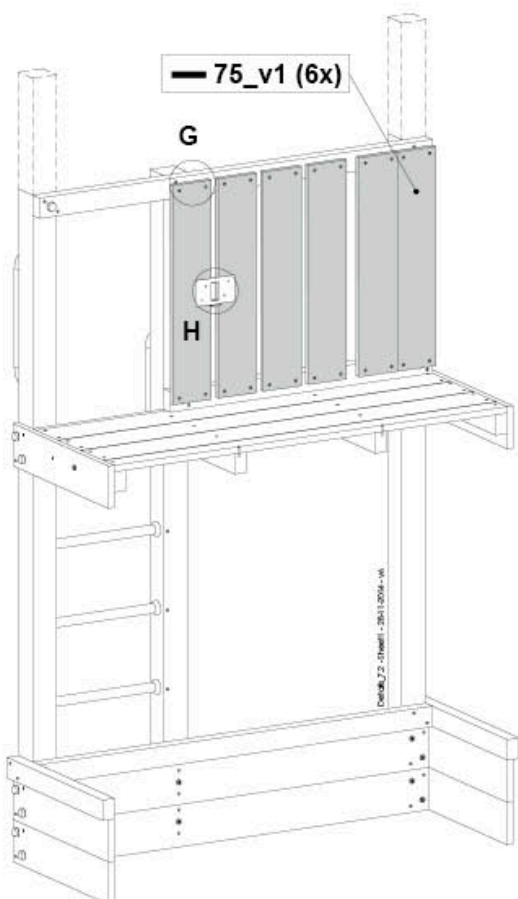
7.2b



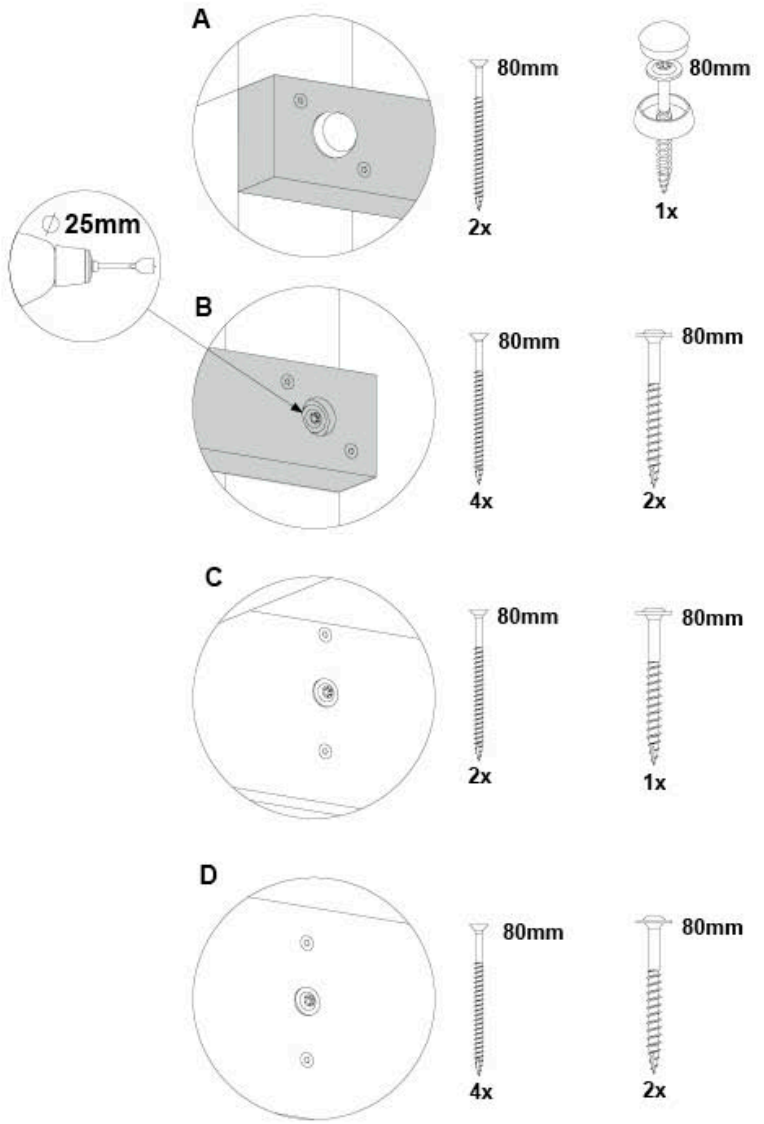
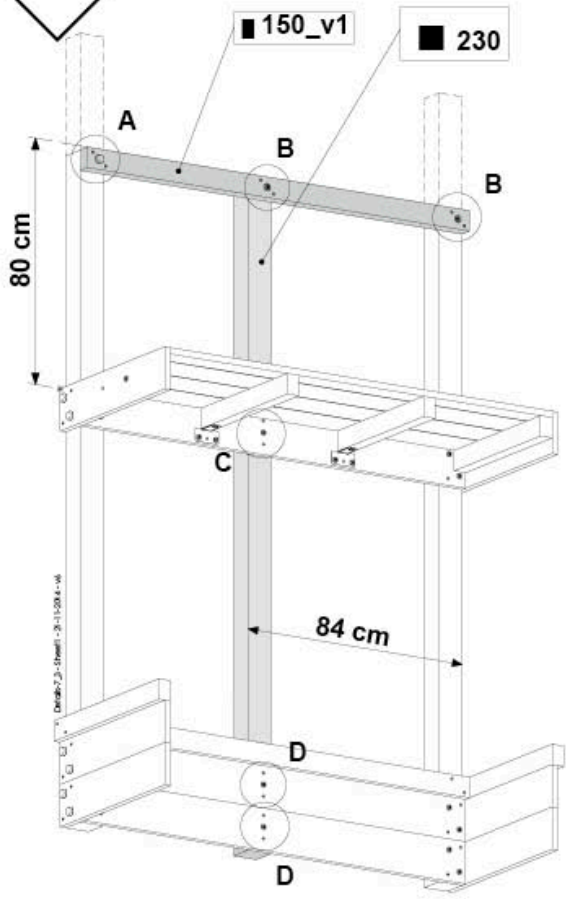
7.2c



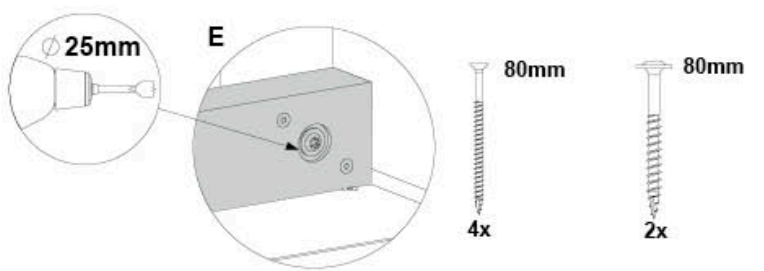
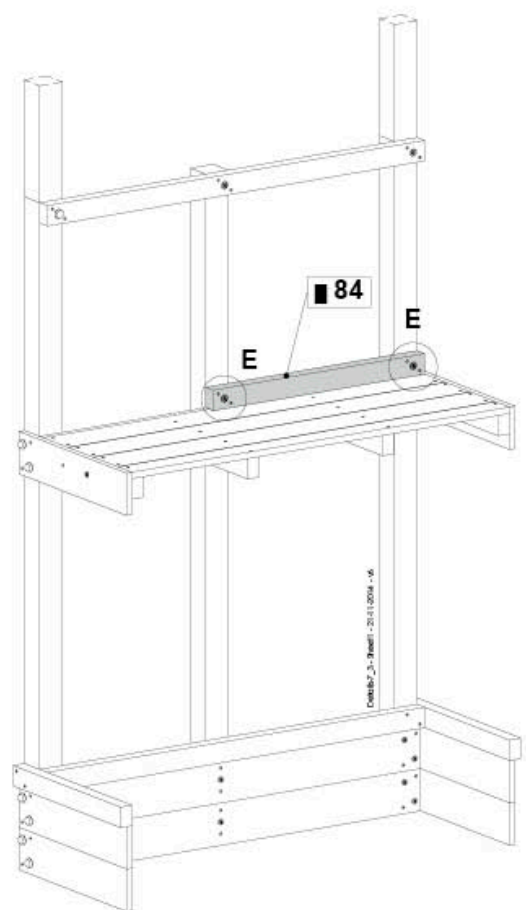
7.2d



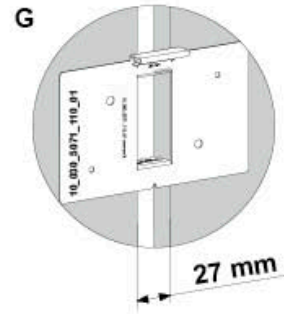
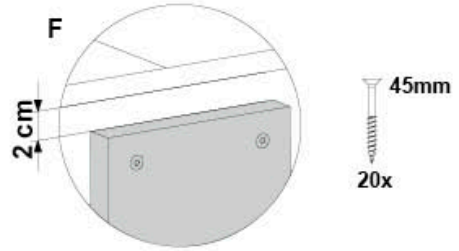
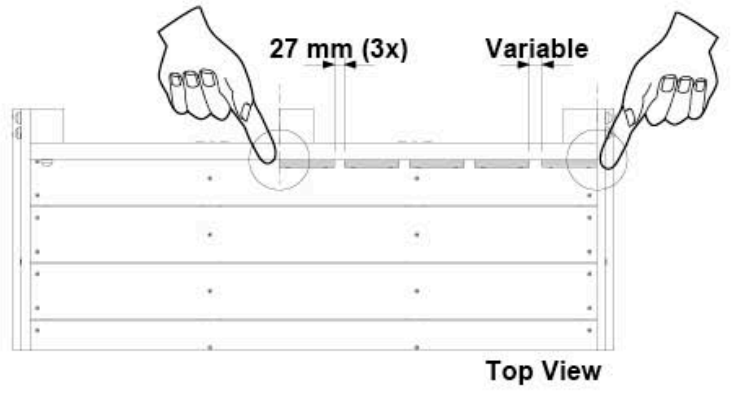
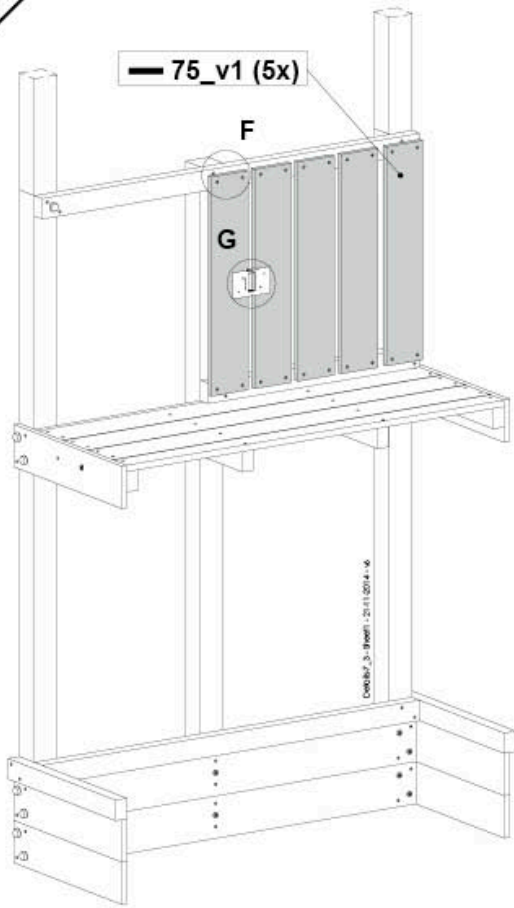
7.3a



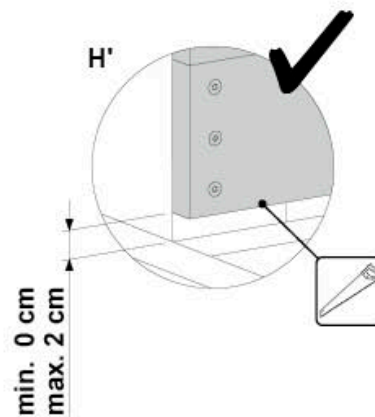
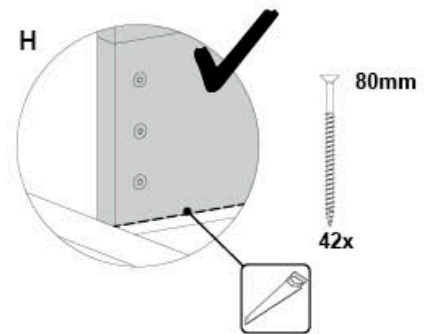
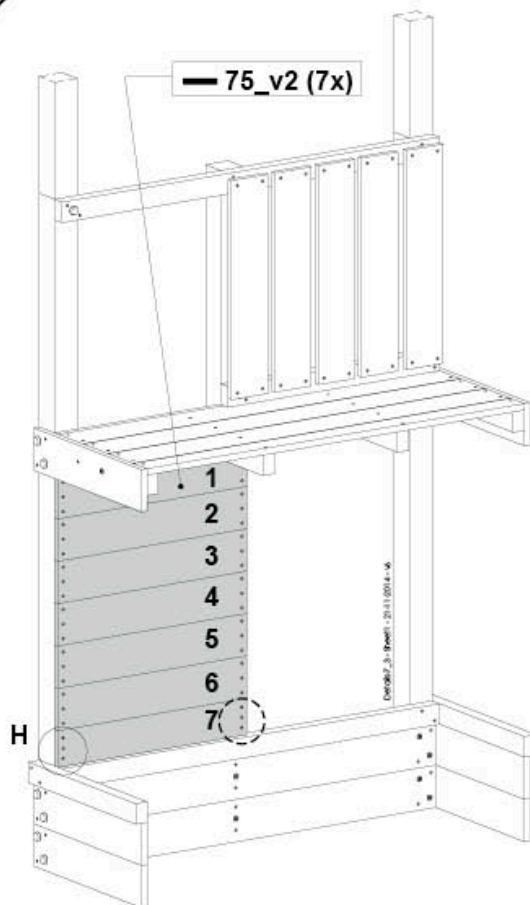
7.3b



7.3c



7.3d

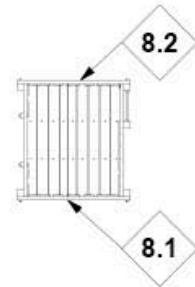


8

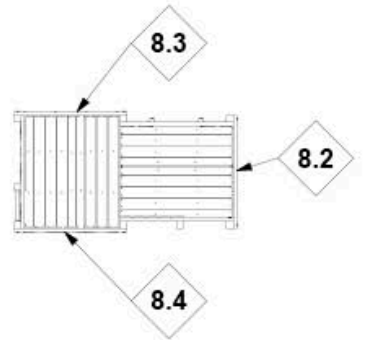
1



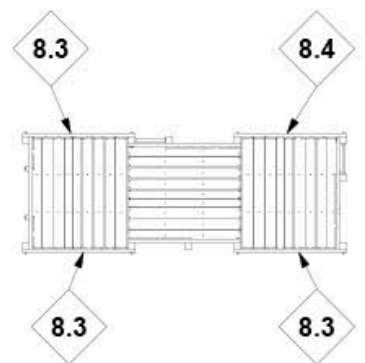
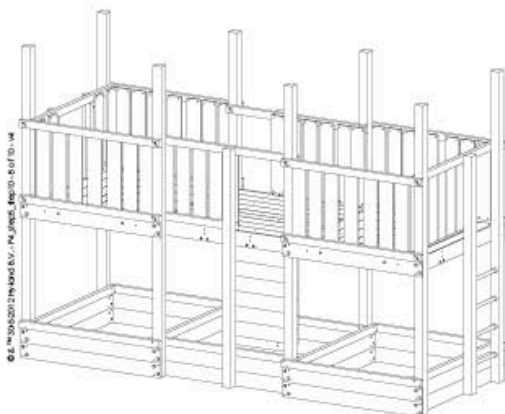
2



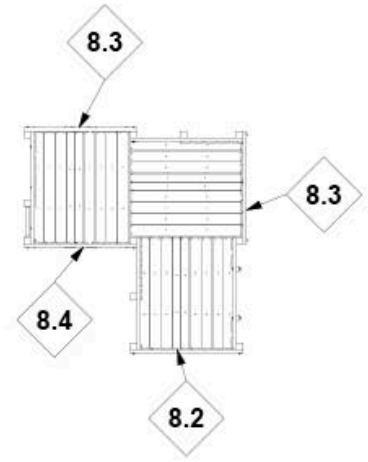
3



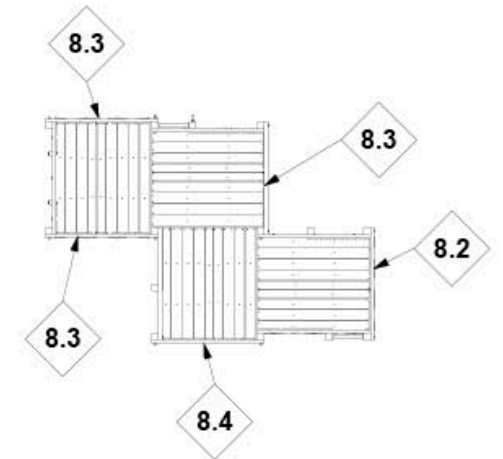
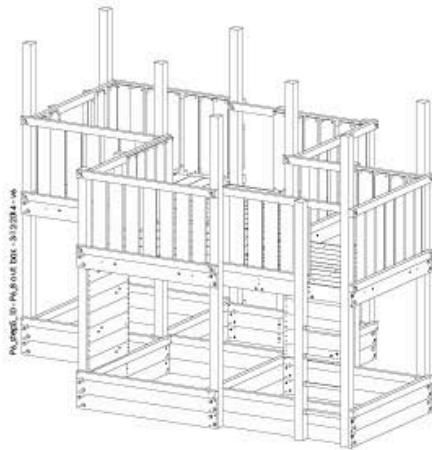
4



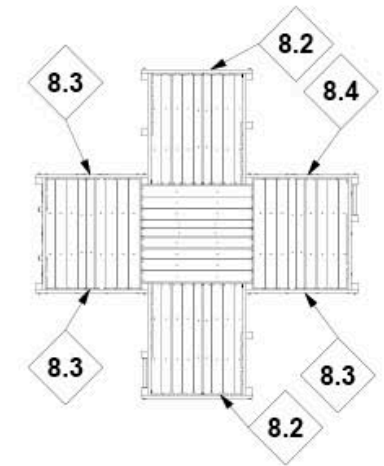
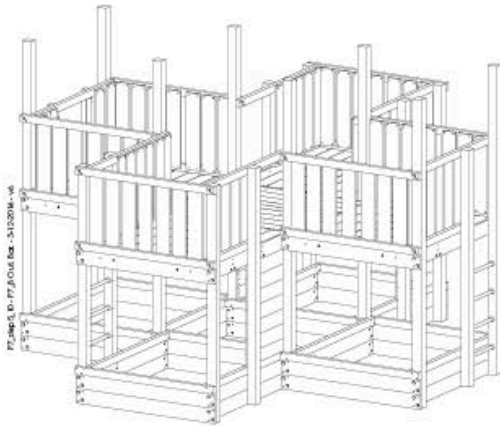
5



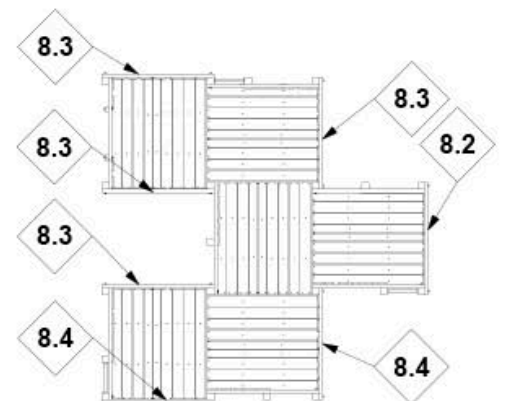
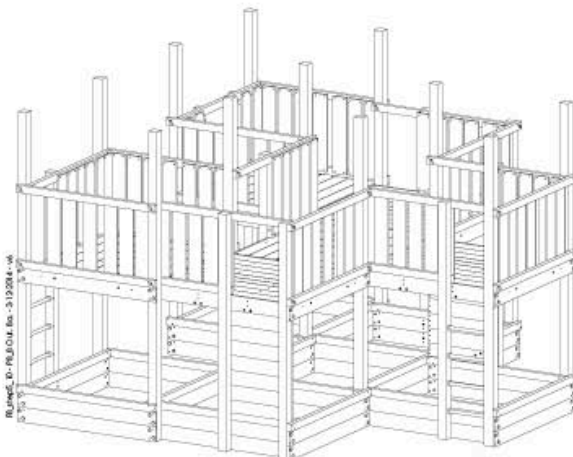
6



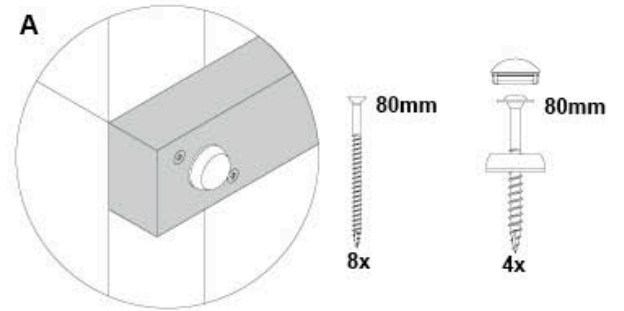
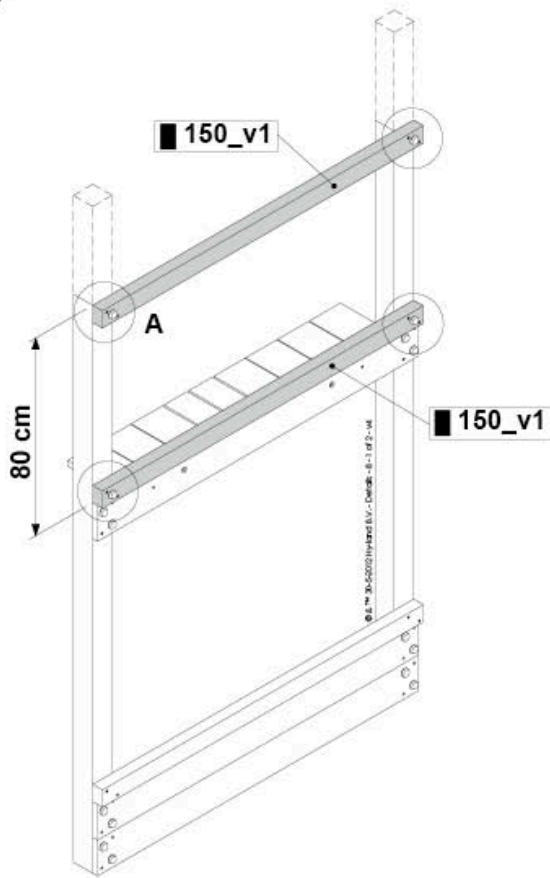
7



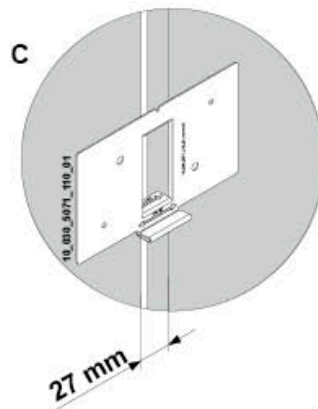
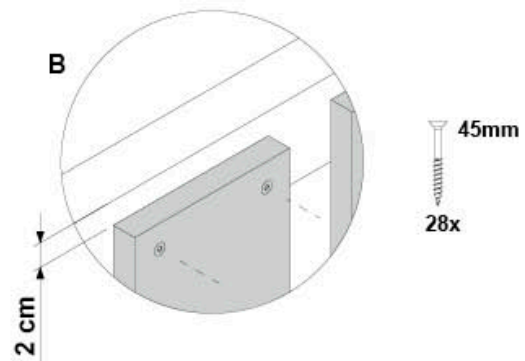
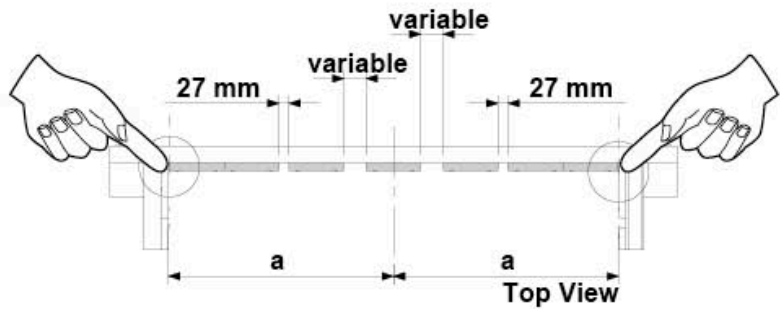
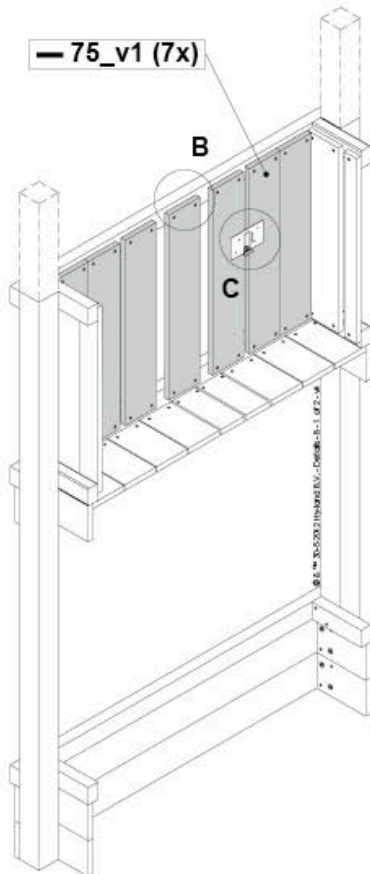
8



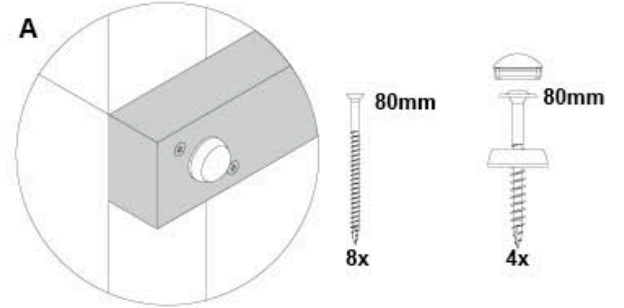
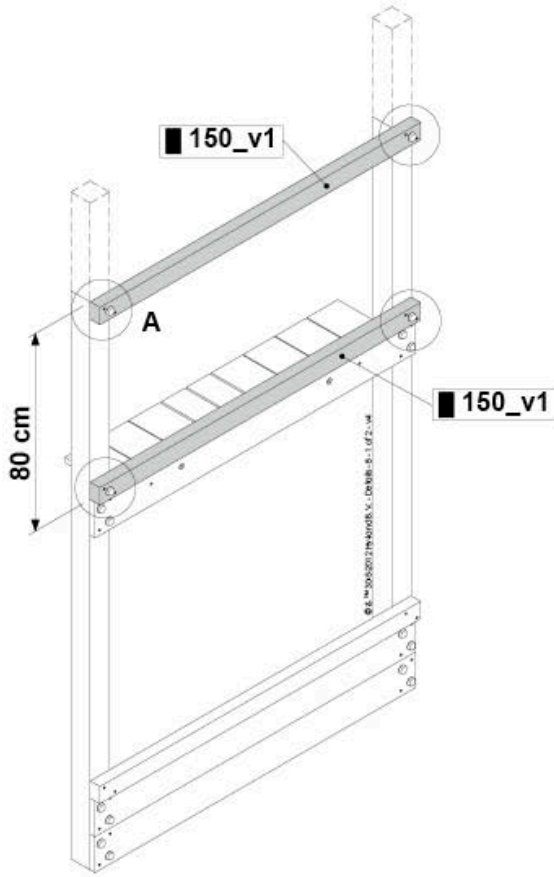
8.1a



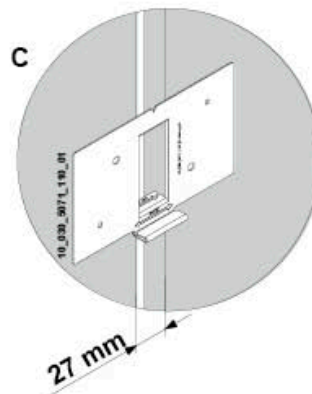
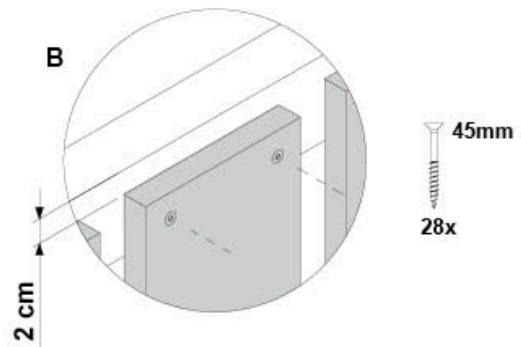
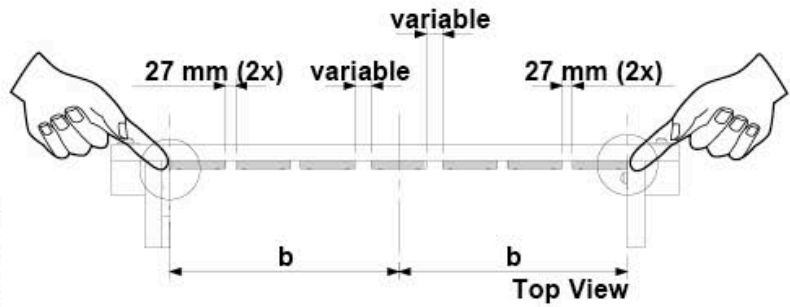
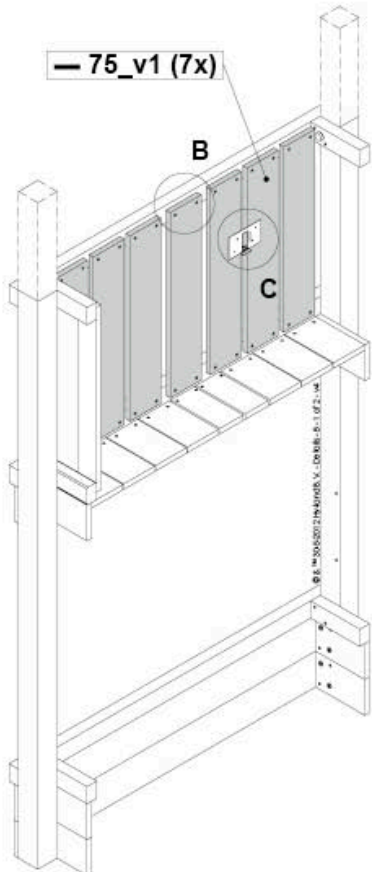
8.1b



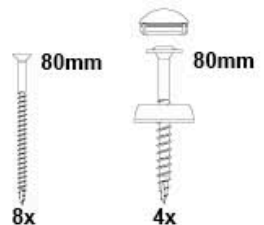
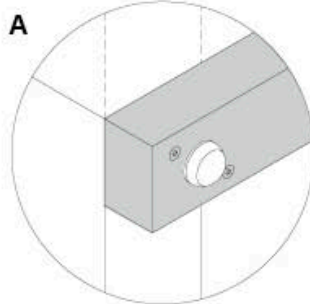
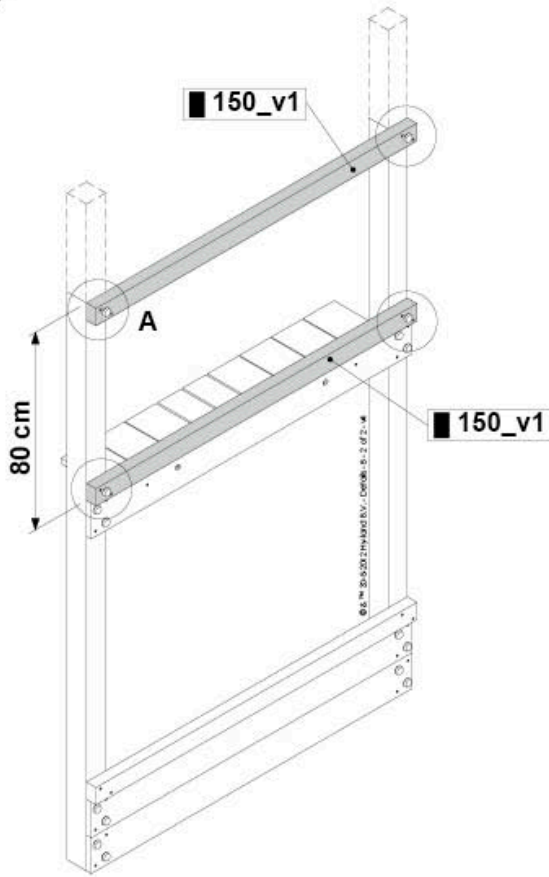
8.2a



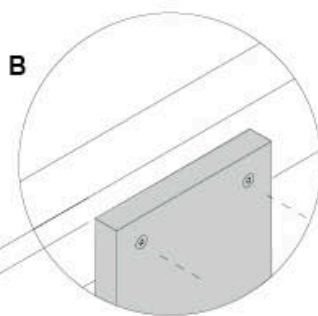
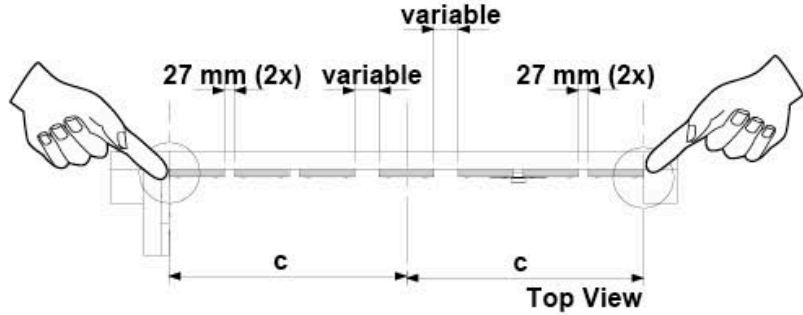
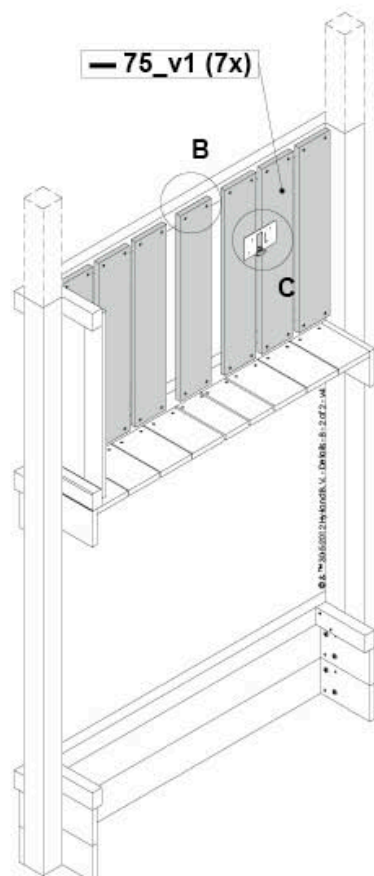
8.2b



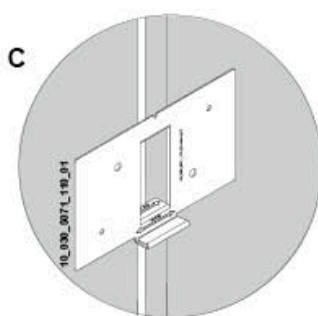
8.3a



8.3b

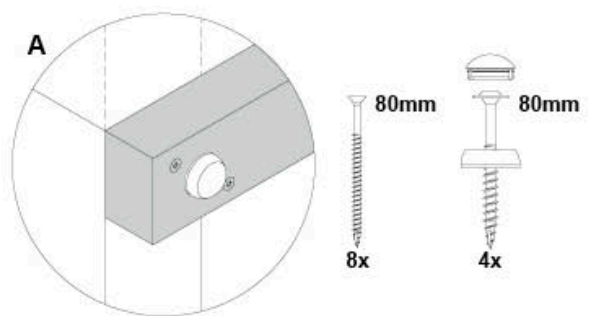
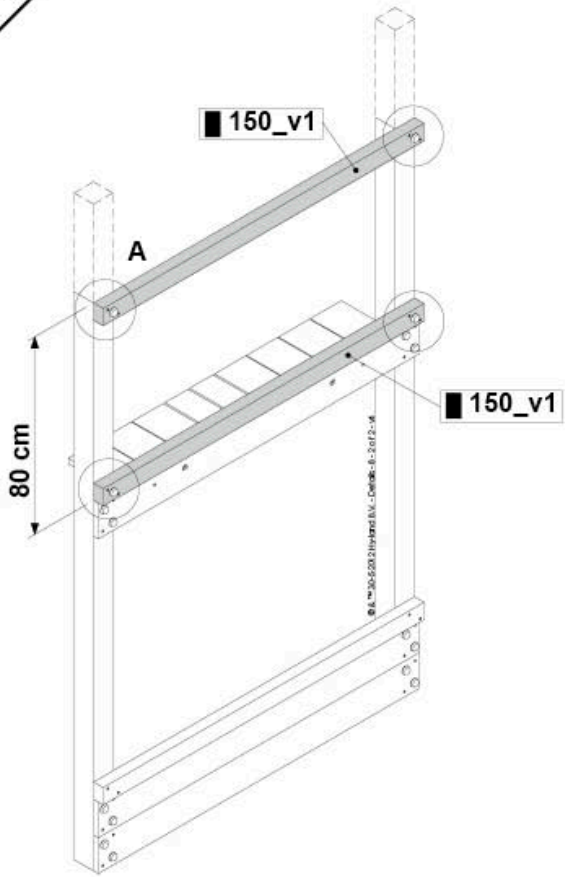


2 cm

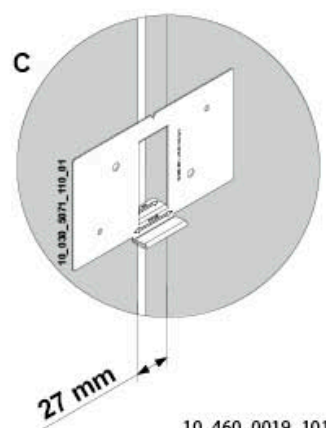
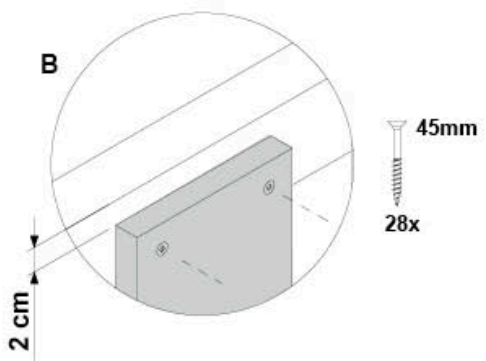
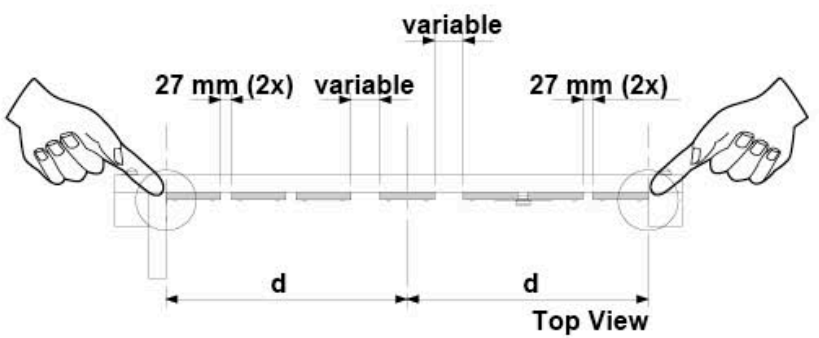
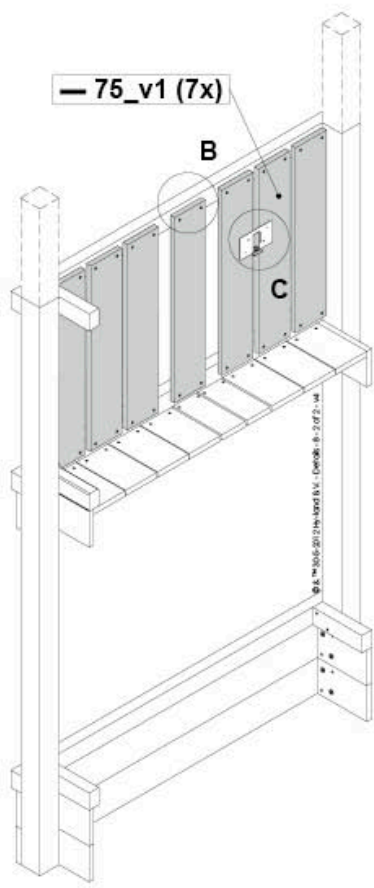


27 mm

8.4a

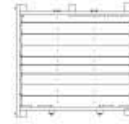


8.4b

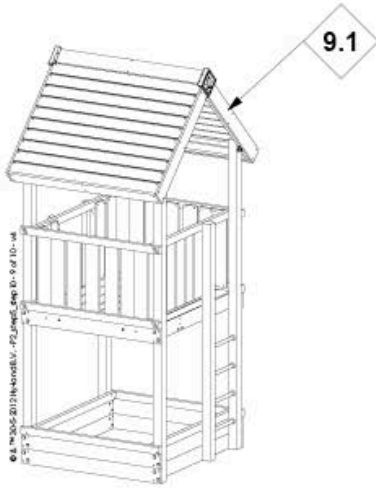


9

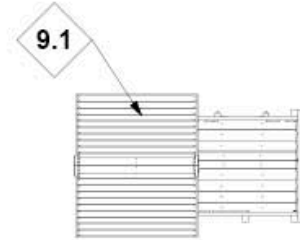
1



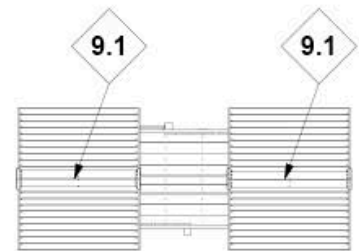
2



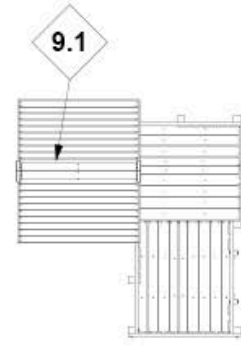
3



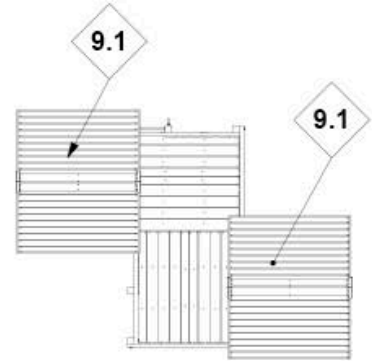
4



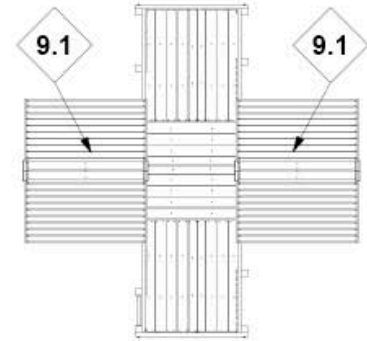
5



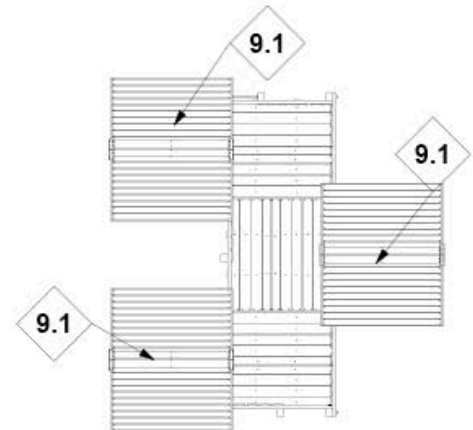
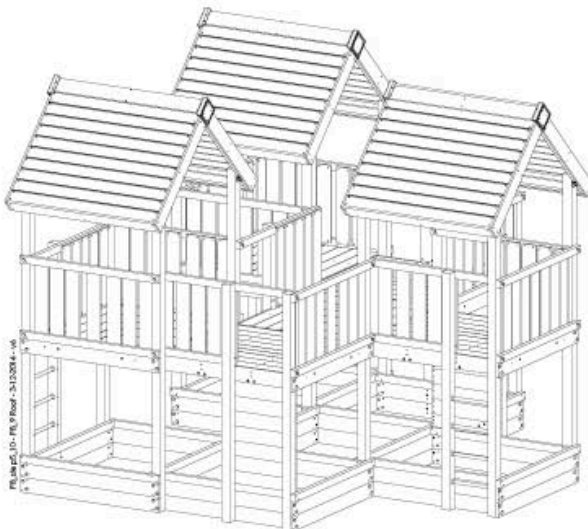
6



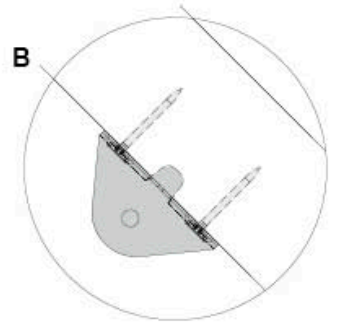
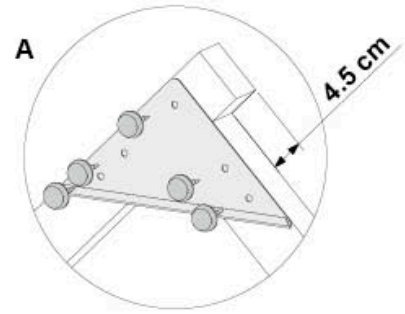
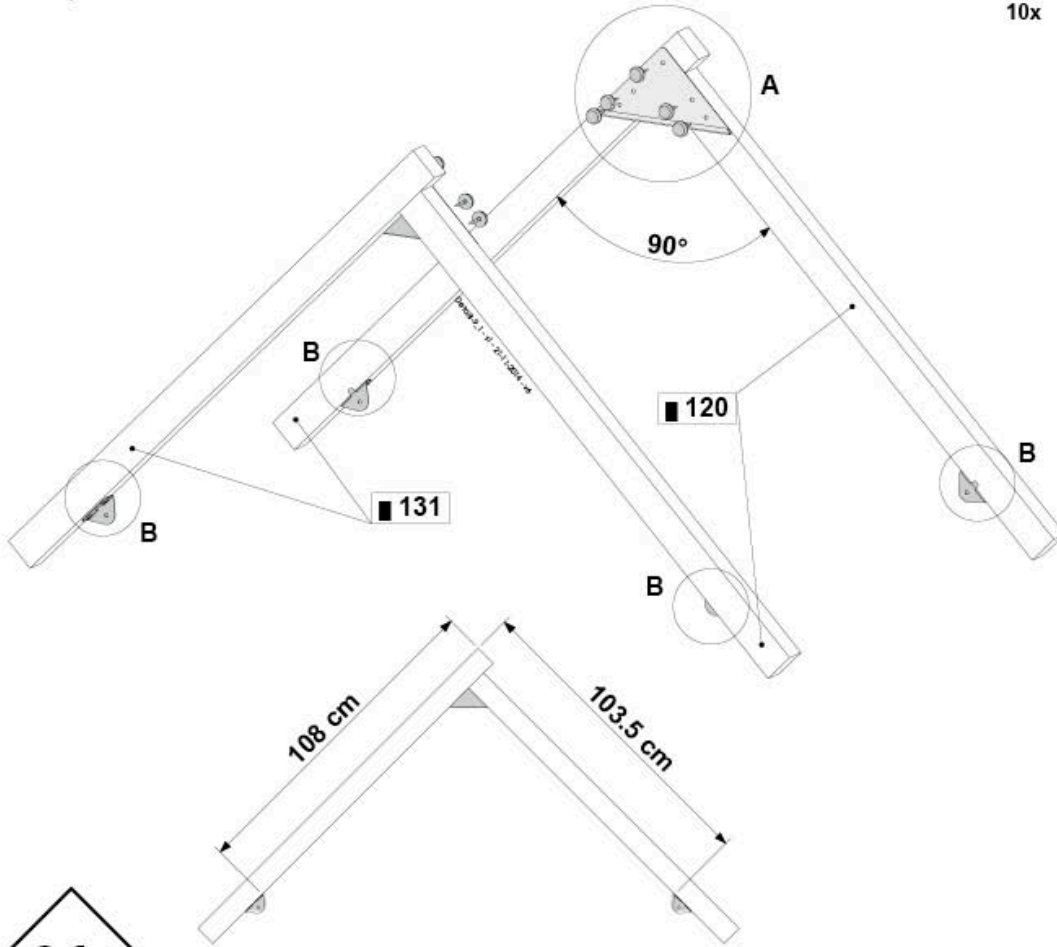
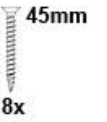
7



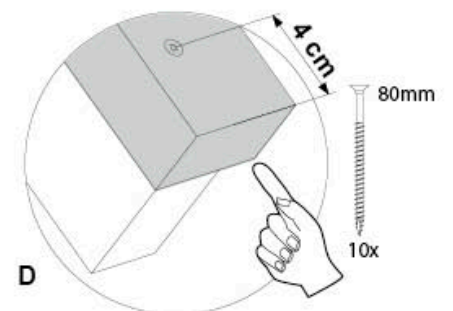
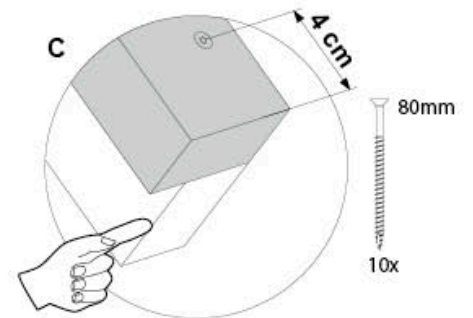
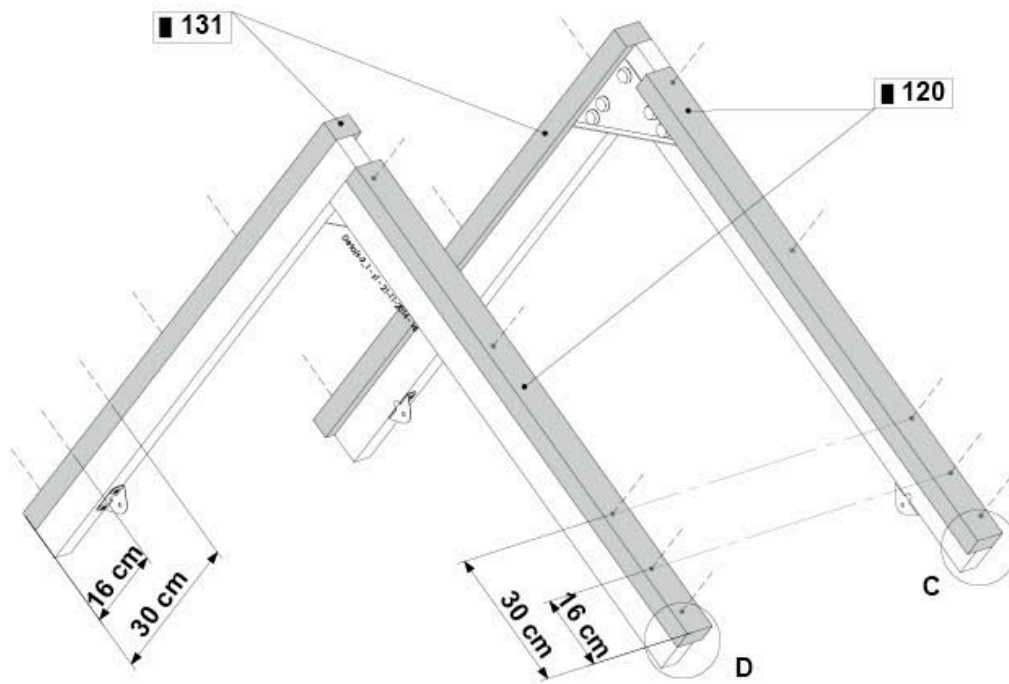
8



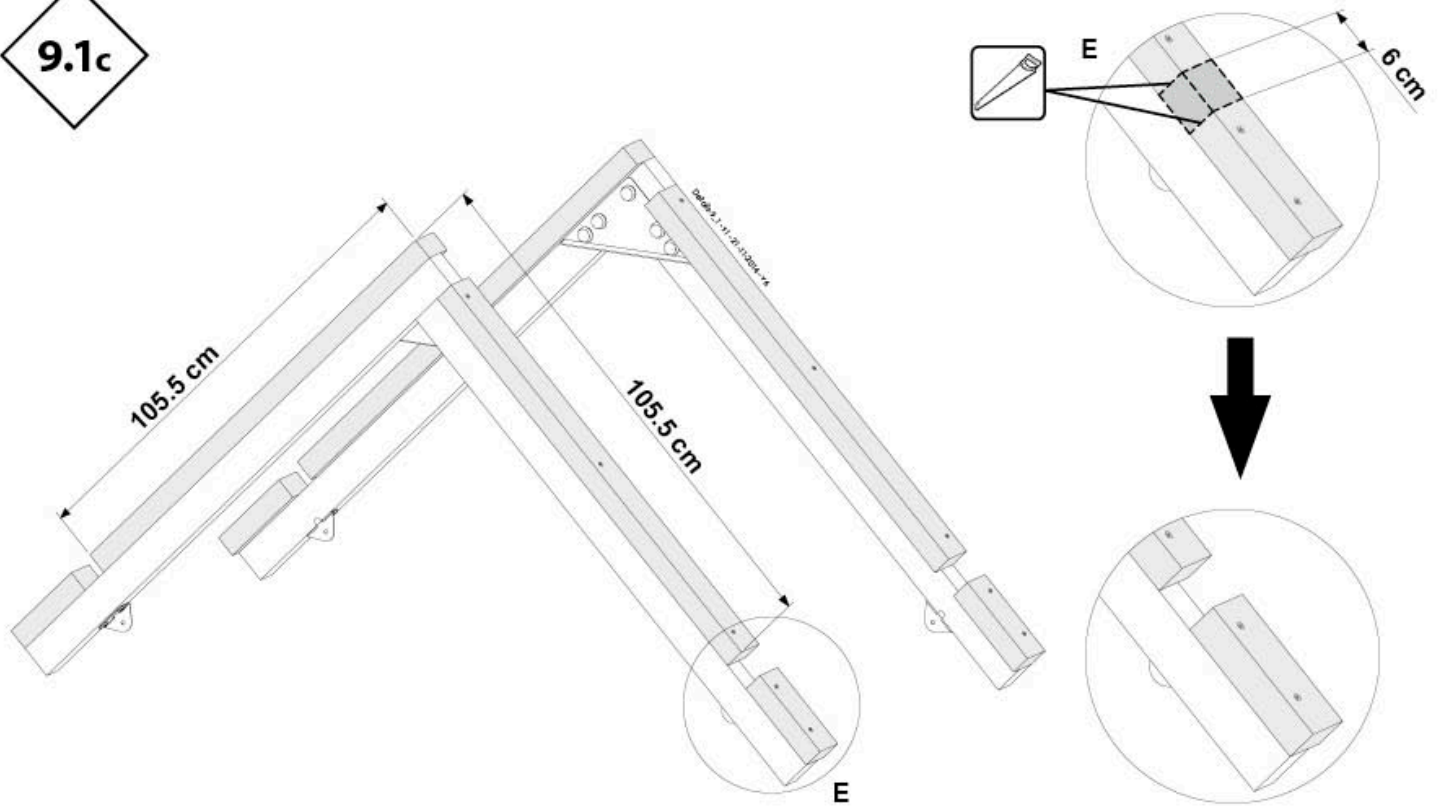
9.1a



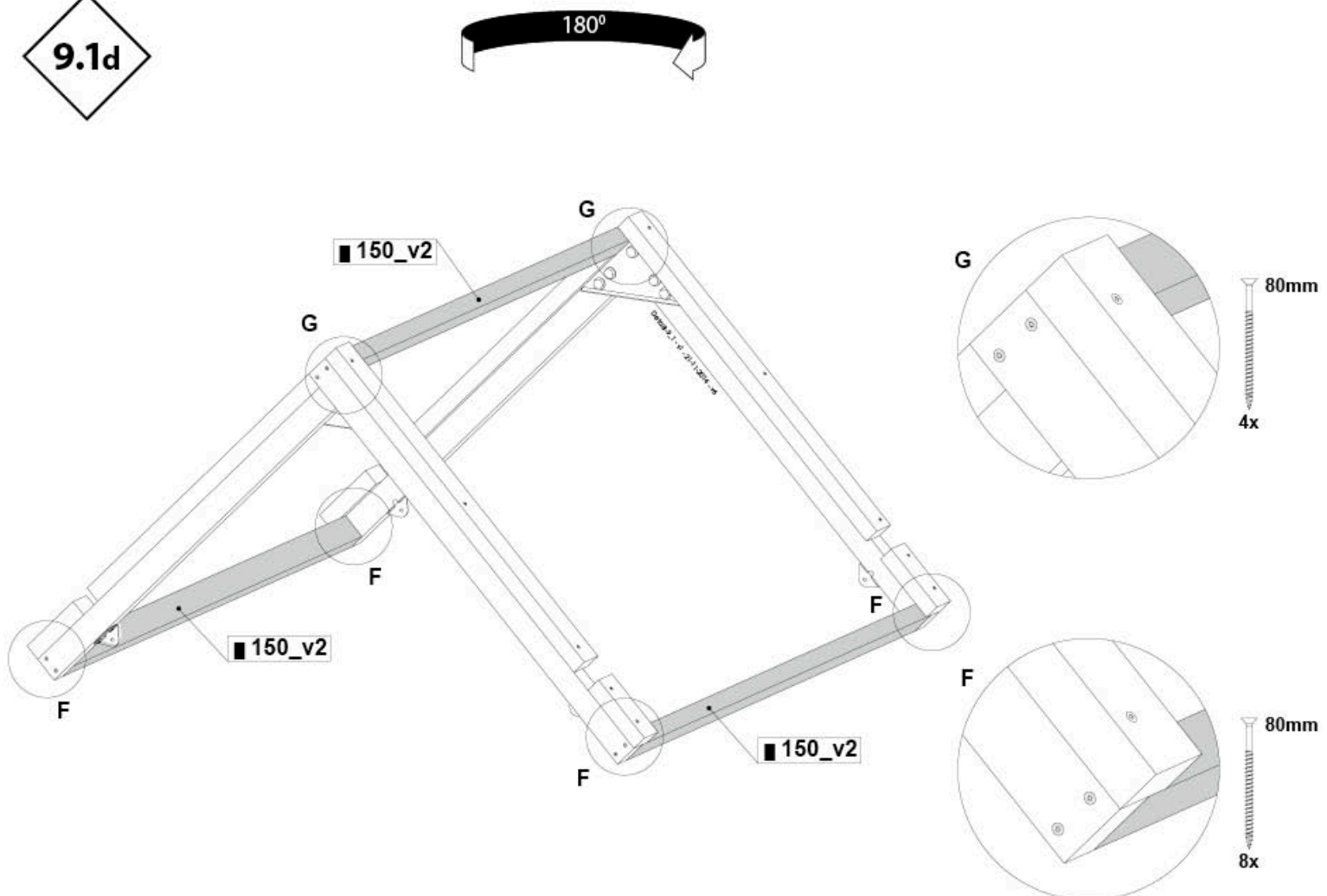
9.1b



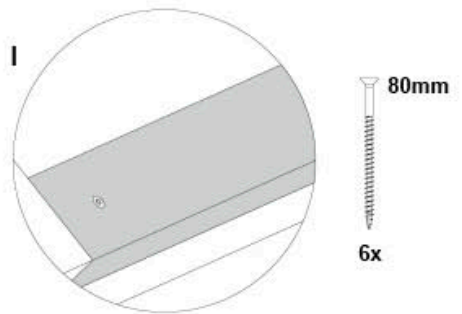
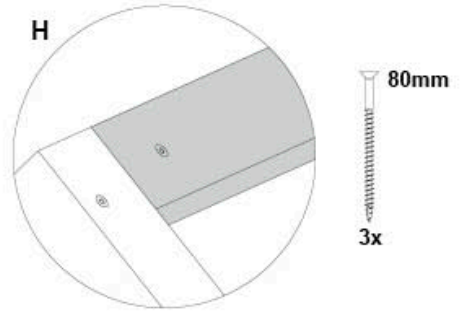
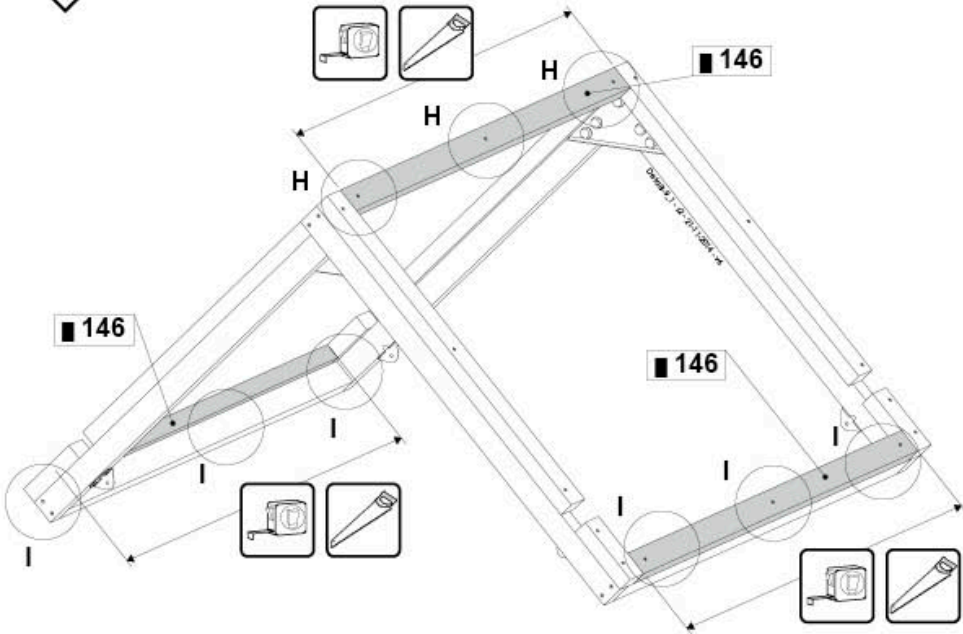
9.1c



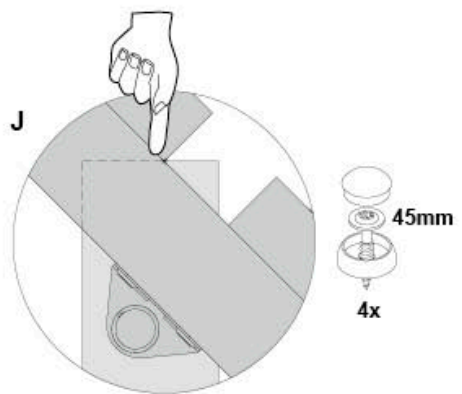
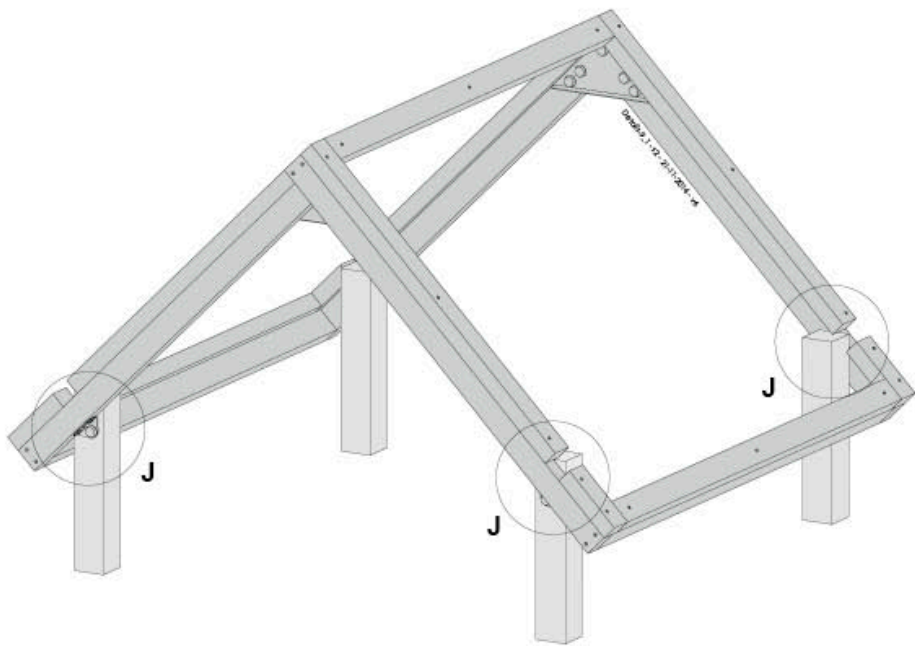
9.1d



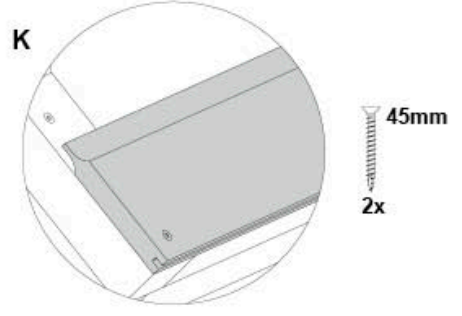
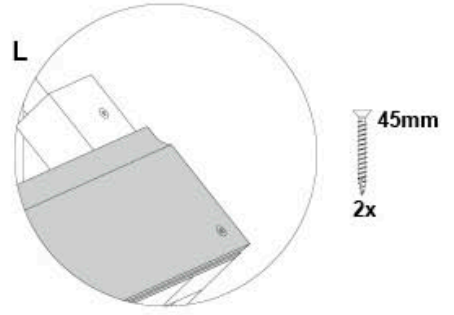
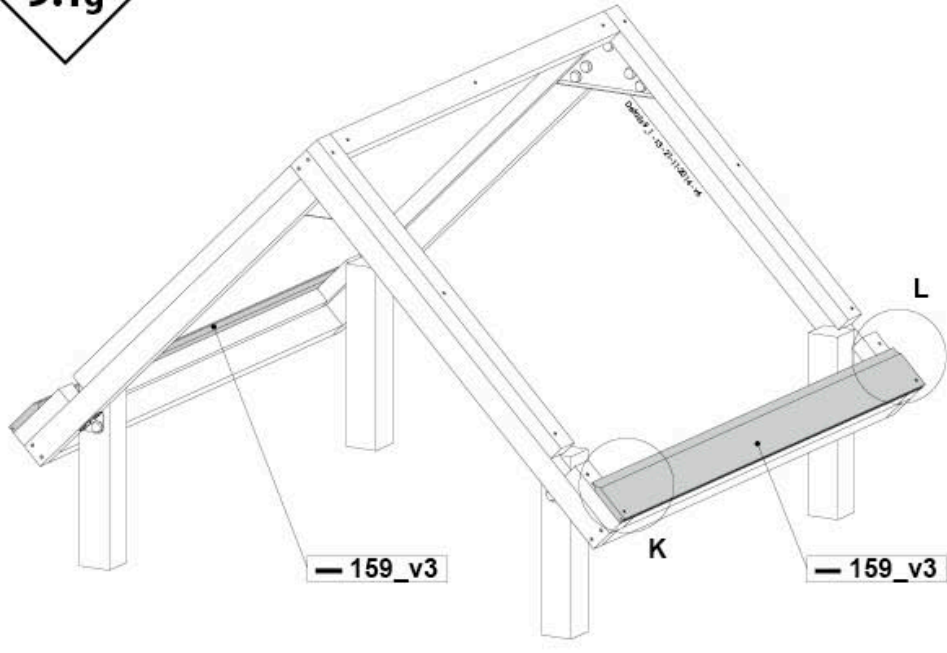
9.1e



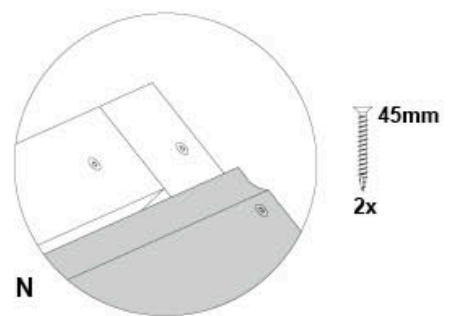
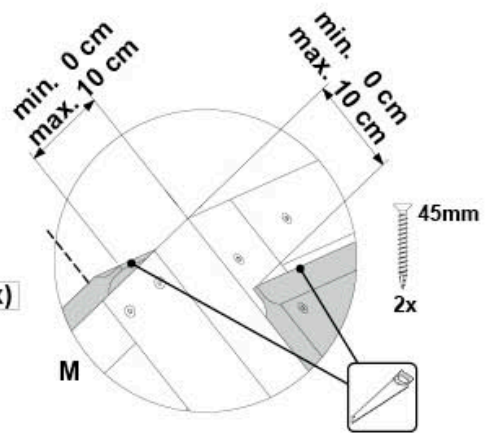
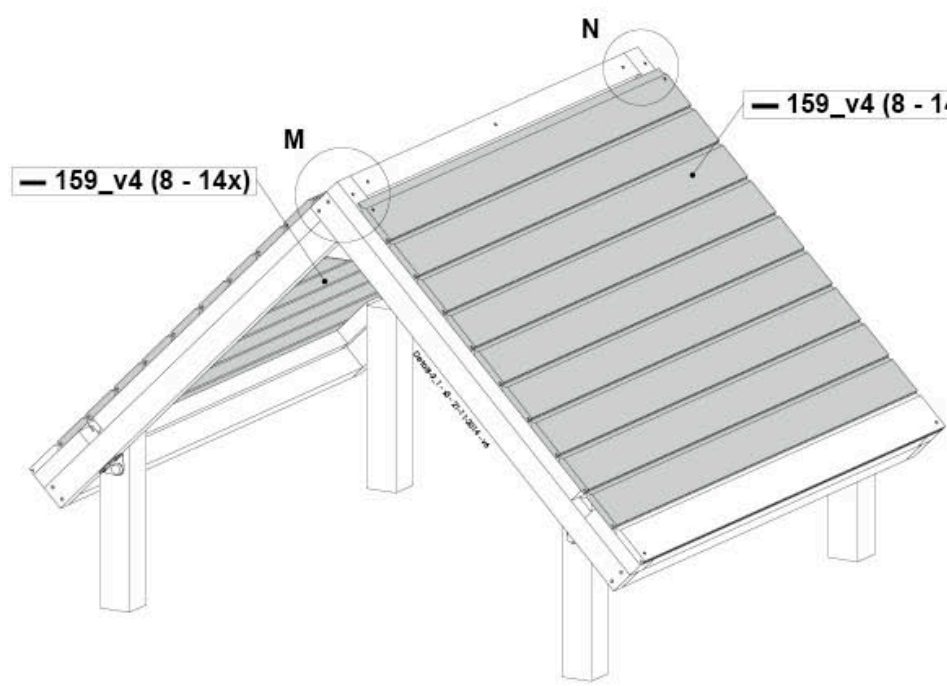
9.1f



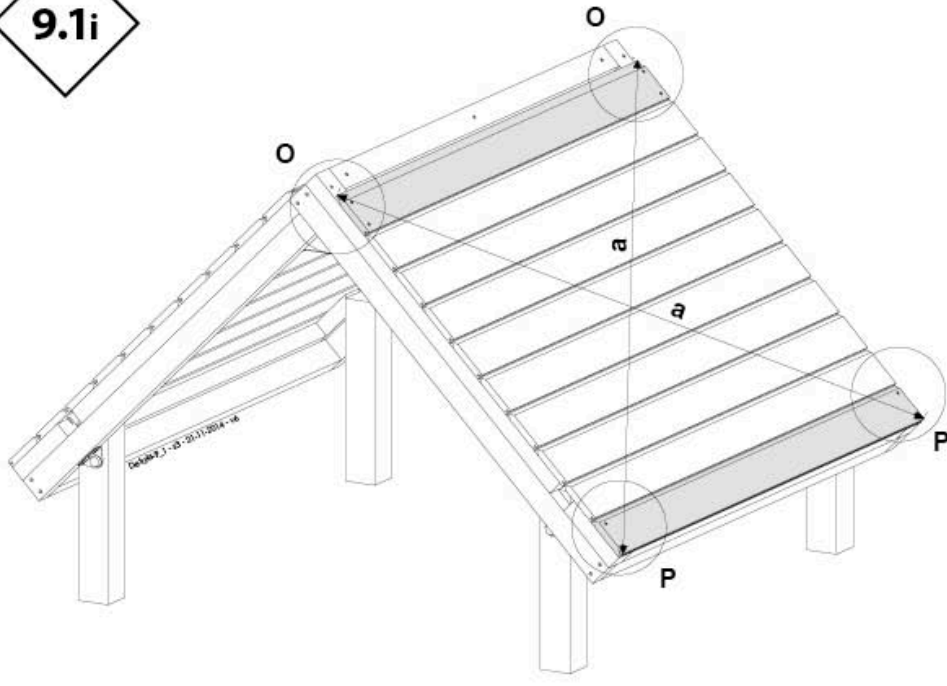
9.1g



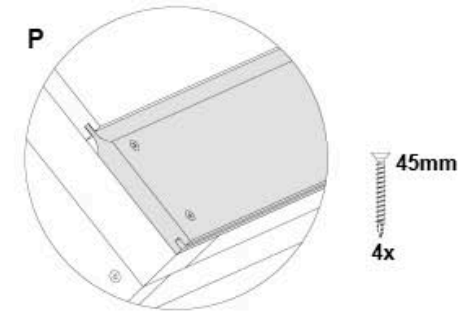
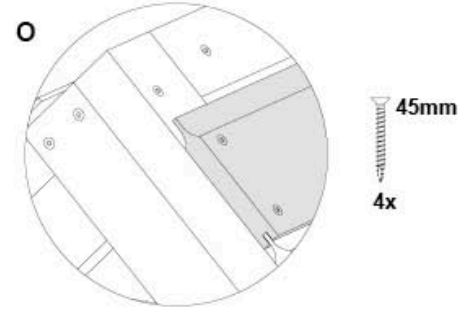
9.1h



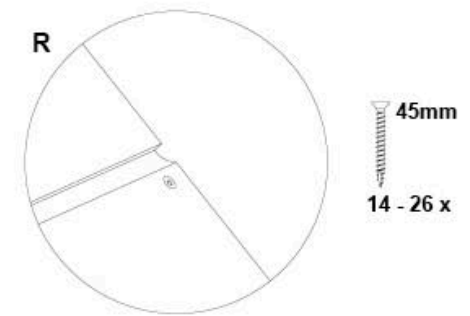
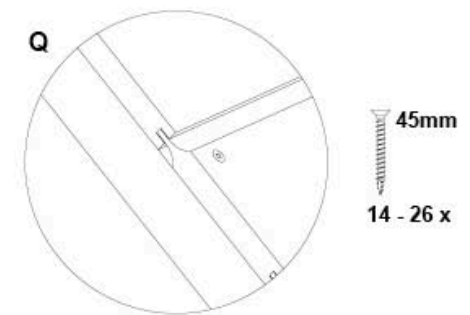
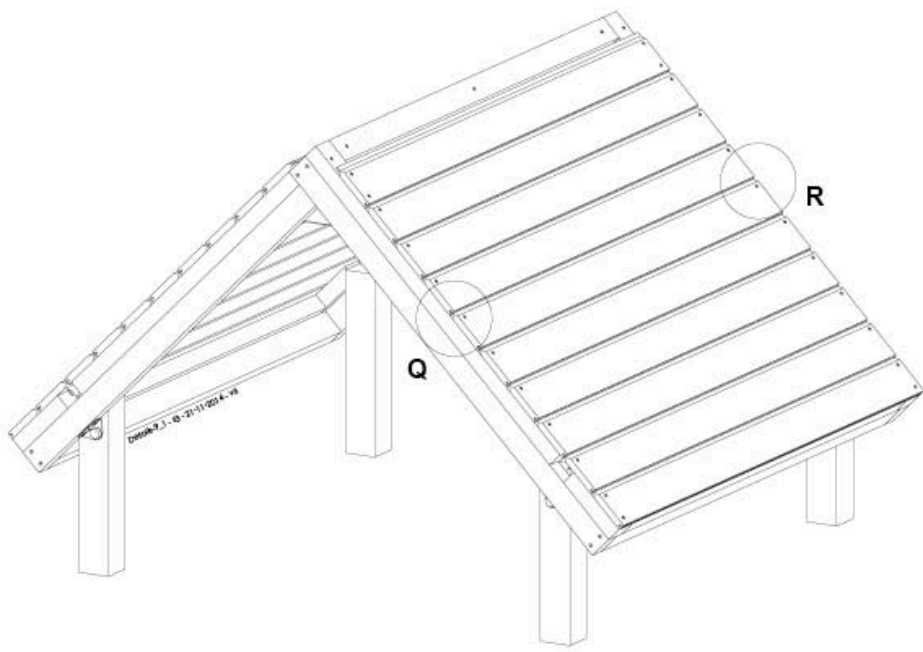
9.1i



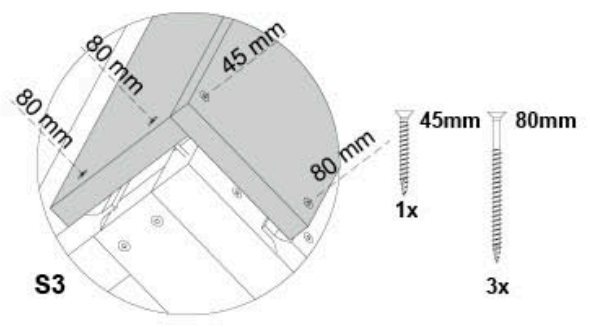
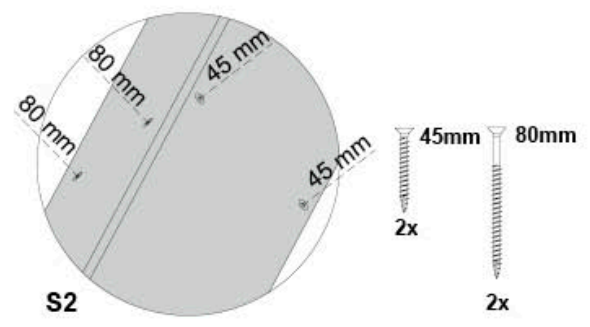
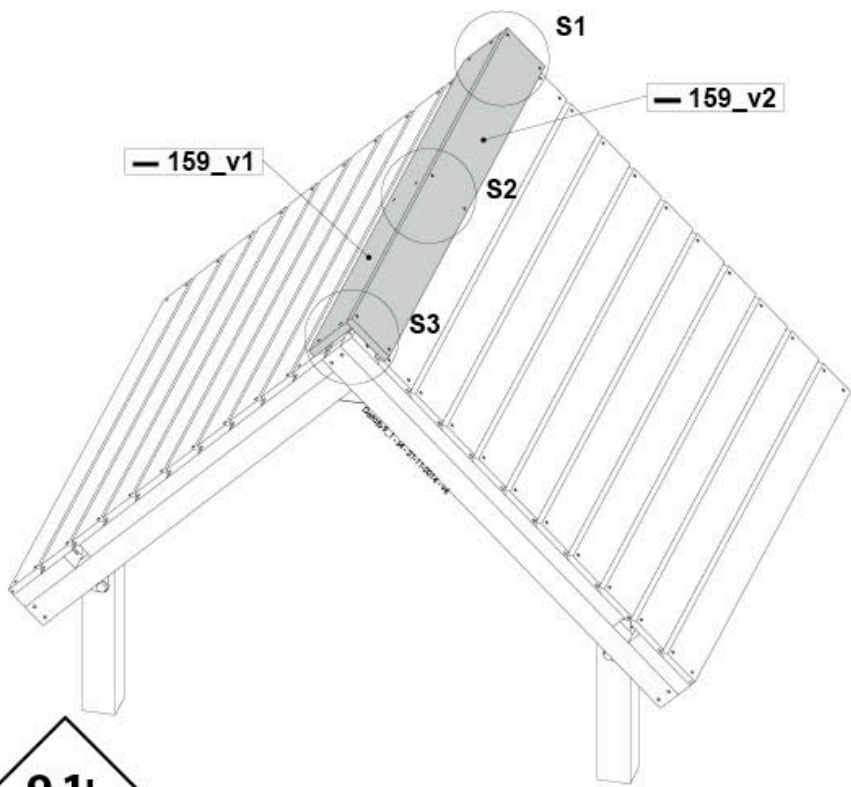
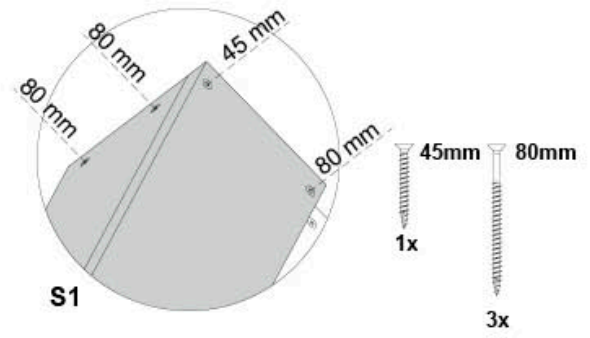
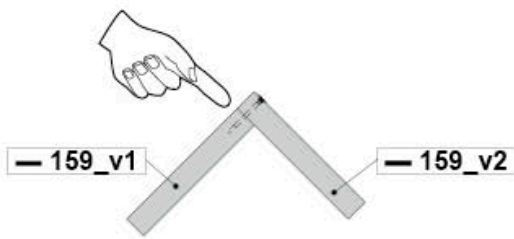
 **a = a**



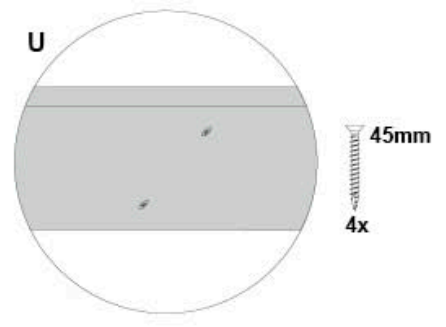
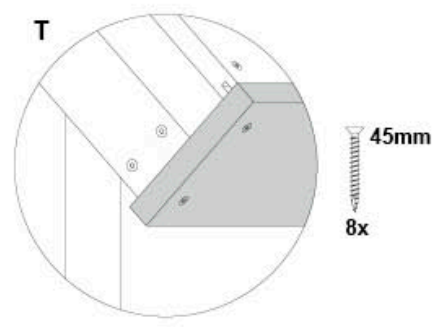
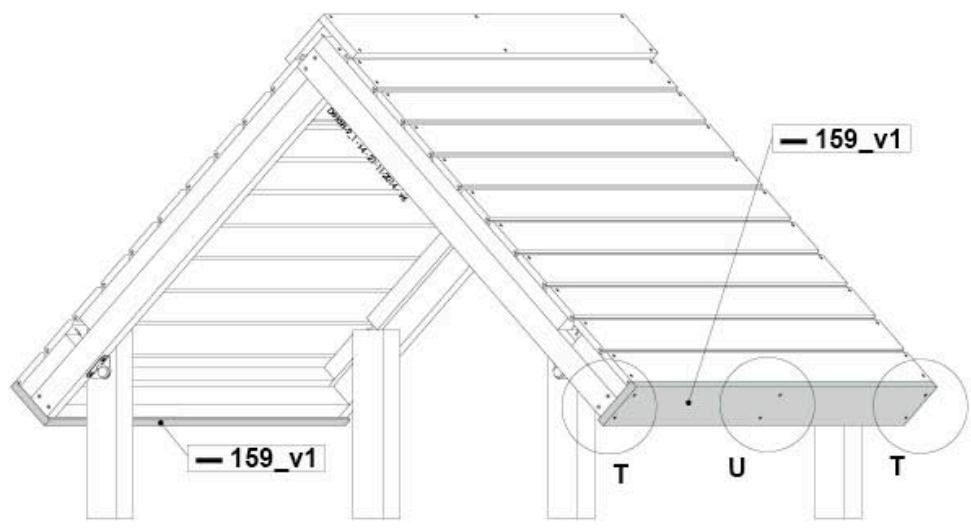
9.1j



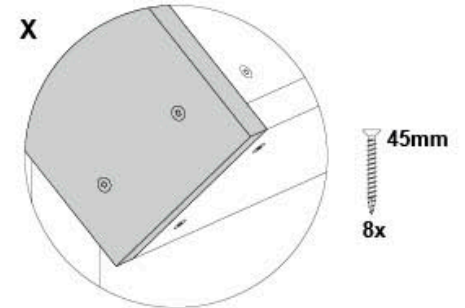
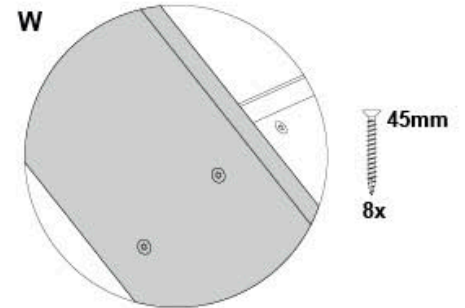
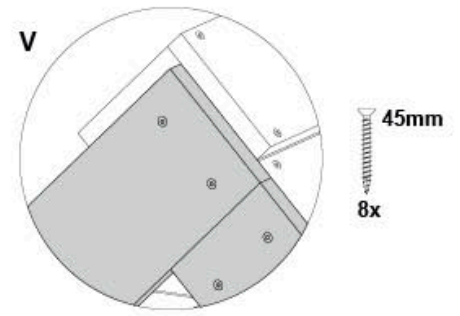
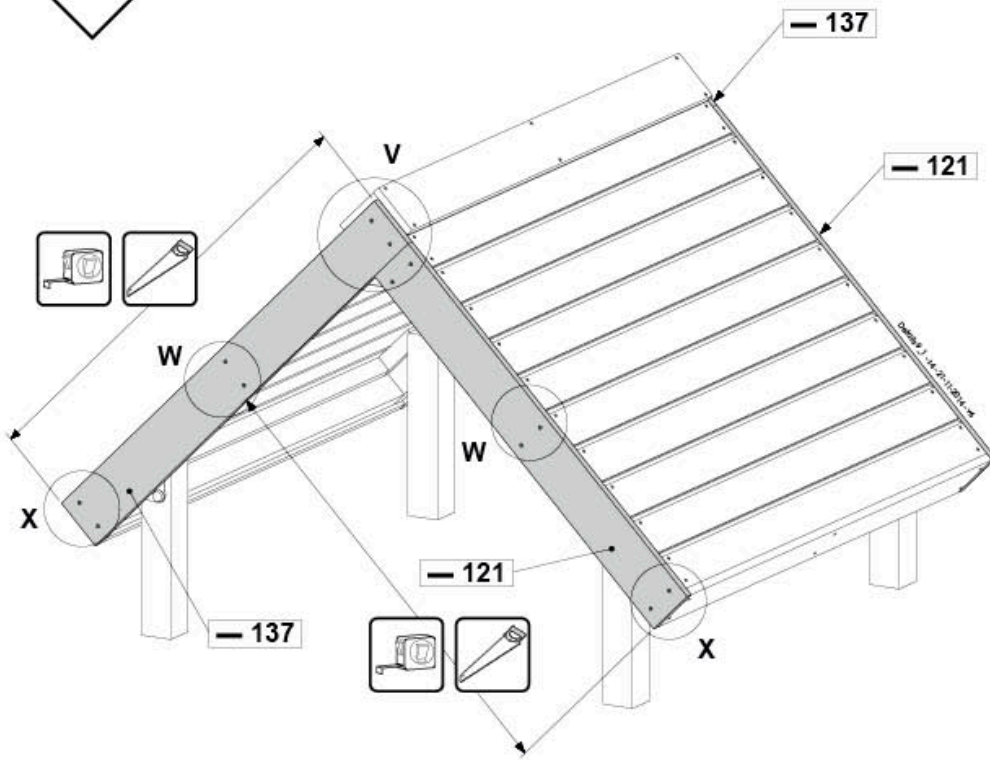
9.1k



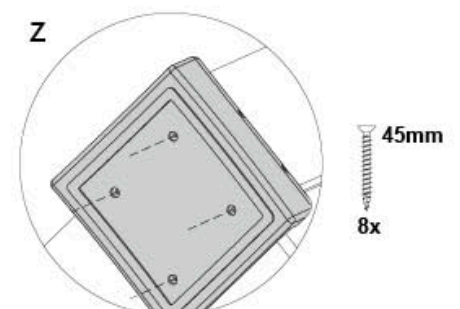
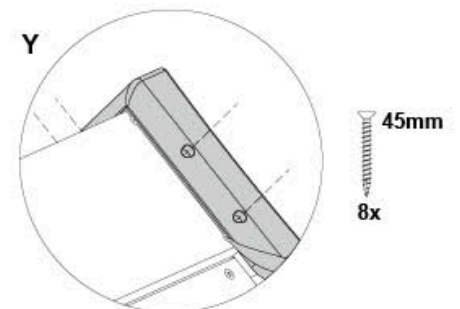
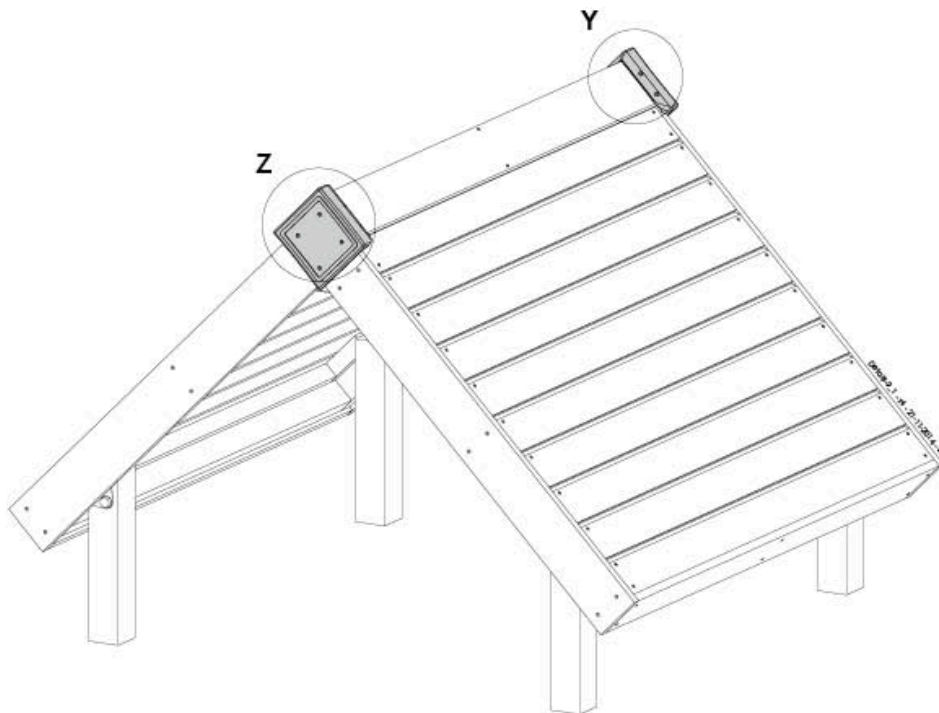
9.1L



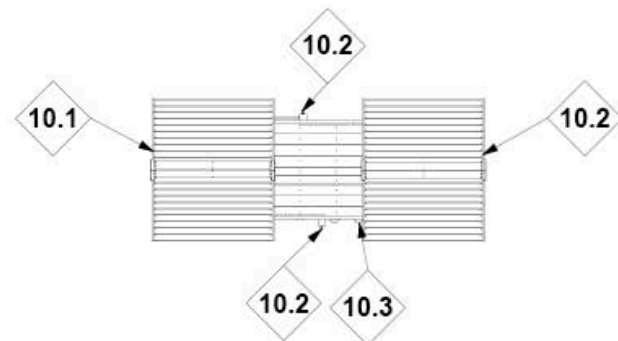
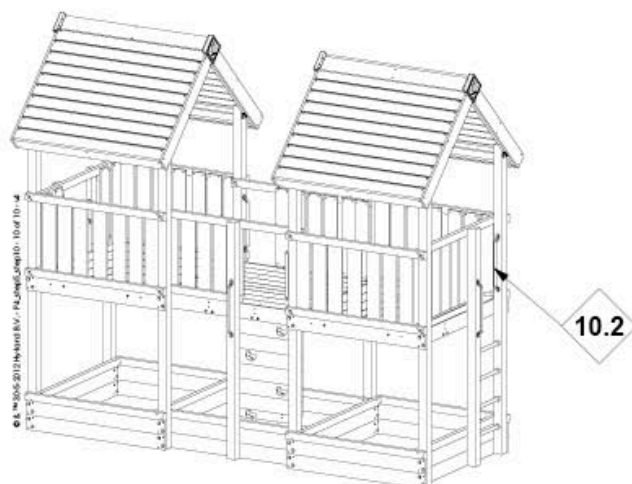
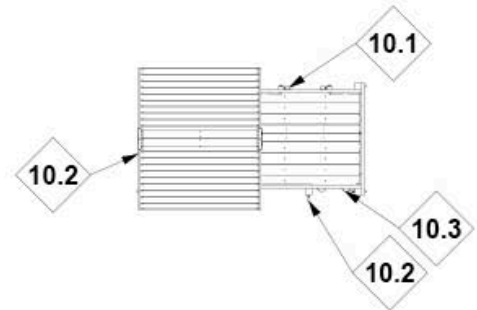
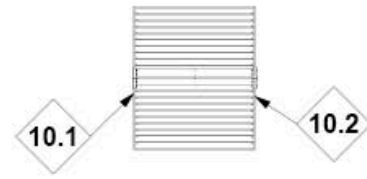
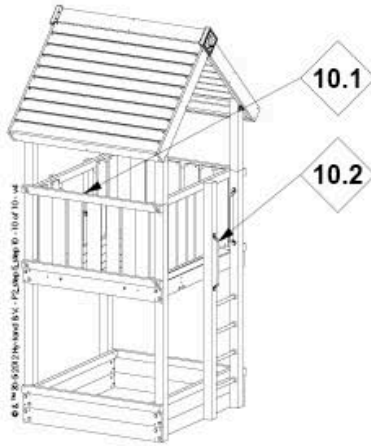
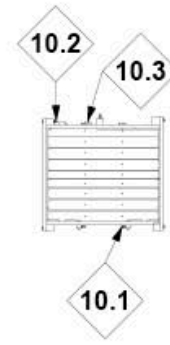
9.1m



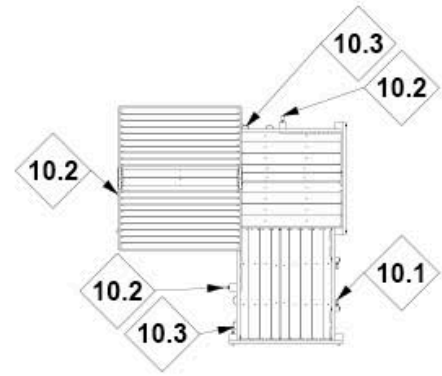
9.1n



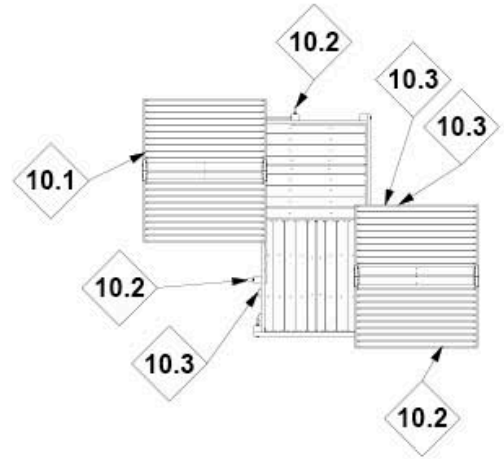
10



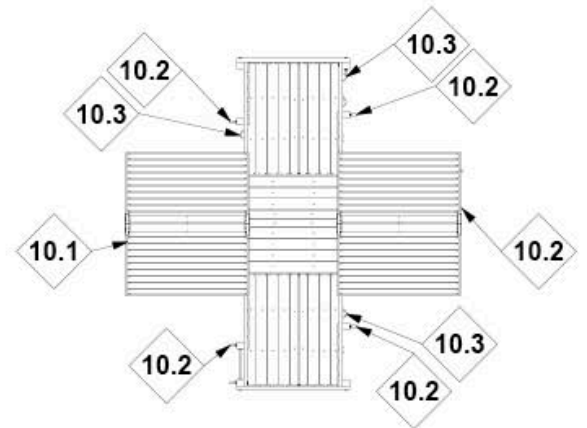
5



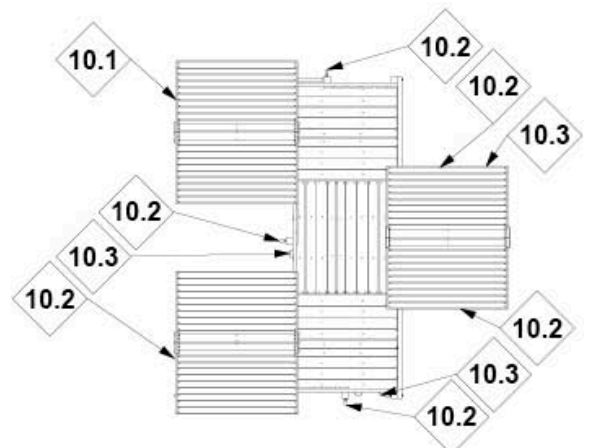
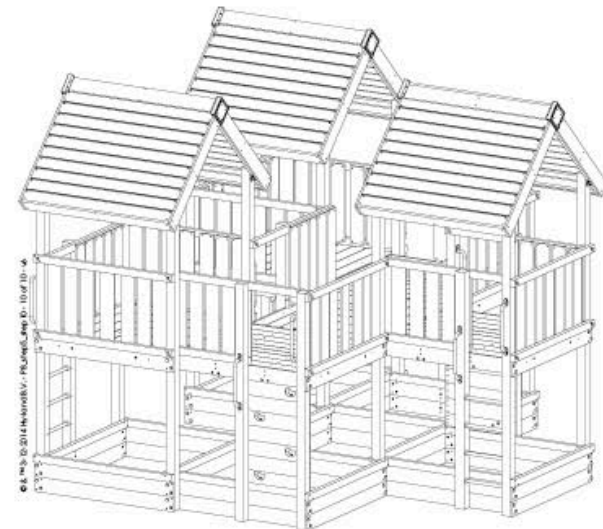
6



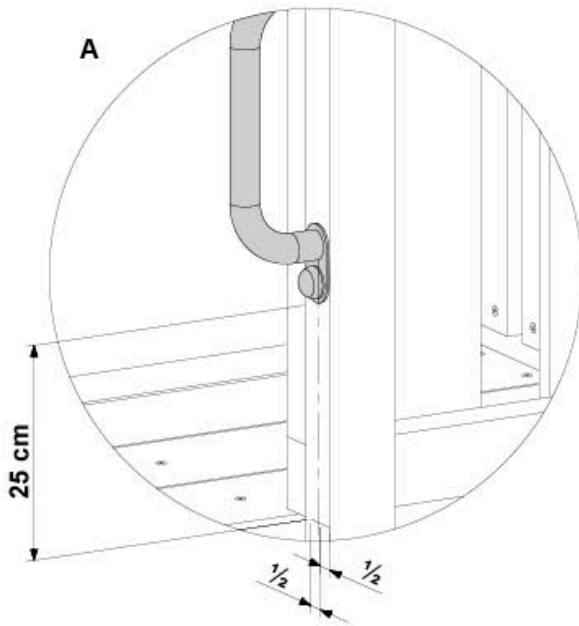
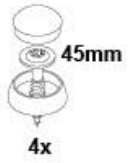
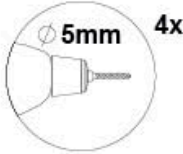
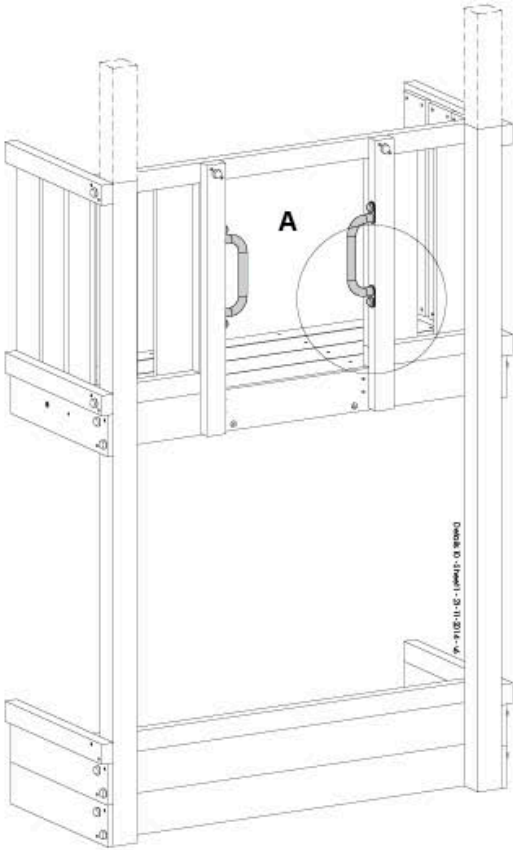
7



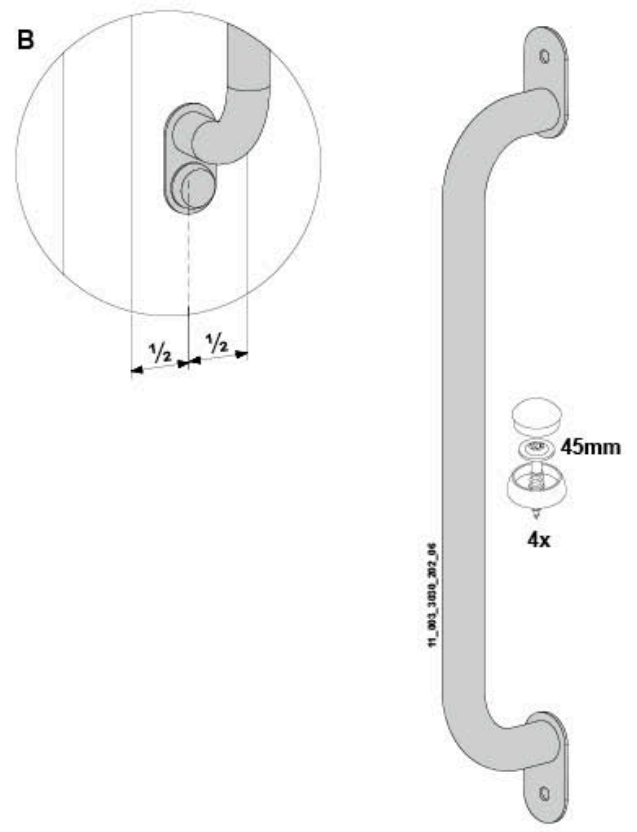
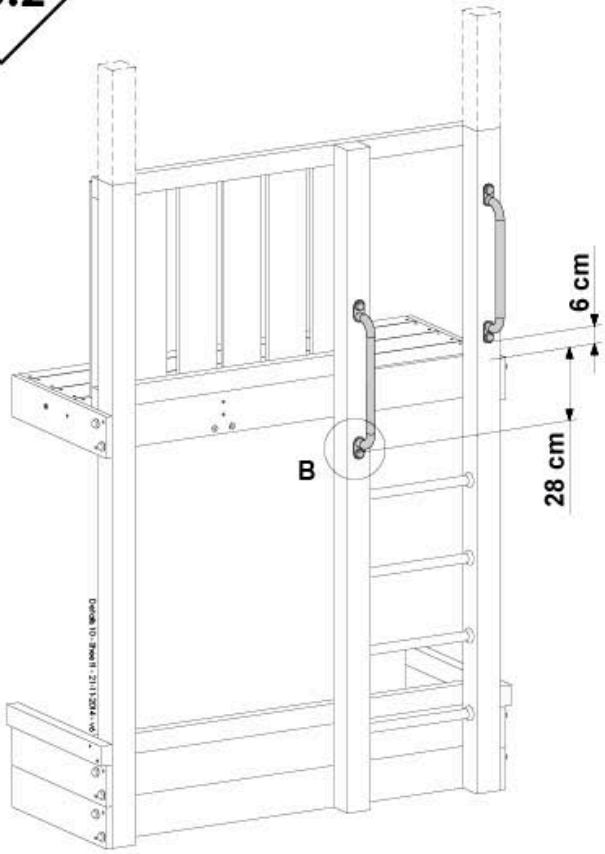
8



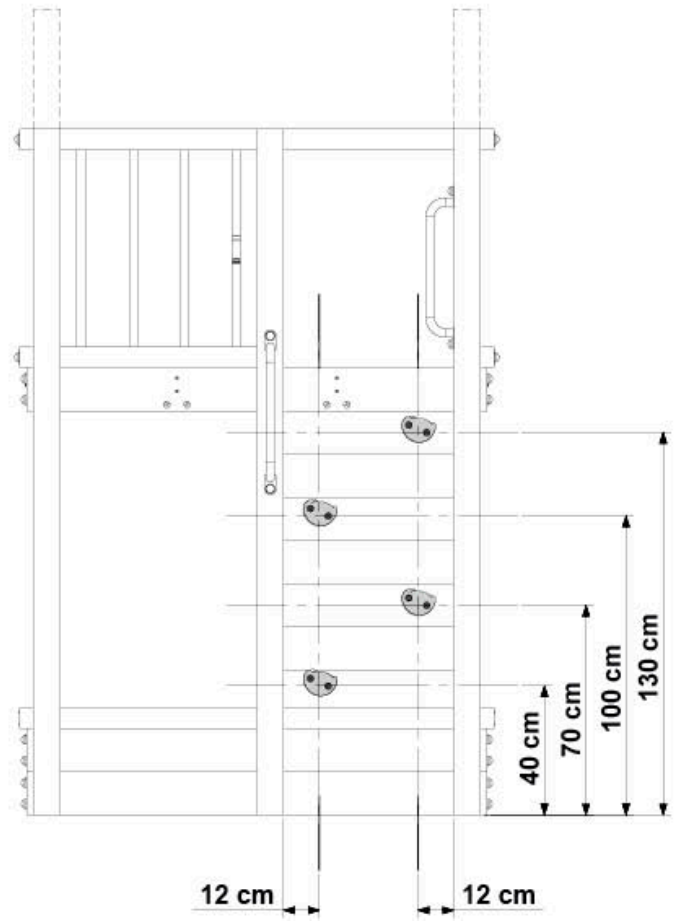
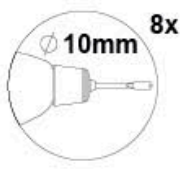
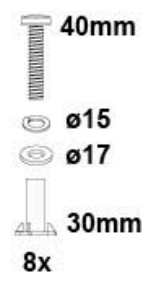
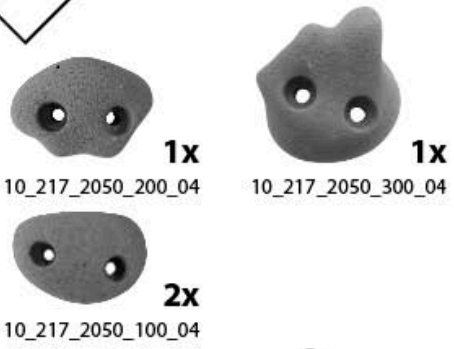
10.1



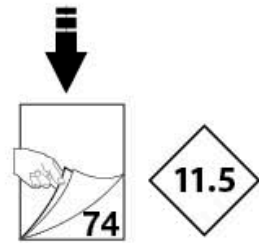
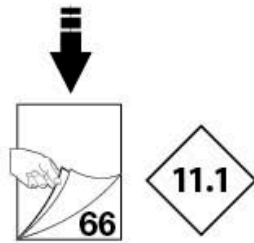
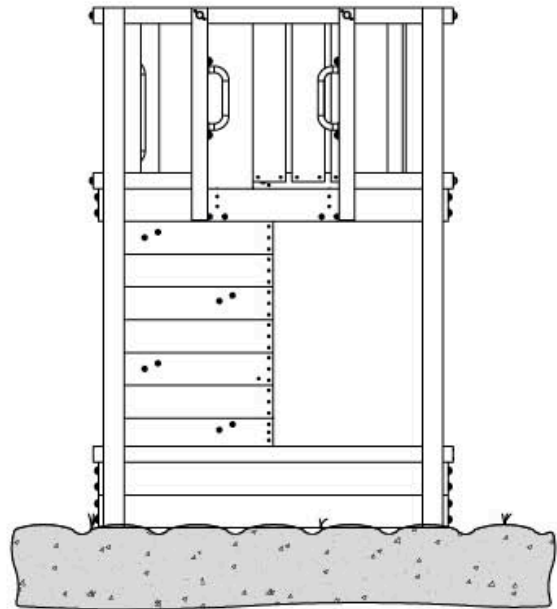
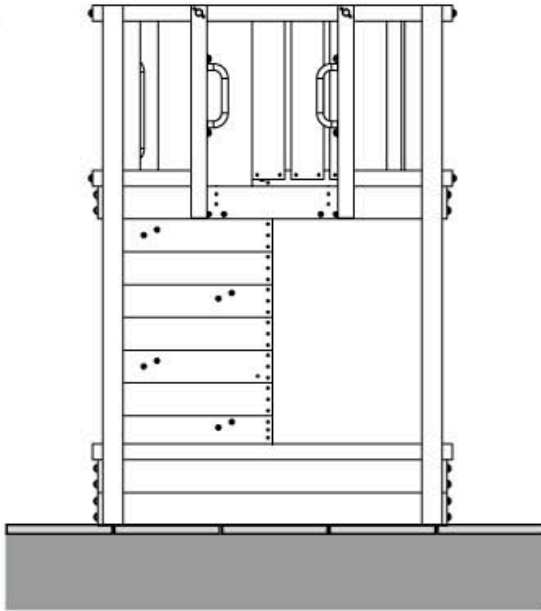
10.2



10.3



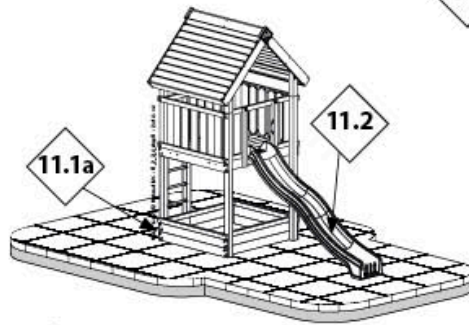
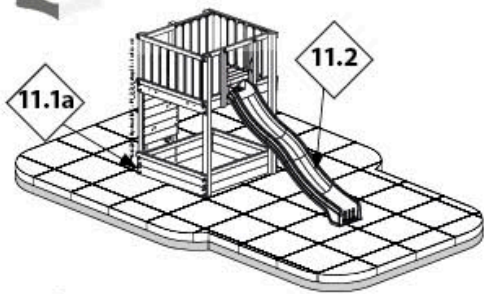
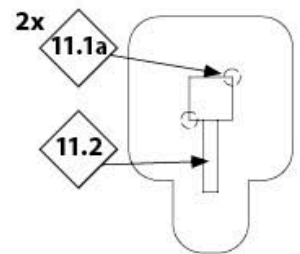
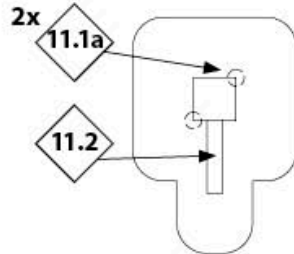
11



11.1

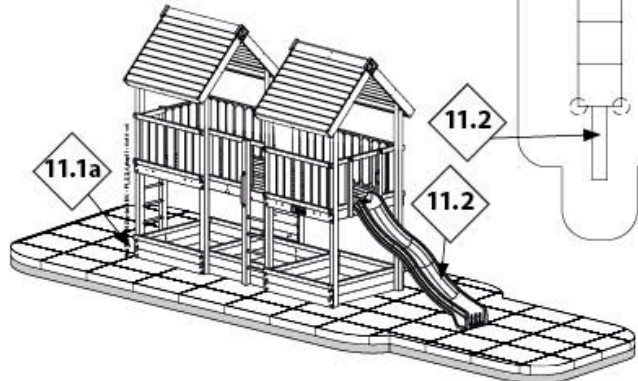
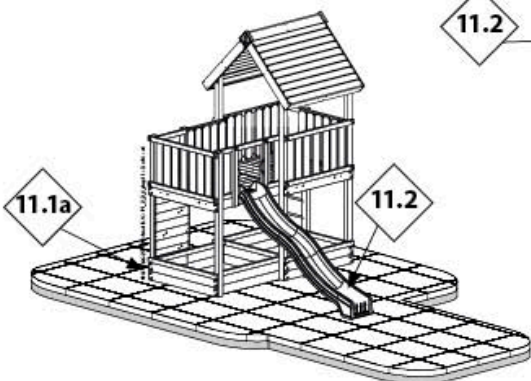
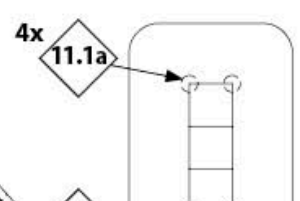
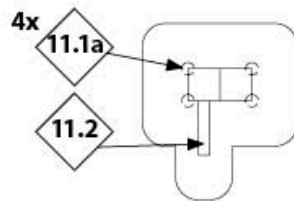
P2

P1



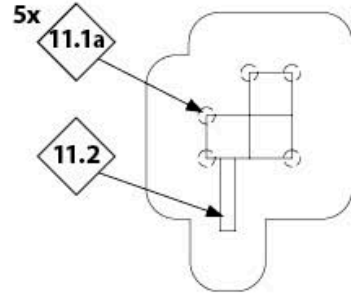
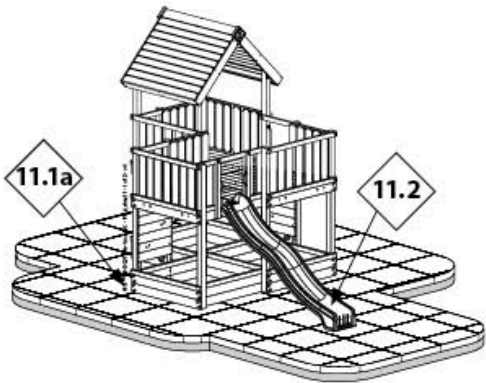
P3

P4

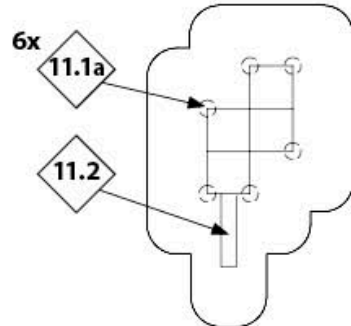
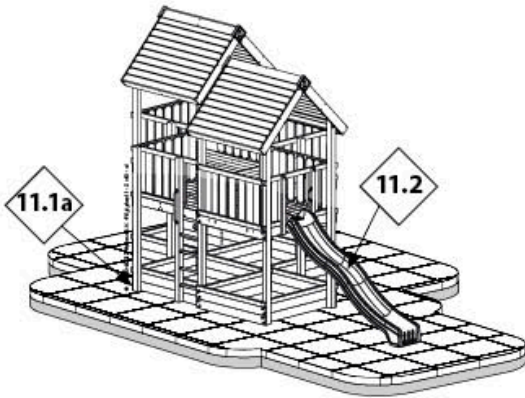


11.1

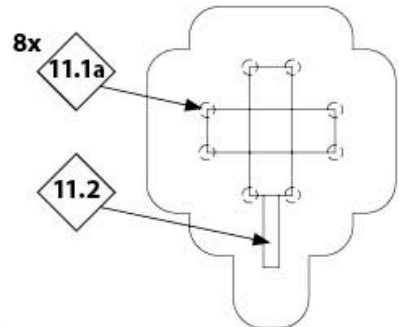
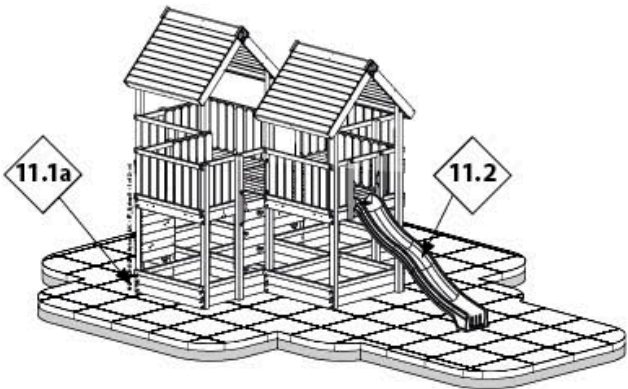
P5



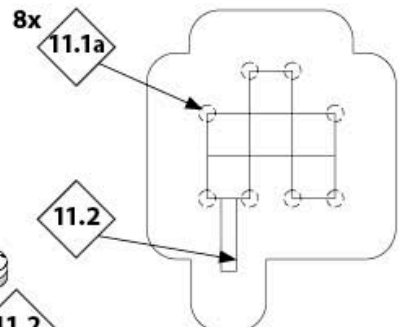
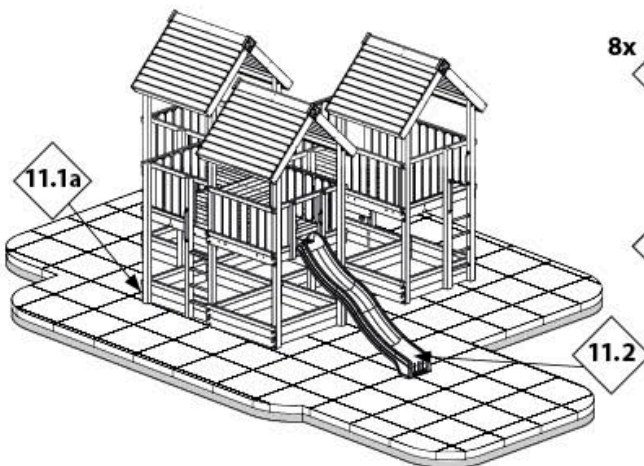
P6



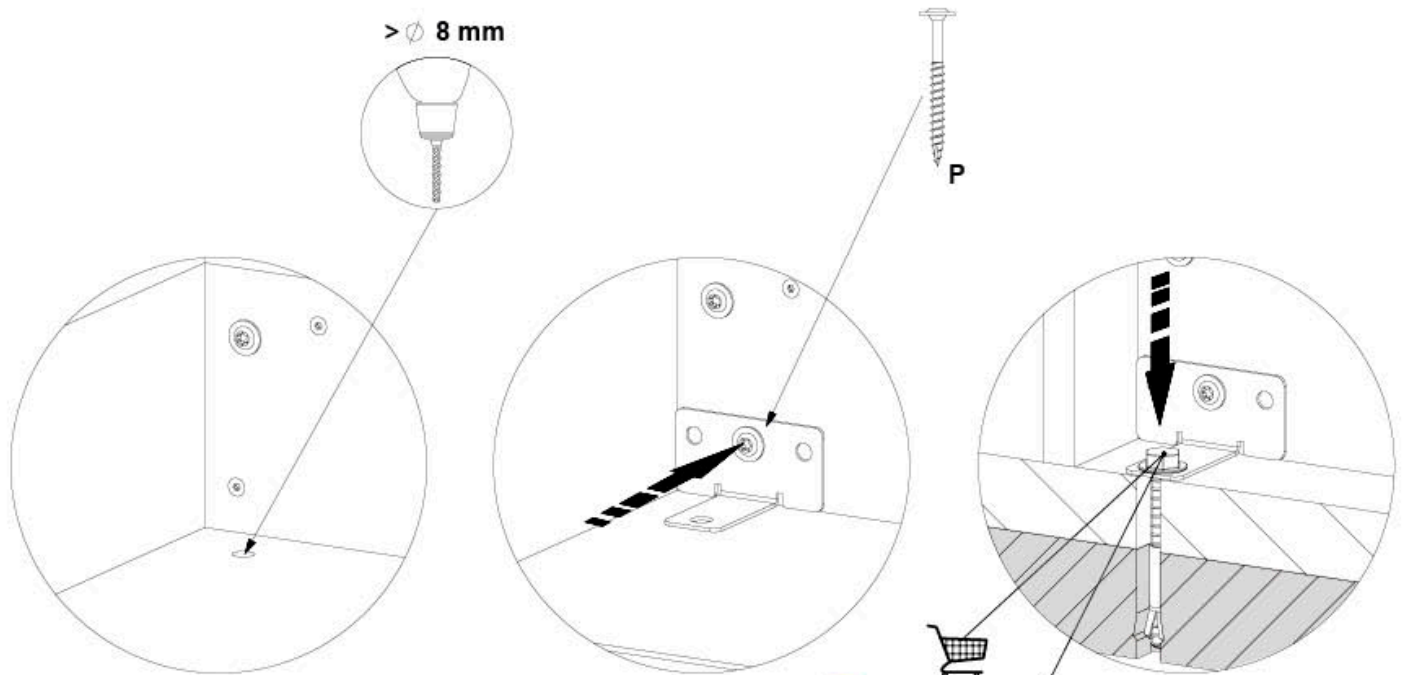
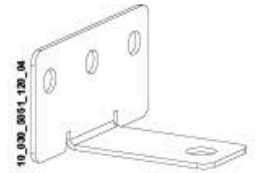
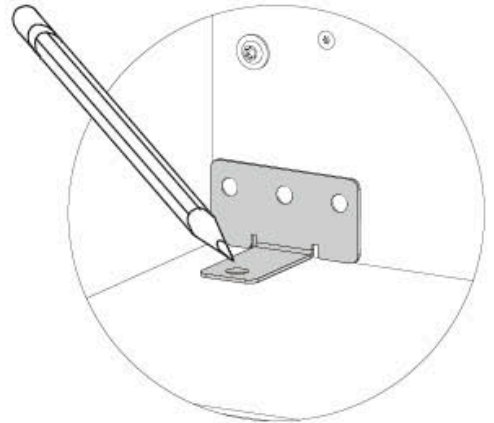
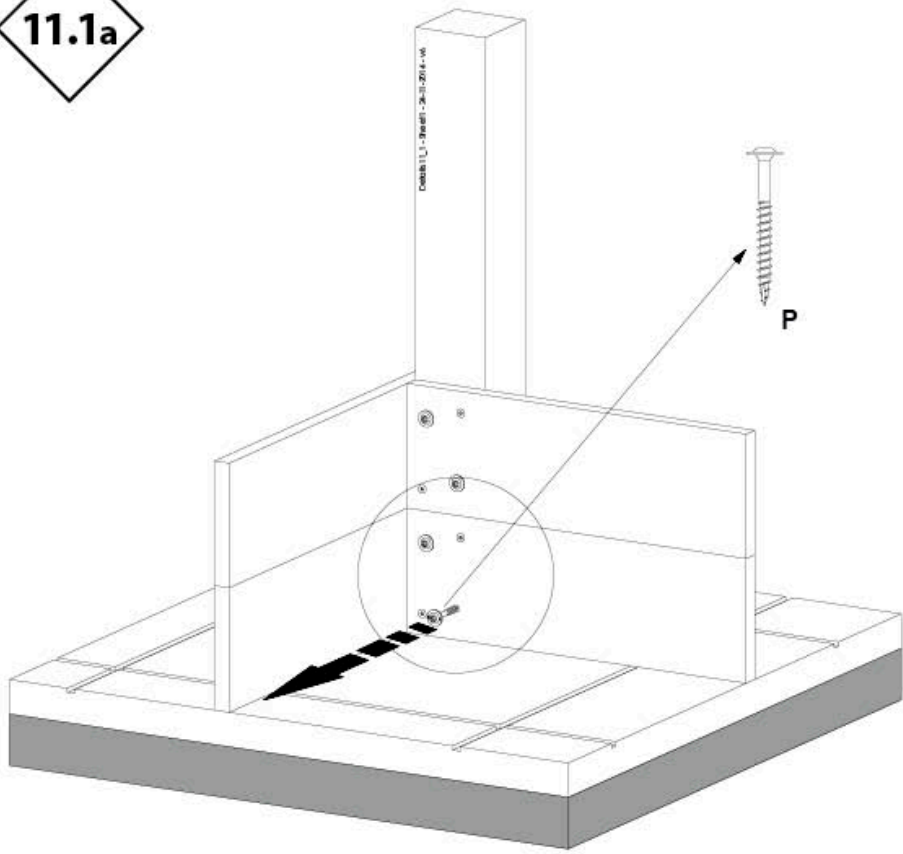
P7



P8



11.1a



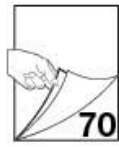
i Part 1

11.1a

11.2



**Polyethylene
Slide**



11.3

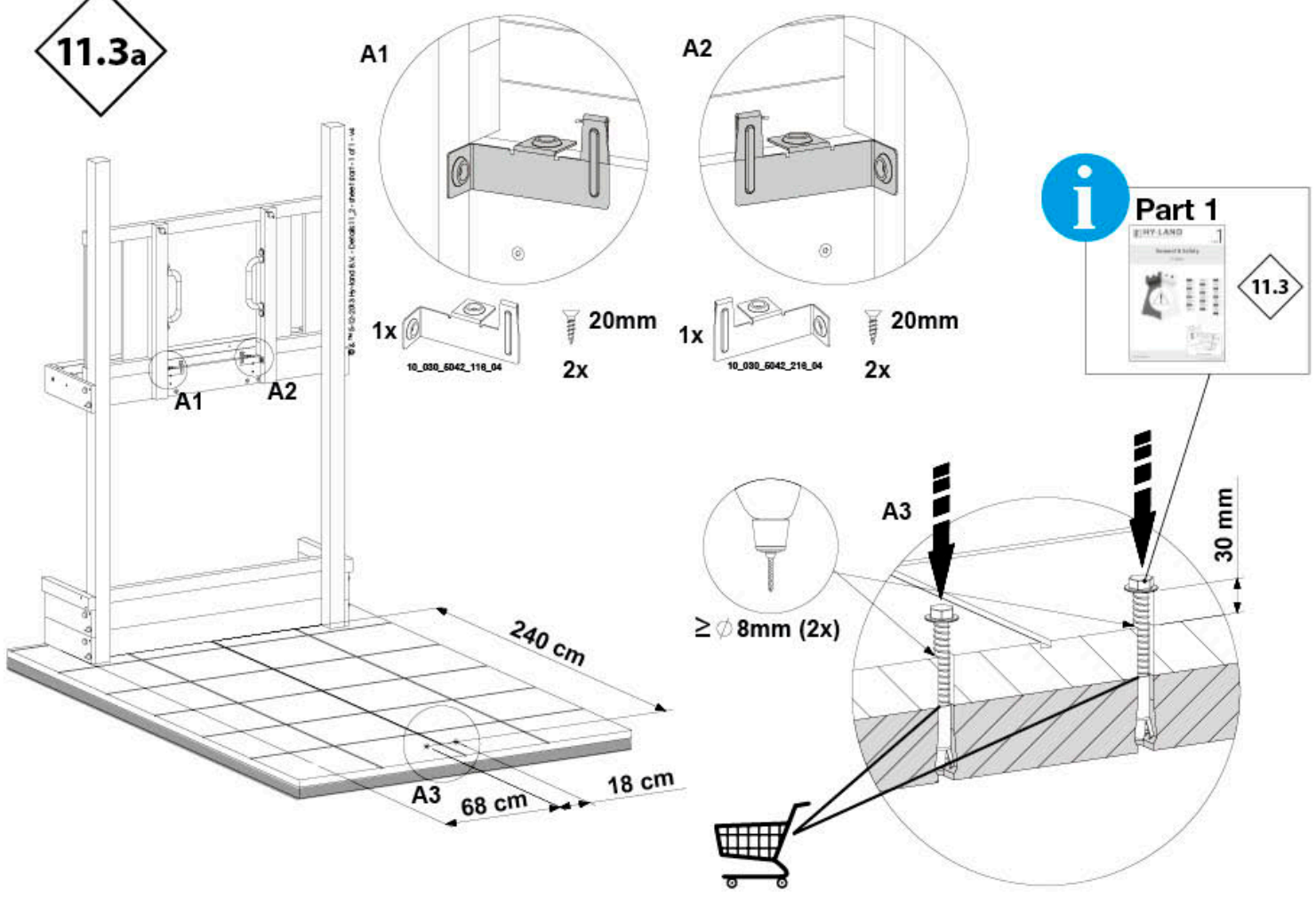


**Stainless Steel
Slide**

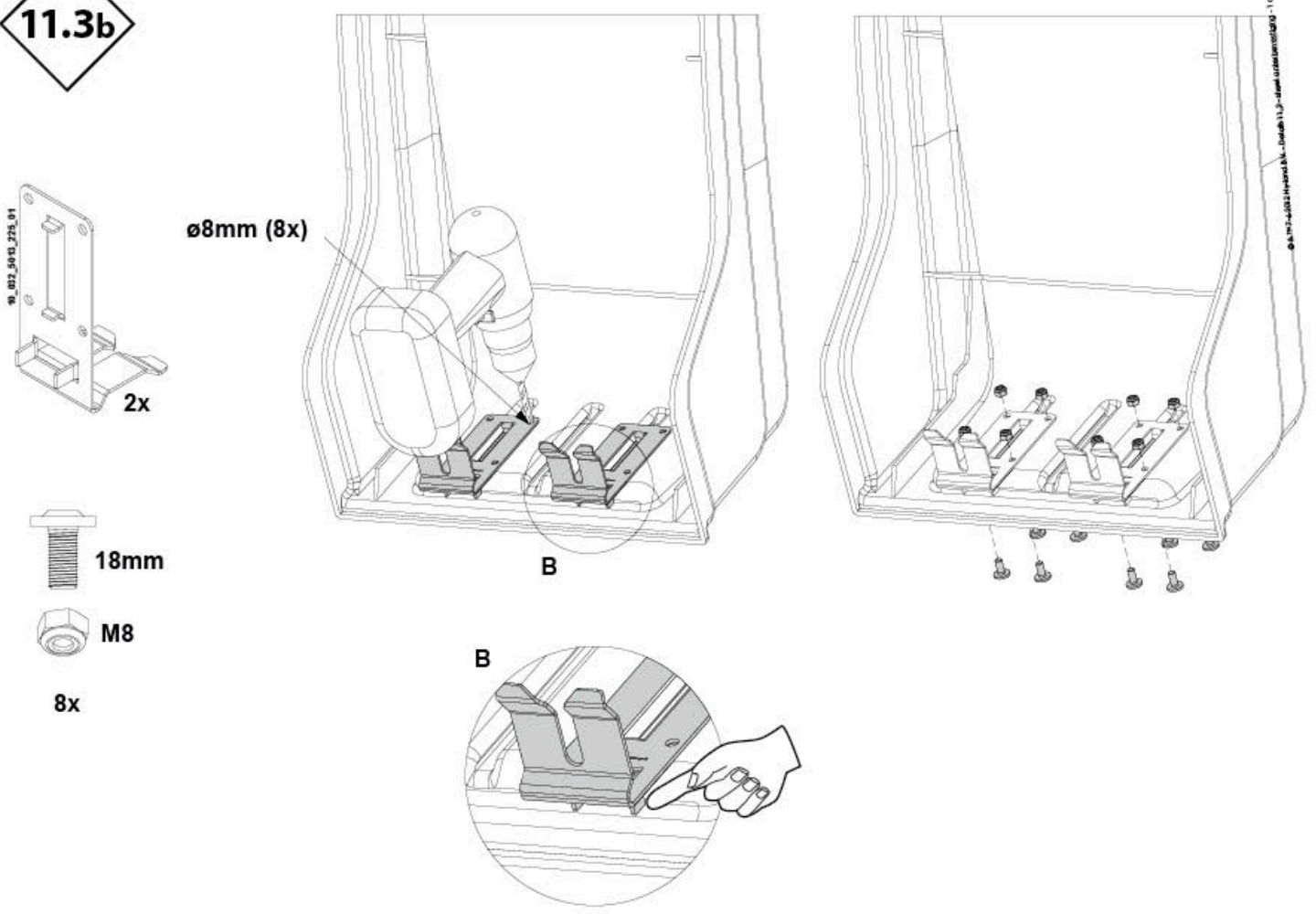


11.4

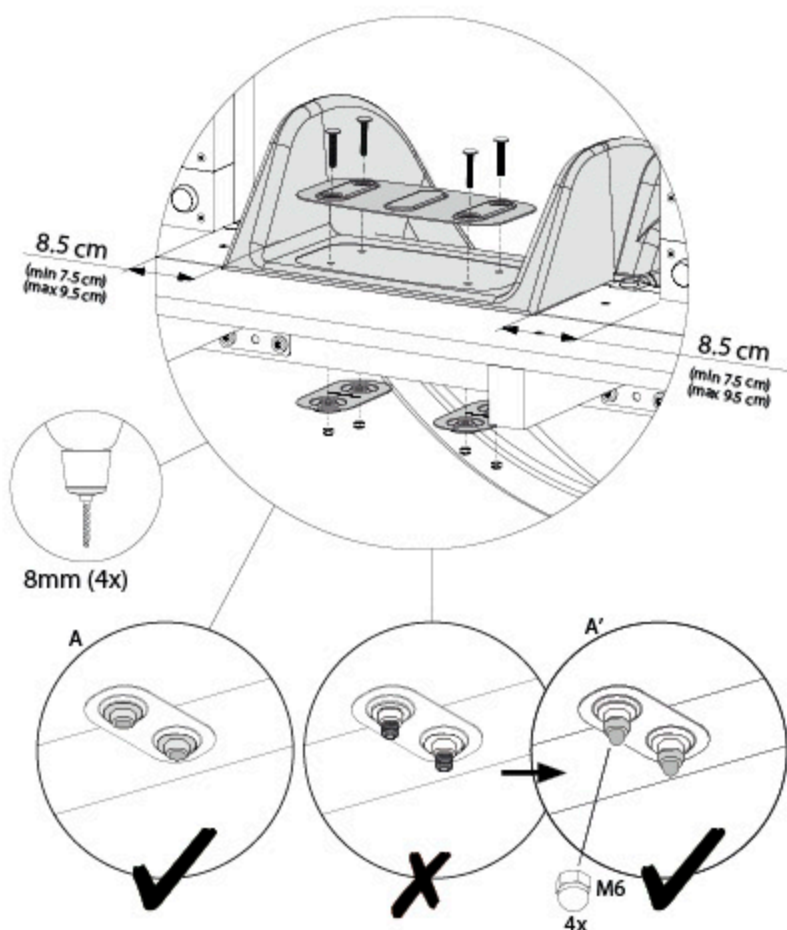
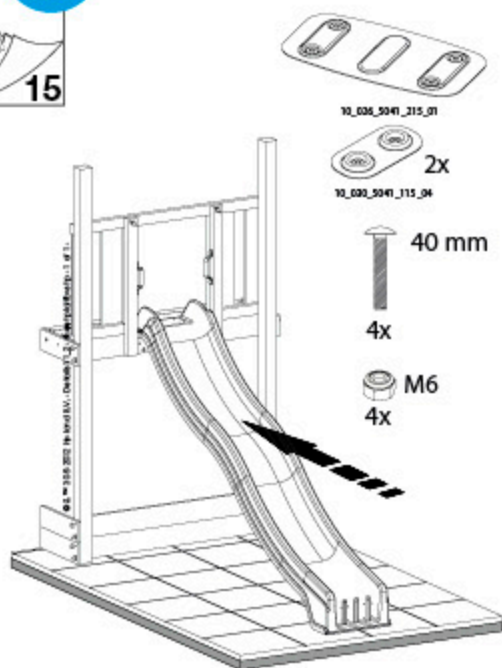
11.3a



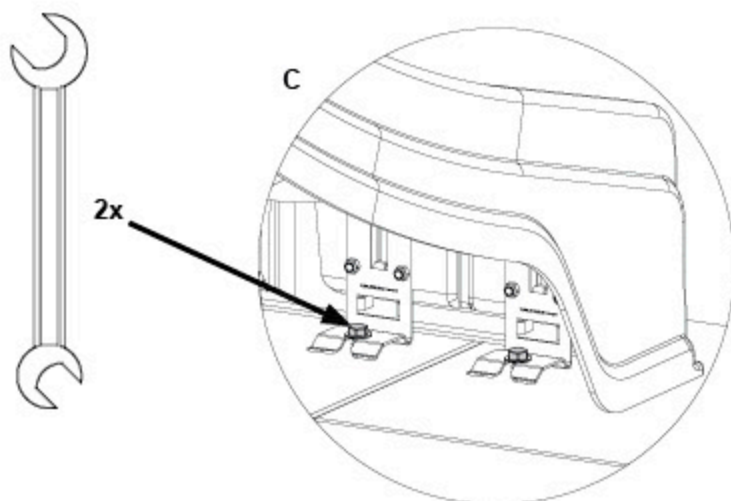
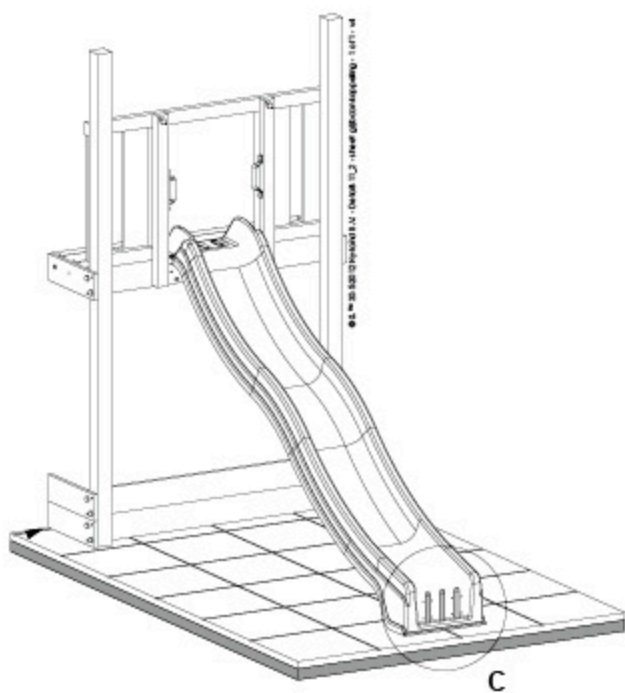
11.3b



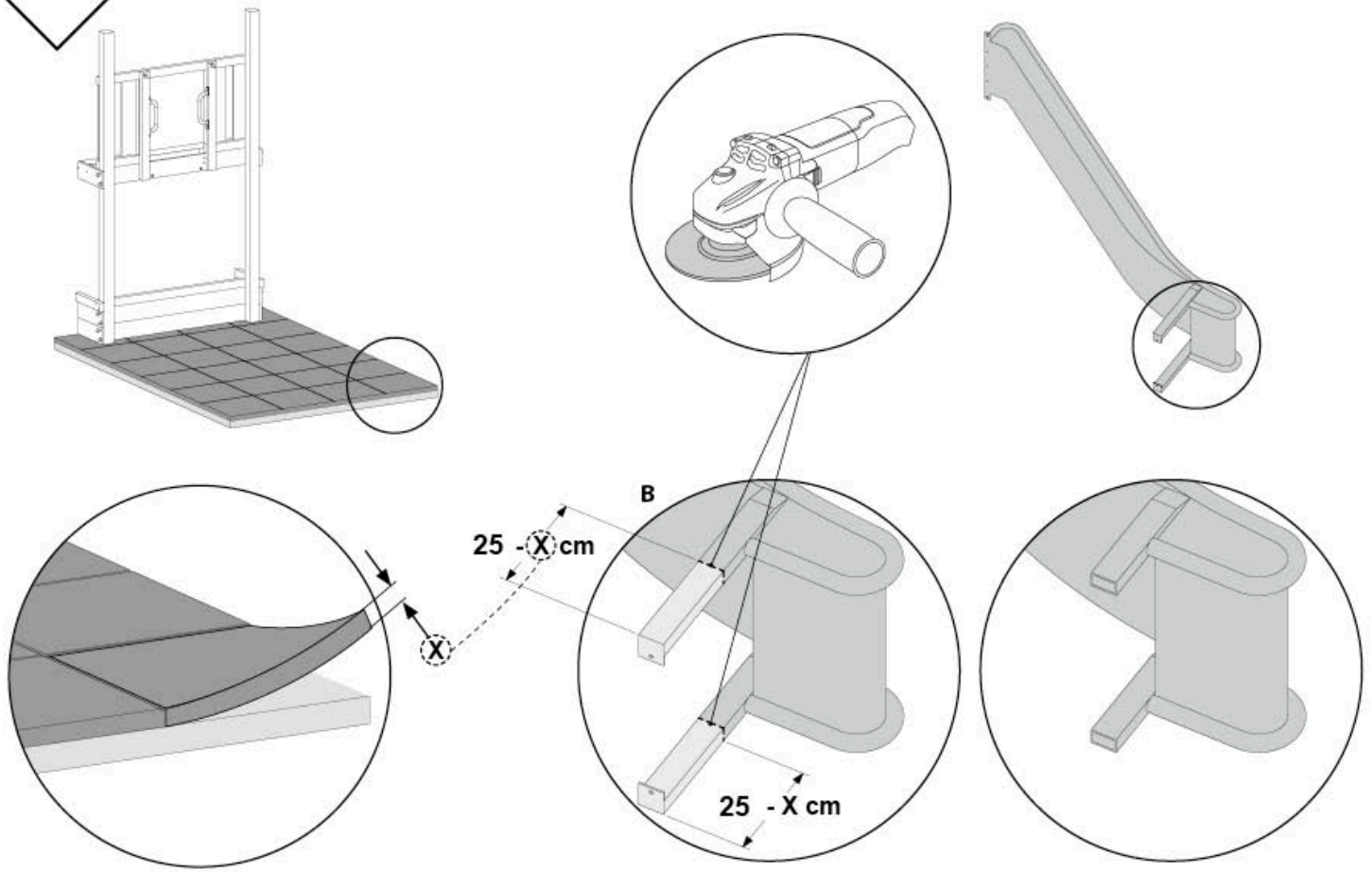
11.3c



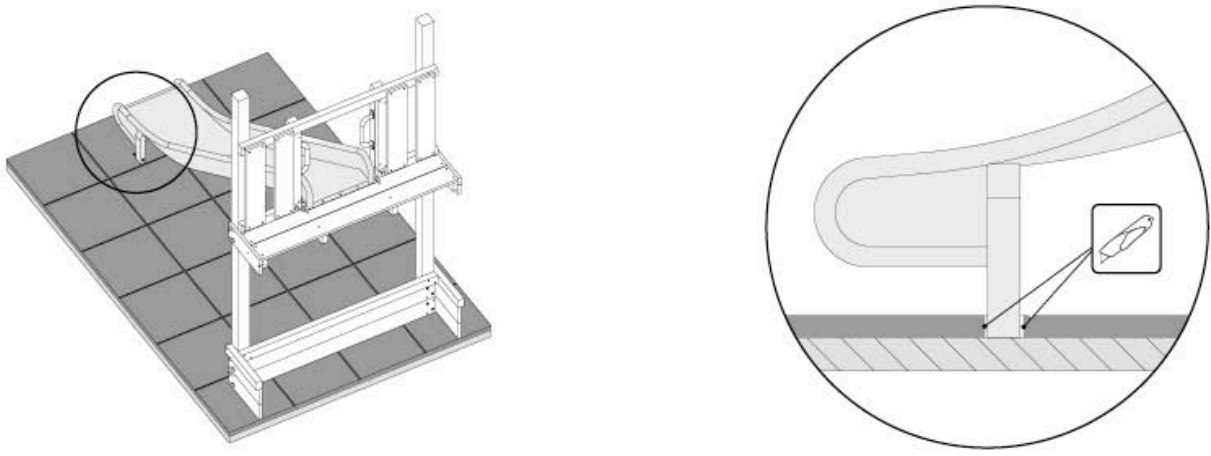
11.3d



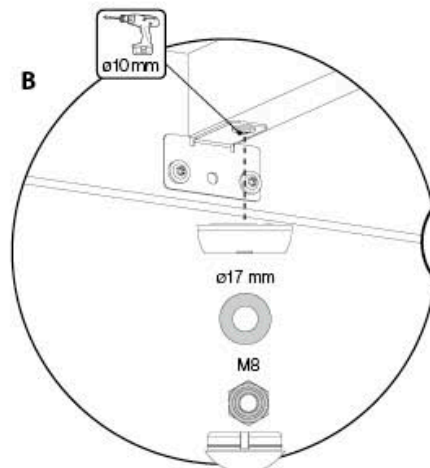
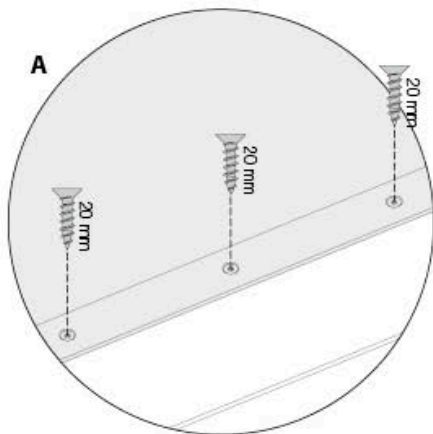
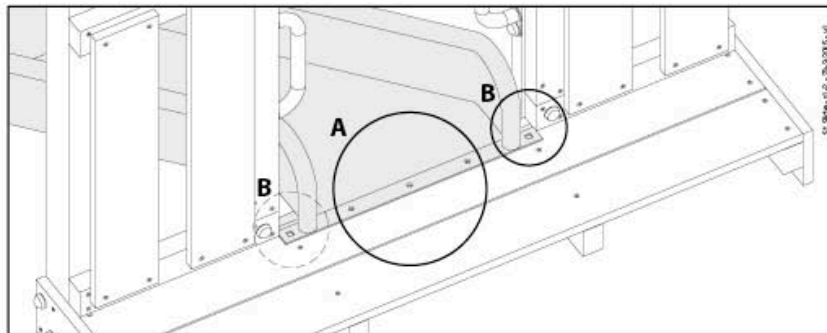
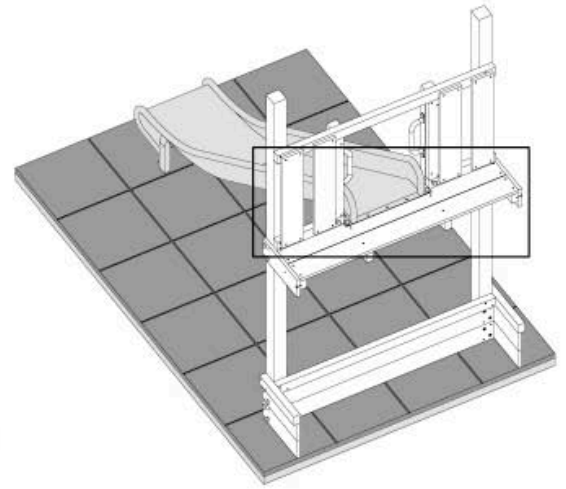
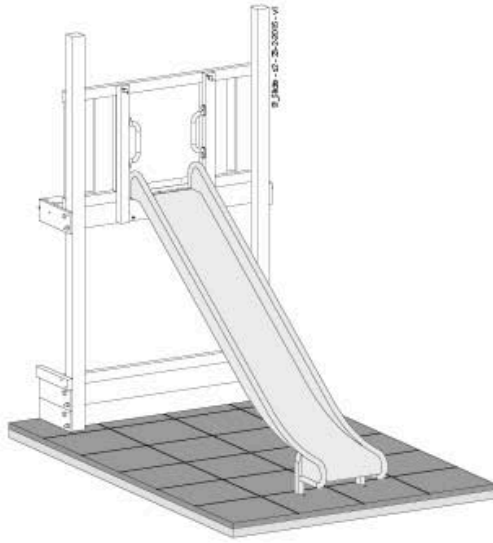
11.4a



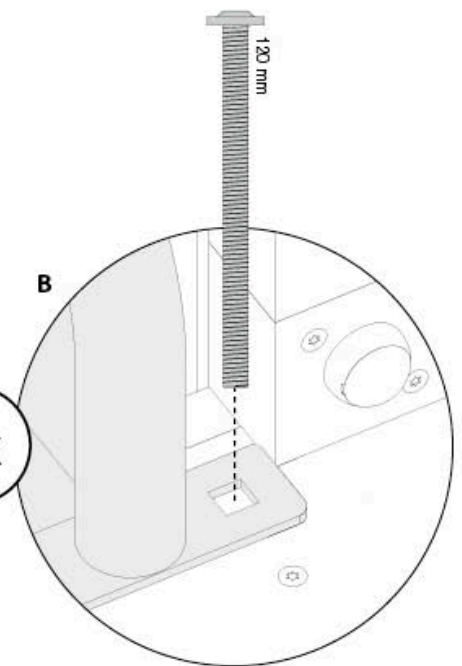
11.4a



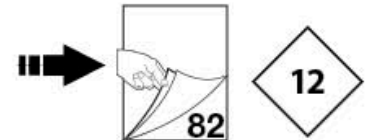
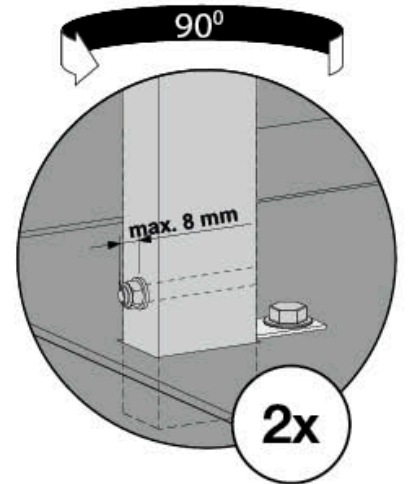
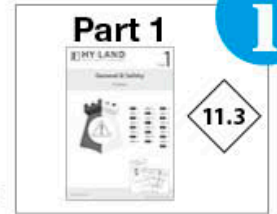
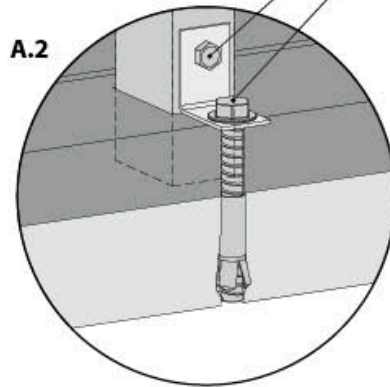
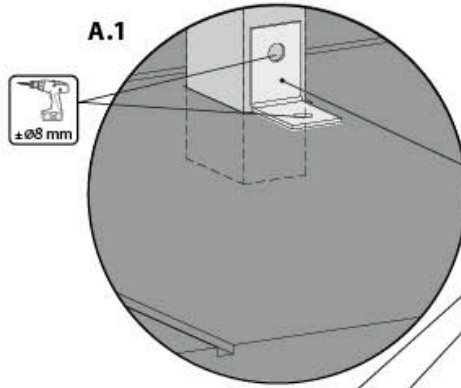
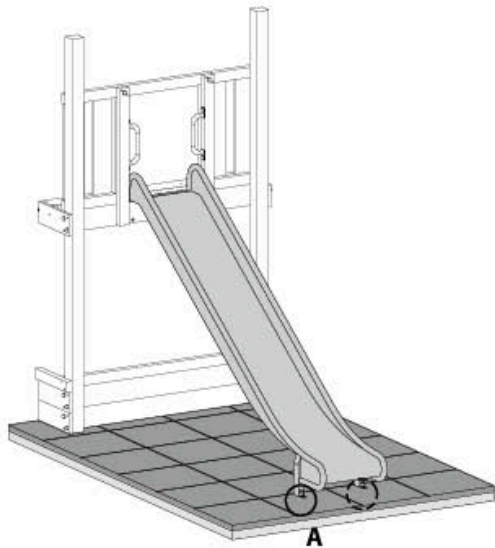
11.4c



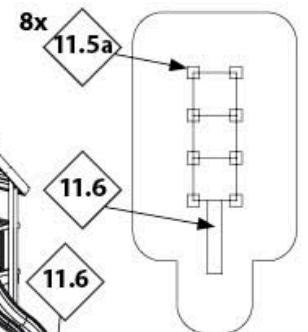
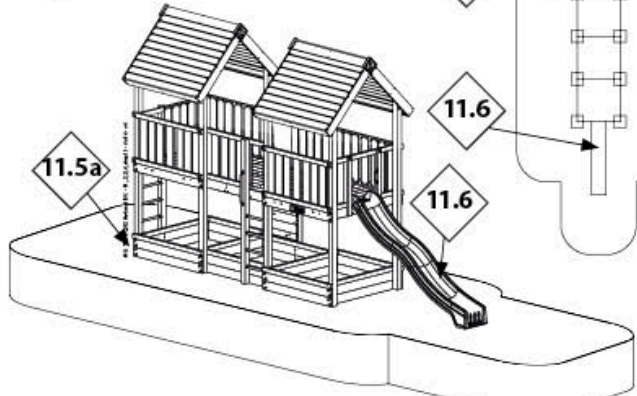
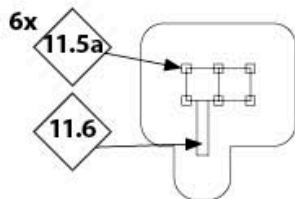
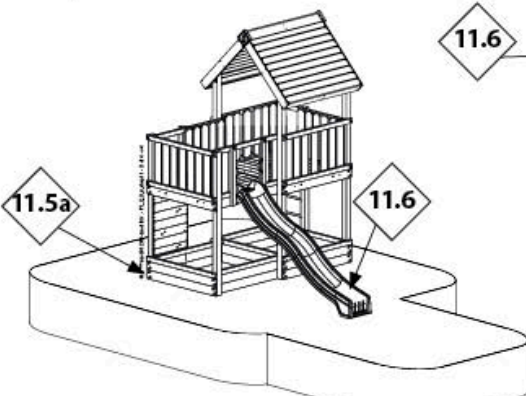
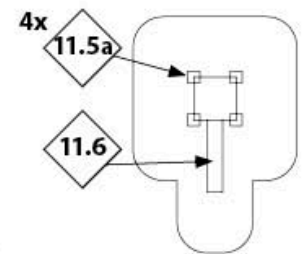
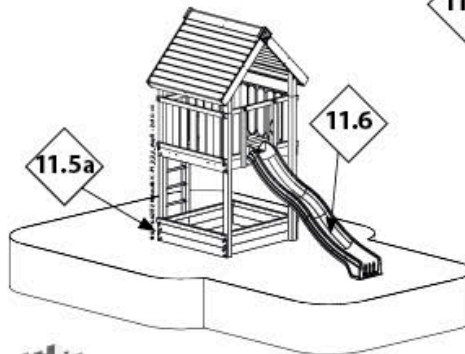
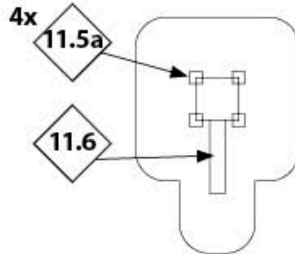
2x



11.4d

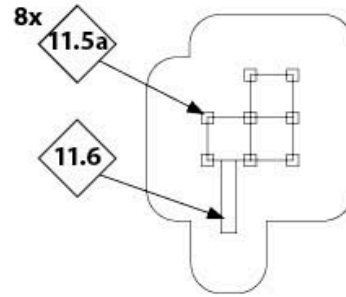
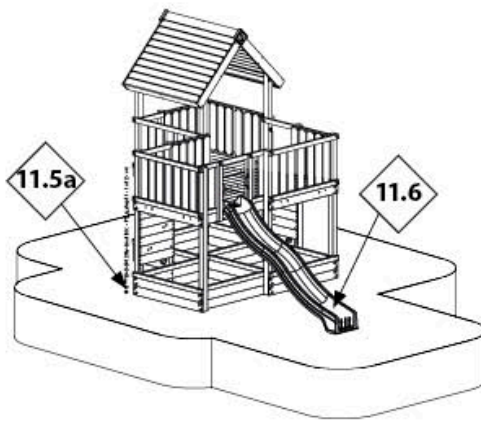


11.5

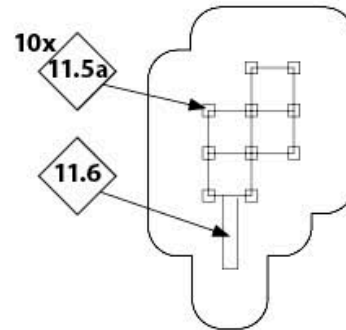
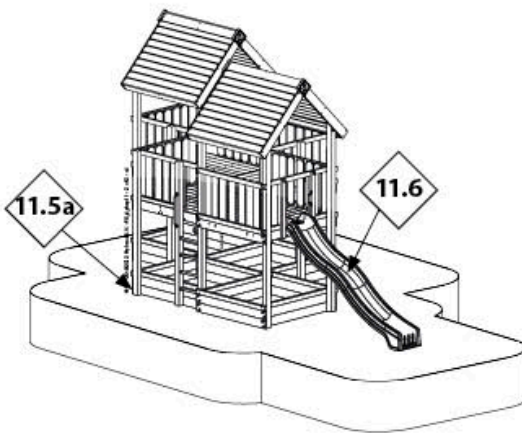


11.5

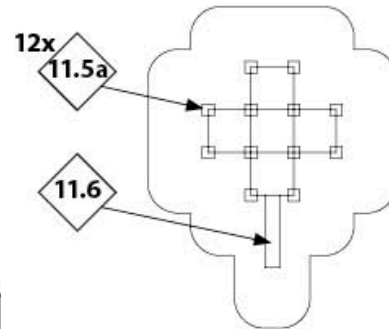
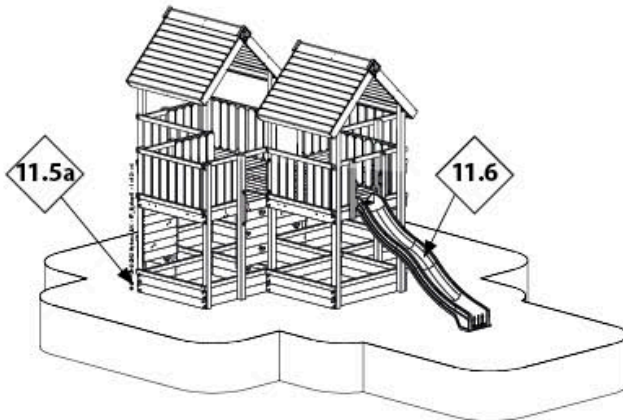
P5



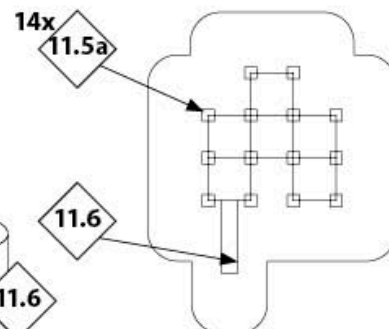
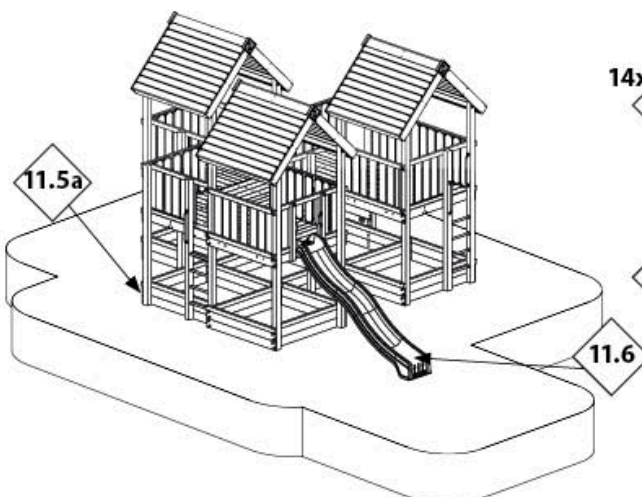
P6



P7



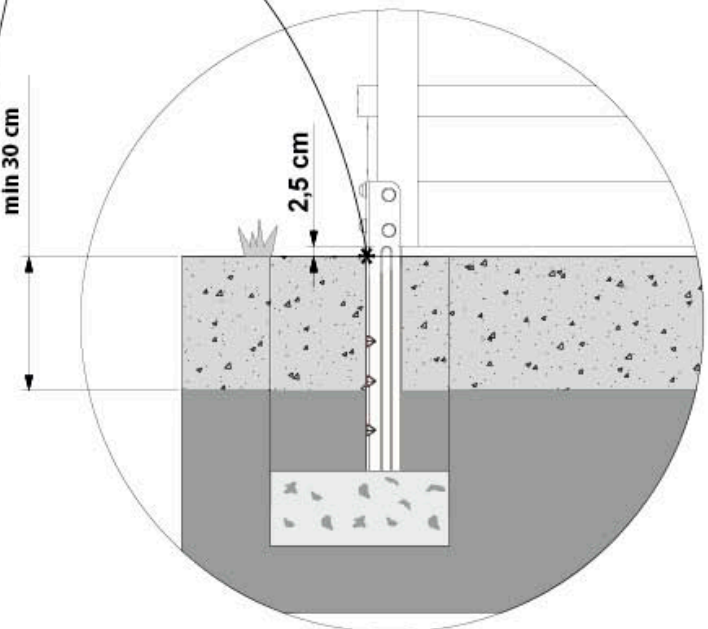
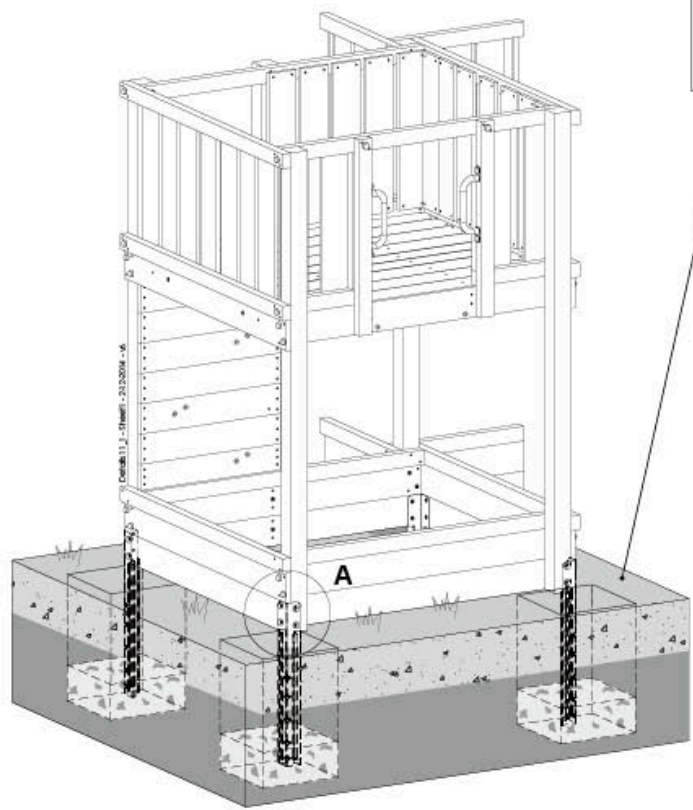
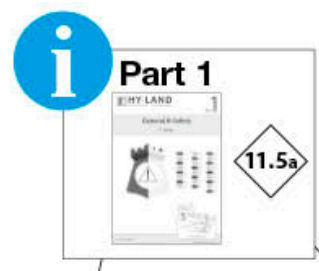
P8



11.5a



10_460_0619_103_26



11.6



Polyethylene Slide

Stainless Steel Slide

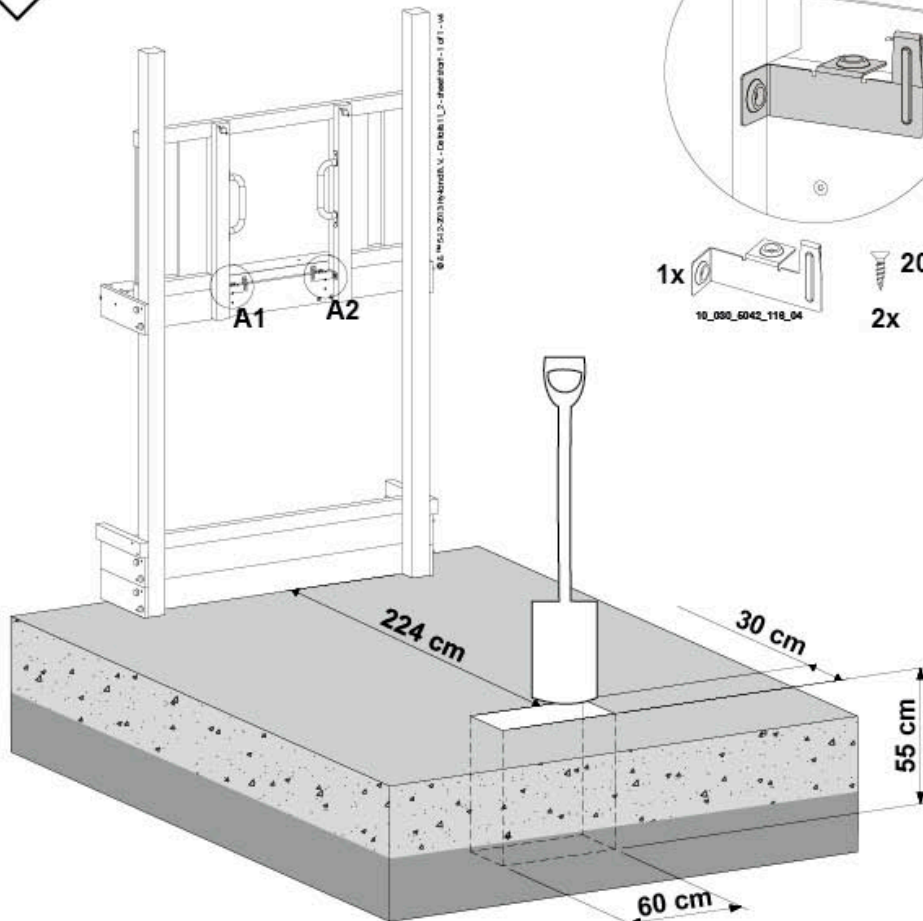


11.7



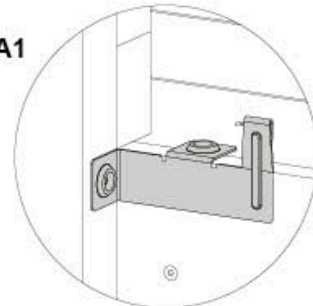
11.8

11.7a



A1

A2

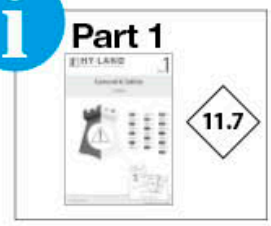


1x 10_090_6042_118_04 2x 20mm

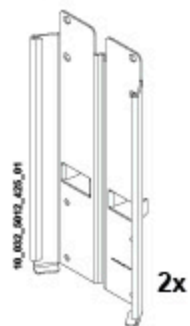
1x 10_090_6042_218_04 2x 20mm



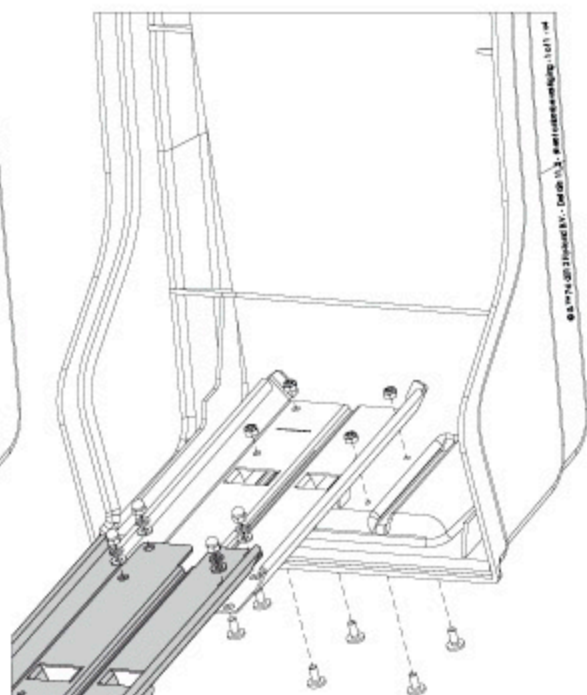
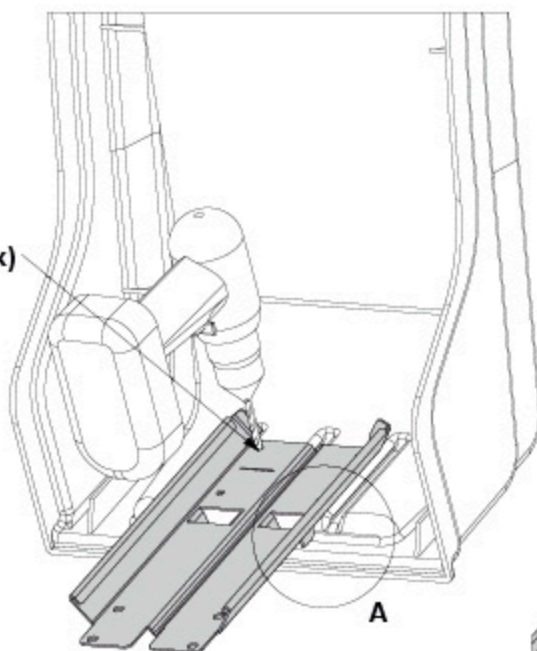
Part 1



11.7b



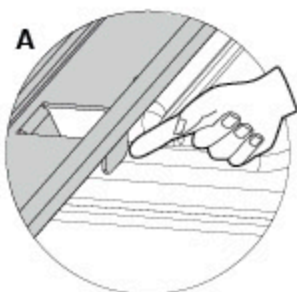
ø8mm (4x)



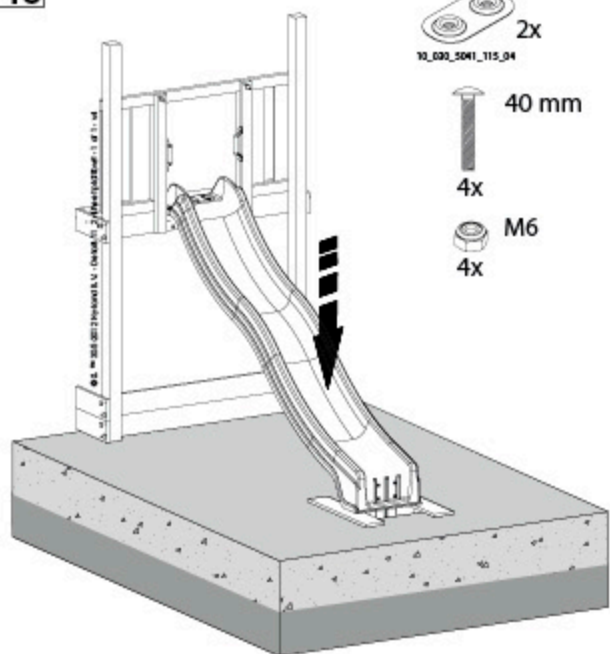
4x



4x



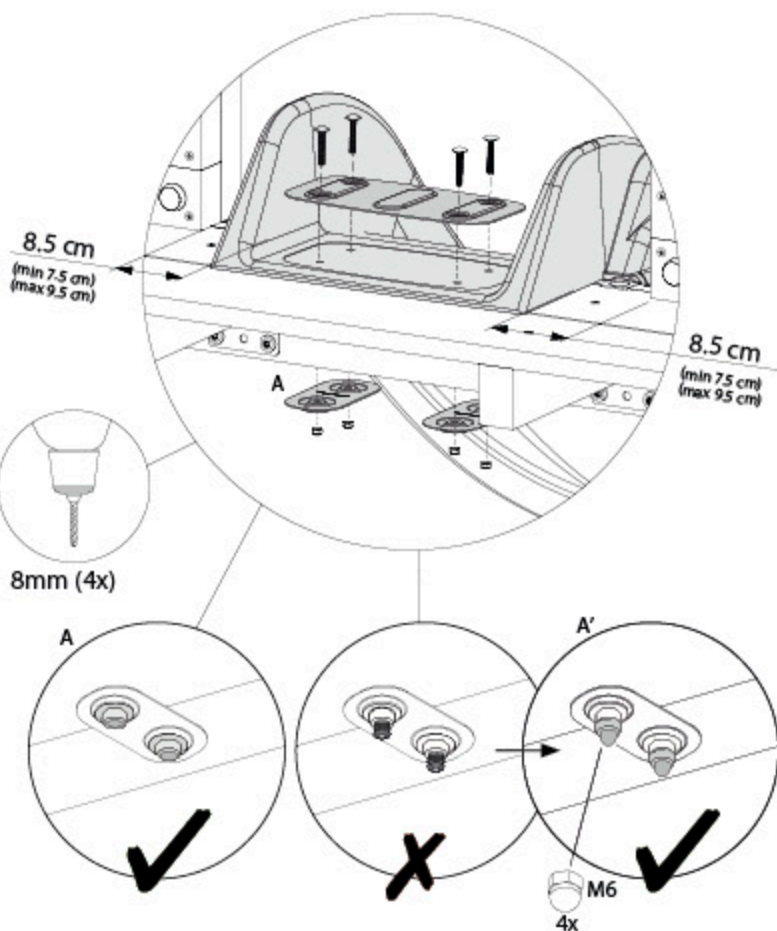
11.7c



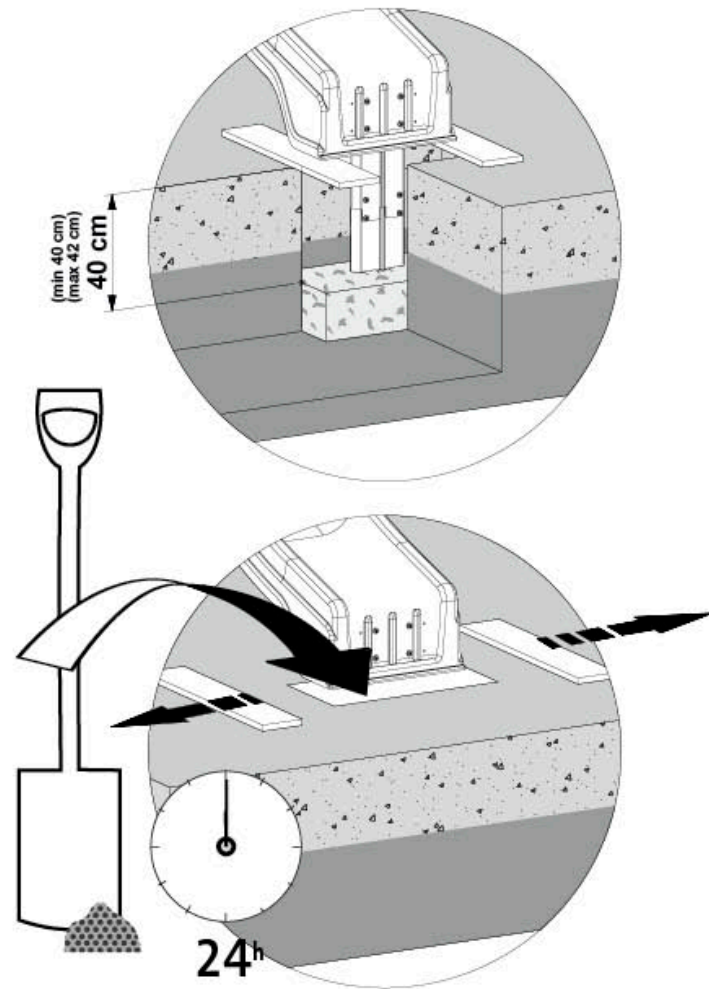
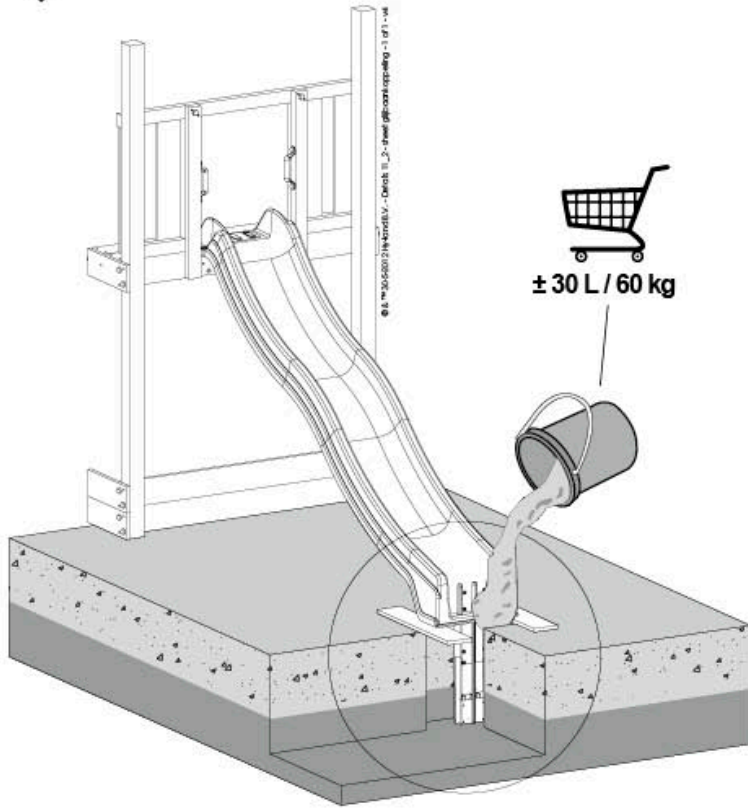
40 mm

M6

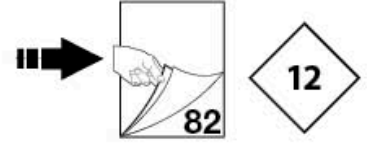
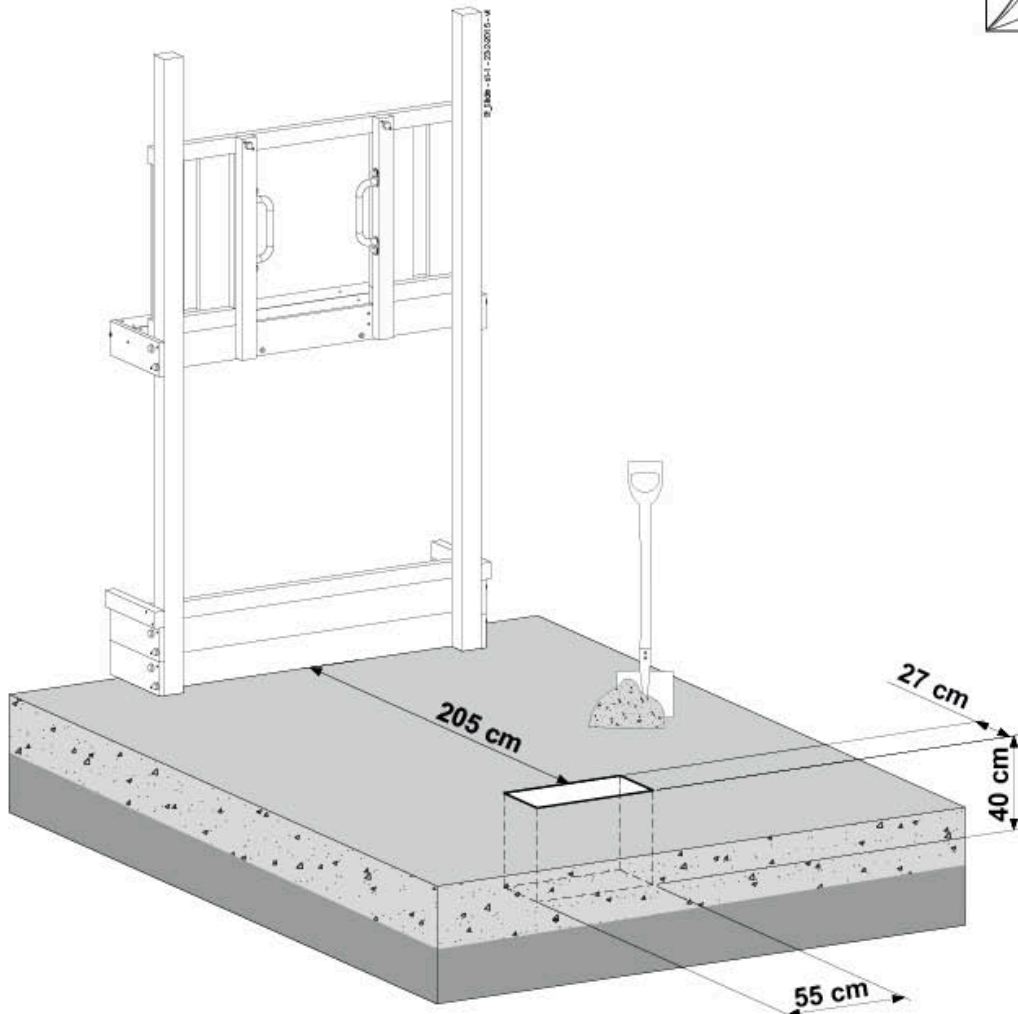
4x



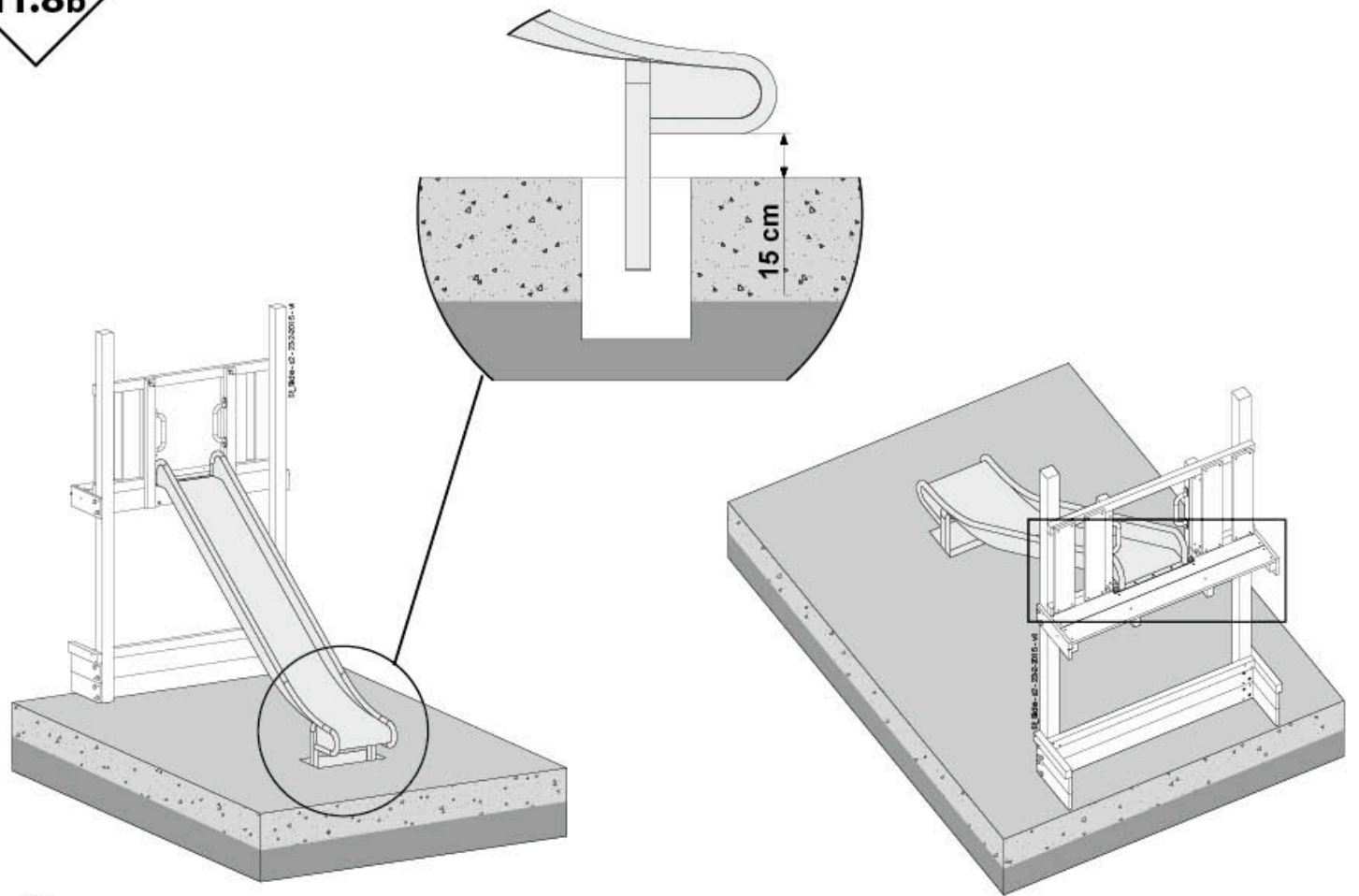
11.7d



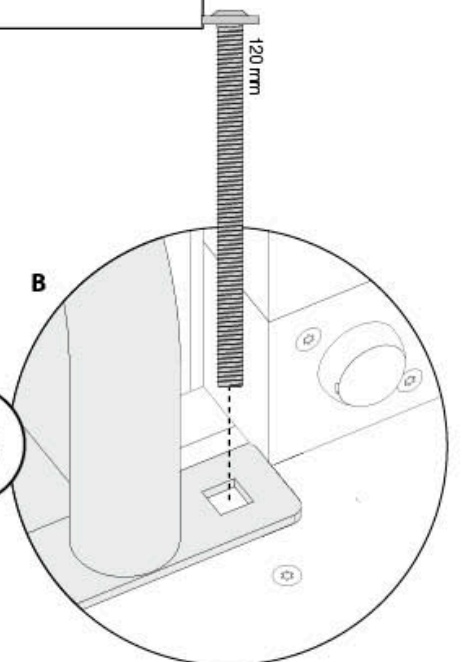
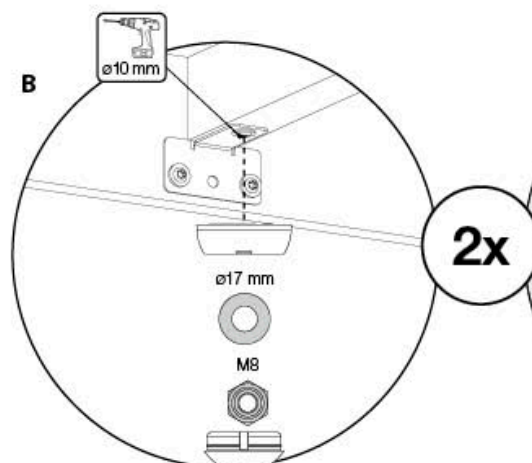
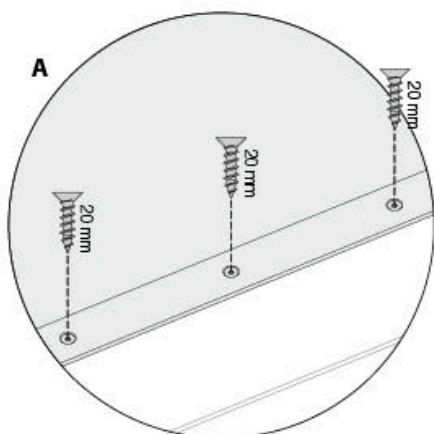
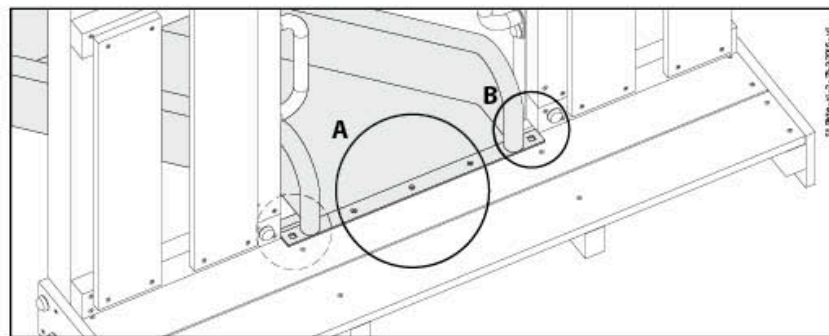
11.8a



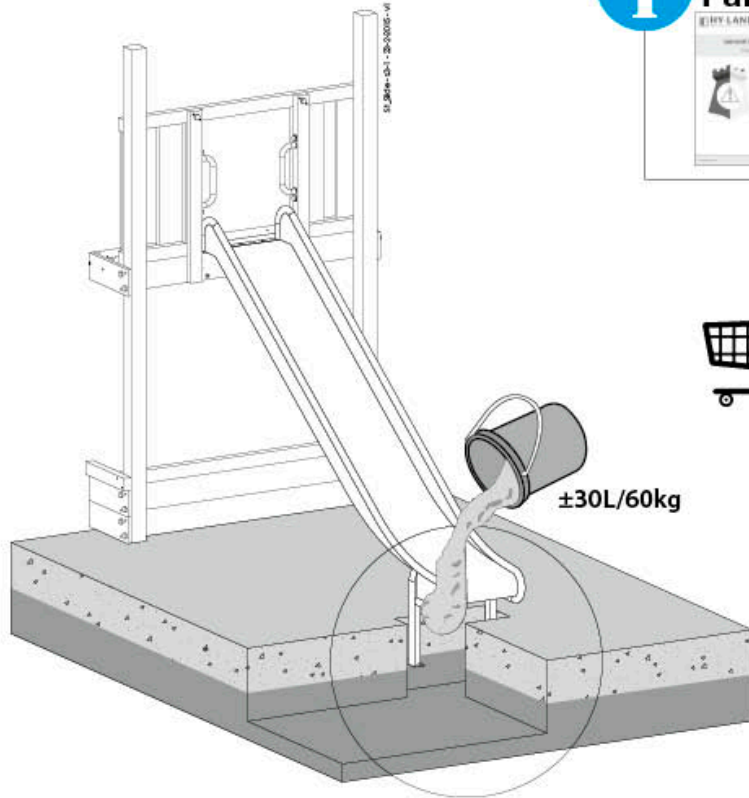
11.8b



11.8c



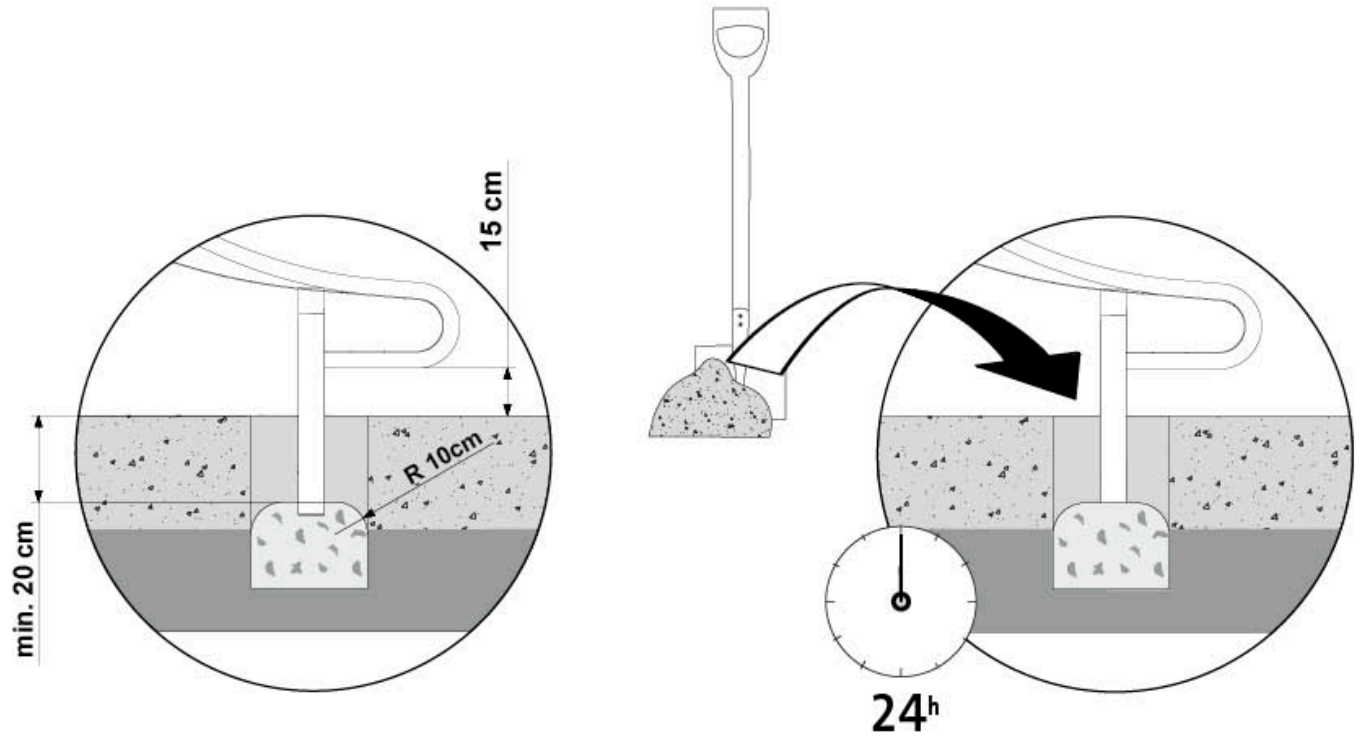
11.8d



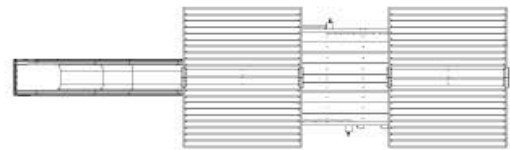
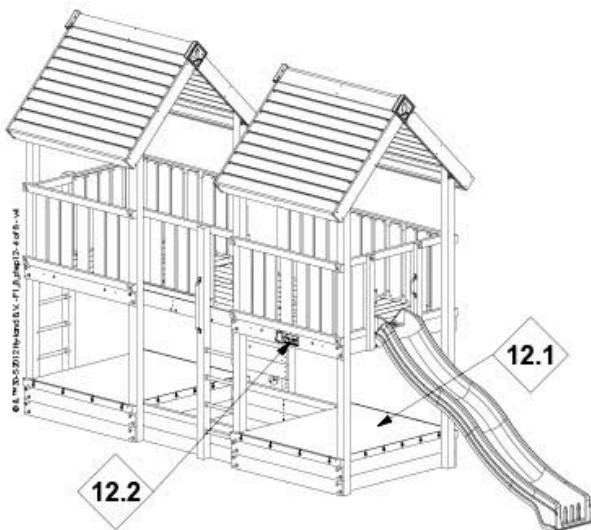
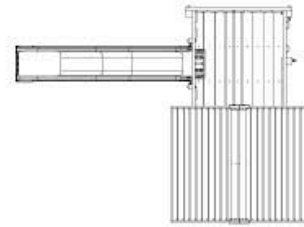
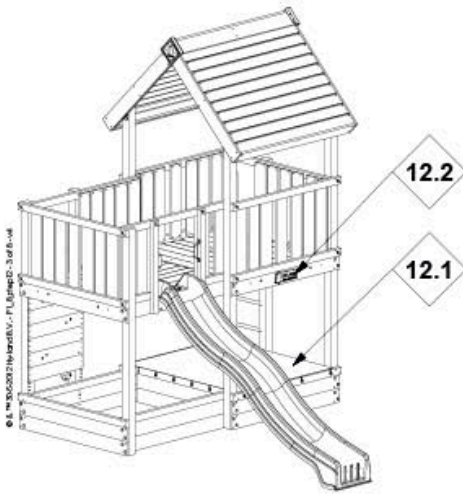
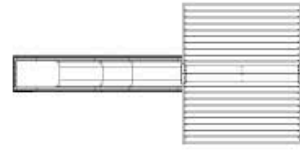
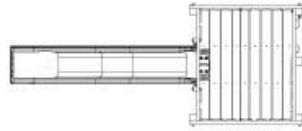
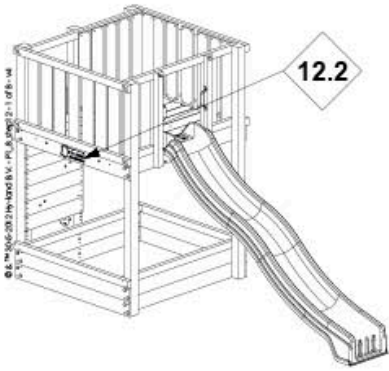
i Part 1
HY-LAND
11.7



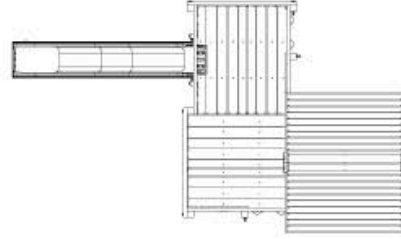
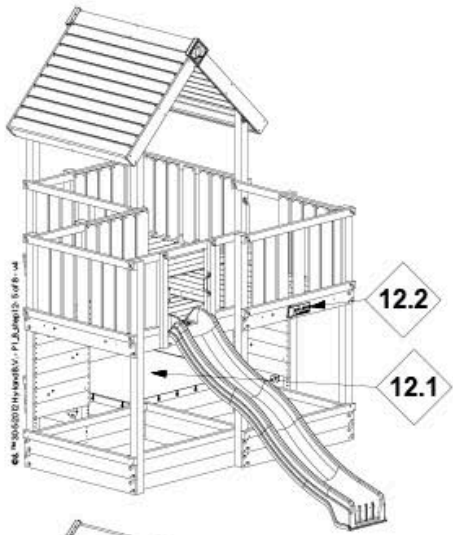
11.8e



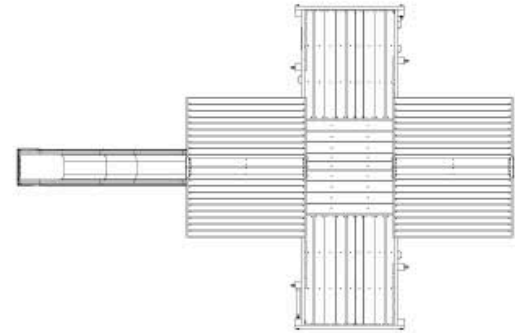
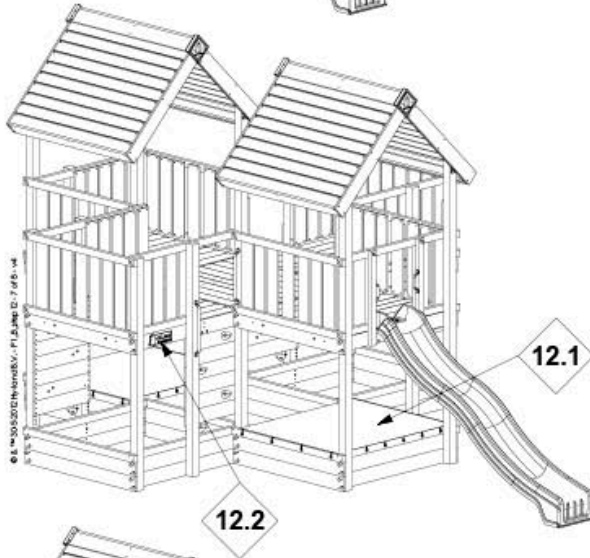
12



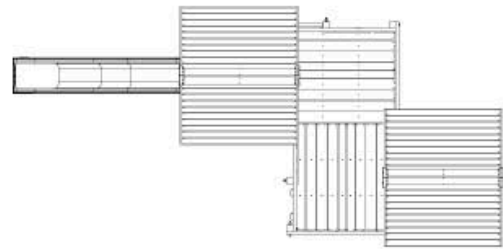
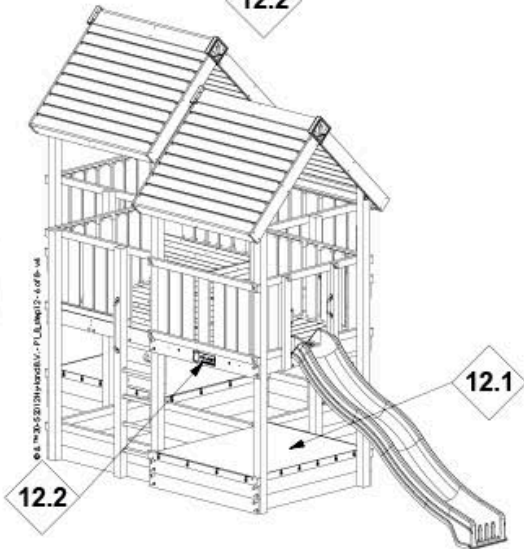
5



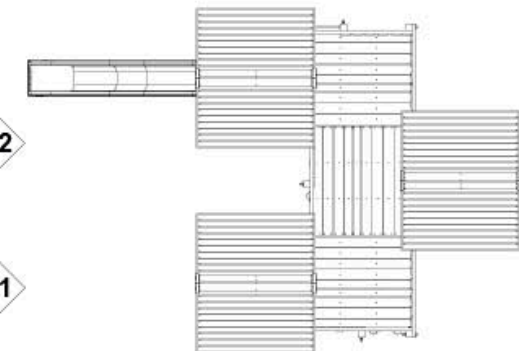
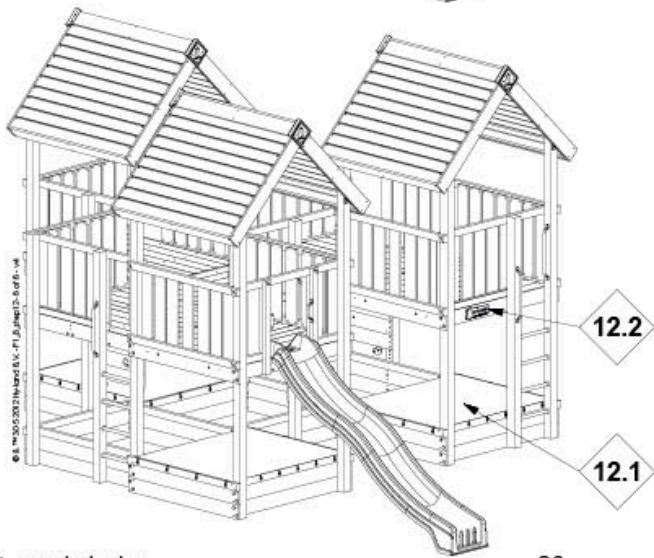
6



7



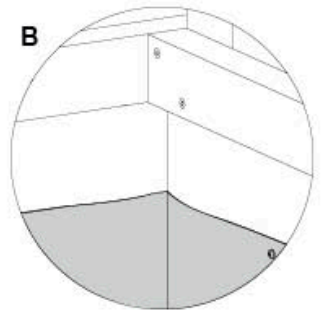
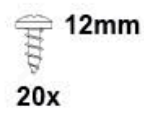
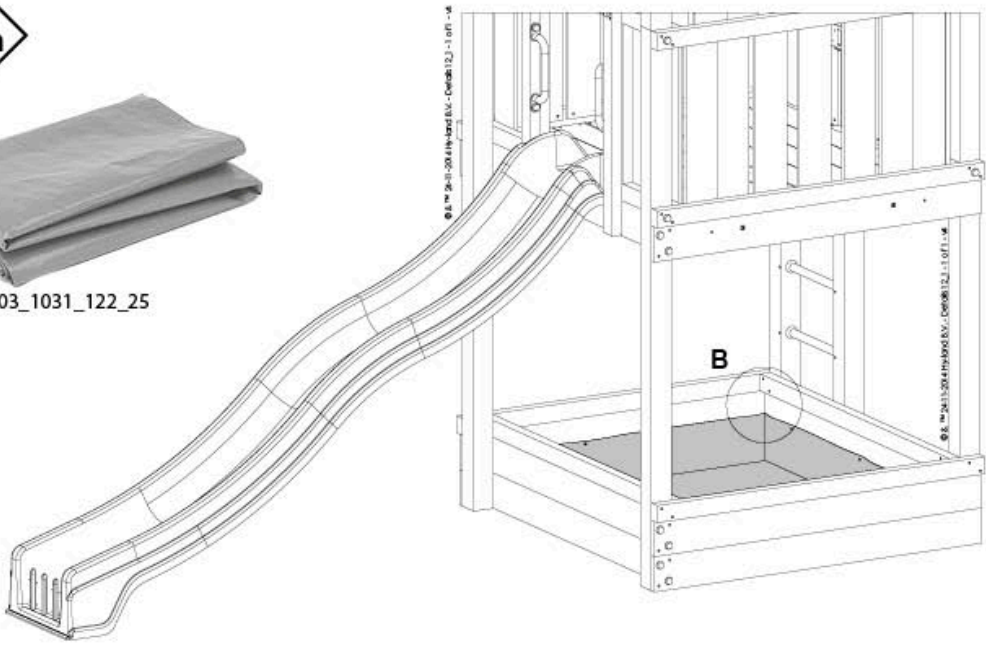
8



12.1a



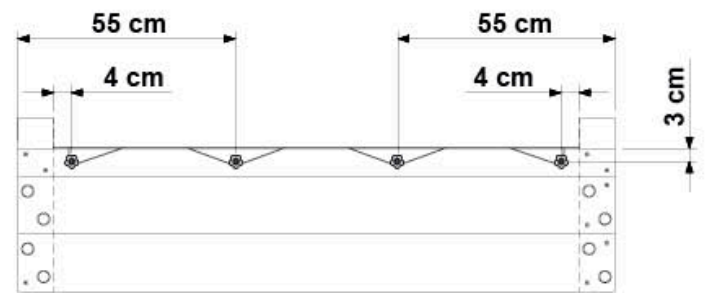
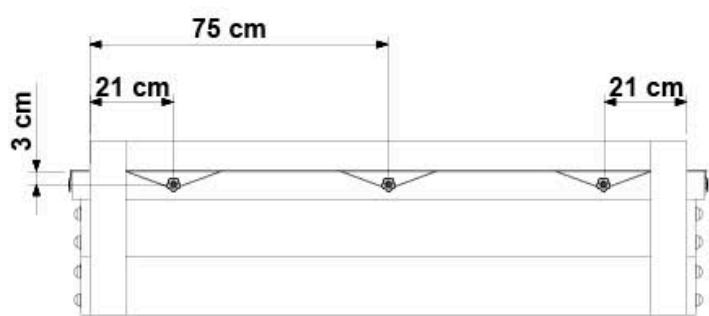
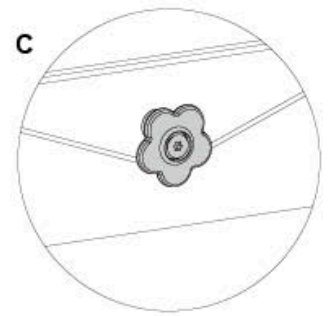
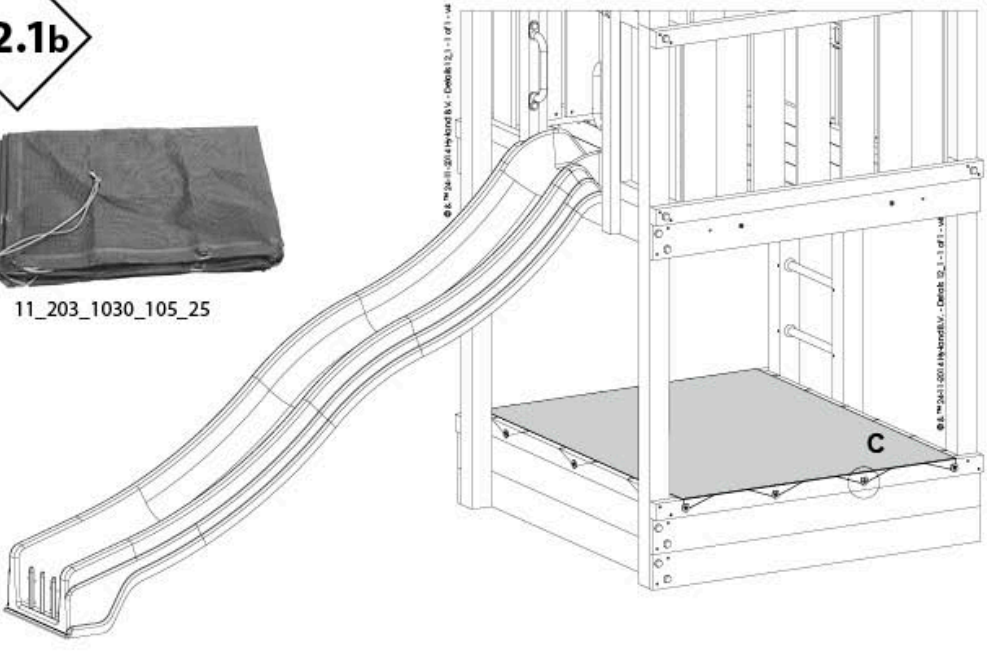
11_203_1031_122_25



12.1b



11_203_1030_105_25





Your Project data

1

2 Project no.

Serial no. Kit

3

Hy-Slide Groen
Hy-Slide Stoof

Naam afzender	Hy-Land B.V.	Naam afnemer	<input type="text"/>
Adres	Herengracht 10	Adres	<input type="text"/>
Postcode	1017 CA Amsterdam	Postcode	<input type="text"/>
Stad	Amsterdam	Stad	<input type="text"/>
Telefoon	020 688 21 01	Telefoon	<input type="text"/>
E-mail	info@hy-land.eu	E-mail	<input type="text"/>

Naam contactpersoon
Adres
Postcode
Stad
Telefoon
E-mail

Naam contactpersoon
Adres
Postcode
Stad
Telefoon
E-mail



P-Kit A
14_001_101_05_XXXX



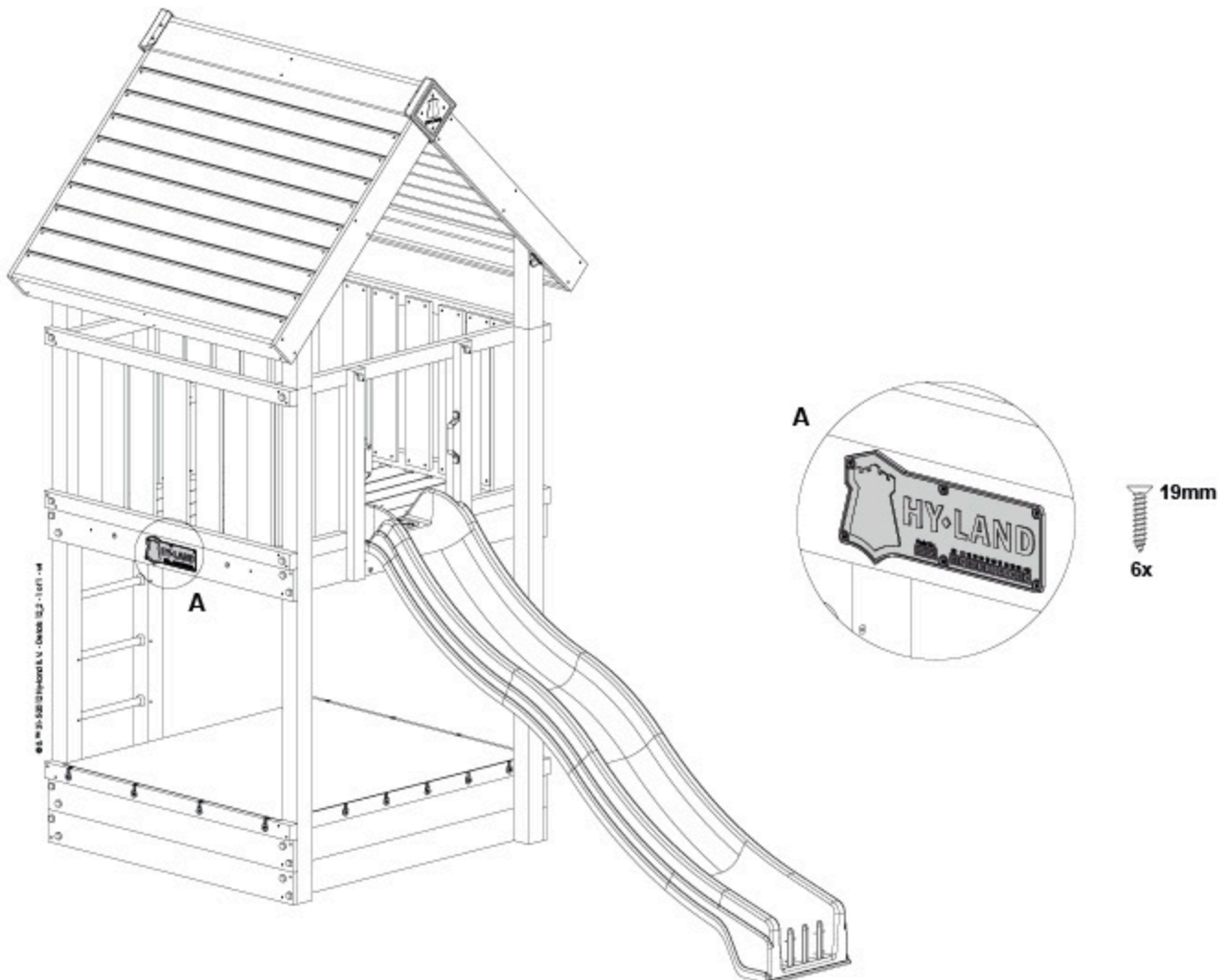
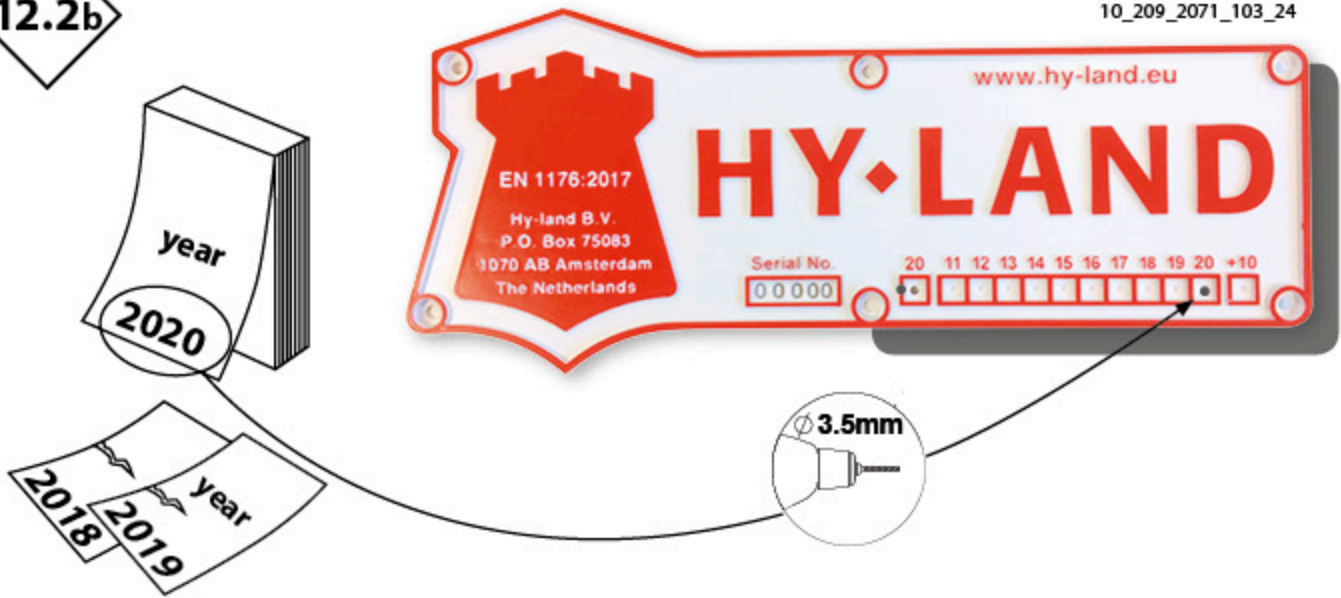
P-Kit B
14_001_101_10_XXXX



P-Kit C
14_303_101_11_XXXX

12.2b

10_209_2071_103_24



Hy-land B.V.
Valschermkade 18
NL - 1059 CD Amsterdam
The Netherlands

Tel : +31 85 444 41 01
Email : info@hy-land.eu
URL : www.hy-land.eu

Chamber of Commerce :
NL 16.078.319

10_460_0019_101_26_0801 AS_Part_3_P - 20190308

